

CRAFTSMAN®

INSTRUCTION MANUAL | GUIDE D'UTILISATION | MANUAL DE INSTRUCCIONES

5 GALLON (18 Liter) WET/DRY VAC

**ASPIRATEUR DE LIQUIDES ET DE POUSSIÈRES
DE 18 Litres (5 GALLONS)**

ASPIRADORA PARA MOJADO/SECO DE 18 Litros (5 GALONES)

CMXEVB179250



**IF YOU HAVE QUESTIONS OR COMMENTS, CONTACT US.
POUR TOUTE QUESTION OU TOUT COMMENTAIRE, NOUS CONTACTER.
SI TIENE DUDAS O COMENTARIOS, CONTÁCTENOS.**

1-888-331-4569

WWW.CRAFTSMAN.COM

Part No. SP7085

Printed in Mexico

Definitions: Safety Alert Symbols and Words

This instruction manual uses the following safety alert symbols and words to alert you to hazardous situations and your risk of personal injury or property damage.

⚠ DANGER: Indicates a hazardous situation which, if not avoided, will result in death or serious injury.

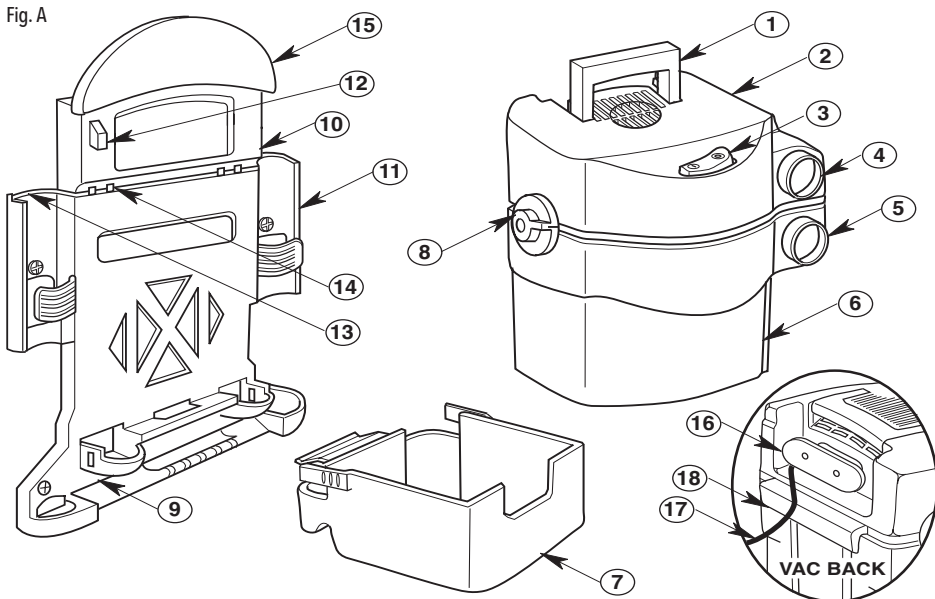
⚠ WARNING: Indicates a hazardous situation which, if not avoided, could result in death or serious injury.

⚠ CAUTION: Indicates a hazardous situation which, if not avoided, may result in minor or moderate injury.

⚠ (Used without word) Indicates a safety related message.

NOTICE: Indicates a practice not related to personal injury which, if not avoided, may result in property damage.

Fig. A



Components

- | | |
|-------------------------|----------------------|
| ① Carry Handle | ⑩ Storage Upper Rack |
| ② Vac Motor Assembly | ⑪ Wand Slots (2) |
| ③ ON/OFF Switch | ⑫ Vac Release Tab |
| ④ Blowing Port | ⑬ Cord Keeper |
| ⑤ Vac Inlet Port | ⑭ Cord Retainer |
| ⑥ Vac Dust Drum | ⑮ Hose Storage Area |
| ⑦ Accessory Storage Bin | ⑯ Cord Wrap Area |
| ⑧ Vac Drum Locks (2) | ⑰ Power Cord |
| ⑨ Storage Lower Rack | ⑱ Vac Upper Hook |

⚠ WARNING: Read all safety warnings and all instructions. Failure to follow the warnings and instructions may result in electric shock, fire and/or serious injury.

⚠ WARNING: Never modify the product or any part of it. Damage or personal injury could result.

⚠ WARNING: To reduce the risk of injury, read the instruction manual.

If you have any questions or comments about this or any product, call CRAFTSMAN toll free at: **1-888-331-4569**.

IMPORTANT SAFETY INSTRUCTIONS

When using this Vac, always follow basic safety precautions including the following:

⚠ WARNING:

To reduce the risk of fire, electric shock, or injury:

- Read and understand this manual and all labels on the Vac before operating.
- Use only as described in this manual.
- Do not leave Vac running while unattended - you may fail to notice important signs indicating abnormal operation such as loss of suction, debris/liquid exiting exhaust, or abnormal motor noises. Immediately stop using Vac if you notice these signs.
- Do not leave Vac when plugged in. Unplug from outlet when not in use and before servicing.
- Sparks inside the motor can ignite flammable vapors or dust. To reduce the risk of fire or explosion, do not use near combustible liquids, gases, or dusts, such as gasoline or other fuels, lighter fluid, cleaners, oil-based paints, natural gas, coal dust, magnesium dust, grain dust, aluminum dust, or gun powder.
- Do not vacuum anything that is burning or smoking, such as cigarettes, matches, or hot ashes.
- To avoid the risk of self-ignition of drum debris, empty drum after each use. Combustible materials, such as rags or saw dust containing stain or urethane, can be sources of such overheating.
- Do not vacuum drywall dust, cold fireplace ash, or other fine dusts with standard filter. These may pass through the filter and be exhausted back into the air. Use a fine dust filter instead.
- To reduce the risk of inhaling toxic vapors, do not vacuum or use near toxic or hazardous materials.
- This Wet/Dry Vac is not intended for use by persons (including children) with reduced physical, sensory, or mental capabilities, or lack of experience and knowledge, unless they have been given supervision or instruction concerning use of the appliance by a person responsible for their safety.
- To reduce the risk of electric shock, do not expose to rain or allow liquid to enter motor compartment. Store indoors.
- Do not allow to be used as a toy. Close attention is necessary when used by or near children.
- Do not use with a torn filter or without the filter installed except when vacuuming liquids as described in this manual. Dry debris ingested by the impeller may damage the motor or be exhausted into the air.
- Turn off Vac before unplugging.
- To reduce the risk of injury from accidental starting, unplug power cord before changing or cleaning filter.
- Do not unplug by pulling on cord. To unplug, grasp the plug, not the cord.
- Do not use with damaged cord, plug, or other parts. If your Vac is not working as it should, has missing parts, has been dropped, damaged, left outdoors, or dropped into water, call customer service at 1-888-331-4569 (Mexico 001-881-331-4569).
- Do not handle plug, switch, or the Vac with wet hands.
- Do not pull or carry by cord, use cord as handle, close a door on cord, or pull cord around sharp edges or corners. Do not run Vac over cord. Keep cord away from heated surfaces.
- Use only extension cords that are rated for outdoor use. Extension cords in poor condition or too small in wire size can pose fire and shock hazards. To reduce the risk of these hazards, be sure the cord is in good condition and that liquid does not contact the connection. Do not use an extension cord with conductors smaller than 1,3 mm² (16 AWG) in size.
- This Vac is double-insulated, eliminating the need for a separate grounding system. Use only identical replacement parts. Read the instructions for Servicing Double-Insulated Wet/Dry Vacs.
- Do not put any object into ventilation openings. Do not vacuum with any ventilation openings blocked; keep free of dust, lint, hair, or anything that may reduce air flow.
- Keep hair, loose clothing, fingers, and all parts of body away from openings and moving parts.
- To reduce the risk of falls, use extra care when cleaning on stairs.
- To reduce the risk of personal injury or damage to Vac, use only CRAFTSMAN recommended accessories.
- Do not mount storage rack over 5 feet (152 cm) from the ground.
- Do not attach screws to drywall only. Make sure screws are attached to studs on 16 inch (41 cm) centers.
- Do not sit or hang on storage rack.
- Do not exceed maximum weight limit of 40 pounds on storage rack.
- When using as a blower:
 - Direct air discharge only at work area.
 - Do not direct air at bystanders.
 - Keep children away when blowing.
 - Do not use blower for any job except blowing dirt and debris.
 - Do not use as a sprayer.
- To reduce the risk of eye injury, wear safety eyewear. The operation of any utility Vac or Blower can result in foreign objects being blown into the eyes, which can result in severe eye damage.

CAUTION:

- To reduce the risk of hearing damage, wear ear protectors when using for an extended time or in a noisy area.
- For dusty operations, wear dust mask.
- Static shocks are common when the relative humidity of the air is low. Vacuuming fine debris with your Vac can deposit static charge on the hose or Vac. To reduce the frequency of static shocks in your home or when using this Vac, add moisture to the air with a humidifier.

Observe the following warnings that appear on the motor housing of your Vac:



DOUBLE INSULATED. GROUNDING NOT REQUIRED. WHEN SERVICING USE ONLY IDENTICAL REPLACEMENT PARTS.

WARNING:

- For your own safety, read and understand Instruction Manual.
- Do not run unattended.
- Do not pick up hot ashes, coals, flammable, combustible / self-igniting, toxic, or other hazardous materials.
- Do not use around explosive liquids or vapors.

WARNING:

To reduce the risk of electric shock - do not expose to rain - store indoors.

FREE WARNING LABEL REPLACEMENT: If your warning labels become illegible or are missing, call **1-888-331-4569** for a free replacement.

SAVE THESE INSTRUCTIONS

INTRODUCTION

This Wet/Dry Vac is intended for household use. It may be used for light vacuuming of wet or dry media. The light weight design allows usage for most small household vacuuming chores.

Read this Instruction Manual to familiarize yourself with the product features and to understand the specific usage of your new Wet/Dry Vac.

TABLE OF CONTENTS

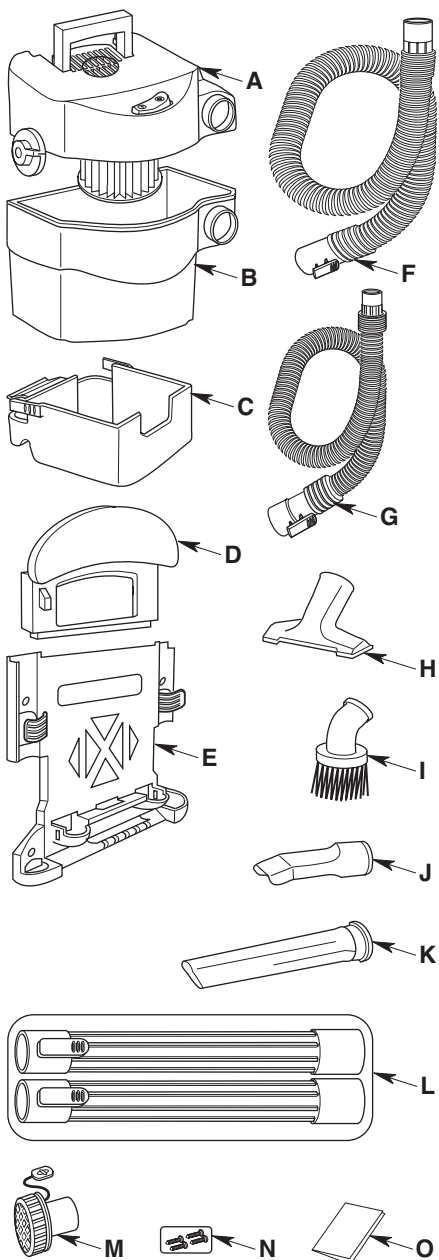
Section	Page	Section	Page
Important Safety Instructions	2-4	Power Switch	13
Introduction	4	Vacuuming Dry Materials	14
Carton Contents	5	Vacuuming Liquids	14
Installation	6-12	Emptying the Drum	14
Assembling Upper & Lower Racks	6	Blowing Feature	15
Assembling Accessory Bin to Lower Rack	6	Maintenance	16-17
Mounting Storage Rack to Wall	7	Filter	16
Vac Assembly	8	Filter Removal	16
Hanging Vac on Storage Rack	9	Filter Installation	16
Insert Hose	10	Filter Cleaning	17
Removing Vac from Storage Rack	10	Cleaning A Dry Filter	17
Accessory Storage	11	Cleaning A Wet Filter	17
Cord Storage	11	Cleaning and Disinfecting the Wet/Dry Vac	17
Diffuser Assembly	11	Storage	17
Hose Storage	12	Service / Repair Parts	18-19
Operation	13-15	Warranty	21
Polarized Plug	13		

CARTON CONTENTS (Fig. B)

Remove entire contents of carton. Check each item against the Carton Contents List.

If any parts are damaged or missing, immediately call Customer Service at 1-888-331-4569 (Mexico 001-881-331-4569).

Fig. B



Key	Description	CMXEVBE179250 5 Gallon (18 Liter)
A	Vac Motor Assembly	1
B	Vac Dust Drum	1
C	Accessory Storage Bin	1
D	Storage Upper Rack	1
E	Storage Lower Rack	1
F	14-Foot (4.3 m) Pos-I-Lock® Hose Assembly	1
G	7-Foot (2.1 m) Pos-I-Lock® Hose Assembly	1
H	Utility Nozzle	1
I	Dusting Brush	1
J	Car Nozzle	1
K	Crevice Tool	1
L	Extension Wands	2
M	Diffuser	1
N	#10 x 1-3/4" (25 mm) Wood Screws	4
O	Instruction Manual	1

Filter may already be assembled.
Replacement Filters are sold as Stock Number:
CMXZVBE38741.

Tools Required:



Phillips Screwdriver

INSTALLATION

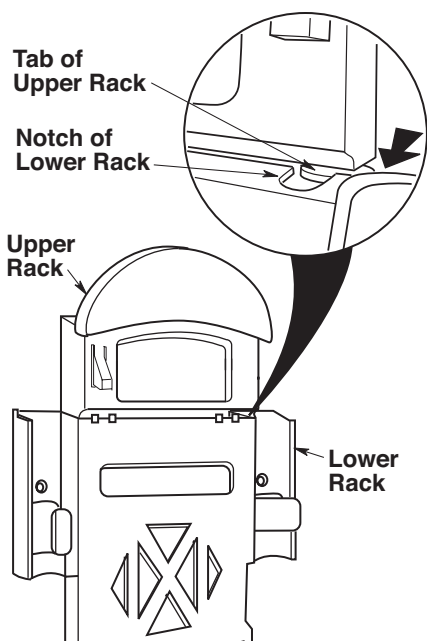
Assembling Upper and Lower Racks (Fig. C)

1. Align the Tabs in the Upper Rack with Notches in Lower Rack.
2. Slide Upper Rack forward until the center Hook on the Lower Rack engages the bottom flange of the Upper Rack. You will hear an audible click when the Lock engages.

⚠ WARNING:

To reduce the risk of fire or electric shock, unplug Vac when not in use. Never leave running while unattended.

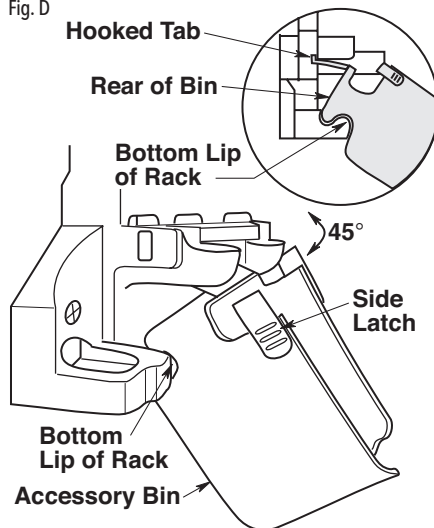
Fig. C



Assembling Accessory Bin to Lower Rack (Fig. D & E)

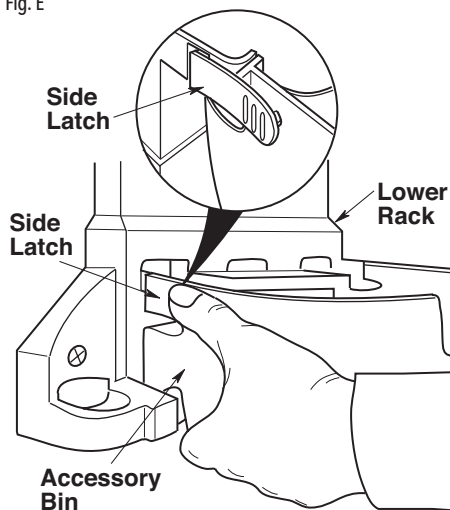
1. With the Accessory Bin angled down approximately 45°, hook the rear of the Bin over the bottom lip on the Rack.

Fig. D



2. Depress Hooked Tab and rotate Accessory Bin up and back until Tab Snaps into the opening in the Lower Rack.
3. Continue to rotate the Bin until the side Latches engage openings in Rack and the Bin is in a horizontal position.

Fig. E

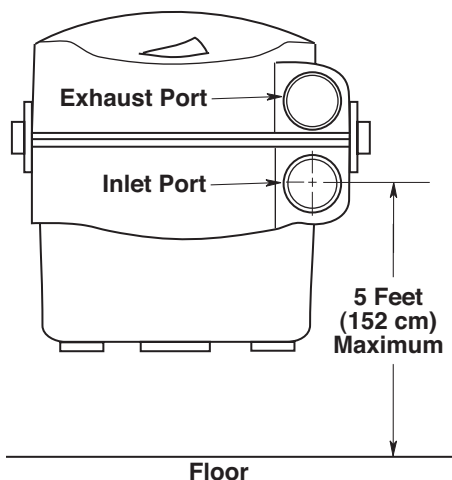


Mounting Storage Rack to Wall (Fig. F)

▲ WARNING:

- Do not mount over 5-feet (152 cm) from the ground.
 - Do not attach Screws to drywall only. Make sure Screws are attached to studs on 16-inch (41 cm) centers.
 - Do not sit or hang on Storage Rack.
 - Do not exceed maximum weight limit of 40 pounds.
1. Choose a location that is indoors and not exposed to rain. For best performance and easy access, position the Storage Rack so the center of the Vacuum Inlet Port is no more than five feet from floor and no more than 18-inches (46 cm) from the electrical outlet.

Fig. F



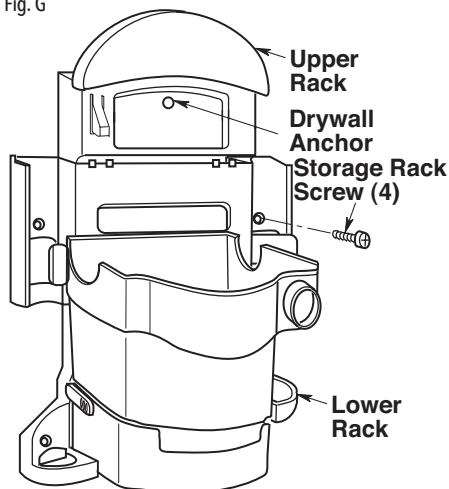
2. The screw holes in the Storage Rack are spaced 16-inches (41 cm) apart to correspond with standard wall stud spacing. Locate two wall studs and position the Storage Rack so that all four screw holes are over the studs.
3. Level the Rack and mark the hole locations. Drill a 1/8-inch (3.2 mm) diameter pilot hole at each location.
4. Attach the Storage Rack to wall studs using the four Screws provided. Make sure all four Screws are driven securely into the wall studs.
5. Use Drywall Anchor (provided) to secure Upper Rack to wall. Drill 1/4-inch (6.5 mm) diameter pilot hole in drywall. Insert Anchor and drive metal head tight against plastic washer.
6. If your wall studs are not located 16-inches (41 cm) apart or the desired location does not align with the wall studs, a 1/2-inch (12.7 mm) thick plywood panel 30-inches wide, must be attached to the studs with the four screws provided.
7. The Storage Rack may then be attached to the plywood panel with five 1-inch (25.4 mm) #10 Pan or Round Head Wood Screws (not provided).

NOTE: Supplied wood screws are intended for mounting to typical wall construction consisting of 5/8-inch (15.9 mm) drywall or less.

▲ CAUTION:

To prevent plywood, Storage Rack, or Wet/Dry Vac from falling, make sure you have selected the proper length of fastener for the secure mounting of storage rack to the wall.

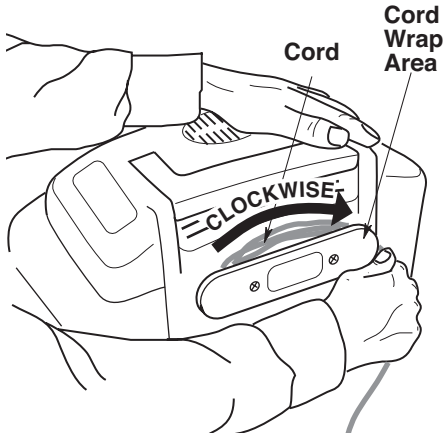
Fig. G



Vac Assembly (Fig. H, I, J & K)

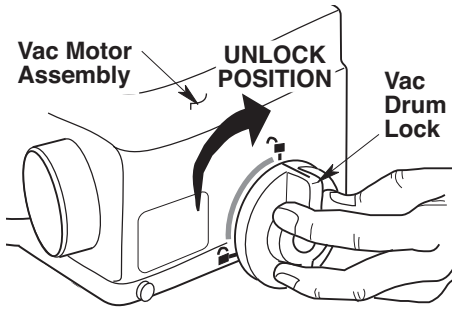
1. Wind the Power Cord clockwise (from the rear) around the Cord Wrap Area on back of Vac Motor Assembly.

Fig. H



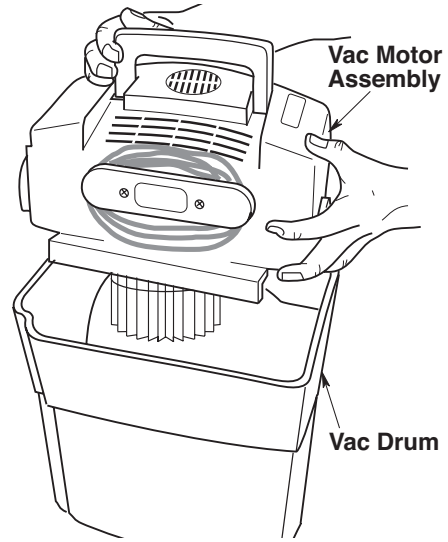
2. Position the Vac Drum Lock in the unlock position.

Fig. I



3. Place Vac Motor Assembly onto Vac Drum Assembly.

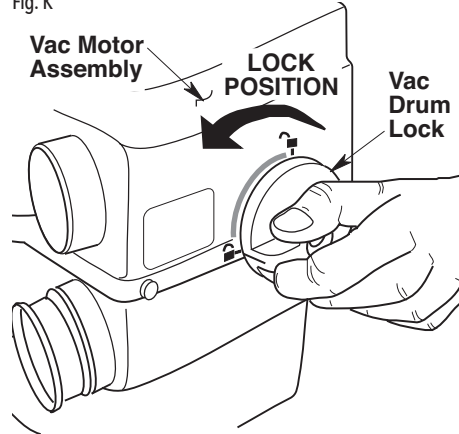
Fig. J



4. Turn Vac Drum Lock into locked position.

NOTE: There is a detent at the end of travel in both the locked and unlocked position. Continue to turn knob until it "clicks" into the desired position. You should feel and hear the "click".

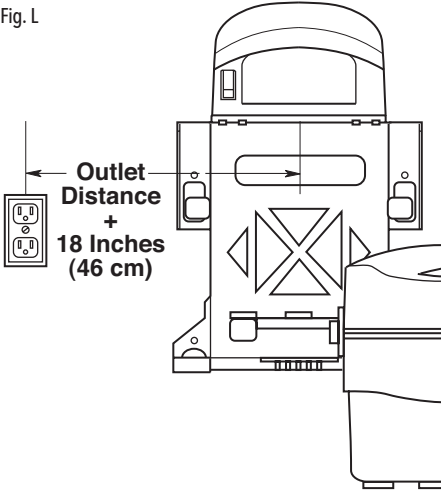
Fig. K



Hangng Vac on Storage Rack (Fig. L, M, N, O & P)

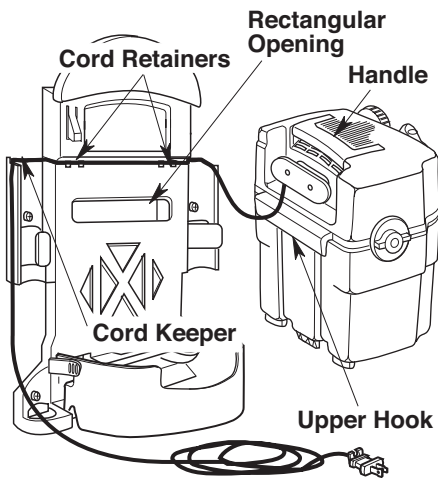
1. Set the Vac on the floor near the Storage Rack. Measure the distance from center of Storage Rack to the closest electrical outlet and add 18-inches (46 cm).

Fig. L



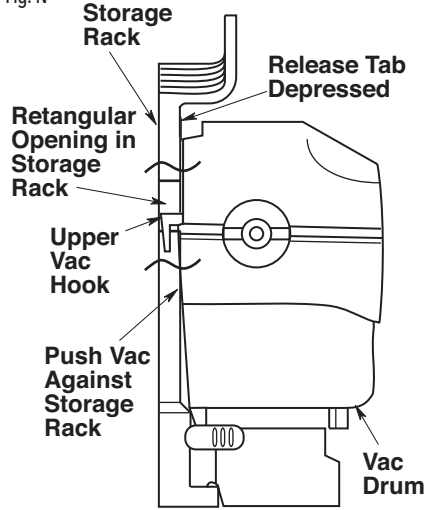
2. Uncoil that amount of Power Cord from the Cord Wrap. Drape the loose Cord over the top of the Vacuum and down the front.
3. Grasp the Handle with one hand and the bottom of the Vac Drum with the other hand. Always lift the Vac with both hands. Lift the Vac up to the Storage Rack.

Fig. M



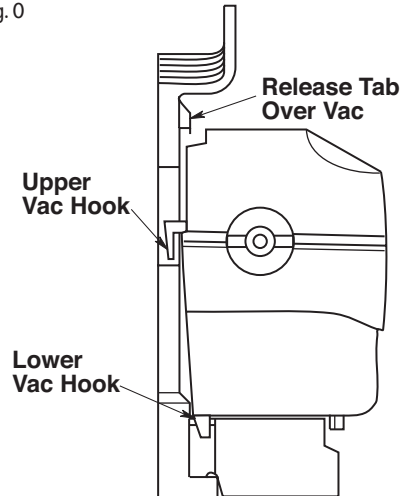
4. Align the Upper Hook on the Vac with the rectangular opening in the Storage Rack. Push the Vac against the Storage Rack.

Fig. N



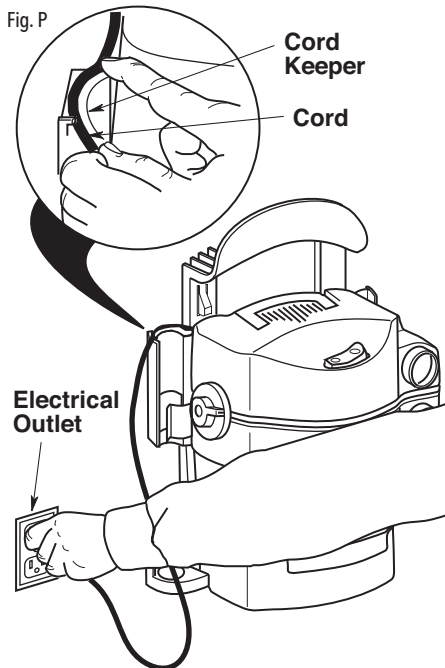
5. Lower the Vac until the Upper Vac Hook and Lower Hook are engaged and the bottom of the Vac Drum rests on the Rack. The Release Tab will pop out over top of Vac.

Fig. O



6. Snap the Power Cord into the Cord Retainers in the front surface of the Rack and loop around the Cord Keeper behind the Wand Storage Area.

The Cord may exit on either the left or right side. Plug the Power Cord into the electrical outlet. Do not fasten Power Cord to wall in any way.

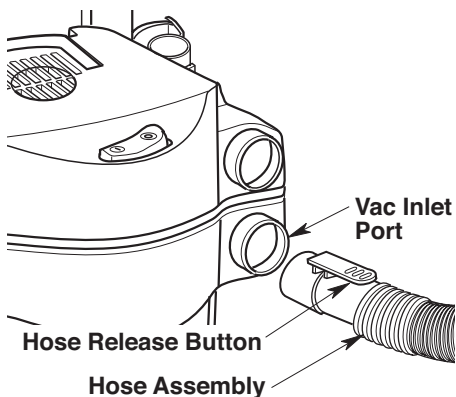


Insert Hose (Fig. Q)

Insert the Hose Locking End of the Hose into the Vac Inlet Port. The Hose should snap into place.

To Remove the Hose from the Vac, press the Release Button in the Hose Assembly and pull the Hose out of the Vac Inlet Port, as shown.

Fig. Q



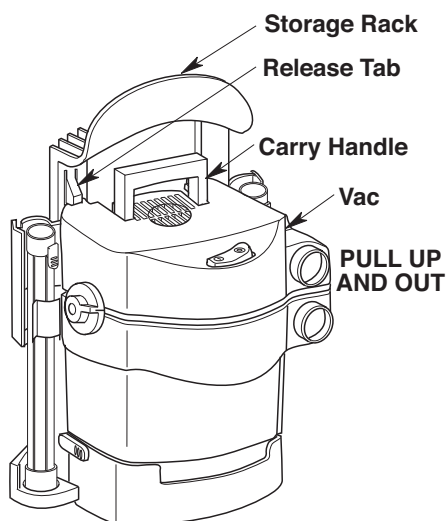
Removing Vac from Storage Rack (Fig. R)

⚠ WARNING:

Unplug Vac and remove power cord from rack before removing Vac.

1. With your right hand, raise the Carry Handle.
2. With your left hand, depress the Release Tab located on the upper left corner of the Storage Rack.
3. Lift up on the Carry Handle, and pull the Vac up and out of the Storage Rack.

Fig. R

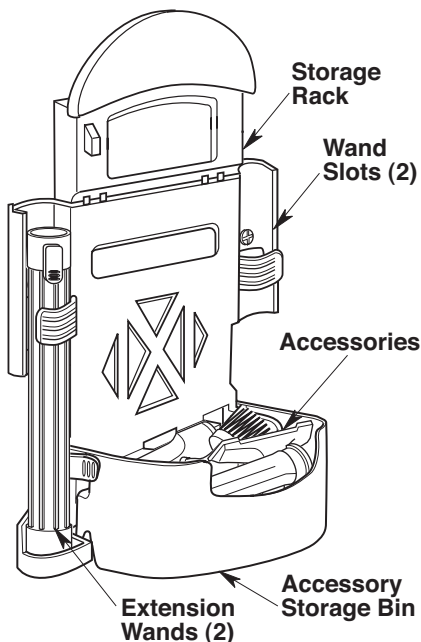


Accessory Storage (Fig. S)

The Accessories: Utility Nozzle, Dusting Brush, Car Nozzle, and the Crevice Tool, may be stored at the bottom of the Storage Rack, in the Accessory Storage Bin.

The Two Extension Wands may be stored in the Wand Slots, located on either side of the Storage Rack.

Fig. S



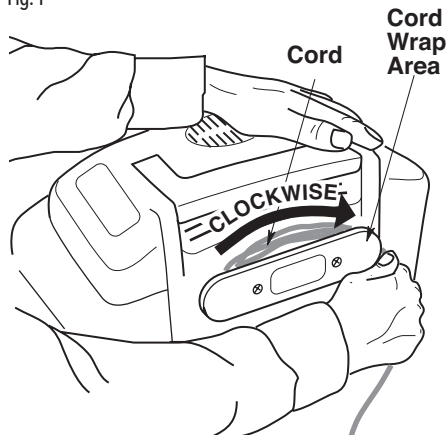
Cord Storage (Fig. T)

When your Wet/Dry Vac is not in use, it should be unplugged from the outlet.

1. Wind the Power Cord clockwise (from the rear) around the Cord Wrap area on back of Vac Motor Assembly.
2. To secure the cord, Snap the Power Cord into the Cord Clip.

NOTE: The entire length of the cord should be wound around the Cord Wrap Area to eliminate any tripping hazard created by a loosely hanging cord.

Fig. T

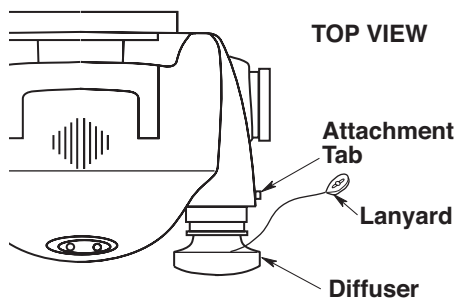


Diffuser Assembly (Fig. U)

Connect the Lanyard to the Attachment Tab on the Vac Motor Assembly to keep the Diffuser attached to Vac when using the Blower Port.

The Diffuser Cap can be used in the Exhaust Port of the Wet/Dry Vac. Installing the Diffuser Cap will allow you to diffuse the exhaust air in any direction and reduce the intensity of the exhaust force.

Fig. U



Hose Storage (Fig. V & W)

Wrap the Pos-I-Lock® Hoses around the Upper Storage Rack and around the Wet/Dry Vac unit, as shown.

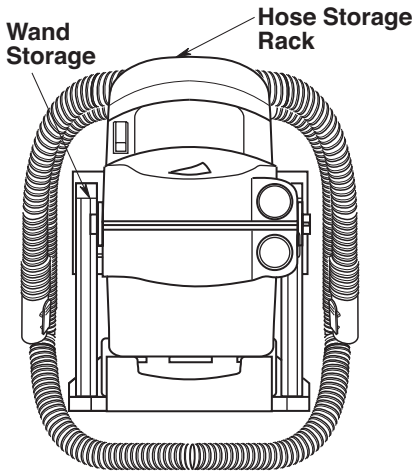
⚠ CAUTION:

Do not operate vacuum while the hose is still wrapped around the powerhead assembly in the storage position.

⚠ WARNING:

Do not put any object into ventilation openings. Do not vacuum with any ventilation openings blocked; keep free of dust, lint, hair or anything that may reduce air flow.

Fig. V



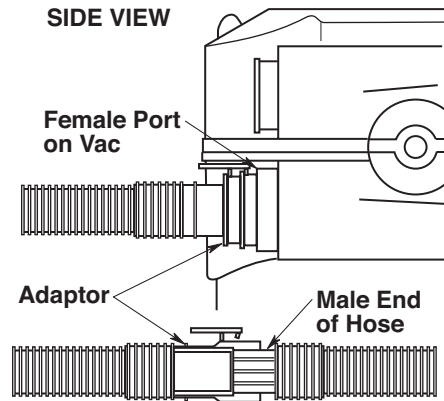
NOTE: The Pos-I-Lock® Hose has an Adaptor that can be used to connect the Hose to the Female Port on the Vac or to the Male End of another Hose. Both 7-foot (2.1 m) and 14-foot (4.3 m) Hoses can be used either connected together or independently from one another.

The 14-foot (4.3 m) Hose has a Locking Adaptor at one end that will connect to the Vac, and a Friction Fit Connector at the other end, which will connect to all the 1-7/8-inch (2.5 cm) Accessories or a Second Hose.

The 7-foot (2.1 m) Hose has a Locking End at both ends of the Hose. The larger of these Ends is sized to connect to the Vac or to the Friction Fit End of the 14-foot (4.3 m) Hose and the smaller of these Ends is sized to Lock to all the 1-7/8-inch (2.5 cm) Accessories.

To connect these Two Hoses together, first connect the 14-foot (4.3 m) Hose to the Wet/Dry Vac. Next connect the 7-foot (2.1 m) Hose to the 14-foot (4.3 m) Hose by inserting the Friction End of the longer Hose into the larger Locking End of the shorter Hose. This will create a Friction Connection.

Fig. W



OPERATION

⚠ WARNING:

To reduce the risk of fire, explosion, or damage to Vac:

- Do not leave Vac running while unattended - you may fail to notice important signs indicating abnormal operation such as loss of suction, debris/liquid exiting the exhaust, or abnormal motor noises. Immediately stop using Vac if you notice these signs.
- Do not leave Vac plugged in when not in use.
- Do not continue running when float has cut off suction.
- Sparks inside the motor can ignite airborne flammables. Do not operate Vac near flammable liquids or in areas with flammable gases, vapors, or explosive/airborne dust. Flammable liquids, gases, and vapors include: lighter fluid, solvent-type cleaners, oil-based paints, gasoline, alcohol, and aerosol sprays. Explosive dusts include: coal, magnesium, aluminum, grain, and gun powder.
- Do not vacuum up explosive dusts, flammable liquids, or hot ashes.
- Do not leave sawdust or rags with stain or polyurethane residue inside Vac. Empty drum after picking up these potentially self-heating materials.

⚠ WARNING:

To reduce the risk of electric shock or injury:

- Do not expose to rain or allow liquid to enter motor compartment. Store indoors.
- Do not handle plug, switch, or Vac with wet hands.
- Unplug Vac before servicing. If your Vac is not working as it should, has missing parts, has been dropped, damaged, left outdoors, or dropped into water, call customer service at 1-888-331-4569 (Mexico 001-881-331-4569).
- When using an extension cord, use only outdoor-rated cords that are in good condition. Do not allow the connection to come into contact with liquid.

⚠ CAUTION:

To reduce the risk of hearing damage, wear ear protectors when using the Vac/Blower for an extended time or in a noisy area.

Polarized Plug

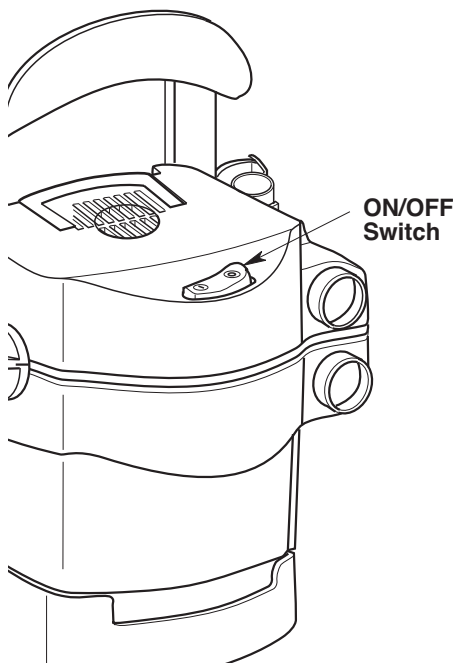
To reduce the risk of electric shock, this Vac has a Polarized Plug (one blade is wider than the other). This Plug will fit in a Polarized Outlet only one way. If the Plug does not fit fully in the Outlet, reverse the Plug. If it still does not fit, contact a qualified electrician to install the proper Outlet. Do not change the Plug in any way.

Power Switch (Fig. X)

After you Plug the Power Cord into the Outlet, turn the Unit on by pushing the Switch from position "O" to position "I". The symbols used on the Switch Actuator are International "On & Off" Symbols:



Fig. X



Vacuuming Dry Materials

1. The Filter must always be in correct position to reduce the risk of leaks and possible damage to Vac.
2. When using your Vac to pick up very fine dust, it will be necessary for you to empty the Drum and clean the Filter at more frequent intervals to maintain peak Vac performance.

NOTE: A dry Filter is necessary to pick up dry material. If you use your Vac to pick up dust when the Filter is wet, the Filter will clog quickly and be very difficult to clean. Dry the Filter before storing.

Vacuuming Liquids

⚠ WARNING:

Do not operate without filter cage and float, as they prevent liquid from entering the impeller and damaging the motor. For dry material pick-up, do not operate without the filter in place to reduce the risk of damage to the motor.

⚠ WARNING:

To reduce the risk of fire or explosion, do not vacuum flammable or combustible liquids, gases or dust.

1. When picking up small amounts of liquid the Filter may be left in place.
2. When picking up large amounts of liquid, it is recommended, that the Filter be removed. If the Filter is not removed, it will become saturated and misting may appear in the exhaust.
3. When picking up large amounts of liquid, it is recommended that you remove the Vac from the storage rack and place it on the floor. When full of water the Vac will weigh approximately 40 pounds and may be difficult to remove from the storage rack. Always empty Vac immediately after picking up liquids.
4. When the liquid in the Drum reaches a predetermined level, the float mechanism will rise automatically to cut off air-flow. When this happens, turn off the Vac, unplug the Power Cord, and empty the Drum. You will know that the Float has risen because Vac airflow ceases and the motor noise will become higher in pitch, due to increased motor speed.

5. After using the Vac to pick up liquids, the Filter must be dried to reduce the risk of possible mildew and damage to the Filter.

IMPORTANT: To reduce the risk of damage to the Vac do not run Motor with Float in raised position.

Emptying the Drum (Fig. Y)

⚠ WARNING:

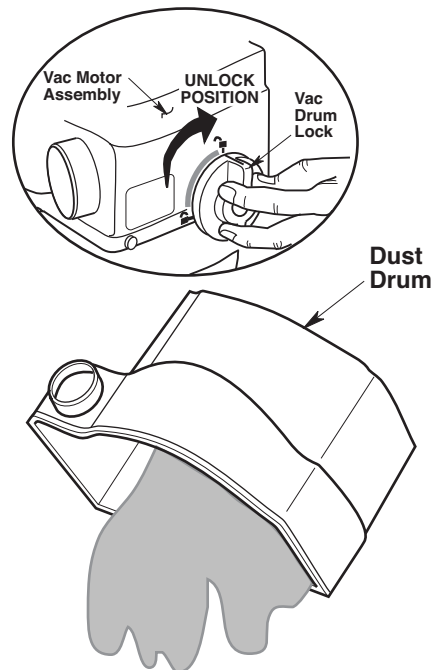
To reduce the risk of injury from accidental starting, unplug power cord before emptying the drum.

1. With the Vacuum removed from the Storage Rack (see Removing Vac from Storage Rack Section), remove the Vac Motor Assembly from the Vac Drum Assembly.
2. Lay Vac Motor Assembly upside down on a clean area while emptying Vac Drum.
3. Dump the Vac Drum contents into the proper waste disposal container.

⚠ WARNING:

To reduce the risk of back injury or falls, do not lift a Vac heavy with liquid or debris. Scoop or drain enough contents out to make the Vac light enough to lift comfortably.

Fig. Y



Blowing Feature (Fig. Z)

Your Vac features a Blowing Port. It can blow sawdust and other debris. Follow the Steps below to use your Vac as a Blower.

1. Locate Blowing Port (on Vac Motor Assembly - Top Inlet) of your Vac.
2. Insert the Locking End of the "Pos-I-Lock®" Hose into the Blowing Port of the Vac. The Hose should snap into place. To remove the Hose from the Vac, press the Release Button in the Hose Assembly and pull the Hose out of the Vac Inlet Port.
3. (Optional) Attach Extension Wand to opposite end of Hose, then place the Car Nozzle on the Wand.
4. Turn Vac on and you are ready to use your Vac as a Blower.

⚠ WARNING:

Always wear safety eyewear complying with ANSI Z87.1 (or in Canada, CSA Z94.3) before using as a blower.

⚠ WARNING:

To reduce the risk of injury to bystanders, keep them clear of blowing debris.

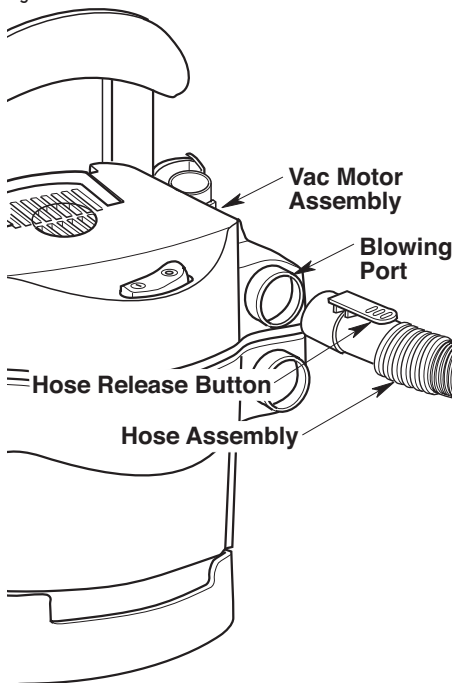
⚠ CAUTION:

Wear a dust mask if blowing creates dust which might be inhaled.

⚠ CAUTION:

To reduce the risk of hearing damage, wear ear protectors when using the Vac / Blower for an extended time or in a noisy area.

Fig. Z



MAINTENANCE

Filter

⚠ WARNING:

To reduce the risk of injury from accidental starting, unplug power cord before changing or cleaning filter.

NOTE: This Filter is made of high quality paper designed to stop very small particles of dust. The Filter can be used for wet or dry pick up. Handle the Filter carefully when removing to install or clean. Creases in the Filter pleats may occur from installation but creases will not affect the performance of the Filter.

Removal and Installation of the Qwik Lock™ Filter (Fig. AA)

IMPORTANT: To reduce the risk of damage to the Blower Wheel and Motor, always reinstall the Filter before using the Vac for dry material pickup.

Filter Removal

1. Hold the Filter Tabs of the Qwik Lock™ Filter in each hand.
2. With one thumb on the Qwik Lock™ Stud, which protrudes through the integrated Filter Plate, lift up on the Filter Tabs while pushing down on the Stud.
3. This action will cause the Filter to release from the Filter Cage. Slide Filter off Cage.

⚠ WARNING:

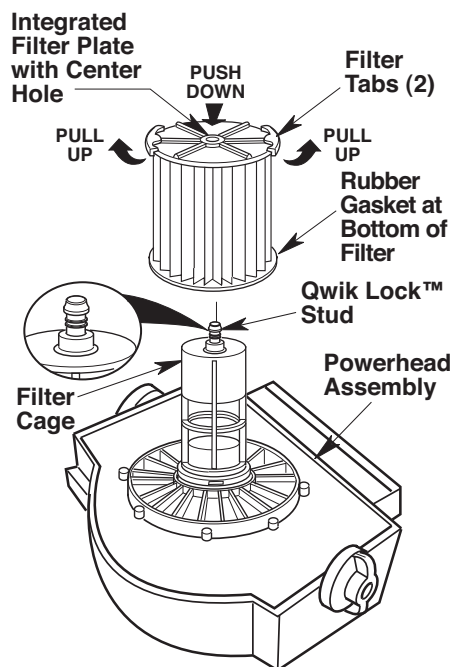
Do not operate without a filter cage and float, as they prevent liquid from entering the impeller and damaging the motor.

Filter Installation

1. Carefully slide the Qwik Lock™ Filter over the Filter Cage and press down on the outside edge of the Filter until the Rubber Gasket on the bottom of the Filter seats securely around the base of the Filter Cage and against the Powerhead Assembly.
2. Align the small Center Hole in the top of the Filter over the Qwik Lock™ Stud on the Filter Cage. Press firmly on top of the Filter near the Stud to allow the Filter to snap over the Ball on the end of the Stud. The Filter is now attached.

NOTE: Failure to properly seat the bottom Gasket could result in debris bypassing the Filter.

Fig. AA



Filter Cleaning

Your Filter should be cleaned often to maintain peak Vac performance.

Be sure to dry the Filter before storing or picking up dry debris.

IMPORTANT: After cleaning, check the Filter for tears or small holes. Do not use a Filter with holes or tears in it. Even a small hole can cause a lot of dust to come out of your Vac. Replace it immediately.

Cleaning A Dry Filter

Some removal of dry debris can be accomplished without removing the Filter from the Vac. Slap your hand on top of the Powerhead while the Vac is turned OFF.

For best cleaning results due to accumulated dust, clean the Filter in an open area. Cleaning SHOULD be done outdoors and not in the living quarters.

After Filter removal from Vac, remove the dry debris by gently tapping the Filter against the inside wall of your Dust Drum.

The debris will loosen and fall. For thorough cleaning of dry Filter with fine dust (no debris), run water through it as described under "Cleaning A Wet Filter".

Cleaning A Wet Filter

After Filter is removed, run water through the Filter from a Hose or Spigot. Take care that water pressure from the Hose is not strong enough to damage Filter.

Cleaning and Disinfecting the Wet/Dry Vac

To keep your Wet/Dry Vac looking its best, clean the outside with a cloth dampened with warm water and mild soap.

To clean the Drum:

1. Dump debris out.
2. Wash Drum thoroughly with warm water and mild soap.
3. Wipe out with dry cloth.

Before prolonged storage or as needed (i.e., waste water pick up) the Drum should be disinfected.

To disinfect the Drum:

1. Pour 1 gallon (4 L) of water and 1 teaspoon (5 mL) chlorine bleach into the Drum.
2. Let solution stand for 20 minutes, carefully swishing every few minutes, making sure to wet all inside surfaces of the Drum.
3. Empty Drum after 20 minutes. Rinse with water until bleach smell is gone. Allow Drum to dry completely before sealing the Motor on the Drum.

Storage

Before storing your Vac, the Dust Drum should be emptied and cleaned. The Power Cord should be wrapped around the Cord Wrap Areas and secure the Cord using the Plug Cord Clip. The Hose should be stored as described in this manual. Accessories should be kept in the same area as the Vac so they can be readily available. The Vac should be stored indoors.

WARNING:

To assure product SAFETY and RELIABILITY, any other maintenance, repairs and adjustments should be performed by Authorized Service Centers, always using CRAFTSMAN replacement parts.


SERVICE / REPAIR PARTS

5 Gallon (18 Liter) Wet/Dry Vac

Model Number: **CMXEVB179250**

Electrical Rating: **120 V~ 8.5 A 60 Hz**

⚠ WARNING: SERVICING OF DOUBLE-INSULATED WET/DRY VAC

In a double-insulated Wet/Dry Vac, two systems of insulation are provided instead of grounding. No grounding means is provided on a double-insulated appliance, nor should a means for grounding be added. Servicing a double-insulated Wet/Dry Vac requires extreme care and knowledge of the system, and should be done only by qualified service personnel. Replacement parts for a double-insulated Wet/Dry Vac must be identical to the parts they replace. Your double-insulated Wet/Dry Vac is marked with the words "DOUBLE INSULATED" and the symbol  (square within a square) may also be marked on the appliance.

To reduce the risk of injury, unplug power cord before servicing the Wet/Dry Vac.

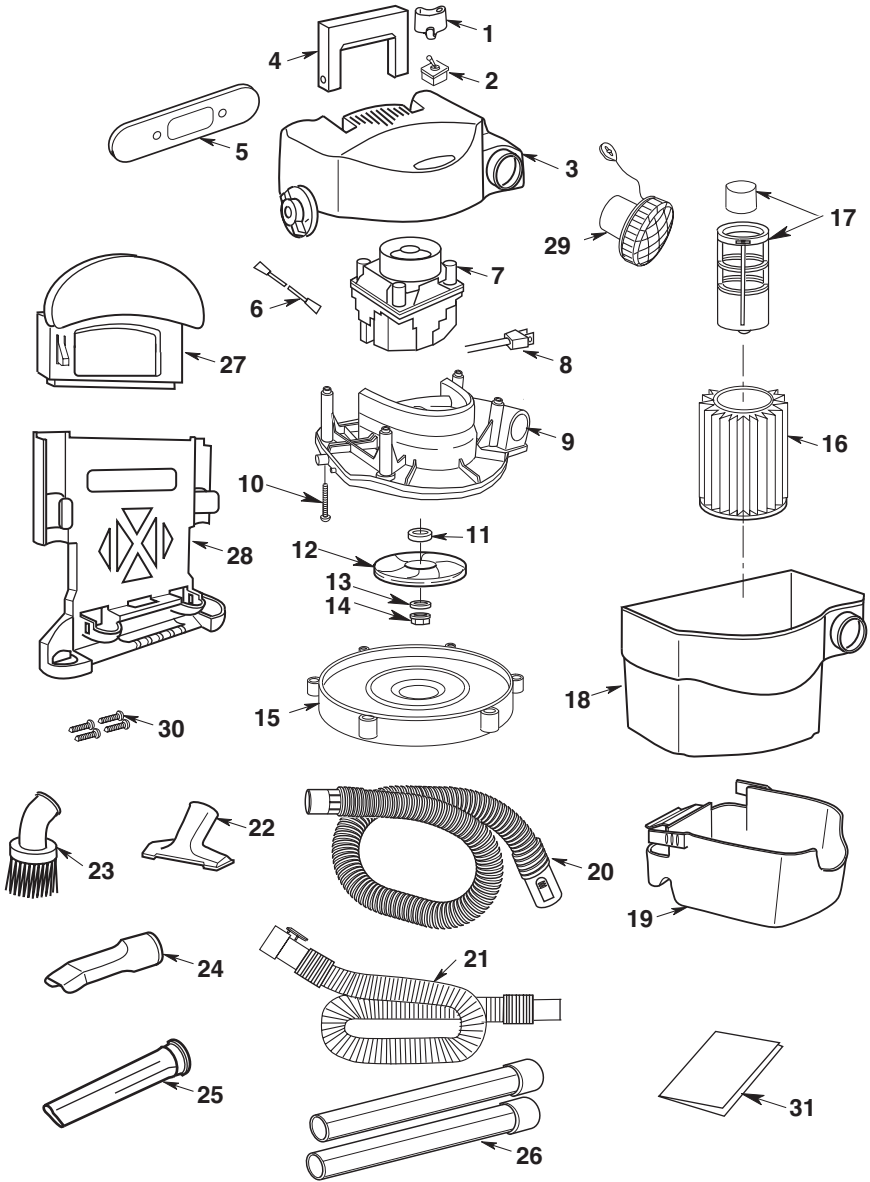
⚠ WARNING: *To reduce the risk of injury, unplug power cord before servicing the Wet/Dry Vac.*

⚠ WARNING: *All disassembly and repairs should be performed by qualified personnel.*

Always order by Part Number - Not by Key Number

Key No.	Part No.	Description
1	830953	Actuator, Switch
2	73180	Switch, Toggle
3	509864	Motor Cover (Includes Keys 1, 2, 4, 5, & 8)
4	830663	Handle, Carry
5	830666	Retainer Cord
6	819260-5	Lead Assembly
7	509776-19	Motor Assembly (Includes Keys 6, 11, 12, 13, & 14)
8	833270	Cord Assembly
9	509863	Lid Assembly
10	820563-4	Screw, Pan Head Type "AB" 10 x 3/4" (19 mm)
11	818961	Spacer
12	818413-3	Blower Wheel
13	315534-1	Washer
14	826817	Nut, Hex Flange 1/4-20
15	828838	Collector
16	CMXZVBE38754	Filter

Key No.	Part No.	Description
17	823201-2	Filter Cage Assembly
18	509862-1	Vac Drum
19	830672	Accessory Storage Bin
20	830673	14-Foot (4.3 m) Pos-I-Lock® Hose
21	CMXZVBE38761	7-Foot (2.1 m) Pos-I-Lock® Hose
22	CMXZVBE38676	Utility Nozzle
23	CMXZVBE38725	Dusting Brush
24	CMXZVBE38681	Car Nozzle
25	CMXZVBE38680	Crevice Tool
26	CMXZVBE38675	Extension, Wands
27	830670	Storage Upper Rack
28	830671	Storage Lower Rack
29	830675	Diffuser
30	820563-12	#10 - 1-3/4" (25 mm) Wood Screws
31	SP7085	Instruction Manual



NOTES

CRAFTSMAN® LIMITED WARRANTY - 3 YEARS

This limited warranty is provided by Emerson Tool Company, a division of Emerson Electric Co., ("We" or "Our" or "Us") to the original consumer owner ("Customer" or "You" or "Your") of the CRAFTSMAN product with which this limited warranty is provided (the "CRAFTSMAN Product").

What is Covered

We warrant to You that your CRAFTSMAN Product will be free from defects in materials and workmanship when used under normal conditions in accordance with the terms of the Instruction Manual provided to You with the CRAFTSMAN Product, subject to the exclusions described below, for a period of three years commencing on the date of purchase by You (the "Warranty Period"). This limited warranty terminates if the original purchaser transfers the CRAFTSMAN Product to any other person or entity.

What is not Covered

This limited warranty does not extend to and expressly excludes:

- Normal wear and tear and/or replacement attachments or accessories, including, without limitation, power cords, hoses, filters, and other attachments or accessories that may be offered for sale by Us for use with the CRAFTSMAN Product.
- Damage or burnout of the CRAFTSMAN Product motor resulting from failure to clear a blockage occurring during the normal course of use.
- Loss or damage to the CRAFTSMAN Product resulting from conditions beyond Our control including without limitation, misuse, accident, abuse, neglect, negligence (other than Our's), overuse beyond intended capacity as set forth in the Instruction Manual, or modifications or alterations made by anyone other than Us.
- Loss or damage to the CRAFTSMAN Product resulting from failure to use the CRAFTSMAN Product in accordance with the written instructions, guidelines, and terms and conditions set forth in the Instruction Manual.
- TO THE EXTENT PERMITTED BY LAW, IN NO EVENT SHALL WE BE LIABLE FOR ANY INCIDENTAL, SPECIAL, INDIRECT, OR CONSEQUENTIAL DAMAGES, INCLUDING ANY ECONOMIC LOSS, WHETHER RESULTING FROM NONPERFORMANCE, USE, MISUSE OR INABILITY TO USE THE CRAFTSMAN PRODUCT OR FOR THE NEGLIGENCE OF ETC.

How to Obtain Service

US and Canada - To obtain warranty benefits contact us toll free at 1-888-331-4569 (Mexico 001-881-331-4569). We will direct you to the nearest service center to review your vacuum for inspection, repairs or replacement.

Mexico - To obtain warranty benefits contact us toll free at 001-881-331-4569. We will direct you to the nearest service center to review your vacuum for inspection, repairs or replacement.

No Other Express Warranty Applies

This limited warranty is the sole and exclusive warranty provided to You. No other express warranty, written or verbal, applies including, WITHOUT LIMITATION, WARRANTIES OF MERCHANTABILITY OR FITNESS FOR A PARTICULAR PURPOSE. No employee, agent, dealer, or other person is authorized to alter this limited warranty or make any other warranty on behalf of Us.

What We will do to Correct Problems

YOUR SOLE AND EXCLUSIVE REMEDY UNDER THIS LIMITED WARRANTY SHALL BE LIMITED TO REPAIR, REPLACEMENT, REFUND OF THE CRAFTSMAN PRODUCT.

After You have contacted CRAFTSMAN Product Customer Service Department, We will initiate warranty proceedings, including a physical inspection, subject to the exclusions and the Warranty Period stated herein, to determine whether to repair or replace the CRAFTSMAN Product or provide You with a refund.

The decision to repair or replace your CRAFTSMAN Product or to provide a refund is at Our sole discretion. Repair or replacements provided to You by ETC are at no cost to You if covered under this limited warranty.

If we are unable to provide You with a suitable repaired or replacement CRAFTSMAN Product, we will provide you with a refund equal to the purchase price of your CRAFTSMAN Product or a credit to be used toward the purchase of a new CRAFTSMAN Product.

In the event of any dispute between CUSTOMER AND US, either party may choose to resolve the dispute by binding arbitration. THIS MEANS IF EITHER CUSTOMER OR US CHOOSE BINDING ARBITRATION, NEITHER PARTY SHALL HAVE THE RIGHT TO LITIGATE SUCH CLAIM IN COURT OR HAVE A JURY TRIAL. DISCOVERY AND APPEAL RIGHTS ARE LIMITED.

This limited warranty gives you specific legal rights, and you may also have other rights, which vary from State to State. Some states do not allow the exclusion of incidental or consequential damages, so the above limitation may not apply.



CRAFTSMAN®

is a registered trademark of Stanley Black & Decker, Inc., used under license.
es una marca registrada de Stanley Black & Decker, Inc., utilizada bajo licencia.
est une marque déposée de Stanley Black & Decker, Inc., utilisée sous licence.

© 2019 CRAFTSMAN

Product Manufactured by:	EMERSON TOOL COMPANY
Producto fabricado por:	8100 W. Florissant • St. Louis, MO 63136
Produit fabriqué par :	U.S. & Canada Only • É.-U. et Canada seulement

Part No. SP7085

Form No. SP7085-2

Printed in Mexico 10/2019



Définitions : Termes et symboles d'alertes de sécurité

Ce Guide d'utilisation utilise les termes et symboles d'alertes de sécurité suivants pour vous prévenir en cas de situations dangereuses et de risque de blessures ou de dommages matériels.

⚠ DANGER : Indique une situation dangereuse imminente qui, si elle n'est pas évitée, causera la mort ou une blessure grave.

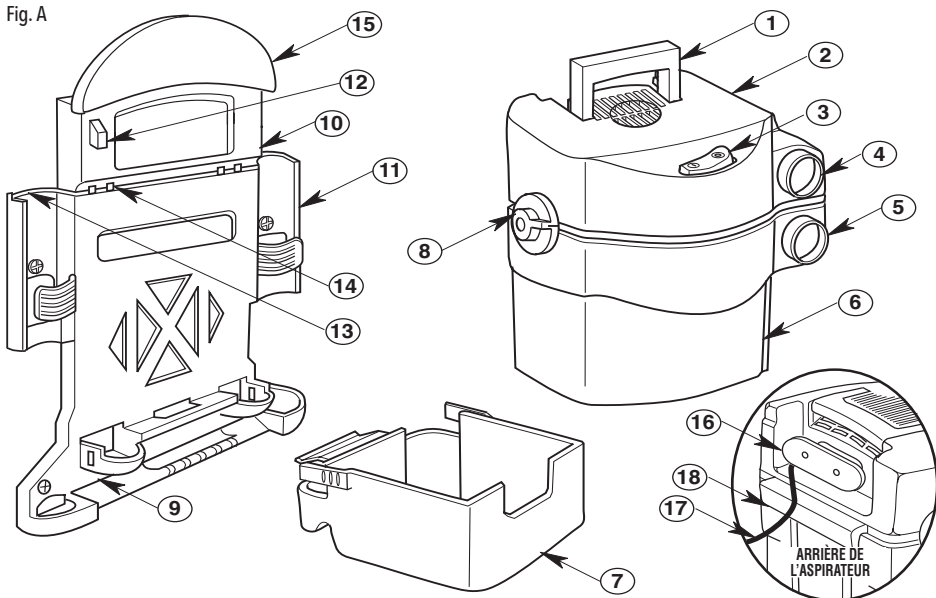
⚠ AVERTISSEMENT : Indique une situation pouvant être dangereuse qui, si elle n'est pas évitée, risque de causer la mort ou une blessure grave.

⚠ MISE EN GARDE : Indique une situation dangereuse qui, si elle n'est pas évitée, pourrait causer une blessure mineure ou modérée.

⚠ (Utilisé sans terme) Indique un message relatif à la sécurité.

AVIS : Indique une pratique non associée à un risque de blessure qui, si l'on n'en tient pas compte, pourrait causer des dommages matériels.

Fig. A



Composants

- | | |
|--|--|
| ① Poignée de transport | ⑩ Support de rangement de l'aspirateur supérieur |
| ② Ensemble de moteur de l'aspirateur | ⑪ Fentes pour tubes (2) |
| ③ Interrupteur de MARCHE/ARRÊT | ⑫ Languette de dégagement de l'aspirateur |
| ④ Orifice de soufflerie | ⑬ Dispositif de rétention du cordon |
| ⑤ Orifice d'admission de l'aspirateur | ⑭ Dispositif de retenue du cordon |
| ⑥ Tambour à poussière de l'aspirateur | ⑮ Emplacement réservé au rangement du tuyau |
| ⑦ Casier d'entreposage des accessoires | ⑯ Aire d'enroulement du cordon |
| ⑧ Loquets de verrouillage du tambour de l'aspirateur (2) | ⑰ Cordon d'alimentation |
| ⑨ Support de rangement de l'aspirateur inférieur | ⑱ Crochet du haut de l'aspirateur |

⚠ AVERTISSEMENT : Lisez tous les avertissements relatifs à la sécurité et toutes les instructions associées. Le non-respect des avertissements et des instructions pourrait causer un choc électrique, un incendie et/ou des blessures graves.

⚠ AVERTISSEMENT : Ne modifiez jamais le produit ou toute partie de celui-ci. Ceci pourrait causer une blessure ou des dommages matériels.

⚠ AVERTISSEMENT : Pour réduire le risque de blessure, lisez le Guide d'utilisation.

En cas de questions ou de commentaires au sujet de ce produit ou de tout autre produit, téléphonez à CRAFTSMAN au numéro suivant (appel gratuit) : 1-888-331-4569.

INSTRUCTIONS IMPORTANTES RELATIVES À LA SÉCURITÉ

Des précautions de sécurité élémentaires doivent être prises lors de l'utilisation de cet aspirateur, notamment les précautions suivantes :

▲ AVERTISSEMENT :

Pour réduire le risque d'incendie, de choc électrique ou de blessure:

- Lisez et comprenez ce manuel et toutes les étiquettes placées sur l'aspirateur avant de mettre celui-ci en marche.
- N'utilisez l'aspirateur que comme cela est décrit dans ce Guide d'utilisation.
- Ne laissez pas en marche pendant que vous êtes absent – vous vous risqueriez de manquer des signes importants indiquant un fonctionnement anormal, comme une perte de puissance d'aspiration, la sortie de débris ou de liquides par la bouche de soufflage d'air ou des bruits anormaux en provenance du moteur. Cessez immédiatement d'utiliser l'aspirateur si vous constatez de tels signes.
- Ne laissez pas l'aspirateur sans surveillance quand il est branché dans une prise de courant. Débranchez-le de la prise quand il n'est pas utilisé et avant toute opération de maintenance.
- Des étincelles à l'intérieur du moteur pourraient mettre le feu à des vapeurs ou poussières inflammables. Pour réduire le risque d'incendie ou d'explosion, ne pas utiliser à proximité de liquides, gaz ou poussières combustibles, comme de l'essence ou d'autres carburants, de l'essence pour briquets, des produits de nettoyage, des peintures à base d'huile, du gaz naturel, de la poussière de charbon, de la poussière de magnésium, de la poussière céréalière, de la poussière d'aluminium ou de la poudre noire.
- N'aspirez jamais de quelconques matières en train de brûler ou des matières fumigènes, telles que des cigarettes, des allumettes ou des cendres chaudes.
- Videz le tambour après chaque utilisation pour éviter le risque d'auto-inflammation des débris du tambour. Les matériaux combustibles, tels que des chiffons ou de la soie contenant des colorants ou de l'uréthane, peuvent être des sources d'une telle surchauffe.
- N'aspirez jamais de poussières de plaques de plâtre, de suie ou de cendres de cheminée froides ou de poussières très fines qui risqueraient d'être projetées à nouveau dans l'air ambiant. Utilisez un filtre à poussières fines à la place.
- Pour réduire le risque d'inhalation de vapeurs toxiques, n'aspirez pas de matériaux toxiques ou dangereux, et n'utilisez pas à proximité de tels matériaux.
- Cet aspirateur de liquides et de poussières n'est pas conçu pour emploi par des personnes (y compris des enfants) ayant des capacités physiques, sensorielles ou mentales réduites, ou qui n'ont pas l'expérience ou les connaissances nécessaires, sauf en cas de supervision ou d'instructions sur l'utilisation de cet appareil par une personne responsable de leur sécurité.
- Pour réduire le risque de choc électrique, n'exposez pas à la pluie et empêchez l'entrée de liquides dans le compartiment du moteur. Rangez à l'intérieur.
- Ne laissez pas les enfants se servir de l'aspirateur comme d'un jouet. Il faut surveiller de très près quand il est utilisé par des enfants ou à proximité d'enfants.
- N'utilisez pas avec un filtre déchiré ou sans avoir installé de filtre, sauf quand vous aspirez des liquides, comme cela est décrit dans ce Guide d'utilisation. Des débris secs capturés par la roue risquent d'endommager le moteur ou d'être expulsés à nouveau dans l'air ambiant.
- Éteignez l'aspirateur avant de le débrancher.
- Pour réduire le risque de blessure pouvant être causée par une mise en marche accidentelle, débranchez le cordon d'alimentation avant de changer le filtre ou de le nettoyer.
- Ne débranchez pas en tirant sur le cordon. Pour débrancher, saisissez la fiche – pas le cordon.
- N'utilisez pas l'aspirateur avec une fiche, un cordon ou un autre composant endommagé. Si votre aspirateur ne fonctionne pas comme il faut, s'il manque des pièces, s'il quelqu'un l'a laissé tomber, s'il est endommagé, s'il a été laissé à l'extérieur ou s'il est tombé dans de l'eau, téléphonez au service d'assistance à la clientèle au 1-888-331-4569 (au Mexique 001-888-331-4569).
- Ne touchez pas la fiche, l'interrupteur ou l'aspirateur avec des mains mouillées.
- Ne tirez pas l'aspirateur et ne le portez pas par son cordon, n'utilisez pas le cordon pour servir de poignée, ne fermez pas une porte sur le cordon et ne laissez pas le cordon tendu passer sur des bords ou des coins tranchants. Ne traînez pas l'aspirateur sur son cordon. Maintenez le cordon à distance des surfaces chauffées.
- N'utilisez que des cordons de rallonge conçus pour un emploi à l'extérieur. Les cordons de rallonge en mauvais état ou dont les diamètres sont trop petits peuvent poser des risques d'incendie et de choc électrique. Pour réduire le risque de survenance de tels problèmes, vérifiez que le cordon est en bon état et qu'aucun liquide ne puisse entrer en contact avec la connexion. N'utilisez pas de cordon de rallonge avec des conducteurs de moins de 1,3 mm² (calibre 16 AWG) de diamètre.
- Cet aspirateur de liquides et de poussières a une double isolation, ce qui élimine le besoin d'un système de mise à la terre séparé. Utilisez seulement des pièces de rechange identiques. Lisez les instructions concernant l'entretien des aspirateurs de liquides et de poussières à double isolation avant toute opération d'entretien.
- Ne mettez aucun objet dans les orifices de ventilation. N'aspirez pas quand de quelconques orifices de ventilation sont obstrués; assurez-vous que ces orifices ne sont pas bloqués par de la poussière, de la peluche, des cheveux ou de quelconques objets pouvant réduire la circulation de l'air.
- Gardez les cheveux, les vêtements flottants, les doigts et toutes les parties du corps à distance des orifices et des pièces mobiles.
- Pour réduire le risque de chute, faites très attention lorsque vous utilisez l'aspirateur dans des escaliers.
- Pour réduire le risque de blessure corporelle ou d'endommagement de l'aspirateur, n'utilisez que des accessoires compatibles avec la marque CRAFTSMAN.
- Ne montez pas le support de rangement de l'aspirateur à plus de 1,5 m (5 pi) du sol.
- N'attachez pas les vis à la cloison sèche seulement. Assurez-vous que les vis sont attachées au centre de poteaux séparés l'un de l'autre de 40 cm (16 po).
- Ne vous asseyez pas sur le support de rangement de l'aspirateur, et ne vous y suspendez pas.
- Ne dépassez pas la limite maximum de poids de 18 kg sur le support de rangement de l'aspirateur.
- Lors d'une utilisation comme souffeuse :
 - Ne dirigez la décharge d'air que vers la zone de travail.
 - Ne dirigez pas l'air vers des personnes présentes à proximité.
 - Gardez les enfants à distance lors du fonctionnement de la soufflante.
 - N'utilisez la soufflante que pour souffler des saletés et des débris.
 - N'utilisez pas en guise de pulvérisateur.
- Pour réduire le risque de blessure pour les yeux, portez des lunettes de sécurité. L'utilisation de toute soufflante ou de tout aspirateur utilitaire peut toujours causer la projection de corps étrangers dans les yeux, ce qui risque d'entraîner des blessures graves aux yeux.

MISE EN GARDE :

- Pour réduire le risque de dommages auditifs, portez des protège-oreilles lorsque vous utilisez l'aspirateur pendant une période prolongée ou dans une zone bruyante.
- Portez un masque antipoussières en cas d'utilisation dans un environnement poussiéreux.
- Les décharges statiques sont fréquentes dans les endroits secs ou lorsque l'humidité relative de l'air ambiant est faible. L'aspiration de débris fins avec votre aspirateur peut déposer une charge statique sur le tuyau ou sur l'aspirateur. La meilleure chose à faire pour réduire la fréquence des décharges statiques chez vous ou lorsque vous utilisez cet aspirateur consiste à ajouter de l'humidité dans l'air avec un humidificateur.

Observez les avertissements suivants qui figurent sur le carter du moteur de votre aspirateur :



DOUBLEMENT ISOLÉ. MISE À LA TERRE NON NÉCESSAIRE. POUR L'ENTRETIEN, N'UTILISEZ QUE DES PIÈCES DE RECHANGE IDENTIQUES.

AVERTISSEMENT :

- Pour votre propre sécurité, lisez et comprenez le manuel de l'opérateur.
- Ne laissez jamais l'aspirateur en marche sans surveillance.
- Ne ramassez pas de cendres chaudes, de charbon ou d'autres matières inflammables, combustibles/ auto-inflammables, toxiques ou dangereuses.
- Ne pas utiliser à proximité de vapeurs ou de liquides explosifs.

AVERTISSEMENT :

Pour réduire le risque de choc électrique – n'exposez pas à la pluie – rangez à l'intérieur.

REPLACEMENT GRATUIT DE L'ÉTIQUETTE

D'AVERTISSEMENT : Si vos étiquettes d'avertissement deviennent illisibles ou sont manquantes, téléphonez au **1-888-331-4569** pour obtenir un remplacement gratuit.

CONSERVER CES INSTRUCTIONS

INTRODUCTION

Cet aspirateur de liquides et de poussières est conçu pour un emploi ménager. Il peut être utilisé de façon non commerciale ou industrielle pour l'aspiration de débris humides ou secs. Sa conception légère lui permet d'être utilisé pour la plupart des travaux ménagers d'aspiration.

Lisez ce manuel de l'opérateur pour vous familiariser avec les fonctions du produit et pour comprendre les particularités d'utilisation de votre nouvel aspirateur de liquides et de poussières.

TABLE DES MATIÈRES

Sujet	Page
Instructions importantes relatives à la sécurité	24-25
Introduction	25
Contenu de la boîte en carton	26
Installation	27-33
Assemblage des étagères du haut et du bas	27
Assemblage du casier de rangement des accessoires sur l'étagère du bas	27
Montage de l'étagère de rangement sur le mur	28
Assemblage de l'aspirateur	29
Suspension de l'aspirateur sur l'étagère de rangement	30
Insertion du tuyau	31
Retrait de l'aspirateur de l'étagère de rangement	31
Rangement des accessoires	32
Rangement du cordon	32
Ensemble de diffuseur	32
Rangement du tuyau flexible	33
Fonctionnement	34-36
Fiche polarisée	34

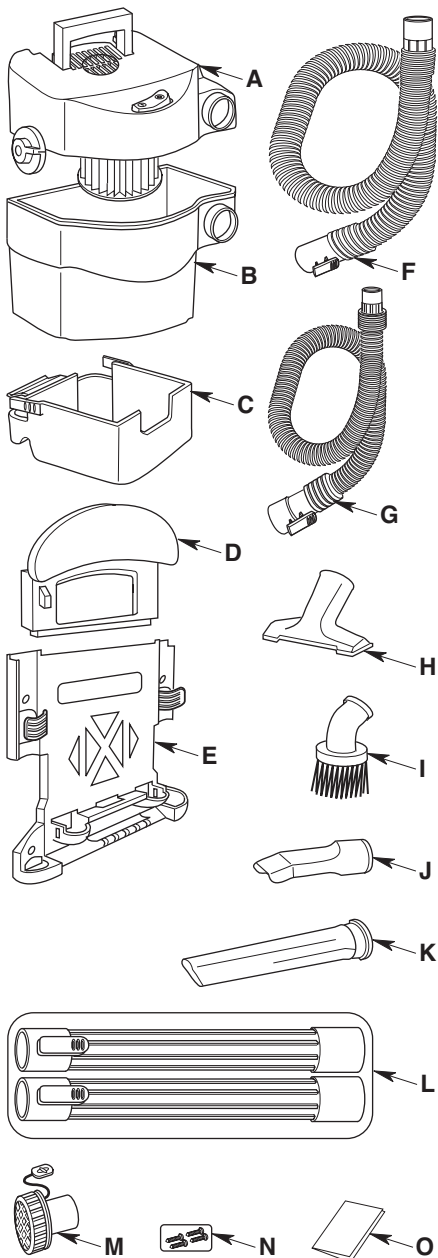
Sujet	Page
Interrupteur	34
Aspiration de matériaux secs	35
Aspiration de liquides	35
Vidage du tambour	35
Fonction de soufflante	36
Entretien	37-38
Filtre	37
Retrait du filtre	37
Installation du filtre	37
Nettoyage du filtre	38
Nettoyage d'un filtre sec	38
Nettoyage d'un filtre humide	38
Nettoyage et désinfection de l'aspirateur de liquides et de poussières	38
Rangement	38
Service après-vente / Pièces de rechange	40-41
Garantie	42

CONTENU DE LA BOÎTE EN CARTON (Fig. B)

Retirez tous les éléments se trouvant dans la boîte en carton. Inspectez chaque élément en le comparant à la liste incluse dans la boîte en carton.

Si de quelconques composants sont endommagés ou manquants, téléphonez immédiatement au 1-888-331-4569 (au Mexique 001-888-331-4569).

Fig. B



Lég.	Description	CMXEVB179250 18 Litres (5 Gallons)
A	Ensemble de moteur de l'aspirateur	1
B	Tambour à poussière de l'aspirateur	1
C	Casier d'entreposage des accessoires	1
D	Support de rangement de l'aspirateur supérieur	1
E	Support de rangement de l'aspirateur inférieur	1
F	Ensemble de tuyau flexible Pos-I-Lock® de 4,3 m (14 pi)	1
G	Ensemble de tuyau flexible Pos-I-Lock® de 2,1 m (7 pi)	1
H	Suceur à usages multiples	1
I	Brosse de dépeussière	1
J	Suceur pour véhicules	1
K	Suceur plat	1
L	Baguettes de rallonge	2
M	Diffuseur	1
N	Vis à bois N° 10 x 25 mm (1 3/4 po)	4
O	Guide d'utilisation	1

Le filtre peut avoir été préassemblé.
Des filtres de rechange sont vendus sous la référence numéro : CMXZVBE38741.

Outils nécessaires :



Tournevis à pointe cruciforme

INSTALLATION

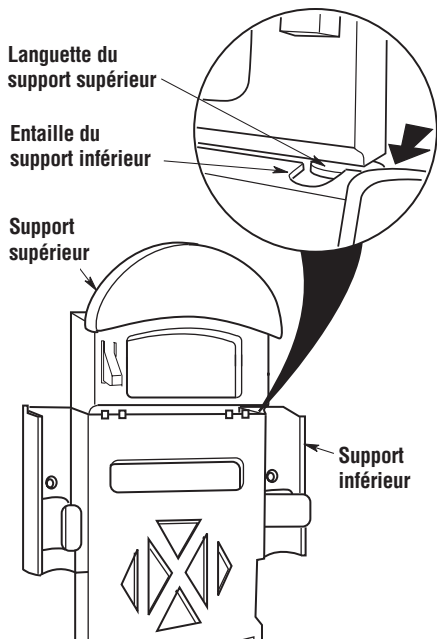
Assemblage des étagères du haut et du bas (Fig. C)

1. Alignez les languettes du support supérieur avec les entailles du support inférieur.
2. Faites glisser l'étagère du haut vers l'avant jusqu'à ce que le crochet du milieu sur l'étagère du bas s'enclenche dans la bride de fixation inférieure de l'étagère du haut. Vous entendrez un déclic lorsque le verrou sera enclenché.

⚠ AVERTISSEMENT :

Pour réduire le risque d'incendie ou de choc électrique, débranchez l'aspirateur quand vous ne vous en servez pas. Ne laissez jamais l'aspirateur en marche si vous n'êtes pas à proximité de celui-ci.

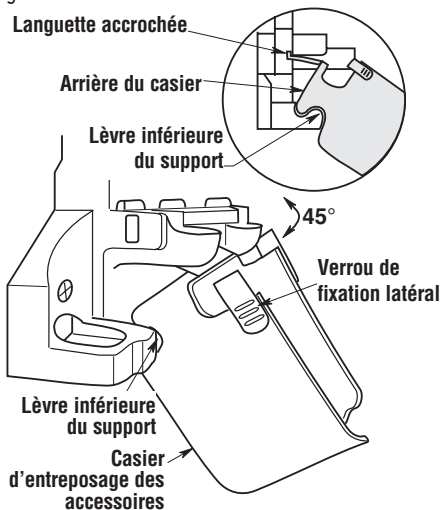
Fig. C



Assemblage du casier de rangement des accessoires sur l'étagère du bas (Fig. D & E)

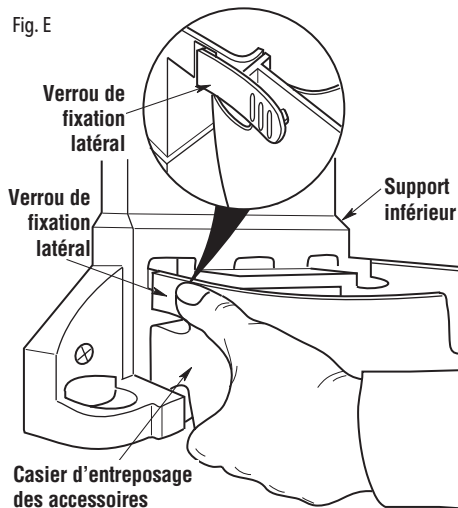
1. Après avoir incliné d'environ 45° vers le bas le casier d'entreposage des accessoires, accrochez l'arrière du casier au-dessus de la lèvre inférieure du support.

Fig. D



2. Appuyez sur la languette accrochée et faites tourner le casier d'entreposage des accessoires vers le haut et vers l'arrière jusqu'à ce que la languette se bloque dans l'ouverture du support inférieur.
3. Continuez à faire tourner le casier jusqu'à ce que les verrous de fixation latéraux s'engagent dans les ouvertures du support et que le casier soit dans la position horizontale.

Fig. E

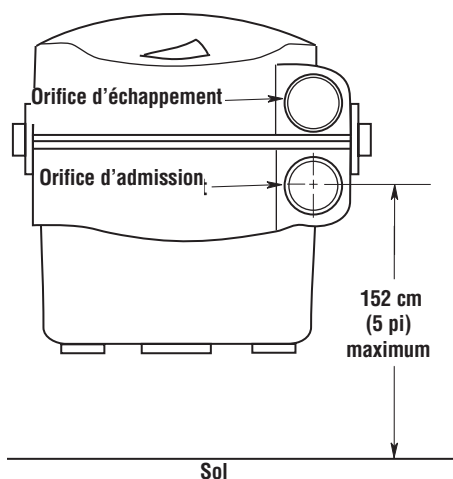


Montage de l'étagère de rangement sur le mur (Fig. F)

⚠ AVERTISSEMENT :

- Ne montez pas à plus de 152 cm (5 pi) du sol.
 - N'attachez pas les vis à la cloison sèche seulement. Assurez-vous que les vis sont attachées au centre de poteaux séparés l'un de l'autre de 41 cm (16 po).
 - Ne vous asseyez pas sur le support de rangement de l'aspirateur, et ne vous y suspendez pas.
 - Ne dépassez pas la limite maximum de poids de 18 kg.
1. Choisissez un emplacement à l'intérieur qui n'est pas exposé à la pluie. Pour obtenir la meilleure performance et assurer un accès facile, positionnez le support de rangement de l'aspirateur de façon que le centre de l'orifice d'admission de l'aspirateur ne soit pas à plus de 1,5 m (5 pi) du sol et pas à plus de 46 cm (18 po) de la prise de courant.
 2. Les trous prévus pour les vis sur le support de rangement de l'aspirateur sont espacés de 41 cm (16 po) de manière à correspondre à l'espacement standard des poteaux de cloison. Localisez deux poteaux de cloison et positionnez le support de rangement de l'aspirateur de façon que tous les quatre trous prévus pour les vis soient face aux poteaux.

Fig. F



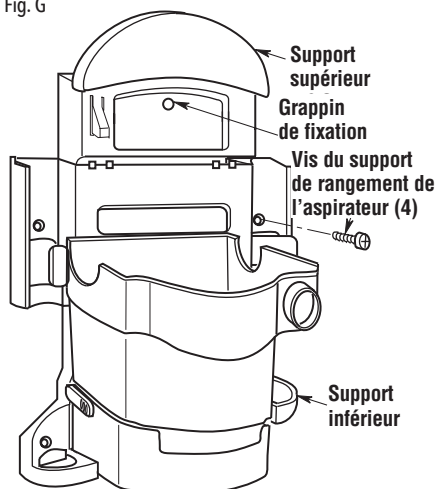
3. Mettez le support de niveau et marquez des repères sur le mur correspondant aux trous. Percez un trou pilote de 3,2 mm (1/8 po) de diamètre à chaque endroit.
4. Attachez le support de rangement de l'aspirateur aux poteaux de la cloison en utilisant les quatre vis fournies. Assurez-vous que toutes les quatre vis sont enfoncées solidement dans les poteaux de la cloison.
5. Utilisez les grappins de fixation (fournis) pour attacher le support supérieur au mur. Percez un trou pilote de 6,5 mm (1/4 po) de diamètre dans la cloison. Insérez le grappin de fixation et enfoncez la tête en métal contre la rondelle en plastique.
6. Si vos poteaux de cloison ne sont pas espacés de 41 cm (16 po) ou si l'endroit où vous voulez installer le support ne permet pas un alignement sur les poteaux de la cloison, vous devrez attacher aux poteaux un panneau de contreplaqué de 12,7 mm (1/2 po) d'épaisseur et de 75 cm (30 po) de large en utilisant les quatre vis fournies.
7. Le support de rangement de l'aspirateur pourra alors être attaché au panneau de contreplaqué avec cinq vis à bois à tête ronde ou à tête cylindrique large N° 10 de 25,4 mm (1 po) (non fournies).

REMARQUE : Les vis à bois fournies sont prévues pour un montage sur une paroi de construction ordinaire consistant en une cloison sèche de 15,9 mm (5/8 po) ou moins.

⚠ MISE EN GARDE :

Pour empêcher le panneau de contreplaqué, le support de rangement de l'aspirateur ou l'aspirateur lui-même de tomber, vérifiez que vous avez bien choisi des vis de la longueur nécessaire pour assurer un montage solide du support de rangement de l'aspirateur sur le mur.

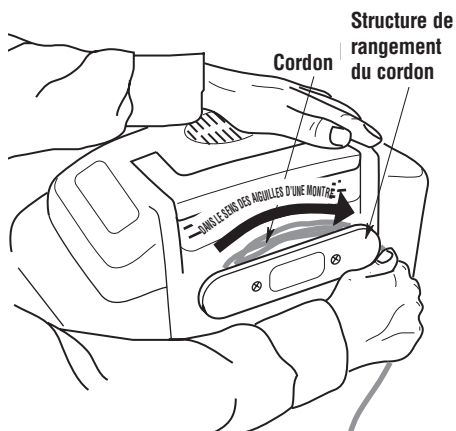
Fig. G



Assemblage de l'aspirateur (Fig. H, I, J & K)

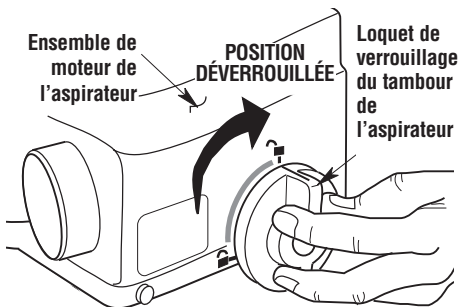
1. Enroulez le cordon électrique dans le sens des aiguilles d'une montre (depuis l'arrière) autour de la structure de rangement du cordon à l'arrière de l'ensemble de moteur de l'aspirateur.

Fig. H



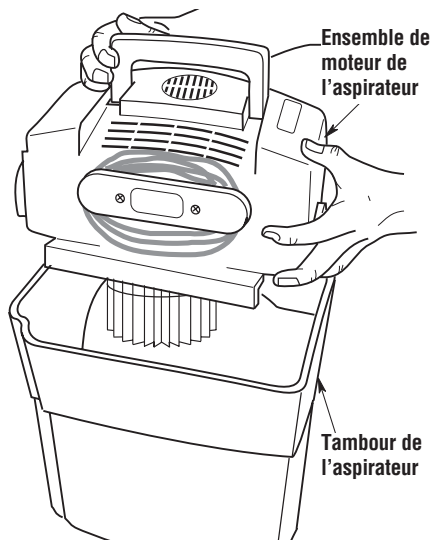
2. Positionnez le loquet de verrouillage du tambour de l'aspirateur en position déverrouillée.

Fig. I



3. Placez l'ensemble de moteur de l'aspirateur sur l'ensemble de tambour de l'aspirateur.

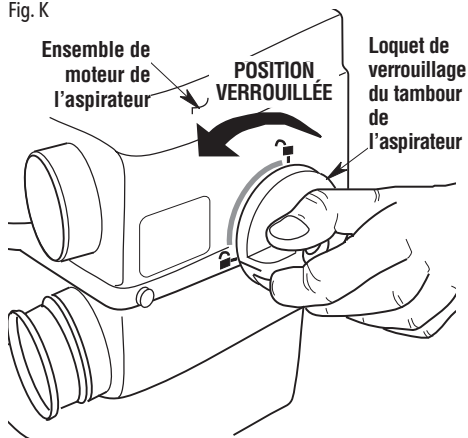
Fig. J



4. Mettez le loquet de verrouillage du tambour de l'aspirateur en position verrouillée.

REMARQUE : Il existe une détente en fin de course à la fois dans la position verrouillée et dans la position déverrouillée. Continuez à tourner le bouton jusqu'à la position désirée (jusqu'au dé clic). Vous devriez sentir et entendre le dé clic.

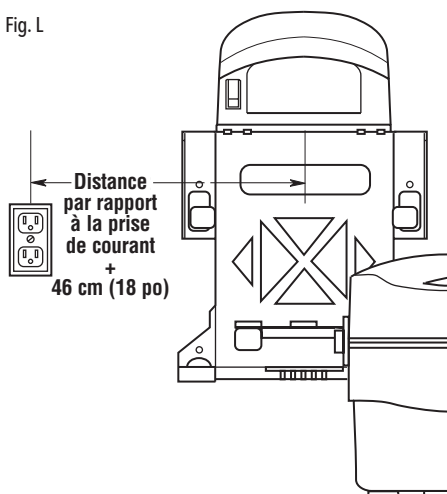
Fig. K



Suspension de l'aspirateur sur l'étagère de rangement (Fig. L, M, N, O & P)

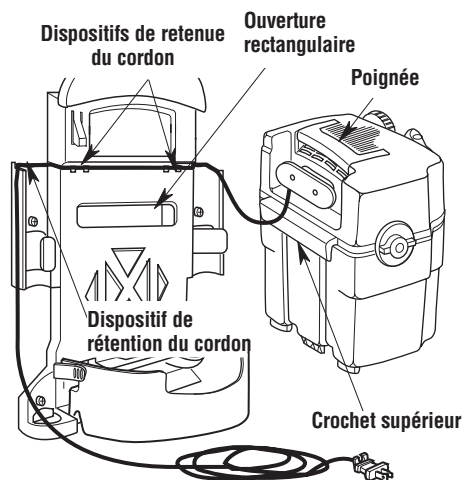
1. Posez l'aspirateur sur le sol à proximité du support de rangement. Mesurez la distance entre le centre du support de rangement de l'aspirateur et la prise de courant la plus proche, et ajoutez 46 cm (18 pouces).

Fig. L



2. Déroulez la longueur correspondante du cordon électrique de la structure de rangement du cordon. Faites passer le cordon déroulé au-dessus du haut de l'aspirateur et faites-le retomber sur le devant.
3. Saisissez la poignée d'une main et le fond du tambour de l'aspirateur à son pied avant de l'autre main. Utilisez toujours les deux mains pour soulever l'aspirateur. Soulevez l'aspirateur jusqu'au support de rangement.

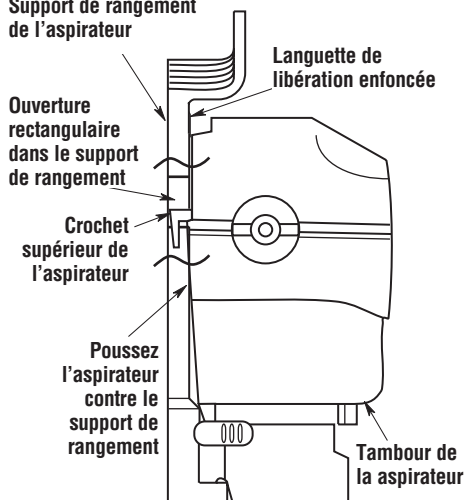
Fig. M



4. Alignez le crochet supérieur de l'aspirateur avec l'ouverture rectangulaire du support de rangement de l'aspirateur. Poussez l'aspirateur contre le support de rangement.

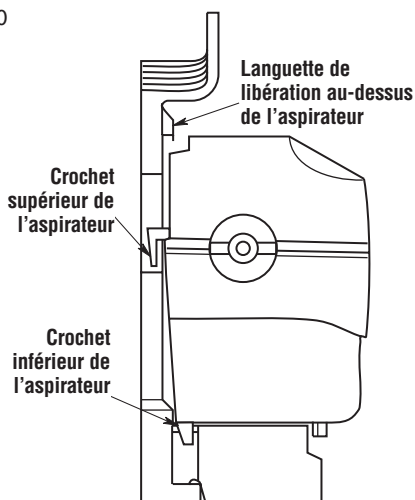
Fig. N

Support de rangement de l'aspirateur



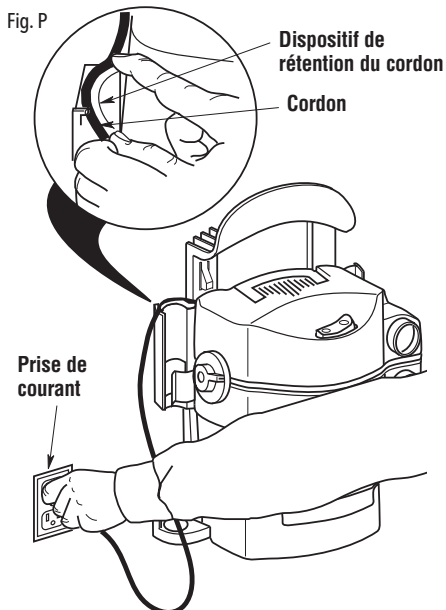
5. Abaissez l'aspirateur jusqu'à ce que le crochet supérieur et le crochet inférieur de l'aspirateur soient engagés et que le fond du tambour de l'aspirateur repose sur le support. La languette de libération apparaîtra au-dessus de l'aspirateur.

Fig. O



- Enfilez le cordon électrique dans les dispositifs de retenue du cordon sur la surface avant du support et enroulez le cordon autour du dispositif de rétention à l'arrière de la zone de rangement du tube.

Le cordon électrique peut sortir du côté gauche ou du côté droit. Branchez le cordon électrique dans la prise de courant. N'assujettissez le cordon électrique au mur en aucune manière.

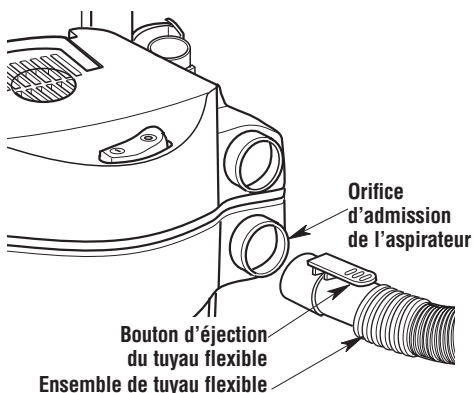


Insertion du tuyau (Fig. Q)

Insérez l'extrémité verrouillable de l'ensemble de tuyau flexible à l'intérieur de l'orifice d'admission de l'aspirateur. Un bruit sec indiquera que le tuyau est correctement en place.

Pour retirer le tuyau de l'aspirateur, appuyez sur le bouton de déclenchement situé sur l'ensemble de tuyau et tirez sur le tuyau afin de le faire sortir de l'orifice d'entrée de l'aspirateur, tel que cela est illustré.

Fig. Q



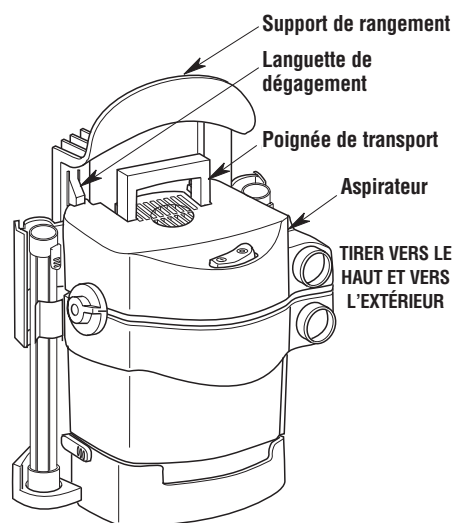
Retrait de l'aspirateur de son support de rangement (Fig. R)

AVERTISSEMENT :

Débranchez l'aspirateur et retirez le cordon d'alimentation électrique du support avant de retirer l'aspirateur

- Avec votre main droite, soulevez la poignée de transport.
- Avec votre main gauche, appuyez sur la languette de libération située dans le coin supérieur gauche du support de rangement de l'aspirateur.
- Soulevez la poignée de transport et tirez sur l'aspirateur (vers le haut) pour le faire sortir du support de rangement.

Fig. R

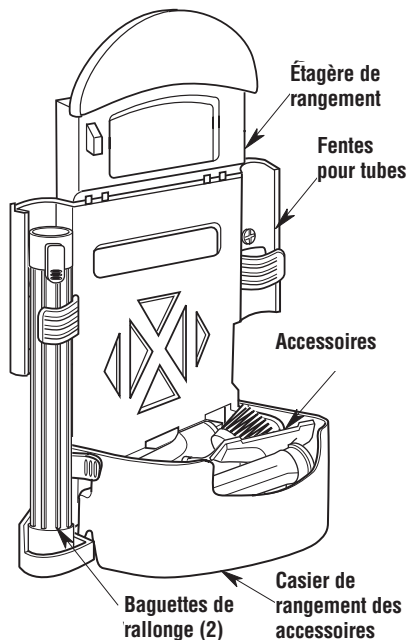


Rangement des accessoires (Fig. S)

Les accessoires : Le suceur tout usage, la brosse à épousseter, le suceur pour automobile et le suceur plat peuvent être rangés au bas de l'étagère de rangement, dans le casier de rangement des accessoires.

Les deux tubes de rallonge peuvent être rangés dans les fentes prévues pour les tubes, qui sont situées d'un côté ou de l'autre de l'étagère de rangement.

Fig. S



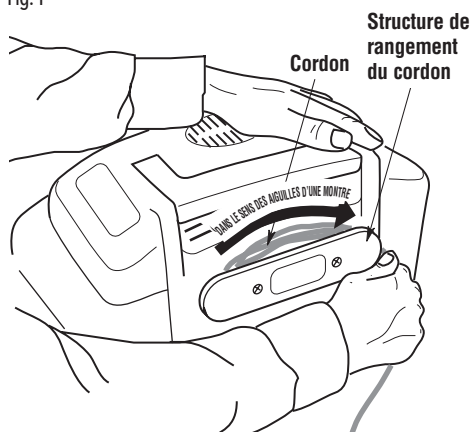
Rangement du cordon (Fig. T)

Débranchez votre aspirateur de liquides et de poussières de la prise quand vous ne vous en servez pas.

1. Enroulez le cordon d'alimentation électrique dans le sens des aiguilles d'une montre (depuis l'arrière) autour de l'endroit prévu pour enrouler le cordon à l'arrière de l'ensemble de moteur de l'aspirateur.
2. Placez le cordon d'alimentation électrique dans la pince de fixation du cordon en faisant pression dessus pour le sécuriser.

REMARQUE : Toute la longueur du cordon doit être enroulée autour de l'endroit prévu pour enrouler le cordon afin d'éliminer tout risque de faire trébucher quelqu'un en conséquence de la présence d'un cordon lâche suspendu.

Fig. T

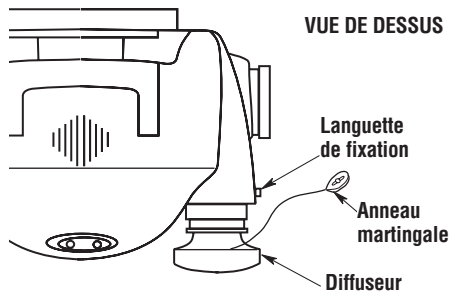


Ensemble de diffuseur (Fig. U)

Connectez l'anneau martingale à la languette de fixation sur l'ensemble de moteur de l'aspirateur pour maintenir le diffuseur attaché à l'aspirateur lorsque vous utilisez l'orifice de soufflerie.

Le capuchon du diffuseur peut être utilisé dans l'orifice d'échappement de l'aspirateur de liquides et de poussières. L'installation du capuchon du diffuseur vous permettra de diffuser l'air d'échappement dans n'importe quel sens et de réduire l'intensité de la force d'échappement.

Fig. U



Rangement du tuyau flexible (Fig. V & W)

Enroulez les tuyaux flexibles Pos-I-Lock® autour de l'étagère de rangement du haut et autour de l'aspirateur de liquides et de poussières, comme illustré.

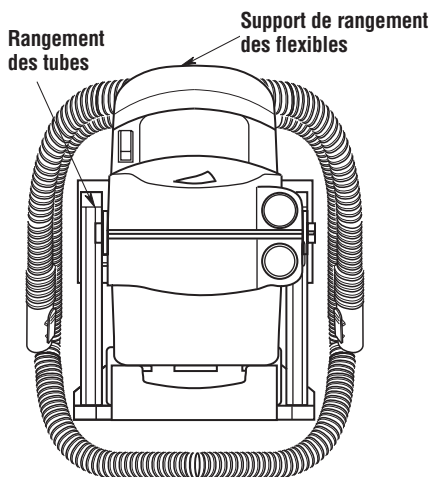
⚠ MISE EN GARDE :

N'utilisez pas l'aspirateur alors que le tuyau flexible est toujours enroulé autour de l'ensemble de bloc-moteur dans la position de stockage.

⚠ AVERTISSEMENT :

Ne placez aucun objet dans les orifices de ventilation. N'aspirez pas quand l'un quelconque des orifices de ventilation est bouché; ne laissez pas s'accumuler de la poussière, de la peluche, des cheveux ou tous autres objets qui pourraient réduire la circulation d'air.

Fig. V



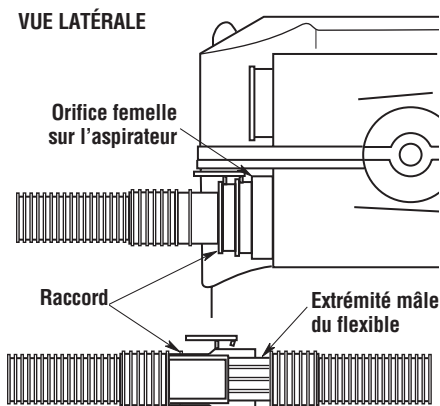
REMARQUE : Chaque tuyau flexible Pos-I-Lock® est muni d'un raccord qui peut être utilisé pour connecter le flexible à l'orifice femelle sur l'aspirateur ou sur le bout mâle d'un autre flexible. Les deux flexibles (4,3 m & 2,1 m) (14 po & 7 po) (peuvent être utilisés soit connectés l'un à l'autre, soit indépendamment l'un de l'autre.

Le flexible de 4,3 m (14 pi) est muni d'un raccord de verrouillage à une extrémité qui permettra de le connecter à l'aspirateur et d'un connecteur à raccordement par friction à l'autre extrémité qui permettra de le connecter à tous les accessoires de 2,5 cm (1 7/8 po) ou à un second flexible.

Le flexible de 2,1 m (7 po) est muni d'une extrémité de verrouillage aux deux bouts du flexible. Le plus grand de ces deux bouts a une taille qui lui permet de se connecter à l'aspirateur ou à l'extrémité de raccordement par friction du flexible de 4,3 m (14 po), et le plus petit des bouts a une taille qui lui permet de se connecter à tous les accessoires de 2,5 cm (1 7/8 po) et de les verrouiller.

Pour connecter ces deux flexibles l'un à l'autre, connectez d'abord le flexible de 4,3 m (14 pi) à l'aspirateur de liquides et de poussières. Puis connectez le flexible de 2,1 m (7 pi) au flexible de 4,3 m (14 pi) en insérant le bout à raccordement par friction du flexible plus long dans le bout verrouillable le plus grand du flexible le plus court. Ceci produira un raccordement par friction.

Fig. W



FONCTIONNEMENT

⚠ AVERTISSEMENT :

Pour réduire le risque d'incendie, d'explosion ou d'endommagement de l'aspirateur :

- Ne laissez pas l'aspirateur en marche pendant que vous êtes absent – vous vous risqueriez de manquer des signes importants indiquant un fonctionnement anormal, comme une perte de puissance d'aspiration, la sortie de débris ou de liquides par la bouche de soufflage d'air ou des bruits anormaux en provenance du moteur. Cessez immédiatement d'utiliser l'aspirateur si vous constatez de tels signes.
- Ne laissez pas l'aspirateur branché lorsque vous ne l'utilisez pas.
- Ne continuez pas à utiliser l'aspirateur lorsque le flotteur a coupé l'aspiration.
- Les étincelles à l'intérieur du moteur risqueraient de mettre feu à des matières inflammables en suspension dans l'air. Ne pas utiliser l'aspirateur à proximité de liquides inflammables ou à des endroits où il y a des gaz ou des vapeurs inflammables, ou de la poussière explosive dans l'air. Les liquides, gaz et vapeurs inflammables comprennent : essence à briquet, produits de nettoyage du type solvant, peinture à base d'huile, essence, alcool et aérosols. Types de poussières explosives : charbon, magnésium, aluminium, céréales et poudre noire.
- N'aspirez pas de poussières explosives, de liquides inflammables ou de cendres chaudes.
- Ne laissez pas de sciure ou de chiffons avec des résidus de teinture ou de polyuréthane à l'intérieur de l'aspirateur. Videz le tambour après avoir ramassé ces matériaux potentiellement autochauffants.

⚠ AVERTISSEMENT :

Pour réduire le risque de choc électrique ou de blessure :

- N'exposez pas à la pluie, et ne laissez pas de liquides pénétrer dans le compartiment du moteur. Rangez à l'intérieur.
- Ne touchez pas la fiche de branchement, l'interrupteur ou l'aspirateur si vous avez les mains mouillées.
- Débranchez l'aspirateur avant toute opération d'entretien sur celui-ci. Si votre aspirateur ne fonctionne pas comme il devrait, s'il manque des pièces, s'il est tombé par terre ou a été endommagé, s'il a été laissé à l'extérieur ou s'il est tombé dans de l'eau, téléphonez au service d'assistance à la clientèle au 1-888-331-4569 (au Mexique 001-888-331-4569).
- Lorsque vous utilisez un cordon de rallonge, n'utilisez qu'un cordon prévu pour emploi à l'extérieur et en bon état. Ne laissez pas la connexion entrer en contact avec des liquides.

⚠ MISE EN GARDE :

Pour réduire le risque de dommages auditifs, portez des protège-oreilles lorsque vous utilisez l'aspirateur/souffleur pendant une période prolongée ou dans une zone bruyante.

Fiche polarisée

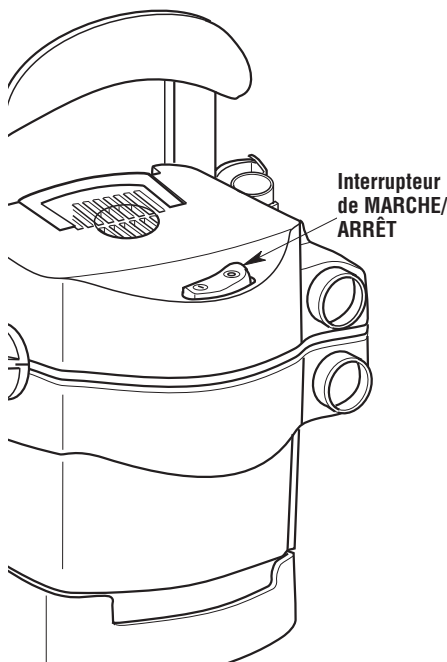
Pour réduire le risque de choc électrique, cet appareil est muni d'une fiche polarisée (une lame est plus large que l'autre). Cette fiche n'est compatible avec une prise polarisée que dans un seul sens. Inverser la fiche si elle n'entre pas complètement dans la prise. Si elle n'entre toujours pas, prendre contact avec un électricien qualifié pour installer une prise de courant appropriée. Ne pas altérer la fiche de quelque manière que ce soit.

Interrupteur (Fig. X)

Avec le cordon d'alimentation branché, mettez l'aspirateur en marche en appuyant sur le « I » (en haut) sur l'interrupteur d'alimentation. Pour l'arrêter, appuyez sur le « O » (en bas) sur l'interrupteur d'alimentation. Les deux symboles internationaux qui figurent sur l'interrupteur indiquent, respectivement, la position de marche et la position d'arrêt de votre aspirateur.

○ = ARRÊT | = MARCHE

Fig. X



Aspiration de matériaux secs

1. Le filtre doit toujours être dans la position correcte afin d'éviter les fuites et de dommages à l'aspirateur.
2. Lors de l'utilisation de l'aspirateur pour ramasser des poussières très fines, il sera nécessaire de vider le tambour et de nettoyer le filtre à intervalles plus fréquents afin de continuer à bénéficier de la performance maximale de l'aspirateur.

REMARQUE : Un filtre sec est nécessaire pour ramasser des matériaux secs. Si l'aspirateur est employé pour ramasser de la poussière alors que le filtre est humide, le filtre se bouchera très vite et il sera ensuite très difficile à nettoyer. Séchez le filtre avant de le ranger.

Aspiration de liquides

⚠ AVERTISSEMENT :

N'utilisez pas l'aspirateur sans la cage du filtre et le flotteur à leur place. Le flotteur empêche l'eau de pénétrer dans l'hélice et d'endommager le moteur. Pour le ramassage de déchets secs, n'utilisez pas l'aspirateur sans que le sac filtrant ne soit en place afin de réduire le risque d'endommagement du moteur.

⚠ AVERTISSEMENT :

Pour réduire le risque d'incendie ou d'explosion, n'aspirez pas de liquides, gaz ou poussières inflammables ou combustibles.

1. Lors de l'aspiration de faibles volumes de liquide, le filtre peut être laissé à sa place.
2. Lors de l'aspiration de grands volumes de liquide, nous recommandons de retirer le filtre. Sinon, il se saturera et on verra peut-être apparaître alors un peu de brume sur l'orifice d'échappement.
3. Lorsque vous aspirez de grands volumes de liquide, il est recommandé que vous retiriez l'aspirateur de son support de rangement et que vous le placiez sur le sol. Lorsque la cuve de l'aspirateur est pleine d'eau, l'aspirateur pèse environ 18 kg (40 li) et il pourra être difficile de le retirer de son support de rangement. Videz toujours l'aspirateur et séchez le filtre immédiatement après avoir aspiré des liquides.
4. Quand le liquide aura atteint un niveau prédéterminé dans le tambour, le mécanisme de flottage se soulèvera automatiquement pour couper le débit d'air. Quand cela se produit, éteignez l'aspirateur, débranchez le cordon d'alimentation et videz le tambour. Vous saurez que le flotteur s'est soulevé quand la circulation d'air cessera et quand la tonalité du moteur deviendra plus aiguë du fait d'une vitesse de moteur plus élevée.

5. Après que l'aspirateur aura été utilisé pour aspirer des liquides, il faudra sécher le filtre pour éviter la formation possible de moisissures et pour ne pas endommager le filtre.

IMPORTANT : Pour réduire le risque d'endommager l'aspirateur, il ne faut pas faire fonctionner le moteur pendant que le flotteur est en position élevée.

Vidage du tambour (Fig. Y)

⚠ AVERTISSEMENT :

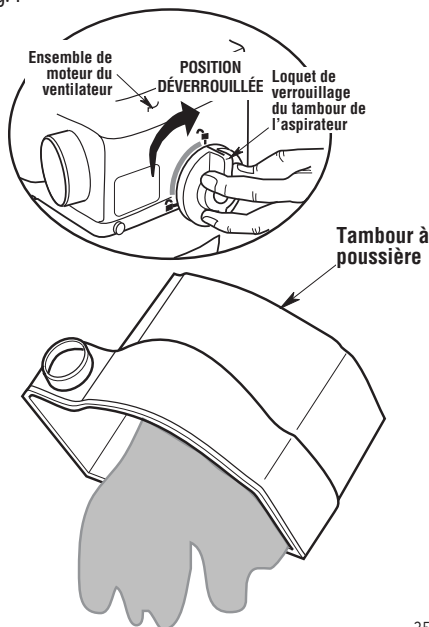
Pour réduire le risque de blessure en raison d'une mise en marche accidentelle, débrancher le cordon électrique avant de vider le tambour.

1. Après avoir retiré l'aspirateur de son support de rangement (voir la rubrique consacrée au retrait de l'aspirateur de son support de rangement), retirez l'ensemble de moteur de l'aspirateur de l'ensemble du tambour de l'aspirateur.
2. Posez l'ensemble de moteur de l'aspirateur sens dessus dessous sur une surface propre pendant que vous videz le tambour de l'aspirateur.
3. Videz le contenu du tambour de l'aspirateur dans un récipient approprié pour l'élimination des déchets.

⚠ AVERTISSEMENT :

Pour réduire le risque de chute ou de blessure au dos il ne faut pas soulever un aspirateur plein de liquide ou de débris. Ramasser ou drainer suffisamment du contenu hors de l'aspirateur afin de rendre l'aspirateur assez léger pour le soulever confortablement.

Fig. Y



Fonction de soufflante (Fig. Z)

Votre aspirateur est muni d'un orifice de soufflante. Il peut souffler de la sciure de bois et autres débris. Suivre la procédure indiquée ci-dessous pour utiliser l'aspirateur comme une soufflerie.

1. Localisez l'orifice de soufflerie (sur l'ensemble de moteur du ventilateur - orifice d'admission du haut) de votre aspirateur.
2. Insérez l'extrémité verrouillable du tuyau flexible « Pos-I-Lock® » à l'intérieur de l'orifice de soufflerie de l'aspirateur. Le tuyau flexible devrait alors se mettre en place avec un déclic. Pour retirer le tuyau flexible de l'aspirateur, appuyez sur le bouton de dégagement situé dans l'ensemble de tuyau flexible et tirez sur le tuyau pour le faire sortir de l'orifice d'admission de l'aspirateur.
3. (Facultatif) Attachez le tube de rallonge à l'extrémité opposée du tuyau flexible, puis placez le suceur pour automobile sur le tube de rallonge.
4. Mettre l'aspirateur en marche - l'aspirateur peut désormais être utilisé comme soufflerie.

⚠ AVERTISSEMENT :

Il faut toujours porter des lunettes de protection conformes à la norme ANSI Z87.1 (ou, au Canada, CSA Z94.3) avant de se servir de l'aspirateur comme une soufflerie.

⚠ AVERTISSEMENT :

Pour ne pas risquer de causer des blessures à d'autres personnes, il est recommandé de leur demander de rester à distance suffisante des débris soufflés.

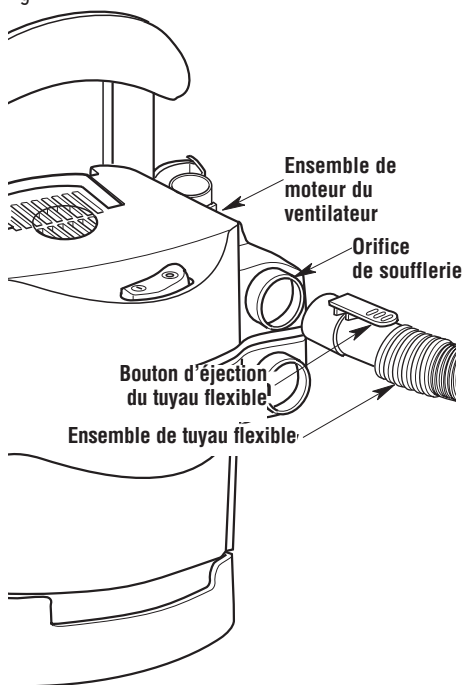
⚠ MISE EN GARDE :

Portez un masque anti-poussière si votre soufflage crée de la poussière qui pourrait être aspirée.

⚠ MISE EN GARDE :

Pour réduire le risque de dommages auditifs, portez des protège-oreilles lorsque vous utilisez l'aspirateur/souffler pendant une période prolongée ou dans une zone bruyante.

Fig. Z



ENTRETIEN

Filtre

⚠ AVERTISSEMENT :

Pour réduire le risque de blessure en raison d'une mise en marche accidentelle, débrancher le cordon électrique avant de remplacer le filtre ou de le nettoyer.

REMARQUE : Le filtre est fait de papier de qualité élevée conçu pour intercepter les très petites particules de poussière. Le filtre peut être utilisé pour le ramassage de matière sèche ou de petits volumes de liquides. Manipuler le filtre avec précaution lors de son nettoyage ou de son installation. Les plis du filtre peuvent être froissés pendant l'installation, mais cela n'aura aucune influence sur la performance du filtre.

Retrait et installation du filtre Qwik Lock™ (Fig. AA)

IMPORTANT : Pour réduire le risque d'endommager le moteur et la roue de la soufflerie, toujours réinstaller le filtre avant d'utiliser l'aspirateur pour ramasser des matériaux secs.

Retrait du filtre

1. Saisissez les deux languettes du filtre Qwik Lock™, une dans chaque main.
2. Placez un pouce sur le goujon Qwik Lock™, qui dépasse de la plaque de filtre intégrée, tirez sur les languettes du filtre et appuyez en même temps sur le goujon.
3. Cette action aura pour effet que le filtre sera relâché de la cage du filtre. Faites glisser le filtre pour le sortir de la cage.

⚠ AVERTISSEMENT :

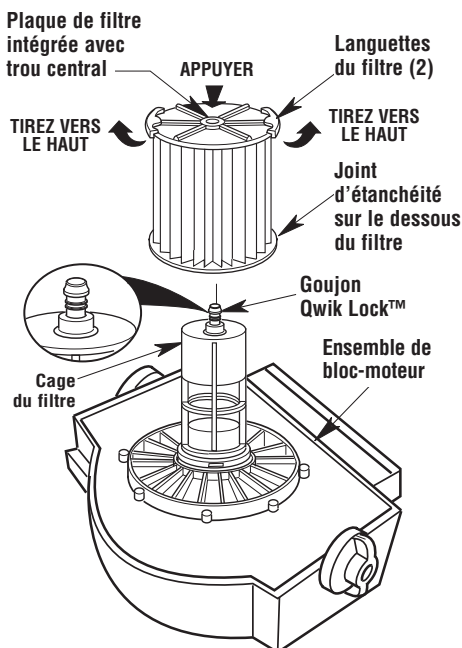
N'utilisez pas l'aspirateur sans la cage du filtre et le flotteur à leur place. Le flotteur empêche l'eau de pénétrer dans l'hélice et d'endommager le moteur.

Installation du filtre

1. Faites glisser délicatement le filtre Qwik Lock™ en dessus de la cage du filtre et appuyez sur le bord extérieur du filtre jusqu'à ce que le joint d'étanchéité en caoutchouc au fond du filtre repose de manière sécurisée autour de la base de la cage du filtre et contre l'ensemble de bloc-moteur.
2. Alignez le petit trou central sur le dessus du filtre au-dessus du goujon Qwik Lock™ sur la cage du filtre. Appuyez fermement sur le dessus du filtre, à proximité du goujon, pour permettre au filtre de s'emboîter sur l'embout sphérique du goujon. Le filtre est maintenant installé.

REMARQUE : Si vous n'installez pas correctement le joint d'étanchéité du dessous, il est possible que des débris passent à côté du filtre.

Fig. AA



Nettoyage du filtre

Il faut nettoyer souvent le filtre pour ne pas affecter la performance optimale de l'aspirateur.

Sécher toujours le filtre avant de le ranger ou de ramasser des débris secs.

IMPORTANT : Inspecter le filtre après le nettoyage pour s'assurer qu'il n'est pas déchiré ou troué. Ne pas utiliser un filtre déchiré ou troué. Même un petit trou peut permettre à beaucoup de poussière de sortir de l'aspirateur. Remplacer le filtre immédiatement dans ce cas.

Nettoyage d'un filtre sec

Le retrait de certains débris secs peut être accompli sans enlever le filtre de l'aspirateur. Donner un coup avec la main sur la partie supérieure de l'ensemble de bloc-moteur pendant que l'aspirateur est à l'arrêt.

Pour obtenir les meilleurs résultats lors du nettoyage après l'accumulation de poussière, nettoyer le filtre dans un endroit non clos. Le nettoyage DOIT être effectué à l'extérieur – pas dans des locaux d'habitation.

Après avoir retiré le filtre de l'aspirateur, retirer les débris secs, en tapotant doucement le filtre contre la paroi intérieure du tambour à poussière. Les débris se détacheront et tomberont.

Pour effectuer un nettoyage complet du filtre sec lorsqu'il est couvert de particules très fines (pas de débris), faire couler de l'eau à travers le filtre comme indiqué sous la rubrique « Nettoyage d'un filtre humide ».

Nettoyage d'un filtre humide

Une fois le filtre retiré, faites couler de l'eau au travers du filtre à l'aide d'un tuyau d'arrosage ou d'un robinet. Veillez à ce que la pression de l'eau sortant du tuyau d'arrosage ne soit pas si forte qu'elle pourrait endommager le filtre.

Nettoyage et désinfection de l'aspirateur de liquides et de poussières

Pour conserver l'esthétique optimale de votre aspirateur de poussières et de liquides, nettoyez la surface extérieure de l'aspirateur à l'aide d'un chiffon imbibé d'eau tiède savonneuse.

Procédure de nettoyage du tambour :

1. Vider les débris.
2. Nettoyez soigneusement le tambour à poussière à l'aide d'un savon doux et d'eau tiède.
3. Essuyer avec un chiffon sec.

Avant de ranger l'aspirateur pour une période prolongée, ou dans les cas nécessaires (par exemple après l'aspiration d'eaux usées), vous devez désinfecter le tambour.

Pour désinfecter le tambour :

1. Versez 4 Litres (1 gallon) d'eau et 5 mL (1 cuillerée) à thé de produit de blanchiment au chlore dans le tambour.
2. Laissez la solution agir pendant 20 minutes, en remuant doucement de temps à autre pour vous assurer que toutes les surfaces du tambour restent humides.
3. Videz le tambour au bout de 20 minutes. Rincez à l'eau jusqu'à ce que l'odeur d'eau de javel ait disparu. Laissez sécher le tambour complètement avant de sceller le moteur sur le tambour.

Rangement

Avant de ranger votre aspirateur, vous devez vider et nettoyer le tambour. Le cordon d'alimentation électrique doit être enroulé autour de la zone d'enroulement du cordon et sécurisé en utilisant la pince de fixation du cordon de branchement. Le tuyau flexible doit être rangé tel que décrit dans ce mode d'emploi. Vous devez garder les accessoires au même endroit que l'aspirateur de façon à pouvoir y accéder facilement. Vous devez ranger l'aspirateur à l'intérieur d'un bâtiment.

AVERTISSEMENT :

Pour assurer la SÉCURITÉ et la FIABILITÉ du produit, toutes les autres opérations de maintenance, de réparation et de réglage doivent être effectuées par des centres de service agréés utilisant toujours des pièces de rechange CRAFTSMAN.

REMARQUES


SERVICE APRÈS-VENTE / PIÈCES DE RECHANGE

Aspirateur de liquides et de poussières de 18 Litres (5 Gallons)

Modèle N° : CMXEVBE179250


Caractéristiques électriques nominales : 120 V~ 8,5 A 60 Hz

AVERTISSEMENT : RÉPARATION DE L'ASPIRATEUR DE LIQUIDES ET DE POUSSIÈRES DOUBLEMENT ISOLÉ

Dans un aspirateur de liquides et de poussières doublement isolé, deux systèmes d'isolation sont fournis au lieu de la mise à la terre. Aucun moyen de mise à la terre n'est prévu sur un appareil électro-ménager doublement isolé, et il ne faut pas en ajouter. La réparation d'un aspirateur de liquides et de poussières doublement isolé nécessite une connaissance approfondie du système et la prise de précautions extrêmes. Une telle réparation ne doit être entreprise que par un technicien agréé. Les pièces de rechange pour un aspirateur de liquides et de poussières doublement isolé doivent être les mêmes que les pièces qu'elles remplacent. Les mots « DOUBLE INSULATED » (Doublement isolé) figurent sur l'aspirateur de liquides et de poussières doublement isolé, et le symbole  (un carré à l'intérieur d'un autre carré) peut également figurer sur les appareils.

Pour réduire le risque de blessure, débranchez le cordon d'alimentation avant toute opération de maintenance/réparation de l'aspirateur de liquides et de poussières.

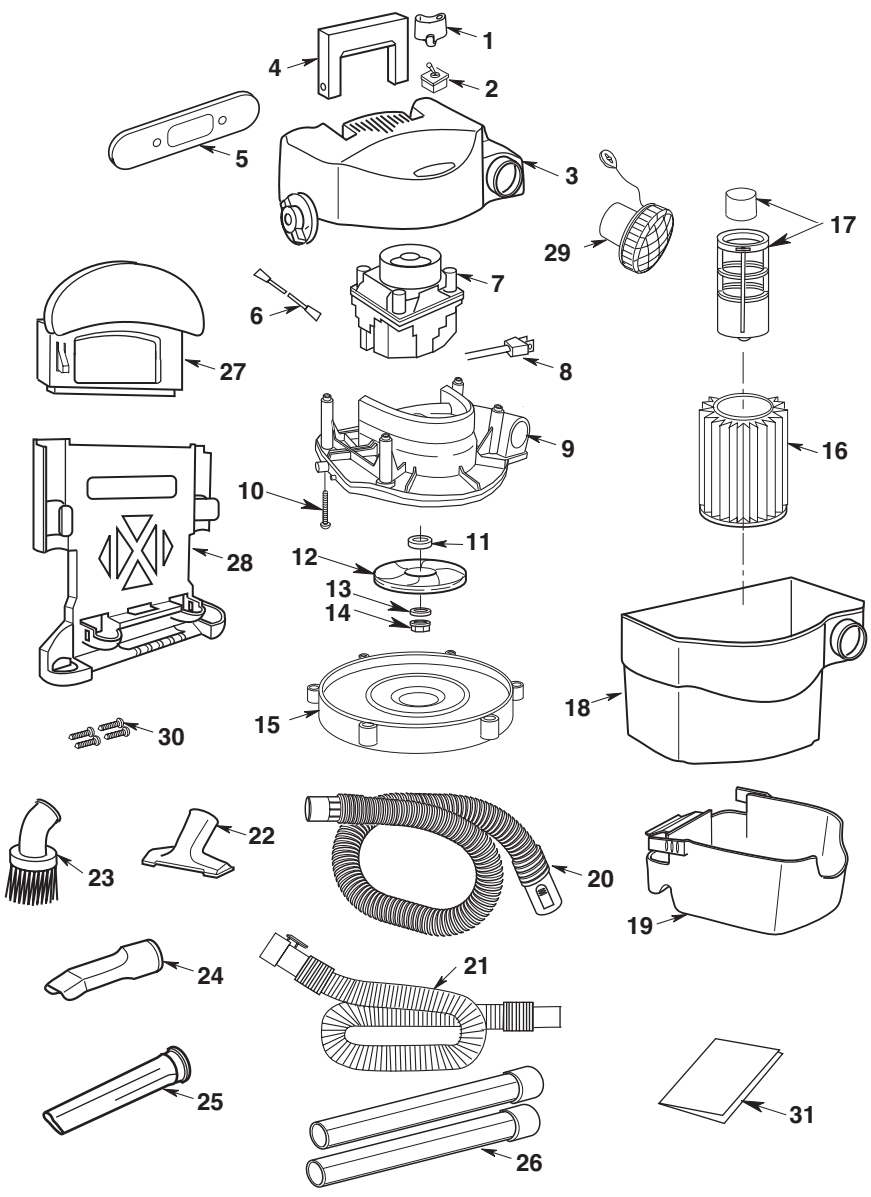
 **AVERTISSEMENT** : Pour réduire le risque de blessure, débranchez le cordon d'alimentation avant toute opération de maintenance/réparation de l'aspirateur de liquides et de poussières.

 **AVERTISSEMENT** : Toutes les opérations de démontage et de réparation doivent être effectuées par des techniciens compétents.

Pour commander, utiliser toujours le numéro de pièce - pas le numéro de légende

N° de lég.	N° de pièce	Description
1	830953	Actionneur de l'interrupteur
2	73180	Interrupteur à bascule
3	509864	Carter du moteur (Inclut les dés 1, 2, 4, 5 & 8)
4	830663	Poignée de transport
5	830666	Cordon de retenue
6	819260-5	Ensemble de tête
7	509776-19	Ensemble de moteur (Inclut les dés 6, 11, 12, 13 & 14)
8	833270	Ensemble de cordon
9	509863	Ensemble de couvercle
10	820563-4	Vis de type à tête cylindrique bombée « AB » N° 10 de 19 mm (3,4 po)
11	818961	Entretoise
12	818413-3	Roue de soufflerie
13	315534-1	Rondelle
14	826817	Écrou, bride de fixation hexagonale, 1/4-20
15	828838	Collecteur
16	CMXZVBE38754	Filtre

N° de lég.	N° de pièce	Description
17	823201-2	Ensemble de cage de filtre
18	509862-1	Tambour de l'aspirateur
19	830672	Casier de rangement des accessoires
20	830673	Tuyau flexible Pos-I-Lock® de 4,3 m (14 pi)
21	CMXZVBE38761	Tuyau flexible Pos-I-Lock® de 2,1 m (7 pi)
22	CMXZVBE38676	Suceur tout usage
23	CMXZVBE38725	Brosse à épousseter
24	CMXZVBE38681	Suceur pour automobile
25	CMXZVBE38680	Suceur plat
26	CMXZVBE38675	Tubes de rallonge
27	830670	Étagère de rangement du haut
28	830671	Étagère de rangement du bas
29	830675	Diffuseur
30	820563-12	Vis à bois N° 10-25 mm (1 3/4 po)
31	SP7085	Guide d'utilisation



GARANTIE LIMITÉE CRAFTSMAN® - 3 ANS

La présente garantie limitée est accordée par Emerson Tool Company, une division d'Emerson Electric Co. (« Nous » ou « Notre » ou « Nos »), au consommateur propriétaire d'origine (« Client » ou « Vous » ou « Votre » ou « Vos ») du produit CRAFTSMAN avec lequel cette garantie limitée est accordée (le « Produit CRAFTSMAN »).

Ce qui est couvert

Nous Vous garantissons que Votre Produit CRAFTSMAN ne comporte aucun défaut de matériau ou de façon quand il est utilisé dans des conditions normales conformément aux dispositions du Guide d'utilisation qui Vous a été fourni avec le Produit CRAFTSMAN, sous réserve des exclusions décrites ci-dessous, pour une durée de trois ans commençant à la date de l'achat par Vous (la « Période de garantie »). La présente garantie limitée prend fin automatiquement si l'acheteur d'origine cède le Produit CRAFTSMAN à une autre personne ou entité.

Ce qui n'est pas couvert

La présente garantie limitée ne couvre pas ce qui suit et exclut expressément :

- L'usure normale et/ou les attachements ou accessoires de rechange, y compris, sans toutefois s'y limiter, les cordons d'alimentation, les tuyaux flexibles, les filtres et les autres attachements ou accessoires qui peuvent être vendus par Nous en vue d'emploi avec le Produit CRAFTSMAN.
- L'endommagement ou la détérioration du moteur du Produit CRAFTSMAN résultant du fait qu'un blocage clair survenu pendant le fonctionnement normal n'a pas été éliminé.
- La perte ou l'endommagement du Produit CRAFTSMAN en conséquence de conditions qui sont au-delà de Notre contrôle, y compris, sans toutefois s'y limiter, une utilisation non conforme aux instructions, un accident, un abus, de la négligence, une faute (par quiconque autre que Nous), une utilisation excessive au-delà de la capacité prévue et indiquée dans le Guide d'utilisation, ou des modifications ou des altérations effectuées par quiconque autre que Nous.
- La perte ou l'endommagement du Produit CRAFTSMAN en conséquence du fait que le Produit CRAFTSMAN n'a pas été utilisé conformément aux instructions ou directives écrites, ou aux conditions et modalités figurant dans le Guide d'utilisation.
- DANS LA MESURE AUTORISÉE PAR LA LOI, NOUS N'ASSUMERONS AUCUNE RESPONSABILITÉ EN CAS DE DOMMAGES SECONDAIRES, SPÉCIAUX, INDIRECTS OU ACCESSOIRES, Y COMPRIS DES PERTES ÉCONOMIQUES, EN CONSÉQUENCE DE L'ABSENCE DE FONCTIONNEMENT, DE L'UTILISATION, D'UNE UTILISATION ABUSIVE OU DE L'IMPOSSIBILITÉ D'UTILISATION DU PRODUIT CRAFTSMAN, OU POUR DES NÉGLIGENCE D'ETC.

Comment faire valoir ses droits à la garantie

États-Unis et Canada - Pour obtenir le bénéfice de la garantie, contactez-nous par un appel gratuit au 1-888-331-4569 (au Mexique 001-888-331-4569). Nous vous orienterons vers le centre de service après-vente le plus proche pour que vous puissiez y faire examiner votre aspirateur gratuitement pour une inspection, des réparations ou le remplacement de composants. Mexique - Pour obtenir le bénéfice de la garantie, contactez-nous par un appel gratuit au 001-888-331-4569. Nous vous orienterons vers le centre de service après-vente le plus proche pour que vous puissiez y faire examiner votre aspirateur gratuitement pour une inspection, des réparations ou le remplacement de composants.

Aucune autre garantie ne s'applique

La présente garantie limitée est la garantie unique et exclusive qui Vous est accordée. Aucune autre garantie expresse, écrite ou verbale, ne s'applique, y compris, SANS LIMITATION, DES GARANTIES DE QUALITÉ MARCHANDE OU D'ADÉQUATION À UN BUT PARTICULIER. Aucun employé, agent, distributeur ou autre personne n'est autorisé à altérer cette garantie limitée ou à accorder une quelconque autre garantie en Notre nom.

Ce que ferons pour résoudre les problèmes

VOTRE REMÈDE UNIQUE ET EXCLUSIF EN VERTU DE LA PRÉSENTE GARANTIE LIMITÉE EST LIMITÉ À LA RÉPARATION, AU REMPLACEMENT OU AU REMBOURSEMENT DU PRODUIT CRAFTSMAN.

Après que vous aurez contacté le département du service à la clientèle pour le Produit CRAFTSMAN, Nous engagerons la procédure d'application de la garantie, y compris un examen physique, sous réserve des exclusions et des limites de la Période de garantie énoncées aux présentes, afin de déterminer si nous allons réparer ou remplacer le Produit CRAFTSMAN, ou Vous proposer un remboursement.

La décision de réparation ou de remplacement de Votre Produit CRAFTSMAN, ou de remboursement, est à notre discrétion exclusive. Les réparations ou remplacements qui Vous sont accordés par ETC sont gratuits pour Vous s'ils sont couverts par la présente garantie limitée.

Si Nous ne sommes pas en mesure de Vous fournir un Produit CRAFTSMAN réparé de façon approprié ou de remplacement, Nous Vous accorderons un remboursement égal au prix d'achat de Votre Produit CRAFTSMAN ou un crédit à utiliser vers l'achat d'un nouveau Produit CRAFTSMAN.

En cas de litige entre le CLIENT et NOUS, l'une quelconque des parties peut décider de faire résoudre le problème par voie d'arbitrage obligatoire. CELA SIGNIFIE QUE SI LE CLIENT CHOISIT OU NOUS CHOISSONS UN ARBITRAGE OBLIGATOIRE, AUCUNE DES PARTIES N'AURA LE DROIT D'INTENTER UNE ACTION EN JUSTICE DEVANT UN TRIBUNAL OU DE DEMANDER UN JUGEMENT PAR JURY. LES DROITS D'OBLIGATION DE SOUMISSION DE DOCUMENTS ET D'APPEL SONT LIMITÉS.

La présente garantie limitée vous confère des droits légaux spécifiques, et vous disposez peut-être aussi d'autres droits, qui varient en fonction de l'État ou de la province où Vous résidez. Étant donné que certains États et certaines provinces ne permettent pas l'exclusion des dommages indirects ou secondaires, il se peut que la limitation ci-dessus ne s'applique pas.



CRAFTSMAN®

is a registered trademark of Stanley Black & Decker, Inc., used under license.
es una marca registrada de Stanley Black & Decker, Inc., utilizada bajo licencia.
est une marque déposée de Stanley Black & Decker, Inc., utilisée sous licence.

© 2019 CRAFTSMAN

Product Manufactured by:	EMERSON TOOL COMPANY
Producto fabricado por:	8100 W. Florissant • St. Louis, MO 63136
Produit fabriqué par :	U.S. & Canada Only • É.-U. et Canada seulement



Definiciones: Símbolos y palabras de alerta de seguridad

Este manual de instrucciones utiliza los siguientes símbolos y palabras de alerta de seguridad para alertarle a usted de situaciones peligrosas y su riesgo de lesiones corporales o daños materiales.

⚠ PELIGRO: Indica una situación peligrosa que, si no se evita, causará la muerte o lesiones graves.

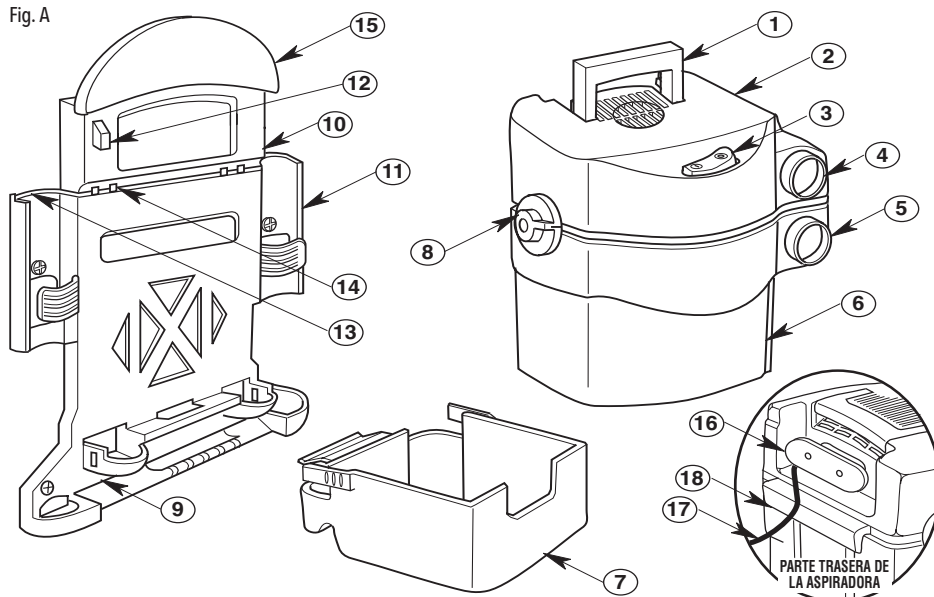
⚠ ADVERTENCIA: Indica una situación potencialmente peligrosa que, si no se evita, podría causar la muerte o lesiones graves.

⚠ PRECAUCIÓN: Indica una situación peligrosa que, si no se evita, es posible que cause lesiones leves o moderadas.

⚠ (Utilizado sin palabra) Indica un mensaje relacionado con la seguridad.

AVISO: Indica una práctica no relacionada con lesiones corporales que, si no se evita, es posible que cause daños materiales.

Fig. A



Componentes

- | | |
|--|---|
| ① Asa de transporte | ⑩ Armazón superior de almacenamiento |
| ② Ensamblaje del motor de la aspiradora | ⑪ Ranuras para tubos extensores (2) |
| ③ Interruptor de ENCENDIDO y APAGADO | ⑫ Lengüeta de liberación de la aspiradora |
| ④ Orificio de soplado | ⑬ Guardacordón |
| ⑤ Orificio de entrada de la aspiradora | ⑭ Retenedor del cordón |
| ⑥ Tambor para polvo de la aspiradora | ⑮ Área de almacenamiento de la manguera |
| ⑦ Receptáculo de almacenamiento de portaaccesorios | ⑯ Área del enrollador del cordón |
| ⑧ Cierres del tambor de la aspiradora (2) | ⑰ Cable de alimentación |
| ⑨ Armazón inferior de almacenamiento | ⑱ Gancho superior de la aspiradora |

⚠ ADVERTENCIA: Lea todas las advertencias de seguridad y todas las instrucciones. Si no se siguen las advertencias e instrucciones, es posible que el resultado sea descargas eléctricas, incendio y/o lesiones graves.

⚠ ADVERTENCIA: No modifique nunca el producto ni ninguna parte del mismo. El resultado de hacerlo podría ser daños o lesiones corporales.

⚠ ADVERTENCIA: Para reducir el riesgo de lesiones, lea el manual de instrucciones.

Si tiene preguntas o comentarios sobre este o cualquier otro producto, llame gratis a CRAFTSMAN al: **1-888-331-4569**.

INSTRUCCIONES DE SEGURIDAD IMPORTANTES

Cuando utilice esta aspiradora, siga siempre las precauciones básicas de seguridad, incluyendo las siguientes:

⚠️ ADVERTENCIA:

Para reducir el riesgo de incendio, sacudidas eléctricas o lesiones:

- Lea y entienda este Manual de instrucciones y todas las etiquetas que están colocadas en la aspiradora antes de utilizarla.
- Utilice la aspiradora únicamente de la manera que se describe en este manual.
- No deje la aspiradora en marcha mientras esté desatendida. Usted podría no notar señales importantes que indiquen un funcionamiento anormal, tal como pérdida de succión, residuos o líquido que salen por el escape o ruidos anormales del motor. Deje de usar la aspiradora inmediatamente si observa estas señales.
- No abandone la aspiradora cuando esté enchufada. Desenchúfela del tomacorriente cuando no la esté utilizando y antes de realizar servicio de revisión.
- Las chispas que se producen en el interior del motor pueden incendiar los vapores inflamables o el polvo. Para reducir el riesgo de incendio o explosión: No use la aspiradora cerca de líquidos, gases, o polvos combustibles tales como gasolina u otros combustibles, líquido encendedor, limpiadores, pinturas a base de aceite, gas natural, polvo de carbón, polvo de magnesio, polvo de granos de cereal, polvo de aluminio o pólvora.
- No recoja con la aspiradora nada que esté ardiendo o humeando, como cigarrillos, fósforos o cenizas calientes.
- Para evitar el riesgo de autoignición de los residuos contenidos en el tambor, vacíe el tambor después de cada uso. Los materiales combustibles tales como los trapos y el aserrín, especialmente si contienen tinte para madera o uretano, pueden ser causas de dicho sobrecalentamiento.
- No recoja con la aspiradora polvo de pared de yeso ni ceniza fría de chimenea o otros polvos finos con un filtro estándar. Estos materiales pueden pasar por el filtro y ser expulsados de vuelta al aire. Utilice un filtro para polvo fino en lugar de un filtro estándar.
- Para reducir el riesgo de inhalar vapores tóxicos, no recoja con la aspiradora materiales tóxicos o peligrosos ni la use cerca de dichos materiales.
- Esta aspiradora mojado/seco no se destina para utilizarse por personas (incluyendo niños) cuyas capacidades físicas, sensoriales o mentales sean diferentes o estén reducidas, o carezcan de experiencia o conocimiento, a menos que dichas personas reciban una supervisión o capacitación para el funcionamiento del aparato por una persona responsable de su seguridad.
- Para reducir el riesgo de descargas eléctricas, no exponga la aspiradora a la lluvia ni deje que entren líquidos en el compartimiento del motor. Guarde la aspiradora en un lugar interior.
- No permita que la aspiradora se utilice como un juguete. Se necesita prestar máxima atención cuando sea utilizada por niños o cerca de éstos.
- No use la aspiradora con un filtro desgarrado o sin tener el filtro instalado, excepto cuando recoja con ella líquidos de la manera que se describe en este manual. Los residuos secos absorbidos por el impulsor podrían dañar el motor o ser expulsados de vuelta al aire.
- Apague la aspiradora antes de desenchufarla.
- Para reducir el riesgo de lesiones debidas a un arranque accidental, desenchufe el cordón de energía antes de cambiar o limpiar el filtro.
- No desenchufe la aspiradora tirando del cordón. Para desenchufarla, agarre el enchufe y no el cordón.
- No use la aspiradora con el cordón dañado, el enchufe dañado u otras piezas dañadas. Si la aspiradora no funciona como debe, le faltan piezas, se ha caído, ha sido dañada, se ha dejado a la intemperie o se ha caído al agua, llame a servicio al cliente al 1-888-331-4569 (México 001-888-331-4569).
- No maneje el enchufe, el interruptor o la aspiradora con las manos mojadas.
- No tire de la aspiradora usando el cordón ni la lleve por el cordón, ni use el cordón como asa, ni cierre una puerta sobre el cordón, ni tire del cordón alrededor de bordes o esquinas afilados. No pase la aspiradora en marcha sobre el cordón. Mantenga el cordón alejado de las superficies calientes.
- Utilice únicamente cables de extensión con capacidad para uso a la intemperie y que tengan un conductor de conexión a tierra. Los cables de extensión que estén en malas condiciones o tengan un tamaño de alambre demasiado pequeño pueden presentar peligros de incendio y descargas eléctricas. Para reducir el riesgo de estos peligros, asegúrese de que el cable esté en buenas condiciones y que no entre ningún líquido en contacto con la conexión. No utilice un cable de extensión que tenga conductores de tamaño inferior a 1,3 mm² (16 AWG).
- Esta aspiradora tiene aislamiento doble, lo cual elimina la necesidad de un sistema independiente de conexión a tierra. Utilice únicamente piezas de repuesto idénticas. Lea las instrucciones de servicio de revisión de las aspiradoras para mojado/seco con aislamiento doble.
- No ponga ningún objeto en las aberturas de ventilación. No recoja nada con la aspiradora cuando cualquiera de las aberturas de ventilación esté bloqueada; mantenga dichas aberturas libres de polvo, pelusa, pelo o cualquier cosa que pueda reducir el flujo de aire.
- Mantenga el pelo, la ropa holgada, los dedos y todas las partes del cuerpo alejados de las aberturas y de las piezas móviles.
- Para reducir el riesgo de caídas, tenga cuidado adicional al limpiar en escaleras.
- Para reducir el riesgo de lesiones corporales o daños a la aspiradora, utilice únicamente accesorios recomendados por CRAFTSMAN.
- No monte el armazón de almacenamiento a más de 152 cm (5 pies) por encima del piso.
- No sujete los tornillos a una pared de yeso solamente. Asegúrese de que los tornillos estén sujetos a postes de pared en centros a 41 cm (16 pulgadas).
- No se siente en el armazón de almacenamiento ni se cuelgue de él.
- No exceda el límite de peso máximo de 40 libras en el armazón.
- Cuando se utilice como soplador:
 - Dirija la descarga de aire solamente hacia el área de trabajo.
 - No dirija el aire hacia las personas que estén presentes.
 - Mantenga alejados a los niños durante la operación de soplado.
 - No utilice el soplador para trabajos que no sean soplar suciedad y residuos.
 - No use la aspiradora como rociador.
- Para reducir el riesgo de lesiones en los ojos, use protección ocular de seguridad. La utilización de cualquier aspiradora u utilitaria o soplador utilitario puede hacer que se soplen objetos extraños hacia los ojos, lo cual puede causar daños graves en los ojos.

⚠ PRECAUCIÓN:

- Para reducir el riesgo de daños a la audición, use protectores de oídos cuando utilice la aspiradora durante un tiempo prolongado o en un área ruidosa.
- Para operaciones que generan polvo, use una máscara antipolvo.
- Las descargas de estática son comunes cuando la humedad relativa del aire es baja. Si recoge residuos finos con la aspiradora, se puede depositar carga estática en la manguera o en la aspiradora. El mejor remedio para reducir la frecuencia de las descargas de estática en su casa o cuando use esta aspiradora es añadir humedad al aire con un humidificador.

Siga las siguientes advertencias que aparecen en la caja del motor de la aspiradora.



AISLAMIENTO DOBLE.
NO SE REQUIERE CONEXION A TIERRA.
CUANDO HAGA SERVICIO DE REVISIÓN DE LA ASPIRADORA,
UTILICE ÚNICAMENTE PIEZAS DE REPUESTO IDÉNTICAS.

⚠ ADVERTENCIA:

- Para su propia seguridad, lea y entienda el manual del operador.
- No tenga en marcha la aspiradora desatendida.
- No recoja cenizas calientes, carbón caliente, materiales tóxicos ni inflamables ni otros materiales peligrosos.
- No utilice la aspiradora en las proximidades de líquidos o vapores explosivos.

⚠ ADVERTENCIA:

Para reducir el riesgo de sacudidas eléctricas, no exponga la aspiradora a la lluvia y almacénela en interiores.

REEMPLAZO GRATUITO DE LAS ETIQUETAS DE ADVERTENCIA: Si sus etiquetas de advertencia se vuelven ilegibles o faltan, llame al **1-888-331-4569** para obtener un reemplazo gratis.

GUARDE ESTAS INSTRUCCIONES

INTRODUCCIÓN

Esta aspiradora está diseñada para uso doméstico solamente. Se puede utilizar para la recogida ligera de medios mojados o secos. El diseño liviano per mite la utilización para realizar la mayoría de las tareas domésticas de aspiración pequeñas.

Lea este manual del operador para familiarizarse con las características del producto y para entender la utilización específica de su nueva aspiradora para mojado/seco.

ÍNDICE

Sección	Página
Instrucciones de seguridad importantes	45-46
Introducción	46
Contenido de la caja de cartón	47
Instalación	48-54
Ensamblaje de los armazones superior e inferior	48
Ensamblaje del recipiente de almacenamiento de accesorios en el armazón inferior	48
Montaje del armazón de almacenamiento en la pared	49
Ensamblaje de la aspiradora	50
Suspensión de la aspiradora en el armazón de almacenamiento	51
Remoción de la aspiradora del armazón de almacenamiento	52
Introduzca la manguera	52
Almacenamiento de accesorios	53
Almacenamiento del cable	53
Ensamblaje del difusor	53
Almacenamiento de la manguera	54

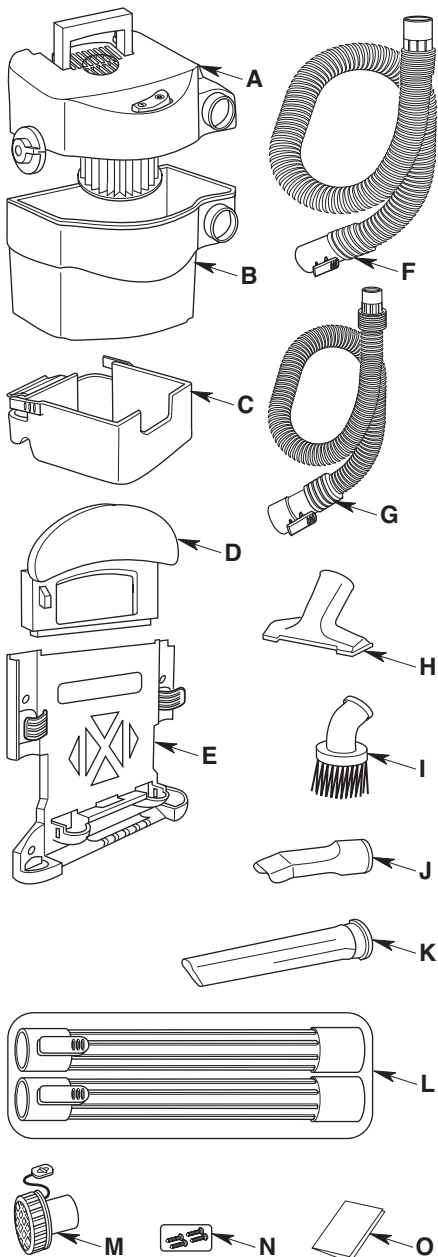
Sección	Página
Funcionamiento	55-57
Enchufe polarizado	55
Interruptor de encendido	55
Recogida de materiales secos con la aspiradora	56
Recogida de líquidos con la aspiradora	56
Vaciado del tambor	56
Dispositivo de soplado	57
Mantenimiento	58-59
Filtro	58
Remoción del filtro	58
Instalación del filtro	58
Limpieza del filtro	59
Limpieza de un filtro seco	59
Limpieza de un filtro mojado	59
Limpieza y desinfección de la aspiradora para mojado/seco	59
Almacenamiento	59
Servicio / Piezas de repuesto	60-61
Garantía	63

CONTENIDO DE LA CAJA DE CARTÓN (Fig. D)

Saque todo el contenido de la caja de cartón. Asegúrese de que no falte ningún artículo utilizando la lista del contenido de la caja.

Si alguna pieza está dañada o falta, llame de inmediato a servicio al cliente al 1-888-331-4569 (México 001-888-331-4569).

Fig. B



Clave	Descripción	CMXEVE179250 18 Litros (5 Galones)
A	Ensamblaje del motor de la aspiradora	1
B	Tambor para polvo de la aspiradora	1
C	Receptáculo de almacenamiento de portaaccesorios	1
D	Armazón superior de almacenamiento	1
E	Armazón inferior de almacenamiento	1
F	Ensamblaje de la manguera Pos-I-Lock® de 4,3 m (14 pies)	1
G	Ensamblaje de la manguera Pos-I-Lock® de 2,1 m (7 pies)	1
H	Boquilla utilitaria	1
I	Cepillo para polvo	1
J	Boquilla para auto	1
K	Boquilla rinconera	1
L	Tubos extensores	2
M	Difusor	1
N	Tornillos para madera No. 10 x 25 mm (1-3/4 pulg.)	4
O	Manual de instrucciones	1

Es posible que el filtro ya esté ensamblado. Los filtros de repuesto se venden como número de existencias: CMXZVE38741.

Herramientas necesarias:



Destornillador Phillips

INSTALACIÓN

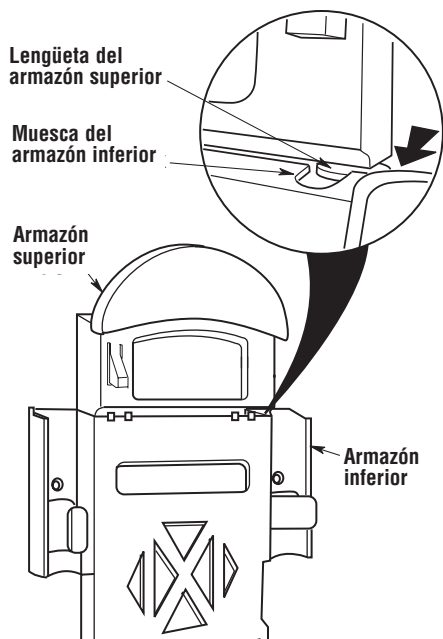
Ensamblaje del armazón superior e inferior (Fig. C)

1. Alinee las lengüetas del armazón superior con las muescas del armazón inferior.
2. Deslice el armazón superior hacia delante hasta que el gancho central del armazón inferior se acople con la pestaña inferior del armazón superior. Se escuchará un clic audible cuando el cierre se acople.

⚠ ADVERTENCIA:

Para reducir el riesgo de incendio o descargas eléctricas, desenchufe la aspiradora cuando no esté en uso. No la deje nunca en funcionamiento mientras esté desatendida.

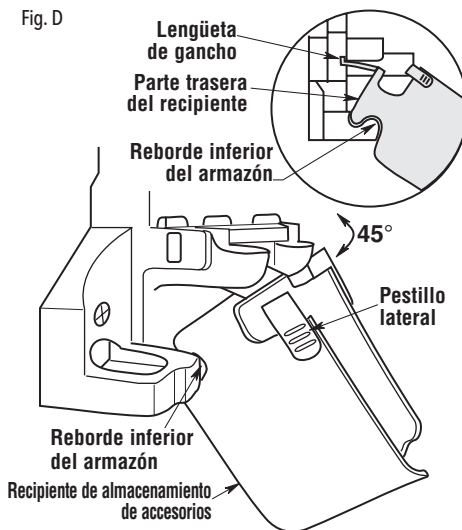
Fig. C



Ensamblaje del recipiente de almacenamiento de accesorios en el armazón inferior (Fig. D & E)

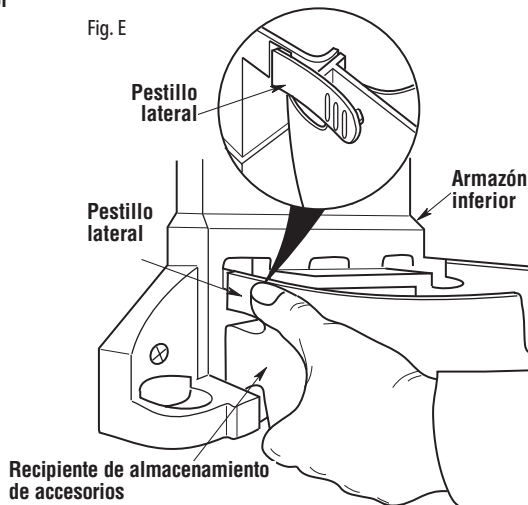
1. Con el recipiente de almacenamiento de accesorios angulado hacia abajo aproximadamente 45°, enganche la parte trasera de dicho recipiente sobre el reborde inferior del armazón.

Fig. D



2. Presione la lengüeta de gancho y gire el recipiente de almacenamiento de accesorios hacia arriba y hacia atrás hasta que la lengüeta se acople a presión en la abertura del armazón inferior.
3. Continúe girando el recipiente de almacenamiento de accesorios hasta que los pestillos laterales se acoplen en las aberturas del armazón y el recipiente de almacenamiento de accesorios esté en posición horizontal.

Fig. E

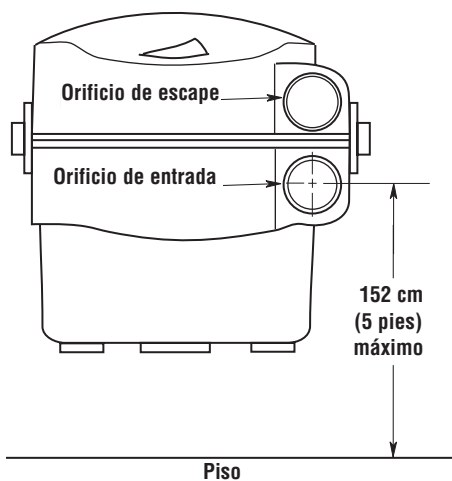


Montaje del armazón de almacenamiento en la pared (Fig. F)

⚠ ADVERTENCIA:

- No monte el armazón a más de 152 cm (5 pies) de altura sobre el piso.
 - No sujete los tornillos a pared de yeso solamente. Asegúrese de que los tornillos estén sujetos a postes de pared en centros a 41 cm (16 pulgadas).
 - No se sienta en el armazón de almacenamiento ni se cuelgue de él.
 - No exceda el límite de peso máximo de 40 libras.
1. Elija una ubicación que esté en el interior y no esté expuesta a la lluvia. Para obtener el mejor rendimiento y facilitar el acceso, posicione el armazón de almacenamiento de manera que el centro del orificio de entrada de la aspiradora no esté a más de cinco pies por encima del piso y a no más de 46 cm (18 pies) del tomacorriente.
 2. Los agujeros para tornillo ubicados en el armazón de almacenamiento están separados 41 cm (16 pulgadas) uno de otro para corresponder con la separación de los postes de pared estándar. Localice dos postes de pared y posicione el armazón de almacenamiento de modo que los cuatro agujeros para tornillo estén sobre los postes de pared.
 3. Nivele el armazón y marque las ubicaciones de los agujeros. Taladre un agujero piloto de 3,2 mm (1/8 de pulgada) de diámetro en cada ubicación.

Fig. F



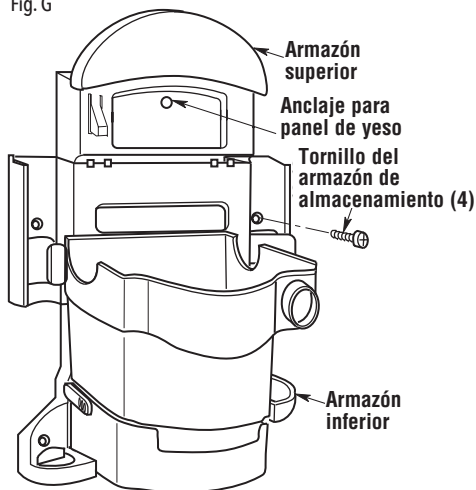
4. Sujete el armazón de almacenamiento a los postes de pared utilizando los cuatro tornillos suministrados. Asegúrese de que los cuatro tornillos se aprieten firmemente en los postes de pared.
5. Utilice el anclaje para panel de yeso (suministrado) para sujetar firmemente el armazón superior a la pared. Taladre un agujero piloto de 6,5 mm (1/4 de pulgada) de diámetro en el panel de yeso. Inserte el anclaje y clave la cabeza metálica firmemente contra la arandela de plástico.
6. Si los postes de pared no están ubicados de modo que estén separados 41 cm (16 pulgadas) o si la ubicación deseada no se alinea con los postes de pared, se debe sujetar un panel de madera contrachapada de 12,7 mm (1/2 pulgada) de grosor por 30 pulgadas de ancho a los postes de pared, deben utilizando los cuatro tornillos suministrados.
7. Una vez hecho esto, el armazón de almacenamiento se podrá sujetar al panel de madera contrachapada con cinco tornillos de cabeza troncocónica o redonda No. 10 de 1 pulgada para madera (no suministrados).

NOTA: Los tornillos para madera suministrados están diseñados para realizar montajes en construcción de pared típica que consiste en panel de yeso de 15,9 mm (5/8 de pulgada) o menos.

⚠ PRECAUCIÓN:

Para evitar que la madera contrachapada, el armazón de almacenamiento o la aspiradora para mojado/seco se caigan, asegúrese de haber seleccionado el elemento de sujeción de longitud apropiada para montar firmemente el armazón de almacenamiento en la pared.

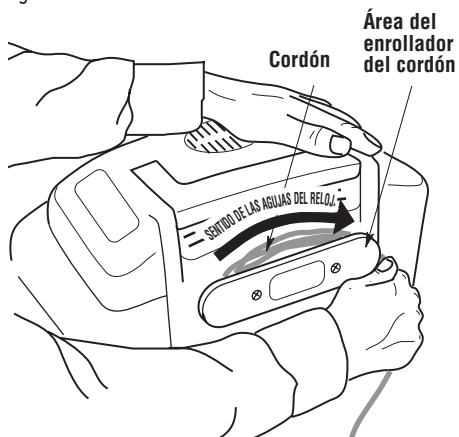
Fig. G



Ensamblaje de la aspiradora (Fig. H, I, J & K)

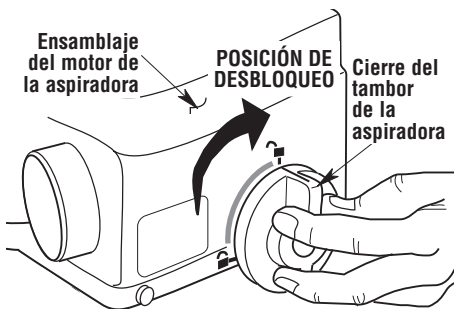
1. Enrolle el cordón eléctrico en el sentido de las agujas del reloj (desde la parte de atrás) alrededor del área del enrollador del cordón ubicado en la parte de atrás del ensamblaje del motor de la aspiradora.

Fig. H



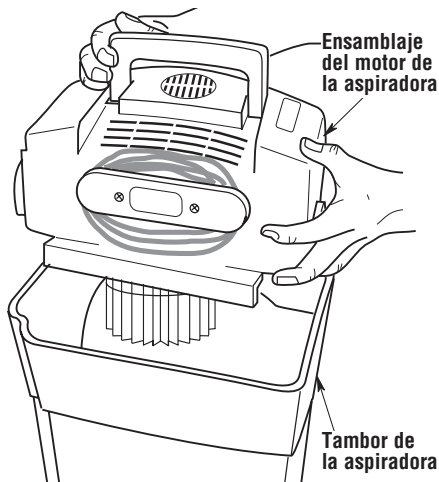
2. Posicione el cierre del tambor de la aspiradora en la posición de desbloqueo.

Fig. I



3. Coloque el ensamblaje del motor de la aspiradora sobre el ensamblaje del tambor de la aspiradora.

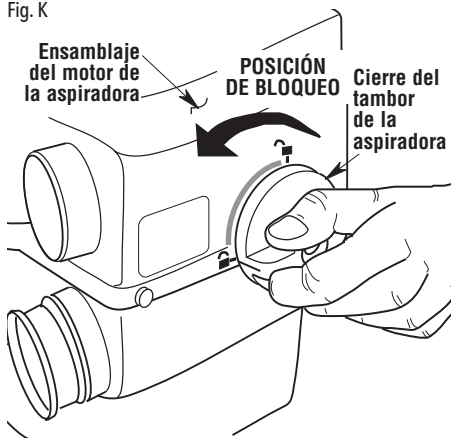
Fig. J



4. Gire el cierre del tambor de la aspiradora hasta la posición de bloqueo.

NOTA: Hay un retén al final del recorrido tanto en la posición bloqueada como en la posición desbloqueada. Continúe girando el pomo hasta que "se acople con un chasquido" en la posición deseada. Usted debe sentir y oír el "chasquido".

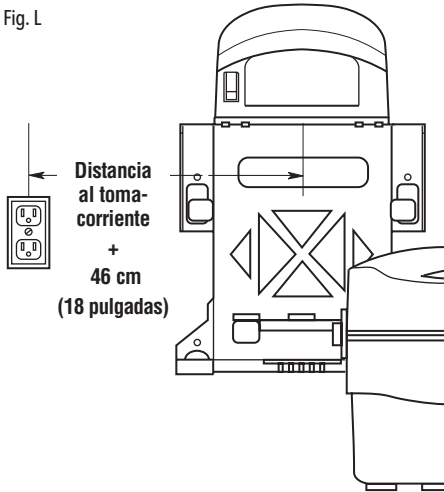
Fig. K



Suspensión de la aspiradora en el armazón de almacenamiento (Fig. L, M, N, O & P)

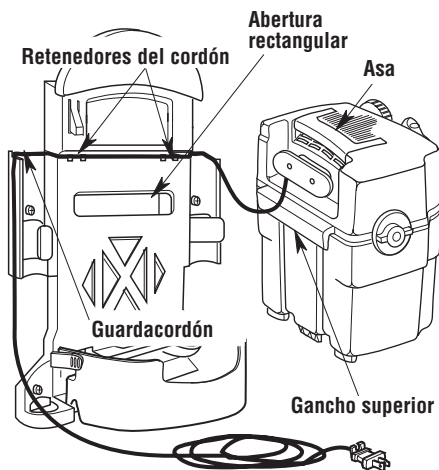
1. Ponga la aspiradora en el piso cerca del armazón de almacenamiento. Mida la distancia desde el centro del armazón de almacenamiento hasta el tomacorriente más cercano y añada 46 cm (18 pulgadas).

Fig. L



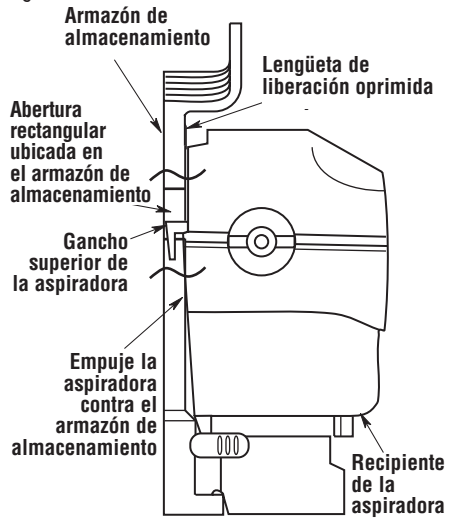
2. Desenrolle esa longitud del cordón de energía ubicado en el enrollador del cordón. Deje colgar el cordón suelto sobre la parte de arriba de la aspiradora y hacia abajo por la parte delantera.
3. Agarre el asa con una mano y la parte inferior del tambor de la aspiradora con la otra mano. Levante siempre la aspiradora con las dos manos. Levante la aspiradora hasta el armazón de almacenamiento.

Fig. M



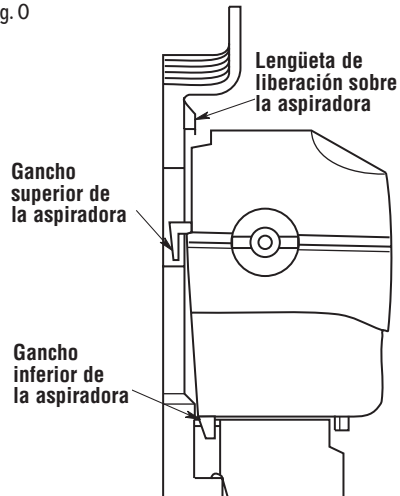
4. Alinee el gancho superior de la aspiradora con la abertura rectangular ubicada en el armazón de almacenamiento. Empuje la aspiradora contra el armazón de almacenamiento.

Fig. N



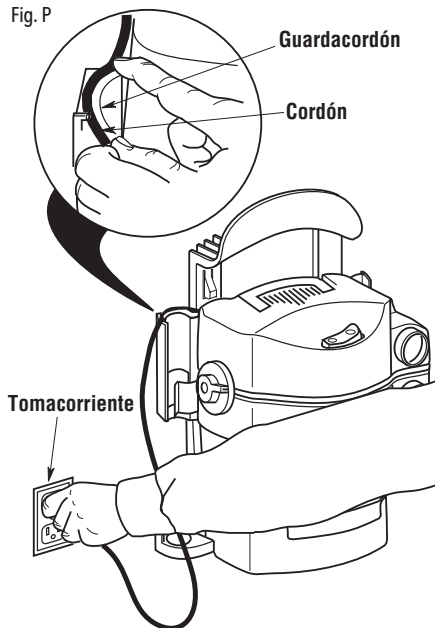
5. Baje la aspiradora hasta que el gancho superior de la aspiradora y el gancho inferior estén acoplados y la parte inferior del tambor de la aspiradora de la aspiradora descanse sobre el armazón. La lengüeta de liberación sobresaldrá por la parte de arriba de la aspiradora.

Fig. O



- Acople a presión el cordón de energía en los retenedores del cordón ubicados en la superficie delantera del armazón y forme bucles con el cordón alrededor del guardacordón detrás del área de almacenamiento de los tubos. El cordón podrá salir tanto por el lado izquierdo como por el derecho. Enchufe el cordón de energía en el tomacorriente. No sujete el cordón de energía a la pared de ningún modo.

Fig. P



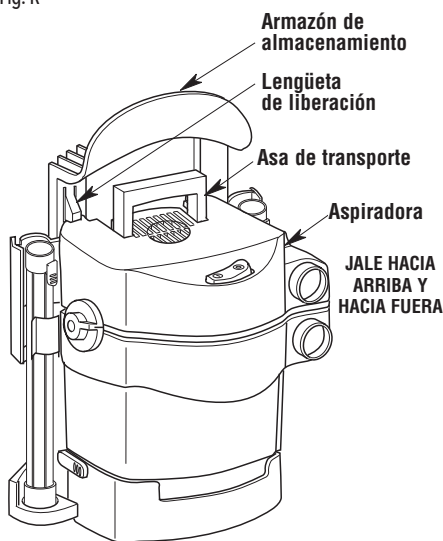
Remoción de la aspiradora del armazón de almacenamiento (Fig. R)

⚠ ADVERTENCIA:

Desenchufe la aspiradora y retire el cable de alimentación del armazón antes de retirar la aspiradora.

- Con la mano derecha, suba el asa de transporte.
- Con la mano izquierda, oprima la lengüeta de liberación ubicada en la esquina superior izquierda del armazón de almacenamiento.
- Levante el asa de transporte y tire de la aspiradora hacia arriba y hacia fuera del armazón de almacenamiento.

Fig. R

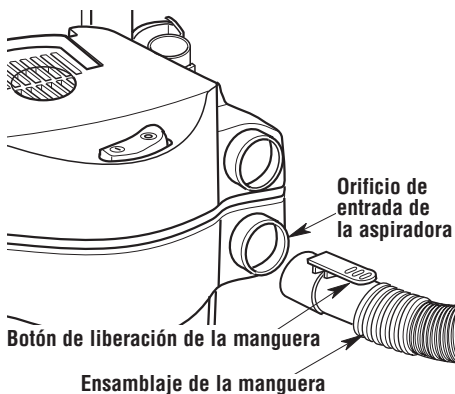


Introduzca la manguera (Fig. Q)

Inserte el extremo de fijación del ensamblaje de la manguera en la entrada de la aspiradora. La manguera debería acoplarse a presión en su sitio.

Para sacar la manguera de la aspiradora, oprima el botón de liberación ubicado en el ensamblaje de la manguera y tire de la manguera hasta sacarla de la entrada de la aspiradora, de la manera que se muestra en la ilustración.

Fig. Q

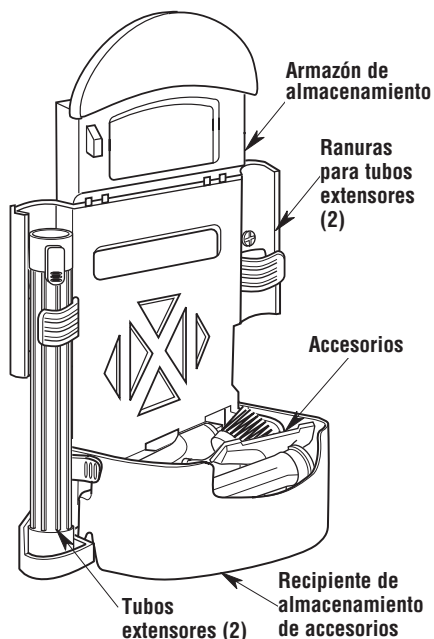


Almacenamiento de accesorios (Fig. S)

Los accesorios: La boquilla utilitaria, el cepillo para polvo, la boquilla para auto y la boquilla rinconera se pueden almacenar en la parte inferior del armazón de almacenamiento, en el recipiente de almacenamiento de accesorios.

Los dos tubos extensores se pueden almacenar en las ranuras para tubos extensores, ubicadas a ambos lados del armazón de almacenamiento.

Fig. S



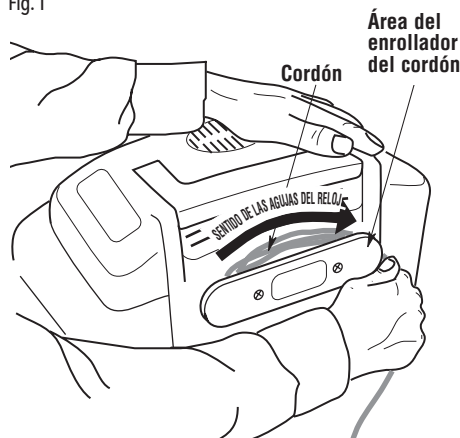
Almacenamiento del cable (Fig. T)

Cuando la aspiradora para mojado/seco no esté en uso, se deberá desenchufar del tomacorriente.

1. Enrolle el cable de alimentación en el sentido de las agujas del reloj (desde la parte trasera) alrededor del área de enrollado del cable ubicada en la parte trasera del ensamblaje del motor de la aspiradora.
2. Para sujetar firmemente el cable de alimentación, acóplelo a presión en el clip para cable.

NOTA: Toda la longitud del cable se deberá enrollar alrededor del área de enrollado del cable para eliminar cualquier peligro de tropezar creado por un cable que cuelgue con holgura.

Fig. T

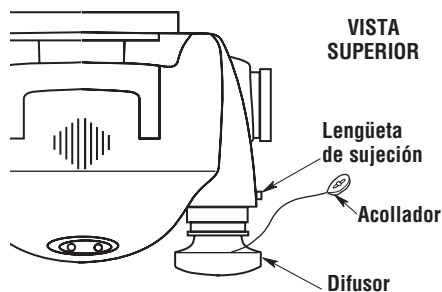


Ensamblaje del difusor (Fig. U)

Conecte el acollador a la lengüeta de sujeción ubicada en el ensamblaje del motor de la aspiradora, para mantener el difusor sujeto a la aspiradora cuando utilice el orificio para soplador.

La tapa del difusor se puede utilizar en el orificio de escape de la aspiradora para mojado/seco. La instalación de la tapa del difusor le permitirá dispersar el aire de escape en cualquier dirección y reducir la intensidad de la fuerza del aire de escape.

Fig. U



Almacenamiento de la manguera (Fig. V & W)

Enrolle las mangueras Pos-I-Lock® alrededor del armazón de almacenamiento superior y alrededor de la unidad de la aspiradora para mojado/seco, de la manera que se muestra en la ilustración.

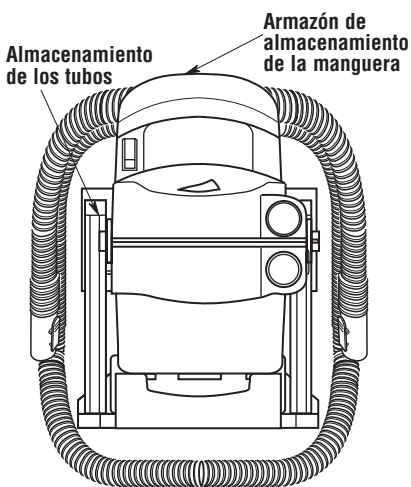
⚠ PRECAUCIÓN:

No utilice la aspiradora mientras la manguera aún esté enrollada alrededor del ensamblaje del cabezal del motor en la posición de almacenamiento.

⚠ ADVERTENCIA:

No ponga ningún objeto en las aberturas de ventilación. No aspire si alguna abertura de ventilación está bloqueada; mantenga las aberturas de ventilación libres de polvo, pelusa, pelo o cualquier cosa que pueda reducir el caudal de aire.

Fig. V



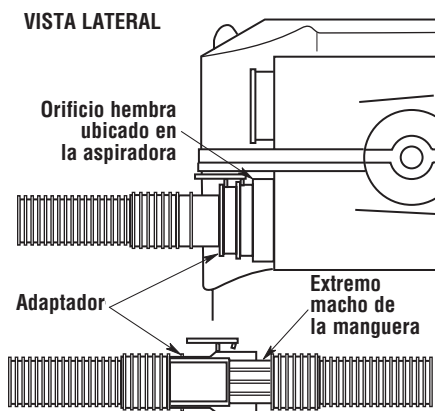
NOTA: La manguera Pos-I-Lock® tiene un adaptador que se puede utilizar para conectarla al puerto hembra de la aspiradora o al extremo macho de otra manguera. Tanto la manguera de 2,1 m (7 pies) como la de 4,3 m (14 pies) se pueden utilizar conectadas una a otra o independientemente una de otra.

La manguera de 4,3 m (14 pies) tiene un adaptador de fijación en un extremo, que conectará a la aspiradora, y un conector de ajuste por fricción en el otro extremo, que conectará a todos los accesorios de 2,5 cm (1-7/8 de pulgada) o a una segunda manguera.

La manguera de 2,1 m (7 pies) tiene un extremo de fijación en sus dos extremos. El más grande de estos extremos tiene el tamaño adecuado para conectar a la aspiradora o al extremo de ajuste por fricción de la manguera de 4,3 m (14 pies), y el más pequeño de estos extremos tiene el tamaño adecuado para fijar todos los accesorios de 2,5 cm (1-7/8 de pulgada).

Para conectar estas dos mangueras una a otra, conecte primero la manguera de 4,3 m (14 pies) a la aspiradora para mojado/seco. Luego, conecte la manguera de 2,1 m (7 pies) a la manguera de 4,3 m (14 pies), insertando el extremo de ajuste por fricción de la manguera más larga en el extremo de fijación más grande de la manguera más corta. Esto creará una conexión por fricción.

Fig. W



FUNCIONAMIENTO

⚠ ADVERTENCIA:

Para reducir el riesgo de incendio, explosión o daños a la aspiradora:

- No deje la aspiradora en marcha mientras esté desatendida. Usted podría no notar señales importantes que indiquen un funcionamiento anormal, tal como pérdida de succión, residuos o líquido que salen por el escape o ruidos anormales del motor. Deje de usar la aspiradora inmediatamente si observa estas señales.
- No deje la aspiradora enchufada cuando no se esté utilizando.
- No continúe usando la aspiradora cuando el flotador haya cortado la succión.
- Las chispas generadas dentro del motor pueden incendiar los materiales inflamables suspendidos en el aire. No utilice la aspiradora cerca de líquidos inflamables ni en áreas con gases o vapores inflamables o polvo explosivo/suspendido en el aire. Los líquidos inflamables, gases inflamables y los vapores inflamables incluyen: líquido encendedor, limpiadores tipo solvente, pinturas a base de aceite, gasolina, alcohol y rociadores tipo aerosol. Los polvos explosivos incluyen: carbón, magnesio, aluminio, grano de cereal y pólvora.
- No recoja con la aspiradora polvos explosivos, líquidos inflamables ni cenizas calientes.
- No deje aserrín ni trapos con residuos de tinte o de poliuretano dentro de la aspiradora. Vacíe el tambor después de recoger estos materiales potencialmente autocalentables.

⚠ ADVERTENCIA:

Para reducir el riesgo de descargas eléctricas o lesiones:

- No exponga la aspiradora a la lluvia ni deje que entre líquido en el compartimiento del motor. Almacene la aspiradora en un lugar interior.
- No maneje el enchufe, el interruptor o la aspiradora con las manos mojadas.
- No haga servicio de ajustes y reparaciones de la aspiradora mientras esté enchufada. Si la aspiradora no está funcionando como debería, le faltan piezas, se ha caído, está dañada, se ha dejado a la intemperie o se ha caído al agua, llame a servicio al cliente al 1-888-331-4569 (México 001-888-331-4569).
- Cuando utilice un cordón de extensión, utilice únicamente cordones con capacidad nominal para uso a la intemperie que estén en buenas condiciones. No deje que la conexión entre en contacto con líquido.

⚠ PRECAUCIÓN:

Para reducir el riesgo de daños a la audición, use protectores de oídos cuando utilice la aspiradora/soplador durante un tiempo prolongado o en un área ruidosa.

Enchufe polarizado

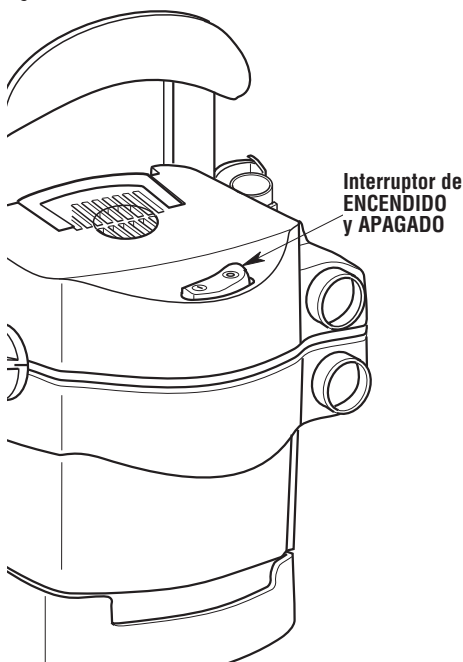
Para reducir el riesgo de sacudidas eléctricas, este aparato electrodoméstico tiene un enchufe polarizado (una hoja es más ancha que la otra). Este enchufe entrará en un tomacorriente polarizado solamente de una manera. Si el enchufe no entra por completo en el tomacorriente, déle la vuelta. Si sigue sin entrar, póngase en contacto con un electricista competente para instalar el tomacorriente adecuado. No haga ningún tipo de cambio en el enchufe.

Interruptor de encendido (Fig. X)

Después de enchufar el cordón de energía en el tomacorriente, encienda la unidad empujando el interruptor de la posición "O" a la posición "I". Los símbolos utilizados en el accionador del interruptor son los símbolos internacionales de "encendido y apagado":

○ = APAGADO | = ENCENDIDO

Fig. X



Recogida de materiales secos con la aspiradora

1. El filtro debe estar siempre en la posición correcta para reducir el riesgo de fugas y posibles daños a la aspiradora.
2. Cuando utilice la aspiradora para recoger polvo muy fino, será necesario que usted vacíe el tambor y limpie el filtro a intervalos más frecuentes para mantener el máximo rendimiento de la aspiradora.

NOTA: Se necesita un filtro para medios secos para recoger material seco. Si utiliza la aspiradora para recoger polvo cuando el filtro esté mojado, éste se taponará rápidamente y será muy difícil limpiarlo. Seque el filtro antes de almacenar.

Recogida de líquidos con la aspiradora

⚠ **ADVERTENCIA:**

No utilice la aspiradora sin la jaula del filtro y el flotador, ya que estas piezas evitan que entre líquido en el impulsor y dañe el motor. Para recoger material seco, no utilice la aspiradora sin tener instalada la bolsa de filtro, para reducir el riesgo de daños al motor.

⚠ **ADVERTENCIA:**

Para reducir el riesgo de incendio o explosión, no aspire líquidos, gases ni polvos inflamables o combustibles.

1. Cuando recoja cantidades pequeñas de líquido, se podrá dejar colocado el filtro en la aspiradora.
2. Al recoger grandes cantidades de líquido recomendamos quitar el filtro. Si no se quita el filtro, éste se saturará y podrá aparecer niebla en el escape.
3. Cuando recoja cantidades grandes de líquido, recomendamos retirar la aspiradora del armazón de almacenamiento y ponerla en el piso. Cuando la aspiradora esté llena de agua, pesará aproximadamente 40 libras y es posible que sea difícil retirarla del armazón de almacenamiento. Vacíe siempre la aspiradora y seque el filtro inmediatamente después de recoger líquidos.
4. Cuando el líquido contenido en el recipiente de la aspiradora alcance un nivel predeterminado, el mecanismo de flotador subirá automáticamente para cortar la circulación de aire. Cuando esto ocurra, apague la aspiradora, desenchufe el cordón de energía y vacíe el tambor. Sabrá que el flotador ha cortado la circulación de aire porque la succión cesará y el ruido del motor alcanzará una frecuencia más alta debido al aumento de la velocidad del motor.

5. Después de utilizar la aspiradora para recoger líquidos, se debe secar el filtro para evitar una posible formación de moho y posibles daños al filtro.

IMPORTANTE: Para reducir el riesgo de dañar la aspiradora, no haga funcionar el motor con el flotador en la posición subida.

Vaciado del tambor (Fig. Y)

⚠ **ADVERTENCIA:**

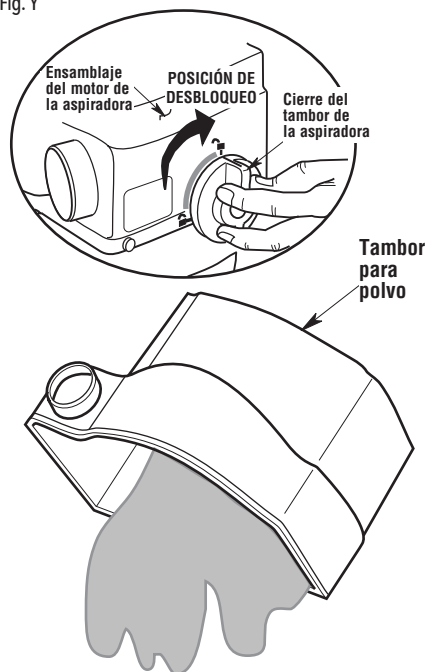
Para reducir el riesgo de lesiones por causa de un arranque accidental, desenchufe el cordón de energía antes de vaciar el tambor de la aspiradora.

1. Con la aspiradora retirada del armazón de almacenamiento (consulte la sección Remoción de la aspiradora del armazón de almacenamiento), quite el ensamblaje del motor de la aspiradora del ensamblaje del tambor de la aspiradora.
2. Ponga el ensamblaje del motor de la aspiradora en posición invertida en un área limpia mientras vacía el tambor de la aspiradora.
3. Vierta el contenido del tambor de la aspiradora en el recipiente de eliminación de residuos apropiado.

⚠ **ADVERTENCIA:**

Para reducir el riesgo de lesiones en la espalda o de caídas, no levante una aspiradora que pese mucho debido a que contiene líquido o residuos. Saque o vierta bastante contenido para hacer que la aspiradora sea lo suficientemente liviana como para poder levantarla cómodamente.

Fig. Y



Dispositivo de soplado (Fig. Z)

La aspiradora cuenta con un orificio de soplado. Este dispositivo puede soplar aserrín y otros residuos. Siga los pasos que se indican a continuación para utilizar la aspiradora como soplador.

1. Localice el orificio de soplado (la entrada superior del ensamblaje del motor de la aspiradora) de la aspiradora.
2. Inserte el extremo de fijación de la manguera "Pos-I-Lock®" en el orificio de soplado de la aspiradora. La manguera se deberá acoplar a presión en la posición correcta. Para retirar la manguera de la aspiradora, presione el botón de liberación ubicado en el ensamblaje de la manguera y jale la manguera hacia fuera para sacarla del orificio de entrada de la aspiradora.
3. (Opcional) Instale el tubo extensor en el extremo opuesto de la manguera y luego coloque la boquilla para auto en el tubo.
4. Encienda la aspiradora y estará lista para utilizarla como soplador.

⚠ ADVERTENCIA:

Use siempre protectores oculares de seguridad que cumplan con la norma ANSI Z87.1 (o en Canadá, con la norma CSA Z94.3) antes de utilizar la aspiradora como soplador.

⚠ ADVERTENCIA:

Para reducir el riesgo de lesiones a las personas que estén presentes, manténgalas alejadas de los residuos soplados.

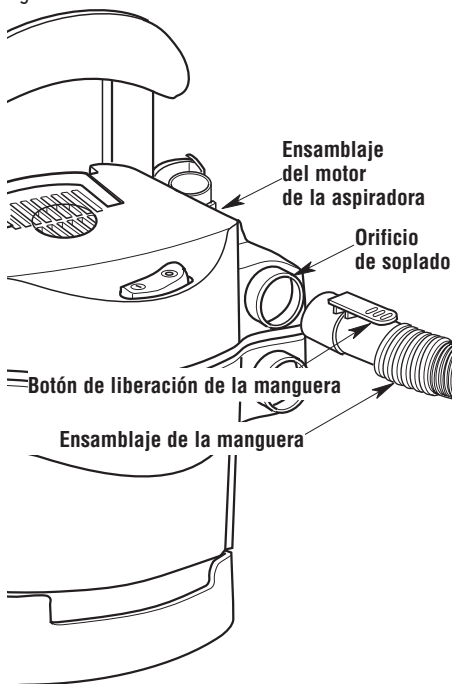
⚠ PRECAUCIÓN:

Use una máscara antipolvo si el soplado genera polvo que podría ser inhalado.

⚠ PRECAUCIÓN:

Para reducir el riesgo de daños a la audición, use protectores de oídos cuando utilice la aspiradora/soplador durante un tiempo prolongado o en un área ruidosa.

Fig. Z



MANTENIMIENTO

Filtro

⚠️ ADVERTENCIA:

Para reducir el riesgo de lesiones por causa de un arranque accidental, desenchufe el cordón de energía antes de cambiar o limpiar el filtro.

NOTA: Este filtro está hecho de papel de alta calidad diseñado para detener partículas de polvo muy pequeñas. El filtro se puede utilizar para recoger material mojado o seco. Maneje el filtro con cuidado cuando lo quite para limpiarlo o cuando lo instale. Es posible que se formen arrugas en los pliegues del filtro como resultado de la instalación, pero las arrugas no afectarán el rendimiento del filtro.

Remoción e instalación del filtro Qwik Lock™ (Fig. AA)

IMPORTANTE: Para evitar dañar la rueda del soplador y el motor, reinstale siempre el filtro antes de utilizar la aspiradora para recoger material seco.

Remoción del filtro

1. Sostenga las lengüetas del filtro Qwik Lock™ en cada mano.
2. Con un dedo pulgar en el vástago Qwik Lock™, que sobresale a través de la placa del filtro integrada, levante las lengüetas del filtro a la vez que empuja hacia abajo sobre el vástago.
3. Esta acción hará que el filtro se suelte de la jaula del filtro. Deslice el filtro hasta retirarlo de la jaula.

⚠️ ADVERTENCIA:

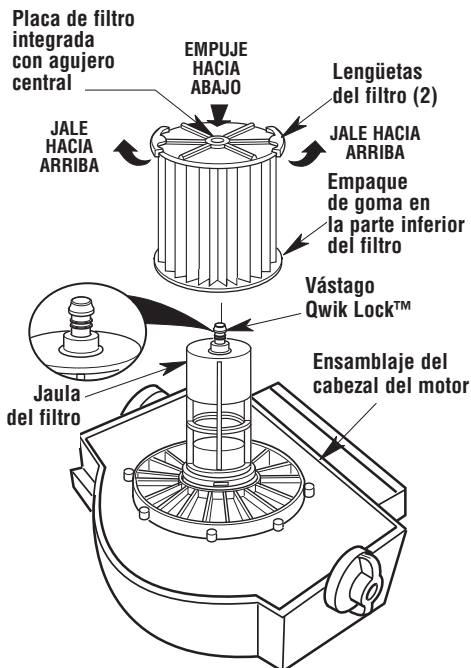
No utilice la aspiradora sin la jaula del filtro y el flotador, ya que estas piezas evitan que entre líquido en el impulsor y dañe el motor.

Instalación del filtro

1. Deslice cuidadosamente el filtro Qwik Lock™ sobre la jaula del filtro y presione hacia abajo sobre el borde exterior del filtro hasta que el empaque de goma ubicado en la parte inferior del filtro se asiente firmemente alrededor de la base de la jaula del filtro y contra el ensamblaje del cabezal del motor.
2. Alinee el agujero central pequeño ubicado en la parte superior del filtro sobre el vástago Qwik Lock™ ubicado en la jaula del filtro. Presione firmemente sobre la parte de arriba del filtro cerca del vástago, para permitir que el filtro se acople a presión sobre la bola ubicada en el extremo del vástago. Una vez hecho esto, el filtro estará instalado.

NOTA: Si no se asienta apropiadamente el empaque inferior, el resultado podría ser que los residuos pasen por alto el filtro.

Fig. AA



Limpeza del filtro

Se debe limpiar a menudo el filtro para mantener el rendimiento máximo de la aspiradora.

Asegúrese de secar el filtro antes de almacenar la aspiradora o recoger residuos secos.

IMPORTANTE: Después de limpiar el filtro, compruebe si éste tiene desgarraduras o agujeros pequeños. No utilice un filtro que tenga agujeros o desgarraduras. Incluso un agujero pequeño puede hacer que salga mucho polvo de la aspiradora. Reemplace el filtro inmediatamente.

Limpeza de un filtro seco

Se puede lograr un poco de remoción de residuos secos sin quitar el filtro de la aspiradora. Dé una palmada con la mano sobre la parte superior del ensamblaje del cabezal del motor mientras la aspiradora está APAGADA.

Para obtener óptimos resultados de limpieza debido a la acumulación de polvo, limpie el filtro en un área abierta. La limpieza SE DEBE realizar al aire libre y no en el interior de la vivienda.

Después de quitar el filtro de la aspiradora, saque los residuos secos golpeando suavemente el filtro contra la pared interior del tambor para polvo.

Los residuos se soltarán y caerán. Para una limpieza a fondo del filtro seco con polvo fino (sin residuos), haga pasar agua a través del filtro tal como se describe bajo "Limpeza de un filtro mojado".

Limpeza de un filtro mojado

Después de quitar el filtro, haga pasar agua a través de él usando una manguera o desde una espita. Tenga cuidado de que la presión del agua procedente de la manguera no sea tan fuerte como para dañar el filtro.

Limpeza y desinfección de la aspiradora para mojado/seco

Para mantener el mejor aspecto posible de la aspiradora para mojado/seco, limpie su exterior con un paño humedecido con agua templada y un jabón suave.

Para limpiar el tambor:

1. Vacíe los residuos del tambor.
2. Lave a fondo el tambor con agua templada y un jabón suave.
3. Limpie el tambor con un paño seco.

Antes de un almacenamiento prolongado o según sea necesario (por ejemplo, si se recogen aguas residuales), se debe desinfectar el tambor.

Para desinfectar el tambor:

1. Vierta 4 L (1 galón) de agua y 5 mL (1 cucharadita) de blanqueador de cloro en el tambor.
2. Deje que la solución repose durante 20 minutos y agítela cuidadosamente cada pocos minutos, asegurándose de mojar todas las superficies interiores del tambor.
3. Vacíe el tambor después de 20 minutos. Enjuáguelo con agua hasta que el olor a blanqueador desaparezca. Deje que el tambor se seque completamente antes de sellar el motor sobre el tambor.

Almacenamiento

Antes de almacenar la aspiradora, se debe vaciar y limpiar el tambor para polvo. El cable de alimentación se deberá enrollar alrededor de las áreas de enrollado del cable y se deberá sujetar firmemente utilizando el clip para cable ubicado en el enchufe. La manguera se deberá almacenar tal y como se describe en este manual. Los accesorios se deben mantener en la misma área que la aspiradora para que estén al alcance de la mano cuando se necesiten. La aspiradora se debe almacenar en interiores.

⚠ ADVERTENCIA:

Para garantizar la SEGURIDAD y CONFIABILIDAD del producto, cualquier otro mantenimiento, reparación y ajuste deberá ser realizado por los Centros de Servicio Autorizados, utilizando siempre piezas de repuesto CRAFTSMAN.


SERVICIO / PIEZAS DE REPUESTO

Aspiradora para mojado/seco de 18 Litros (5 Galones)

No. de modelo: CMXEVB179250

Clasificaciones eléctricas: 120 V~ 8,5 A 60 Hz

⚠ ADVERTENCIA: SERVICIO DE AJUSTES Y REPARACIONES DE UNA ASPIRADORA PARA MOJADO/SECO CON AISLAMIENTO DOBLE

En una aspiradora para mojado/seco con aislamiento doble se proporcionan dos sistemas de aislamiento en vez de conexión a tierra. No se proporciona ningún medio de conexión a tierra en un aparato electrodoméstico con aislamiento doble, ni se debe añadir a éste ningún medio de conexión a tierra. El servicio de ajustes y reparaciones de una aspiradora para mojado/seco con aislamiento doble requiere extremado cuidado y conocimiento del sistema, y debe ser realizado únicamente por personal de servicio competente. Las piezas de repuesto para la aspiradora para mojado/seco con aislamiento doble deben ser idénticas a las piezas que reemplazan. La aspiradora para mojado/seco con aislamiento doble está marcada con las palabras "DOUBLE INSULATED" (con aislamiento doble) y puede que el símbolo  (un cuadrado dentro de un cuadrado) también esté marcado en los aparatos. Para reducir el riesgo de lesiones, desenchufe el cable de alimentación antes de realizar servicio de ajustes y reparaciones de la aspiradora para mojado/seco.

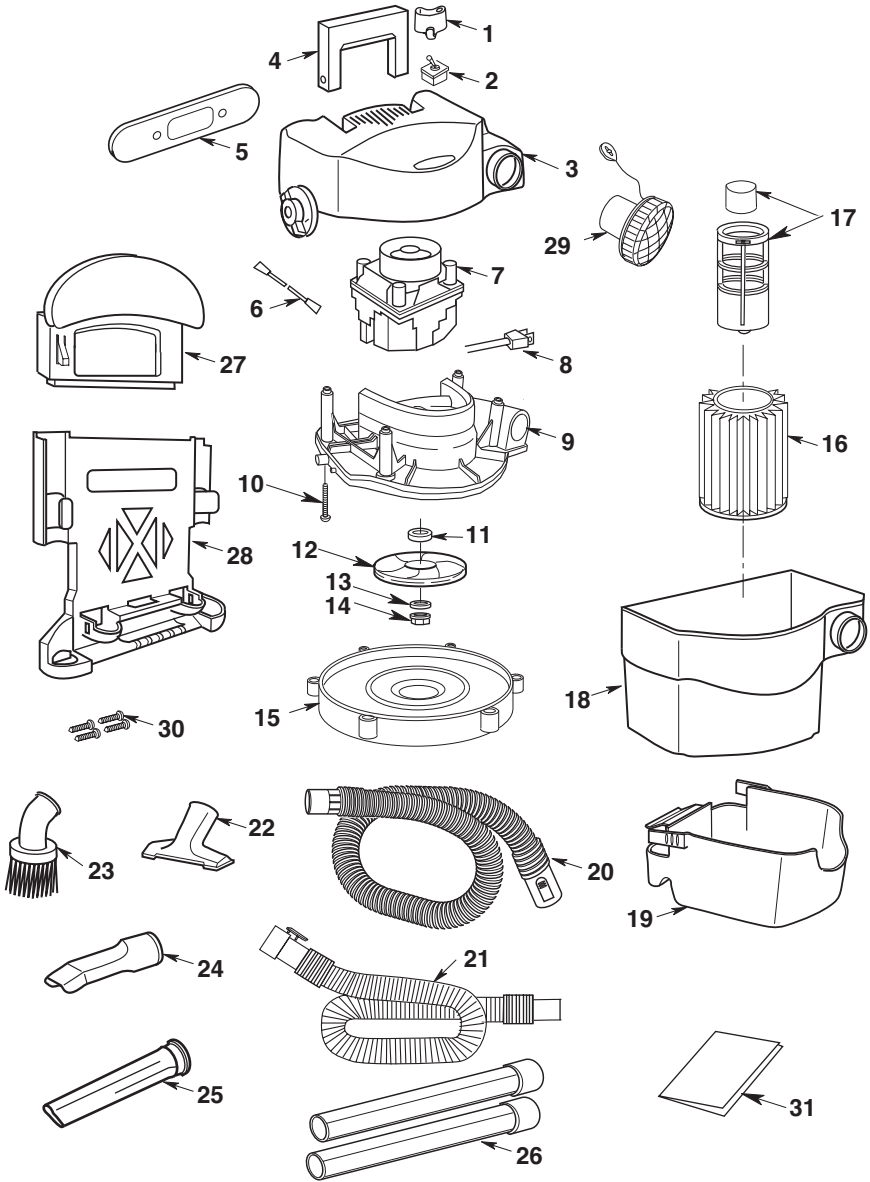
⚠ ADVERTENCIA: Para reducir el riesgo de lesiones, desenchufe el cable de alimentación antes de hacer servicio de ajustes y reparaciones de la aspiradora para mojado/seco.

⚠ ADVERTENCIA: Todo el desmontaje y todas las reparaciones deberán ser realizados por personal calificado.

Pida siempre por número de pieza –no por número de clave

No. de clave	No. de pieza	Descripción
1	830953	Accionador del interruptor
2	73180	Interruptor basculante
3	509864	Cubierta del motor (incluye los números de clave 1, 2, 4, 5 y 8)
4	830663	Asa de transporte
5	830666	Retenedor del cable
6	819260-5	Ensamblaje de hilos de conexión
7	509776-19	Ensamblaje del motor (incluye los números de clave 6, 11, 12, 13 y 14)
8	833270	Ensamblaje del cable
9	509863	Ensamblaje de la tapa
10	820563-4	Tornillo de cabeza troncocónica tipo "AB" 10 x 19 mm (3/4 de pulgada)
11	818961	Espaciador
12	818413-3	Rueda de soplador
13	315534-1	Arandela
14	826817	Tuerca hexagonal con pestaña de 1/4-20
15	828838	Colector
16	CMXZVBE38754	Filtro

No. de clave	No. de pieza	Descripción
17	823201-2	Ensamblaje de la jaula del filtro
18	509862-1	Tambor de la aspiradora
19	830672	Recipiente de almacenamiento de accesorios
20	830673	Manguera Pos-I-Lock® de 4,3 m (14 pies)
21	CMXZVBE38761	Manguera Pos-I-Lock® de 2,1 m (7 pies)
22	CMXZVBE38676	Boquilla utilitaria
23	CMXZVBE38725	Cepillo para polvo
24	CMXZVBE38681	Boquilla para auto
25	CMXZVBE38680	Boquilla rinconera
26	CMXZVBE38675	Tubos extensores
27	830670	Armazón de almacenamiento superior
28	830671	Armazón de almacenamiento inferior
29	830675	Difusor
30	820563-12	Tornillos para madera #10-25 mm (1-3/4 pulgadas)
31	SP7085	Manual de instrucciones



NOTAS

GARANTÍA LIMITADA DE CRAFTSMAN® DE 3 AÑOS

Esta garantía limitada es ofrecida por Emerson Tool Company, una división de Emerson Electric Co., ("Nosotros" o "Nuestro" o "Nuestra") al propietario y consumidor original ("Cliente" o "Usted" o "Su") del producto CRAFTSMAN con el cual se proporciona esta garantía limitada (el "Producto CRAFTSMAN").

Lo que está cubierto

Le garantizamos a Usted que su Producto CRAFTSMAN estará libre de defectos de materiales y de fabricación cuando se utilice en condiciones normales y de acuerdo con los términos del Manual de Instrucciones que se le proporcione a Usted con el Producto CRAFTSMAN, sujeto a las exclusiones que se describen a continuación, por un período de tres años a partir de la fecha de compra por Usted (el "Período de Garantía"). Esta garantía limitada se termina si el comprador original transfiere el Producto CRAFTSMAN a otra persona o entidad.

Lo que no está cubierto

Esta garantía limitada no se extiende a lo siguiente y lo excluye expresamente:

- El desgaste por el uso normal y/o los aditamentos o accesorios de repuesto, incluyendo, sin limitación, cables de alimentación, mangueras, filtros y otros aditamentos o accesorios que Nosotros pongamos a la venta para utilizarlos con el Producto CRAFTSMAN.
- Daños al motor del Producto CRAFTSMAN o quemadura de dicho motor que resulten del hecho de no eliminar una obstrucción que ocurra durante el transcurso del uso normal.
- Pérdida del Producto CRAFTSMAN o daños al mismo que ocurran como resultado de situaciones que estén más allá de Nuestro control, incluyendo, sin limitación, uso incorrecto, accidente, abuso, descuido, negligencia (que no sea por parte Nuestra), sobreutilización más allá de la capacidad prevista tal y como se establezca en el Manual de Instrucciones, o modificaciones o alteraciones realizadas por alguien ajeno a Nosotros.
- Pérdida del Producto CRAFTSMAN o daños al mismo que ocurran como resultado del hecho de no utilizar el Producto CRAFTSMAN de acuerdo con las instrucciones escritas, las directrices y los términos y condiciones que se establezcan en el Manual de Instrucciones.
- EN LA MEDIDA EN QUE LA LEY LO PERMITA, NO SEREMOS RESPONSABLES EN NINGÚN CASO POR DAÑOS INCIDENTALES, ESPECIALES, INDIRECTOS O EMERGENTES, INCLUSIVE CUALQUIER PÉRDIDA ECONÓMICA, TANTO SI SON EL RESULTADO DE UN RENDIMIENTO DEFICIENTE COMO DE UTILIZACIÓN, USO, USO INCORRECTO O INCAPACIDAD PARA UTILIZAR EL PRODUCTO CRAFTSMAN O NEGLIGENCIA POR PARTE DE ETC.

Cómo obtener servicio

EE.UU. y Canadá: Para obtener los beneficios de la garantía, contáctenos llamando gratis al 1-888-331-4569 (México 001-888-331-4569). Le dirigiremos al centro de servicio más cercano para revisar su aspiradora con el fin de inspeccionarla, repararla o reemplazarla.

México: Para obtener los beneficios de la garantía, contáctenos llamando gratis al 001-888-331-4569. Le dirigiremos al centro de servicio más cercano para revisar su aspiradora con el fin de inspeccionarla, repararla o reemplazarla.

No se aplica ninguna otra garantía expresa

Esta garantía limitada es la garantía única y exclusiva que se le proporciona a Usted. No se aplica ninguna otra garantía expresa, escrita u oral, incluyendo, SIN LIMITACIÓN, LAS GARANTÍAS DE COMERCIABILIDAD O IDONEIDAD PARA UN PROPÓSITO ESPECÍFICO. Ningún empleado, agente, distribuidor u otra persona está autorizado para alterar esta garantía limitada u ofrecer cualquier otra garantía en nombre Nuestro.

Lo que haremos para corregir los problemas

EL REMEDIO ÚNICO Y EXCLUSIVO QUE USTED TIENE BAJO ESTA GARANTÍA LIMITADA ESTARÁ LIMITADO A LA REPARACIÓN, EL REEMPLAZO O EL REEMBOLSO DEL PRODUCTO CRAFTSMAN.

Después de que Usted se haya puesto en contacto con el Departamento de Servicio al Cliente de Productos CRAFTSMAN, Nosotros iniciaremos los procedimientos de la garantía, incluyendo una inspección física, sujeto a las exclusiones y al Período de Garantía que se establecen en el presente documento, para determinar si reparar o reemplazar el Producto CRAFTSMAN o darle a Usted un reembolso. La decisión de reparar o reemplazar su Producto CRAFTSMAN o darle un reembolso es a Nuestra discreción exclusiva. La reparación o los reemplazos que ETC le provea a Usted son sin costo alguno para Usted si están cubiertos bajo esta garantía limitada.

Si no podemos proporcionarle a Usted un Producto CRAFTSMAN reparado o de repuesto que sea adecuado, le daremos un reembolso igual al precio de compra de su Producto CRAFTSMAN o un crédito para utilizarlo hacia la compra de un Producto CRAFTSMAN nuevo. En el caso de cualquier disputa entre el CLIENTE Y NOSOTROS, cualquiera de las dos partes podrá optar por resolver dicha disputa mediante arbitraje vinculante. ESTO SIGNIFICA QUE SI TANTO EL CLIENTE OPTA POR EL ARBITRAJE VINCULANTE COMO SI NOSOTROS OPTAMOS POR DICHO ARBITRAJE, NINGUNA DE LAS DOS PARTES TENDRÁ DERECHO A LITIGAR DICHO RECLAMO ANTE UN TRIBUNAL NI A TENER UN JUICIO CON JURADO. LOS DERECHOS AL PROCESO DE DESCUBRIMIENTO, ASÍ COMO LOS DERECHOS DE APELACIÓN, ESTÁN LIMITADOS.

Esta garantía limitada le confiere a usted derechos legales específicos y es posible que usted tenga también otros derechos, que varían de un estado a otro. Algunos estados no permiten la exclusión de los daños incidentales o emergentes, por lo que es posible que la limitación que antecede no tenga aplicación.

CONDICIONES

1. Para hacer efectiva esta garantía, deberá presentarse esta póliza debidamente sellada por el establecimiento que lo vendió, o la factura, o recibo, o comprobante en el que consten los datos específicos del producto objeto de la compraventa junto con el producto, en el establecimiento en que fue adquirido o en el nombre y domicilio del importador que aparece en este documento.

2. **SEARS OPERADORA MEXICO S.A. DE C.V.** se compromete a cambiar el producto sin ningún cargo para el consumidor y a cubrir los gastos de transportación que se deriven del cumplimiento de la presente garantía, dentro de la red de servicio.

*Para México:

Para obtener partes, componentes, accesorios y cobertura de garantía:
Visite la tienda donde compró su aspiradora CRAFTSMAN
o cualquier otra tienda Sears en México, o contacte a Servicio Técnico de Sears:
Poniente 146 No. 669, Col. Industrial Vallejo,
Azcapotzalco, Ciudad de México, C.P. 02300,
Tel. 55-5130-3940

Importador:

SEARS OPERADORA MEXICO S.A. DE C.V.
Lago Zúrich No. 245, Edificio Presa Falcón Piso 7,
Col. Ampliación Granada, Miguel Hidalgo,
Ciudad de México, C.P. 11529,
Tel. 5227-8000

Sello:

Fecha: _____

El consumidor podrá solicitar que se haga efectiva esta garantía y podrá obtener las partes, componentes, consumibles y accesorios en el nombre y domicilio del importador que aparece en este documento.

CRAFTSMAN®

is a registered trademark of Stanley Black & Decker, Inc., used under license.
es una marca registrada de Stanley Black & Decker, Inc., utilizada bajo licencia.
est une marque déposée de Stanley Black & Decker, Inc., utilisée sous licence.

© 2019 CRAFTSMAN

Product Manufactured by:	EMERSON TOOL COMPANY
Producto fabricado por:	8100 W. Florissant • St. Louis, MO 63136
Produit fabriqué par :	U.S. & Canada Only • É.-U. et Canada seulement • EE.UU. y Canadá solamente