

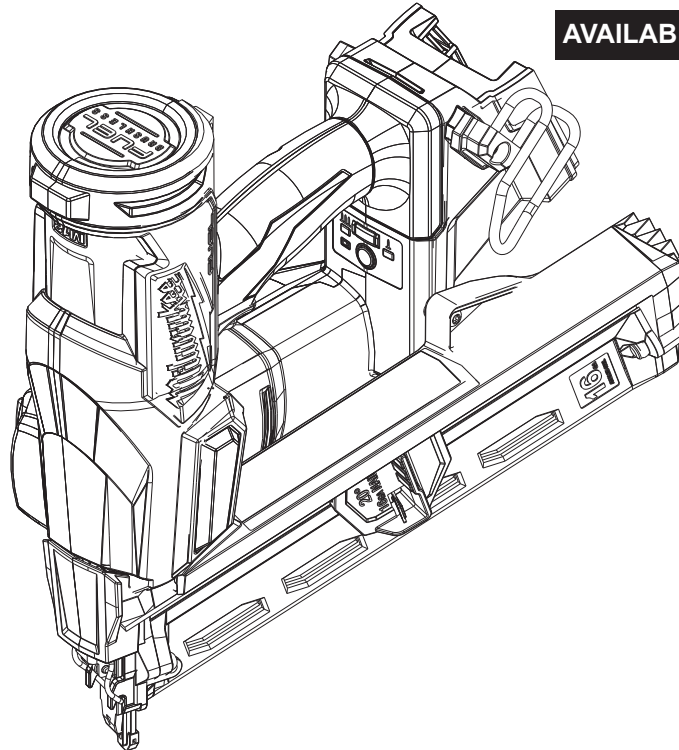


SERVICE PARTS LIST

BULLETIN NO.
54-00-2841

SPECIFY CATALOG NO. AND SERIAL NO. WHEN ORDERING PARTS				REVISED BULLETIN	DATE
M18™ FUEL™ 16 GA. Angled Finishing Nailer					July 2021
CATALOG NUMBER	2841-20	SERIAL NUMBER	M04A	WIRING INSTRUCTION	

AVAILABLE SERVICE PARTS PAGE 2



Due to the combination of the compressed air system and electronics in this tool, service can only be performed at Milwaukee Authorized Repair Centers:

MILWAUKEE TOOL Central Repair

1401 Sycamore Avenue • Greenwood, MS 38930-7277

Please send your tool directly to this location for service.

Or

Via e-Service at: www.milwaukeetool.com/e-service

questions, please call 1.800.SAWDUST (1.800.729.3878)

Or

Visit www.milwaukeetool.com to find your closest Milwaukee authorized Hydraulic repair center

Or

Return it to a MILWAUKEE *factory* Service Center location, freight prepaid and insured. A copy of the proof of purchase should be included with the return product.

If you have questions please contact Milwaukee Product Service at:

Product Technical Support via phone at: 262.783.8642

Or

Via email at: METProductSupport@milwaukeetool.com

Disassembly is not recommended and could void the warranty.

00 **0** **EXAMPLE:**
 Component Parts (Small #) Are Included
 When Ordering The Assembly (Large #).

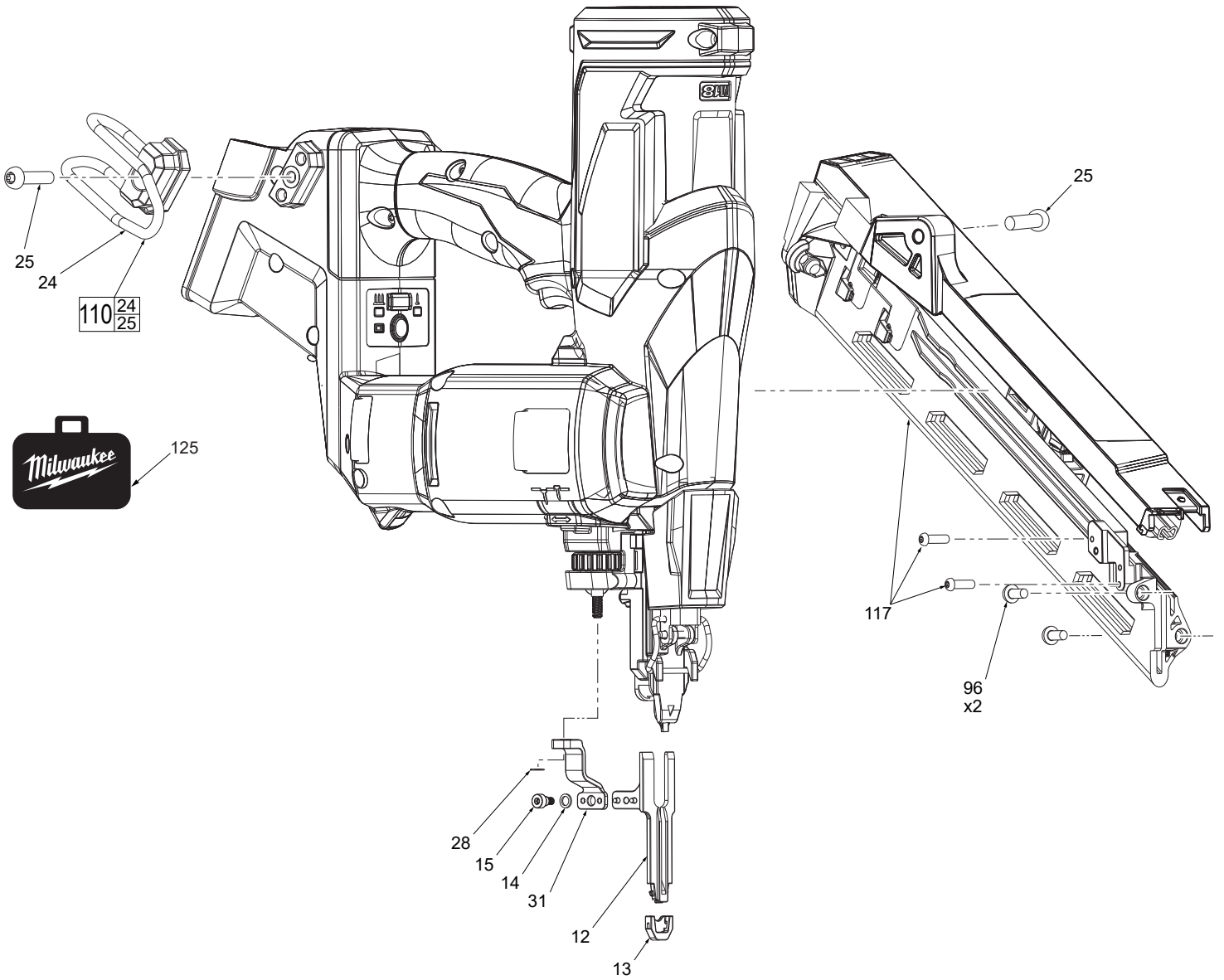


FIG.	PART NO.	DESCRIPTION OF PART	NO. REQ.
	12	42-36-0069 WCB	1
	13	14-46-0341 WCB Tip	2
	14	45-88-0251 Washer	1
	15	05-89-0100 Shoulder Screw	1
	24	----- Belt Hook	1
	25	----- M5 x 0.8mm PH T-25 Screw	2
	28	42-24-0026 C Clip	1
	31	14-30-0063 WCB Linkage	1
	96	05-81-1030 M4 Hex Screw	2
	110	42-70-0076 Belt Hook Kit	1
	117	43-40-0047 Magazine Assembly	1
	125	50-55-3560 Contractor Bag	1
	126	12-20-0571 Service Nameplate (Not shown)	1