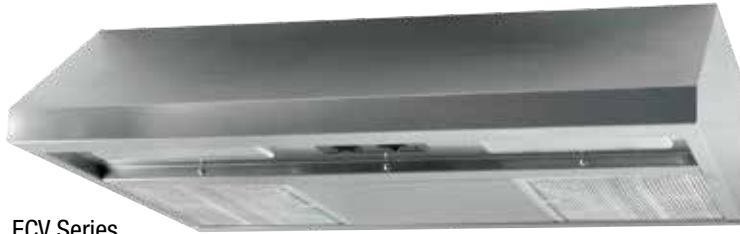




# RANGE HOODS



# Introduction



ECV Series  
ENERGY STAR® Qualified ASHRAE 62.2  
Under Cabinet Variable Speed Range Hood



## Products For an Ever Evolving Market

Air King is a leader in the ventilation industry, constantly introducing new and innovative products to the market. Air King's commitment to providing environmentally friendly products is evidenced by the expanding line of ENERGY STAR qualified products throughout the range hood and exhaust fan categories. Air King's goal is to bring high quality, environmentally friendly products to the market at a value that makes them the **Smart Choice**.



## IAQ Solutions

Air King's range hoods are engineered to be the perfect answer to your Indoor Air Quality (IAQ) needs with full lines of ENERGY STAR qualified solutions to meet your kitchen ventilation requirements. With the diversity of styles, performances, finishes, and price points Air King has to offer, the perfect solution for your kitchen ventilation is waiting for you.



## The Air King Difference

Customer service is a title that everyone in our company shares. From our corporate staff to our nationwide network of manufacturer's representatives, we are dedicated to making sure your questions are addressed and answered quickly and accurately.

# Table of Contents

Selecting Your Range Hood	Page 4
<b>ENERGY STAR®</b>	Page 5
<b>ENERGY STAR Qualified Advantage Professional Range Hoods, T24</b>	Page 6
Advantage Professional Range Hoods	Page 7
Create a Professional Range Hood	Page 8
Professional Outdoor Range Hoods	Page 9
Professional Range Hoods	Page 10
Professional Series Accessories	Page 11
Professional Inserts	Page 12
Professional Liners	Page 13
<b>ENERGY STAR Qualified Power Packs, T24</b>	Page 14
Power Packs - Seville Series	Page 15
<b>ENERGY STAR Qualified Wall Mounted Range Hoods - Valencia Series, T24</b>	Page 16
Wall Mounted Range Hoods - Valencia Series	Page 17
Wall Mounted Range Hoods - Segovia, Aragon, Granada Series	Page 18
Island Mounted Range Hoods - Ibiza, Pamplona, Mallorca Series	Page 19
Island Mounted Range Hoods - Alicante Series	Page 20
Chimney Range Hood Comparison	Page 21
<b>ENERGY STAR Qualified Under Cabinet Range Hoods - Variable Speed ECV Series, T24</b>	Page 22
<b>ENERGY STAR Qualified Under Cabinet Range Hoods - Variable Speed ECQ Series, T24</b>	Page 23
<b>ENERGY STAR Qualified Under Cabinet Range Hoods - Advantage Deluxe Quiet, T24</b>	Page 24
Under Cabinet Range Hoods - Advantage Deluxe Quiet	Page 25
<b>ENERGY STAR Qualified Under Cabinet Range Hoods -Essence Series, T24</b>	Page 26
Under Cabinet Range Hoods - Essence Series	Page 27
<b>ENERGY STAR Qualified Under Cabinet Range Hoods - Deluxe Quiet Series, T24</b>	Page 28
<b>ENERGY STAR Qualified Under Cabinet Range Hoods - Deluxe Quiet Series American with Disabilities Act (ADA), * T24</b>	Page 29
Under Cabinet Range Hoods - Essence Series	Page 30
<b>ENERGY STAR Qualified Under Cabinet Range Hoods - Quiet Zone Series, T24</b>	Page 31
<b>ENERGY STAR Qualified Under Cabinet Range Hoods - Quiet Zone Series American with Disabilities Act (ADA), * T24</b>	Page 31
Under Cabinet Range Hoods - Quiet Zone Series	Page 32
Under Cabinet Range Hoods - Designer Series	Page 33
Under Cabinet Range Hoods - Advantage Series	Pages 34-35
Accessories	Pages 36-37
Specifications	Pages 38-39

\* ADA - Americans with Disabilities Act, products feature improved accessibility of controls.

T24 - Can be used to comply with California Title 24 requirements.

# Selecting Your Range Hood

Air King offers a wide array of range hood solutions including ENERGY STAR® qualified options. Selecting the perfect Air King range hood for your requirements can be done through the following considerations:

## **Ducted Versus Ductless**

A ducted range hood takes the exhaust air and pushes it outside through either a wall or roof vent. A ductless range hood pushes the air through an internal grease and odor filter, then recirculates the air back into the room. Many hoods are listed as convertible meaning that they can be configured to operate ducted or ductless. To maximize the performance of your range hood it is recommended that it be ducted to the outside to ensure proper ventilation. Ducted range hoods are required for ENERGY STAR qualification as well as ASHRAE 62.2 requirements and provide the best solution. In situations where these requirements are not mandatory and ducting is not possible, a ductless range hood can be used.

## **Determine How the Range Hood Will Mount**

There are 4 basic mounting styles - Wall, Island, Under Cabinet and Insert. A wall mounted range hood will as the name implies mount directly to the wall. These range hoods typically have a chimney or a soffit for the ducting and replace the cabinet over the range. An island mounted range hood will mount to the ceiling and will have a chimney for the ducting. An under cabinet mounted range hood will mount underneath the cabinet above your cooking surface. An insert is a power unit that inserts into a custom made canopy.

## **Determine Your CFM**

CFM (Cubic Feet Per Minute) is the amount of air the range hood is exhausting. HVI (Home Ventilation Institute) recommends 1 CFM per 100 BTU's. So for instance a 10,000 BTU range would require a 100 CFM range hood.

## **Choose The Sound Level (Sones)**

The next consideration is the sound level which is measured in Sones. The lower the sone, the quieter the range hood. A range hood with an operating speed around one sone is considered extremely quiet. When targeting a sound level, keep in mind that range hoods have multiple speeds. While the top speed will be higher in sound, for most cooking applications, the low speed or if present medium speed will be sufficient for your ventilation needs.



## **Choose Your Features**

Features include night lights, heat bulbs, timers, and number of speeds or adjustable speeds to match the ventilation demands of the kitchen. Other items include styles such as chimney range hoods, professional style range hoods, traditional under cabinet hoods and so forth. Determine your style and if you will need any of these features for your application.

## **Special Consideration**

Before selecting any range hood, you should consult all national and local codes such as ASHRAE 62.2 and California Title 24, to determine if any specialized requirements exist.



What is an easy and cost effective way to increase a home's Indoor Air Quality (IAQ) while creating as little impact on the environment as possible? The solution is simple - install Air King's ENERGY STAR® qualified products throughout the home. It is widely recognized that a properly ventilated house creates a better living environment\* but traditional fans and range hoods have either been too loud, too expensive, or just not energy efficient. Air King addresses all those concerns with an extensive offering of ENERGY STAR qualified products. The Air King product line gives you choices to meet your ventilation needs AND your budget while providing some of the most energy efficient ventilation products on the market today.

## **Save Money**

Air King's ENERGY STAR qualified products run quieter, last longer, and are less expensive to operate than a conventional model.\*\* Installing an Air King ENERGY STAR qualified exhaust fan is a great step in making your home energy efficient while improving the indoor air quality.

## **Help The Environment**

Did you know that your home can be a greater source of pollution than your car? In fact, 16 percent of U.S. greenhouse gas emissions are generated from the energy used in houses nationwide. Energy used in our homes often comes from the burning of fossil fuels at power plants, which contributes to smog, acid rain, and global warming. Simply put, the less energy we use in our homes, the less air pollution we generate.\*\*



## **What Is ENERGY STAR?**

We have all seen the logo but what exactly is ENERGY STAR? The U.S. Environmental Protection Agency (EPA) and the U.S. Department of Energy designed the program to protect the environment by increasing the usage of energy efficient products and practices. The ENERGY STAR program provides manufacturers with stringent regulations that products must meet in order to be qualified as ENERGY STAR, ensuring that the product will be energy efficient, effective, and last.\*\*

\* Source: [www.hvi.org](http://www.hvi.org)

\*\* Source: [www.energystar.gov](http://www.energystar.gov)

# Advantage Professional Series



## FEATURES



- **Quiet, energy efficient operation**
- High quality grade 430 stainless steel construction
- Aluminum grease filters capture grease and debris from the cooking surface and are easily removed for cleaning. Professional grade, Stainless Steel, dishwasher safe baffles are available (AP1830BK for APF1830 models or AP1836BK for APF1836 models) and easily replace the aluminum filters included with the hood.
- **Included** dual 18 watt high efficacy GU24 base fluorescent lamp provide about the equivalent of 150 watts of incandescent lighting, allowing the hood to be used to comply with California Title 24 requirements. Also features two 4 watt night lights (night light bulbs not included).
- **Included** round vertical outlet adapter, sized specific for the included motor (300 CFM: 6" round, 500 CFM: 8" round)
- **Suggested Accessories:** Back Splash, Soffit, Roof or Wall Cap (see pages 11, 28 for details)



Baffle filter kits available for 18" high models.



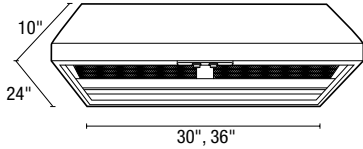
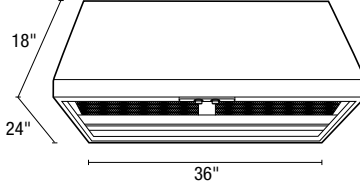


## ADVANTAGE PROFESSIONAL SERIES

	MODEL	HEIGHT/ WIDTH	AIRFLOW (CFM)	SOUND (SONES)	DUCT SIZE	FINISH	LIGHTING	ENERGY STAR® QUALIFIED
	APF1030-600	10" / 30"	500/370/180	5.0/2.5/0.8	8" round	Stainless Steel	2 - 18W Fluorescent	YES
	APF1036-600	10" / 36"						
	APF1030-300	10" / 30"	300	1.5	6" round			
	APF1036-300	10" / 36"						
	APF1830-600	18" / 30"	500/370/180	5.0/2.5/0.8	8" round	Stainless Steel	2 - 18W Fluorescent	
	APF1836-600	18" / 36"						
	APF1830-300	18" / 30"	300	1.5	6" round			
	APF1836-300	18" / 36"						

### APF10 SERIES

### APF18 SERIES

### CERTIFICATIONS

Dimensions			 
------------	---	--	--

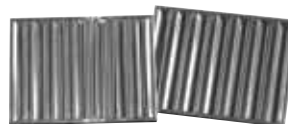
# Advantage Professional Series





## FEATURES

- High quality grade 430 stainless steel construction
- Aluminum grease filters capture grease and debris from the cooking surface and are easily removed for cleaning. Professional grade, Stainless Steel, dishwasher safe baffles are available (AP1830BK for APF1830 models or AP1836BK for APF1836 models) and easily replace the aluminum filters included with the hood.
- **Included** dimmable 45 watt maximum Halogen lamps illuminate the cooking surface.
- **Included** round vertical outlet adapter, sized specific for the included motor (300, 500 CFM: 6" round, 600, 900 CFM: 8" round)
- **Suggested Accessories:** Back Splash, Soffit, Roof or Wall Cap (see pages 11, 28 for details)

Baffle filter kits available for 18" high models.



## ADVANTAGE PROFESSIONAL SERIES

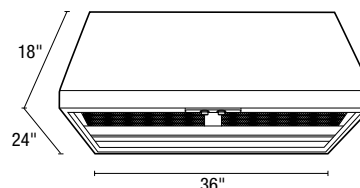
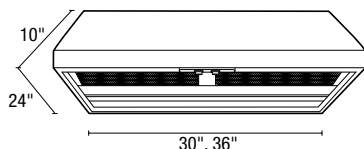
	MODEL	HEIGHT/WIDTH	AIRFLOW (CFM)	SOUND (SONES)	DUCT SIZE	FINISH	LIGHTING
	AP1030-600	10" / 30"	600/500/300	5.5/4.5/1.5	8" round	Stainless Steel	3 - 45W Halogen
	AP1036-600	10" / 36"					
	AP1030-500	10" / 30"	500/300	4.5/1.5	6" round		
	AP1036-500	10" / 36"					
	AP1030-300	10" / 30"	300	1.5	6" round		
	AP1036-300	10" / 36"					
	AP1836-900	18" / 36"	900/600/400	11.0/5.5/2.0	8" round	Stainless Steel	3 - 45W Halogen
	AP1830-600	18" / 30"	600/500/300	5.5/4.5/1.5	8" round		
	AP1836-600	18" / 36"					
	AP1830-500	18" / 30"	500/300	4.5/1.5	6" round		
	AP1836-500	18" / 36"					
	AP1830-300	18" / 30"	300	1.5	6" round		
	AP1836-300	18" / 36"					

### AP10 SERIES

### AP18 SERIES

### CERTIFICATIONS

Dimensions



# Create a Professional Range Hood

## PROFESSIONAL RANGE HOODS



### **STEP 1 - Range Hood**

Choose a Professional Range Hood, Professional Range Hood with Heat Lamp or a Professional Outdoor Range Hood Canopy to fit the size (height and width) of your installation.



### **STEP 2 - Blower**

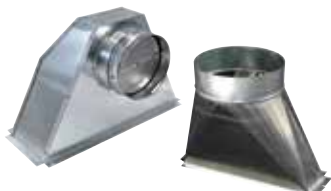
Choose a Professional Blower to meet the ventilation needs of your kitchen. The ventilation needs are typically dependent on the type and size of the cooking surface.

**NOTE:** When choosing a blower be sure to consult and adhere to any local and national codes regarding ventilation amounts and make-up air requirements.



### **STEP 3 - Soffit**

For installations that will not have cabinets directly above the hood, choose a Professional Soffit to match the size (height and width) requirements of your installation.



### **STEP 4 - Duct Connections**

Determine the size and type of ducting your installation requires and choose the appropriate Professional Outlet Adapter. To prevent drafts from entering back into the home choose a Professional Back Draft Damper according to your ducting size and finally make sure to choose a wall or roof cap to properly exhaust the air to the outside (see page 28 for available models).

**NOTE:** For maximum performance, the ducting size must match the requirements of the blower as described in the chart on page 11. All local and national codes must be adhered to concerning ducting and duct connections.



### **STEP 5 - Back Splash**

Add a Professional Back Splash to protect your walls and put an elegant finishing touch to your installation. If a Professional Range Hood with Heat Lamp is installed, add a Professional Back Splash with shelves to maximize the effectiveness of the heat lamps.

Model P1036W with optional SFT3620 soffit





# Professional Outdoor Series



## FEATURES

- **Approved for use in covered outdoor kitchens.**
- Professional grade 304 stainless steel will not discolor over time.
- Professional Grade, Stainless Steel, dishwasher safe baffles capture grease and debris from the cooking surface and are easily removed using the integrated handle for cleaning. Model AP1836m features aluminum filters.
- **Included** dimmable 45 watt maximum Halogen lamps illuminate the cooking surface.
- Includes: Canopy, Grease Baffles/Filters, Controls, and Lamp Sockets  
**Blower must be purchased separately** (see page 11 for options)
- **Suggested Accessories:** Back Splash, Soffit, Roof or Wall Cap (see pages 11, 28 for details)





**Don't forget to choose a blower to power your unit:**

B600 (600 CFM), B900 (900 CFM), B1125 (1200 CFM)



## PROFESSIONAL OUTDOOR SERIES

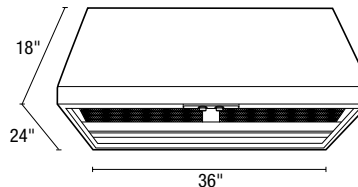
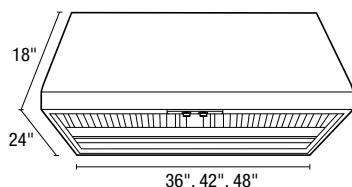
	MODEL	HEIGHT	WIDTH	AVAILABLE BLOWERS	FINISH	LIGHTING
	P1836m	18"	36"	B600, B900, B1200	Stainless Steel	3 - 45W Halogen
	P1842m	18"	42"			
	P1848m	18"	48"			
	AP1836m	18"	36"	B600, B900, B1200	Stainless Steel	3 - 45W Halogen

### P18 SERIES

### AP18 SERIES

### CERTIFICATIONS

Dimensions



# Professional Series







## FEATURES

- Professional grade 304 stainless steel will not discolor over time.
- Professional Grade, Stainless Steel, dishwasher safe baffles capture grease and debris from the cooking surface and are easily removed using the integrated handle for cleaning.
- **Included** dimmable 45 watt maximum Halogen lamps illuminate the cooking surface.
- Includes: Canopy, Grease Baffles/Filters, Controls, and Lamp Sockets  
**Blower must be purchased separately** (see page 11 for options)
- **Suggested Accessories:** Back Splash, Soffit, Roof or Wall Cap (see pages 11, 28 for details)

**Models with Heat Lamp feature** independently controlled dual 250 watt maximum heat lamps (heat lamps not included).



## PROFESSIONAL SERIES

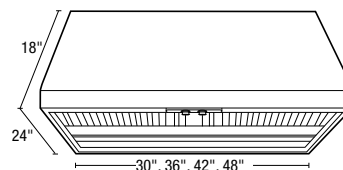
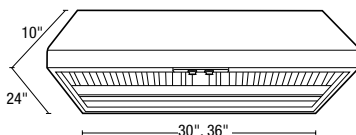
	MODEL	HEIGHT	WIDTH	HEAT LAMP	AVAILABLE BLOWERS	FINISH	LIGHTING
	P1030	10"	30"	-	B300, B500, B600, B900, B1200	Stainless Steel	2 - 45W Halogen
	P1036	10"	36"	-			
	P1036W	10"	36"	2 - 250W			
	P1836	18"	36"	-	B300, B500, B600, B900, B1200	Stainless Steel	2 - 45W Halogen
	P1842	18"	42"	-			3 - 45W Halogen
	P1848	18"	48"	-			3 - 45W Halogen
	P1836W	18"	36"	2 - 250W	B300, B500, B600, B900, B1200	Stainless Steel	2 - 45W Halogen
	P1842W	18"	42"	2 - 250W			3 - 45W Halogen
	P1848W	18"	48"	2 - 250W			3 - 45W Halogen

### P10 SERIES

### P18 SERIES

### CERTIFICATIONS

Dimensions



# Professional Series Accessories

## PROFESSIONAL RANGE HOOD BLOWERS

Bring life to your Professional Range Hood System with the power and precision of the Professional Blower Series.

Each Professional Blower is designed and engineered to the highest standards ensuring long life and dependability while providing powerful ventilation. Air King allows the freedom to choose a blower specific to your ventilation needs with multiple options that universally fit with all Air King Professional Series products.

- **For use with:** Professional Range Hood Canopies  
Professional Outdoor Range Hood Canopies  
Professional Inserts
- Snap-In wiring harness connector makes electrical connection and installation into canopy quick and simple.
- Permanently lubricated ball bearing motor with an electronically balanced blower wheel provides long lasting and dependable ventilation for years.
- Hood Canopy is purchased separately (see pages 9 and 10 for models).

\* Blowers are designed for use with Air King Professional Series hoods and inserts only.



MODEL	HVI CFM/SONES @ 0.1 WG			MINIMUM DUCT SIZE
	HIGH	MEDIUM	LOW	
B300	300/1.5	N/A <sup>2</sup>	N/A <sup>2</sup>	6" round
B500	500/4.5	N/A <sup>3</sup>	300/1.5 <sup>3</sup>	6" round
B600	600/5.5	500/4.5	300/1.5	8" round
B900	900/11.0	600/5.5	400/2.0	8" round
B1125	1200/15.0	900/11.0	400/2.0	10" round



<sup>2</sup> All speed selections operate at same speed  
<sup>3</sup> Speed selections II and III operate at same speed  
CFM = cubic feet per minute • Sones = sound level measurement  
HVI Certified at 0.1 Static Pressure

## PROFESSIONAL RANGE HOOD SOFFITS

Enhance the elegance of your hood with the finishing touch of a Professional Range Hood Soffit.

Professional Range Hood Soffits are available in 12" or 20" heights, in multiple widths to fit perfectly with your Professional Range Hood or Professional Range Hood with Heat Lamp. The Soffits are able to be combined to accommodate higher ceilings and are crafted from the same Stainless Steel as the hoods to ensure an exact match of the finishes.



MODEL	WIDTH	HEIGHT	DEPTH
SFT3012	30"	12"	12"
SFT3612	36"	12"	12"
SFT4212	42"	12"	12"
SFT4812	48"	12"	12"

MODEL	WIDTH	HEIGHT	DEPTH
SFT3020	30"	20"	12"
SFT3620	36"	20"	12"
SFT4220	42"	20"	12"
SFT4820	48"	20"	12"

## PROFESSIONAL RANGE HOOD BACK SPLASHES

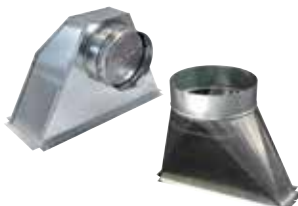
Add the finishing touch to complete the elegance of your hood with a Stainless Steel Professional Back Splash Series. To complement the Professional Range Hood with Heat Lamp Series add a Back Splash that includes built-in shelves to maximize the effectiveness of the heat lamps.

MODEL	WIDTH	HEIGHT	SHELVES
BS30	30"	33½"	NO
BS36	36"	33½"	NO
BS42	42"	33½"	NO
BS48	48"	33½"	NO
BS36W	36"	33½"	YES
BS42W	42"	33½"	YES
BS48W	48"	33½"	YES



## PROFESSIONAL RANGE HOOD OUTLET ADAPTERS

Properly connect your ducting to your Professional Series range hood using the correct outlet adapter.



MODEL	DUCT SIZE	MOTOR SIZE	DIRECTION
OA6VD	6" round	300/500	Vertical
OA8VD	8" round	600/900*	Vertical
OA10VD	10" round	1200	Vertical
OA6HD	6" round	300/500	Horizontal
OA8HD	8" round	600/900*	Horizontal
OA10HD	10" round	1200	Horizontal

\* ENERGY STAR 500 CFM models utilize 8" round adapters

# Professional Inserts




## FEATURES

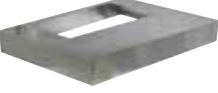
- Approved for indoor use as well as for covered outdoor kitchens.
- Professional Grade, Stainless Steel, dishwasher safe baffles capture grease and debris from the cooking surface and are easily removed using the integrated handle for cleaning.
- **Included** dimmable 45 watt maximum Halogen lamps illuminate the cooking surface.
- Quad inlet twin blower provides powerful ventilation with quiet operating speeds.
- Stainless steel fascia (stainless steel insert liners available separately).
- **Suggested Accessories:** HL Series Liner, Back Splash, Roof or Wall Cap (see pages 11, 28 for details)



## PROFESSIONAL INSERTS

	MODEL	FITS CABINETS	CUTOUT OPENING	AIRFLOW (CFM)	SOUND (SONES)	DUCT SIZE	FACIA FINISH	LIGHTING
	PIN28m-300	30" or larger	26 $\frac{3}{4}$ "W x 15 $\frac{1}{4}$ "D	300/200/140	4.5/2.0/0.7	6" round	Stainless Steel	2 - 45W Halogen
	PIN300m	36" or larger	30"W x 17"D					
	PIN28m-400	30" or larger	26 $\frac{3}{4}$ "W x 15 $\frac{1}{4}$ "D					
	PIN400m	36" or larger	30"W x 17"D	400/300/200	8.0/6.0/2.0	8" round	Stainless Steel	2 - 45W Halogen
	PIN28m-600	30" or larger	26 $\frac{3}{4}$ "W x 15 $\frac{1}{4}$ "D					
	PIN600m	36" or larger	30"W x 17"D					
	PIN28m-900	30" or larger	26 $\frac{3}{4}$ "W x 15 $\frac{1}{4}$ "D	900/600/400	11.0/5.5/2.0	10" round	Stainless Steel	2 - 45W Halogen
	PIN900m	36" or larger	30"W x 17"D					
PIN28m-1200	30" or larger	26 $\frac{3}{4}$ "W x 15 $\frac{1}{4}$ "D	1200/900/400	15.0/11.0/2.0		Stainless Steel	2 - 45W Halogen	
PIN1200m	36" or larger	30"W x 17"D						

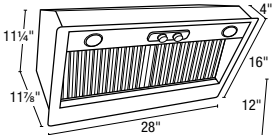
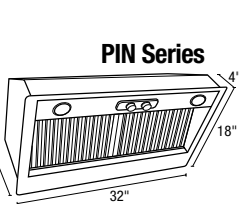
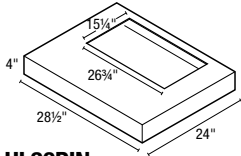
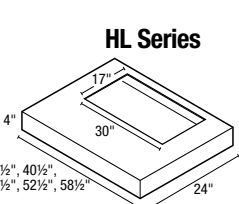

## OPTIONAL HOOD INSERT LINERS

	MODEL	FITS CABINETS	WIDTH	DEPTH	HEIGHT	FINISH
	HL30PIN	30" wide	28 $\frac{1}{2}$ "	24"	4"	Stainless Steel
	HL36PIN	36" wide	34 $\frac{1}{2}$ "			
	HL42PIN	42" wide	40 $\frac{1}{2}$ "			
	HL48PIN	48" wide	46 $\frac{1}{2}$ "			
	HL54PIN	54" wide	52 $\frac{1}{2}$ "			
	HL60PIN	60" wide	58 $\frac{1}{2}$ "			

### PIN SERIES

### LINERS

### CERTIFICATIONS

Dimensions	 <p><b>PIN28 Series</b></p>	 <p><b>PIN Series</b></p>	 <p><b>HL30PIN</b></p>	 <p><b>HL Series</b></p>	
------------	--	--	--	---	---

# Professional Liners



## FEATURES

- Professional Grade, Stainless Steel, dishwasher safe baffles capture grease and debris from the cooking surface and are easily removed using the integrated handle for cleaning.
- **Included** dimmable 45 watt maximum Halogen lamps illuminate the cooking surface.
- Quad inlet twin blower provides powerful ventilation with quiet operating speeds.
- **Included**, round outlet adapter, sized specific for the included motor (300, 400 CFM: 6" round, 600 CFM: 8" round, 1200 CFM: 10" round).
- Stainless steel fascia with integrated liner
- **Suggested Accessories:** Back Splash, Roof or Wall Cap (see pages 11, 28 for details)



## PROFESSIONAL LINERS

MODEL	FITS CABINETS	CUTOUT OPENING	AIRFLOW (CFM)	SOUND (SONES)	OUTDOOR USE*	DUCT SIZE	FACIA FINISH	LIGHTING
LIN28m-300	30"W x 20¾"D	28¾"W x 19¼"D	300/200/140	4.5/2.0/0.7	No	6" round	Stainless Steel	2 - 45W Halogen
LIN28md-300	30"W x 24"D	28¾"W x 22½"D						
LIN28m-400	30"W x 20¾"D	28¾"W x 19¼"D	400/300/200	8.0/6.0/2.0	No	6" round	Stainless Steel	2 - 45W Halogen
LIN28md-400	30"W x 24"D	28¾"W x 22½"D						
LIN28m-600	30"W x 20¾"D	28¾"W x 19¼"D	600/500/300	5.5/4.5/1.5	Yes	8" round	Stainless Steel	2 - 45W Halogen
LIN28md-600	30"W x 24"D	28¾"W x 22½"D						
LIN34m-300	30"W x 20¾"D	34¾"W x 19¼"D	300/200/140	4.5/2.0/0.7	No	6" round	Stainless Steel	2 - 45W Halogen
LIN34md-300	30"W x 24"D	34¾"W x 22½"D						
LIN34m-400	30"W x 20¾"D	34¾"W x 19¼"D	400/300/200	8.0/6.0/2.0	No	6" round	Stainless Steel	2 - 45W Halogen
LIN34md-400	30"W x 24"D	34¾"W x 22½"D						
LIN34m-600	36"W x 20¾"D	34¾"W x 19¼"D	600/500/300	5.5/4.5/1.5	Yes	8" round	Stainless Steel	2 - 45W Halogen
LIN34md-600	36"W x 24"D	34¾"W x 22½"D						
LIN40m-300	42"W x 20¾"D	40¾"W x 19¼"D	300/200/140	4.5/2.0/0.7	No	6" round	Stainless Steel	2 - 45W Halogen
LIN40md-300	42"W x 24"D	40¾"W x 22½"D						
LIN40m-400	42"W x 20¾"D	40¾"W x 19¼"D	400/300/200	8.0/6.0/2.0	No	6" round	Stainless Steel	2 - 45W Halogen
LIN40md-400	42"W x 24"D	40¾"W x 22½"D						
LIN40m-600	42"W x 20¾"D	40¾"W x 19¼"D	600/500/300	5.5/4.5/1.5	Yes	8" round	Stainless Steel	2 - 45W Halogen
LIN40md-600	42"W x 24"D	40¾"W x 22½"D						
LIN46md-1200	48"W x 24"D	46¾"W x 22½"D	1200/900/400	15.0/11.0/2.0	Yes	10" round	Stainless Steel	2 - 45W Halogen
LIN58md-1200	60"W x 24"D	58¾"W x 22½"D	1200/900/400	15.0/11.0/2.0	Yes	10" round	Stainless Steel	2 - 45W Halogen



### LIN SERIES

### CERTIFICATIONS

Dimensions	<p>13" 13" 19 1/4", 22 1/2" 1/2" 28 3/8", 34 3/8", 40 3/8", 46 3/8", 58 3/8"</p>	
------------	--	--


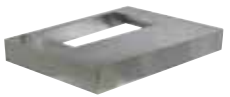
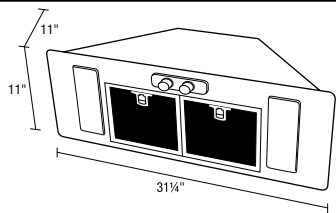
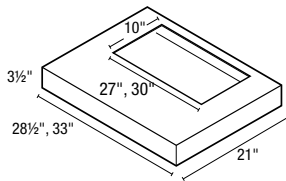

Approved for indoor use as well as for covered outdoor kitchens.

# ENERGY STAR® Qualified Power Packs



## THE ENERGY STAR QUALIFIED SEVILLE FEATURES:

- **Quiet, energy efficient operation**
- Aluminum grease filters capture grease and debris from the cooking surface and are easily removed for cleaning.
- **Included** dual 18 watt high efficacy GU24 base fluorescent lamp provide about the equivalent of 150 watts of incandescent lighting, allowing the insert to be used to comply with California Title 24 requirements.
- Stainless Steel fascia with Stainless Steel Hood Insert Liners (available separately) to give the inside of a custom built canopy a finished look.
- 6" round duct adapter with back draft damper included.
- **Suggested Accessories:** Back Splash, Hood Liner, Roof or Wall Cap

POWER PACKS									
	MODEL	FITS CABINETS	CUTOUT OPENING	AIRFLOW (CFM)	SOUND (SONES)	DUCT SIZE	FACIA FINISH	LIGHTING	ENERGY STAR® QUALIFIED
	ESSEV28	30" or larger	27"W x 10"D	300/200/140	4.5/2.0/0.7	6" round	Stainless Steel	2 - 18W Fluorescent	YES
	ESSEV30	36" or larger	30"W x 10"D	300/200/140	4.5/2.0/0.7	6" round	Stainless Steel	2 - 18W Fluorescent	YES
OPTIONAL HOOD INSERT LINERS									
	MODEL	FITS CABINETS	WIDTH	DEPTH	HEIGHT	FINISH			
	HL28RS	30" wide	28½"	21"	3½"	Stainless Steel			
	HL362RS	36" wide	33"	21"	3½"	Stainless Steel			
ESSEV SERIES				LINERS			CERTIFICATIONS		
Dimensions									




## THE SEVILLE FEATURES:


- Aluminum grease filters capture grease and debris from the cooking surface and are easily removed for cleaning.
- **Included** Hi spot GU10, 50 watt maximum halogen lights with On/Off control and positioned for excellent cook top surface coverage.
- Stainless Steel fascia with Stainless Steel Hood Insert Liners (available separately) to give the inside of a custom built canopy a finished look.
- 6" round duct adapter with back draft damper included.
- **Suggested Accessories:** Back Splash, Hood Liner, Roof or Wall Cap

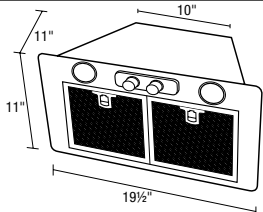
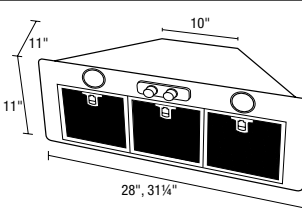
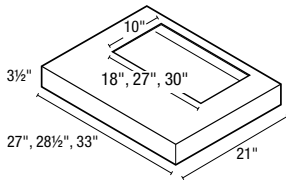



## POWER PACKS

	MODEL	FITS CABINETS	CUTOUT OPENING	AIRFLOW (CFM)	SOUND (SONES)	DUCT SIZE	FACIA FINISH	LIGHTING
	SEV24AB	24" or larger	18"W x 10"D	300	4.5	6" round	Stainless Steel	2 - 50W Halogen
	SEV24S	24" or larger	18"W x 10"D	450	11.5			
	SEV28AB	30" or larger	27"W x 10"D	300	4.5			
	SEV28S	30" or larger	27"W x 10"D	500	11.5			
	SEV30AB	36" or larger	30"W x 10"D	300	4.5			
	SEV30S	36" or larger	30"W x 10"D	500	11.5			

## OPTIONAL HOOD INSERT LINERS

	MODEL	FITS CABINETS	WIDTH	DEPTH	HEIGHT	FINISH
	HL30RS	28" wide	27"	21"	3½"	Stainless Steel
	HL28RS	30" wide	28½"	21"	3½"	Stainless Steel
	HL362RS	36" wide	33"	21"	3½"	Stainless Steel

	SEV24 SERIES	SEV28 SERIES	LINERS	CERTIFICATIONS
Dimensions				

# ENERGY STAR® Qualified Wall Mounted Range Hoods






## THE ENERGY STAR QUALIFIED VALENCIA FEATURES:

- **Quiet, energy efficient operation**
- Aluminum grease filters capture grease and debris from the cooking surface and are easily removed for cleaning.
- **Included**, high efficacy 26 watt fluorescent lamp (about as bright as a 100 watt incandescent bulb) illuminates the cooking surface, allowing the hood to be used to comply with California Title 24 requirements.
- Convertible ducting - Vertical or Ductless<sup>3</sup>.  
The ENERGY STAR Program for Residential Ventilating Fans has no provision for qualification of ductless range hoods (recirculating not ventilating), as a result the ENERGY STAR program applies to ducted range hoods only.
- Chimney extensions available for higher ceilings sold separately (VALWSE - White, VALBSE - Black, VALSSE - Stainless Steel).
- **Suggested Accessories:** Back Splash, WSV30 (30") or WSV36 (36") Spice Shelf, Roof or Wall Cap



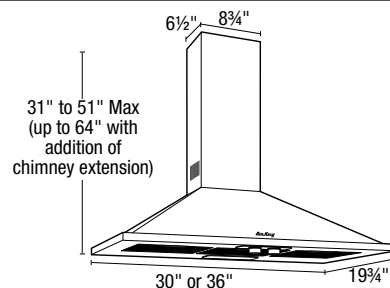
### WALL MOUNTED RANGE HOODS

	MODEL	WIDTH	AIRFLOW (CFM)	SOUND (SONES)	DUCT SIZE	FINISH	LIGHTING	ENERGY STAR® QUALIFIED
	ESVAL30SS	30"	300/245/175	4.5/3.6/1.3	6" round	Stainless Steel	26W Fluorescent	YES
	ESVAL36SS	36"						
	ESVAL30WH	30"	300/245/175	4.5/3.6/1.3	6" round	White		
	ESVAL36WH	36"						
	ESVAL30BL	30"	300/245/175	4.5/3.6/1.3	6" round	Black		
	ESVAL36BL	36"						

#### ESVAL SERIES

#### CERTIFICATIONS

Dimensions





# Wall Mounted Range Hoods



## THE VALENCIA FEATURES:




- Aluminum grease filters capture grease and debris from the cooking surface and are easily removed for cleaning.
- **Includes**, 2-50 watt Halogen lights with On/Off control are positioned for total cook top surface coverage.
- Convertible ducting - Vertical or Ductless<sup>3</sup>.
- Chimney extensions available for higher ceilings sold separately (VALWSE - White, VALBSE - Black, VALSSE - Stainless Steel).
- **Suggested Accessories:** Back Splash, WSV30 (30") or WSV36 (36") Spice Shelf, Roof or Wall Cap

## OPTIONAL SPICE SHELF

Model WSV30 for VAL30  
Model WSV36 for VAL36



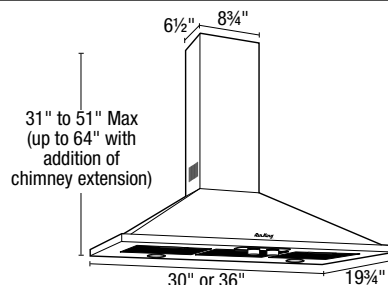
## WALL MOUNTED RANGE HOODS

	MODEL	WIDTH	AIRFLOW (CFM)	SOUND (SONES)	DUCT SIZE	FINISH	LIGHTING
	VAL30SAB	30"	300	4.0	6" round	Stainless Steel	2 - 50W Halogen
	VAL30S	30"	500	11.0			
	VAL36SAB	36"	300	4.0			
	VAL36S	36"	500	11.0			
	VAL30WAB	30"	300	4.0	6" round	White	2 - 50W Halogen
	VAL30W	30"	500	11.0			
	VAL36WAB	36"	300	4.0			
	VAL36W	36"	500	11.0			
	VAL30BAB	30"	300	4.0	6" round	Black	2 - 50W Halogen
	VAL30B	30"	500	11.0			
	VAL36BAB	36"	300	4.0			
	VAL36B	36"	500	11.0			

### VAL SERIES

### CERTIFICATIONS

Dimensions



# Wall Mounted Range Hoods



## FEATURES




- Electronic blower delay timer automatically shuts the unit off after 20 minutes, when selected.
- Aluminum grease filters capture grease and debris from the cooking surface and are easily removed for cleaning.
- **Includes** Two 50 watt halogen lights with On/Off control are positioned for total cook top surface coverage.
- Convertible ducting - Vertical or Ductless<sup>3</sup>.
- Stainless Steel Chimney extensions available for higher ceilings, sold separately (model ARASE for ARA36GL, model GRASE for GRAN30 and GRAN36, model GRANSSE48 for GRAN48).
- **Suggested Accessories:** Back Splash, Roof or Wall Cap, WSV30 (30") or WSV36 (36") Spice Shelf for GRAN series

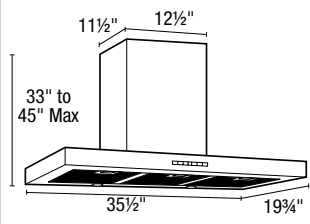
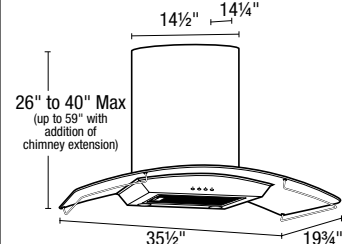
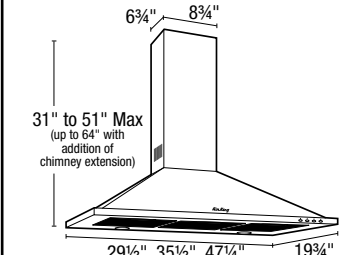

**SEGOVIA SERIES (SEG36SS):** Powerful 4 speed motor that provides up to 600 CFM of ventilation.

**ARAGON™ GLASS SERIES (ARA36GL):** Powerful 3 speed motor that provides up to 570 CFM of ventilation.

**GRANADA SERIES (GRAN30SS, GRAN36SS, GRAN48SS):** Powerful 4 speed motor that provides up to 600 CFM of ventilation.

## WALL MOUNTED RANGE HOODS

	MODEL	WIDTH	AIRFLOW (CFM)	SOUND (SONES)	DUCT SIZE	FINISH	LIGHTING	DELAY TIMER
	SEG36SS	36"	600	14.0	6" round	Stainless Steel	2 - 50W Halogen	20 minutes
	ARA36GL	36"	570	12.5	6" round	Stainless Steel/ Glass	2 - 50W Halogen	20 minutes
	GRAN30SS	30"	600	14.0	6" round	Stainless Steel	2 - 50W Halogen	20 minutes
	GRAN36SS	36"						
	GRAN48SS	48"						

	SEG SERIES	ARA SERIES	GRAN SERIES	CERTIFICATIONS
Dimensions				

# Island Mounted Range Hoods





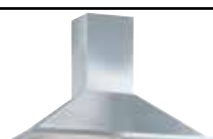
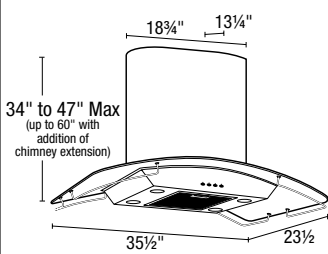
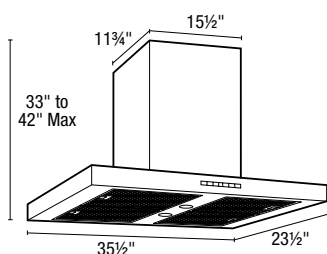
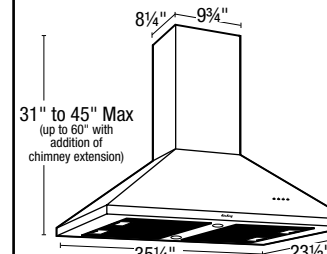

## FEATURES

- Electronic blower delay timer automatically shuts the unit off after 20 minutes, when selected.
- **Includes** 50 watt halogen lights with On/Off control are positioned for total cook top surface coverage.
- Aluminum grease filters capture grease and debris from the cooking surface and are easily removed for cleaning.
- Convertible ducting - Vertical or Ductless<sup>3</sup>.
- Stainless Steel Chimney extensions available for higher ceilings sold separately (IBISEXT for IBIZ36GL, MALSE for MAL36SS).
- **Suggested Accessories:** Back Splash, Roof or Wall Cap

**IBIZA™ SERIES (IBIZ36GL):** Powerful 3 speed motor that provides up to 570 CFM of ventilation.

**PAMPLONA SERIES (PAMP36SS):** Powerful 4 speed motor that provides up to 600 CFM of ventilation.

**MALLORCA™ SERIES (MAL36SS):** Powerful 3 speed motor that provides up to 600 CFM of ventilation.

ISLAND MOUNTED RANGE HOODS								
	MODEL	WIDTH	AIRFLOW (CFM)	SOUND (SONES)	DUCT SIZE	FINISH	LIGHTING	DELAY TIMER
	IBIZ36GL	36"	570	12.5	6" round	Stainless Steel/ Glass	4 - 50W Halogen	20 minutes
	PAMP36SS	36"	600	14.0	6" round	Stainless Steel	2 - 50W Halogen	20 minutes
	MAL36SS	36"	600	14.0	6" round	Stainless Steel	2 - 50W Halogen	20 minutes
	IBIZ SERIES		PAMP SERIES		MAL SERIES		CERTIFICATIONS	
Dimensions	 <p>18¾" 13¼" 34" to 47" Max (up to 60" with addition of chimney extension) 35½" 23½"</p>		 <p>11¼" 15½" 33" to 42" Max 35½" 23½"</p>		 <p>8¼" 9¾" 31" to 45" Max (up to 60" with addition of chimney extension) 35¼" 23½"</p>		 <p>2100 HVI CERTIFIED UL US</p>	




# Island Mounted Range Hoods



## FEATURES

- Includes, 2 fully enclosed 40 watt cook top lights for up to 80 watts of lighting where you need it.
- Aluminum grease filters capture grease and debris from the cooking surface and are easily removed for cleaning.
- Convertible ducting - Vertical or Ductless<sup>3</sup>.
- Chimney extensions available for higher ceilings sold separately (ALIWHEXT - White, ALIBLEXT - Black, ALISSEXT - Stainless Steel).
- **Suggested Accessories:** Back Splash, Roof or Wall Cap

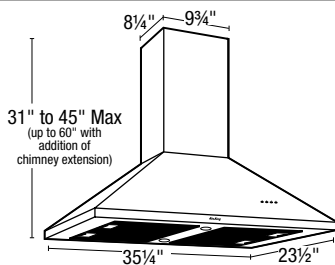
## ALICANTE ISLAND MOUNTED RANGE HOODS

	MODEL	WIDTH	AIRFLOW (CFM)	SOUND (SONES)	DUCT SIZE	FINISH	LIGHTING
	ALI36SS	36"	500	11.0	6" round	Stainless Steel	2 - 40W Incandescent
	ALI36WH	36"	500	11.0	6" round	White	2 - 40W Incandescent
	ALI36BL	36"	500	11.0	6" round	Black	2 - 40W Incandescent







### ALI SERIES





### CERTIFICATIONS

Dimensions



# Range Hood Comparison

WALL MOUNTED CHIMNEY RANGE HOODS									
	MODEL	CFM/SONES	FINISH	LIGHTING	WIDTH	DELAY TIMER	ENERGY STAR QUALIFIED	CHIMNEY EXTENSION	PAGE
	ESVAL30SS	300/4.5	Stainless Steel	26W Fluorescent	30"	NO	YES	VALSSE	16
	ESVAL30WH	300/4.5	White	26W Fluorescent	30"	NO	YES	VALWSE	16
	ESVAL30BL	300/4.5	Black	26W Fluorescent	30"	NO	YES	VALBSE	16
	ESVAL36SS	300/4.5	Stainless Steel	26W Fluorescent	36"	NO	YES	VALSSE	16
	ESVAL36WH	300/4.5	White	26W Fluorescent	36"	NO	YES	VALWSE	16
	ESVAL36BL	300/4.5	Black	26W Fluorescent	36"	NO	YES	VALBSE	16
	VAL30SAB	300/4.5	Stainless Steel	2 - 50W Halogen	30"	NO	NO	VALSSE	17
	VAL30WAB	300/4.5	White	2 - 50W Halogen	30"	NO	NO	VALWSE	17
	VAL30BAB	300/4.5	Black	2 - 50W Halogen	30"	NO	NO	VALBSE	17
	VAL36SAB	300/4.5	Stainless Steel	2 - 50W Halogen	36"	NO	NO	VALSSE	17
	VAL36WAB	300/4.5	White	2 - 50W Halogen	36"	NO	NO	VALWSE	17
	VAL36BAB	300/4.5	Black	2 - 50W Halogen	36"	NO	NO	VALBSE	17
	VAL30S	500/11.0	Stainless Steel	2 - 50W Halogen	30"	NO	NO	VALSSE	17
	VAL30W	500/11.0	White	2 - 50W Halogen	30"	NO	NO	VALWSE	17
	VAL30B	500/11.0	Black	2 - 50W Halogen	30"	NO	NO	VALBSE	17
	VAL36S	500/11.0	Stainless Steel	2 - 50W Halogen	36"	NO	NO	VALSSE	17
	VAL36W	500/11.0	White	2 - 50W Halogen	36"	NO	NO	VALWSE	17
	VAL36B	500/11.0	Black	2 - 50W Halogen	36"	NO	NO	VALBSE	17
	SEG36SS	600/14.0	Stainless Steel	2 - 50W Halogen	36"	YES	NO	-	18
	ARA36GL	570/12.5	Stainless Steel/ Glass	2 - 50W Halogen	36"	YES	NO	ARASE	18
	GRAN30SS	600/14.0	Stainless Steel	2 - 50W Halogen	30"	YES	NO	GRASE	19
	GRAN36SS	600/14.0	Stainless Steel	2 - 50W Halogen	36"	YES	NO	GRASE	19
	GRAN48SS	600/14.0	Stainless Steel	2 - 50W Halogen	48"	YES	NO	GRANSSE48	19

ISLAND MOUNTED CHIMNEY RANGE HOODS									
	MODEL	CFM/SONES	FINISH	LIGHTING	WIDTH	DELAY TIMER	ENERGY STAR QUALIFIED	CHIMNEY EXTENSION	PAGE
	PAMP36SS	600/14.0	Stainless Steel	2 - 50W Halogen	36"	YES	NO	-	20
	IBIZ36GL	570/12.5	Stainless Steel / Glass	4 - 50W Halogen	36"	YES	NO	IBIZEXT	20
	MAL36SS	600/14.0	Stainless Steel	2 - 50W Halogen	36"	YES	NO	MALSE	20
	ALI36SS	500/11.0	Stainless Steel	2 - 40W Incandescent	36"	NO	NO	ALISSEXT	21
	ALI36WH	500/11.0	White	2 - 40W Incandescent	36"	NO	NO	ALIWHEXT	21
	ALI36BL	500/11.0	Black	2 - 40W Incandescent	36"	NO	NO	ALIBLEXT	21

# ENERGY STAR® Qualified Continuous Ventilation Range Hoods



## ASHRAE 62.2 Kitchen Ventilation Solutions

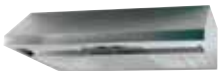
- **Two with One:** Solve for kitchen ventilation AND ASHRAE 62.2 continuous ventilation with one range hood instead of multiple fans.
- **Limit the Particulates:** The kitchen is typically the largest contributor to particulates, especially fine particulates. Using the range hood to solve for continuous ventilation places the ventilation at the most effective location to ventilate these particulates.
- **Location:** The kitchen is generally located in a central part of the home, so it only makes sense to locate the continuous ventilation there.

## FEATURES

- **Quiet, energy efficient operation**
- Solutions for ASHRAE 62.2 continuous whole house ventilation without needing to install additional exhaust fans.
- **Adjustable Capacity Motor:** 4 capacity settings on low speed allow the fan to be set to the required exhaust rate for continuous ventilation. Low speed set points include: 30, 50, 70, or 90 CFM with a sound level of <0.3 Sones. High speed clears the air of moisture, odors or other contaminants directly above one of the main sources of indoor air contaminates.
- **Included** dual 18 watt high efficacy GU24 base fluorescent lamp provide about the equivalent of 150 watts of incandescent lighting, allowing the hood to be used to comply with California Title 24 requirements.
- Constructed of high quality grade 430 stainless steel.
- Can be ducted either horizontally or vertically with the included 3/4" x 10" duct collar (ducting available separately).
- **Suggested Accessories:** Back Splash, Roof or Wall Cap



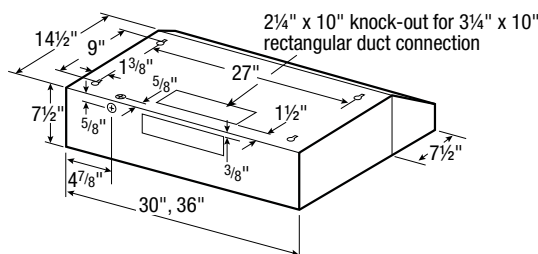
### ECV SERIES RANGE HOODS

	MODEL	WIDTH	AIRFLOW (CFM)	SOUND (SONES)	FINISH	LIGHTING	DUCTING	ENERGY STAR QUALIFIED
	ECV308	30"	Horizontal 250 / 150	Horizontal 3.5 / 0.6	Stainless Steel	26W Fluorescent	3/4" x 10"	YES
	ECV368	36"	Vertical 250 / 150	Vertical 4.0 / 0.6				

#### ECV SERIES

#### CERTIFICATIONS

Dimensions



# ENERGY STAR® Qualified Continuous Ventilation Range Hoods




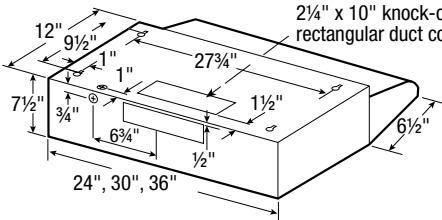




## ASHRAE 62.2 Kitchen Ventilation Solutions

- **Two with One:** Solve for kitchen ventilation AND ASHRAE 62.2 continuous ventilation with one range hood instead of multiple fans.
- **Limit the Particulates:** The kitchen is typically the largest contributor to particulates, especially fine particulates. Using the range hood to solve for continuous ventilation places the ventilation at the most effective location to ventilate these particulates.
- **Location:** The kitchen is generally located in a central part of the home, so it only makes sense to locate the continuous ventilation there.

## FEATURES

- **Quiet, energy efficient operation**
- Solutions for ASHRAE 62.2 continuous whole house ventilation without needing to install additional exhaust fans.
- **Adjustable Capacity Motor:** 4 capacity settings on low speed allow the fan to be set to the required exhaust rate for continuous ventilation. Low speed set points include: 30, 50, 70, or 90 CFM with a sound level of <0.3 Sones. High speed clears the air of moisture, odors or other contaminants directly above one of the main sources of indoor air contaminants.
- **Included** dual 18 watt high efficacy GU24 base fluorescent lamp provide about the equivalent of 150 watts of incandescent lighting, allowing the hood to be used to comply with California Title 24 requirements.
- Available in stainless steel, white or black
- Can be ducted either horizontally or vertically with the included 3¼" x 10" duct collar (ducting available separately).
- **Suggested Accessories:** Back Splash, Roof or Wall Cap

EQC SERIES RANGE HOODS								ENERGY STAR QUALIFIED		
	MODEL	WIDTH	AIRFLOW (CFM)	SOUND (SONES)	FINISH	LIGHTING	DUCTING			
	ECQ248	24"	Horizontal 250 / 150	Horizontal 3.5 / 0.6	Stainless Steel	26W Fluorescent	3¼" x 10"	YES		
	ECQ308	30"								
	ECQ368	36"								
	ECQ243	24"			Vertical 250 / 150	Vertical 4.0 / 0.6	White	26W Fluorescent	3¼" x 10"	YES
	ECQ303	30"								
	ECQ363	36"								
	ECQ246	24"					Black	26W Fluorescent	3¼" x 10"	YES
	ECQ306	30"								
	ECQ366	36"								
<b>EQC SERIES</b>								<b>CERTIFICATIONS</b>		
Dimensions								 		

# ENERGY STAR® Qualified Under Cabinet Range Hoods



## DELUXE QUIET ADVANTAGE SERIES

### FEATURES

- **Quiet, energy efficient operation**
- Contemporary shape fits all decors while the solid underside allows for easy cleaning.
- Included, easily removable aluminum grease filters capture grease and debris.
- **Included** dual 18 watt high efficacy GU24 base fluorescent lamp provide about the equivalent of 150 watts of incandescent lighting, allowing the hood to be used to comply with California Title 24 requirements.
- Constructed of high quality grade 430 stainless steel.
- Can be ducted either horizontally or vertically with the included 3¼" x 10" duct collar and back draft damper (ducting available separately).
- **Suggested Accessories:** Back Splash, Roof or Wall Cap

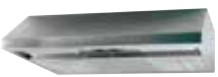



### AMERICANS WITH DISABILITIES ACT (ADA) Compliant models

- Included dual rocker, white control switch mounts to the wall at an accessible height. Fits a triple gang box.



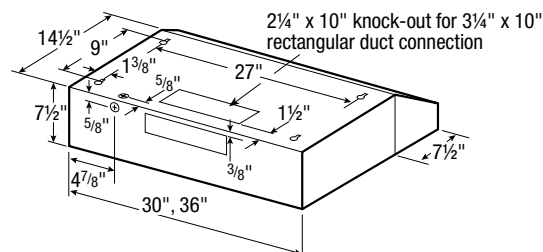
### DELUXE QUIET ADVANTAGE SERIES

	MODEL	WIDTH	AIRFLOW (CFM)	SOUND (SONES)	FINISH	LIGHTING	DUCTING	ADA COMPLIANT	ENERGY STAR QUALIFIED
	ESAPDQ30	30"	High 270	High 4.0	Stainless Steel	2 - 18W Fluorescent	3¼" x 10"	NO	YES
	ESAPDQ36	36"							
	ESAP30ADA	30"	Low 150	Low 1.5				YES	
	ESAP36ADA	36"							

### ESAPDQ, ESAPADA SERIES

### CERTIFICATIONS

Dimensions





# Under Cabinet Range Hoods



## DELUXE QUIET ADVANTAGE SERIES

### FEATURES

- Contemporary shape fits all decors while the solid underside allows for easy cleaning.
- Included, easily removable aluminum grease filters capture grease and debris.
- Two halogen lights with On/Off control and positioned for total cook top surface coverage (bulbs not included).
- Constructed of high quality grade 430 stainless steel.
- Can be ducted either horizontally or vertically with the included 3¼" x 10" duct collar and back draft damper (ducting available separately).
- **Suggested Accessories:** Back Splash, Roof or Wall Cap



DELUXE QUIET ADVANTAGE SERIES							
	MODEL	WIDTH	AIRFLOW (CFM)	SOUND (SONES)	FINISH	LIGHTING	DUCTING
	APDQ30	30"	High 270	High 5.5	Stainless Steel	2 - 50W Halogen	3¼" x 10"
	APDQ36	36"	Low 150	Low 1.5			
<b>APDQ SERIES</b>							<b>CERTIFICATIONS</b>
Dimensions							 




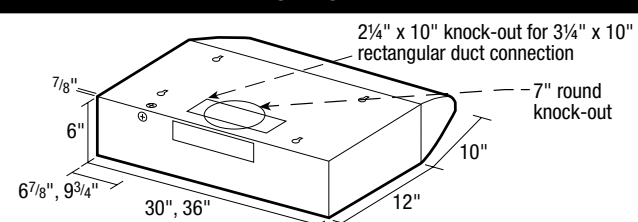


# ENERGY STAR® Qualified Under Cabinet Range Hoods



## FEATURES

- **Quiet, energy efficient operation**
- Included, easily removable aluminum grease filters capture grease and debris.
- **Included** dual 18 watt high efficacy GU24 base fluorescent lamp provide about the equivalent of 150 watts of incandescent lighting, allowing the hood to be used to comply with California Title 24 requirements. 4 watt night light (night light bulb not included).
- Ducting options: Horizontally or vertically with the included duct collar and back draft damper for 3/4" x 10" 7" round with the included duct collar and back draft damper.  
Ductless with the addition of charcoal odor filters (30" models CF-09, 36" models CF-10, available separately).  
The ENERGY STAR Program for Residential Ventilating Fans has no provision for qualification of ductless range hoods (recirculating not ventilating), as a result the ENERGY STAR program applies to ducted range hoods only.
- **Suggested Accessories:** Back Splash, Roof or Wall Cap



ESSENCE SERIES RANGE HOODS								
	MODEL	WIDTH	AIRFLOW (CFM)	SOUND (SONES)	FINISH	LIGHTING	DUCTING	ENERGY STAR QUALIFIED
	EB30SS	30"	Horizontal 250 / 100	Horizontal 5.0 / 0.9	Stainless Steel	2 - 18W Fluorescent	3/4" x 10" 7" Round	YES
	EB36SS	36"						
	EB30WH	30"	Vertical 220 / 120	Vertical 5.5 / 1.4	White	2 - 18W Fluorescent	3/4" x 10" 7" Round	YES
	EB36WH	36"						
	EB30BL	30"	Vertical Round 230 / 130	Vertical Round 5.5 / 1.3	Black	2 - 18W Fluorescent	3/4" x 10" 7" Round	YES
	EB36BL	36"						
<b>EB SERIES</b>								<b>CERTIFICATIONS</b>
Dimensions							 	




# Under Cabinet Range Hoods



## FEATURES

- Included, easily removable aluminum grease filters capture grease and debris.
- **Includes** dual halogen lights with 2 brightness settings and positioned for total cook top surface coverage.
- Ducting options: Horizontally or vertically with the included duct collar and back draft damper for 3¼" x 10" 7" round with the included duct collar and back draft damper.  
Ductless with the addition of charcoal odor filters (30" models CF-09, 36" models CF-10, available separately).
- **Suggested Accessories:** Back Splash, Roof or Wall Cap

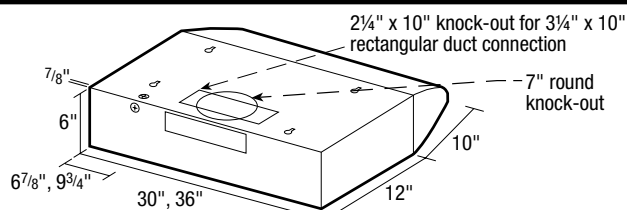
## ESSENCE SERIES RANGE HOODS

	MODEL	WIDTH	AIRFLOW (CFM)	SOUND (SONES)	FINISH	LIGHTING	DUCTING
	AB30SS	30"	Horizontal 250	Horizontal 5.0	Stainless Steel	2 - 50W Halogen	¾" x 10" 7" Round
	AB36SS	36"					
	AB30WH	30"	Vertical 220	Vertical 5.5	White	2 - 50W Halogen	¾" x 10" 7" Round
	AB36WH	36"					
	AB30BL	30"	Vertical Round 230	Vertical Round 5.5	Black	2 - 50W Halogen	¾" x 10" 7" Round
	AB36BL	36"					

### AB SERIES

### CERTIFICATIONS

Dimensions



# ENERGY STAR® Qualified Under Cabinet Range Hoods



## DELUXE QUIET




### FEATURES

- **Quiet, energy efficient operation**
- Included, easily removable aluminum grease filters capture grease and debris.
- **Included** 26 watt high efficacy fluorescent lamp (about as bright as a 100 watt incandescent bulb) illuminates the cooking surface, allowing the hood to be used to comply with California Title 24 requirements. Also features a 4 watt night light (bulb not included).
- Can be ducted either horizontally or vertically with the included duct collar and back draft damper (ducting available separately). Convertible to ductless operation with the addition of model CF-01 (30" and 36" models) or model CF-07 (24" models) charcoal odor filters (available separately).

The ENERGY STAR Program for Residential Ventilating Fans has no provision for qualification of ductless range hoods (recirculating not ventilating), as a result the ENERGY STAR program applies to ducted range hoods only.

- **Suggested Accessories:** Back Splash, Roof or Wall Cap

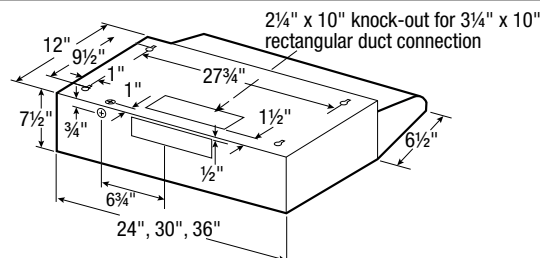
### DELUXE QUIET RANGE HOODS

	MODEL	WIDTH	AIRFLOW (CFM)	SOUND (SONES)	FINISH	LIGHTING	DUCTING	ENERGY STAR QUALIFIED
	ESDQ1248	24"	Horizontal 270 / 150	Horizontal 3.5 / 1.1	Stainless Steel	26W Fluorescent	3¼" x 10"	YES
	ESDQ1308	30"						
	ESDQ1368	36"						
	ESDQ1243	24"	Vertical 270 / 150	Vertical 4.0 / 1.5	White	26W Fluorescent	3¼" x 10"	YES
	ESDQ1303	30"						
	ESDQ1363	36"						
	ESDQ1246	24"			Black	26W Fluorescent	3¼" x 10"	YES
	ESDQ1306	30"						
	ESDQ1366	36"						

#### ESDQ SERIES

#### CERTIFICATIONS

Dimensions



# ENERGY STAR® Qualified ADA Under Cabinet Range Hoods

## INCLUDES WALL SWITCH

Includes dual rocker, white control switch mounts to the wall at an accessible height. Fits a triple gang box.






## DELUXE QUIET ADA

### FEATURES

- **Quiet, energy efficient operation**
  - Compliant with the Americans with Disabilities Act (ADA).
  - Included, easily removable aluminum grease filters capture grease and debris.
  - **Included** 26 watt high efficacy fluorescent lamp (about as bright as a 100 watt incandescent bulb) illuminates the cooking surface, allowing the hood to be used to comply with California Title 24 requirements. Also features a 4 watt night light (bulb not included).
  - Can be ducted either horizontally or vertically with the included duct collar and back draft damper (ducting available separately). Convertible to ductless operation with the addition of model CF-01 (30" and 36" models) or model CF-07 (24" models) charcoal odor filters (available separately).
- The ENERGY STAR Program for Residential Ventilating Fans has no provision for qualification of ductless range hoods (recirculating not ventilating), as a result the ENERGY STAR program applies to ducted range hoods only.
- **Suggested Accessories:** Back Splash, Roof or Wall Cap

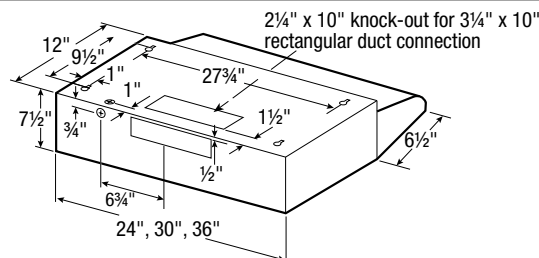
### DELUXE QUIET ADA RANGE HOODS

	MODEL	WIDTH	AIRFLOW (CFM)	SOUND (SONES)	FINISH	LIGHTING	DUCTING	ENERGY STAR QUALIFIED		
	ES248ADA	24"	Horizontal 270 / 150	Horizontal 3.5 / 1.1	Stainless Steel	26W Fluorescent	3/4" x 10"	YES		
	ES308ADA	30"								
	ES368ADA	36"								
	ES243ADA	24"			Vertical 270 / 150	Vertical 4.0 / 1.5	White	26W Fluorescent	3/4" x 10"	YES
	ES303ADA	30"								
	ES363ADA	36"								
	ES246ADA	24"	Horizontal 270 / 150	Horizontal 3.5 / 1.1			Black	26W Fluorescent	3/4" x 10"	YES
	ES306ADA	30"								
	ES366ADA	36"								

#### ESADA SERIES

#### CERTIFICATIONS

Dimensions



# ENERGY STAR® Qualified Under Cabinet Range Hoods



## QUIET ZONE

### FEATURES




- **Quiet, energy efficient operation**
- Included, easily removable aluminum grease filters capture grease and debris.
- **Included** 26 watt high efficacy fluorescent lamp (about as bright as a 100 watt incandescent bulb) illuminates the cooking surface, allowing the hood to be used to comply with California Title 24 requirements.
- Can be ducted either horizontally or vertically with the included duct collar and back draft damper for 3/4" x 10" ducting (ducting available separately). Convertible to 7" round vertical ducting with the addition of model E-22A duct collar and damper (available separately). Convertible to ductless operation with the addition of a model CF-08 charcoal odor filter.

The ENERGY STAR Program for Residential Ventilating Fans has no provision for qualification of ductless range hoods (recirculating not ventilating), as a result the ENERGY STAR program applies to ducted range hoods only.

- **Suggested Accessories:** Back Splash, Roof or Wall Cap



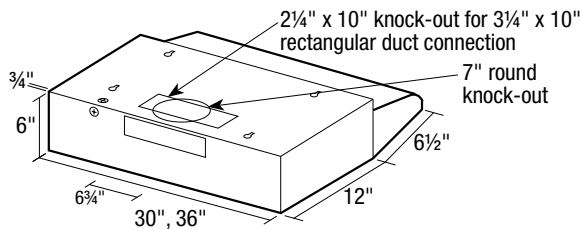
### QUIET ZONE RANGE HOODS

	MODEL	WIDTH	AIRFLOW (CFM)	SOUND (SONES)	FINISH	LIGHTING	DUCTING	ADA COMPLIANT	ENERGY STAR QUALIFIED
	ESQZ2308	30"	Horizontal 230 / 110	Horizontal 6.0 / 1.2	Stainless Steel	26W Fluorescent	3/4" x 10", 7" round	NO	YES
	ESQZ2368	36"							
	ESQZ2303	30"	Vertical 210 / 120	Vertical 5.0 / 1.5	White	26W Fluorescent	3/4" x 10", 7" round	NO	YES
	ESQZ2363	36"							
	ESQZ2306	30"	Round 200 / 110	Round 5.5 / 1.5	Black	26W Fluorescent	3/4" x 10", 7" round	NO	YES
	ESQZ2366	36"							

#### ESQZ SERIES

#### CERTIFICATIONS

Dimensions



# ENERGY STAR® Qualified ADA Under Cabinet Range Hoods



## INCLUDES WALL SWITCH

Includes dual rocker, white control switch mounts to the wall at an accessible height. Fits a triple gang box.



## QUIET ZONE




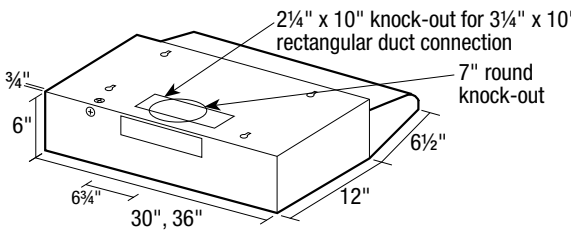


### FEATURES

- **Quiet, energy efficient operation**
- Compliant with the Americans with Disabilities Act (ADA).
- Included, easily removable aluminum grease filters capture grease and debris.
- **Included** 26 watt high efficacy fluorescent lamp (about as bright as a 100 watt incandescent bulb) illuminates the cooking surface, allowing the hood to be used to comply with California Title 24 requirements.
- Can be ducted either horizontally or vertically with the included duct collar and back draft damper for 3/4" x 10" ducting (ducting available separately). Convertible to 7" round vertical ducting with the addition of model E-22A duct collar and damper (available separately). Convertible to ductless operation with the addition of a model CF-08 charcoal odor filter.

The ENERGY STAR Program for Residential Ventilating Fans has no provision for qualification of ductless range hoods (recirculating not ventilating), as a result the ENERGY STAR program applies to ducted range hoods only.

- **Suggested Accessories:** Back Splash, Roof or Wall Cap



QUIET ZONE ADA RANGE HOODS									
	MODEL	WIDTH	AIRFLOW (CFM)	SOUND (SONES)	FINISH	LIGHTING	DUCTING	ADA COMPLIANT	ENERGY STAR QUALIFIED
	ESZ308ADA	30"	Horizontal 230 / 110	Horizontal 6.0 / 1.2	Stainless Steel	26W Fluorescent	3/4" x 10", 7" round	YES	YES
	ESZ368ADA	36"							
	ESZ303ADA	30"	Vertical 210 / 120	Vertical 5.0 / 1.5	White	26W Fluorescent	3/4" x 10", 7" round	YES	YES
	ESZ363ADA	36"							
	ESZ306ADA	30"	Round 200 / 110	Round 5.5 / 1.5	Black	26W Fluorescent	3/4" x 10", 7" round	YES	YES
	ESZ366ADA	36"							
ESQZ SERIES								CERTIFICATIONS	
Dimensions								 	

# Under Cabinet Range Hoods



## FEATURES




- Infinite speed motor control
- Up to 200 CFM of ventilation.
- Included, easily removable aluminum mesh grease filter captures grease and debris.
- Utilizes a 26W medium base energy efficient fluorescent lamp (up to a 60W type A19 incandescent bulb can also be used)
- **Suggested Accessories:** Back Splash, Roof or Wall Cap

**QZ SERIES:** Can be ducted either horizontally or vertically with the included duct collar and back draft damper for 3/4" x 10" ducting (ducting available separately). Convertible to 7" round vertical ducting with the addition of model E-22A duct collar and damper (available separately). Convertible to ductless operation with the addition of a model CF-08 charcoal odor filter.

**QZX SERIES:** 3/4" x 10" vertical or Horizontal ducting only.

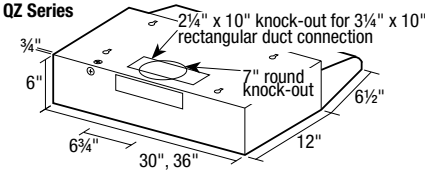
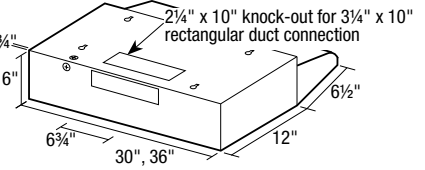




## QUIET ZONE SERIES RANGE HOODS

	MODEL	WIDTH	AIRFLOW (CFM)	SOUND (SONES)	FINISH	LIGHTING	DUCTING		
	QZ2308	30"	Vertical 260	Vertical 6.0	Stainless Steel	26W CFL or 60W Incandescent (Bulb not included)	3/4" x 10", 7" Round		
	QZ2368	36"					3/4" x 10" Only		
	QZ2308X	30"							
	QZ2368X	36"							
	QZ2303	30"			Horizontal 250	Horizontal 5.5		White	26W CFL or 60W Incandescent (Bulb not included)
	QZ2363	36"					3/4" x 10" Only		
	QZ2303X	30"							
	QZ2363X	36"							
	QZ2306	30"	Vertical 260	Vertical 6.0	Black	26W CFL or 60W Incandescent (Bulb not included)		3/4" x 10", 7" Round	
	QZ2366	36"					3/4" x 10" Only		
	QZ2306X	30"							
	QZ2366X	36"							

### QZ AND QZX SERIES

### CERTIFICATIONS

Dimensions	<b>QZ Series</b> 	<b>QZX Series</b> 	 
------------	---	---	--






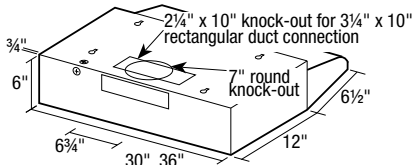


# Under Cabinet Range Hoods



## FEATURES

- Infinite speed motor control.
- Up to 200 CFM of ventilation.
- Can be ducted either horizontally or vertically with the included duct collar and back draft damper for 3/4" x 10" ducting (ducting available separately). Convertible to 7" round vertical ducting with the addition of model E-22A duct collar and damper (available separately). Convertible to ductless operation with the addition of a model RF-34S charcoal odor filter.
- Included, easily removable aluminum mesh grease filter captures grease and debris.
- Utilizes a 26W medium base energy efficient fluorescent lamp (up to a 60W type A19 incandescent bulb can also be used)
- **Suggested Accessories:** Back Splash, Roof or Wall Cap



DESIGNER SERIES RANGE HOODS							
	MODEL	WIDTH	AIRFLOW (CFM)	SOUND (SONES)	FINISH	LIGHTING	DUCTING
	DS1308	30"	Vertical 200	Vertical 6.5	Stainless Steel	26W CFL or 60W Incandescent (Bulb not included)	3/4" x 10", 7" Round
	DS1368	36"					
	DS1303	30"	Horizontal 200	Horizontal 6.5	White		
	DS1363	36"					
	DS1306	30"			Black		
	DS1366	36"					
<b>DS SERIES</b>						<b>CERTIFICATIONS</b>	
Dimensions							 

# Under Cabinet Range Hoods








## FEATURES

- Two speed motor control.
- Included, easily removable aluminum mesh grease filter captures grease and debris.
- Can be ducted either horizontally or vertically with the included duct collar and back draft damper for 3/4" x 10" ducting (ducting available separately). Convertible to 7" round vertical ducting with the addition of model E-22A duct collar and damper (available separately). Convertible to ductless operation with the addition of a model RF-34S charcoal odor filter.
- Utilizes a 26W medium base energy efficient fluorescent lamp (up to a 60W type A19 incandescent bulb can also be used)
- **Suggested Accessories:** Back Splash, Roof or Wall Cap.



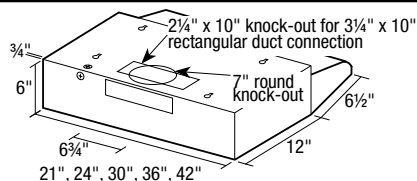
## ADVANTAGE SERIES RANGE HOODS

	MODEL	WIDTH	AIRFLOW (CFM)	SOUND (SONES)	FINISH	LIGHTING	DUCTING
	AV1218	21"	Vertical 180	Vertical 7.5	Stainless Steel	26W CFL or 60W Incandescent (Bulb not included)	3/4" x 10", 7" Round
	AV1248	24"					
	AV1308	30"					
	AV1368	36"	Horizontal 180	Horizontal 7.0			
	AV1342	42"					
	AV1213	21"	Vertical 180	Vertical 7.5	White	26W CFL or 60W Incandescent (Bulb not included)	3/4" x 10", 7" Round
	AV1243	24"					
	AV1303	30"					
	AV1363	36"	Horizontal 180	Horizontal 7.0			
	AV1343	42"					
	AV1214	21"	Vertical 180	Vertical 7.5	Biscuit	26W CFL or 60W Incandescent (Bulb not included)	3/4" x 10", 7" Round
	AV1244	24"					
	AV1304	30"					
	AV1364	36"	Horizontal 180	Horizontal 7.0			
	AV1344	42"					
	AV1215	21"	Vertical 180	Vertical 7.5	Almond	26W CFL or 60W Incandescent (Bulb not included)	3/4" x 10", 7" Round
	AV1245	24"					
	AV1305	30"					
	AV1365	36"	Horizontal 180	Horizontal 7.0			
	AV1345	42"					
	AV1216	21"	Vertical 180	Vertical 7.5	Black	26W CFL or 60W Incandescent (Bulb not included)	3/4" x 10", 7" Round
	AV1246	24"					
	AV1306	30"					
	AV1366	36"	Horizontal 180	Horizontal 7.0			
	AV1346	42"					

### AV SERIES

### CERTIFICATIONS

Dimensions



# Under Cabinet Range Hoods



## FEATURES

- Two speed motor control
- Included, easily removable aluminum mesh grease filter captures grease and debris.
- Utilizes a 26W medium base energy efficient fluorescent lamp (up to a 60W type A19 incandescent bulb can also be used)
- **Suggested Accessories:** Back Splash, Roof or Wall Cap








**AR SERIES:** Performance - 180 CFM @ 7.5 Sones Vertical, Filters: Grease - RF35S

**AX SERIES:** Performance - 160 CFM @ 6.5 Sones Horizontal/Vertical, Filters: Grease - RF35S

**AD SERIES:** Ductless Operation Only, Filters: Combination Odor/Grease - RF55

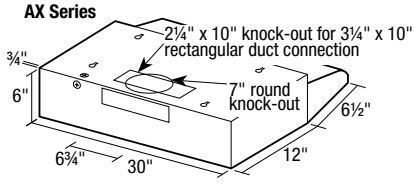
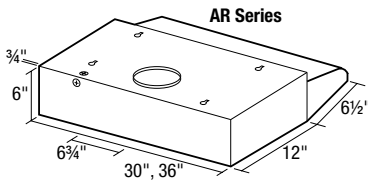
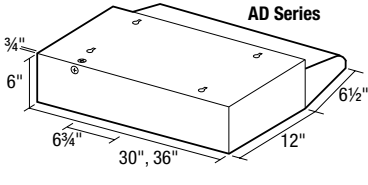




## ADVANTAGE SERIES RANGE HOODS

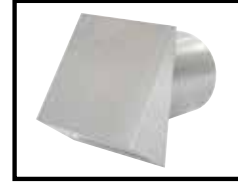
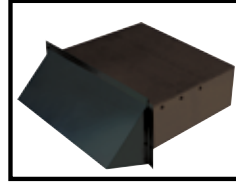
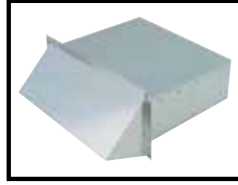
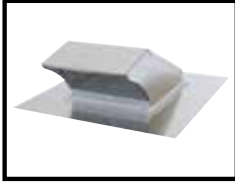
	MODEL	WIDTH	AIRFLOW (CFM)	SOUND (SONES)	FINISH	LIGHTING	DUCTING		
	AR1308	30"	Vertical 180	Vertical 7.5	Stainless Steel	26W CFL or 60W Incandescent (Bulb not included)	7" Round		
	AR1368	36"			White				
	AR1303	30"			Horizontal 160			Horizontal 6.5	Black
	AR1363	36"							White
	AR1306	30"							Vertical 160
	AR1366	36"			White				
	AX1308	30"	The Home Ventilating Institute (HVI) does not currently certify or test ductless range hoods. As a result, sound (sones) and CFM are not listed	Vertical 6.5	Stainless Steel	26W CFL or 60W Incandescent (Bulb not included)	3 1/4" x 10" 7" Round		
	AX1303	30"			White				
	AX1306	30"			Horizontal 160			Horizontal 6.5	Black
	AD1308	30"							Stainless Steel
AD1368	36"								
	AD1303	30"			Vertical 160			Vertical 6.5	
	AD1363	36"	Black						
	AD1306	30"	Horizontal 160	Horizontal 6.5	Black				
	AD1366	36"			White				

### AR, AX, AD SERIES

### CERTIFICATIONS

Dimensions	 <p><b>AX Series</b></p> <p>2 1/4" x 10" knock-out for 3 1/4" x 10" rectangular duct connection</p> <p>7" round knock-out</p>	 <p><b>AR Series</b></p>	 <p><b>AD Series</b></p>	 

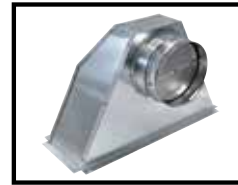
# Accessories



## ROOF and WALL CAPS

The finishing touch to any system is the wall or roof cap. Properly exhaust the air out of the home using a roof or wall cap matched to your system's needs.

MODEL	DESCRIPTION	SIZE	CONSTRUCTION
PRC6R	Roof Cap w/Spring Loaded Damper	6" Round	Galvanized Steel
PRC8R	Roof Cap	8" Round	Galvanized Steel
PRC10R	Roof Cap w/Spring Loaded Damper	10" Round	Galvanized Steel
WCR10	Wall Cap	3¼" x 10"	Galvanized Steel
WC310B	Wall Cap w/Damper, Black	3¼" x 10"	Painted Steel
PWC6R	Wall Cap w/Damper	6" Round	Galvanized Steel
PWC8R	Wall Cap w/Damper	8" Round	Galvanized Steel
PWC10R	Wall Cap w/Damper	10" Round	Galvanized Steel



## DUCTING ACCESSORIES

Properly connect your ducting using the Air King ducting accessories.

MODEL	DESCRIPTION	SIZE	CONSTRUCTION
RSD24-10	2' Ducting Section	3¼" x 10"	Galvanized Steel
EL907	90° Adjustable Elbow	7" Round	Galvanized Steel
TR7-10	Universal Boot Transition	3¼" x 10" - 7" Round	Galvanized Steel
RDC7	Round Collar (use with QZ, DS, and AV Series)	7" Round	Galvanized Steel
E-22A	Round Collar w/Aluminum Damper (use with QZ, DS, and AV Series)	7" Round	Galvanized Steel
OA6VD	Vertical Outlet Adapter w/Back Draft Damper <sup>7</sup>	6" Round	Galvanized Steel
OA8VD	Vertical Outlet Adapter w/Back Draft Damper <sup>7</sup>	8" Round	Galvanized Steel
OA10VD	Vertical Outlet Adapter w/Back Draft Damper <sup>7</sup>	10" Round	Galvanized Steel
OA6HD	Horizontal Outlet Adapter w/Back Draft Damper <sup>7</sup>	6" Round	Galvanized Steel
OA8HD	Horizontal Outlet Adapter w/Back Draft Damper <sup>7</sup>	8" Round	Galvanized Steel
OA10HD	Horizontal Outlet Adapter w/Back Draft Damper <sup>7</sup>	10" Round	Galvanized Steel

<sup>7</sup> For use with Professional Range Hood Series

## BARCELONA® COLLECTION SPICE RACKS

Enhance the functionality of the Valencia™ or Granada™ Series range hoods with the addition of a spice rack. Rack easily installs to wall with included brackets.



MODEL	DESCRIPTION	SIZE	USE WITH
WSV30	Spice Rack	30"	Valencia™, Granada™
WSV36	Spice Rack	36"	Valencia™, Granada™

## FILTERS

Properly maintain your Air King range hood with the correct filter.

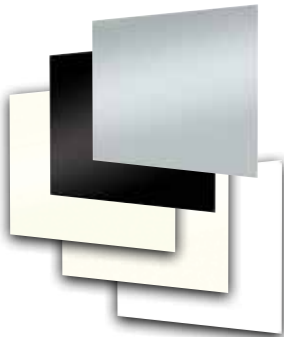


MODEL	DESCRIPTION	USE WITH
RF34S	Charcoal Odor Filter	DS, AV Series
RF35S	Grease Filter	DS, AV, AR Series
RF55S	Combination Grease/Charcoal Odor Filter	AD Series
CF-01S	Combination Grease/Charcoal Odor Filter	APDQ, ESAP, ESDQ, ESADA, ECV, ECQ Series
GF-01S	Grease Filter	APDQ, ESAP, ESDQ, ESADA, ECV, ECQ Series
CF-07S	Combination Grease/Charcoal Odor Filter	ESDQ24, ES24ADA, ECQ24 Series
GF-07S	Grease Filter	ESDQ24, ES24ADA, ECQ24 Series
CF-06S	Charcoal Odor Filter	QZ2 Series
GF-06S	Grease Filter	QZ2 Series
CF-08	Charcoal Odor Filter	ESQZ Series
GF-08	Grease Filter	ESQZ Series
CF-09	Charcoal Odor Filter	30" AB, EB Series
GF-09	Grease Filter	30" AB, EB Series
CF-10	Charcoal Odor Filter	36" AB, EB Series
GF-10	Grease Filter	36" AB, EB Series
BCCF-01	Charcoal Odor Filter	Barcelona® Collection*
BCCF-02	Combination Grease/Charcoal Odor Filter	ESVAL, VAL Series
BCCF-03	Combination Grease/Charcoal Odor Filter	ESSEV, SEV Series
BCGF-01	Grease Filter	Barcelona® Collection
PGB-01	Grease Baffle	Professional Series
PGB-02	Grease Baffle	Professional Series
PGB-03	Grease Baffle	Professional Series
GF1030	Grease Filter	AP1030, APF1030
GF1036	Grease Filter	AP1036, APF1036
GF1830	Grease Filter	AP1830, APF1830
GF1836	Grease Filter	AP1836, APF1836
AP1830BK	Grease Baffle Kit	APF 30" Series
AP1836BK	Grease Baffle Kit	APF 36" Series

\* Except ESVAL and VAL series hoods

## UNDER CABINET BACK SPLASHES

Protect the wall behind your cooking surface with an Air King back splash, designed to match both the finish and size of your range hood.



WIDTH	HEIGHT	WHITE	BISCUIT	ALMOND	BLACK	STAINLESS STEEL
24"	24"	SP2424W	SP2424BI	SP2424A	SP2424B	SP2424S
30"	24"	SP2430W	SP2430BI	SP2430A	SP2430B	SP2430S
36"	24"	SP2436W	SP2436BI	SP2436A	SP2436B	SP2436S
42"	24"	SP2442W	SP2442BI	SP2442A	SP2442B	SP2442S

## RANGE HOOD SHELLS

The Air King range hood shells provide protection to the underside of the cabinets above the cooking surface when the area does not require ventilation. Includes the shell only.



WIDTH	WHITE	BISCUIT	ALMOND	BLACK	STAINLESS STEEL
21"	RS213	RS214	RS215	RS216	RS218
24"	RS243	RS244	RS245	RS246	RS248
30"	RS303	RS304	RS305	RS306	RS308
36"	RS363	RS364	RS365	RS366	RS368

**NOTE:** Models with a light function (RSL series) are available through special order.

## FLUORESCENT LAMPS

Illuminate the cooking surface with the lamps designed to work perfectly with your Air King ENERGY STAR® qualified range hood.



MODEL	TYPE	USE WITH
26SBL	26 watt, High efficacy self ballasted compact fluorescent GU24 base ENERGY STAR qualified lamp	ESVAL, ESDQ, ESQZ Seires
18SBL	18 watt, High efficacy self ballasted compact fluorescent GU24 base ENERGY STAR qualified lamp	ESSEV, APF, EB, ESAPDQ Series

# Specifications

MODEL	CFM/SONES	FINISH	ENERGY STAR QUALIFIED	PAGE
APF1030-600	500 / 5.0	Stainless Steel	YES	6
APF1036-600	500 / 5.0	Stainless Steel	YES	6
APF1830-600	500 / 5.0	Stainless Steel	YES	6
APF1836-600	500 / 5.0	Stainless Steel	YES	6
APF1030-300	300 / 1.5	Stainless Steel	YES	6
APF1036-300	300 / 1.5	Stainless Steel	YES	6
APF1830-300	300 / 1.5	Stainless Steel	YES	6
APF1836-300	300 / 1.5	Stainless Steel	YES	6
AP1030-600	600 / 5.5	Stainless Steel	NO	7
AP1036-600	600 / 5.5	Stainless Steel	NO	7
AP1830-600	600 / 5.5	Stainless Steel	NO	7
AP1836-600	600 / 5.5	Stainless Steel	NO	7
AP1030-500	500 / 4.5	Stainless Steel	NO	7
AP1036-500	500 / 4.5	Stainless Steel	NO	7
AP1830-500	500 / 4.5	Stainless Steel	NO	7
AP1836-500	500 / 4.5	Stainless Steel	NO	7
AP1030-300	300 / 1.5	Stainless Steel	NO	7
AP1036-300	300 / 1.5	Stainless Steel	NO	7
AP1830-300	300 / 1.5	Stainless Steel	NO	7
AP1836-300	300 / 1.5	Stainless Steel	NO	7
AP1836-900	900 / 11.0	Stainless Steel	NO	7
P1836m	*	Stainless Steel	NO	9
P1842m	*	Stainless Steel	NO	9
P1848m	*	Stainless Steel	NO	9
AP1836m	*	Stainless Steel	NO	9
P1030	*	Stainless Steel	NO	10
P1036	*	Stainless Steel	NO	10
P1036W	*	Stainless Steel	NO	10
P1836	*	Stainless Steel	NO	10
P1842	*	Stainless Steel	NO	10
P1848	*	Stainless Steel	NO	10
P1836W	*	Stainless Steel	NO	10
P1842W	*	Stainless Steel	NO	10
P1848W	*	Stainless Steel	NO	10
PIN300m	300 / 1.5	Stainless Steel	NO	12
PIN500m	500 / 4.5	Stainless Steel	NO	12
PIN600m	600 / 5.5	Stainless Steel	NO	12
PIN900m	900 / 11.0	Stainless Steel	NO	12
PIN1200m	1200 / 15.0	Stainless Steel	NO	12
LIN28m-300	300 / 4.5	Stainless Steel	NO	13
LIN28md-300	300 / 4.5	Stainless Steel	NO	13
LIN28m-400	400 / 8.0	Stainless Steel	NO	13
LIN28md-400	400 / 8.0	Stainless Steel	NO	13
LIN28m-600	600 / 5.5	Stainless Steel	NO	13
LIN28md-600	600 / 5.5	Stainless Steel	NO	13
LIN34m-300	300 / 4.5	Stainless Steel	NO	13
LIN34md-300	300 / 4.5	Stainless Steel	NO	13
LIN34m-400	400 / 8.0	Stainless Steel	NO	13
LIN34md-400	400 / 8.0	Stainless Steel	NO	13
LIN34m-600	600 / 5.5	Stainless Steel	NO	13
LIN34md-600	600 / 5.5	Stainless Steel	NO	13
LIN40m-300	300 / 4.5	Stainless Steel	NO	13
LIN40md-300	300 / 4.5	Stainless Steel	NO	13
LIN40m-400	400 / 8.0	Stainless Steel	NO	13
LIN40md-400	400 / 8.0	Stainless Steel	NO	13

\* Unit does not include blower (blower is sold separately)

MODEL	CFM/SONES	FINISH	ENERGY STAR QUALIFIED	PAGE
LIN40m-600	600 / 5.5	Stainless Steel	NO	13
LIN40md-600	600 / 5.5	Stainless Steel	NO	13
LIN46md-1200	1200 / 15.0	Stainless Steel	NO	13
LIN58md-1200	1200 / 15.0	Stainless Steel	NO	13
ESSEV28	300 / 4.5	Stainless Steel	YES	14
ESSEV30	300 / 4.5	Stainless Steel	YES	14
SEV24AB	300 / 4.5	Stainless Steel	NO	15
SEV24S	450 / 11.5	Stainless Steel	NO	15
SEV28AB	300 / 4.5	Stainless Steel	NO	15
SEV28S	500 / 11.5	Stainless Steel	NO	15
SEV30AB	300 / 4.5	Stainless Steel	NO	15
SEV30S	500 / 11.5	Stainless Steel	NO	15
ESVAL30SS	300 / 4.5	Stainless Steel	YES	16
ESVAL36SS	300 / 4.5	Stainless Steel	YES	16
ESVAL30WH	300 / 4.5	White	YES	16
ESVAL36WH	300 / 4.5	White	YES	16
ESVAL30BL	300 / 4.5	Black	YES	16
ESVAL36BL	300 / 4.5	Black	YES	16
VAL30SAB	300 / 4.0	Stainless Steel	NO	17
VAL30S	500 / 11.0	Stainless Steel	NO	17
VAL36SAB	300 / 4.0	Stainless Steel	NO	17
VAL36S	500 / 11.0	Stainless Steel	NO	17
VAL30WAB	300 / 4.0	White	NO	17
VAL30W	500 / 11.0	White	NO	17
VAL36WAB	300 / 4.0	White	NO	17
VAL36W	500 / 11.0	White	NO	17
VAL30BAB	300 / 4.0	Black	NO	17
VAL30B	500 / 11.0	Black	NO	17
VAL36BAB	300 / 4.0	Black	NO	17
VAL36B	500 / 11.0	Black	NO	17
SEG36SS	600 / 14.0	Stainless Steel	NO	18
ARA36GL	570 / 12.0	Stainless Steel	NO	18
GRAN30SS	600 / 14.0	Stainless Steel	NO	18
GRAN36SS	600 / 14.0	Stainless Steel	NO	18
GRAN48SS	600 / 14.0	Stainless Steel	NO	18
IBIZ36GL	570 / 12.5	Stainless Steel	NO	19
PAMP36SS	600 / 14.0	Stainless Steel	NO	19
MAL36SS	600 / 14.0	Stainless Steel	NO	19
ALI36SS	500 / 12.5	Stainless Steel	NO	20
ALI36WH	500 / 12.5	White	NO	20
ALI36BL	500 / 12.5	Black	NO	20
ECV308	250/4.0	Stainless Steel	YES	22
ECV368	250/4.0	Stainless Steel	YES	22
ECQ248	250/4.0	Stainless Steel	YES	23
ECQ308	250/4.0	Stainless Steel	YES	23
ECQ368	250/4.0	Stainless Steel	YES	23
ECQ243	250/4.0	White	YES	23
ECQ303	250/4.0	White	YES	23
ECQ363	250/4.0	White	YES	23
ECQ246	250/4.0	Black	YES	23
ECQ306	250/4.0	Black	YES	23
ECQ366	250/4.0	Black	YES	23
ESAPDQ30	270/4.0	Stainless Steel	YES	24
ESAPDQ36	270/4.0	Stainless Steel	YES	24
ESAP30ADA	270/4.0	Stainless Steel	YES	24
ESAP36ADA	270/4.0	Stainless Steel	YES	24

# Specifications

MODEL	CFM/SONES	FINISH	ENERGY STAR QUALIFIED	PAGE
APDQ30	300 / 5.5	Stainless Steel	NO	25
APDQ36	300 / 5.5	Stainless Steel	NO	25
EB30SS	250 / 5.0	Stainless Steel	YES	26
EB36SS	250 / 5.0	Stainless Steel	YES	26
EB30WH	250 / 5.0	White	YES	26
EB36WH	250 / 5.0	White	YES	26
EB30BL	250 / 5.0	Black	YES	26
EB36BL	250 / 5.0	Black	YES	26
AB30SS	250 / 5.0	Stainless Steel	NO	27
AB36SS	250 / 5.0	Stainless Steel	NO	27
AB30WH	250 / 5.0	White	NO	27
AB36WH	250 / 5.0	White	NO	27
AB30BL	250 / 5.0	Black	NO	27
AB36BL	250 / 5.0	Black	NO	27
ESDQ1248	270 / 4.0	Stainless Steel	YES	28
ESDQ1308	270 / 4.0	Stainless Steel	YES	28
ESDQ1368	270 / 4.0	Stainless Steel	YES	28
ESDQ1243	270 / 4.0	White	YES	28
ESDQ1303	270 / 4.0	White	YES	28
ESDQ1363	270 / 4.0	White	YES	28
ESDQ1246	270 / 4.0	Black	YES	28
ESDQ1306	270 / 4.0	Black	YES	28
ESDQ1366	270 / 4.0	Black	YES	28
ES248ADA	270 / 4.0	Stainless Steel	YES	29
ES308ADA	270 / 4.0	Stainless Steel	YES	29
ES368ADA	270 / 4.0	Stainless Steel	YES	29
ES243ADA	270 / 4.0	White	YES	29
ES303ADA	270 / 4.0	White	YES	29
ES363ADA	270 / 4.0	White	YES	29
ES246ADA	270 / 4.0	Black	YES	29
ES306ADA	270 / 4.0	Black	YES	29
ES366ADA	270 / 4.0	Black	YES	29
ESQZ2308	270 / 4.5	Stainless Steel	YES	30
ESQZ2368	270 / 4.5	Stainless Steel	YES	30
ESQZ2303	270 / 4.5	White	YES	30
ESQZ2363	270 / 4.5	White	YES	30
ESQZ2306	270 / 4.5	Black	YES	30
ESQZ2366	270 / 4.5	Black	YES	30
ESZ308ADA	270 / 4.5	Stainless Steel	YES	31
ESZ368ADA	270 / 4.5	Stainless Steel	YES	31
ESZ303ADA	270 / 4.5	White	YES	31
ESZ363ADA	270 / 4.5	White	YES	31
ESZ306ADA	270 / 4.5	Black	YES	31
ESZ366ADA	270 / 4.5	Black	YES	31
QZ2308	260 / 6.0	Stainless Steel	NO	32
QZ2368	260 / 6.0	Stainless Steel	NO	32
QZ2308X	260 / 6.0	Stainless Steel	NO	32
QZ2368X	260 / 6.0	Stainless Steel	NO	32
QZ2303	260 / 6.0	White	NO	32
QZ2363	260 / 6.0	White	NO	32
QZ2303X	260 / 6.0	White	NO	32
QZ2363X	260 / 6.0	White	NO	32
QZ2306	260 / 6.0	Black	NO	32
QZ2366	260 / 6.0	Black	NO	32
QZ2306X	260 / 6.0	Black	NO	32
QZ2366X	260 / 6.0	Black	NO	32

MODEL	CFM/SONES	FINISH	ENERGY STAR QUALIFIED	PAGE
DS1308	200 / 6.5	Stainless Steel	NO	33
DS1368	200 / 6.5	Stainless Steel	NO	33
DS1303	200 / 6.5	White	NO	33
DS1363	200 / 6.5	White	NO	33
DS1306	200 / 6.5	Black	NO	33
DS1366	200 / 6.5	Black	NO	33
AV1213	180 / 7.0	White	NO	34
AV1243	180 / 7.0	White	NO	34
AV1303	180 / 7.0	White	NO	34
AV1363	180 / 7.0	White	NO	34
AV1423	180 / 7.0	White	NO	34
AV1214	180 / 7.0	Biscuit	NO	34
AV1244	180 / 7.0	Biscuit	NO	34
AV1304	180 / 7.0	Biscuit	NO	34
AV1364	180 / 7.0	Biscuit	NO	34
AV1424	180 / 7.0	Biscuit	NO	34
AV1215	180 / 7.0	Almond	NO	34
AV1245	180 / 7.0	Almond	NO	34
AV1305	180 / 7.0	Almond	NO	34
AV1365	180 / 7.0	Almond	NO	34
AV1425	180 / 7.0	Almond	NO	34
AV1216	180 / 7.0	Black	NO	34
AV1246	180 / 7.0	Black	NO	34
AV1306	180 / 7.0	Black	NO	34
AV1366	180 / 7.0	Black	NO	34
AV1425	180 / 7.0	Black	NO	34
AV1218	180 / 7.0	Stainless Steel	NO	34
AV1248	180 / 7.0	Stainless Steel	NO	34
AV1308	180 / 7.0	Stainless Steel	NO	34
AV1368	180 / 7.0	Stainless Steel	NO	34
AV1428	180 / 7.0	Stainless Steel	NO	34
AR1303	180 / 7.0	White	NO	35
AR1363	180 / 7.0	White	NO	35
AR1304	180 / 7.0	Biscuit	NO	35
AR1364	180 / 7.0	Biscuit	NO	35
AR1305	180 / 7.0	Almond	NO	35
AR1365	180 / 7.0	Almond	NO	35
AR1308	180 / 7.0	Stainless Steel	NO	35
AR1368	180 / 7.0	Stainless Steel	NO	35
AX1303	160 / 6.5	White	NO	35
AX1304	160 / 6.5	Biscuit	NO	35
AX1305	160 / 6.5	Almond	NO	35
AX1306	160 / 6.5	Black	NO	35
AX1308	160 / 6.5	Stainless Steel	NO	35
AD1303	-	White	NO	35
AD1363	-	White	NO	35
AD1304	-	Biscuit	NO	35
AD1364	-	Biscuit	NO	35
AD1305	-	Almond	NO	35
AD1365	-	Almond	NO	35
AD1308	-	Stainless Steel	NO	35
AD1368	-	Stainless Steel	NO	35

NOTE: HVI does not currently certify or test ductless hoods. As a result, sound (sones) and CFM are not listed for the AD Series.



# THANK YOU TO ALL OUR WEST CHESTER, PA EMPLOYEES!



## 3 TIME ENERGY STAR® PARTNER OF THE YEAR 2014 Sustained Excellence & Climate Communications • 2013 & 2012 Partner of the Year



West Chester, PA 19380 • Phone 877-304-3785  
www.airkinglimited.com



Printed using low VOC inks on a composite of post consumer fiber, recycled paper and virgin pulp derived from sustainably managed forests.