

# IMPORTANT INSTRUCTIONS - OPERATING MANUAL

DS Series



Range Hood



## READ AND SAVE THESE INSTRUCTIONS

READ CAREFULLY BEFORE ATTEMPTING TO ASSEMBLE, INSTALL, OPERATE OR MAINTAIN THE PRODUCT DESCRIBED. PROTECT YOURSELF AND OTHERS BY OBSERVING ALL SAFETY INFORMATION. FAILURE TO COMPLY WITH INSTRUCTIONS COULD RESULT IN PERSONAL INJURY AND/OR PROPERTY DAMAGE!



RETAIN INSTRUCTIONS FOR FUTURE REFERENCE.

## GENERAL SAFETY INFORMATION

When using electrical appliances, basic precautions should always be followed to reduce the risk of fire, electric shock and injury to person, including the following:



**WARNING:** TO REDUCE THE RISK OF FIRE, ELECTRIC SHOCK AND INJURY TO PERSON, OBSERVE THE FOLLOWING:

- Use this unit only in the manner intended by the manufacturer. If you have questions, contact the manufacturer.
- Before servicing or cleaning the unit, switch power off at service panel and lock the service disconnecting means to prevent power from being switched on accidentally. When the service disconnecting means cannot be locked, securely fasten a prominent warning device, such as a tag, to the service panel.



**WARNING:** TO REDUCE THE RISK OF FIRE, ELECTRIC SHOCK AND INJURY TO PERSON, OBSERVE THE FOLLOWING:

- Installation work and electrical wiring must be done by qualified person(s) in accordance with all applicable codes and standards, including fire-related construction.
- Sufficient air is needed for proper combustion and exhausting of gases through the flue (chimney) of fuel burning equipment to prevent back drafting. Follow the heating equipment manufacturer's guideline and safety standards such as those published by the National Fire Protection Association (NFPA) and the American Society for Heating, Refrigeration, and Air Conditioning Engineers (ASHRAE), and the local code authorities.
- When cutting or drilling into wall or ceiling, do not damage electrical wiring and other hidden utilities.



**CAUTION:** FOR GENERAL VENTILATING USE ONLY. DO NOT USE TO EXHAUST HAZARDOUS OR EXPLOSIVE MATERIALS AND VAPORS.



**CAUTION:** TO REDUCE THE RISK OF FIRE AND TO PROPERLY EXHAUST AIR, BE SURE TO DUCT AIR OUTSIDE - DO NOT VENT EXHAUST AIR INTO SPACES WITHIN WALLS OR CEILINGS OR INTO ATTICS, CRAWL SPACES, OR GARAGES.

- Ducted fans must always be vented to the outdoors.
- This unit must be grounded.
- To avoid motor bearing damage and noisy and/or unbalanced impellers, keep drywall spray, construction dust, etc. off power unit.
- Read all instructions before installing or using range hood.



**WARNING:** TO REDUCE THE RISK OF FIRE, ELECTRIC SHOCK, DO NOT USE THIS FAN WITH ANY SOLID-STATE SPEED CONTROL DEVICE.



**WARNING:** TO REDUCE THE RISK OF A RANGE TOP GREASE FIRE:

- Never leave surface units unattended at high settings. Boil overs cause smoking and greasy spillovers that may ignite. Heat oils slowly on low or medium settings.
- Always turn hood ON when cooking at high heat or when flambéing food (ie. Crepes Suzette, Cherries Jubilee, Peppercorn Beef Flambé).
- Clean ventilating fans frequently. Grease should not be allowed to accumulate on fan filter.
- Use proper pan size. Always use cookware appropriate for the size of the surface element.



**WARNING:** TO REDUCE THE RISK OF INJURY TO PERSONS IN THE EVENT OF A RANGE TOP GREASE FIRE, OBSERVE THE FOLLOWING:

- SMOTHER FLAMES with a close-fitting lid, cookie sheet, or metal tray, then turn off burner. BE CAREFUL TO PREVENT BURNS. If the flames do not go out immediately, EVACUATE AND CALL THE FIRE DEPARTMENT.
- NEVER PICK UP A FLAMING PAN - You may be burned.
- DO NOT USE WATER, including wet dishcloths or towels - a violent steam explosion will result.
- Use an extinguisher ONLY if:
  - You know you have a Class ABC extinguisher, and you already know how to operate it.
  - The fire is small and contained in the area where it started.
  - The fire department is being called.
  - You can fight the fire with your back to an exit.



**WARNING:** TO REDUCE THE RISK OF FIRE, USE ONLY METAL DUCTWORK.

## SAVE THESE INSTRUCTIONS

# INSTALLATION INSTRUCTIONS



**CAUTION:** MAKE SURE POWER IS SWITCHED OFF AT SERVICE PANEL BEFORE STARTING INSTALLATION.

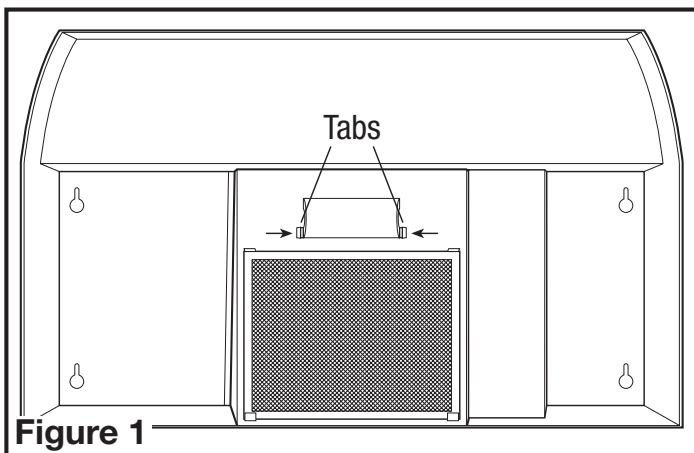
## SECTION 1

### Preparing the Range Hood

- Unpack hood from the carton and confirm that all pieces are present. In addition to the range hood you should have:
  - Aluminum Grease Filter
  - 3-1/4" x 10" Damper
  - Damper Mounting Screws
  - #8 Mounting Screws
  - Wire Compartment Cover and Screw
  - Instruction/Safety Sheet

**NOTE:** Some hoods may be shipped with a protective plastic adhered to the range hood. It is recommended to leave this in place during installation to protect the hood from scratching. Remove when the installation is complete.

- Lay the hood flat on a table so the underside is facing you. Use a piece of cardboard to avoid damaging the table or the hood.
- Remove lamp cover by squeezing the two tabs together (**Figure 1**):

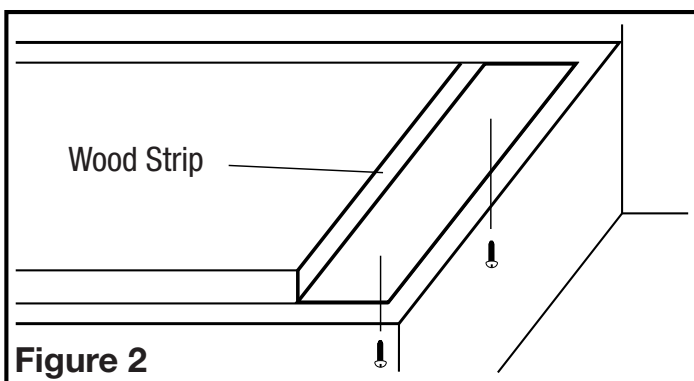


- Install a 60 watt maximum type A19 bulb and reinstall the lamp cover.

## SECTION 2

### Prepare the location for Hood Support

- If the hood will be installed under cabinets that have a recessed bottom, it will be necessary to install wood mounting strips (not included) so the hood will mount properly (**Figure 2**).

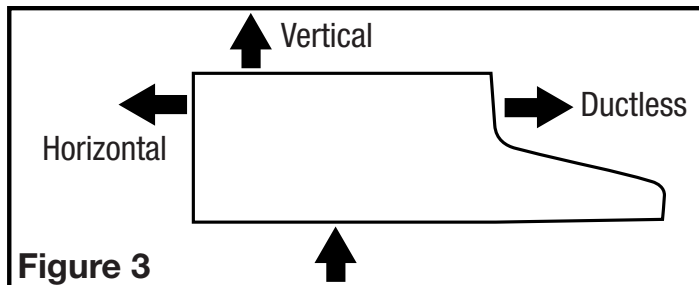


- The thickness of the strips should be the same as the recess of the cabinet and they should be approximately 2" wide.
- Install the strips using appropriate length wood screws (not included). Make sure the strips line up to the keyhole slots of the range hood.

## SECTION 3

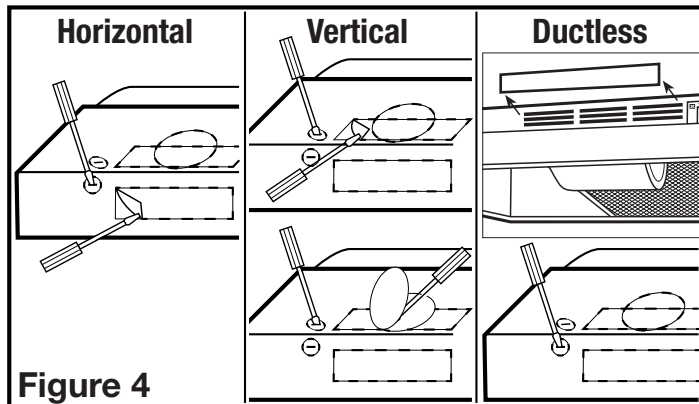
### Prepare the Hood for Installation

- Choose the type of ducting you will require. This model is equipped to vent either Vertically or Horizontally through a 3-1/4" x 10" duct. It can be modified to be ductless (re-circulates the air back into the kitchen) with the addition of a model RF55 combination grease/charcoal filter (not included) or vented through a 7" round duct with the addition of a model E-22a or RDC7 Duct Collar (not included) (**Figure 3**).



**Figure 3**

- Horizontal or Vertical** - Remove the square knockout by inserting a screw driver under the edge and break the tabs holding it in place. Peel back with pliers (**Figure 4**).



**Figure 4**

- Ductless** - Remove the hood's front louver cover, exposing the front air slots. To remove louver slide to one side and lift the trailing edge. Do not use a screwdriver or any other object that could scratch the hood (**Figure 4**).
- 7" Round** - Remove the round knockout located on the top of the hood by inserting a screw driver under the edge and break the tabs holding it in place. Peel back with pliers (**Figure 4**).
- Determine where the electrical service will enter the hood and remove the appropriate electrical knockout by inserting a screw driver into the slot and rocking back and forth until the knockout comes loose (**Figure 4**).

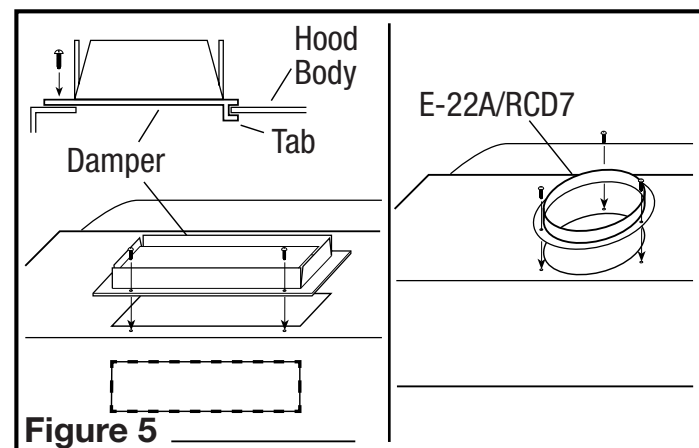
## SECTION 4

### Installing the Range Hood



**CAUTION:** MAKE SURE POWER IS SWITCHED OFF AT SERVICE PANEL BEFORE STARTING INSTALLATION.

- Once the proper knockout(s) have been removed, either hold the hood up to the installation location and mark the locations of the ducting (if applicable), electrical, and mounting holes or mark the locations by measurement.
- Cut appropriate holes for ducting connection (if applicable) and electrical connection in the wall/cabinet.
- For 3-1/4" x 10" vertical or horizontal ducting, install the damper assembly to the hood by sliding the tabbed section of the damper under the hood body and securing with the two provided screws. For 7" round ducting, secure either a model E-22a or RCD7 Duct Collar (not included) to the hood with the three provided screws. Using approved duct tape, tape around the collar to seal off any air leaks (**Figure 5**).

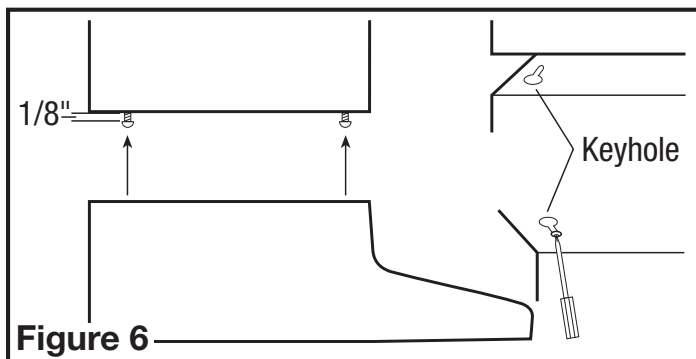


**Figure 5**

- Install an approved wire connector to the electrical knockout of the hood and guide the electrical cable through the hood, allowing at least 6" of wire for connections and tighten.

**NOTE:** If installing into existing construction and you will not have access to the ductwork once the hood is in place, make ducting connections at this point. Refer to the Ducting Section for instructions.

5. Install the 4 mounting screws at the previously marked locations. Leave approximately 1/8" clearance. Slide the hood in place through the keyhole slots and align the front of the hood so that it is flush with the front of the cabinets. Tighten all screws securely (Figure 6).



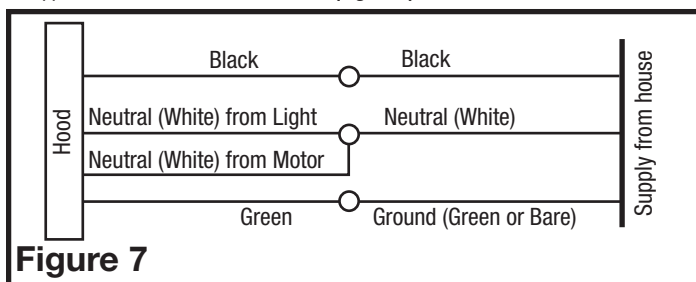
**CAUTION:** DO NOT INSTALL CLOSER THAN 22 INCHES ABOVE COOKING SURFACE.

## SECTION 5

### Wiring

**CAUTION:** ALL ELECTRICAL CONNECTIONS MUST BE MADE IN ACCORDANCE WITH LOCAL CODES, ORDINANCES, OR NATIONAL ELECTRICAL CODE. IF YOU ARE UNFAMILIAR WITH METHODS OF INSTALLING ELECTRICAL WIRING, SECURE THE SERVICES OF A QUALIFIED ELECTRICIAN.

1. Connect the 2 loose White wires from the range hood to the White wire from the supply, and the loose Black wire from the range hood to the Black wire of the supply. Connect the ground wire (green or bare) from the supply to the green ground screw of the hood. Use approved methods for all connections (Figure 7).



**NOTE:** DO NOT disconnect any wiring that has already been crimped with a wire connector from the factory.

2. Install the wire compartment cover and tighten screw. Make sure all wiring is securely contained within the wire compartment.

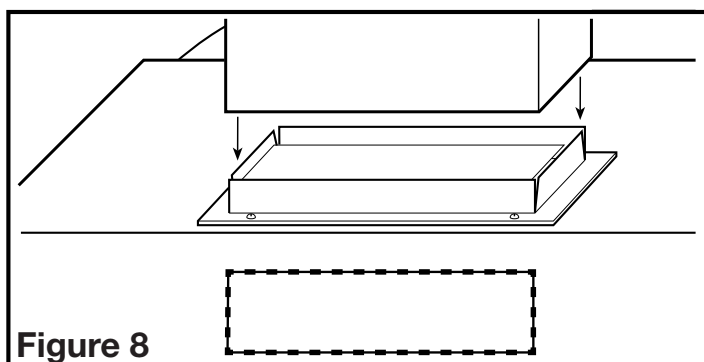
## SECTION 6

### Ducting

**CAUTION:** ALL DUCTING MUST COMPLY WITH LOCAL AND NATIONAL BUILDING CODES.

**WARNING:** TO REDUCE THE RISK OF FIRE, USE ONLY METAL DUCTWORK.

1. Connect the ducting to the hood's duct collar and damper. Secure in place using tape to seal all joints (Figure 8).

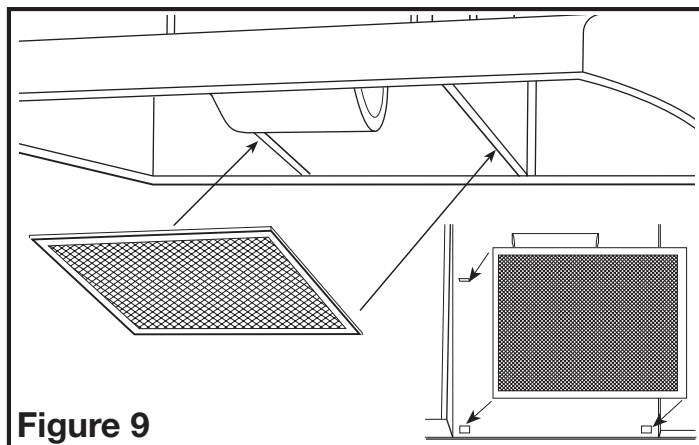


**CAUTION:** ALWAYS DUCT THE FAN TO THE OUTSIDE THROUGH A WALL OR ROOF CAP.

## SECTION 7

### Finishing the Installation

1. Install the appropriate filter sliding the back side of the filter into the tab and pressing the front of the filter into place (Figure 9).



2. Turn switches to the "OFF" position and restore power. Test that the light and the fan are operating properly.
3. If there is any vibration noise, check for the source and try to tighten fasteners.

## SECTION 8

### Operation

#### Controls

Your Range Hood is equipped with two rotary switches with one controlling the lighting and the other controlling the exhaust fan. The light switch has three positions, HIGH (●), LOW (◐), and OFF (■). The fan switch is an infinite speed control that can be adjusted to your desired setting. Rotating the switch counter clockwise until you hear a click will turn the hood off.

## SECTION 9

### Maintenance

**CAUTION:** MAKE SURE POWER IS SWITCHED OFF AT SERVICE PANEL BEFORE SERVICING THE UNIT.

#### Filters

**Grease Filter** - Included with your range hood is an aluminum grease filter that should be washed in hot water with detergent once a month. Reverse the instructions in the "Finishing the Installation" section of the instructions to remove filter. If the grease filter becomes damaged, replace with Air King Model RF35 Grease Filter.

**Charcoal Odor Filter** - If you have installed an optional combination grease/charcoal filter, it cannot be washed and must be discarded and replaced when it becomes noticeably dirty, has stopped filtering the odors, or at least once per year. Replace with Air King Model RF55 Combination Odor/Grease Filter.

#### Cleaning

**CAUTION:** DO NOT USE GASOLINE, BENZINE, THINNER, HARSH CLEANSERS, ETC., AS THEY MAY DAMAGE THE RANGE HOOD.

1. Clean your range hood with a mild detergent, such as dishwashing liquid, and dry with a soft cloth. NEVER USE ANY ABRASIVE PADS OR SCOURING POWDERS. Completely dry before restoring power. NEVER IMMERSE ELECTRICAL PARTS IN WATER.
2. The fan assembly can be vacuumed when build up (dirt, lint, etc.) accumulates over time. The fan is permanently lubricated and does not require oiling.

#### CALIFORNIA RESIDENTS ONLY:

**WARNING:** THIS PRODUCT CAN EXPOSE YOU TO A CHEMICAL [OR CHEMICALS] KNOWN TO THE STATE OF CALIFORNIA TO CAUSE CANCER.

**WARNING:** THIS PRODUCT CAN EXPOSE YOU TO A CHEMICAL [OR CHEMICALS] KNOWN TO THE STATE OF CALIFORNIA TO CAUSE REPRODUCTIVE TOXICITY.

# Troubleshooting Guide

Trouble	Probable Cause	Suggested Remedy
1. Hood does not operate when the switch is on.	1a. A fuse may be blown or a circuit tripped. 1b. Wiring is not connected properly.	1a. Replace fuse or reset circuit breaker. 1b. Turn off power to unit. Check that all wires are connected.
2. Hood is operating, but air moves slower than normal.	2. Obstruction in the exhaust ducting.	2. Check for any obstructions in the ducting including filter.
3. Hood is making a rattling noise.	3a. Filters are loose. 3b. Duct connection is loose.	3a. Turn off power to unit. Check that all filter are securely in place. 3b. Turn off power to unit. Check that duct connection is tight.

## LIMITED WARRANTY

**WHAT THIS WARRANTY COVERS:** This product is warranted against defects in workmanship and/or materials.

**HOW LONG THIS WARRANTY LASTS:** This warranty extends only to the original purchaser of the product and lasts for one (1) year from the date of original purchase or until the original purchaser of the product sells or transfers the product, whichever first occurs.

**WHAT AIR KING WILL DO:** During the warranty period, Air King will, at its sole option, repair or replace any part or parts that prove to be defective or replace the whole product with the same or comparable model.

**WHAT THIS WARRANTY DOES NOT COVER:** This warranty does not apply if the product was damaged or failed because of accident, improper handling or operation, shipping damage, abuse, misuse, unauthorized repairs made or attempted. This warranty does not cover shipping costs for the return of products to Air King for repair or replacement. Air King will pay return shipping charges from Air King following warranty repairs or replacement.

**ANY AND ALL WARRANTIES, EXPRESSED OR IMPLIED (INCLUDING, WITHOUT LIMITATION, ANY IMPLIED WARRANTY OF MERCHANTABILITY), LAST ONE YEAR FROM THE DATE OF ORIGINAL PURCHASE OR UNTIL THE ORIGINAL PURCHASER OF THE PRODUCT SELLS OR TRANSFERS THE PRODUCT, WHICHEVER FIRST OCCURS AND IN NO EVENT SHALL AIR KING'S LIABILITY UNDER ANY EXPRESS OR IMPLIED WARRANTY INCLUDE (I) INCIDENTAL OR CONSEQUENTIAL DAMAGES FROM ANY CAUSE WHATSOEVER, OR (II) REPLACEMENT OR REPAIR OF ANY HOUSE FUSES, CIRCUIT BREAKERS OR RECEPTACLES. NOTWITHSTANDING ANYTHING TO THE CONTRARY, IN NO EVENT SHALL AIR KING'S LIABILITY UNDER ANY EXPRESS OR IMPLIED WARRANTY EXCEED THE PURCHASE PRICE OF THE PRODUCT AND ANY SUCH LIABILITY SHALL TERMINATE UPON THE EXPIRATION OF THE WARRANTY PERIOD.**

Some states and provinces do not allow limitations on how long an implied warranty lasts, or the exclusion or limitation of incidental or consequential damages, so these exclusions or limitations may not apply to you. This warranty gives you specific legal rights. You may also have other rights which vary from state to state and province to province. Proof of purchase is required before a warranty claim will be accepted.

## CUSTOMER SERVICE:

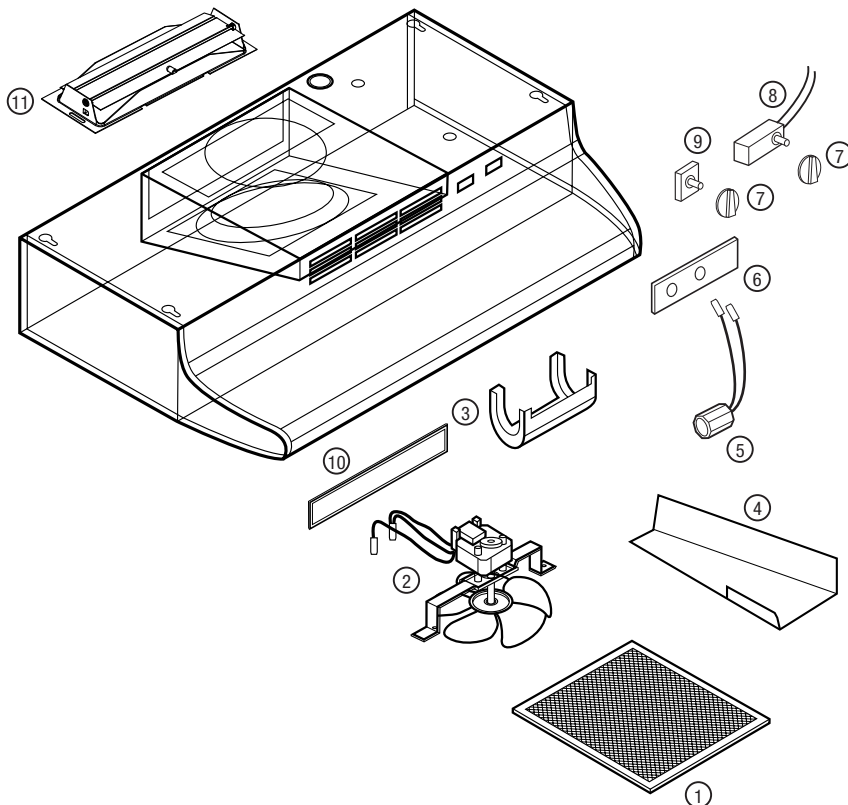
Toll-Free (800) 465-7300

Our Customer Service team is available to assist you with product questions, service center locations, and replacement parts. They can be reached Monday through Friday, 8am-4pm Eastern. Please have your model number available, as well as the type and style (located on the label inside of your product).

Please do not return product to place of purchase.

[www.airkinglimited.com](http://www.airkinglimited.com)

**PARTS FOR DISCONTINUED, OBSOLETE AND CERTAIN OTHER PRODUCTS MAY NOT BE AVAILABLE. DUE TO SAFETY REASONS, MANY ELECTRONIC COMPONENTS AND MOST HEATER COMPONENTS ARE NOT AVAILABLE TO CONSUMERS FOR INSTALLATION OR REPLACEMENT.**



#	Qty.	Description	Replacement Part #
1	1	Filter RF35	5S4199011
	-	Filter RF55	5S1199081
2	1	Motor Assembly	5S1210101
3	1	Light Lens	5S4199004
4	1	Wire Compartment Cover	5S4199005
5	1	Lamp Holder	5S4199006
6	1	Switch Plate - White	5S1422003
		Biscuit	5S1422004
		Almond	5S1422005
		Black	5S1422006
7	1	Knobs - White	5S1420003
		Biscuit	5S1420004
		Almond	5S1420005
		Black	5S1420006
8	1	Speed Control	5S4199017
9	1	Light Switch	5S4199018
10	1	Louver Plate - White	5S1429003
		Biscuit	5S1429004
		Almond	5S1429005
		Black	5S1429006
11	1	Damper Assembly	5S1199080

Installer: \_\_\_\_\_

Installation Date: \_\_\_\_\_

Place of Purchase: \_\_\_\_\_

Model Number: \_\_\_\_\_



# INSTRUCCIONES IMPORTANTES – MANUAL DE OPERACIÓN

Séries DS

**Air King**  
Ventilation Products®

Hotte de cuisinière



## LIRE ET CONSERVER CES INSTRUCTIONS

LIRE SOIGNEUSEMENT AVANT DE TENTER D'ASSEMBLER, INSTALLER, OPÉRER OU DE RÉPARER LE PRODUIT DÉCRIT. PROTÉGEZ VOUS-MÊME ET LES AUTRES EN OBSERVANT TOUTE L'INFORMATION DE SÉCURITÉ. FAILLIR À SE CONFORMER AUX INSTRUCTIONS PEUT RÉSULTER EN BLESSURE PERSONNELLE GRAVE ET/OU EN DOMMAGE À LA PROPRIÉTÉ.

CONSERVER CES INSTRUCTIONS POUR RÉFÉRENCES FUTURES.



## INSTRUCTIONS GÉNÉRALES DE SÉCURITÉ

Lors de l'utilisation d'appareils électriques, des précautions de base doivent toujours être suivies pour réduire les risques d'incendie, de choc électrique et de blessures corporelles, incluant ce qui suit:



**AVERTISSEMENT : POUR RÉDUIRE LES RISQUES D'INCENDIE, DE CHOC ÉLECTRIQUE OU DE BLESSURES PERSONNELLES OBSERVER CE QUI SUIT:**

- Utiliser cette unité seulement de la manière pour laquelle le fabricant l'a conçu. Si vous aviez des questions, veuillez contacter le fabricant.
- Avant d'effectuer un service ou de nettoyer l'unité, couper l'alimentation électrique dans le panneau de distribution et verrouiller le dispositif de déconnexion afin d'éviter que l'alimentation ne revienne accidentellement. Lorsque le dispositif ne peut être verrouillé, fixer solidement un avis d'avertissement, tel qu'une étiquette, au panneau de distribution.



**AVERTISSEMENT : POUR RÉDUIRE LES RISQUES D'INCENDIE, DE CHOC ÉLECTRIQUE OU DE BLESSURES PERSONNELLES OBSERVER CE QUI SUIT:**

- Le travail d'installation et le câblage électrique doivent être effectués par une(des) personne(s) qualifiée(s) en conformité avec tous les codes et normes applicables, incluant la construction relative aux incendies.
- De l'air en quantité suffisante est requis pour la bonne combustion et l'évacuation de gaz par le conduit (cheminée) provenant d'équipement de brûlage au combustible pour prévenir un refoulement. Suivre les directives du fabricant de l'équipement de chauffage et les normes de sécurité telles que celles publiées par la National Fire Protection Association (NFPA) et de la American Society for Heating, Refrigeration, and Air Conditioning Engineers (ASHRAE), et de celles des autorités locales du code.
- Lorsque vous coupez ou percez un mur ou un plafond, prenez garde de ne pas endommager les fils électriques ou tout appareil qui pourrait être dissimulé.



**AVERTISSEMENT : POUR RÉDUIRE LES RISQUES D'INCENDIE ET POUR ÉVACUER L'AIR ADÉQUATEMENT, ASSUREZ-VOUS D'ÉVACUER L'AIR VERS L'EXTÉRIEUR – NE PAS ÉVACUER L'AIR DANS DES ESPACES DANS LES MURS, LES PLAFONDS OU LES GRENIERS, LES GALERIES TECHNIQUES OU LES GARAGES.**



**AVERTISSEMENT : POUR USAGE DE VENTILATION GÉNÉRALE EXCLUSIVEMENT. NE PAS UTILISER POUR ÉVACUER DU MATÉRIEL ET DES VAPEURS DANGEREUSES OU EXPLOSIVES.**

- Les ventilateurs avec conduits doivent toujours être évacués vers l'extérieur.
- Cette unité doit être mise à la terre.
- Pour éviter des dommages aux roulements des moteurs et/ou des hélices bruyantes ou déséquilibrées, empêcher la poussière de cloison sèche, poussière de construction, etc., d'atteindre l'unité de puissance.
- Lire toutes les instructions avant d'installer ou d'utiliser la hotte de cuisine.



**AVERTISSEMENT : POUR RÉDUIRE LES RISQUES D'INCENDIE OU DE CHOC ÉLECTRIQUE, NE PAS UTILISER CE VENTILATEUR AVEC UN RÉGULATEUR DE VITESSE ÉLECTRONIQUE.**



**AVERTISSEMENT : POUR RÉDUIRE LES RISQUES D'INCENDIE DE GRAISSE SUR LE DESSUS DE LA CUISINIÈRE:**

- Ne jamais laisser les unités de surface à des degrés élevés sans surveillance. Les débordements par bouillonnement produisent de la fumée et des débordements graisseux qui peuvent s'enflammer. Chauffer les huiles lentement à des degrés faibles ou modérés.
- Toujours mettre la hotte EN MARCHE lors de cuisson à haute température ou lors de flambage de nourriture (par ex., des Crêpes Suzette, de Cerises Jubiléées, steak flambé, etc.)
- Nettoyer les ventilateurs d'évacuation fréquemment. Aucune accumulation de graisse ne devrait être tolérée sur les filtres du ventilateur.
- Utiliser des poêlons de taille appropriée. Toujours utiliser les batteries de cuisine appropriées pour la taille de l'élément de surface.



**AVERTISSEMENT : POUR RÉDUIRE LES RISQUES DE BLESSURES PERSONNELLES DANS L'ÉVENTUALITÉ D'UN FEU DE GRAISSE SUR LA SURFACE DE CUISSON, SUIVRE LES INDICATIONS SUIVANTES:**

- ÉTOUFFER LES FLAMMES avec un couvercle bien ajusté, une tôle à biscuits, ou un cabaret de métal, puis, mettre le gril hors fonction. PRENEZ SOIN D'ÉVITER LES BRÛLURES. Si les flammes ne s'éteignent pas immédiatement, ÉVACUER ET APPELER LE SERVICE DES INCENDIES.
- NE JAMAIS SAISIR UN POÊLON EN FLAMME – vous pourriez être brûlé.
- NE PAS UTILISER DE L'EAU, incluant les linges à vaisselle ou les serviettes mouillées – il en résulterait une violente explosion de vapeur.
- Utiliser un extincteur SEULEMENT SI:
  - Vous savez que vous avez un extincteur de classe ABC, et que vous savez déjà comment l'opérer.
  - Le feu est petit et contenu dans la zone où il a commencé.
  - On appelle le service des incendies.
  - Vous pouvez combattre l'incendie avec une sortie derrière vous.



**AVERTISSEMENT : POUR RÉDUIRE LES RISQUES D'INCENDIE, UTILISER UNIQUEMENT DES CONDUITS EN MÉTAL.**

## CONSERVER CES INSTRUCTIONS

# INSTRUCTIONS D'INSTALLATION



**MISE EN GARDE : ASSUREZ-VOUS QUE L'ALIMENTATION ÉLECTRIQUE EST COUPÉE À PARTIR DU PANNEAU DE DISTRIBUTION AVANT DE COMMENCER L'INSTALLATION.**

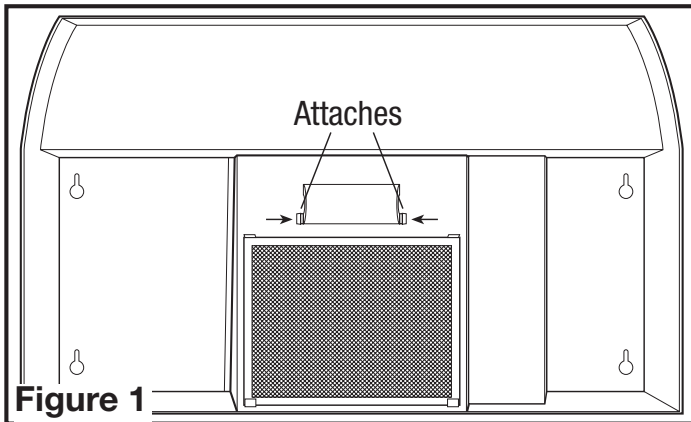
## SECTION 1

### Préparation de la hotte de cuisinière

- Sortez la hotte de l'emballage et assurez-vous d'avoir toutes les pièces. En plus de la hotte, vous devriez avoir :
  - 1 - Filtre à graisse en aluminium
  - 1 - Clapet de 8,25 x 25,4 cm (3-1/4 po x 10 po)
  - 3 - Vis de montage de clapet
  - 4 - Vis de montage #8
  - 1 - Couvercle du compartiment de câblage et vis
  - 1 - Feuille d'instructions/ sécurité

**REMARQUE :** Certaines hottes peuvent être expédiées avec un plastique protecteur collé sur la hotte. Il est recommandé de la laisser en place durant l'installation pour protéger la hotte contre les égratignures. L'enlever lorsque l'installation sera complétée.

- Déposez la hotte à plat sur la table de manière à ce que la partie inférieure soit face à vous. Placez un morceau de carton en dessous afin d'éviter d'endommager la table ou la hotte.
- Enlever le couvercle de lampe en pressant les deux onglets ensemble (**Figure 1**):

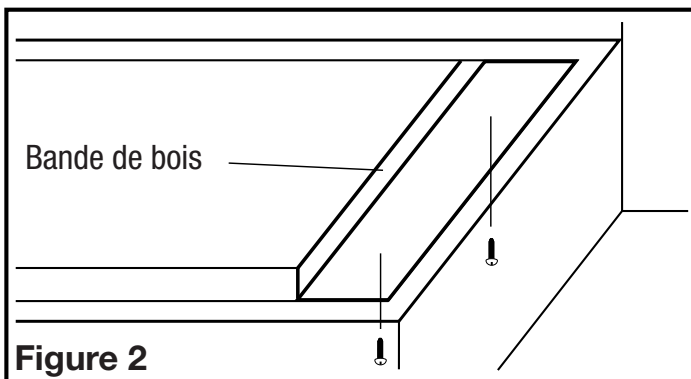


- Installer une ampoule de type A19 d'un maximum de 60 watts et réinstaller le couvercle de lampe.

## SECTION 2

### Préparez l'emplacement du support de la hotte.

- Pour installer la hotte sous des armoires dont la base est en retrait, il faut d'abord installer des bandes de fixation en bois (non comprises) afin que la hotte soit fixée convenablement (**Figure 2**).

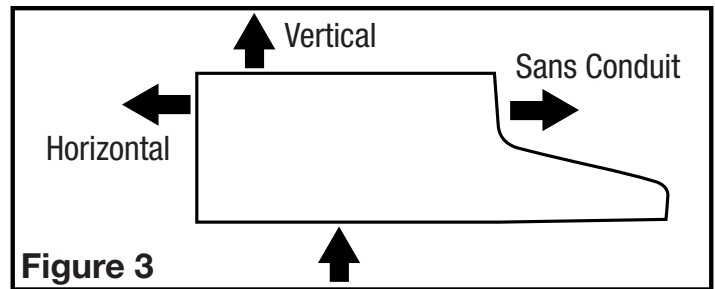


- L'épaisseur des bandes doit correspondre au retrait de l'armoire et doit avoir une largeur d'environ 5 cm.
- Posez les bandes à l'aide de vis à bois (non comprises) de longueur appropriée. Assurez-vous que les bandes sont alignées aux encoches en trou de serrure de la hotte.

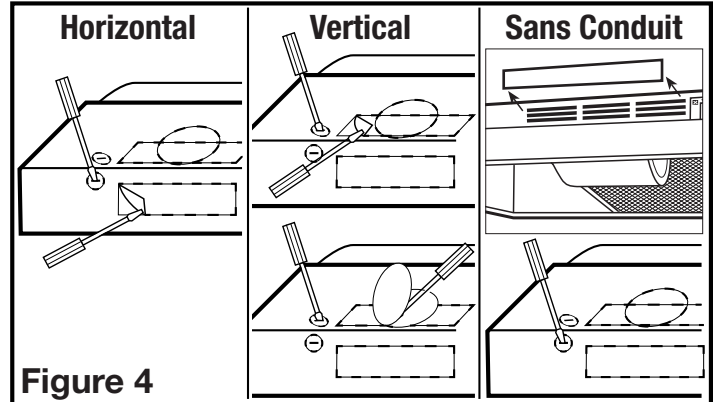
## SECTION 3

### Préparez la hotte pour l'installation

- Choisir le type de conduits qui sera requis. Ce modèle est équipé pour souffler tant verticalement qu'horizontalement dans un conduit de 8,25 x 25,4 cm (3-1/4 po x 10 po). Il peut être modifié pour devenir sans conduit (recirculation de l'air dans la cuisine) avec l'addition d'un filtre combiné graisse/ charbon modèle RF55 (non inclus) ou soufflé au travers d'un conduit rond de 17,78 cm (7 po) avec l'addition d'un clapet modèle E-22a ou RDC7 (non inclus) (**Figure 3**).



- Horizontal ou Vertical** - Enlever l'alvéole défonçable en insérant un tournevis sous le contour et casser les attaches qui le retiennent en place. Peler avec des pinces (**Figure 4**).



- Sans Conduit** - enlever le cache persienne, exposant les fentes à air à l'avant. Pour enlever les persiennes glisser vers un côté et soulever le flanc arrière. Ne pas utiliser de tournevis ou autre objet qui pourrait endommager la hotte (**Figure 4**).
- Rond de 17,78 cm (7 po)** - enlever l'alvéole défonçable située sur le dessus de la hotte en insérant un tournevis sous le rebord et briser les attaches qui la maintiennent en place. Peler avec des pinces (**Figure 4**).
- Déterminer où le service électrique entrera dans la hotte et enlever les alvéoles défonçables électriques appropriées en insérant un tournevis dans la fente et en le repliant vers l'avant et l'arrière jusqu'à ce que les alvéoles deviennent lâches (**Figure 4**).

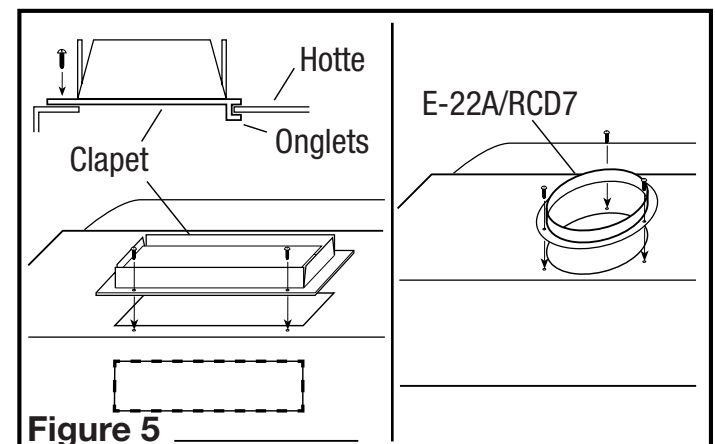
## SECTION 4

### Installation de la hotte



**MISE EN GARDE : ASSUREZ-VOUS QUE L'ALIMENTATION ÉLECTRIQUE EST COUPÉE À PARTIR DU PANNEAU DE DISTRIBUTION AVANT DE COMMENCER L'INSTALLATION.**

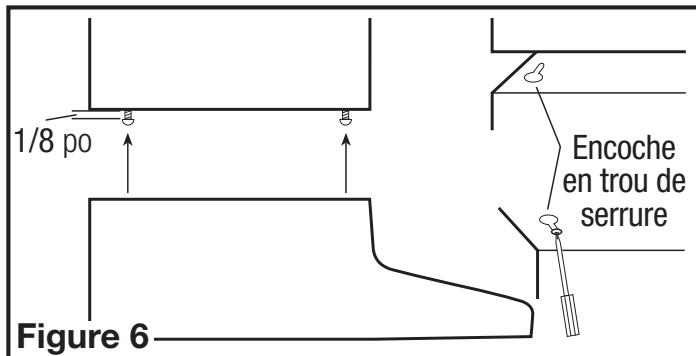
- Une fois que la (les) bonne(s) alvéole(s) a(ont) été enlevée(s), au choix, tenir la hotte à l'emplacement d'installation et marquer les endroits appropriés des trous pour les conduits (si applicable), l'électricité et de montage ou encore, marquer les emplacements en les mesurant.
- Couper les trous appropriés pour le raccordement des conduits (si applicable) et électrique dans le mur/ l'armoire.
- Pour un conduit vertical ou horizontal de 8,25 x 25,4 cm (3-1/4 po x 10 po), installer l'assemblage de clapet à la hotte en glissant la section à onglets du clapet sous le corps de la hotte et en vissant les deux vis fournies. Pour un conduit rond de 17,78 cm (7 po), fixer soit un clapet modèle E-22a ou RCD7 (non inclus) à la hotte avec les 3 vis fournies. À l'aide de ruban adhésif approuvé, appliquez autour du col pour sceller les fuites d'air (**Figure 5**).



- Installer un connecteur de filage approuvé à l'alvéole pour l'électricité de la hotte et guider les câbles électriques au travers de la hotte, en laissant au moins 15,24 cm (6 po) de fil pour le raccordement puis serrer.

**REMARQUE :** Si installation dans une construction existante et que vous n'aurez pas accès aux conduits une fois que la hotte sera en place, faire les raccords des conduits à ce point. Référez-vous à la section des Conduits pour les instructions.

5. Installer les 4 vis de montage aux endroits marqués précédemment. Laisser un dégagement d'environ 0,33 cm (1/8 po). Glisser la hotte en place au travers des trous en poire et aligner le devant de la hotte pour qu'il soit à effleurement avec le devant des armoires. Visser fermement toutes les vis (**Figure 6**).



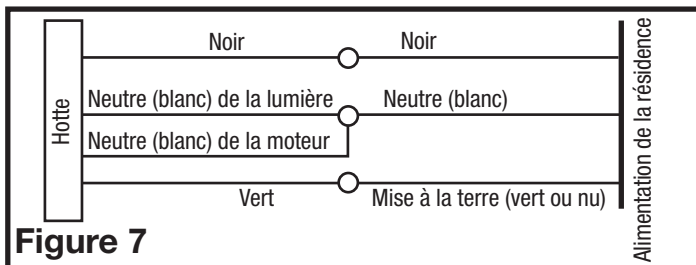
**MISE EN GARDE :** NE PAS INSTALLER À MOINS DE 22 POUÇES AU-DESSUS LA SURFACE DE CUISSON.

## SECTION 5

### Câblage

**MISE EN GARDE :** TOUTES LES CONNEXIONS ÉLECTRIQUES DOIVENT ÊTRE CONFORMES AUX CODES DU BÂTIMENT LOCAUX, AUX RÉGLEMENTS LOCAUX OU AU CODE NATIONAL DE L'ÉLECTRICITÉ. SI LES MÉTHODES POUR INSTALLER DES CÂBLAGES ÉLECTRIQUES NE VOUS SONT PAS FAMILIÈRES, FAITES APPEL AUX SERVICES D'UN ÉLECTRICIEN QUALIFIÉ.

1. Connecter les deux fils lâches Blancs de la hotte de cuisine au fil Blanc de l'alimentation, et le fil lâche Noir de la hotte au fil Noir de l'alimentation. Connecter le fil de mise à la terre (vert ou dénudé) de l'alimentation à la vis verte de mise à la terre de la hotte. Utiliser des méthodes de connexion approuvées pour toutes les connexions (**Figure 7**).



**REMARQUE :** NE PAS déconnecter quelque fil qui ait déjà été serti avec un connecteur de fil à l'usine.

2. Placez le couvercle du compartiment de fils et serrez la vis. Assurez-vous que tous les fils sont placés de manière sécuritaire à l'intérieur du compartiment.

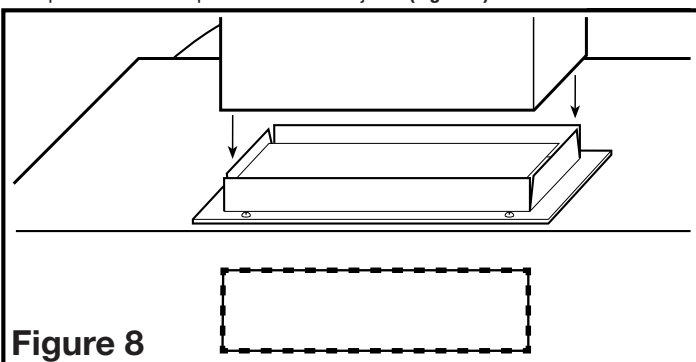
## SECTION 6

### Conduits

**MISE EN GARDE :** TOUS LES CONDUITS DOIVENT ÊTRE CONFORMES AUX CODES DU BÂTIMENT LOCAUX ET NATIONAUX.

**MISE EN GARDE :** POUR RÉDUIRE LES RISQUES D'INCENDIE, UTILISER UNIQUEMENT DES CONDUITS EN MÉTAL.

1. Raccorder les conduits au collet et au clapet de la hotte. Fixer en place en utilisant du ruban pour canalisations pour sceller tous les joints (**Figure 8**).

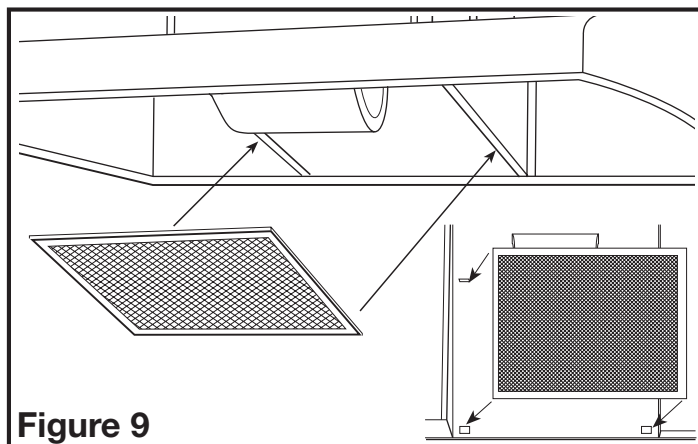


**MISE EN GARDE :** TOUJOURS PASSER LES CONDUITS DU VENTILATEUR VERS L'EXTÉRIEUR EN UTILISANT UN CAPUCHON MURAL OU DE TOIT.

## SECTION 7

### Finition de l'installation

1. Installer les filtres en ajustant le filtre dans le canal de la hotte et en le glissant vers l'arrière jusqu'à ce qu'il soit arrêté contre l'arrière de la hotte (**Figure 9**).



2. Mettre les interrupteurs en position « HORS (OFF) » et rétablir l'alimentation. Tester que la lampe et le ventilateur fonctionnent correctement.
3. S'il y a un bruit de vibration, recherchez-en la source et essayez de serrer les attaches ou d'ajuster le ruban pour canalisations pour faire un raccord ou un scellant plus serré.

## SECTION 8

### Opération

#### Contrôles

Votre Hotte de Cuisine est munie de deux interrupteurs rotatifs dont l'un commande l'éclairage et l'autre le ventilateur. L'interrupteur d'éclairage a trois positions HAUT (HIGH) (●), BAS (LOW) (◐), et ÉTEINT (OFF) (■). L'interrupteur du ventilateur est un contrôle infini de vitesse qui peut être ajusté au réglage désiré. Tourner l'interrupteur en sens antihoraire jusqu'à ce que vous sentiez un léger dé clic pour éteindre le ventilateur.

## SECTION 9

### Entretien

**MISE EN GARDE :** ASSUREZ-VOUS QUE L'ALIMENTATION ÉLECTRIQUE EST COUPEE À PARTIR DU PANNEAU DE DISTRIBUTION AVANT DE COMMENCER L'INSTALLATION.

#### Filtres

**Filtre à graisses** – Un filtre à graisses en aluminium est inclus avec votre hotte et il devrait être nettoyé dans l'eau chaude avec du détergent une fois par mois. Renvoyer les instructions dans la section «terminer l'installation» des instructions pour retirer le filtre. Si le filtre à graisses devient endommagé, le remplacer par un Filtre à graisses modèle GF-06S de Air King.

**Filtre anti-odeurs au charbon** – si vous avez installé un filtre combiné à graisse/ charbon, ils ne peuvent pas être lavés et doivent être jetés lorsqu'ils deviennent notablement sales, qu'ils aient cessé de filtrer les odeurs, ou au moins une fois par année. Remplacer avec un Filtre Combiné à Graisse / Odeur Modèle CF-06S de Air King.

#### Nettoyage

**MISE EN GARDE :** N'UTILISEZ PAS D'ESSENCE, DE BENZINE, DE DILUANT, DE PRODUITS D'ENTRETIEN PUISSANTS, ETC., PUISQU'ILS POURRAIENT ENDOMMAGER LA HOTTE.

1. Nettoyez la hotte avec du savon doux, comme du savon à vaisselle liquide, et un chiffon doux et sec. N'UTILISEZ JAMAIS DE TAMPON ABRASIF OU DE POUDRE À RÉCUPER. Essuyez complètement l'appareil avant de rétablir l'alimentation électrique. N'IMMERGEZ JAMAIS DE COMPOSANTS ÉLECTRIQUES DANS L'EAU.
2. Vous pouvez nettoyer les dépôts (saletés, peluches, etc.) qui se sont accumulés dans le ventilateur à l'aide d'un aspirateur. Comme le ventilateur est continuellement lubrifié, il n'est pas nécessaire de l'huiler.

#### RÉSIDENTS DE LA CALIFORNIE UNIQUEMENT :

**AVERTISSEMENT :** CE PRODUIT PEUT VOUS EXPOSER À UN PRODUIT CHIMIQUE [OU À DES PRODUITS CHIMIQUES] CONNU(S) PAR L'ÉTAT DE LA CALIFORNIE POUR CAUSER LE CANCER.

**AVERTISSEMENT :** CE PRODUIT PEUT VOUS EXPOSER À UN PRODUIT CHIMIQUE [OU À DES PRODUITS CHIMIQUES] CONNU(S) PAR L'ÉTAT DE LA CALIFORNIE POUR CAUSER LA TOXICITÉ ENVERS LES FONCTIONS DE LA REPRODUCTION.

# Guide de dépannage

Trouble	Cause possible	Solution suggérée
1. La hotte ne fonctionne pas lorsque l'interrupteur est à EN (ON).	1a. Un fusible peut être grillé ou un disjoncteur peut être déclenché. 1b. Le câblage n'est pas raccordé correctement.	1a. Remplacer le fusible ou réinitialiser le disjoncteur. 1b. Couper l'alimentation de l'unité. Vérifier que tous les fils sont raccordés.
2. La hotte fonctionne, mais l'air circule plus lentement que la normale.	2. Obstruction dans les conduits d'évacuation.	2. Vérifier pour quelque obstruction dans les conduits incluant le filtre.
3. La hotte produit un son de crécelle.	3a. Le moteur est lâche. 3b. Le raccord des conduits est lâche.	3a. Couper l'alimentation de l'unité. Retirer le filtre, vérifier que toutes les vis sont serrées complètement. 3b. Couper l'alimentation de l'unité. Vérifier que tous les raccords des conduits sont bien serrés.

## GARANTIE LIMITÉE

**CE QUE COUVRE CETTE GARANTIE :** Ce produit est garanti contre tout vice de fabrication ou de matière.

**COMBIEN DE TEMPS CETTE GARANTIE DURE :** Cette garantie se rapporte seulement à l'acheteur original du produit et dure pendant une (1) année de la date de l'achat original ou jusqu'à ce que l'acheteur original du produit vend ou transfère le produit, celui qui se produit en premier.

**QUE FERA AIR KING :** Au cours de la période de garantie, Air King, à son choix, réparera ou remplacera n'importe quelle partie ou pièces qui s'avèrent défectueuses ou remplacera le produit entier par le même modèle ou un modèle comparable.

**CE QUE CETTE GARANTIE NE COUVRE PAS :** Cette garantie ne s'applique pas si le produit était endommagé ou arrêté de fonctionner en raison d'un accident, d'une mauvaise manipulation ou opération, de dommages d'expédition, d'abus, de mauvaise utilisation, de réparation faite ou tentées non autorisées. Cette garantie ne couvre pas les coûts d'expédition pour le retour des produits à Air King pour la réparation ou le remplacement. Air King payera les frais d'expédition de retour de Air King après les réparations ou le remplacement de garantie.

**TOUTES LES GARANTIES, EXPRESSES OU TACITES (COMPRENANT, SANS LIMITATION, TOUTE GARANTIE TACITE DE VALEUR MARCHANDE), DURENT UN AN DE LA DATE DE L'ACHAT ORIGINAL OU JUSQU'À CE QUE L'ACHETEUR ORIGINAL DU PRODUIT VEND OU TRANSFÈRE LE PRODUIT, CELUI QUI SE PRODUIT EN PREMIER ET DANS AUCUN CAS AIR KING N'ASSUME AUCUNE RESPONSABILITÉ EXPRESSE OU TACITE POUR (I) DES DOMMAGES ACCIDENTELS OU INDIRECTS DE N'IMPORTE QUELLE CAUSE, OU (II) LE REMPLACEMENT OU LA RÉPARATION DE TOUS FUSIBLES, DISJONCTEURS OU RÉCEPTACLES DE MAISON. MALGRÉ N'IMPORTE QUOI À L'EFFET CONTRAIRE, DANS AUCUN CAS LA RESPONSABILITÉ D'AIR KING, SOUS UNE GARANTIE EXPRESSE OU TACITE, NE DÉPASSERA LE PRIX D'ACHAT DU PRODUIT ET UNE TELLE RESPONSABILITÉ SE TERMINERA AVEC L'EXPIRATION DE LA PÉRIODE DE GARANTIE.**

Certains états et provinces ne permettent pas les limitations de la période de garantie, ou l'exclusion ou la restriction des dommages accidentels ou indirects, et, par conséquent, les présentes restrictions ne peuvent pas s'appliquer. La présente garantie vous donne des droits légaux spécifiques et peut-être certains autres droits qui peuvent varier selon la province. La preuve d'achat est exigée avant qu'une réclamation de garantie ne soit acceptée.

## SERVICE À LA CLIENTÈLE :

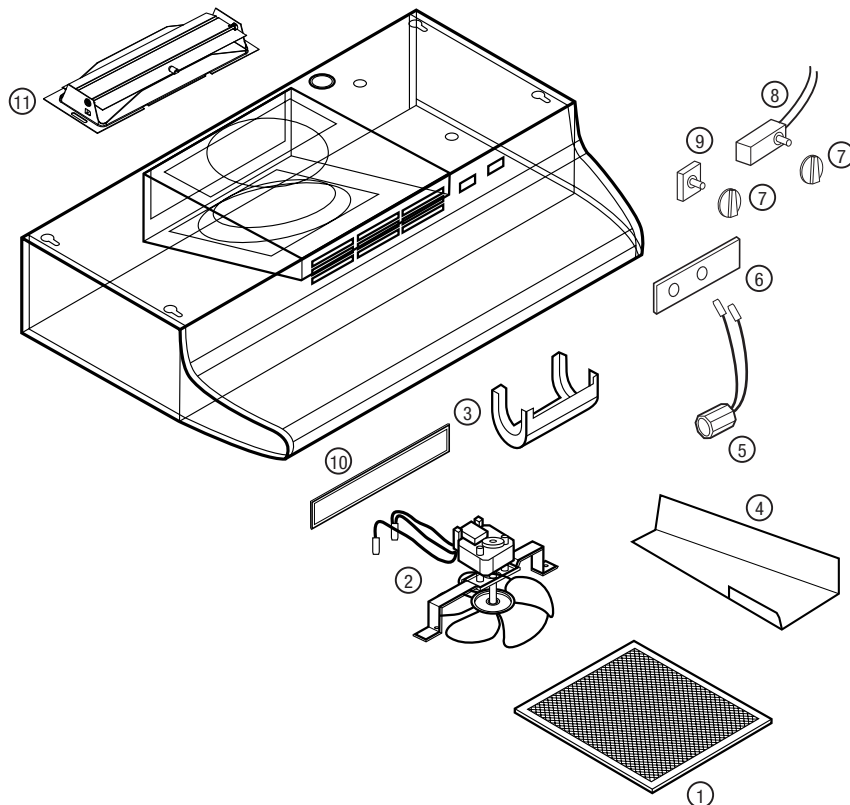
Sans frais (800) 465-7300

Notre équipe de service à la clientèle est disponible pour vous aider avec des questions sur le produit, les adresses des centres de service, et les pièces de rechange. Vous pouvez la rejoindre, du lundi au vendredi, de 8h:00 à 16h:00 HNE. Veuillez avoir le numéro du modèle disponible, ainsi que le genre et le style (qui se trouvent sur l'étiquette à l'intérieur de votre produit).

Veuillez ne pas renvoyer le produit à l'endroit de l'achat.

[www.airkinglimited.com](http://www.airkinglimited.com)

**IL SE PEUT QUE LES PIÈCES POUR LES PRODUITS DISCONTINUÉS, OBSOLETES ET AUTRES PRODUITS NE SOIENT PAS DISPONIBLES. POUR DES RAISONS DE SÛRETÉ, BEAUCOUP DE COMPOSANTS ÉLECTRONIQUES ET LA PLUPART DES COMPOSANTS DES CHAUFFAGES NE SONT PAS À LA DISPOSITION DES CONSOMMATEURS POUR L'INSTALLATION OU LE REMPLACEMENT.**



#	Qte.	Description	# de pièce de remplacement
1	1	Filtre RF35	5S4199011
	-	Filtre RF55	5S1199081
2	1	Assemblage de Moteur	5S1210101
3	1	Lentille de lumière	5S4199004
4	1	Couvercle de compartiment à câblage	5S4199005
5	1	Support à lampe	5S4199006
6	1	Plaque d'interrupteur - Blanc	5S1422003
		Biscuit	5S1422004
		Amande	5S1422005
		Noir	5S1422006
7	1	Boutons - Blanc	5S1420003
		Biscuit	5S1420004
		Amande	5S1420005
		Noir	5S1420006
8	1	Contrôle de Vitesse	5S4199017
9	1	Interrupteur de lumière	5S4199018
10	1	Plaque de persienne - Blanc	5S1429003
		Biscuit	5S1429004
		Amande	5S1429005
		Noir	5S1429006
11	1	Assemblage de adaptateur	5S1199080

Installateur : \_\_\_\_\_ Date d'installation : \_\_\_\_\_

Lieu de l'achat : \_\_\_\_\_ Numéro de modèle : \_\_\_\_\_