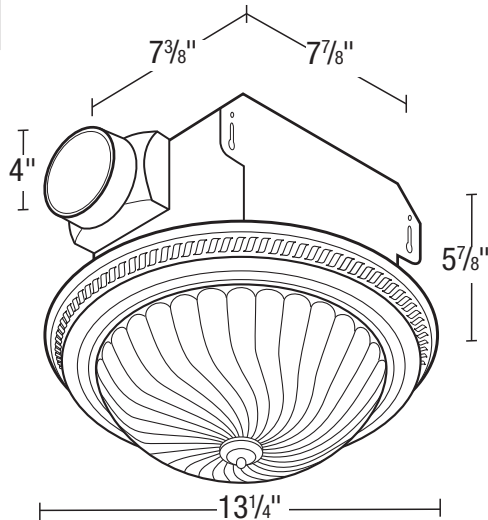




**SPECIFICATIONS**  
**DRLC70**  
 EXHAUST FAN WITH LIGHT

**HVI** 2100  
**CERTIFIED** 70 CFM/4.0 Sones @ 0.10" SP.

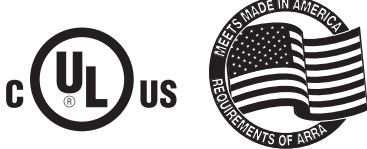
- **Grill**  
 DRLC701 - Oil Rubbed Bronze Finish: 13<sup>1</sup>/<sub>4</sub>" diameter.  
 DRLC702 - Nickel Finish: 13<sup>1</sup>/<sub>4</sub>" diameter.  
 DRLC703 - White Finish: 13<sup>1</sup>/<sub>4</sub>" diameter.
- **Light Lens**  
 Ribbed frosted glass light lens.
- **Light Housing**  
 Heavy gauge cold rolled steel c/w baked enamel finish; locks in place on the grill via two integral tabs.
- **Blower Wheel**  
 One piece polymeric wheel, 4<sup>1</sup>/<sub>2</sub>" diameter, 1" wide, with 10 fins.
- **Motor**  
 Single coil plug-in, two pole motor, life time lubrication, thermally protected. Rated 120 volts, 60 Hz., 1.6 amps.
- **Fan Housing**  
 23 ga. Galvanized metal housing, dimensions 7<sup>3</sup>/<sub>8</sub>" x 7<sup>5</sup>/<sub>8</sub>" x 5<sup>7</sup>/<sub>8</sub>", double metal thickness mounting tabs.
- **Duct Collar**  
 Plastic collar for 4" duct connection, comes complete with built in non-metallic back draft damper for quiet operation.
- **Ventilating Area**  
 For bathrooms up to 65 sq. ft. for other rooms up to 85 sq. ft.
- **Lighting**  
 2 - 26W medium base fluorescent lamps (2-60W type A19 incandescent bulbs can also be used) (lamps not included)



- **Unit Mounting**  
 Rated Type IC for ceilings insulated to R-40. Designed to mount in ceilings with at least 6" of clearance. The unit will mount directly to the joist with a rough in opening of 7<sup>5</sup>/<sub>8</sub>" x 7<sup>7</sup>/<sub>8</sub>". The housing will mount through drywall thickness up to 3/4".
- **Single Pack Shipping Info**  
 Box Dim: 11<sup>1</sup>/<sub>2</sub>" x 13<sup>1</sup>/<sub>4</sub>" x 9<sup>1</sup>/<sub>2</sub>"

<b>EXPANDED PERFORMANCE</b>											
	<i>Static Pressure (inches of w.g.)</i>							<i>Sones @ .1 SP</i>	<i>Fan Speed RPM</i>	<i>Maximum Fan Watts</i>	<i>Amps</i>
	0	0.05	0.1	0.125	0.15	0.2	0.25				
<b>Air Flow - CFM</b>	77	73	70	69	68	66	64	4.0	1725	44.0	1.6

<b>PROJECT</b>				<b>ARCHITECT</b>					
<b>LOCATION</b>				<b>ENGINEER</b>					
<b>CONTRACTOR</b>				<b>SUBMITTED BY</b>			<b>DATE</b>		
FAN NUMBER	MODEL NUMBER	CFM	IN W.G.	RPM	WATTS	AMPS	SONES	QTY	OPTIONAL EQUIPMENT & REMARKS



**U.S.:** 820 Lincoln Avenue  
 West Chester, Pennsylvania 19380-4466  
 Tel: (610) 692-7400 • 877-304-3785  
 Fax: (610) 696-8048

**Canada:**  
 Brampton, Ontario  
 Tel: 905-456-2033  
 Fax: (905) 456-1015