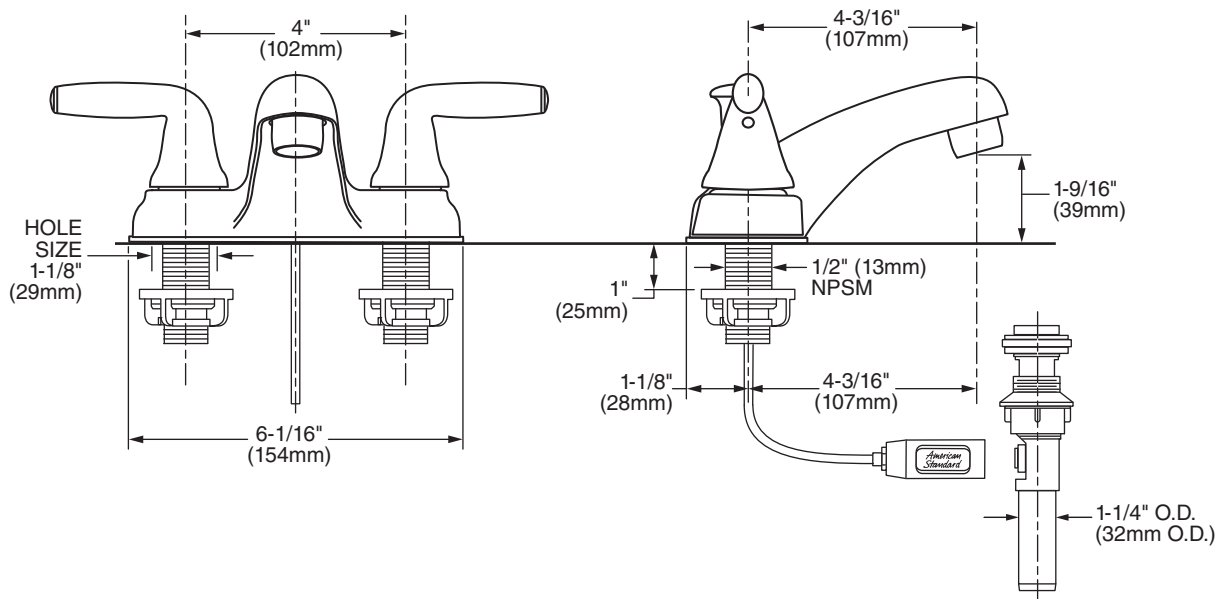


### MODEL NUMBER:

- **9316.200 Centerset Lavatory Faucet**  
Non-metallic Speed Connect™ Pop-up drain.  
Metal Lever Handles..



### GENERAL DESCRIPTION:

Centerset lavatory faucet on 4" centers. 1/4 turn washerless ceramic disc valve cartridges. Durable cast brass waterways with one-half inch male inlet shanks. Metal body. Color matched underbody. Metal lever handles. 20" (500mm) long flexible stainless steel drain cable is pre-assembled to faucet body. Non-Metallic Speed Connect™ drain body with 1-1/4 inch (32mm) tail piece. 1.5 gpm/5.7L/min. maximum flow rate.

### PRODUCT FEATURES:

**Cast Brass Waterways with "City Shanks":** Strong and durable. Integral tabs on casting provide a wobble-free installation.

**Ceramic Disc Valve Cartridges:** Assures a lifetime of drip-free performance.

**Lead Free:** Faucet contains ≤ 0.25% total lead content by weighted average.

**Longer Spout:** Provides extended reach into lavatory.

#### Speed Connect® Drain:

- 1/3 the parts, installs in 1/3 the time.
- No tools or plumbers putty required for installation.
- No adjustments required - seals the first time, every time.
- Flexible stainless steel cable - installs effortlessly in tight spaces.

**Simple Installation:** Fast and easy one person installation. Faucet drops in from top. Quick spin nuts secure faucet in place.

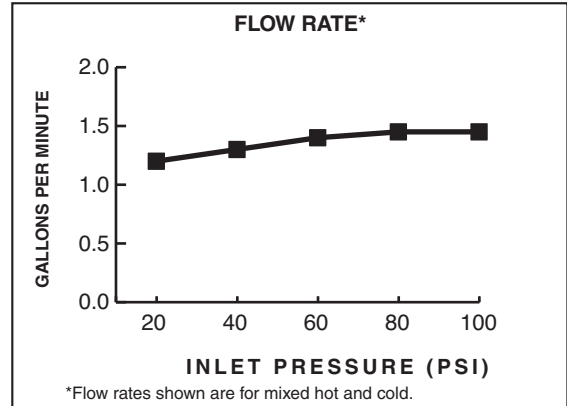
### SUGGESTED SPECIFICATION:

Two-handle 4" centerset lavatory faucet shall feature a cast brass waterway. Shall also feature 1/4 turn washerless ceramic disc valve cartridges. Shall also feature a drain body with stainless steel cable actuation. Fitting shall be American Standard Model # 9316.200.\_\_\_\_.


**CODES AND STANDARDS**

These products meet or exceed the following codes and standards:

- ANSI A117.1**
- ASME A112.18.1**
- CSA B125**
- NSF 61/Section 9 & Annex G**



Product Number	Description	Finish Options	
		Polished Chrome	PVD Satin Nickel
		002	295
9316.200	Centerset lavatory. Non-Metallic Speed Connect™ Pop-up drain.		

 Meets the American Disabilities Act Guidelines and **ANSI A117.1** Requirements for the physically challenged.