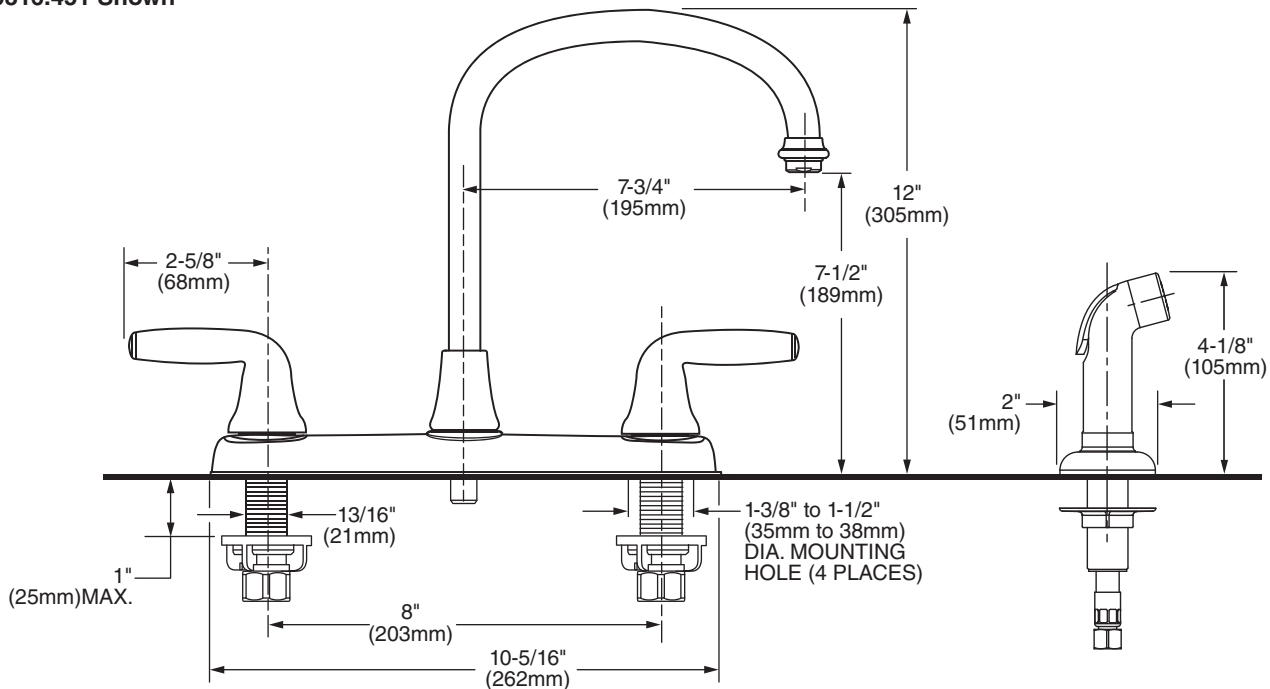




9316.451 Shown

MODEL NUMBER:

- 9316.451.002 Kitchen Faucet**
Metal lever handles. Separate color-matched handspray. Polished Chrome finish.
- 9316.451.075 Kitchen Faucet**
Metal lever handles. Separate color-matched handspray. Stainless Steel (PVD) finish.
- 9316.450.002 Kitchen Faucet**
Metal lever handles. Less handspray. Polished Chrome finish.



GENERAL DESCRIPTION:

Durable brass construction. 1/4 turn washerless ceramic disc valve cartridges. Durable cast brass waterway with 1/2" male inlet shanks. Brass gooseneck swivel spout and lever handles. Metal escutcheon plate (escutcheon size 10-5/16"L x 2-3/8"W). 1.8gpm/6.8L/min. maximum flow rate.

PRODUCT FEATURES:

Ceramic Disc Valve Cartridges: Assures a lifetime of drip-free performance.

Cast Brass Waterways with "City Shanks": Strong and durable. Integral tabs on casting provide a wobble-free installation.

Lead Free: Faucet contains ≤ 0.25% total lead content by weighted average.

Simple Installation: Fast and easy one person installation. Faucet drops in from top. Quick spin nuts secure faucet in place.

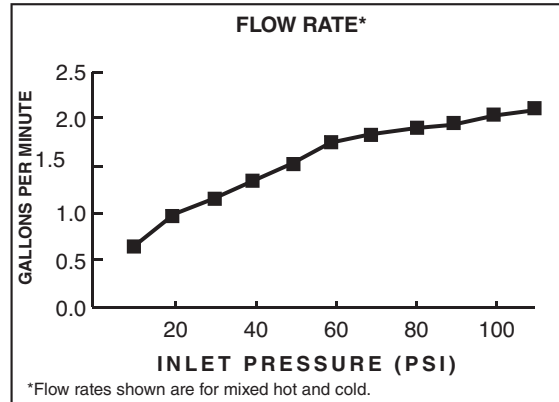
SUGGESTED SPECIFICATION:

Two handle kitchen faucet shall feature brass construction with all brass inlet shanks and coupling nuts. Brass gooseneck swivel spout. Shall also feature 1/4 turn washerless ceramic disc valve cartridges that are reversible for use on either "hot" or "cold" side. Faucet shall be American Standard Model # 9316.451.____, Model # 9316.450.002.


CODES AND STANDARDS

These products meet or exceed the following codes and standards:

- ASME A112.18.1**
- CSA B 125**
- NSF 61/Section 9 & Annex G**
- ANSI A117.1**



Product Number	Description
9316.451.002	Kitchen faucet. Metal lever handle. Separate color-matched handspray. Polished Chrome finish.
9316.451.075	Kitchen faucet. Metal lever handle. Separate color-matched handspray. Stainless Steel (PVD) finish.
9316.450.002	Kitchen faucet. Metal lever handle. Less handspray. Polished Chrome finish.

 Meets the American Disabilities Act Guidelines and **ANSI A117.1** Requirements for the physically challenged.