



# 2014-15 MASTER PARTS CATALOG



# GOOD ENGINE HEALTH



Engine Parts

Engine Accessories

Retail Parts & Accessories

Engines

Service Tools

Power Products Parts

Murray® Parts

Dealer Merchandise

Reference

- ENGINE PARTS & ACCESSORIES
- RETAIL PARTS & ACCESSORIES
- ENGINES
- SERVICE TOOLS
- POWER PRODUCTS PARTS
- MURRAY® PARTS
- DEALER MERCHANDISE
- REFERENCE

# Healthy Engines Start Here!



- **Ethanol free fuel**
- **Stays fresh for up to 2 years**
- **Helps engines run smoother and perform better**
- **For everyday use**

# COMPLETE 5-IN-1 PROTECTION FROM THE SMALL ENGINE EXPERTS.

- PROPRIETARY TRIPLE ANTIOXIDANT FORMULA
- CORROSION INHIBITOR TO GUARD METAL ENGINE PARTS
- METAL DE-ACTIVATOR STOPS CHEMICAL REACTIONS
- DETERGENT INGREDIENTS PREVENT GUM & VARNISH BUILD-UP
- WATER PROTECTION INHIBITORS PROTECT AGAINST THE HARMFUL EFFECTS OF WATER IN FUEL DUE TO ETHANOL



**FOR BETTER STARTS & LONGER LIFE**

**BRIGGS&STRATTON MASTER PARTS CATALOG**

Briggs & Stratton Corporation is the world's largest producer of gasoline engines for outdoor power equipment and has been providing power for consumers and professionals for over a century now.

Briggs & Stratton, through its subsidiary Briggs & Stratton Power Products Group, LLC, is also a leading designer, manufacturer and marketer of generators (portable and standby), pressure washers, snow throwers, lawn and garden equipment and related accessories. With that kind of market breadth, a strong service network is necessary to provide customers with the service they deserve.

The Briggs & Stratton Dealer Network provides this superior service and support. Our dealers represent the crucial human link between Briggs & Stratton and our end customers. With the increasingly important focus on the consumer, we need to make certain our dealers are equipped with the necessary tools to exceed consumer expectations.

This latest revised edition of Briggs & Stratton's Master Parts Catalog was developed as one of those essential tools, and is designed to help you find exactly what you're looking for quickly and easily. The catalog has been revised to be a functional resource for all of your part and accessory needs.

Inside, you'll find Briggs & Stratton's broad selection of genuine parts that make a Briggs & Stratton® engine run at its best. Additionally, the Dealer Merchandise section includes all of Briggs & Stratton's merchandising options to make your dealership stand out as a Briggs & Stratton dealer and also an efficient place to shop. Individuals interested in acquiring information regarding the Briggs & Stratton dealer programs should contact the Integrated Distributor (IDN) in their area ([See IDN map on page 17-13](#)).

Briggs & Stratton Dealers may log on to [www.ThePowerPortal.com](http://www.ThePowerPortal.com) for a wealth of information exclusively available to our business partners. The site saves you time and money by meeting your training needs. Also accessible through The Power Portal is the Custom Marketing program designed for you to easily market your products and services. If you do not have a current user name and password, please contact your IDN sales representative or call 1-800-480-9403.

All of us at Briggs & Stratton wish you the best of luck in your business and future sales. Thank you for your commitment to high quality parts and service!

# ii LEGEND

The icons used next to each part represent the packaging available for that part.

**EXAMPLE:**



Red Box - individually packaged part (most dealers stock)



Display Packaged Parts - displayed on the Briggs & Stratton Merchandise Displays, pg. 17-1



Shop Pack - multiple quantity packaged


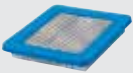



Mega Pack - bulk quantity packaged (The Mega Pack is marked individually, see below)

- Under each icon column is the part number of the packaged part.

**EXAMPLE:**



	<b>Air Filter Cartridge</b>	Intek™ V-Twin Engines, Uses 273638S Pre-Cleaner	499486S	5063 w/273638S Pre-cleaner	4223 Qty. 6
	<b>Air Filter Cartridge</b>	625-1575 Series™, 3.5-6.5 Gross HP† Quantum® Engines, Uses 491435S or 493537S Pre-cleaner	491588S	5043	 491588B Qty. 336

- The air filter cartridge in the normal Red Box Package is part number 499486S. It can also be ordered in the Display Parts Package under part number 5063. It can also be ordered in the Shop Pack Package under part number 4223 with a quantity of 6 filters in the box. Parts can be ordered in the Mega Pack Package if you see the mega pack icon in the last column as in the example above as part number 491588B with a quantity of 336 filters in the box.

If you would like to see a photograph of a Display Parts Package, refer to the Retail Parts & Accessories section, pg. 10-2.



† All power levels are stated gross HP per SAE J1940 as rated by Briggs & Stratton.

<b>Introduction</b> .....	i
<b>Legend</b> .....	ii
<b>Table of Contents</b> .....	iii, iv
<b>ENGINE PARTS</b>	
<b>Carburetion</b> .....	<b>1-1</b>
Air Filters - Foam.....	1-1
Air Filters – Cartridge.....	1-2
Pre-Cleaners.....	1-7
Diaphragms - Float Valves.....	1-10
Tube Pick-Up - Primer Bulbs - Needle Valves.....	1-12
Overhaul Kits – Carburetor.....	1-14
Snow Engine Choke Shafts.....	1-15
<b>Compression</b> .....	<b>2-1</b>
Piston Ring Set – Standard.....	2-1
Piston Ring Set – Chrome - Intake & Exhaust Valves.....	2-2
<b>Exhaust Systems</b> .....	<b>3-1</b>
Mufflers.....	3-1
Muffler Deflectors – Spark Arresters.....	3-4
<b>Fuel Systems</b> .....	<b>4-1</b>
Fuel Filters – Line Clamps.....	4-1
Fuel Lines – Shut-Off Valves.....	4-2
Fuel Tank Caps.....	4-3
<b>Ignition Systems</b> .....	<b>5-1</b>
Armatures – Condensers – Breakers.....	5-1
Flywheel Keys – Spark Plugs.....	5-2
Spark Plug Elbows.....	5-3
Ignition Switches.....	5-4
<b>Internal Parts</b> .....	<b>6-1</b>
Connecting Rods.....	6-1
Air Cleaner Gaskets.....	6-2
Carburetor Bowl Gaskets.....	6-4
Carburetor to Cylinder Gaskets.....	6-5
Carburetor, Breather, and Head Gaskets.....	6-7
Oil Gard Gasket – Valve Cover Gaskets.....	6-10
Engine Gasket Sets.....	6-13
Overhaul Gasket Sets.....	6-14
<b>Lubrication</b> .....	<b>7-1</b>
Oil Seals.....	7-1
Oil Filters – Miscellaneous.....	7-2
<b>Starting Systems</b> .....	<b>8-1</b>
Starter – Miscellaneous.....	8-1
Recoil Pulleys - Recoil Springs.....	8-2
Starter Clutches - Starter Grips.....	8-3
Starter Rope, Individual & Bulk.....	8-4
<b>ENGINE ACCESSORIES</b> .....	<b>9-1</b>
Deflectors - Locknuts - Exhaust Elbows.....	9-1
Exhaust.....	9-2
Air Cleaners.....	9-25
Lubrication.....	9-26
Electric Starters.....	9-28
Miscellaneous.....	9-29
<b>RETAIL PARTS &amp; ACCESSORIES</b> .....	<b>10-1</b>
Batteries.....	10-1
Display Packs.....	10-2
Tune-Up Kits.....	10-8
Oil Removal Kits.....	10-9
Parts Cross Reference.....	10-10
Fuel Containers & Spout.....	10-11
Maintenance Care.....	11-1
Grease & Engine Oils.....	11-2
Water Hoses.....	11-3

# iv TABLE OF CONTENTS

<b>ENGINES</b> .....	<b>12-1</b>
Promo Engines.....	12-1
<b>SERVICE TOOLS</b> .....	<b>13-1</b>
Bearing (Main) Servicing.....	13-1
Cam Gear Bearing Servicing.....	13-2
Carburetor Servicing.....	13-3
Electrical Testing.....	13-4
Flywheel Holder/Puller.....	13-5
Ignition.....	13-6
Oil Seal - Outboard Servicing.....	13-7
Piston & Piston Rings Servicing.....	13-8
Pressure/Vacuum Testing.....	13-9
Speed – Size – Torque – Measuring.....	13-10
19300 Basic Tool Kit.....	13-12
Starters – Electric/Manual Rewind.....	13-13
Valve/Compression Servicing.....	13-14
Miscellaneous.....	13-19
<b>POWER PRODUCTS PARTS</b> .....	<b>14-1</b>
Generator Parts.....	14-1
Pressure Washer Accessories.....	14-2
Pressure Washer Parts.....	14-5
<b>MURRAY PARTS</b> .....	<b>15-1</b>
Belts.....	15-1
Blades.....	15-2
Mower/Tractor/Snow Thrower Parts.....	15-3
<b>DEALER MERCHANDISE</b> .....	<b>16-1</b>
Dealer Merchandise Displays.....	16-1
Signs, Banners, Flag.....	16-2
Counter Mats, Identity Items.....	16-3
Repair Forms & Supplies.....	16-5
<b>REFERENCE</b> .....	<b>17-1</b>
Engine Model Number Key.....	17-1
Quick Reference Chart.....	17-2
Literature/Reference Materials.....	17-12
IDN Network.....	17-13
Catalog Improvement Form.....	17-15

# AIR FILTERS - FOAM 1-1



	<b>Air Filter Foam Element</b>	2-5 Gross HP <sup>†</sup> Horizontal	27987S		4108 Qty. 5
	<b>Air Filter Foam Element</b>	3 & 3.5 Gross HP <sup>†</sup> Vertical	270579S	5099	4104 Qty. 5
	<b>Air Filter Foam Element</b>	Vertical Models 82500-92900 w/Automatic Choke	270251		
	<b>Air Filter Foam Element</b>	450-600 Series™, 4.5-6 Gross Torque <sup>‡</sup> , 3-3.75 Gross HP <sup>†</sup> Vertical Classic™ & Sprint™, 4 Gross HP <sup>†</sup> Quattro™	272235S	5047	4107 Qty. 6
	<b>Air Filter Foam Element</b>	4 Gross HP <sup>†</sup> (10 CID) Vertical	270067		
	<b>Air Filter Foam Element</b>	4 Gross HP <sup>†</sup> Vertical	270848		
	<b>Air Filter Foam Element</b>	5 Gross HP <sup>†</sup> Vertical	270447		
	<b>Air Filter Foam Element</b>	7 & 8 Gross HP <sup>†</sup> Vertical	270528S		4133 Qty. 4
	<b>Air Filter Foam Element</b>	7-14 Gross HP <sup>†</sup> (Early Style)	270093		
	<b>Air Filter Foam Element</b>	8-11.5 Gross HP <sup>†</sup> Vertical	272922		
	<b>Air Filter Foam Element</b>	10 & 11 Gross HP <sup>†</sup> Vertical	270843S		4134 Qty. 4

† All power levels are stated gross torque at 2600 rpm per SAE J1940.  
‡ All power levels are stated gross HP at 3600 rpm per SAE J1940.



# 1-2 AIR FILTERS - CARTRIDGE



	<b>Air Filter Foam Element</b>	450-600 Series™, 4.5-6 Gross Torque†, 3.5-4.5 Gross HP‡ Q™45, Classic™, Sprint™, Quattro™ Engines, w/plastic air cleaner housings	698369	5088+5099	4216 Qty. 6
	<b>Air Filter Foam Element</b>	6 Gross HP‡ Europa™ Vertical, 6 Gross HP‡ Vanguard™ Vertical, 7.5 Gross HP‡ Vanguard™ Horizontal	691315		
	<b>Air Filter Foam Element</b>	6.5-6.75 Gross HP‡ Quantum® Engines	794071		
	<b>Air Filter Foam Element</b>	675-875 Series™	797301	5433	4249 Qty. 5
	<b>Air Filter Foam Element</b>	550e-550ex Series™ with foam filter	799579	5434	4248 Qty. 5
	<b>Air Filter Foam Element</b>	Fource™	696923		
	<b>Air Filter Foam Element</b>	Horizontal 750 Series™	591717		
	<b>Air Filter Upgrade Kit</b>	Replaces all Briggs & Stratton® foam filters, 300-550 Series™, 3.0-5.5 Gross Torque†, Classic™, Sprint™, Quattro™, and Q™45 3-5 Gross HP‡ Engines		5099	
	<b>Air Filter Cartridge</b>	Europa™ (9 CID) OHV Vertical, Uses 273185S Pre-cleaner Quantum®, 12U, 12V, 12W800	497725S	5055 w/273185S Pre-cleaner	4197 Qty. 4
	<b>Air Filter Cartridge</b>	7 & 8 Gross HP‡ Vertical	393406		
	<b>Air Filter Cartridge</b>	7, 8 & 11 Gross HP‡ Horizontal, Uses 271939 Pre-cleaner	399968		
	<b>Air Filter Cartridge</b>	8.5, 10.5 & 11 Gross HP‡ Vertical Uses 272477S Pre-cleaner	691667	5075 w/273356S Pre-cleaner	4166 Qty. 5

# AIR FILTERS – CARTRIDGE 1-3

					
	<b>Air Filter Cartridge</b>	12.5-15 Gross HP <sup>†</sup> Vertical Uses 272403S Pre-cleaner	496894S	5053 w/273356S Pre- cleaner	4139 Qty. 4
	<b>Air Filter Cartridge</b>	L-Head Twin Vertical Uses 272490S Pre-Cleaner	394019S	5052 w/273356S Pre- cleaner	4136 Qty. 4
	<b>Air Filter Cartridge</b>	Intek™ 5.5-6.75 Gross HP <sup>†</sup> Engines, Uses 273356 Pre-Cleaner	697029	5059 w/273356S Pre- cleaner	4207 Qty. 4
	<b>Air Filter Cartridge</b>	475-525 Series™, 3.5-4 Gross HP <sup>†</sup> Engines	790166	5404	
	<b>Air Filter Cartridge</b>	2-5 Gross HP <sup>‡</sup> Horizontal & Vertical, Uses 271466 Pre-cleaner	392308S		
	<b>Air Filter Cartridge</b>	2-5 Gross HP <sup>‡</sup> Horizontal & Vertical, Uses 271466 Pre-cleaner	396424S		4137 Qty. 4
	<b>Air Filter Cartridge</b>	5.5 Gross HP <sup>†</sup> (10CID) Vertical Vanguard™, Uses 272218 Pre-cleaner	491950		
	<b>Air Filter Cartridge</b>	6-6.5 Gross HP <sup>†</sup> Intek™ Vertical Highmount Metal End Cap	692446		4224 Qty. 4
	<b>Air Filter Cartridge</b>	Intek™ 5.5-6.75 Gross HP <sup>†</sup> Engines, Uses 695303 Pre-Cleaner	695302		
	<b>Air Filter Cartridge</b>	7 & 8 Gross HP <sup>†</sup> Horizontal (Early Style)	390492		
	<b>Air Filter Cartridge</b>	10, 11 & 12 Gross HP <sup>†</sup> Horizontal	392286		

<sup>†</sup> All power levels are stated gross torque at 2600 rpm per SAE J1940.  
<sup>‡</sup> All power levels are stated gross HP at 3600 rpm per SAE J1940.









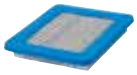

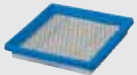
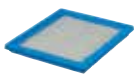
# 1-4 AIR FILTERS - CARTRIDGE



	<b>Air Filter Cartridge</b>	7-18 Gross HP <sup>†</sup> Horizontal Uses 271794S Pre-cleaner	393957S		4106 Qty. 4
	<b>Air Filter</b>	550e-550ex Series™ with paper filter	798452	5432	4247 Qty. 5
	<b>Air Filter Cartridge</b>	6 Gross HP <sup>†</sup> (14 CID) Vertical & Horizontal	496047		
	<b>Air Filter Cartridge</b>	L-Head Twin Horizontal & V-Twin Vanguard, Uses 272490S Pre-Cleaner	394018S	5050 w/272490S Pre- cleaner	4135 Qty. 4
	<b>Air Filter Cartridge</b>	Models 540000 & 610000	841497		4235 Qty. 4
	<b>Air Filter Cartridge</b>	Single Cylinder 20-21 Gross HP <sup>†</sup> Engines and most Model 33 Engines. Uses 793685S Pre-Cleaner	793569	5415 w/793569 Pre- cleaner	
	<b>Air Filter Cartridge</b>	5.50 Gross Torque <sup>‡</sup> , 550 Series™	796970		
	<b>Air Filter Cartridge</b>	Model 44 & 49 Cyclonic Filter	798897		
	<b>Air Filter Cartridge</b>	Vanguard V-Twin™, Uses 692520 Pre-cleaner	692519		4232 Qty. 5
	<b>Air Filter Cartridge</b>	Used on engine model #385777 & 3L/C	820263		4234 Qty. 4
	<b>Air Filter Cartridge</b>	Models 540000 & 610000	821136		4236 Qty. 4

# AIR FILTERS – CARTRIDGE 1-5



	<b>Air Filter Cartridge</b>	10.5-11.5 Gross HP <sup>†</sup> Intek™ Vertical Shaft 212900, 214900, 217900 Green Filter	698973		
	<b>Air Filter Cartridge</b>	7.0 Gross Torque <sup>‡</sup> , Vertical and 700 Series™ DOV® Engines	792038		
	<b>Air Filter Cartridge</b>	6.5 Gross HP <sup>†</sup> Vanguard™/Model 13 Vanguard™, Uses 798513 Pre-cleaner	797033		4101 Qty. 5
	<b>Air Filter Cartridge</b>	Intek™, I/C® OHV Gross HP <sup>†</sup> , Vanguard™ OHV 19 Gross HP <sup>†</sup> , and Extended Life Series™ Engines	591338		
	<b>Air Filter Cartridge</b>	Professional Series™ 7.75, 8.5, 8.75, Uses Pre-cleaner 796254	795066	5419 w/796254 Pre-cleaner	
	<b>Air Filter Cartridge</b>	13.5 Gross HP <sup>†</sup> Intek™, I/C® OHV, Vanguard™ OHV 19.0 Gross HP <sup>†</sup> Engines. Includes sealing gaskets	797032		
	<b>Extended Life Series™ Air Filter Cartridge</b>	V-Twin 16-27 Gross HP <sup>†</sup> Engines, Uses Pre-cleaner 276890	792105	5405 w/276890 Pre-cleaner	4233 Qty. 4
	<b>Air Filter Cartridge</b>	Model 31 Cartridge Filter	591334		
	<b>Air Filter Cartridge</b>	625-1575 Series™, 3.5-6.5 Gross HP <sup>†</sup> Quantum® Engines, Uses 491435S or 493537S Pre-cleaner	491588S	5043	 491588B Qty. 336
	<b>Air Filter Cartridge</b>	3.5 Gross HP <sup>†</sup> Quantum® (10 CID)	399877S		4103 Qty. 5
	<b>Air Filter Cartridge</b>	12.5-16 Gross HP <sup>†</sup> Horizontal & Vertical V-Twin Vanguard™, Uses 805267S pre-cleaner	805113		4140 Qty. 5

<sup>†</sup> All power levels are stated gross torque at 2600 rpm per SAE J1940.  
<sup>‡</sup> All power levels are stated gross HP at 3600 rpm per SAE J1940.

# 1-6 AIR FILTERS - CARTRIDGE



	<b>Air Filter Cartridge</b>	7-11 Gross HP <sup>†</sup> Single Cylinder Industrial Plus™ Engines	691643		4195 Qty. 5
	<b>Air Filter Cartridge</b>	Intek™ V-Twin Engines, Uses 273638S Pre-Cleaner	499486S	5063 w/273638S Pre-cleaner	4223 Qty. 6
	<b>Air Filter Cartridge</b>	3.5 & 4 Gross HP <sup>†</sup> Max Series & 2-Cycle, Uses 399039 Pre-cleaner	397795S	5027	4102 Qty. 5
	<b>Air Filter Cartridge</b>	9-15 Gross HP <sup>†</sup> Single Cylinder Vanguard™ Engines, Uses 710268 Pre-cleaner	710266		4152 Qty. 4
	<b>Air Filter Cartridge</b>	3.5 & 5 Gross HP <sup>†</sup> Industrial Plus™, Uses 492889 Pre-cleaner	494511S		4145 Qty. 4
	<b>Air Filter Cartridge</b>	4 Gross HP <sup>†</sup> (8 CID), Uses 710267 Pre-cleaner	710265		4154 Qty. 4
	<b>Air Filter Cartridge</b>	9 Gross HP <sup>†</sup> (16 CID) Vanguard™, Uses 492889 Pre-cleaner	491384		4155 Qty. 4
	<b>Air Filter Cartridge</b>	Model 050000	711459		4156 Qty. 4
	<b>Extended Life Series™ Air Filter Cartridge</b>	18-26 Gross HP <sup>†</sup> Intek™ V-Twin Engines, Extended Life Series™ Version of 499486S/5063	499486S	5069 w/273638S Pre-cleaner	
	<b>Extended Life Series™ Air Filter Cartridge</b>	14-18 Gross HP <sup>†</sup> I/C®, Intek™, OHV, Extended Life Series™ & AVS®. Extended Life Series™ Version use 697153/5078. Uses Pre-cleaner 697015	795115	5078	4214 Qty. 6
	<b>Air Filter Cartridge AVS®</b>	14-18 Gross HP <sup>†</sup> I/C®, Intek™, OHV & AVS® Engines, For Extended Life Series™ Version use 697153/5078, Uses Pre-cleaner 697015	797008	5077	4214 Qty. 6

# PRE-CLEANERS 1-7

					
	<b>Air Filter Cartridge</b>	8-13.5 Gross HP <sup>†</sup> Power Built™ OHV I/ C® OHV & AVS® Engines, Uses Pre-cleaner 697292	797007	5079 w/697293 Pre-cleaner	4213 Qty. 6
	<b>Air Filter Cartridge</b>	Intek™ V-Twin 16-27 Gross HP <sup>‡</sup> Engines, Uses Pre-cleaner 273635S	792101	5408 w/273638S Pre-cleaner	
	<b>Pre-Cleaner</b>	Europa (9 CID) OHV Vertical, Quantum®, 12U, 12V, 12W800, Pre-cleaner for 497725S	273185S		
	<b>Pre-Cleaner</b>	12.5 & 14 Gross HP <sup>‡</sup> (26 CID) Vertical Vanguard™, Pre-cleaner for 491021	492947		
	<b>Pre-Cleaner</b>	2-5 Gross HP <sup>‡</sup> Horizontal & Vertical Pre-cleaner for 396424S & 392308S	271466		4109 Qty. 4
	<b>Pre-Cleaner</b>	7-18 Gross HP <sup>‡</sup> Horizontal Pre-cleaner for 393957S	Pre-271794S		4141 Qty. 5
	<b>Pre-Cleaner</b>	L-Head Twin Vertical, L-Head Twin Horizontal & V-Twin Vanguard™ Pre-cleaner for 394018 & 19S	272490S		4111 Qty. 6
	<b>Pre-Cleaner</b>	7, 8 & 11 Gross HP <sup>‡</sup> Horizontal Pre-cleaner for 399968	271939		
	<b>Pre-Cleaner</b>	Pre-cleaner for 399806S	271962S		4110 Qty. 4
	<b>Pre-Cleaner</b>	Intek™ V-Twin Pre-cleaner for 499486S	Pre-273638S		
	<b>Pre-Cleaner</b>	12.5 & 14 Gross HP <sup>‡</sup> (26 CID) Vertical Vanguard™ Pre-cleaner (Heavy Duty) for 491021	272444		

† All power levels are stated gross torque at 2600 rpm per SAE J1940.  
‡ All power levels are stated gross HP at 3600 rpm per SAE J1940.


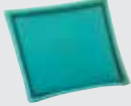
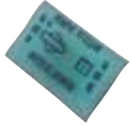









# 1-8 PRE-CLEANERS



	<b>Pre-Cleaner</b>	Intek™ 5.5-6.75 Gross HP† Engines Pre-cleaner for 697029	273356S		4201 Qty. 5
	<b>Pre-Cleaner</b>	5.5 Gross HP† (10CID) Vertical Vanguard™, Uses 491950 Pre-cleaner	272218		
	<b>Pre-Cleaner</b>	Pre-cleaner for 691667	272477S		4199 Qty. 5
	<b>Pre-Cleaner</b>	Pre-cleaner for 496894S	272403S		4142 Qty. 5
	<b>Pre-Cleaner</b>	6.5 Gross HP† Vanguard™ Pre-cleaner for 798513	798513		
	<b>Pre-Cleaner</b>	Pre-cleaner for 491588S	491435S		4146 Qty. 5
	<b>Pre-Cleaner</b>	Pre-cleaner for 397795S	399039		
	<b>Pre-Cleaner</b>	Pre-cleaner for 491384, 494511S, 691643	492889		4148 Qty. 5
	<b>Pre-Cleaner</b>	Pre-cleaner for 491588S Wire mesh version - Selected Models	493537S	5064	4147 Qty. 5
	<b>Pre-Cleaner</b>	Pre-cleaner for 710265	710267		
	<b>Pre-Cleaner</b>	Used on model 050000 Pre-cleaner for 711459	711460		

# PRE-CLEANERS 1-9



	<b>Pre-Cleaner</b>	Pre-cleaner for 710266	710268		
	<b>Pre-Cleaner</b>	Pre-cleaner for 805113	805267S		4143 Qty. 5
	<b>Pre-Cleaner</b>	Pre-cleaner for 689413	697292		4215 Qty. 5
	<b>Pre-Cleaner</b>	Pre-cleaner 698083	697015		
	<b>Pre-Cleaner</b>	Pre-cleaner 695302	695303		
	<b>Pre-Cleaner</b>	Professional Series™ 7.75, 8.5, 8.75, Pre-cleaner for 795066	796254		
	<b>Pre-Cleaner</b>	Pre-cleaner for 793028	793676		
	<b>Pre-Cleaner</b>	Single Cylinder 20-21 Gross HP† Used with 793569	793685		
	<b>Pre-Cleaner</b>	Pre-cleaner for 692519	692520		
	<b>Pre-Cleaner</b>	Pre-cleaner for 798897	592317		
	<b>Filter Pre-Cleaner</b>		590602		
	<b>Filter Pre-Cleaner</b>		798911		



† All power levels are stated gross torque at 2600 rpm per SAE J1940.  
‡ All power levels are stated gross HP at 3600 rpm per SAE J1940.





# 1-10 DIAPHRAGM - FLOAT VALVES



	<b>Diaphragm</b>	All L-Head V-Twin Selected 8.0 & 11.0 Gross HP <sup>†</sup> Horizontal (Fuel Pump)	272638S		
	<b>Diaphragm</b>	3.0-5.0 Gross HP <sup>†</sup> Horizontal (Pulsa Jet Carburetor/Old Style)	270026		4157 Qty. 10
	<b>Diaphragm</b>	3.5 & 4.0 Gross HP <sup>†</sup> Vertical (Pulsa Prime Carburetor)	391681		
	<b>Diaphragm</b>	3.0 Gross HP <sup>†</sup> Vertical (Vacu-Jet Carburetor)	299637		
	<b>Diaphragm</b>	3.0-3.75 Gross HP <sup>†</sup> Vertical, 450-600 Series™ (Pulsa Prime Carburetor)	795083	5083	
	<b>Diaphragm</b>	All L-Head V-Twin Selected 8.0 & 11.0 Gross HP <sup>†</sup> Horizontal (Fuel Pump)	272538S	5021 includes Spring 692206 & Spring Cap 690766	4168 Qty. 5
	<b>Float Valve</b>	430400 & 587400	820486		
	<b>Float Valve</b>	437400 & 587400	820506		
	<b>Float Valve</b>	3 and 5 Gross HP <sup>†</sup> Horizontal (Up-draft Carburetor)	293478		
	<b>Float Valve</b>	7-18 Gross HP <sup>†</sup> Horizontal & Vertical (Brass Seat/Fuel Pump Equipped)	394683		
	<b>Float Valve</b>	7-18 Gross HP <sup>†</sup> Horizontal & Vertical, (Viton Rubber Seat)	394681		

# FLOAT VALVES 1-11



	<b>Float Valve</b>	8.0-12.5 Gross HP <sup>†</sup> Vertical	494788		
	<b>Float Valve</b>	4.0 Gross HP <sup>†</sup> (8 CID) Vanguard™	715075		
	<b>Float Valve</b>	All Max, Quantum® 5 & 6 Gross HP <sup>†</sup> Vertical & 5 Gross HP <sup>†</sup> Industrial Plus™	3.5 398188		
	<b>Float Valve</b>	7-18 Gross HP <sup>†</sup> Horizontal & Vertical (Brass Seat)	394682		
	<b>Float Valve</b>	6.5 Gross HP <sup>†</sup> Vanguard™	698537		
	<b>Float Valve Needle</b>	Model 19, 20, 21 Horizontal, Model 21, 28, 31, 33, 54 Vertical	696136		
	<b>Float Valve</b>	9.0 Gross HP <sup>†</sup> (18 CID) Vanguard™, OHV Horizontal	715155		
	<b>Float Valve</b>	10, 10.5, 11.5, 12.5, 13, 14 & 15 Gross HP <sup>†</sup> (28 CID) Vertical	231855S		
	<b>Float Valve</b>	5.0-7.0 Gross HP <sup>†</sup> , 2-Cycle Snow Engines, Metal carb after date code 06060700	801423		
	<b>Seat- Inlet</b>	Model 9 & 10 Vertical	691901		
	<b>Breather Tube</b>	All Max, Quantum® 5.0 & 6.0 Gross HP <sup>†</sup> Vertical, 3.5 & 5.0 Gross HP <sup>†</sup> Industrial Plus™	691781		

† All power levels are stated gross torque at 2600 rpm per SAE J1940.  
‡ All power levels are stated gross HP at 3600 rpm per SAE J1940.

# 1-12 TUBE PICK-UP - PRIMER BULB - NEEDLE VALVES



	<b>Tube Pick-Up</b>	4.0 Gross HP <sup>†</sup> Vertical (Vacu-Jet & Pulsa Jet Carburetors)	297219S		
	<b>Tube Pick-Up</b>	3.0-3.75 Gross HP <sup>†</sup> Vertical (Pulsa Prime Carburetor)	496046S		
	<b>Tube Pick-Up</b>	3.0-5.0 Gross HP <sup>†</sup> Horizontal & 5 Gross HP Vertical (Pulsa Jet Carburetor)	391813		
	<b>Tube Pick-Up</b>	3.0-5.0 Gross HP <sup>†</sup> Horizontal & Vertical (Pulsa Jet Carburetor)	497413S		
	<b>Primer Bulb</b>	Snow Engines 120000, 150000	790221		
	<b>Intake Elbow Seal</b>	3-6 Gross HP <sup>†</sup> Vertical	270344S		
	<b>Primer Bulb</b>	Selected Models (12 CID) (Backing Plate Mount)	694395	5085	4180 Qty 5
	<b>Primer Bulb</b>	Selected Quantum <sup>®</sup> (12 CID) (Fuel Tank Mounted)	394281S		
	<b>Primer Bulb</b>	Pulsa Prime Carburetor	694394	5084	4178 Qty. 5
	<b>Primer Bulb</b>	Pulsa Prime Carburetor Snow Engine	695750		
	<b>Needle Valve</b>	2 & 3 Gross HP <sup>†</sup> Horizontal (Vacu-Jet Carburetor)	299059		
	<b>Needle Valve</b>	3-4 Gross HP <sup>†</sup> Vertical (Vacu-Jet & Pulsa Jet Carburetors)	395508		

# NEEDLE VALVES 1-13



	<b>Needle Valve</b>	3.5 & 4 Gross HP <sup>†</sup> Max Series & Quantum <sup>®</sup> (10 CID)	398157		
	<b>Needle Valve</b>	3.5 & 4 Gross HP <sup>†</sup> Max Series & Quantum <sup>®</sup> (10 CID)	492500		
	<b>Needle Valve</b>	3.5 & 4 Gross HP <sup>†</sup> Max Series; 5 & 6 Gross HP <sup>†</sup> Vertical All Quantum <sup>™</sup> (Float Carburetor)	493765		
	<b>Needle Valve</b>	2 & 3 Gross HP <sup>†</sup> Horizontal (Vacu-Jet Carburetor)	299060		
	<b>Needle Valve</b>	4 Gross HP <sup>†</sup> (8 CID) Vanguard <sup>™</sup> 5.5 Gross HP <sup>†</sup> (11 CID) & 9 Gross HP <sup>†</sup> (18 CID)	715293		
	<b>Needle Valve</b>	7-16 Gross HP <sup>†</sup> Horizontal & Vertical (Float Carburetor)	99525S		
	<b>Needle Valve</b>	7-18 Gross HP <sup>†</sup> Horizontal & Vertical (Float Carburetor)	292681		
	<b>Needle Valve</b>	10, 10.5, 11.5 Gross HP <sup>†</sup> (28 CID) OHV Vertical	496589		
	<b>Needle Valve</b>	11.5, 12.5 & 13 Gross HP <sup>†</sup> (28 CID) Vertical	494383		
	<b>Needle Valve</b>	13, 14 & 15 Gross HP <sup>†</sup> (28 CID) Vertical	495932		
	<b>Carburetor &amp; Tank Kit</b>	Used to Convert All 9 CID Air Vane Governor L-Head Engines to Primer-Type Carburetor	495912		
	<b>Overhaul Kit</b>	3.5-4 Gross HP <sup>†</sup> Vertical (Pulsa Jet Carburetor) Tank Repair Kit	4184		








† All power levels are stated gross torque at 2600 rpm per SAE J1940.  
‡ All power levels are stated gross HP at 3600 rpm per SAE J1940.

# 1-14 OVERHAUL KITS - CARBURETOR

Model Series/Gross Horsepower <sup>†</sup>	Crankshaft Direction	Carburetor Description	Overhaul Kit Part #
2 & 3	Horizontal	Float	291691
10 - 12 & 16	Horizontal	Single Cylinder, Early Style	394989
41464	Horizontal	Up-draft Float	394693
41467	Vertical	Float	394683
10, 11 & 16	Horizontal	Single Cylinder, Current Style	394989
41463	Horizontal	Up-draft After Code 84100800	394693
2 & 3	Horizontal	Float	398992
3.5 & 4 Max Series & Quantum® (12 CID)	5 & 6 Verticals	Float	494349
3 - 3.5	Vertical	Vacu-Jet	494622
41337	Vertical	Pulsa Jet	494623
5	Vertical	Pulsa Jet	494625
41338	Horizontal	Pulsa Jet	495606
10, 10.5 & 11.5	Vertical	28 CID	497481
13, 14 & 15	Vertical	28 CID	497535
3.5 & 4 Max Series & All Quantum® & 5 Industrial Plus™	Horizontal	122K00, 123K00	498260
40H700, 446700	Vertical		797890
121600, 122600	Vertical		792383
All L-Head Twins	Horizontal/Vertical		694056
6, 121400, 123400, 12D400, Intek™	Horizontal		695157
20A400, 2014, 2024, 2034, 2044, 2054, 206400, 20D400, 20F400, 210400	Horizontal		696146
28500, 28CH00, 31G700, 31L700	Vertical		697241
21B900	Vertical		796185
185400	Horizontal		715156
11 & 13	Horizontal	Vanguard™ OHV	715387
6	Horizontal	Vanguard™ OHV	716143
5.5	Horizontal	Vanguard™ OHV	715439
138400	Horizontal		716245
245400	Horizontal		715707
235400	Horizontal		715718
118400	Horizontal		715874
121Q00, 121S00 Professional Series™ 8.75 Gross Torque <sup>‡</sup>	Vertical	Float	796612
18	Horizontal	Vanguard™ OHV V-Twin 35 CID	808274
20	Horizontal	Vanguard™ OHV V-Twin 35 CID	842873
350700	Vertical		842886
16	Horizontal	Vanguard™ OHV V-Twin 30 CID	809021
303400	Horizontal		842877
350400	Horizontal		842881
430400, 580400	Horizontal	3/LC Standard Choke	825238
430400	Horizontal	3/LC Auto Choke	825293
437400	Horizontal	3/LC	825441
587400	Horizontal	3/LC	825441

# SNOW ENGINE CHOKE SHAFTS 1-15



	<b>Short Round Top</b>		695752		
	<b>Short Black "L" Top</b>		791534 790553		
	<b>Short Black "T" Top</b>		790553		
	<b>Choke Shaft Knob</b>		791958		
	<b>Long Round Top</b>		696752		
	<b>Long Red "T" Top</b>		790472		
	<b>Choke Shaft Knob</b>		791948		

Engine Model	Type	Choke Shaft-Knob Part #	Style	Shaft Length
12A412	0100	696691	Short Shaft/Round Top	3 1/4"
12C112	0007	790553	Short Shaft/"T" Top	2 3/8"
12C112	0100	790553	Short Shaft/"T" Top	2 3/8"
12C113	0251	790553	Short Shaft/"T" Top	2 3/8"
12C314	0131	696691	Short Shaft/Round Top	3 1/4"
12C314	0207	696691	Short Shaft/Round Top	3 1/4"
12C314	0208	696691	Short Shaft/Round Top	3 1/4"
12C412	0100	696691	Short Shaft/Round Top	3 1/4"
12C414	0131	696691	Short Shaft/Round Top	3 1/4"
12C414	0207	696691	Short Shaft/Round Top	3 1/4"
12C414	0208	696691	Short Shaft/Round Top	3 1/4"
12D103	0132	790553/791948	Short Shaft/"T" Top	2 3/8 "
12D103	0131	790553/791948	Short Shaft/"T" Top	2 3/8 "
12D113	0100	790553/791948	Short Shaft/"T" Top	2 3/8 "
12D113	0121	790553/791948	Short Shaft/"T" Top	2 3/8 "
2D113	0940	790553/791948	Short Shaft/"T" Top	2 3/8 "
12D114	0112	790553/791948	Short Shaft/"T" Top	2 3/8 "

† All power levels are stated gross torque at 2600 rpm per SAE J1940.  
‡ All power levels are stated gross HP at 3600 rpm per SAE J1940.



# 1-16 SNOW ENGINE CHOKE SHAFTS

Engine Model	Type	Choke Shaft-Knob Part #	Style	Shaft Length
12D114	0113	790553/791948	Short Shaft/"T" Top	2 3/8 "
12D114	0118	790553/791948	Short Shaft/"T" Top	2 3/8 "
12D114	0122	790553/791948	Short Shaft/"T" Top	2 3/8 "
12D114	0125	790553/791948	Short Shaft/"T" Top	2 3/8 "
12D114	0126	790553/791948	Short Shaft/"T" Top	2 3/8 "
12D114	0128	790553/791948	Short Shaft/"T" Top	2 3/8 "
12D114	0130	790553/791948	Short Shaft/"T" Top	2 3/8 "
12D116	0120	790553/791948	Short Shaft/"T" Top	2 3/8 "
12D116	0124	790553/791948	Short Shaft/"T" Top	2 3/8 "
12D116	0134	790553/791948	Short Shaft/"T" Top	2 3/8 "
12D132	0134	790553/791948	Short Shaft/"T" Top	2 3/8 "
12D133	0133	790553/791948	Short Shaft/"T" Top	2 3/8 "
12D193	0111	790553/791948	Short Shaft/"T" Top	2 3/8 "
12D194	0114	790553/791948	Short Shaft/"T" Top	2 3/8 "
12D194	0115	790553/791948	Short Shaft/"T" Top	2 3/8 "
12D194	0116	790553/791948	Short Shaft/"T" Top	2 3/8 "
12D194	0117	790553/791948	Short Shaft/"T" Top	2 3/8 "
12D196	0110	790553/791948	Short Shaft/"T" Top	2 3/8 "
12D312	0007	696691/791958	Short Shaft/Round Top	3 1/4"
12D312	0009	696691/791958	Short Shaft/Round Top	3 1/4"
12D312	0507	696691/791958	Short Shaft/Round Top	3 1/4 "
12D312	0508	696691/791958	Short Shaft/Round Top	3 1/4 "
12D312	0509	696691/791958	Short Shaft/Round Top	3 1/4 "
12D313	0017	696691/791958	Short Shaft/Round Top	3 1/4"
12D313	0019	696691/791958	Short Shaft/Round Top	3 1/4 "
12D313	0517	696691/791958	Short Shaft/Round Top	3 1/4 "
12D313	0519	696691/791958	Short Shaft/Round Top	3 1/4 "
12D393	0018	696691/791958	Short Shaft/Round Top	3 1/4"
12E112	0007	790553/791948	Short Shaft/"T" Top	2 3/8"
12E112	0101	790553/791948	Short Shaft/"T" Top	2 3/8"
12E113	0252	790553/791948	Short Shaft/"T" Top	2 3/8"
12E114	0268	790553/791948	Short Shaft/"T" Top	2 3/8"
12E314	0275	696691/791958	Short Shaft/Round Top	3 1/4"
12E394	0018	696691/791958	Short Shaft/Round Top	3 1/4"
12E394	0110	696691/791958	Short Shaft/Round Top	3 1/4"
12E394	0111	696691	Short Shaft/Round Top	3 1/4"
12E494	0110	696691	Short Shaft/Round Top	3 1/4"
15D102	0111	791958	Round Top	N/A
15D104	0022	791958	Round Top	N/A
15D104	0112	791958	Round Top	N/A
15D104	0113	791958	Round Top	N/A
15D112	0006	791958	Round Top	N/A
15D112	0007	791958	Round Top	N/A
15D114	0017	791958	Round Top	N/A
15D114	0020	791958	Round Top	N/A
15D114	0918	791958	Round Top	N/A

# SNOW ENGINE CHOKE SHAFTS 1-17

Engine Model	Type	Choke Shaft-Knob Part #	Style	Shaft Length
15D134	0023	791958	Round Top	N/A
15D194	0018	791958	Round Top	N/A
20A412	0007	696752/791958	Long Shaft/Round Top	4"
20A412	0009	696752/791958	Long Shaft/Round Top	4"
20A412	0100	696752/791958	Long Shaft/Round Top	4"
20A412	0105	696752/791958	Long Shaft/Round Top	4"
20A414	0110	696752/791958	Long Shaft/Round Top	4"
20A414	0111	696752/791958	Long Shaft/Round Top	4"
20A414	0113	696752/791958	Long Shaft/Round Top	4"
20A414	0114	696752/791958	Long Shaft/Round Top	4"
20A414	0115	696752/791958	Long Shaft/Round Top	4"
20A414	0116	696752/791958	Long Shaft/Round Top	4"
20A414	0117	696752/791958	Long Shaft/Round Top	4"
20A414	0118	696752/791958	Long Shaft/Round Top	4"
20A414	0119	696752/791958	Long Shaft/Round Top	4"
20A414	0120	696752/791958	Long Shaft/Round Top	4"
20A414	0348	696752/791958	Long Shaft/Round Top	4"
20A414	0353	696752/791958	Long Shaft/Round Top	4"
20A414	0365	696752/791958	Long Shaft/Round Top	4"
20A414	0375	696752/791958	Long Shaft/Round Top	4"
20A414	0737	696752/791958	Long Shaft/Round Top	4"
20A414	0919	696752/791958	Long Shaft/Round Top	4"
20A416	0108	696752/791958	Long Shaft/Round Top	4"
20B412	0100	696752/791958	Long Shaft/Round Top	4"
20B414	0369	696752/791958	Long Shaft/Round Top	4"
20B414	0698	696752/791958	Long Shaft/Round Top	4"
20C112	0100	790472	Long Shaft/"T" Top	3 7/8"
20C113	0253	790472/791948	Long Shaft/"T" Top	3 7/8"
20C114	0269	790472/791948	Long Shaft/"T" Top	3 7/8"
20C114	0270	790472/791948	Long Shaft/"T" Top	3 7/8"
20C114	0274	790472/791948	Long Shaft/"T" Top	3 7/8"
20C414	0111	696752/791948	Long Shaft/"T" Top	4"
20C414	0148	696752/791948	Long Shaft/"T" Top	4"
20C414	0160	696752/791948	Long Shaft/"T" Top	4"
20C414	0206	696752/791948	Long Shaft/"T" Top	4"
20C414	0372	790472/791948	Long Shaft/"T" Top	3 7/8"
20D414	0017	696752/791958	Long Shaft/Round Top	4"
20D414	0019	696752/791958	Long Shaft/Round Top	4"
20D414	0111	696752/791958	Long Shaft/Round Top	4"
20D414	0112	696752/791958	Long Shaft/Round Top	4"
20E412	0100	696752/791958	Long Shaft/Round Top	4"
20E414	0162	696752/791958	Long Shaft/Round Top	4"
20E414	0163	696752/791958	Long Shaft/Round Top	4"
20E414	0204	696752/791958	Long Shaft/Round Top	4"
20F414	0017	696752/791958	Long Shaft/Round Top	4"
20F414	0019	696752/791958	Long Shaft/Round Top	4"

† All power levels are stated gross torque at 2600 rpm per SAE J1940.  
‡ All power levels are stated gross HP at 3600 rpm per SAE J1940.

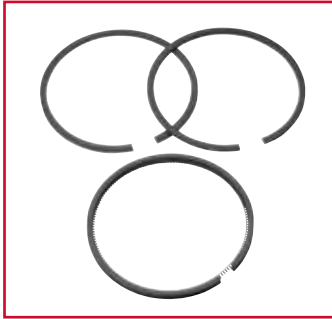




# 1-18 SNOW ENGINE CHOKE SHAFTS

Engine Model	Type	Choke Shaft-Knob Part #	Style	Shaft Length
20F414	0112	696752/791958	Long Shaft/Round Top	4"
20F437	0113	696752/791958	Long Shaft/Round Top	4"
20F437	0114	696752/791958	Long Shaft/Round Top	4"
20G414	0017	696752/791958	Long Shaft/Round Top	4"
20G414	0019	696752/791958	Long Shaft/Round Top	4"
20G414	0011	696752/791958	Long Shaft/Round Top	4"
20G414	0368	696752/791958	Long Shaft/Round Top	4"
20G416	0110	696752/791958	Long Shaft/Round Top	4"
21A112	0100	790472/791948	Long Shaft/"T" Top	3 7/8"
21A113	0254	790472/791948	Long Shaft/"T" Top	3 7/8"
21A114	0017	790472/791948	Long Shaft/"T" Top	3 7/8"
21A412	0100	696752/791958	Long Shaft/Round Top	4"
21A412	0105	696752/791958	Long Shaft/Round Top	4"
21A414	0017	696752/791958	Long Shaft/Round Top	4"
21A414	0019	696752/791958	Long Shaft/Round Top	4"
21A414	0111	696752/791958	Long Shaft/Round Top	4"
21A414	0112	696752/791958	Long Shaft/Round Top	4"
21A414	0115	696752/791958	Long Shaft/Round Top	4"
21A414	0117	696752/791958	Long Shaft/Round Top	4"
21A414	0119	696752/791958	Long Shaft/Round Top	4"
21A414	0133	696752/791958	Long Shaft/Round Top	4"
21A414	0134	696752/791958	Long Shaft/Round Top	4"
21A414	0135	696752/791958	Long Shaft/Round Top	4"
21A414	0136	696752/791958	Long Shaft/Round Top	4"
21A414	0163	696752/791958	Long Shaft/Round Top	4"
21A414	0164	696752/791958	Long Shaft/Round Top	4"
21A414	0166	696752/791958	Long Shaft/Round Top	4"
21A414	0168	696752/791958	Long Shaft/Round Top	4"
21A414	0205	696752/791958	Long Shaft/Round Top	4"
21A414	0215	696752/791958	Long Shaft/Round Top	4"
21A414	0371	696752/791958	Long Shaft/Round Top	4"
21A414	0540	696752/791958	Long Shaft/Round Top	4"
21A414	0701	696752/791958	Long Shaft/Round Top	4"
21A416	0113	696752/791958	Long Shaft/Round Top	4"
9A412	0267	696752/791958	Long Shaft/Round Top	4"
9A413	0202	696752/791958	Long Shaft/Round Top	4"
09A413	0203	696752/791958	Long Shaft/Round Top	4"
09A413	0522	696752/791958	Long Shaft/Round Top	4"

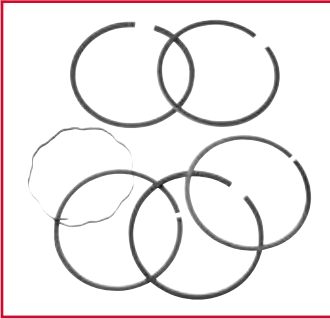
# PISTON RING SET - STANDARD 2-1



Model Series /Horsepower	Crankshaft Direction	Engine Description	Ring Set Part #
2 & 3 Gross HP†	Horizontal	L-Head	294232
450-475 Series™, 3.5 & 3.75 Gross HP†	Horizontal	L-Head	498680
450-550 Series™, 3.5 & 3.75 Gross HP†	Vertical	L-Head	498680
450-475 Series™, 3, 3.75 & 5 Gross HP†	Horizontal	L-Head Aluminum Bore	298982
450-550 Series™, 3, 3.75 & 5 Gross HP†	Vertical	L-Head Aluminum Bore	298982
5 Gross HP†	Horizontal	L-Head Industrial Plus™	399067
5 Gross HP†	Horizontal	L-Head Cast Iron Bore	399067
6 Gross HP†	Horizontal	Intek™	499631
7 Gross HP†	Horizontal	2 Cyl Snow	801280
7 Gross HP†	Horizontal	2 Cyl Snow	801282
550 Series™, 5.5 Gross Torque†	Horizontal		797220
1100 Series™, 8.0 Gross HP†	Horizontal	L-Head Cast Iron Bore	690014
1100 Series™, 9.0 Gross HP†	Horizontal	L-Head Industrial Plus™	690014
1100 Series™, 8.0 Gross HP†	Horizontal	L-Head Aluminum Bore	499921
875 Series™, 7.0 Gross HP†	Vertical	L-Head Aluminum Bore	499921
13 Gross HP†	Vertical	L-Head Cast Iron Bore	499996
13.5 Gross HP†	Vertical	L-Head Cast Iron Bore	499996
625-675 Series™, Quantum® (12 CID)	Vertical	L-Head Aluminum Bore	493261
Europa™ (9 CID)	Vertical	L-Head Aluminum Bore	493782
17 Gross HP†	Vertical	L-Head Twin Opposed	394959
20.0 Gross HP†	Vertical	L-Head Cast Iron Bore	394959
1450-1550 Series™, 10 & 11 Gross HP†	Horizontal	L-Head Industrial Plus™	495854
825-875 Series™, 5.5, 6 & 6.5 Gross HP†	Horizontal/Vertical	Intek™ OHV	499631
6.0 Gross HP†	Vertical	Intek™ OHV	499425
13, 14 & 15 Gross HP† (28 CID)	Vertical	Intek™ OHV	495854
15.5 Gross HP†	Vertical	Intek™ OHV	495854
16.5 & 17 Gross HP†	Vertical	Intek™ OHV V-Twin	690162
18 Gross HP†	Vertical	Intek™ OHV V-Twin	499604
4.5 Gross HP† (8 CID)	Horizontal	Vanguard™ OHV	715060
5.5 Gross HP† (11 CID)	Horizontal	Vanguard™ OHV	715016
7.5 Gross HP†	Horizontal	Vanguard™ OHV	715452
9 Gross HP† (18 CID)	Horizontal	Vanguard™ OHV	715111
6.5 Gross HP†	Horizontal	Vanguard™	795431
11 & 13 Gross HP†	Horizontal	Vanguard™ OHV	715346
5.5 Gross Torque†	Horizontal	550 Series™	797220
5.0-6.5 Gross HP†	Horizontal	2 Cyl. Snow Engine	801280
7.0 Gross HP†	Horizontal	Snow Engine	801282
12.5-16 Gross HP†	Horizontal/Vertical	Vanguard™ OHV V-Twin	843951
18 & 20 Gross HP†	Horizontal/Vertical	Vanguard™ OHV V-Twin	843793
20 & 22 Gross HP†	Vertical	Vanguard™ OHV V-Twin	499604
22 Gross HP†	Vertical	Vanguard™ OHV V-Twin	843806
23 Gross HP†	Horizontal	Vanguard™ OHV V-Twin	843806
587400, 580400	Horizontal	Gas	825036
430400, 437400	Horizontal	Gas	825091
432400, 522400	Horizontal	Diesel	825164
582400	Horizontal	Diesel	825187

† All power levels are stated gross torque at 2600 rpm per SAE J1940.  
‡ All power levels are stated gross HP at 3600 rpm per SAE J1940.

## 2-2 PISTON RING SET - CHROME



Model Series /Horsepower	Crankshaft Direction	Engine Description	Ring Set Part #
450-550 Series™, 3, 3.75, 4 & 5 Gross HP†	Horizontal/Vertical	Models 90000, 10A900, 130000	298982
7.0 Gross HP†, 875 Series™	Vertical	1704, 1707, 171, 176, 19B,E,F,G, 190400, 190700, 191700	690014
8.0 Gross HP†, 1100-1350 Series™	Horizontal	1704, 1707, 171, 176, 19B,E,F,G, 190400, 190700, 191700	690014
8 & 9 Gross HP†, 1350 Series™	Horizontal	204000	298746
11, 12 & 13 Gross HP†, 1550 Series™	Horizontal	30 CID	299690

## INTAKE & EXHAUST VALVES



Model Series / Horsepower	Crankshaft Direction	Engine Description	Part # Intake Valve	Part # Exhaust Valve
		<b>Fource™</b>		<b>696862</b>
450 Series™, 2 & 3.5 Gross HP†	Horizontal/Vertical	L-Head	296677	296676
475 Series™, 3.75 Gross HP†	Horizontal	L-Head	296677	296676
550 Series™, 5.0 Gross HP†	Horizontal/Vertical	L-Head	261044S	211119S
Intek™ 6.0 Gross HP†	Vertical	OHV	795443	499642
625-675 Series™, Quantum®	Vertical	12 CID	590393	262651S
625 Series™, 5.25, 6 Gross HP†	Vertical	Quantum®	262652S	262651S
500 Series™, Quattro™ 4 Gross HP†	Vertical	L-Head	296677	296676
5 Gross HP†	Horizontal	Industrial Plus™	261044S	211119S
875-1150 Series™, 7 & 8.5 Gross HP†	Horizontal/Vertical	L-Head	261055S	
1100 Series™, 8 Gross HP†	Horizontal	L-Head	261055S	
9 Gross HP†	Horizontal	L-Head Industrial Plus™	261055S	
450 Series™, 10 Gross HP†	Horizontal	L-Head	690429	691796
10, 10.5, 11.5, 12, 12.5 & 13 Gross HP†	Vertical	L-Head 28 CID	262247S	
13 Gross HP†	Vertical	L-Head	791935	792868
13.5 Gross HP†	Vertical	L-Head	262247S	
13, 14 & 15 Gross HP†	Vertical	OHV 28 CID	791935	792868
17 Gross HP†	Vertical	L-Head Twin Opposed	691804	
20 Gross HP†	Vertical	L-Head	691804	
825-850 Series™, Intek™ 5.5, 6 Gross HP†	Horizontal/Vertical	OHV	795443	499642
Intek™ 15.5 Gross HP†	Vertical	OHV	791935	792868
Intek™ 16.5 Gross HP†	Vertical	OHV V-Twin	791935	792868
Intek™ 17, 18, 20, 22 Gross HP†	Vertical	OHV V-Twin	791935	792868

# INTAKE & EXHAUST VALVES 2-3

Model Series / Horsepower	Crankshaft Direction	Engine Description	Part # Intake Valve	Part # Exhaust Valve
85400	Horizontal	Vanguard™ OHV	715003	715002
104700	Vertical	Vanguard™ OHV	492769	
115400, 117400	Horizontal	Vanguard™ OHV	715003	715002
138400, 7.5 Gross HP‡	Horizontal	Vanguard™ OHV	715446	715445
161400	Horizontal	Vanguard™ OHV		491910
185400	Horizontal	Vanguard™ OHV	716256	716257
235400, 245400	Horizontal	Vanguard™ OHV	716080	716079
260700, 261700	Vertical	Vanguard™ OHV		492117
290000, 300000	Horizontal/Vertical	Vanguard™ OHV	807680 (2 used)	807681 (2 used)
350400, 350700	Horizontal/Vertical	Vanguard™ OHV	807680 (2 used)	807681 (2 used)
351400, 351700	Horizontal/Vertical	Vanguard™ OHV	807680 (2 used)	807681 (2 used)
351400, 351700	Horizontal/Vertical	Vanguard™ OHV V-Twin	807680 (2 used)	807681 (2 used)
380400, 700, 381400	Horizontal/Vertical	Vanguard™ OHV V-Twin	843751	806419 (2 used)
		3/LC Gas	820115 (3 used)	820114 (3 used)
		3/LC Diesel	820403 (3 used)	820404 (3 used)
445700			792200	697576
2.4 Gross HP†	Horizontal	Vanguard™	715932	715931
5.5s Gross Torque†, 550 Series™	Horizontal		797198	797199
6.5 Gross HP‡	Horizontal	Vanguard™	795443	499642

† All power levels are stated gross torque at 2600 rpm per SAE J1940.  
 ‡ All power levels are stated gross HP at 3600 rpm per SAE J1940.

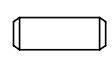
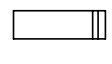

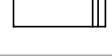


# 2-4 INTAKE & EXHAUST VALVES

Compression

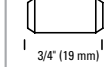
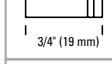
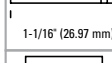
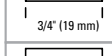
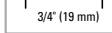
## 5/16" VALVE GUIDES L-HEAD ENGINES OVER 5 HP

Use Guide Numbers

Bushing removed from cylinder		Sintered Guide Gray or Copper Colored	<b>261961</b>
		Brass Guide 1 or 2 Grooves	<b>231218</b>
		Brass Guide No Grooves	<b>230655</b>
		Aluminum Guide or Cast Iron Cylinder	<b>231218</b>

## 1/4" VALVE GUIDES L-HEAD ENGINES OVER 5 HP & UNDER

Use Guide Numbers

Bushing removed from cylinder		Sintered Guide Gray or Copper Colored	<b>262001</b>
		Brass Guide 1 or 2 Grooves	<b>231348</b>
		Brass Guide 1 or 2 Grooves	<b>231349</b>
		Brass Guide No Grooves	<b>63709</b>
		Aluminum Guide or Cast Iron Cylinder	<b>63709</b>







For valve guide part number(s) on OHV engines, consult Repair Instruction Handbook for respective engine(s).

# MUFFLERS - LO-TONE™ 3-1



Engine Parts

Exhaust Systems

	<b>Lo-Tone™</b>	5.0 Gross HP <sup>†</sup> Horizontal & Vertical engines	390918S		
	<b>Lo-Tone™</b>	3.0-4.0 Gross HP <sup>†</sup> Vertical (1/2" NPT)	394569S		
	<b>Lo-Tone™</b>	2-4 Gross HP <sup>†</sup> (11 CID) Horizontal (1/2" NPT)	493288		
	<b>Lo-Tone™</b>	Selected Model 28 Verticals	496022S		
	<b>Lo-Tone™</b>	5.0-8.0 Gross HP <sup>†</sup> Horizontal & Vertical (3/4" NPT)	393010S		
	<b>Lo-Tone™</b>	9-18 Gross HP <sup>†</sup> Horizontal Remote Mount	399635		
	<b>Lo-Tone™</b>	Selected Model 28 Verticals	495805S		
	<b>Lo-Tone™</b>	10.0 & 11 Gross HP <sup>†</sup> Horizontal	497470		
	<b>Lo-Tone™</b>	10.0-12.5 Gross HP <sup>†</sup> Horizontal & Vertical engines Special RAF Reduced Noise Design	691874		
	<b>Lo-Tone™</b>	625-675 Series™ engines 6.0 Gross HP <sup>†</sup> Quantum® engines	692038		
	<b>Lo-Tone™</b>	6.5 Gross HP Vanguard™ engines	798515		

† All power levels are stated gross torque at 2600 rpm per SAE J1940.  
‡ All power levels are stated gross HP at 3600 rpm per SAE J1940.

# 3-2 MUFFLERS - SUPER LO-TONE™ - STANDARD



	<b>Super Lo-Tone™</b>	Europa™ (9 CID) OHV Vertical	494717		
	<b>Super Lo-Tone™</b>	5.0 Gross HP† Horizontal	496892		
	<b>Super Lo-Tone™</b>	3.0 & 4.0 Gross HP† (11CID) Horizontal	691360		
	<b>Super Lo-Tone™</b>	3.0-4.0 Gross HP† Vertical	692307		
	<b>Super Lo-Tone™</b>	7.0 & 8.0 Gross HP† Horizontal & Vertical	494222		
	<b>Super Lo-Tone™</b>	8.0 & 11.0 Gross HP† Horizontal 18.0 Gross HP† Opposed Twin Horizontal Selected Models OHV Twins - (Horizontal & Vertical C/S Models/ Remote Mount) Special RAF Reduced Noise Design	498984S		
	<b>Super Lo-Tone™</b>	5.0 Gross HP† Horizontal Special RAF Reduced Noise Design	691969		
	<b>Super Lo-Tone™</b>	3.0-5.0 Gross HP† Industrial Plus™	692365		
	<b>Muffler</b>	850 Series™ engines 6.0 Gross HP† Intek™ engines	693593		
	<b>Standard</b>	2 & 3 Gross HP† Horizontal (1/2" NPT)	89966		
	<b>Standard</b>	8-16 HP† Horizontal Cast Iron Models (7" Pipe Length, 1" NPT)	299477S		

# MUFFLERS - STANDARD - VANGUARD™ 3-3







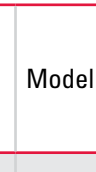
	<b>Standard</b>	9-16 Gross HP† Single Cylinder (Less Pipe Extension)	392989		
	<b>Muffler</b>	850 Series™ engines 6.0 Gross HP Intek™ engines	694429		
	<b>Standard</b>	10-12 Gross HP† 8" Pipe Length	391569S		
	<b>Standard</b>	16 Gross HP† Horizontal Cast Iron Models (11" Pipe Length, 1" NPT)	393232S		
	<b>Standard</b>	Professional Series™ 8.50-8.75 Gross Torque†	796495		
	<b>Lo-Tone™</b>	4.0 Gross HP Vanguard™ engines OHV Horizontal engines	715487		
	<b>Lo-Tone™</b>	5.5 & 6.0 Gross HP Vanguard™ engines OHV Horizontal engines	715435		
	<b>Super Lo-Tone™</b>	12.5, 16, 18 Gross HP† Vanguard™ V-Twin Horizontal	690931		
	<b>Super Lo-Tone™</b>	Horizontal Vanguard™ V-Twin 29, 30, 35 High Mount (Oil Filter Side Outlet)	807799		
	<b>Super Lo-Tone™</b>	Horizontal Vanguard™ V-Twin 29, 30, 35 High Mount (Starter Side Outlet)	807831		
	<b>Muffler</b>	Model 118400	711239		

† All power levels are stated gross torque at 2600 rpm per SAE J1940.  
‡ All power levels are stated gross HP at 3600 rpm per SAE J1940.




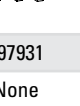
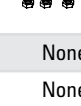



# 3-4 MUFFLER DEFLECTORS - SPARK ARRESTERS



	<b>Muffler</b>	Model 543400 & 613100	841680		
	<b>Muffler</b>	Model 50032	715948		
	<b>Muffler</b>	Model 543400 & 613400	843741		
	<b>Muffler</b>	Model 543400 & 613100	809983		
	<b>Muffler</b>	Model 124600 Outboard Engine	699769		

The items listed below are for use on the engine series shown, when equipped with mufflers designed for use with either a deflector or spark arrester.

	Side Out	Side Out 2	Direct Out	Louvered	Louvered	Spark Arrester
						
60000, 80000, 90000, 94200, 100000, 110000, 120000	393760		397931	None	396548	398067
99700	None		None	None	None	
*85400, 115400, 117400, 138400, 185400, 110400		None	None	None	715491	
130000, 170000			395700	393758	None	399541
190000						817483
93400, 133400, 134400, 121S00, 121Q00		692010	None	None	None	690813
250000						817483
280000			396903	795038	None	794945
311700			396903	795038	None	794945
400000, 420000			396903	795038	None	794945
290000, 300000, 311700, 350000			396903	795038	None	794945
83100	797352					
50000, 85400, 86400, 115400, 117400, 138400, 185400	715230					











# FUEL FILTERS - LINE CLAMPS 4-1

					
	<b>Fuel Filter</b>	40 Micron (For Selected Engines w/ Fuel Pump, See-through)	691035	5065	4129 Qty. 5
	<b>Fuel Filter Assembly</b>	Fuel Filter 394358S (75 Micron)	394358S	5098	4112 Qty. 5  394358B Qty. 100
	<b>Fuel Filter</b>	150 Micron (For Engines without Fuel Pump)	298090S	5018	4105 Qty. 5
	<b>Fuel Filter</b>	Vanguard™ V-Twins, Horizontal w/9 Quart Fuel Tank	808116S		
	<b>Fuel Filter</b>	20 Micron	845125		4266 Qty. 5
	<b>Fuel Strainer</b>	"In Tank" Strainer for 4, 5.5 & 9 Gross HP† Vanguard™ and Models 85400, 115400 & 18540. For Models 190000, 235400, 245400 & V-Twin Engines w/9-Quart Fuel	710065 691370		
	<b>Fuel Line Display Pack</b>	(Replaces 395051 and 499472) - 25', ¼" ID x 7/16" OD Universal Fit (Not for low perm applications) Cut to Fit 499742 Refill for Display Pack (25')	395051R		
	<b>Fuel Filter</b>	3/LC Gas	821026		
	<b>Extended Life Series™ Fuel Filter</b>	30 Micron (For Selected Engines w/Fuel Pump)	695666		

† All power levels are stated gross torque at 2600 rpm per SAE J1940.  
‡ All power levels are stated gross HP at 3600 rpm per SAE J1940.












# 4-2 FUEL LINES - SHUT-OFF VALVES



	<p><b>Fuel Line Clamp</b></p>			<p><b>710075 ID 10.5 mm .413"</b>                  4228 Qty. 100                  4262 Qty. 50  <b>691038 Black ID .460"</b>                  4230 Qty. 100                  4264 Qty. 50  <b>791850 Green ID .490"</b>                  4229 Qty. 100                  4263 Qty 50                  4171 Qty. 5  <b>710067 ID 13.2mm .519"</b></p>	
	<p><b>Fuel Filter</b></p>	<p>Glass Sediment Bowl                  Fuel Filter Assembly</p>	<p>690612</p>		
	<p><b>Fuel Line</b></p>	<p>3.5 &amp; 5 Gross HP<sup>†</sup> Industrial Plus™                  (Molded)</p>	<p>791857</p>		
	<p><b>Fuel Line</b></p>	<p>4, 5.5 &amp; 9 Gross HP<sup>†</sup> Vanguard™ (Shut-off Valve to Tank)                  4 mm OD x 220 mm (8-5/8") Cut to Fit</p>	<p>716122</p>		
	<p><b>Fuel Line</b></p>	<p>23" (1/2" OD x 1/4" IN)                  Cut to Fit</p>	<p>791745</p>		
	<p><b>Fuel Shut-off Valve</b></p>	<p>Selected Models</p>	<p>698182</p>		
	<p><b>Fuel Shut-off Valve</b></p>	<p>6.5 Gross HP<sup>†</sup> Vanguard™</p>	<p>798634</p>		
	<p><b>Fuel Shut-off Valve</b></p>	<p>In-Line Valve                  (Quantum® &amp; Selected Models)</p>	<p>698183</p>	<p>5091</p>	
	<p><b>Fuel Shut-off Valve</b></p>	<p>3.5 &amp; 5 Gross HP<sup>†</sup> Industrial Plus™                  90 Degree Valve</p>	<p>698181</p>		
	<p><b>Fuel Shut-off Valve</b></p>	<p>4, 5.5 &amp; 9 Gross HP<sup>†</sup> Vanguard™</p>	<p>716111</p>		

# FUEL TANK CAPS 4-3



	<b>Fuel Shut-off Valve</b>	625-675 Series™ For Quantum® Engines	698180		
	<b>Tygon® Bulk Fuel Line</b>		695540 3/32" ID, 50' 695541 1/8" ID, 50' 695542 .080" ID, 50'		
	<b>Fuel Shut-off Valve</b>	For Vanguard™ Engines 2.4 Gross HP†	715901		
	<b>Fuel Tank Cap</b>	4-11 Gross HP†	394818S		
	<b>Fuel Tank Cap</b>	135200 & 136200 Horizontal Series/ Selected Models	498156		
	<b>Fuel Tank Cap</b>	5-11 & 13 Gross HP† Horizontal	791545		
	<b>Fuel Tank Cap</b>	2-4 Gross HP† Horizontal & Vertical, Quattro™	493982S		
	<b>Fuel Tank Cap</b>	6 Gross HP† Intek™	792647		
	<b>Fuel Tank Cap</b>	3-5 Gross HP† Horizontal, Selected Models	494559		
	<b>Fuel Tank Cap</b>	4, 5.5 & 9 Gross HP† Vanguard™	710490		
	<b>Fuel Tank Cap</b>	Vanguard™ OHV (10 & 16 CID) & V-Twins	491367S		

† All power levels are stated gross torque at 2600 rpm per SAE J1940.  
‡ All power levels are stated gross HP at 3600 rpm per SAE J1940.

# 4-4 FUEL TANK CAPS



	<b>Fuel Tank Cap</b>	625-675 Series™ & 700-800 Series™, Intek™ Model Series 121600 Vertical 3.5-6.75 Gross HP† Vertical Max, Quantum® & Europa™	692046	5044	4227 Qty. 5
	<b>Fuel Tank Cap</b>	Fource™	696921		
	<b>Fuel Tank Cap</b>	134400 L-Head, 7-12.5 Gross HP† Vertical, 3.5, 5 & 9 Gross HP† Industrial Plus™ & 5.5 Gross HP† Intek™ & 8 Gross HP†, 197400, 110400, 121400	795027		
	<b>Fuel Tank Cap</b>	450-600 Series™, 3.5 & 3.75 Gross HP† Classic™ & Sprint™ and 4 Gross HP† Quattro™	497929S	5057	4132 Qty. 5
	<b>Fuel Tank Cap</b>	Quantum® Engines	794793		
	<b>Gas Cap</b>	400 & 500 Series™ (9000 & 10,000) L-Head engines	792878		
	<b>Fuel Tank Cap</b>	Professional Series™ 8.50-8.75 Gross Torque†	796577		

# ARMATURES - CONDENSERS - BREAKERS 5-1

## ARMATURES



Engine Model/Gross Horsepower <sup>†</sup>	Style	Red Box #
2-4 Gross HP <sup>‡</sup> Horizontal & Vertical	Breaker Points	793281
5 Gross HP <sup>‡</sup> Horizontal & Vertical	Breaker Points	397358
7-16 Gross HP <sup>‡</sup> Horizontal & Vertical Single Cylinder	Breaker Points	298968
L-Head Twins	Breaker Points	394891
2-4 Gross HP <sup>‡</sup> Horizontal & Vertical	Magnetron®	793281
Quantum® (10 CID), Series™ 625-675	Magnetron®	490748
5 Gross HP <sup>‡</sup> Horizontal & Vertical, Series™ 550	Magnetron®	397358
7-16 Gross HP <sup>‡</sup> Horizontal & Vertical Single Cylinder	Magnetron®	398811
13, 14 & 15 Gross HP <sup>‡</sup> (28 CID) OHV Vertical	Magnetron®	492341
L-Head Twins	Magnetron®	394891
2-Cycle, Quantum® (12 CID) & Europa™ (9 CID)	Magnetron®	802574
4, 5.5 & 6 Gross HP <sup>‡</sup> Vanguard™ (8 & 11 CID)	Magnetron®	715023
5 Gross HP <sup>‡</sup> Vanguard™ Vertical (10 CID)	Magnetron®	802574
9 Gross HP <sup>‡</sup> Vanguard™ (18 CID)	Magnetron®	715118
9, 12.5 & 14 Gross HP <sup>‡</sup> Vanguard™ (V-Twin 2 used)	Magnetron®	492341
10-13 Gross HP <sup>‡</sup> (28 CID) L-Head	Magnetron®	492341
11 & 13 Gross HP <sup>‡</sup> Vanguard™ Horizontal	Magnetron®	492341
6 Gross HP <sup>‡</sup> Intek™ Vertical (12 CID)	Magnetron®	802574
5.5-6.5 Gross HP <sup>‡</sup> Intek™ (11 & 12 CID), Series™ 825-850	Magnetron®	802574
Vanguard™ V-Twin	Magnetron®	492341
Intek™ v V-Twin	Magnetron®	691060
3/LC Ignition Coil (3 used)		820037
6.5 Gross HP <sup>‡</sup> Vanguard™	Magnetron®	796964
5.50 Gross Torque <sup>†</sup> , 550 Series™	Magnetron®	797684
5-7 Gross HP <sup>‡</sup> 2 Cylinder Snow Engines	Magnetron®	801268
2.4 Gross HP <sup>‡</sup> Vanguard™	Magnetron®	711526
7.00 Gross Torque <sup>†</sup> , 700 Series™	Magnetron®	793449

## CONDENSERS - BREAKERS



## CONDENSERS - BREAKER ASSEMBLY



Engine Model	Condensers	Breakers
8-16 Gross HP <sup>‡</sup> Horizontal Cast Iron Models	298060	298185
10 & 11 Gross HP <sup>‡</sup> Horizontal & Vertical	29861	391284
Twin Cylinder L-Head Engines	392912	394891

Engine Model	Red Box #	Display Parts #
2-8 Gross HP <sup>‡</sup> Horizontal & Vertical	294628	
2-8 Gross HP <sup>‡</sup> Horizontal & Vertical (w/Plug & Plunger)		

<sup>†</sup> All power levels are stated gross torque at 2600 rpm per SAE J1940.  
<sup>‡</sup> All power levels are stated gross HP at 3600 rpm per SAE J1940.










# 5-2 FLYWHEEL KEYS - SPARK PLUGS



	<b>Ignition Point Plunger</b>	2-11 Gross HP <sup>†</sup> horizontal & vertical	65704S		
	<b>Ignition Point Plunger</b>	9-16 Gross HP <sup>†</sup> horizontal cast iron models	298125S		
	<b>Ignition Cable Terminal</b>	Selected engines	493880S		
	<b>Magnetron<sup>®</sup> Kit</b>	Used to retrofit most 2-legged ignition armatures w/breaker points	394970		
	<b>Flywheel Key</b>	4, 5.5, 6 & 9 HP <sup>‡</sup> Vanguard™	710037		
	<b>Flywheel Key</b>	2-Cycle (9 CID)	800036		
	<b>Flywheel Key</b>	All V-Twin Vanguard™	808095		
	<b>Flywheel Key</b>	Most engines	222698S		4181 Qty. 10 4144 Qty. 50
	<b>RC14YC, RC12YC Spark Plug</b>	Selected engines	496018S		496018T Qty. 500
	<b>RC12YC Spark Plug</b>	Selected engines - 3/LC gas	491055S (.030 gap)		491055T Qty. 500
	<b>RJ19LM Spark Plug</b>	Selected engines	796112S		796112 Qty 300

# SPARK PLUG ELBOWS 5-3



	<b>Extended Life Series™ Platinum Spark Plug</b>	Selected L-head engines Extended Life Series™ version of 802592S/5095K	796560		4175 Qty. 24
	<b>Extended Life Series™ Platinum Spark Plug</b>	Selected OHV engines Extended Life Series™ version of 496018S/5092K	696202		4173 Qty. 24
	<b>BPRGHS Spark Plug</b>	Models 118400 & 050000	711252		
	<b>QC12YC Spark Plug</b>	Selected engines	691043		
	<b>Spark Plug</b>	Model 9 OHV vertical	692051		
	<b>RJ19LMC Spark Plug</b>	625e, 625ex, 725ex Series™, 625-675 Series™ and Quantum™ 3.5-6.75 Gross HP† engines	591868		
	<b>Spark Plug Elbow</b>	Most engines	66538S		
	<b>Spark Plug Elbow</b>	4, 5.5 & 9 Gross HP‡ Vanguard™	710634		
	<b>Spark Plug Elbow</b>	3/LC gas	820084		

† All power levels are stated gross torque at 2600 rpm per SAE J1940.  
‡ All power levels are stated gross HP at 3600 rpm per SAE J1940.



# 5-4 IGNITION SWITCHES

	Part #	Description
	298590	Toggle switch
	692303	Push button starter switch
	496590	Toggle switch
	691959	Indak ignition key set for 690646
	392833	Key switch for key 691959
	692318	Key switch assembly - used on engines equipped w/carburetor solenoid
	697854	Rocker switch (with light) Note: Rocker switch without light is 795333
	695747	Key switch used on selected snow engines
	794696	Key used on selected snow engines
	690646	Key switch
	695951	Touch-N-Mow® Key
	798182	Key switch for 2 cyl snow engine
	798177	Key set for 2 cyl snow engine
	495098S	Stop switch

# CONNECTING RODS 6-1



Model Series/Horsepower†	Crankshaft Direction	Con. Rod Part #
450-475 Series™, 3-3.75 Gross HP‡	Vertical	699655
475-525 Series™, 3-3.5 Gross HP‡	Horizontal	699655
5 Gross HP‡	Horizontal	299430
1100 Series™, 8 Gross HP‡	Horizontal	390401
17 Gross HP‡ Twin Opposed	Vertical	394306
1550 Series™, 11-15 Gross HP‡	Horizontal/Vertical	490348
3.5 & 4 Gross HP‡ Max Series, 3.5-6 Gross HP‡ Quantum® (12 CID), Prior to 97011300 Date Code	Vertical	490566
20 Gross HP‡ Opposed Twin	Vertical	498314
6 Gross HP‡ Intek™, 122K00, 121600, 123K00	Horizontal	590406
201400, 202400, 203400, 20A400, 204400, 205400, 2006400, 20D400, 20F400, 210400	Horizontal	694691
285H00, 31G700	Vertical	794122
21B900	Vertical	791633
28CH00, 31L700	Vertical	794571
5.5 & 6 Gross HP‡ Vanguard™ (11 CID)	Horizontal	715011
4 Gross HP‡ Vanguard™ OHV (8 CID)	Horizontal	715055
9 Gross HP‡ Vanguard™ OHV (18 CID) 185400	Horizontal	715106
11 & 13 Gross HP‡ Vanguard™ OHV Single Cylinder 235400, 245400	Horizontal	715345
138400	Horizontal	715427
118400	Horizontal	715847
Vanguard™ OHV V-Twin 381400, 380400, 380700	Horizontal/Vertical	844009
3/LC Gas	Horizontal	825761
500 Series™, 4 Gross HP‡ Quattro™	Vertical	699654
Vanguard™ OHV V-Twin 303400, 350400, 303700, 350700, 351700	Horizontal/Vertical	807900S
550 Series™, 5.5 Gross Torque‡	Horizontal	797221
5-6.5 Gross HP‡ Snow Engine	Horizontal/Vertical	801277

† All power levels are stated gross torque at 2600 rpm per SAE J1940.  
‡ All power levels are stated gross HP at 3600 rpm per SAE J1940.

# 6-2 CONNECTING RODS - AIR CLEANER GASKETS



	<b>Connecting Rod</b>	17 Gross HP <sup>†</sup> Twin Opposed Vertical	394306		
	<b>Connecting Rod</b>	Vanguard™ OHV V-Twin 303400, 350400, 303700, 350700, 351700 Horizontal/Vertical	807900S		
	<b>Connecting Rod</b>	20 Gross HP <sup>†</sup> Opposed Twin Vertical	498314		
	<b>Connecting Rod</b>	3/LC Gas Horizontal	825761		
	<b>Connecting Rod</b>	6 Gross HP <sup>†</sup> Intek™, 122K00, 121600, 123K00 Horizontal	590406		
	<b>Air Cleaner Gasket</b>	3 & 5 Gross HP <sup>†</sup> Industrial Plus™ 5 & 6 Gross HP <sup>†</sup> (11 & 12 CID) Intek™	272948S		
	<b>Air Cleaner Gasket</b>	625-675 Series™, Quantum® Series (12 CID) with Primer	795629		4156 Qty. 5
	<b>Air Cleaner Gasket</b>	7 & 8 Gross HP <sup>†</sup> Horizontal	27907		
	<b>Air Cleaner Gasket</b>	7 & 8 Gross HP <sup>†</sup> Vertical	270539		
	<b>Air Cleaner Gasket</b>	3-5 Gross HP <sup>†</sup> (Gasket Material)	271139S		
	<b>Air Cleaner Gasket</b>	9 Gross HP <sup>†</sup> (18 CID) Vanguard™	710235		

# AIR CLEANER GASKETS 6-3



Engine Parts












Internal Parts

	<b>Air Cleaner Gasket</b>	11 & 13 Gross HP <sup>†</sup> Horizontal Vanguard™	710557		
	<b>Air Cleaner Gasket</b>	17 Gross HP <sup>†</sup> Horizontal Twin Opposed Pressure Lube	690273		
	<b>Air Cleaner Gasket</b>	7-11 Gross HP <sup>†</sup> Horizontal with Flat Pleated Air Filter	692277		
	<b>Air Cleaner Gasket</b>	4 Gross HP (8 CID) Vanguard™	710109		
	<b>Air Cleaner Gasket</b>	2-5 Gross HP <sup>†</sup> Horizontal	271935S		
	<b>Air Cleaner Gasket</b>	Vanguard™ 6.5 Gross HP <sup>†</sup>	798508		
	<b>Air Cleaner Gasket</b>	550 Series™ 5.5 Gross Torque <sup>‡</sup>	797282		
	<b>Air Cleaner Gasket</b>	6 Gross HP Intek™ High Mount A/C	693458		
	<b>Air Cleaner Gasket</b>	Fource™	696867		
	<b>Air Cleaner Gasket</b>	3.5 & 4 Gross HP <sup>†</sup> Max & Quantum® Series with Choke	272296		
	<b>Air Cleaner Gasket</b>	Professional Series™ 8.5-8.75 Gross Torque <sup>‡</sup>	691894		





<sup>†</sup> All power levels are stated gross torque at 2600 rpm per SAE J1940.  
<sup>‡</sup> All power levels are stated gross HP at 3600 rpm per SAE J1940.

# 6-4 AIR CLEANER GASKETS - CARBURETOR BOWL



	<b>Air Cleaner Gasket</b>	Vanguard™ 6.5 Gross HP†	798509		
	<b>Air Cleaner Gasket</b>	300e, 450, 500, 550, 575, and 625ex Series™	799580		
	<b>Air Cleaner Gasket</b>	750 and 950 Series™	590605		
	<b>Carburetor Bowl Gasket</b>	20 Gross HP† Opposed Twin After Code Date 96102000	273186S		
	<b>Carburetor Bowl Gasket</b>	6 Gross HP† Intek™ 5-7 Gross HP† 2 Cylinder Snow Engines, metal carb after date code 06060700	693981		
	<b>Carburetor Bowl Gasket</b>	BOWL-FLOAT 625-675 Series, Quantum® (12 CID) (Carburetor Bowl & Gasket Kit)	796611		
	<b>Carburetor Bowl Gasket</b>	5 Gross HP† Vertical Vanguard™ OHV	272188		
	<b>Carburetor Bowl Gasket</b>	7-11 Gross HP† Horizontal with Bowl Type Carburetor & 8.0-13.0 Gross HP† Vertical with Bowl Type Carburetor	281165S		4202 Qty. 5
	<b>Carburetor Bowl Gasket</b>	7-12 Gross HP† Vertical	270511		4169 Qty. 5
	<b>Carburetor Bowl Gasket</b>	Professional Series™ 8.50 and 8.75 Gross Torque†	796610		
	<b>Carburetor Bowl Gasket</b>	Vanguard™ 6.5 Gross HP†	798522		

# CARBURETOR TO CYLINDER GASKETS 6-5






	<b>Carburetor to Cylinder</b>	4 Gross HP <sup>†</sup> (11 CID) Vertical	270844		
	<b>Carburetor to Cylinder</b>	3.5 & 5.5 Gross HP <sup>†</sup> Horizontal, 94200 Series (Including 136200 Series)	273113S		4200 Qty. 5
	<b>Carburetor to Cylinder</b>	10 & 11 Gross HP <sup>†</sup> Horizontal	498869		
	<b>Carburetor to Cylinder</b>	3 & 3.5 Gross HP Horizontal	270345S		
	<b>Carburetor to Cylinder</b>	13, 14 & 15 Gross HP <sup>†</sup> (28 CID) Vertical	272569S		
	<b>Carburetor to Cylinder</b>	2-5 Gross HP <sup>†</sup> Horizontal	27355S		4160 Qty. 10
	<b>Intake Gasket</b>	550 Series™, 5.5 Gross Torque <sup>†</sup>	797280		
	<b>Intake Gasket</b>	550 Series™, 5.5 Gross Torque <sup>†</sup>	797192		
	<b>Cylinder Gasket</b>	Vanguard™ 6.5 Gross HP <sup>†</sup>	798511		
	<b>Carburetor to Cylinder</b>	7 & 8 Gross HP <sup>†</sup> Horizontal	27828S		
	<b>Carburetor to Cylinder</b>	625- 675 Series™ Quantum® (12 CID)	272199S		

† All power levels are stated gross torque at 2600 rpm per SAE J1940.  
 ‡ All power levels are stated gross HP at 3600 rpm per SAE J1940.

# 6-6 CYLINDER GASKETS

	<b>Carburetor to Cylinder</b>	7, 8, 10, 10.5, 11.5, 12.5 & 13 Gross HP† Horizontal & Vertical	272554S		
	<b>Carburetor to Cylinder</b>	9-16 Gross HP† Horizontal Cast Iron	27381S		
	<b>Carburetor to Cylinder</b>	6 Gross HP† Intek™	692555		
	<b>Intake Gasket</b>	2.4 Gross HP† Vanguard™	711499		
	<b>Carburetor to Cylinder</b>	4-6 Gross HP‡ (8 & 11 CID) Vanguard™	710060		
	<b>Carburetor to Cylinder</b>	9 Gross HP‡ (18 CID) Vanguard™	710237		
	<b>Carburetor to Cylinder</b>	11 & 13 Gross HP‡ Vanguard™ Horizontal (2 used)	710559		
	<b>Carburetor to Cylinder</b>	460700 Series Twin Opposed	692278		
	<b>Carburetor to Cylinder Gasket</b>	Fource™	696868		
	<b>Choke Link Cover</b>	3-4 Gross HP† Vertical	270571		
	<b>Carburetor to Gas Tank</b>	2 & 3 Gross HP† Horizontal (Vacu-Jet)	27404		

# CARB TO GAS - BREATHER - HEAD GASKETS 6-7

	<b>Carburetor to Gas Tank</b>	Carburetor Diaphragm 3-3.75 Gross HP <sup>†</sup> Vertical (Pulsa Prime) Gasket w/Diaphragm	795083	5083	
	<b>Carburetor to Gas Tank</b>	3-5 Gross HP <sup>†</sup> Horizontal (Pulsa Jet)	272996		4172 Qty. 5
	<b>Carburetor to Gas Tank</b>	3-5 Gross HP <sup>†</sup> Horizontal (Pulsa Jet)	272409S		4179 Qty. 10
	<b>Carburetor to Gas Tank</b>	5 Gross HP <sup>†</sup> Vertical (Pulsa Jet)	270073		
	<b>Carburetor to Gas Tank</b>	94200 Series	692241		4158 Qty. 10
	<b>Carburetor to Intake</b>	3/LC Gas, 437400, 587400	820385		
	<b>Breather Gasket</b>	2-7 Gross HP <sup>†</sup> L-Head, Horizontal & Vertical	27803S		
	<b>Breather Gasket</b>	2-5 Gross HP <sup>†</sup> Horizontal	27549S		4159 Qty. 10
	<b>Breather Gasket</b>	3-4 Gross HP <sup>†</sup> Vertical	695890		
	<b>Head Gasket</b>	Fource™	696865		
	<b>Head Gasket</b>	2-3.5 Gross HP <sup>†</sup> Horizontal	272167		












† All power levels are stated gross torque at 2600 rpm per SAE J1940.  
‡ All power levels are stated gross HP at 3600 rpm per SAE J1940.



# 6-8 HEAD GASKETS












	<b>Head Gasket</b>	9D900 Series	698717	4123 Qty. 5
	<b>Head Gasket</b>	5 Gross HP <sup>†</sup> Horizontal & Vertical	272157S	4120 Qty. 5
	<b>Head Gasket</b>	Quantum <sup>®</sup> (12 CID)	272200S	4122 Qty. 5
	<b>Head Gasket</b>	13, 14 & 15 Gross HP <sup>†</sup> (25 CID) 15.5 Gross HP <sup>†</sup> Intek™ OHV Vertical	273280S	
	<b>Head Gasket</b>	625-675 Series™, Quantum <sup>®</sup> (12 CID) 12A, 12B, 12C etc.	692249	
	<b>Head Gasket</b>	7 & 8 Gross HP <sup>†</sup> Horizontal & Vertical	272163S	4121 Qty. 5
	<b>Head Gasket</b>	10, 10.5, 11, 12, 13 & 13.5 Gross HP <sup>†</sup> Horizontal & Vertical	271866S	4125 Qty. 5
	<b>Head Gasket</b>	All L-Head Twins (Cylinder #1)	271867S	
	<b>Head Gasket</b>	All L-Head Twins (Cylinder #2)	271868S	
	<b>Head Gasket</b>	4 Gross HP <sup>†</sup> (8 CID) Vanguard™	710137	
	<b>Head Gasket</b>	5.5 Gross HP <sup>†</sup> (11 CID) Vanguard™	710021	

# HEAD GASKETS 6-9

	<b>Head Gasket</b>	9 Gross HP <sup>†</sup> (18 CID) Vanguard™	710205		
	<b>Head Gasket</b>	11 & 13 Gross HP <sup>†</sup> Vanguard™ Horizontal	710539		
	<b>Head Gasket</b>	12.5-16 HP <sup>†</sup> Vanguard™ V-Twin Horizontal & Vertical (2 used)	807986		
	<b>Head Gasket</b>	5-7 Gross HP <sup>†</sup> 2 Cylinder Snow Engines	801263		
	<b>Head Gasket</b>	6.5 Gross HP <sup>†</sup> Vanguard™	798461		
	<b>Head Gasket</b>	18 & 20 Gross HP <sup>†</sup> Vanguard™ V-Twin Horizontal & Vertical (2 used)	805653S		
	<b>Head Gasket</b>	18 & 20 Gross HP <sup>†</sup> Vanguard™ V-Twin after Date Code 96033100	690888		
	<b>Head Gasket</b>	6 Gross HP <sup>†</sup> Intek™	697230		
	<b>Head Gasket</b>	12.5 & 16 Gross HP <sup>†</sup> Vanguard™ V-Twin Vertical after Date Code 96033100	806085S		
	<b>Head Gasket</b>	6 Gross HP Intek™	697230		
	<b>Head Gasket</b>	12.5 & 16 Gross HP <sup>†</sup> Vanguard™ V-Twin Vertical	806085S		

† All power levels are stated gross torque at 2600 rpm per SAE J1940.  
‡ All power levels are stated gross HP at 3600 rpm per SAE J1940.

# 6-10 HEAD GASKETS - OIL GARD GASKETS


	<b>Head Gasket</b>	2.4 Gross HP Vanguard™	711489		
	<b>Head Gasket</b>	950e and 1000 Series™	799275		
	<b>Head Gasket</b>	300e, 450, 500, 550 and 575 Series™	799586		
	<b>Head Gasket</b>	Quantum® 700 Series™	799874		
	<b>Head Gasket</b>	Quantum® 600, 625, 650, 675, 700, and 725 Series™	799875		
	<b>Head Gasket</b>	950 Series™	591445		
	<b>Head Gasket</b>	750 Series™	590606		
	<b>Head Gasket</b>	625 Series™	592358		
	<b>Oil Gard Gasket</b>	Selected Models Equipped with Oil Gard	273326S		
	<b>Valve Cover Gasket</b>	Used as a Breather Gasket for Europa™ OHV (9 CID) & Valve Cover Gasket for Quantum® (12 CID) & Intek™ (11 & 12 CID)	699833		
	<b>Valve Cover Gasket</b>	Europa™ (9 CID).	272323		

# VALVE COVER GASKETS 6-11

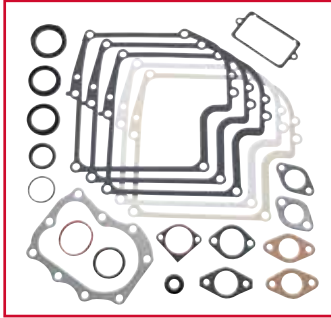
	<b>Valve Cover Gasket</b>	4 & 5.5 Gross HP <sup>†</sup> (8 & 11 CID) Vanguard™	710024		
	<b>Valve Cover Gasket</b>	5 Gross HP <sup>†</sup> (10 CID) Vanguard™ Vertical	272131		
	<b>Valve Cover Gasket</b>	9 Gross HP <sup>†</sup> (16 CID) Vanguard™	272063		
	<b>Valve Cover Gasket</b>	9 Gross HP <sup>†</sup> (18 CID) Vanguard™	710206		
	<b>Valve Cover Gasket</b>	11 & 13 Gross HP <sup>†</sup> Vanguard™ Horizontal	710377		
	<b>Valve Cover Gasket</b>	12.5 & 14 Gross HP <sup>†</sup> (26 CID) Vanguard™ Vertical	272010		
	<b>Valve Cover Gasket</b>	4 OZ. 12.5 & 20 Gross HP <sup>†</sup> Vanguard™ V-Twin Horizontal & Vertical	806039S		
	<b>Valve Cover Gasket</b>	13, 14 & 15 Gross HP <sup>†</sup> (28 CID) OHV Vertical	272475S		
	<b>Valve Cover Gasket</b>	Used on 3/LC	820150		
	<b>Valve Cover Gasket</b>	550 Series™, 5.5 Gross Torque <sup>‡</sup>	797194		
	<b>Valve Cover Gasket</b>	6.5 Gross HP <sup>†</sup> Vanguard™	691890		

<sup>†</sup> All power levels are stated gross torque at 2600 rpm per SAE J1940.  
<sup>‡</sup> All power levels are stated gross HP at 3600 rpm per SAE J1940.

# 6-12 VALVE COVER GASKETS

	<b>Valve Cover Gasket</b>	2.4 Gross HP <sup>†</sup> Vanguard™	711490		
	<b>Exhaust Gasket</b>	2.4 Gross HP <sup>†</sup> Vanguard™	711542		
	<b>Exhaust Gasket</b>	2.4 Gross HP <sup>†</sup> Vanguard™	711244		
	<b>Exhaust Gasket</b>	6.5 Gross HP <sup>†</sup> Vanguard™	798516		

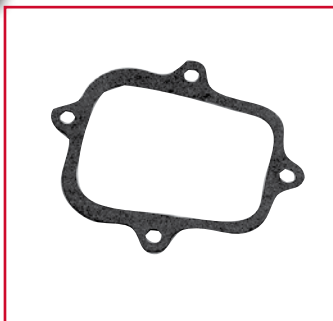
# ENGINE GASKET SETS 6-13



Model Series/Horsepower <sup>†</sup>	Crankshaft Direction	Gasket Set Part #
450-475 Series™, 3-3.75 Gross HP <sup>‡</sup>	Vertical	590777
875 Series™, 7 Gross HP <sup>‡</sup>	Vertical	299577
1100 Series™, 8 Gross HP <sup>‡</sup>	Horizontal	299577
10, 10.5, 11.5, 12.5, & 13 Gross HP <sup>‡</sup> (28 CID)	Vertical	494241
450 Series™, 2-3.5 Gross HP <sup>‡</sup>	Vertical	495602
5 Gross HP <sup>‡</sup>	Horizontal	495603
5 Gross HP <sup>‡</sup>	Industrial Plus™	495661
4220000, 461000	Horizontal	495868
13, 14, 15 Gross HP <sup>‡</sup> (28 CID) OHV	Vertical	495993
Quantum® (12 CID)	Vertical	496117
1450-1550 Series™, 10 & 11 Gross HP <sup>‡</sup>	Horizontal	497511
40H700	Vertical	694012
446700	Vertical	694012
121600, 122600, 12Y600	Vertical	795442
6 Gross HP <sup>‡</sup> Intek™ OHV, 121400, 123400, 12D400	Horizontal	698216
20A400, 201, 202, 203, 204, 205, 206400, 20D400, 20F400	Horizontal	695438
21B900, 285H00, 28CH00	Vertical	796181
31G700, 31L700	Vertical	796187
210400	Vertical	695438
4 & 4.5 Gross HP <sup>‡</sup> Vanguard™ OHV (8 & 11 CID)	Horizontal	715032
9 Gross HP <sup>‡</sup> (18 CID) 185400	Horizontal	715124
11 & 13 Gross HP <sup>‡</sup> Vanguard™ OHV 235400, 245400	Horizontal	715383
138400	Horizontal	715714
118400	Horizontal	716246
303400, 303700	Horizontal/Vertical	808390
380400, 380700, 371400	Horizontal/Vertical	842658
354000	Horizontal	808704
50000	Horizontal	715965
543400	Horizontal	841122
613100	Horizontal	841927
613400	Horizontal	841122
550 Series™, 5.5 Gross Torque <sup>†</sup>	Horizontal	591460
750 Series™	Horizontal	590748
450,500 Series™	Vertical	590777
600,625,650,675,700,725 Series™	Vertical	590508
Model 0831	Horizontal	591460

<sup>†</sup> All power levels are stated gross torque at 2600 rpm per SAE J1940.  
<sup>‡</sup> All power levels are stated gross HP at 3600 rpm per SAE J1940.

# 6-14 OVERHAUL GASKET SETS



Model Series /Horsepower	Crankshaft Direction	Gasket SetPart #
9 Gross HP <sup>†</sup> Vanguard™ OHV (6 CID)	Horizontal	495771
Model 28 OHV	Vertical	495992
Europa™ (9 CID)	Vertical	496056
3 & 3.5 Gross HP <sup>‡</sup> , 90200, 91200	Horizontal	495602
475-500 Series™, 3.75 & 4 Gross HP <sup>‡</sup>	Vertical	498526
Quantum® (12 CID), 122K00, 123K00	Vertical	498528
5 Gross HP <sup>‡</sup>	Horizontal	498529
5 Gross HP <sup>‡</sup> Industrial Plus™	Horizontal	498531
6 Gross HP <sup>‡</sup> (13 CID)	Vertical	498532
900-1100 Series™, 7 & 8 Gross HP <sup>‡</sup>	Horizontal	498533
8, 9 & 10 Gross HP <sup>‡</sup> Industrial Plus™	Horizontal	498534
8 & 8.5 Gross HP <sup>‡</sup>	Vertical	498536
1550 Series™, 10 & 11 Gross HP <sup>‡</sup> I/C®	Horizontal	498537
10 & 11 Industrial Plus™	Horizontal	498538
10-14 L-Head (28 CID)	Vertical	498539
16 Gross HP <sup>‡</sup> Cast Iron I/C®	Horizontal	498540
3.5 Gross HP <sup>‡</sup> , 92200 & 93200	Horizontal	699450
40H700	Vertical	694013
31G700, 31L700	Vertical	794152
21B900, 285H00, 28CH00	Vertical	796189
446700	Vertical	694013
121600, 122600, 12Y600	Vertical	795441
6 Gross HP <sup>‡</sup> Intek™, 121400, 123400, 12D400	Horizontal	791798
201400, 202400, 203400, 204400, 205400, 206400, 20D, 20F, 2104	Horizontal	695440
11 & 13 Gross HP <sup>‡</sup> Vanguard™ OHV, 235400, 245400	Horizontal	715386
138400	Horizontal	715483
9 Gross HP <sup>‡</sup> (18 CID) Vanguard™ OHV, 185400	Horizontal	715695
5.5 Gross HP <sup>‡</sup> (11 CID) Vanguard™ OHV	Horizontal/Vertical	715704
118400	Horizontal	715877
303400, 303700, 350400	Horizontal/Vertical	808392
050000	Horizontal	716238
543400	Horizontal	843713
613100	Horizontal	841927
613400	Horizontal	843713



Engine Type	Part # Single	Part # Bulk - Qty
2-5 Gross HP <sup>†</sup> Including Quantum <sup>®</sup> , Europa <sup>™</sup> and Intek <sup>™</sup>	299819S	
3-4 Gross HP <sup>†</sup> Vertical (PTO End), 450-500 Series <sup>™</sup>	391483S	4118 - Qty. 5
5 Gross HP <sup>†</sup> Industrial Plus <sup>™</sup> (PTO End)	495307S	
5 Gross HP <sup>†</sup> Vertical (PTO), 550 Series <sup>™</sup>	391485	
5 Gross HP <sup>†</sup> Horizontal (PTO)	393812	
6.5 Gross HP <sup>†</sup> Vanguard <sup>™</sup> (PTO End)	692550	
6.5 Gross HP <sup>†</sup> Vanguard <sup>™</sup> (Mag End)	299819S	
5.5 Gross HP <sup>†</sup> Intek <sup>™</sup> (PTO), 825 Series <sup>™</sup>	602550	
Quantum <sup>®</sup> (PTO End), 625-675 Series <sup>™</sup>	399781S	
5-8.5 Gross HP <sup>†</sup>	294606S	
7-15 Gross HP <sup>†</sup>	391086S	
10-15 Gross HP <sup>†</sup> (28 CID) Vertical (PTO End)	291675S	4115 - Qty. 5
93200	691356	
Quantum <sup>®</sup> Engines	691952	
Force <sup>™</sup>	696879	
4 Gross HP <sup>†</sup> (8 CID) Vanguard <sup>™</sup> (Mag End)	710103	
4 Gross HP <sup>†</sup> (8 CID) Vanguard <sup>™</sup> (PTO End)	710140	
5.5, 6 & 9 Gross HP <sup>†</sup> Vanguard <sup>™</sup> (Mag End)	710000	
5.5 Gross HP <sup>†</sup> (11 CID) Vanguard <sup>™</sup> (PTO End)	712070	
Model 138400	710215	
9 Gross HP <sup>†</sup> (18 CID) Vanguard <sup>™</sup> (PTO End)	710215	
5.50 Torque <sup>‡</sup> , 550 Series <sup>™</sup> (PTO End)	797330	
5.50 Torque <sup>‡</sup> , 550 Series <sup>™</sup> (Mag End)	797329	
5.0-7.0 Gross HP <sup>†</sup> 2 Cyl. Snow Engines (PTO end)	801261	
5.0-7.0 Gross HP <sup>†</sup> 2 Cyl. Snow Engines (Mag end)	801262	
All V-Twin Vanguard <sup>™</sup> Horizontal & Vertical (Mag End)	805101S	
All V-Twin Vanguard <sup>™</sup> Horizontal & Vertical (PTO End)	805049S	
Dipstick Tube Seal 9 Gross HP <sup>†</sup> (18 CID) Vanguard <sup>™</sup>	710394	
2.4 Gross HP <sup>†</sup> Vanguard <sup>™</sup> (Mag/PTO)	711520	
210000/310000/400000/440000	795387	
522400/584400	821326	
522400/584400	821328	
543400 (Mag/PTO)	841596	
613100 (Mag/PTO)	841596	
613400 (Mag/PTO)	841596	

<sup>†</sup> All power levels are stated gross torque at 2600 rpm per SAE J1940.  
<sup>‡</sup> All power levels are stated gross HP at 3600 rpm per SAE J1940.







# 7-2 OIL FILTERS - MISCELLANEOUS



	<b>Oil Filter</b>	Height 3-3/8" For pressure lubrication For 3/LC Gas	491056		4153 Qty. 12
	<b>Oil Filter</b>	Height 2-1/4" (smaller version of 491056), For Extended Life Series™ version use 696854/5076K/4206	492932S	5049	4154 Qty. 12
	<b>Extended Life Series™ Oil Filter</b>	Extended Life Series™ version of 492932S/5049K/4154	696854	5076	4206 Qty. 12
	<b>Oil Filter</b>	3/LC Gas & Diesel	820314		
	<b>Oil Filter Intek™ Pro</b>	Selected models pressure lubrication	692513		
	<b>Oil Gard Kit</b>	9 Gross HP† Vanguard™ engines	492697		
	<b>Oil Fill Plug</b>	Selected engines with angled oil fill neck	281658S		
	<b>Oil Fill Cap</b>	3/LC	825024		
	<b>Dipstick Tube Seal</b>	12 & 13 Gross HP† (28 CID) Vertical & Vanguard™ V-Twin Horizontal engines, 7 & 11 Gross HP† Horizontal engines	281370S		4203 Qty. 5
	<b>Oil Gard Kit</b>	5-11 Gross HP† Horizontal engines	398182		
	<b>Oil Filter</b>	BIG BLOCK™ engines	842921		4237 Qty. 12,  MEGA PACK - 842921B Qty. 60

# OIL FILTERS - MISCELLANEOUS 7-3



	<b>Oil Filter</b>	Professional Series™ 8.50 & 8.75 gross torque†	795990		
	<b>Oil Filter</b>	Models: 31Q000, 400000, 440000, 490000	798576		
	<b>Dipstick/Fill Plug</b>	Vanguard™ 13H300 6.5 Gross HP‡	798503		
	<b>Dipstick/Fill Plug</b>	83100 550 Series™ 5.5 Torque†	797325		

† All power levels are stated gross torque at 2600 rpm per SAE J1940.  
‡ All power levels are stated gross HP at 3600 rpm per SAE J1940.

# BRIGGS & STRATTON MAKES IT **EASY** FOR DEALERS TO **SUCCEED.**



## ► **Genuine Parts**

Stock up on Briggs & Stratton® Genuine Parts for happy, loyal customers and watch your profits grow.

## ► **Pre-Season Program**

Briggs & Stratton products at the best prices of the year means the deepest savings for you.

## ► **Diamond Dealer® Program**

Diamond Dealers® can take advantage of special offers and exclusive programs from Briggs & Stratton.

## ► **Robust Online Training**

Briggs & Stratton provides the most up-to-date educational training at the click of your mouse.

**Easy to use, easy to trust.**



Contact your IDN representative for more product information.

# STARTER - MISCELLANEOUS 8-1












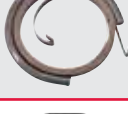


	<b>Electric Starter Drive Kit</b>	Old style electric starter with roll pin	696540		
	<b>Electric Starter Drive Kit</b>	New style electric starter with "C" ring retainer	696541		
	<b>Electric Starter Drive Kit</b>	Old Style Electric Starter with Roll Pin	696539		
	<b>Starter Pinion Gear</b>	850 Series™ 6 Gross HP† Intek engines	692353		
	<b>Maintenance Minder™</b>	Display flashes every 25 hours run time, for 2- & 4-cycle engines		5081	4210 Qty. 10
	<b>Handle Pin</b>	Older style grip that requires pin	230228S		
	<b>Rope Guide</b>	Extended rope start models	205912GS		
	<b>Starter Pawl (Nylon)</b>	Selected engines with susa starters	281505S		4204 Qty. 5
	<b>Pinion Gear</b>	For aluminum & plastic ring gears	695708	5086	4194 Qty. 5
	<b>Recoil Pulley</b>	2-4 Gross HP† engines	280439S		
	<b>Recoil Pulley</b>	3.5-3.75 Gross HP† vertical (Sprint™ & Classic™) engines	281336S		
	<b>Recoil Pulley</b>	3-4 Gross HP† vertical pull starter engines	299948		

† All power levels are stated gross torque at 2600 rpm per SAE J1940.  
 ‡ All power levels are stated gross HP at 3600 rpm per SAE J1940.










# 8-2 RECOIL PULLEY - RECOIL SPRINGS



	<b>Recoil Pulley</b>	Quantum® (10 CID) engines	490877		
	<b>Recoil Pulley</b>	5-16 Gross HP† engines	295871		
	<b>Recoil Pulley</b>	9-16 Gross HP† horizontal (cast iron models) engines	392630		
	<b>Recoil Pulley</b>	2-Cycle (9 CID) engines	800011		
	<b>Recoil Pulley w/Spring</b>	6 Gross HP† OHV vertical engines 5, 5.25 & 6 Gross HP† Quantum® engines, 5 Gross HP† horizontal engines, 6 Gross HP† Intek™ with susa starters engines	498144		
	<b>Recoil Pulley w/Spring</b>	625-675 Series™ engines Quantum® (12 CID) engines 5 Gross HP† (10 CID) vertical Vanguard™ engines 4 & 5.5 Gross HP† Vanguard™ engines	493824		
	<b>Recoil Pulley</b>	9 Gross HP† (16 CID) horizontal Vanguard™ engines	281235		
	<b>Recoil Pulley</b>	15.5-17.5 Gross HP† engines	695129		
	<b>Recoil Spring</b>	For most rewind starter engines with starter clutch	490179	5010	
	<b>Recoil Spring</b>	3-4 Gross HP† vertical pull starter engines	390066		
	<b>Recoil Spring</b>	Europa™ (9 CID) engines 4 & 5.5 Gross HP† Vanguard™ engines, 5 Gross HP† Industrial Plus™ Quantum® (10 CID) engines	491889		
	<b>Recoil Spring</b>	15.5-17.5 Gross HP† engines	695131		

# STARTER CLUTCH - STARTER GRIPS 8-3



	<b>Recoil Spring</b>	4, 5.5, 6 & 7 Gross HP† Vanguard™ horizontal engines	710270		
	<b>Starter Clutch</b>	16 Gross HP horizontal cast iron engines	393127S		
	<b>Starter Clutch</b>	For most rewind starter engines	399671		
	<b>Recoil Spring</b>	9-18 Gross HP Vanguard™ (old & new) engines	692102		
	<b>Starter Grip</b>	All vertical pull starters 2-5.5 Gross HP† engines Quantum® & Europa™ engines (9CID) engines	393152		4119 Qty. 5
	<b>Starter Grip</b>	For selected models	281434S		
	<b>Starter Grip</b>	2.4 Gross HP† Vanguard™ engines Size #4, 56' Long	711540		
	<b>Starter Grip</b>	3.5-10 Gross HP† single cylinder Vanguard™ horizontal engines	490652		
	<b>Starter Grip</b>	Mitten grip/Sno Gard engines	699334		
	<b>Starter Grip</b>	6 Gross HP† Intek™ engines	691915	5042, 5054 includes rewind tool	

† All power levels are stated gross torque at 2600 rpm per SAE J1940.  
‡ All power levels are stated gross HP at 3600 rpm per SAE J1940.

# 8-4 INDIVIDUAL AND BULK STARTER ROPE



Use With	Size	Part #	Comments
2-4 Gross HP†	#4	66734	48" Long
2.4 Gross HP‡ Vanguard™	#4	711539	56" Long
3.5-5 Gross HP†	#4	490876	82" Long
3.5-4 Gross HP, 5 Gross HP‡, (10 CID) Vertical Vanguard™	#4	280406S	5042 (Display Parts Pack)
2-Cycle (9 CID), Europa™, Quantum®, 4 & 5.5 Gross HP‡ Horizontal Vanguard™ (99")	#4	280399S	5054 (Display Parts Pack)
5-18 Gross HP†	#5	692188	63" Long
12.5-18 Gross HP†	#5-1/2	695002	99" Long - Vanguard™ Single & Twin
-----	#5-1/2	69932S	Starter rope w/handle Use with most rope starter engines
Fource™		699944	



Description	Size	Part #
200' Spool <b>NEW!</b>	#3-1/2	706136
500' Spool	#3-1/2	790968
200' Spool	#4	790965
500' Spool	#4	790969
200' Spool	#4-1/2	790966
500' Spool	#4-1/2	790970
200' Spool	#5-1/2	790967
500' Spool	#5-1/2	790971

**Rewind Starter Bumpers**  
Flat (Use only w/steel pulley)

		68848S
--	--	--------








**Premium Nylon Starter Rope - New design & greater rigidity**

Description	Size	Part #
500' Spool	#3.5	790968
200' Spool	#4	790965
500' Spool	#4	790969
200' Spool	#4.5	790966
500' Spool	#4.5	790970
200' Spool	#5.5	790967
500' Spool	#5.5	790971

† All power levels are stated gross torque at 2600 rpm per SAE J1940.  
‡ All power levels are stated gross HP at 3600 rpm per SAE J1940.

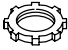

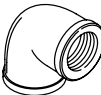


# DEFLECTORS - LOCKNUTS - EXHAUST ELBOWS 9-1

## Standard Muffler Deflectors

Engine Models	 Side out Deflector	 Direct out Deflector	 Louvered Deflector	 Louvered Deflector	 Side out Deflector
60000, 80000, 90000, 100000, 110000, 120000	393760	397931	None	396548	393756
85400, 110400, 111400, 115400, 117400, 120400, 121400, 123400, 138400, 185400	796956	395700	393758	None	None
*130000, 170000, 190000	796956	395700	393758	None	None
220000, 230000, 235400, 240000, 245400, 250000, 280000, 290000, 300000, 311700, 320000, 350000, 380000, 400000, 420000	795036	396903	795038	None	None

\*Shallow side out deflector 494423 required with some model 130000 guards (see page 10-8, 10-9).  
Deflectors will not fit over spark arrester.

## Standard Muffler Locknuts & Exhaust Elbows

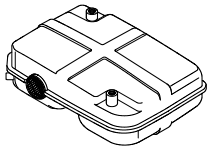
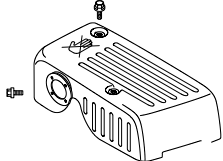
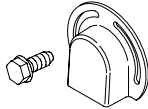
Engine Models	National Pipe Thread	 Locknut	 45° Street Elbow	 90° Street Elbow	 45° Street Elbow	 90° Street Elbow
60000, 80000, 90000, 110000	1/2" (13 mm)	691720	None	None	None	91943
					690291	(60000 only) 91943
100000, 130000, 170000, 190000, 400000, 420000	3/4" (19 mm)	690453	None	692835	94089	94092
220000, 230000, 240000, 250000, 280000, 320000	1" (25 mm)	691808	91415	91296	None	690281

† All power levels are stated gross torque at 2600 rpm per SAE J1940.  
‡ All power levels are stated gross HP at 3600 rpm per SAE J1940.

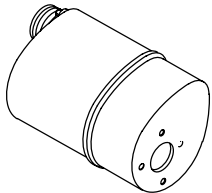
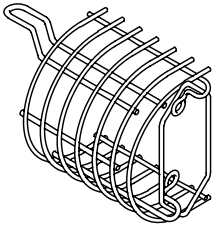
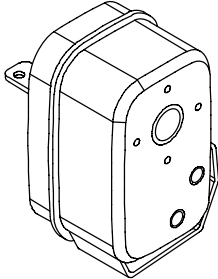
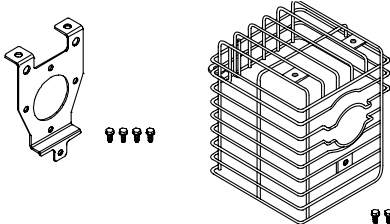
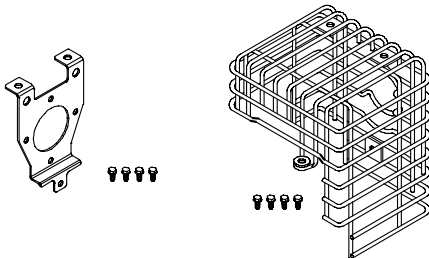
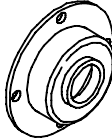



# 9-2 EXHAUST

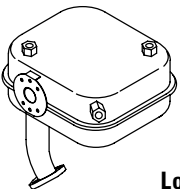
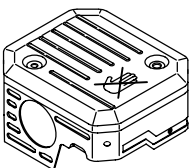

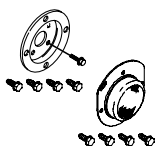
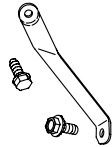
## Vanguard™ model 50032

Muffler	Guard	Deflector	Spark Arrester	Bracket
 <p><b>715948</b></p>	 <p><b>711532</b></p>	 <p><b>715230</b></p>	<b>Not Available</b>	<b>Not Available</b>

## Models 60000, 80000, 90000 & 110000 horizontal crankshaft (1/2" or 13 mm NPT)

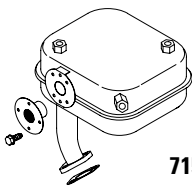
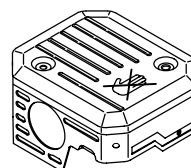
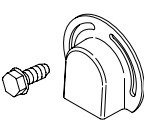
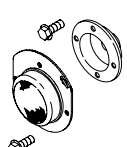
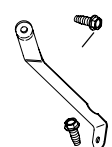
Muffler	Guard	Deflector	Spark Arrester
 <p><b>493288</b> <b>Oval Lo-Tone™</b></p>	<p>TUV</p>  <p><b>690789</b></p>	<p>(see page 10-3)</p>	
 <p><b>691360</b> <b>Super Lo-Tone™</b></p>	<p>TUV</p>  <p><b>398160</b> (model 82000 with float carburetor)</p>  <p><b>490571</b> (model 82000 with pulsa-jet carburetor)</p>	 <p><b>397931</b> (this deflector only with these guards)</p>	 <p><b>398067</b></p>

## Vanguard™ model 85400 horizontal crankshaft

Muffler	Guard	Deflector	Spark Arrester	Bracket
 <p><b>715487</b> <b>Lo-Tone™</b></p>	 <p><b>710332</b></p>	 <p><b>715230</b></p>	 <p><b>715491</b></p>	 <p><b>715287</b></p>

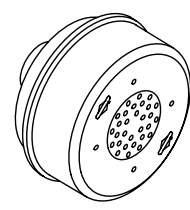
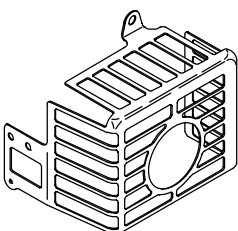
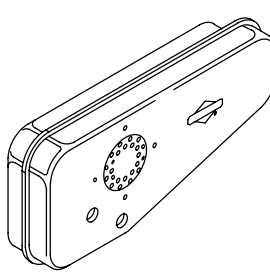
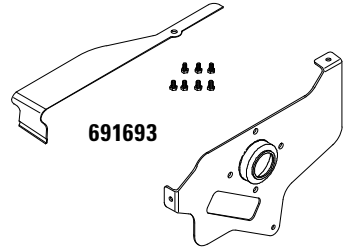


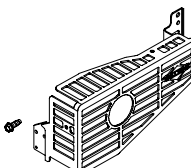
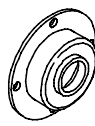
NOTE: Muffler brackets are for optional use on high vibration applications.

## Vanguard™ models 115400 & 117400 horizontal crankshaft

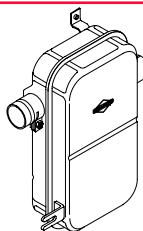
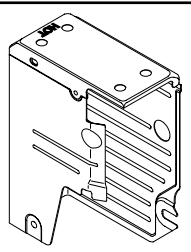
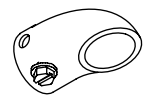

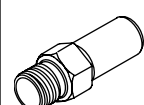
Muffler	Guard	Deflector	Spark Arrester	Bracket
 <p><b>715435</b></p>	 <p><b>710333</b></p>	 <p><b>715230</b></p>	 <p><b>715491</b></p>	 <p><b>715319</b></p>

**Engine Accessories**  
**Exhaust**

## Models 90000, 10A900 & 110000 vertical crankshaft (1/2" or 13 mm NPT)

Muffler	Guard	Deflector	Spark Arrester
 <p><b>394569S</b> <b>Round Lo-Tone™</b></p>	<div style="border: 1px solid black; padding: 2px; display: inline-block;">TUV</div>  <p><b>699670</b></p>	<p>(see page 10-3)</p>	
 <p><b>692307</b> <b>Super Lo-Tone™</b></p>	<div style="border: 1px solid black; padding: 2px; display: inline-block;">TUV</div>  <p><b>691693</b></p> <p><b>493967</b></p>	 <p><b>396548</b></p>	 <p><b>398067</b></p>
	<div style="border: 1px solid black; padding: 2px; display: inline-block;">TUV</div>  <p><b>699299</b></p>	 <p><b>397931</b></p>	

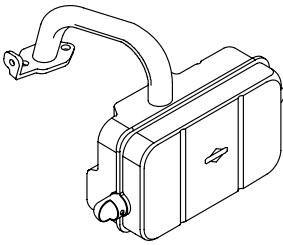
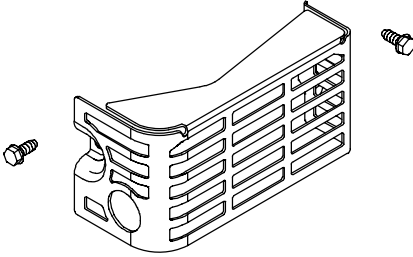
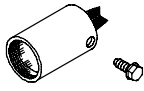
## Model 93400 horizontal crankshaft

Muffler	Guard	Deflector	Spark Arrester	Bracket
 <p><b>692365</b> <b>Super Lo-Tone™</b></p>	<div style="border: 1px solid black; padding: 2px; display: inline-block;">TUV</div>  <p><b>691693</b>   <b>692368</b>   <b>691685</b></p>	 <p><b>692010</b></p>	 <p><b>690813</b></p>	 <p><b>690526</b></p>

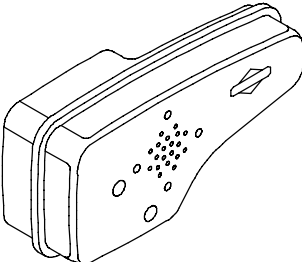
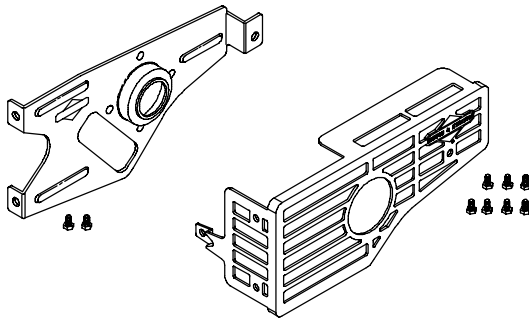
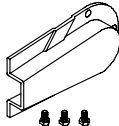

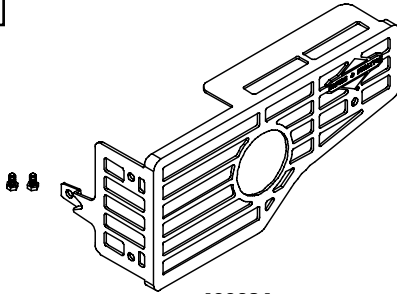
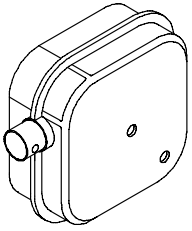
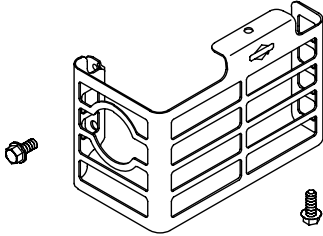
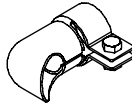
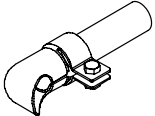
† All power levels are stated gross torque at 2600 rpm per SAE J1940.  
 ‡ All power levels are stated gross HP at 3600 rpm per SAE J1940.

# 9-4 EXHAUST

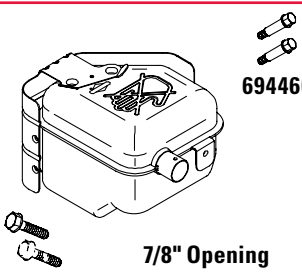
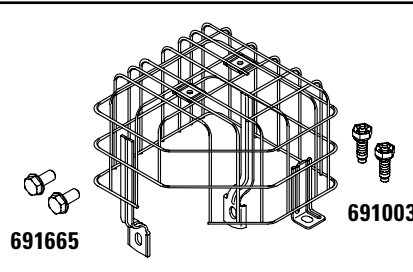

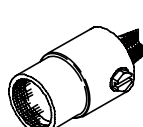

## Model 99700 vertical crankshaft

Muffler	Guard	Deflector	Spark Arrester
 <p><b>494717</b> <b>Super Lo-Tone™</b></p>	<p>TUV</p>  <p><b>494719</b></p>	<p>(Not Available)</p>	 <p><b>493662</b></p>

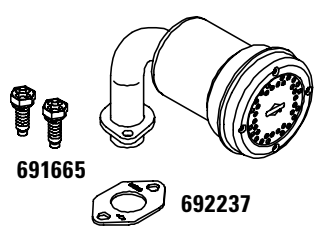
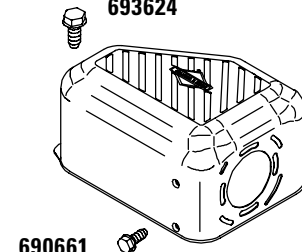


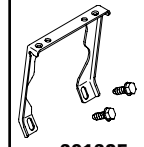
## Quantum® models 100000 & 120000 vertical crankshaft

Muffler	Guard	Deflector	Spark Arrester
 <p><b>692038</b> <b>Super Lo-Tone™</b></p>	<p>TUV</p>  <p><b>494224</b></p>	 <p><b>493871</b></p>	 <p><b>398067</b></p>
	<p>TUV</p>  <p><b>499034</b></p>		
 <p><b>494343S</b> <b>Square Lo-Tone™</b></p>	<p>TUV</p>  <p><b>691424</b></p>	 <p><b>697915</b></p>	 <p><b>692957</b></p>

## Intek™ models 110400, 111400, 121400 & 123400 (single cylinder) horizontal crankshaft

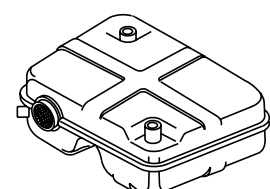
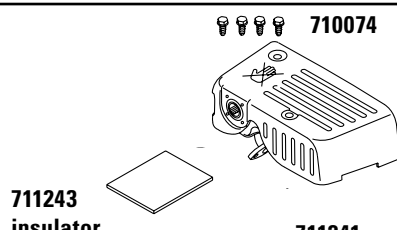
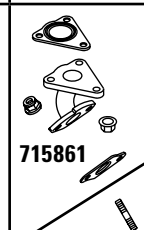
Muffler	Guard	Deflector	Spark Arrester	Bracket
 <p>694460</p> <p>7/8" Opening 694429</p> <p>691108</p>	 <p>691665</p> <p>697818</p> <p>691003</p>	 <p>692010</p>	 <p>690813</p>	 <p>699204</p> <p>691893</p> <p>691665</p> <p>692237</p> <p>699232</p>

## Intek™ models 110400, 111400, 120400 & 121400 AFTER DATE CODE 98071900 & 123400 (single cylinder) horizontal crankshaft

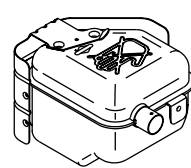
Muffler	Guard	Deflector	Spark Arrester	Bracket
 <p>691665</p> <p>692237</p> <p>693593</p>	 <p>693624</p> <p>690661</p> <p>693583</p>	 <p>796956</p> <p>395700</p>	 <p>691685</p> <p>692595</p>	 <p>691685</p> <p>699229</p>

## Vanguard™ model 118400 (single cylinder) horizontal crankshaft

NOTE: Muffler brackets are for optional use on high vibration applications.

Muffler	Guard	Deflector	Spark Arrester	Bracket
 <p>711239</p>	 <p>710074</p> <p>711243 insulator</p> <p>711241</p>	(not available)	(not available)	 <p>715861</p> <p>710099</p>

## Intek™ models 121400, 123400, 124400, 126400, 127400 & 128400 (single cylinder) horizontal crankshaft

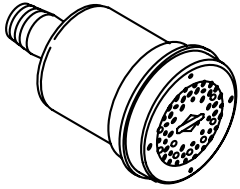
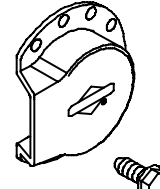
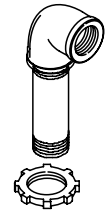
Muffler	Guard	Deflector	Spark Arrester	Bracket
 <p>1-3/8" Opening</p> <p>699231</p>	(not available)	697816	790153	(not available)

† All power levels are stated gross torque at 2600 rpm per SAE J1940.  
‡ All power levels are stated gross HP at 3600 rpm per SAE J1940.

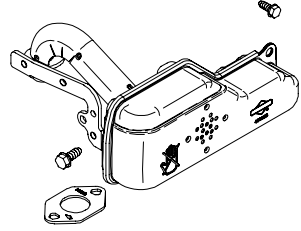
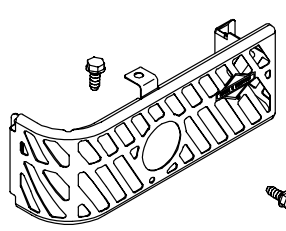
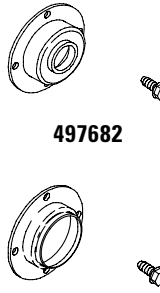
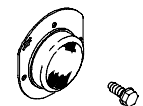
# 9-6 EXHAUST

Engine Accessories  
Exhaust

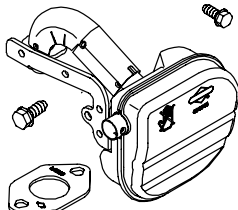
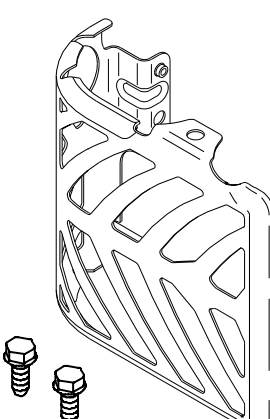

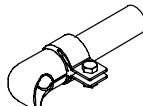
## Intek™ models 121400 (single cylinder) horizontal crankshaft (before date code 98072000)

Muffler	Guard	Deflector	Spark Arrester	Bracket
 <p><b>692580</b></p>	(not available)	 <p><b>796956</b></p>	(not available)	 <p><b>692548</b></p>

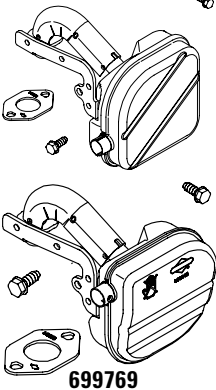
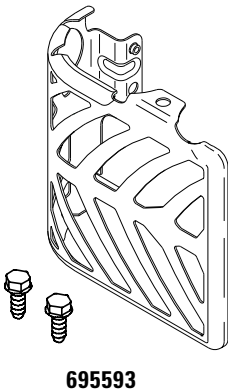
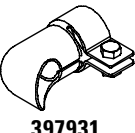
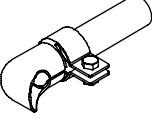
## Intek™ models 110600 & 126600 (single cylinder) vertical crankshaft

Muffler	Guard	Deflector	Spark Arrester	Bracket
 <p><b>694248 Muffler</b> (Used After Code Date 99030700). Note: 692275 Muffler (Used Before Code Date 99030800).</p>	 <p><b>691466 Muffler Guard</b> (Used After Code Date 99030700). Note: 692984 Muffler Guard (Used Before Code Date 99030800).</p>	 <p><b>497682</b> <b>697915</b></p>	 <p><b>398067</b></p>	(not available)

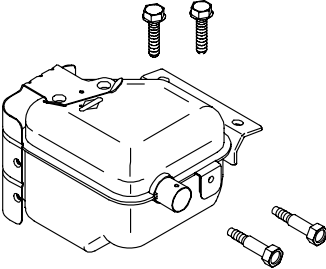
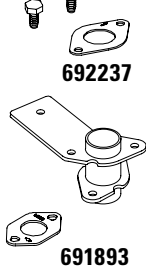
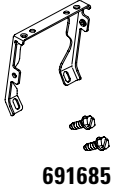
## Intek™ models 111600 & 121600 vertical crankshaft

Muffler	Guard	Deflector	Spark Arrester	Bracket
 <p><b>699769</b></p>	 <p><b>695593</b></p>	 <p><b>397931</b></p>	 <p><b>692957</b></p>	(not available)

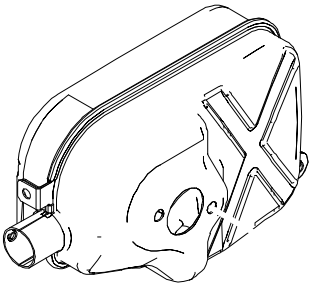
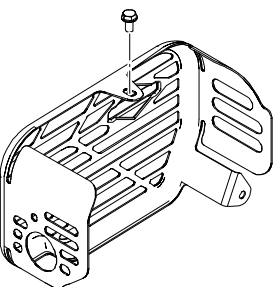

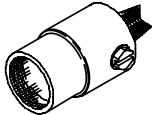
## Intek™ models 111600 & 121600 vertical crankshaft (continued)

Muffler	Guard	Deflector	Spark Arrester	Bracket
 <p>699769</p>	 <p>695593</p>	 <p>397931</p>	 <p>692957</p>	<p>(not available)</p>

## Intek™ models 12A400, 12B400, 12C400 & 12D400 (single cylinder snow engine) horizontal crankshaft

Muffler	Guard	Adapter	Spark Arrester	Bracket
 <p>699511</p>	<p>(not available)</p>	 <p>691665</p> <p>692237</p> <p>691893</p> <p>699232</p>	<p>(not available)</p>	 <p>691685</p> <p>695734</p>

## Professional Series™ models 121Q00, 121S00

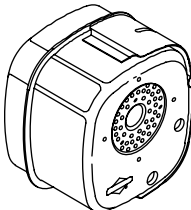

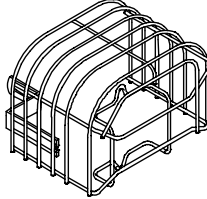

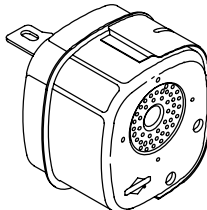

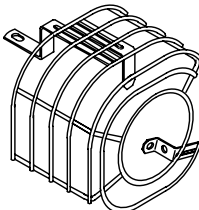

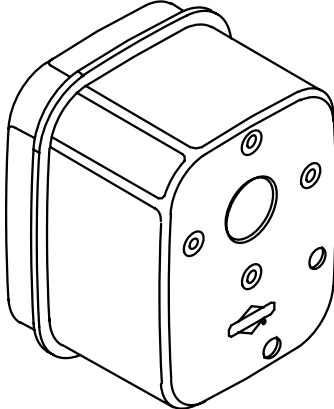
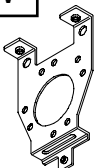
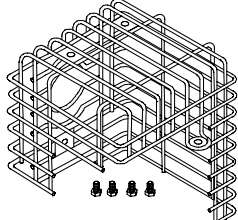
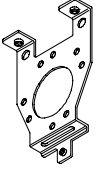
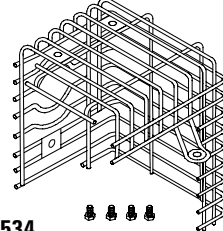


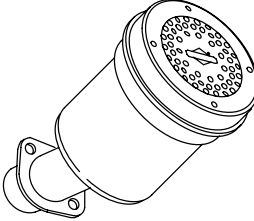
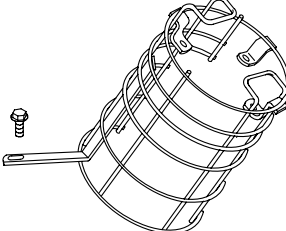


Muffler	Guard	Deflector	Spark Arrester	Bracket
 <p>796495</p>	 <p>796494</p>	 <p>692010</p>	 <p>690813</p>	<p>(not available)</p>

† All power levels are stated gross torque at 2600 rpm per SAE J1940.  
‡ All power levels are stated gross HP at 3600 rpm per SAE J1940.

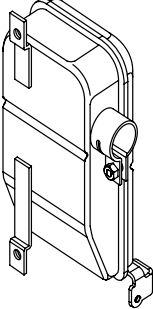
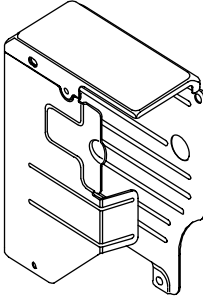

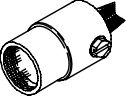

# 9-8 EXHAUST

Model 130000 horizontal & vertical crankshaft (3/4" or 19 mm npt)

Engine Accessories  
Exhaust

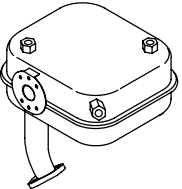
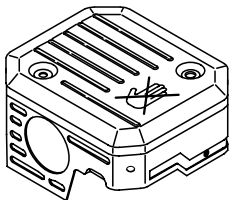

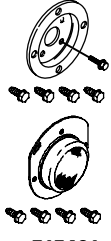
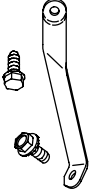
Muffler	Guard	Deflector	Spark Arrester
 <p><b>390918S</b> Lo-Tone™</p>	<p>TUV</p>  <p><b>691681</b></p>  <p><b>690788</b> (vertical shaft)</p>  <p><b>690367</b></p>	(see page 10-3)	
 <p><b>692304</b> Lo-Tone™</p>	<p>TUV</p>  <p><b>692198</b></p>  <p><b>690625</b> (model 130000 with pulsa-jet carburetor)</p>  <p><b>690367</b></p>		
 <p><b>691969</b> Super Lo-Tone™</p>	<p>TUV</p>  <p><b>398161</b> (model 132400 with float carburetor)</p>   <p><b>490534</b> (model 130000 with pulsa-jet carburetor)</p> 	<p>(these deflectors only with these guards)</p>  <p><b>494423</b> (shallow side out deflector)</p>  <p><b>399541</b></p>	
 <p><b>496892</b> Round Lo-Tone™</p>	<p>TUV</p>  <p><b>498257</b></p>	 <p><b>493662</b> (this deflector only with this guard)</p> 	

## Model 133400 horizontal crankshaft

Muffler	Guard	Deflector	Spark Arrester	Adapter
 <p><b>692006</b> <b>Super Lo-Tone™</b></p>	<p>TUV</p>  <p><b>691693</b></p> <p><b>690811</b> (691432 for Type No. 0700)</p>	 <p><b>692010</b></p>	 <p><b>690813</b></p>	 <p><b>691689</b></p> <p><b>690812</b></p> <p><b>692237</b></p>

**Engine Accessories**  
**Exhaust**

## Vanguard™ model 138400 horizontal crankshaft

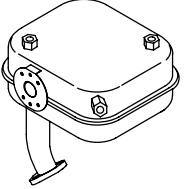
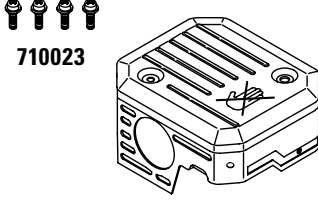

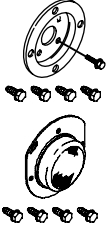
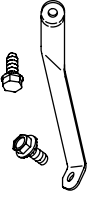
Muffler	Guard	Deflector	Spark Arrester	Bracket
 <p><b>715487</b> <b>Lo-Tone™</b></p>	 <p><b>710074</b></p> <p><b>710332</b></p>	 <p><b>715230</b> (Also see Page 10-4)</p>	 <p><b>715491</b></p>	 <p><b>715287</b></p>

† All power levels are stated gross torque at 2600 rpm per SAE J1940.  
 ‡ All power levels are stated gross HP at 3600 rpm per SAE J1940.

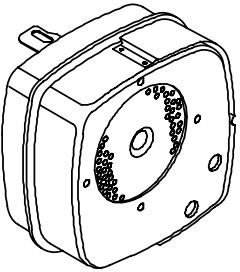
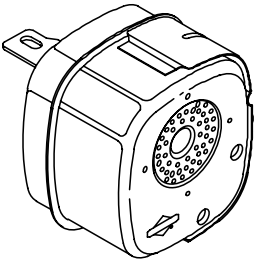
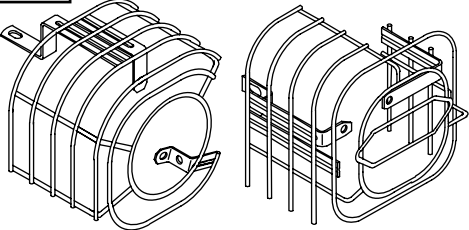

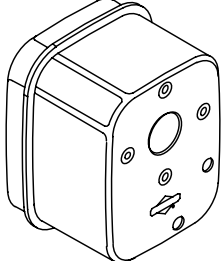
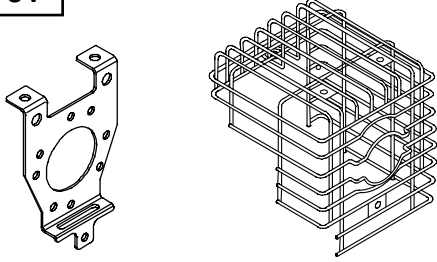
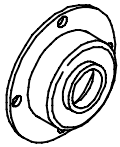


# 9-10 EXHAUST

## Model 185400 horizontal crankshaft

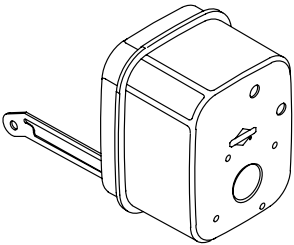
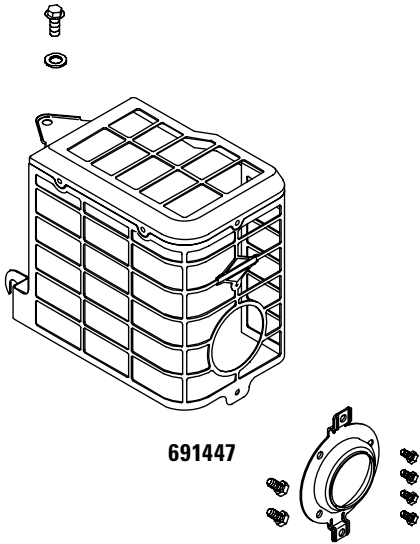
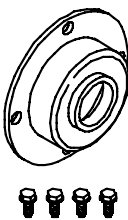

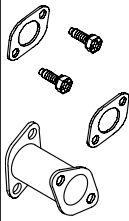
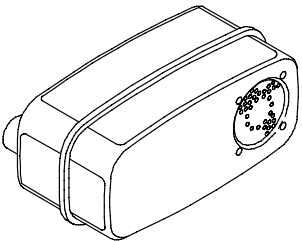
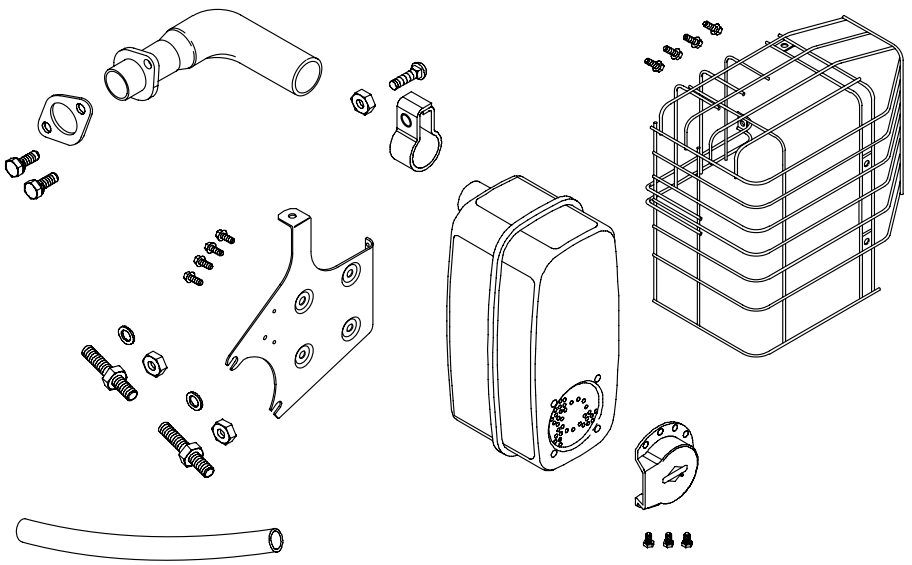
Muffler	Guard	Deflector	Spark Arrester	Bracket
 <p><b>715523</b> Lo-Tone™</p>	 <p><b>710023</b></p> <p><b>710334</b></p>	 <p><b>715230</b> (Also see Page 10-4)</p>	 <p><b>715491</b></p>	 <p><b>715495</b></p>

## Models 170000 & 190000 horizontal & vertical crankshaft (3/4" or 19 mm npt)

Muffler	Guard	Deflector	Spark Arrester	Adapter
 <p><b>691951</b> Lo-Tone™ (remote)</p>	(not available)			
 <p><b>692304</b> Lo-Tone™</p>	<p>TUV</p>  <p><b>691988</b> (horizontal shaft)      <b>690858</b> (vertical shaft)</p>	(see page 10-3)	 <p><b>399541</b></p>	(not required)
 <p><b>494221</b> Super Lo-Tone™</p>	<p>TUV</p>  <p><b>494868</b> (horizontal shaft)</p>	 <p><b>395700</b> (this deflector only with this guard)</p>		

## Model 190000 horizontal crankshaft (3/4" or 19 mm npt)

Engine  
Accessories  
Exhaust

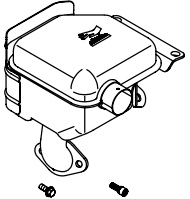
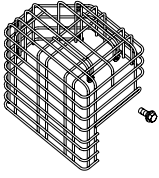
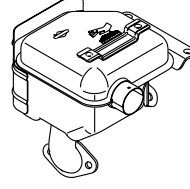
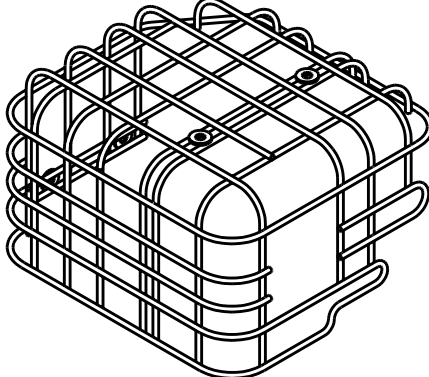
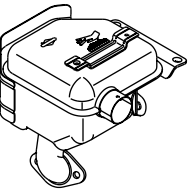
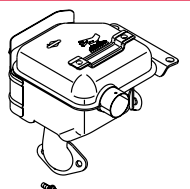
Muffler	Guard	Deflector	Spark Arrester	Adapter
 <p><b>497141 Super Lo-Tone™</b></p>	<p>TUV</p>  <p><b>691447</b></p>	 <p><b>395700 (this deflector only with these guards)</b></p>	 <p><b>817483</b></p>	 <p><b>497140</b></p>
 <p><b>498984S Super Lo-Tone™</b></p>	<p>TUV</p>  <p><b>494500 Super Lo-Tone™ Kit</b> (horizontal shaft – includes special RAF reduced after fire muffler, guard and all mounting hardware – this 393761 deflector only with this guard)</p>			

† All power levels are stated gross torque at 2600 rpm per SAE J1940.  
‡ All power levels are stated gross HP at 3600 rpm per SAE J1940.

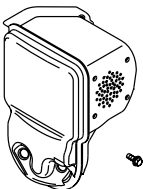
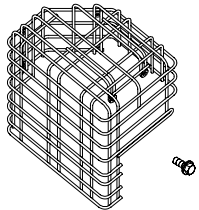
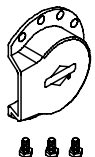

# 9-12 EXHAUST

Engine Accessories  
Exhaust

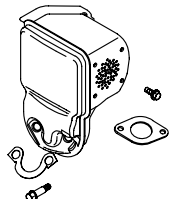
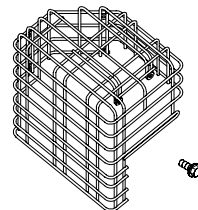
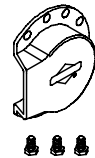

Intek™ models 20A400, 20B400, 20C400, 20D400, 20E400, 20F400 & 20G400 horizontal crankshaft

Muffler	Guard	Deflector	Spark Arrester
 <p>794694</p>	 <p>795035</p>		
 <p>698160</p>	 <p>698135</p>	(not available)	(not available)
 <p>698134</p>			
 <p>794695</p>			

Intek™ models 201400, 202400, 203400, 204400, 205400, 206400 & 207400 (single cylinder) horizontal crankshaft; all after date code 020120XX

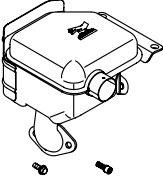
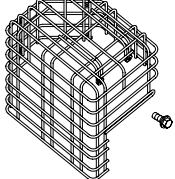
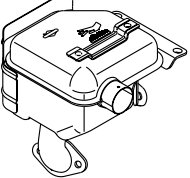
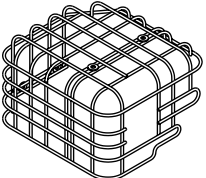
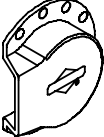
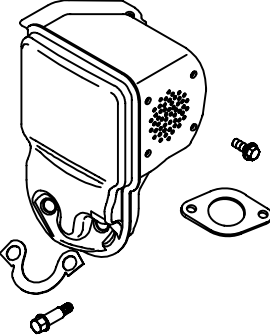
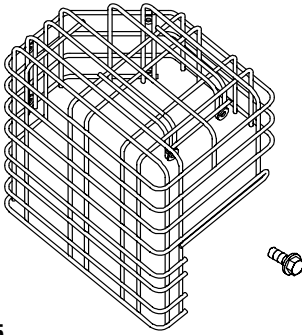

Muffler	Guard	Deflector	Spark Arrester
 <p>794949</p>	 <p>795035</p>	 <p>795036</p>	 <p>794945</p>

Intek™ models 201400, 202400, 203400, 204400, 205400, 206400 & 207400 (single cylinder) horizontal crankshaft; all before date code 020121

Muffler	Guard	Deflector	Spark Arrester
 <p>794949</p>	 <p>795035</p>	 <p>795036</p>	 <p>794945</p>

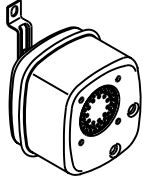

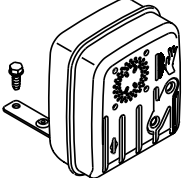
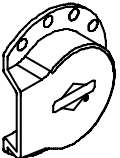
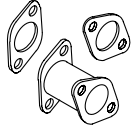
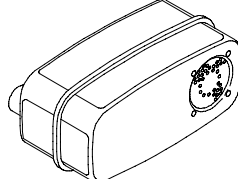
# EXHAUST 9-13

## Models 21A400 & 210400 horizontal crankshaft

Muffler	Guard	Deflector	Spark Arrester	Bucket
 <p>794694</p>	 <p>795035</p>			
 <p>698160</p>	 <p>698135</p>	 <p>795036</p>	(not available)	(not available)
 <p>794949</p>	 <p>795035</p>	 <p>795036</p>		

Engine Accessories Exhaust

## Models 21A800, 21A900, 21B900, 212700 and 212900 vertical crankshaft

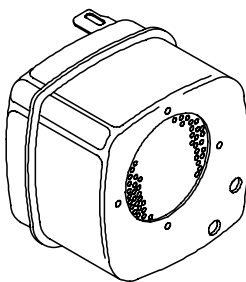
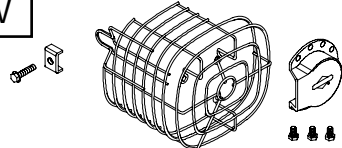
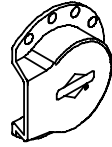

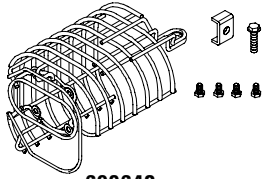
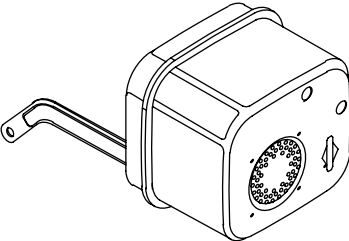
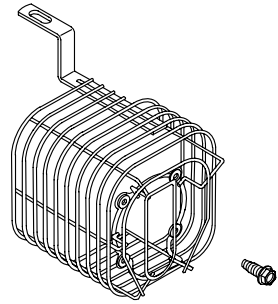
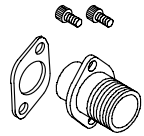
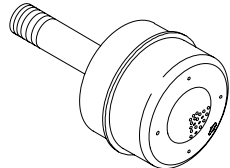
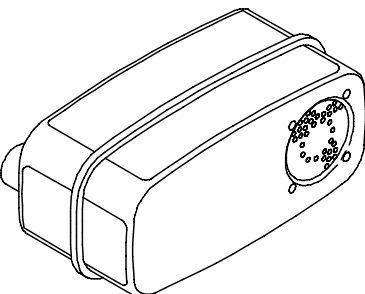
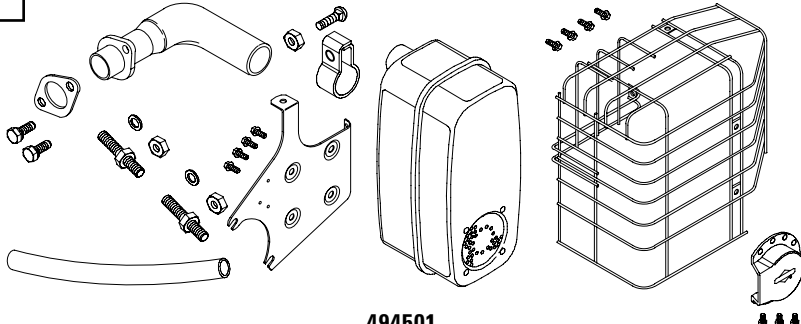
Muffler	Guard	Deflector	Spark Arrester	Bracket
 <p>796000</p>				 <p>698941</p>
 <p>795997</p>	(not available)	 <p>795036</p>	(not available)	 <p>794661</p>
 <p>498984S</p>				(not available)

† All power levels are stated gross torque at 2600 rpm per SAE J1940.  
‡ All power levels are stated gross HP at 3600 rpm per SAE J1940.

# 9-14 EXHAUST

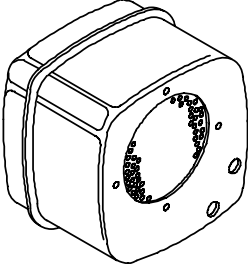
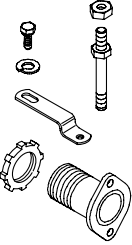
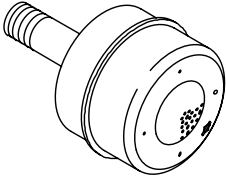

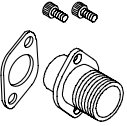
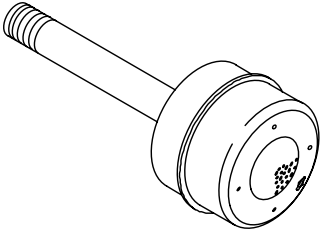
Models 220000 & 250000 horizontal & vertical crankshaft (1" or 25 mm npt)

Engine Accessories

Muffler	Guard	Deflector	Spark Arrester	Adapter
 <p><b>691874</b> Square Lo-Tone™</p>	<p>TUV</p>  <p><b>691874</b> Square Lo-Tone™</p>	 <p><b>795036</b> (this deflector only with these guards)</p>	 <p><b>794945</b></p> <p>For Model 25 use 817483</p>	<p>(not required)</p>
	<p>TUV</p>  <p><b>690648</b> (horizontal shaft)</p>			
 <p><b>497470</b> Super Lo-Tone™</p>	<p>TUV</p>  <p><b>691404</b></p>	<p>(see Page 10-4)</p>	<p>For Model 25 use 817483</p>	 <p><b>392700</b></p>
 <p><b>391569S</b> Standard (8" Length)</p>	<p>(not available)</p>			
 <p><b>498984S</b> Super Lo-Tone™</p>	<p>TUV</p>  <p><b>494501</b> Super Lo-Tone™ Kit (horizontal shaft – includes special RAF reduced after fire muffler, guard and all mounting hardware – this 795036 deflector only with this guard)</p>			

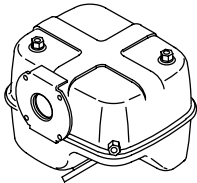

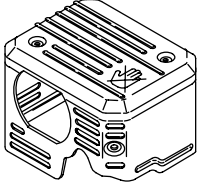

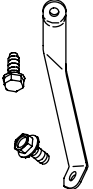
# EXHAUST 9-15

Models 230000, 240000 & 320000 (cast iron) horizontal crankshaft (1" or 25 mm npt)

Muffler	Guard	Deflector	Spark Arrester	Adapter
 <p><b>399635</b> Square Lo-Tone™ (remote)</p>				 <p><b>394584</b></p>
 <p><b>299477S</b> Standard (7" Length)</p>	(not available)	(see page 10-3)	 <p><b>794945</b></p>	 <p><b>392700</b></p>
 <p><b>393232S</b> Standard (11" Length)</p>				

Engine Accessories  
Exhaust

Vanguard™ models 235400 & 245400 horizontal crankshaft

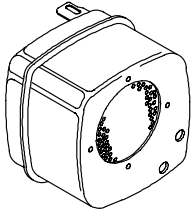
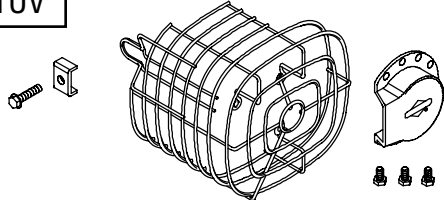
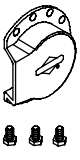

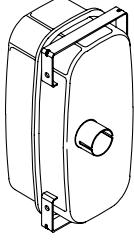

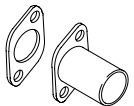
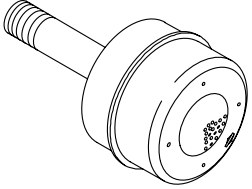
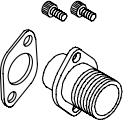
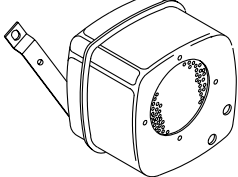

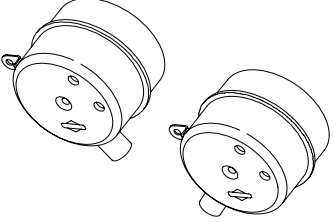
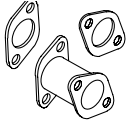
Muffler	Guard	Deflector	Spark Arrester	Bracket
 <p><b>715894</b> Lo-Tone™</p>	 <p><b>710074</b></p>  <p><b>710586</b></p>	(not available)	 <p><b>794945</b></p>	 <p><b>715422</b></p>

† All power levels are stated gross torque at 2600 rpm per SAE J1940.  
‡ All power levels are stated gross HP at 3600 rpm per SAE J1940.

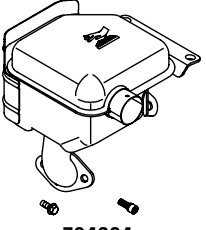
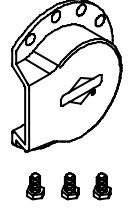
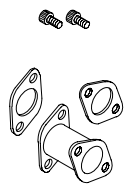
# 9-16 EXHAUST

Model 280000 L-Head vertical crankshaft (1" or 25 mm npt)

Engine Accessories  
Exhaust

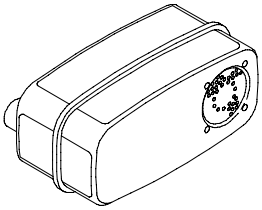
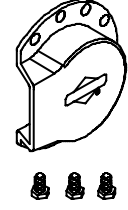

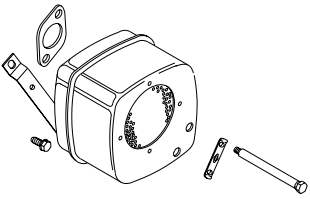
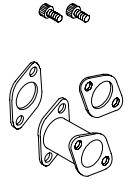
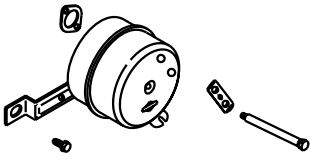
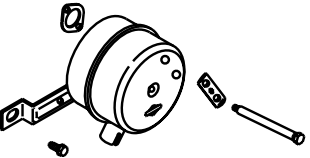
Muffler	Guard	Deflector	Spark Arrester	Bracket
 <p><b>691874</b> Square Lo-Tone™</p>	<p>TUV</p>  <p><b>692361</b> (includes deflector)</p>	 <p><b>795036</b></p>	 <p><b>794945</b></p>	<p>(not required)</p>
 <p><b>690850</b> Super Lo-Tone™</p>	<p>(not available)</p>	<p>(See Page 10-4)</p>	<p>(not available)</p>	 <p><b>698941</b></p>  <p><b>4</b> <b>96750</b></p>
 <p><b>391569S</b> Standard (8" Length)</p>				 <p><b>392700</b></p>
 <p><b>496022S</b> Super Lo-Tone™</p>				 <p><b>698941</b></p>
 <p><b>495882</b> Super Lo-Tone™</p>				 <p><b>794661</b></p>

## Models 28AH00, 28CH00 & 31G700 OHV vertical crankshaft

Muffler	Guard	Muffler Bracket	Deflector	Spark Arrester	Adapter
 <p>794694</p>	(not available)	(not available)	 <p>795036</p>	(not available)	 <p>794661</p>

Engine Accessories Exhaust

## Model 28N700 OHV vertical crankshaft

Muffler	Guard	Muffler Bracket	Deflector	Spark Arrester	Adapter
 <p>498984S</p>	(not available)	(not available)	 <p>795036</p>	 <p>794945</p>	(not available)
 <p>496022S</p>	(not available)	(not available)			 <p>794661</p>
 <p>495882</p>	(not available)	(not available)	(not available)		
 <p>495805S</p>	(not available)	(not available)	(not available)		

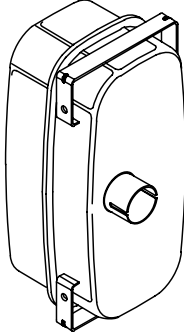

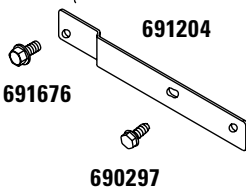
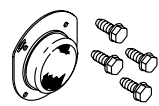

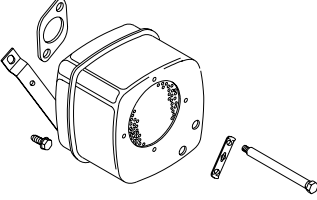
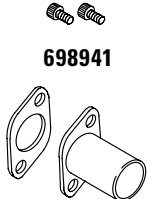
† All power levels are stated gross torque at 2600 rpm per SAE J1940.  
 ‡ All power levels are stated gross HP at 3600 rpm per SAE J1940.



# 9-18 EXHAUST

Models 28P700, 28Q700, 311700 & 312700 OHV vertical crankshaft (1" or 25 mm npt)

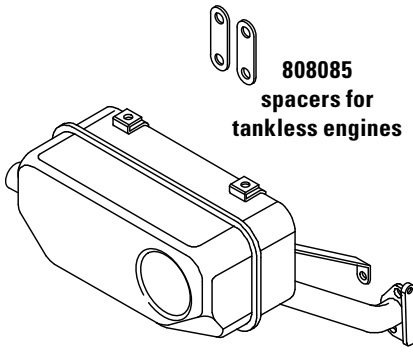
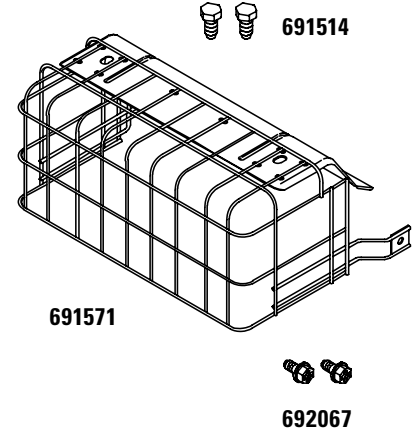
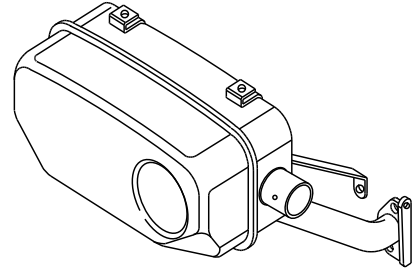
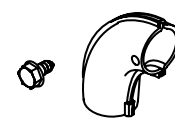
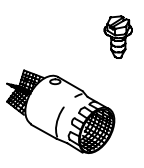
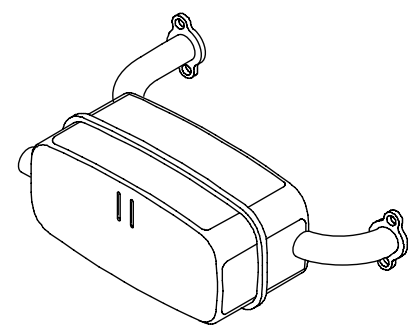
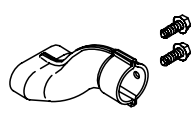
Engine Accessories

Muffler	Guard	Muffler Bracket	Deflector	Spark Arrester	Adapter
 <p><b>690850</b> Super Lo-Tone™</p>  <p><b>690853</b></p>	(not available)	 <p><b>691204</b></p> <p><b>691676</b></p> <p><b>690297</b></p> <p><b>691678</b></p>	(see page 10-3)	 <p><b>794945</b></p>	 <p><b>698941</b></p> <p><b>496750</b></p>
 <p><b>496022S</b></p>	(not available)	(not available)	(see page 10-3)	(not available)	 <p><b>698941</b></p> <p><b>794661</b></p>

# EXHAUST 9-19

## Vanguard™ models 290000, 300000 & 350000 horizontal crankshaft

Engine  
Accessories  
Exhaust


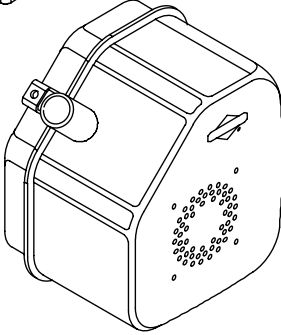
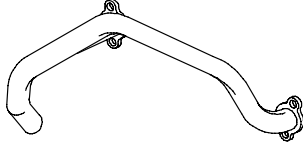
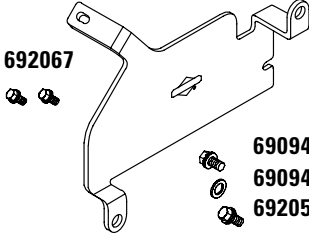

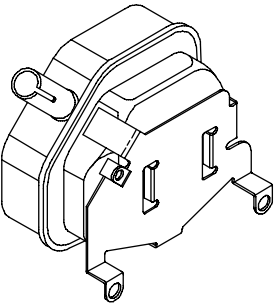

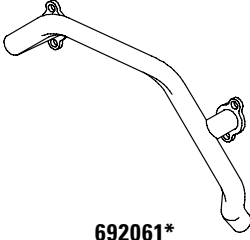
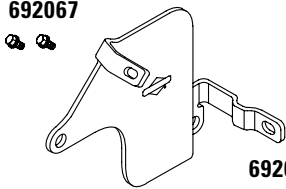


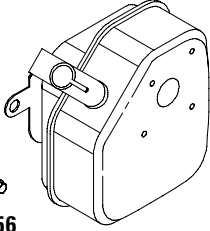
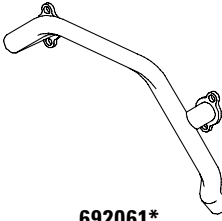
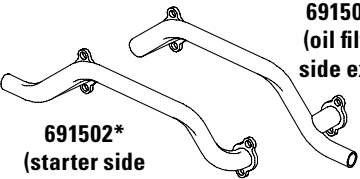
Muffler	Guard & Heat Shield	Deflector	Spark Arrester
 <p>808085 spacers for tankless engines</p> <p>690906 (cyl #1 side outlet, starter motor side)</p>	<p>TUV</p>  <p>691514</p> <p>691571</p> <p>692067</p>		
 <p>691562 (cyl #2 side outlet, oil filter side)</p>		 <p>495518</p>	 <p>808361</p>
 <p>690931 (cyl #1 side outlet, starter motor side)</p>	<p>(not available)</p>	 <p>808393</p>	<p>(not available)</p>

† All power levels are stated gross torque at 2600 rpm per SAE J1940.  
‡ All power levels are stated gross HP at 3600 rpm per SAE J1940.

# 9-20 EXHAUST

Vanguard™ models 290000, 300000 & 350000 horizontal crankshaft

Engine Accessories  
Exhaust

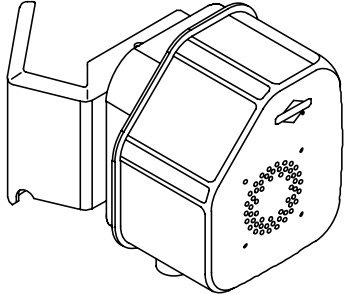
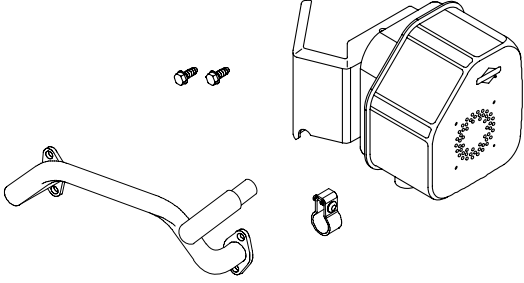
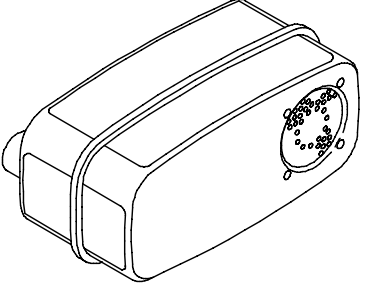
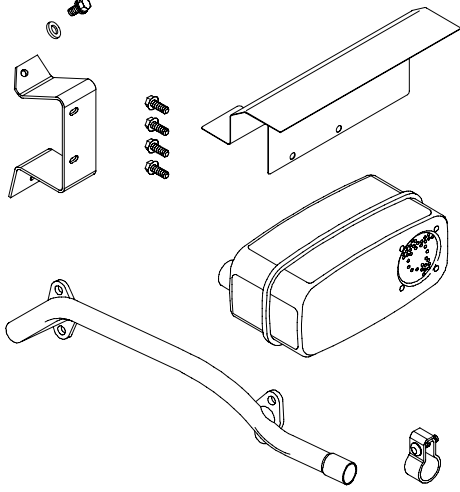

Muffler	Manifold	Muffler Bracket	Spark Arrester
 <p><b>690898</b></p>  <p><b>692099</b></p>	 <p><b>691499*</b> (starter motor side – cannot be installed on engine equipped with starter motor because of interference)</p>	 <p><b>692067</b></p> <p><b>690943</b> <b>690944</b> <b>692056</b></p> <p><b>690756</b></p>	<p><b>Deflector</b> (see page 10-3)</p>
 <p><b>690898</b></p>  <p><b>692099</b> (do not use on models 351400 or 351700)</p> <p><b>692539</b></p>  <p><b>692056</b></p>	 <p><b>692061*</b> (oil filter side – if oil filter interferes, install 808033 oil filter adapter kit)</p>	 <p><b>692067</b></p> <p><b>692056</b></p> <p><b>691513</b> (oil filter side)</p>	 <p><b>794945</b></p>
 <p><b>690898</b></p>  <p><b>807742</b> (do not use on models 351400 or 351700)</p> <p><b>692056</b></p>	 <p><b>692061*</b> (oil filter side – if oil filter interferes, install 808033 oil filter adapter kit)</p>	<p>(integral to muffler)</p>	
<p><b>OEM supplied</b></p>	 <p><b>691501*</b> (oil filter side exit)</p> <p><b>691502*</b> (starter side exit)</p>	<p>(not available)</p>	

\*Note: Manifolds on this page require (2) 691613 gaskets and (4) 691902 mounting screws. No guards are available.



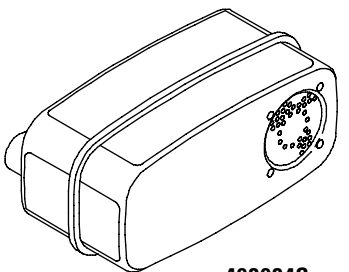
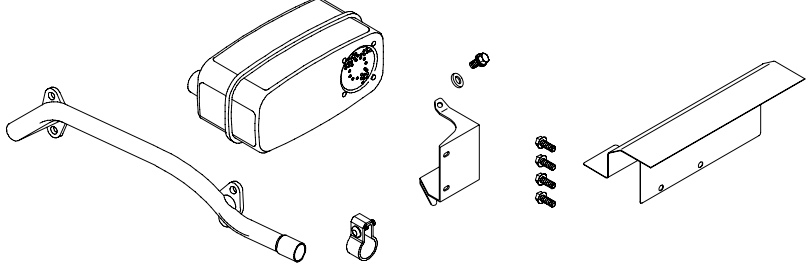
† All power levels are stated gross torque at 2600 rpm per SAE J1940.  
‡ All power levels are stated gross HP at 3600 rpm per SAE J1940.

## Vanguard™ models 290000, 300000 & 350000 horizontal & vertical crankshaft

Muffler	Kits	Deflector	Spark Arrester
 <p><b>807953 Super Lo-Tone™</b></p>	 <p><b>807969 Super Lo-Tone™ Kit (vertical shaft – oil filter side only)</b></p>		
 <p><b>498984S Super Lo-Tone™</b></p>	 <p><b>807752 Super Lo-Tone™ Kit (horizontal and vertical shaft – oil filter side only)</b></p>	(see page 10-3)	 <p><b>794945</b></p>

NOTE: Manifolds on this page require (2) 691613 gaskets and (4) 691902 mounting screws.

## Vanguard™ models 380000 vertical & horizontal crankshaft

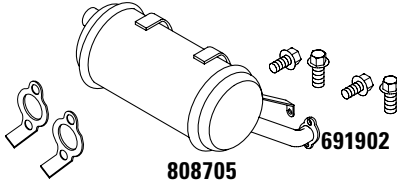
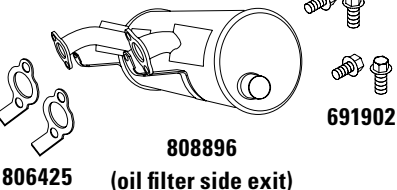
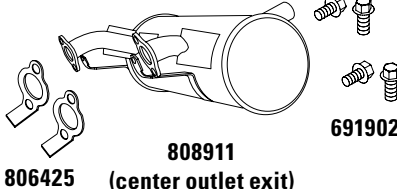
Muffler	Kits
 <p><b>498984S</b></p>	 <p><b>808738 Super Lo-Tone™ Kit (horizontal and vertical shaft – oil filter side only)</b></p>


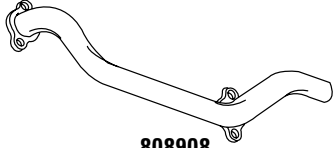
† All power levels are stated gross torque at 2600 rpm per SAE J1940.  
‡ All power levels are stated gross HP at 3600 rpm per SAE J1940.

# 9-22 EXHAUST


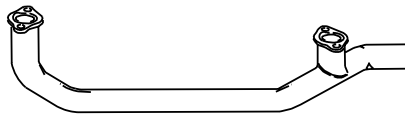
## Vanguard™ models 380400 & 381400 horizontal crankshaft

Engine Accessories  
Exhaust

Muffler	Guard	Deflector	Spark Arrester	Bracket
 <p><b>808705</b> 806425 (starter motor side exit)</p>	(not available)	(not available)	(not available)	(Integral to muffler)
 <p><b>808896</b> 806425 (oil filter side exit)</p>	(not available)	(not available)	(not available)	(Integral to muffler)
 <p><b>808911</b> 806425 (center outlet exit)</p>	(not available)	(not available)	(not available)	(Integral to muffler)

Muffler	Manifold	Deflector	Spark Arrester	Bracket
OEM supplied	 <p><b>808909</b> (starter motor side exit)</p>	(not available)	(not available)	(not available)
OEM supplied	 <p><b>808908</b> (oil filter side exit)</p>	(not available)	(not available)	(not available)

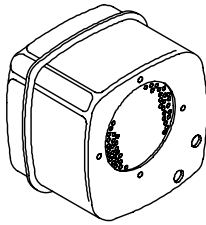

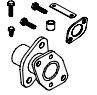

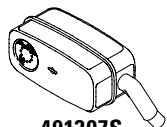
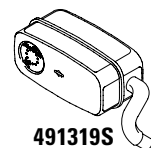
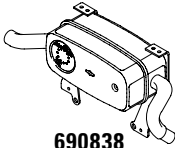
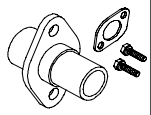
## Vanguard™ models 380700 & 381700 vertical crankshaft

Muffler	Manifold	Deflector	Spark Arrester	Bracket
 <p><b>498984S</b></p>	 <p><b>808916</b></p>	(not available)	(not available)	(not available)

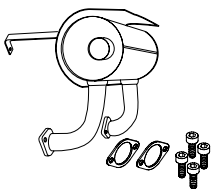
# EXHAUST 9-23

## Models 400000 & 420000 vertical & horizontal crankshaft (3/4" or 19 mm npt)

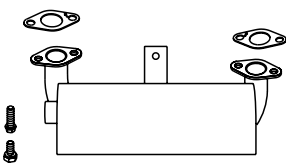
Engine Accessories Exhaust

Muffler	Guard	Deflector	Spark Arrester	Adapter
 <p><b>399635</b> <b>Square Lo-Tone™ (remote)</b></p>	(not available)	(see Page 10-4)	 <p><b>794945</b></p>	 <p><b>691975</b> <b>(#1 cyl.)</b></p>  <p><b>691365</b> <b>(#2 cyl.)</b></p>
 <p><b>491307S</b> <b>(horizontal shaft)</b></p>  <p><b>491319S</b> <b>(vertical shaft)</b></p>  <p><b>690838</b> <b>(vertical shaft – ducted)</b> <b>Super Lo-Tone™</b></p>				 <p><b>691970</b> <b>(2 required)</b></p>

## Intek™ models 405700, 406700 & 407700 vertical crankshaft

Muffler	Guard	Deflector	Spark Arrester	Bracket
 <p><b>692120</b></p>	(not available)	(not available)	(not available)	(Integral to muffler)

## Intek™ models 445700 & 446700 vertical crankshaft

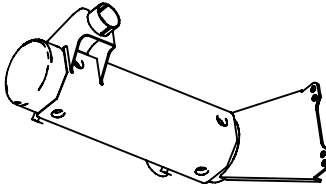
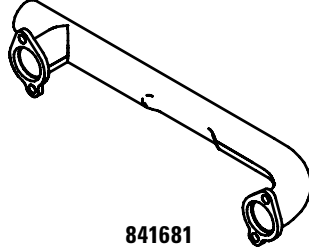
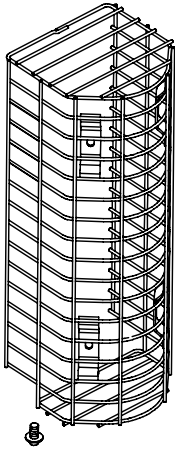
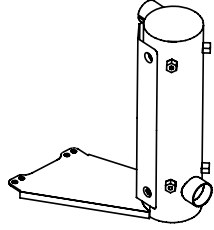
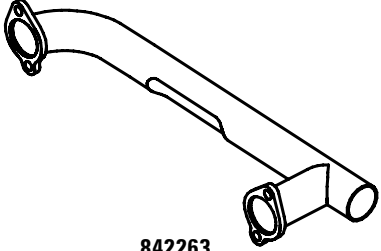
Muffler	Guard	Deflector	Spark Arrester	Bracket
 <p><b>696226</b></p>	(not available)	(not available)	(not available)	(not available)

† All power levels are stated gross torque at 2600 rpm per SAE J1940.  
‡ All power levels are stated gross HP at 3600 rpm per SAE J1940.

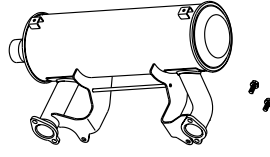
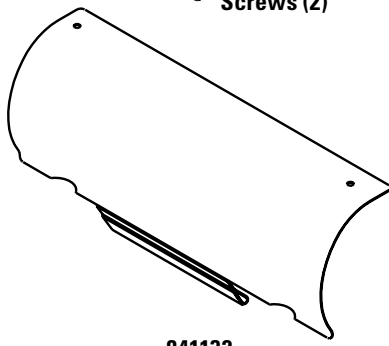
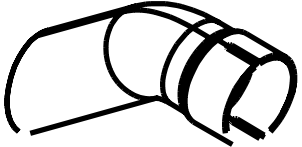
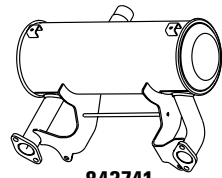
# 9-24 EXHAUST

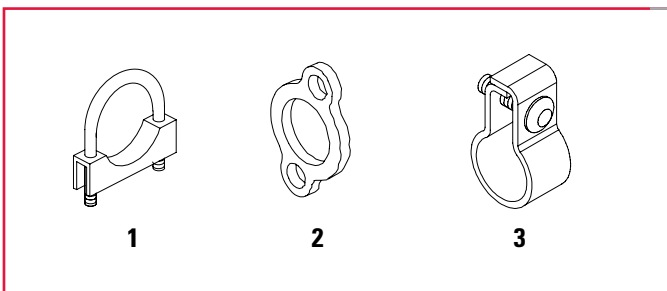
## Vanguard™ model 540000 low mount muffler

Engine Accessories  
Exhaust

Muffler	Manifold	Guard
 <p><b>841680</b> oil filter side</p>	 <p><b>841681</b></p>	 <p><b>841682</b></p>
 <p><b>842262</b> starter motor side</p>	 <p><b>842263</b></p>	

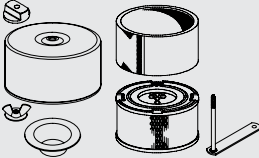
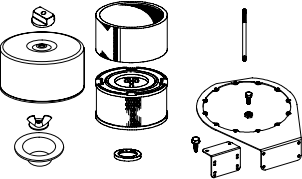
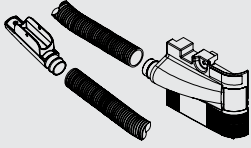

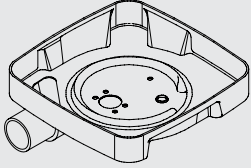



## Vanguard™ model 543400

Muffler	Manifold	Guard
 <p><b>809983</b> High mount muffler, oil filter side outlet</p>	 <p><b>692067</b> Screws (2)</p> <p><b>841132</b></p>	 <p><b>841518</b> 4"</p>
 <p><b>843741</b> High mount muffler, center outlet</p>		



### Muffler Clamps

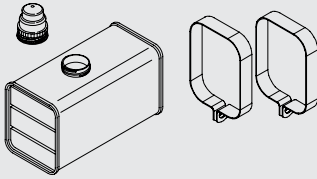
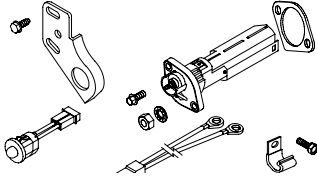
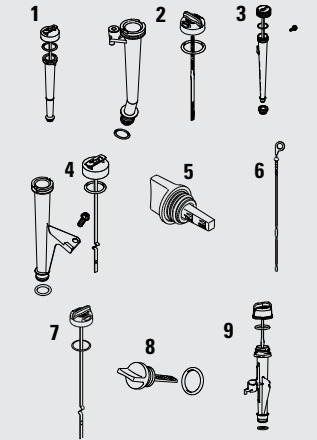
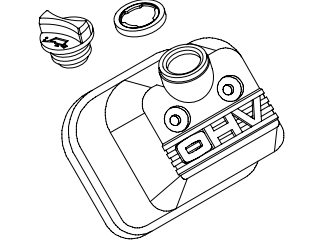
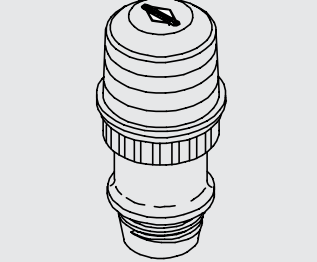
1. Used on Models 540000 & 610000, ID 1.62", **Part # 841968**
2. Used on Models 3504, 3507, 3514, 3517, ID 29MM, **Part # 690898**
3. Used on Models 19, 25, 35 Horizontal, ID 1.25", **Part # 691956**

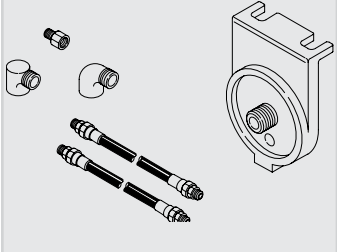
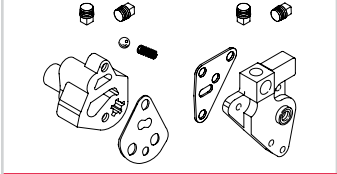

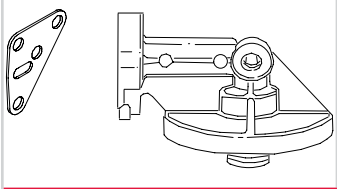
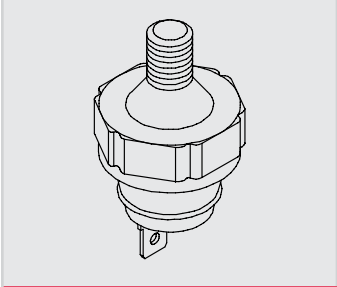
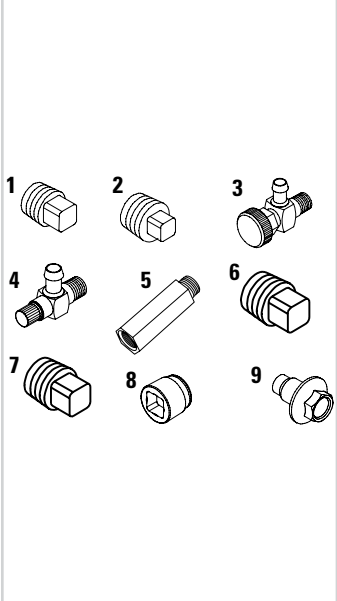
	<p><b>Dual Element Air Cleaner Kit</b></p>	<p>For 7 and 8 Gross HP<sup>†</sup> horizontal crankshaft engines with 2-piece flo-jet carburetors only,</p>	<p>393459</p>
	<p><b>Dual Element Air Cleaner Kit</b></p>	<p>For 10 and 11 Gross HP<sup>†</sup> vertical crankshaft engines with 1-piece flo-jet carburetors (pre world class carburetors only). Features larger capacity automotive type paper cartridge and oil-foam pre-cleaner for extended life. NOTE: Stud in this kit has a #10-32 UNF-2A thread.</p>	<p>399644</p>
	<p><b>Remote Air Intake Kits</b></p>	<p>For Quantum<sup>®</sup> power engines (including mounting hardware). Mount intake head at a remote location, e.g., handle bar. (Does not include air cleaner element), NOTE: Do not use these remote air intake kits on engines built after code date 95073100.</p>	<p>498204</p>
	<p><b>Remote Air Intake Kit Parts</b></p>	<p>Tubing kit (3 ft/.9m hose and 2 hose clamps, part # 94489).</p>	<p>494345</p>
	<p><b>Air Cleaner Base</b></p>	<p>Models 294400, 303400 and 350400 Vanguard™ V-Twin engine remote air cleaner. (Remote parts not supplied by Briggs &amp; Stratton.) NOTE: Do not use these remote air intake kits on engines built after code date 95073100.</p>	<p>842830</p>
	<p><b>Two Stage Centrifugal Air Cleaners</b></p>	<p>Housing &amp; filter assembly, 90 degree end, for 2 &amp; 3 cylinder L/C engines, Part # <b>825118</b> Housing &amp; filter assembly, straight end, for 2 &amp; 3 cylinder L/C engines, Part # <b>825117</b> Filter only for assemblies 825117 and 825118, Part # <b>820263</b> Housing &amp; filter assembly for 31 Gross HP<sup>†</sup> (540000) air-cooled V-Twin, Part # <b>809670</b> Filter for 809670, Part # <b>841497</b> Safety filter for 809670, Part # <b>821136</b></p>	<p>825118</p>
	<p><b>Air Filter Restriction Indicator</b></p>	<p>For all Vanguard BIG BLOCK™, small block, that use the Donaldson<sup>®</sup> Air Filtration System and 3 cylinder L/C diesel engines.</p>	<p>843024</p>
	<p><b>Rain Cap</b></p>		<p>809907</p>

† All power levels are stated gross torque at 2600 rpm per SAE J1940.  
‡ All power levels are stated gross HP at 3600 rpm per SAE J1940.



# 9-26 LUBRICATION

	<p><b>Fuel Tanks for Remote Mounting</b></p>	<p>Fuel Tank Capacity Fuel Tank and Cap Mounting Straps (2 Required)          4 qt. (3.8 L) Part # <b>290816</b> (metal) Part # <b>291367</b> or Part # <b>691993</b> (plastic)          6 qt. (5.7 L) Part # <b>291488</b> (metal) Part # <b>691937</b> (H 6.2", W 5.45", L 10.75")          8 qt. (7.5 L) Part # <b>292415</b> (metal) Part # <b>691937</b> (H 6.2", W 5.45", L 14.37")</p>	
	<p><b>Oil Gard Kits</b></p>	<p>Oil Gard automatically stops the engine if the oil level is too low. It can be added to I/C® and Vanguard™ engines equipped to receive it.  <b>Models (horizontal crankshaft)</b>          For 5 Gross HP† thru 11 Gross HP equipped to receive Oil Gard, Part # <b>398182</b>          For 9 Gross HP† Vanguard™, Part # <b>492697</b>          NOTE: Magnetic oil drain plug recommended with Oil Gard</p>	
	<p><b>Dipsticks</b></p>	<p>Be sure dipsticks fit on your application</p> <ol style="list-style-type: none"> <li>Models 110400, 121400, 123400, Part # <b>693617</b></li> <li>Models 110600, 111600, 120600, 121600, 122600, 126600, Part # <b>692047</b></li> <li>Models 310700, 311700, Part # <b>496415</b></li> <li>Models 405600, 406700, 445700, Part # <b>499602</b></li> <li>Models 120400, 204400, 205400, Part # <b>697689</b></li> <li>Models 303400, 350400, 381400 (after 98053100), Part # <b>693175</b></li> <li>Models 310000, Part # <b>699908</b></li> <li>Models 50032, Part # <b>715588</b></li> <li>Models 121Q00, 121S00, Part # <b>796501</b></li> </ol>	
	<p><b>Valve Cover Oil Fill</b></p>	<p>Valve cover oil fills are available for Vanguard™ V-Twin Models 30, 35, and 38 horizontal crankshaft engines.          Valve cover oil fill, if engine is not equipped with fuel pump, Part # <b>843749</b>          Valve cover oil fill, if engine is equipped with fuel pump, Part # <b>690910</b>          Oil fill cap (before assembly, cut dipstick from cap, if equipped), Part # <b>809500</b></p>	
	<p><b>Oil Minders</b></p>	<p>Gives visual indication of "safe" oil level with a touch of a finger.          Most 3 Gross HP thru 12 Gross HP† vertical crankshaft engines, Part # <b>692939</b>          Most 2 Gross HP thru 8 Gross HP† horizontal crankshaft engines, Part # <b>298858</b>          Most 9 Gross HP thru 16 Gross HP† cast iron cylinder horizontal crankshaft engines. Part # <b>298860</b></p>	<p>592239</p>

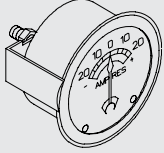
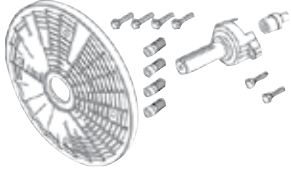

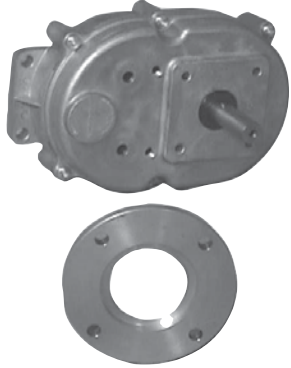
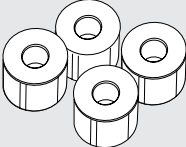
	<p><b>Remote Mounting Oil Filter Kits</b></p>	<p>For Vanguard™ V-Twin engines and Opposed Twin II™ engines equipped with full pressure lubrication.                  Length of Hoses: 18" (48 cm), Part # <b>492061</b>                  30" (76 cm), Filter not included, Part # <b>492062</b>                  To order parts separately: (2) 18" hoses, Part # <b>494724</b>                  (2) 30" hoses, Part # <b>494725</b>                  Oil filter kit without hoses, Part # <b>495244</b>                  NOTE: Opposed Twin II™ requires adapter kit <b>492675</b>.                  Vanguard™ requires adapter kit <b>492687</b></p>	
	<p><b>Oil Filter Adapter Kits</b></p>	<p>Opposed Twin II™ engines (includes spacer), Part # <b>492675</b>                  Vanguard™ V-Twin engines, Part # <b>492687</b>                  NOTE: Adapter has provision to receive oil pressure switches.</p>	
	<p><b>Oil Drip Tray</b></p>	<p>Models 540000 and 61000                  Bolts for drip tray, Part # 807435</p>	<p>809334</p>
	<p><b>Oil Filter Adapter</b></p>	<p>Oil filter adapter kit re-locates oil filter on Vanguard™ V-Twin horizontal crankshaft engines when muffler is mounted on oil filter side of engine (see page 10-20). Use mounting hardware from original adapter.                  NOTE: Adapter has provision to receive oil pressure switches.</p>	<p>808033</p>
	<p><b>Oil Pressure Switch</b></p>	<p>Oil pressure switches activate a warning light if oil pressure drops to an unsafe level. Available for V-Twin engines and Opposed Twin II™ cylinder engines equipped with full pressure lubrication and oil filter. This is a normally closed switch.                  2 PSI, Part # <b>690233</b>                  3-5 PSI, Part # <b>491657S</b>                  9-13 PSI, Part # <b>694115</b>                  All Switches are 1/8 x 27 NPTF.</p>	
	<p><b>Oil Drain Plugs &amp; Fittings</b></p>	<p>A magnetic oil drain plug is recommended with Oil Gard. 1/2 turn oil drain fitting makes oil changes easier.                  Models (horizontal crankshaft)</p> <ol style="list-style-type: none"> <li>1. 5 Gross HP†, 1/4 x 18 NPTF, Part # <b>691663</b></li> <li>2. 7 Gross HP† thru 11 Gross HP, 3/8 x 18 NPTF (magnetic), Part # <b>690289</b></li> <li>3. 5 Gross HP† and under, 1/4 x 18 NPTF (1/4" I.D. Dia.), Part # <b>492030</b></li> <li>4. Above 5 Gross HP†, 3/8 x 18 NPTF (1/2" I.D. Dia.), Part # <b>492031</b></li> <li>5. Vanguard™ single cylinder oil drain extension, Part # <b>715715</b></li> <li>6. Vanguard™ Twin, 3/8 x 18 NPTF, Part # <b>690946</b></li> <li>7. Model 12 horizontal, 1/4 x 18 NPTF, Part # <b>691686</b></li> <li>8. Intek™ V-Twin, 1/2" 3/8 x 18 NPTF recessed square, Part # <b>691680</b></li> <li>9. 2 cylinder liquid-cooled Vanguard™ 540000 &amp; 610000, M14 x 1.5 thread, Part # <b>807392</b></li> </ol>	

† All power levels are stated gross torque at 2600 rpm per SAE J1940.  
 ‡ All power levels are stated gross HP at 3600 rpm per SAE J1940.

# 9-28 ELECTRIC STARTERS

Engine Accessories  
Electric Starters

	<b>Electric Starter</b>	Single cylinder starter for aluminum ring gear	497595
	<b>Electric Starter</b>	Opposed twin cylinder tractor starter	497596
	<b>Electric Starter</b>	Fits Model 21 & 28 single cylinder starter for steel ring gear	593934
	<b>Electric Starter Kit</b>	Used on Model 15 Snow horizontal engines which are already equipped to receive an electric starter	796238
	<b>Electric Starter Kit</b>	Used on Model 20/21 Snow horizontal engines which are already equipped to receive an electric starter	795909
	<b>Electric Starter Kit</b>	Used on model 12/15 Snow engines.	798884
	<b>Electric Starter Kit</b>	Used on model 12/15 Snow engines.	799038
	<b>Electric Starter Kit</b>	Used on Model 11 (175cc) Vertical 775/Professional Series™ engines, Model 12 (190cc) Vertical 850/875/Professional Series™ engines, Model 14 (223cc) Vertical 950-1000 Series™ engines	799241

	<p><b>Ammeter &amp; Hour Meter</b></p>	<p>Ammeter by Stewart Warner, scale: 20-0-20 amps, Part # <b>295158</b> Hour meter by Hobbs, requires 12V battery, Part # <b>100025</b> NOTE: Both meters include mounting hardware.</p>																									
	<p><b>Stub Shaft Kit</b></p>	<p>For models 290000 and 380000, horizontal shaft Vanguard™ twin cylinder engines Kit includes: (1) Stub shaft (4) Screen Spacers, Part # 691500 (1) Alignment Pin, Part # 841581 (1) Rotating Screen, Part # 841582 (1) Hex Nut, Part # 690887 (1) Rotating Screen, Part # 494439 (2) Hex Head Screw, Part # 691088 (4) Recess Screw, Part # 841441 (4) Pan Head Screw, Part # 691647</p>	<p>841580</p>																								
	<p><b>Stub Shaft Kit</b></p>	<p>For model 540000 and 61000 V-Twin. Rotating screen, Part # 843429 Stub shaft: diameter 1-1/8", length 148 mm.</p>	<p>841304</p>																								
	<p><b>Noram™ Reduction Gearboxes</b></p>	<table border="1"> <thead> <tr> <th>Engine Model #</th> <th>Noram™ Adapter Kit #</th> <th>Noram™ Gearbox #</th> </tr> </thead> <tbody> <tr> <td>196400</td> <td>13500024</td> <td>61100 / 21100+</td> </tr> <tr> <td>235400</td> <td>13500015</td> <td>61100 / 21100+</td> </tr> <tr> <td>245400</td> <td>13500015</td> <td>61100 / 21100+</td> </tr> <tr> <td>138400</td> <td>1" dia. 12800010</td> <td>61100 6-1+</td> </tr> <tr> <td>138400</td> <td>12800010</td> <td>21100 2-1+</td> </tr> <tr> <td>185400</td> <td>N/A</td> <td>61100 6-1+</td> </tr> <tr> <td>185400</td> <td>N/A</td> <td>21100 2-1+</td> </tr> </tbody> </table> <p>NOTE: All engines must have a flange mount side cover. Noram output shaft size: diameter-1", length-3", keyway-1/4". + 1" dia. keyway crankshaft. <b>Contact your Briggs &amp; Stratton Integrated Distributor to order</b> NORAM: 4360 N. Green Bay Road Milwaukee, WI 53209 (414) 267-4000</p>	Engine Model #	Noram™ Adapter Kit #	Noram™ Gearbox #	196400	13500024	61100 / 21100+	235400	13500015	61100 / 21100+	245400	13500015	61100 / 21100+	138400	1" dia. 12800010	61100 6-1+	138400	12800010	21100 2-1+	185400	N/A	61100 6-1+	185400	N/A	21100 2-1+	<p>196400</p>
Engine Model #	Noram™ Adapter Kit #	Noram™ Gearbox #																									
196400	13500024	61100 / 21100+																									
235400	13500015	61100 / 21100+																									
245400	13500015	61100 / 21100+																									
138400	1" dia. 12800010	61100 6-1+																									
138400	12800010	21100 2-1+																									
185400	N/A	61100 6-1+																									
185400	N/A	21100 2-1+																									
	<p><b>Adapter Spacer Kit</b></p>	<p>For raising all Models 20 and 21 crankshaft height to the level of Model 190000 and 250000, adapters are 1" high and 1-1/8" wide.</p>	<p>695154</p>																								

† All power levels are stated gross torque at 2600 rpm per SAE J1940.  
‡ All power levels are stated gross HP at 3600 rpm per SAE J1940.

# 9-30 MISCELLANEOUS

## Stub Shaft And Alignment Pin Combinations\*\*

### Standard Length 4.750 Stub Shaft

#### Standard Vanguard™ V-Twin

Model #	Stub Shaft Kit Service Part #	Alignment-Pin Part #	Comments
<b>Currently (old stub shaft)</b>			
2904, 2944, 3034, 3044(GF)	841580	841581	
3504, 3544(GF), 3804, 3814, 3844(GF)	841580	none	No alignment pin used because it will not allow stub shaft to seat on flywheel properly.
<b>Replacing 262949 &amp; 805613 when available (new stub shaft)</b>			
2904, 2944, 3034, 3044(GF)	841580	841581	This combination must be used together. This set up insures better alignment than the old stub shaft and alignment pin listed above.
3504, 3544(GF), 3804, 3814, 3844(GF)	841580	none	No alignment pin because it will not allow stub shaft to seat on flywheel properly.
<b>Cooler Cleaner Vanguard™ V-Twin</b>			
Currently (old stub shaft)			
2954, 3054, 3094(GF)	841580	841581	
3564, 3594(G), 3854, 3864, 3894(GF)	841580	841581	Cooler cleaner flywheel mounting boss was eliminated therefore alignment pin needed.
<b>Replacing 262949 &amp; 805613 when available (new stub shaft)</b>			
2954, 3054, 3094(GF)	841580	841581	This combination gives better alignment than old set up.
3564, 3594(GF), 3854, 3864, 3894(GF)	841580	841581	This combination gives better alignment than old set up.

### Longer Stub Shaft 5.439" Long - Currently Now Available

(Primarily used on 35/38 cooler cleaner due to deeper blower housing)

#### Cooler Cleaner Vanguard™ V-Twin

Model No.	Stub Shaft Kit Service Part #	Alignment-Pin Part #	Comments
3564, 3594(GF), 3854, 3864, 3894(GF)	842655	841581	Longer stub shaft

\*Available as kit only

\*\*As of 8-9-05



† All power levels are stated gross torque at 2600 rpm per SAE J1940.  
‡ All power levels are stated gross HP at 3600 rpm per SAE J1940.

## ORDERING INFORMATION: Please Call 1-888-823-0954



### Batteries

Briggs & Stratton offers a complete line of high performance, maintenance free batteries, for fast reliable year-round starting power for garden tractors, snowmobiles, snow throwers and other small engine powered equipment.

### Briggs & Stratton® battery features:

1. Maintenance free all calcium grid design technology with rolled lead strip, features a finer grain structure for reduced corrosion, longer life and optimized performance.
2. Easy-to-install garden tractor/snowmobile batteries feature fast drop-in replacement and cover a wide range of equipment. "L" type terminals fits most common applications.
3. Innovative through-the-partition welds reduce electrical resistance and increase cold cranking performance for fast dependable starting every time.
4. The ruggedly constructed heat-sealed polypropylene case and cover resist impact and vibration damage for longer life.

### Turnkey Program

- 6 popular Briggs & Stratton® battery types
- Warranty batteries and cores picked up and credited
- Competitive pricing – Volume and seasonal buying
- Wet batteries delivered direct
- Monthly rotation of batteries
- 6 Months free replacement

BCI Group Size	Battery Type	Cranking AMPS @ 0°F	Reserve Capacity (mins.) @ 80°F	Approx. Wt. (lbs.) Wet	Application
U1	BSGT	165	17	15	up to 10 Gross HP <sup>†</sup> engines
U1	BSGT-H	235	25	15	up to 17 Gross HP <sup>†</sup> engines
U1R	BSGT-R*	235	25	15	up to 17 Gross HP <sup>†</sup> engines
U1	BSGT-X	300	34	16	up to 24 Gross HP <sup>†</sup> engines
U1R	BSGT-XR*	300	34	16	up to 24 Gross HP <sup>†</sup> engines
U1	BSGT-XHD	350	38	20	25 Gross HP <sup>†</sup> engines or above

\*Positive and negative terminals are reversed

Retail Parts  
& Accessories

Batteries



Battery Poster



Battery Countermat

### 9-Rack Battery Display

Utilizes 3 sq. feet of floor space, black, powder-coated, gloss finish, durable, tubular steel construction, E-Z Snap Design allows for quick assembly and requires no tools or hardware.

Exide Part No. Rack 59781

### 9-Rack Battery Display Header

<sup>†</sup> All power levels are stated gross HP at 3600 rpm per SAE J1940.

# 10-2 DISPLAY PACKS



Retail Parts & Accessories  
Display Packs

		<b>Air Filter Cartridge w/Pre Cleaner</b>	Use on 12.5-20 Gross HP <sup>†</sup> Horizontal L-Head Twin & most Vanguard™ OHV V-Twin, Air Filter Cartridge 394018S & Pre-Cleaner 272490S	5050	Case Pack Qty - 5
		<b>Air Filter Cartridge w/Pre Cleaner</b>	Use on 12.5-17 Gross HP <sup>†</sup> Single Cylinder Engines, Air Filter Cartridge 496894S & Pre-Cleaner 272403S	5053	Case Pack Qty - 5
		<b>Air Filter Cartridge w/Pre Cleaner</b>	Use on 825-875 Series™, Intek™ Model 121600 OHV, Intek™ 5.5-6.75 Gross HP <sup>†</sup> engines, Air Filter Cartridge 697029 & Pre-Cleaner 273356S	5059	Case Pack Qty - 4
		<b>Air Filter Cartridge w/Pre Cleaner</b>	Use on Extended Life Series™ Version use 5069; 18-26 Gross HP <sup>†</sup> Intek™ V-Twin engines, Air Filter Cartridge 499486S & Pre-Cleaner 273638	5063	Case Pack Qty - 5
		<b>Extended Life Series™ Air Filter Cartridge w/Pre-Cleaner</b>	Use on Extended Life Series™ Version of 5063; 18-26 Gross HP <sup>†</sup> Intek™ V-Twin engines, Air Filter Cartridge 689754 & Pre-Cleaner 273638	5069	Case Pack Qty - 5
		<b>Air Filter- Foam Element</b>	Use on 3.5-3.75 Gross HP <sup>†</sup> Classic Sprint Engines after 1992; 4.0 Gross HP <sup>†</sup> Quattro Engines Air Filter Foam Element 272235S	5047	Case Pack Qty - 8
		<b>Air Filter Cartridge</b>	Use on 625e, 675ex, 725ex Series™, 625-675 Series™, 3.5-6.75 Gross HP <sup>†</sup> Quantum® engines, Air Filter Cartridge 491588S	5043	Case Pack Qty - 14
		<b>Air Filter Cartridge w/Pre Cleaner</b>	Use on 10-12 Gross HP <sup>†</sup> Vertical engines, Air Filter Cartridge 399806S & Pre-Cleaner 271962S	5048	Case Pack Qty - 5
		<b>Air Filter Cartridge w/Pre Cleaner</b>	Use on 12.5-20 Gross HP <sup>†</sup> L-Head Twin Vertical engines, Air Filter Cartridge 394019S & Pre-Cleaner 272490S	5052	Case Pack Qty - 5
		<b>Air Filter Cartridge w/Pre Cleaner</b>	Use on Europa™ (9 CID) OHV Vertical engines, Air Filter Cartridge 497725S & Pre-Cleaner 273185S	5055	Case Pack Qty - 4
		<b>Pre-Cleaner</b>	Use on 825-1575 Series™, 3.5-6.5 Gross HP <sup>†</sup> Quantum®, 5.5-7.0 Gross HP <sup>†</sup> Intek™, 5.5-11.0 Gross HP Horizontal engines, Pre-Cleaner 493537S	5064	Case Pack Qty - 9

# DISPLAY PACKS 10-3



		<b>AVS® Air Filter Cartridge</b>	Use on 14-18 Gross HP <sup>†</sup> I/C <sup>®</sup> , Intek™, OHV & AVS® engines, Filter 698083 w/697015 Pre-cleaner.	5077	Case Pack Qty - 5
		<b>AVS® Air Filter Cartridge w/Pre-Cleaner</b>	Use on 8-15 Gross HP <sup>†</sup> Power Built™, OHV, I/C <sup>®</sup> & AVS® engines Air Filter Cartridge 797007 & Pre-Cleaner 697292		Case Pack Qty - 8
		<b>Air Filter Upgrade Kit</b>	Use on 300-550 Series™, Classic™, Sprint™, Quattro™, and Q™45 3-5 Gross HP <sup>†</sup> engines, Replaces all Briggs & Stratton® foam filters Oil packet included while supplies last	5099	Case Pack Qty - 5
		<b>Extended Life Series™ Air Filter Cartridge</b>	Use on V-Twin 160-27.0 Gross HP <sup>†</sup> engines, Air Filter Cartridge 792105 Uses pre-cleaner 276890	5405	Case Pack Qty - 3
		<b>Air Filter/Pre-Cleaner</b>	Use on Single Cylinder Engines 20-21 Gross HP <sup>†</sup> , Air Filter Cartridge 793569 & Pre-Cleaner 793685	5415	Case Pack Qty - 5
		<b>Air Filter/Pre-Cleaner</b>	Use on 13.5-19.5 Gross HP <sup>†</sup> and Intek™ V-Twin 18.0-27.0 Gross HP <sup>†</sup> engines. Model 31 Air Filter Cartridge 796031 & Pre-Cleaner 797704	5428	Case Pack Qty - 5
		<b>Air Filter Cartridge w/Pre-Cleaner</b>	Use on 8-12 Gross HP <sup>†</sup> single cylinder Power Built™ engines, Air Filter Cartridge 691667 & Pre-Cleaner 272477	5075	Case Pack Qty - 5
		<b>Extended Life Series™ Air Filter Cartridge</b>	Use on Extended Life Series™ Version of 5077, 14-18 Gross HP <sup>†</sup> I/C <sup>®</sup> , Intek™, OHV, Extended Life Series™ & AVS® engines, 795115 ELS AIR FILTER	5078	Case Pack Qty - 6
		<b>Air Filter- Foam Element</b>	Use on 450-600 Series™, 3.5-4.5 Gross HP <sup>†</sup> Q™45, Classic™, Sprint™, & Quattro™ engines with plastic air cleaner housings, Air Filter Foam Element 698369	5088	Case Pack Qty - 5
		<b>Air Filter Cartridge</b>	Use on 3.5-4 Gross HP <sup>†</sup> engines, 475-525 Series™, Air Filter Cartridge 790166	5404	Case Pack Qty - 5
		<b>Air Filter Cartridge w/Pre-Cleaner</b>	Use on Intek™ V-Twin 18.0-27.0 Gross HP <sup>†</sup> engines, Air Filter Cartridge 792101 and Pre-Cleaner 273638S	5408	Case Pack Qty - 5

Retail Parts  
& Accessories

Display Packs

† All power levels are stated gross torque at 2600 rpm per SAE J1940.  
‡ All power levels are stated gross HP at 3600 rpm per SAE J1940.



# 10-4 DISPLAY PACKS



Retail Parts & Accessories  
Display Packs

		<b>Air Filter Cartridge w/Pre-Cleaner</b>	Use on Professional Series™ 7.75, 8.50, 8.75 engines, Air Filter Cartridge 796254 & Pre-Cleaner 795066		5419	Case Pack Qty - 5
		<b>Air Filter Cartridge</b>	Use on 550e-550ex Series™ Air Filter Cartridge 798452		5432	Case Pack Qty - 5
		<b>Air Filter- Foam Element</b>	Use on 550e-550ex Series™ Air Filter Cartridge 799579		5434	Case Pack Qty - 5
		<b>Air Filter Cartridge w/Pre-Cleaner</b>	Use on 9.0-12.5 Gross HP† engines Air Filter Cartridge 796032 & Pre-Cleaner 798911		5429	Case Pack Qty - 5
		<b>Air Filter Foam Element</b>	Use on 675-875 Series™ (Pressure Washer Applications Only). Air filter foam element 797301		5433	Case Pack Qty - 5
		<b>Diaphragm Kit</b>	Use on 450-600 Series™, 2-5 Gross HP† Horizontal engines DIAPHRAGM/CARB KIT-272538S Spring 692206 & Spring Cap 690766		5021	Case Pack Qty - 9
		<b>Fuel Hose w/Clamps</b>	Fits most engines 25" Fuel Line (w/4 95162S Clamps) Fuel Hose 283207, Clamps 791850		5414	Case Pack Qty - 5
		<b>Fuel Filter</b>	Use on rider/tractor engines with fuel pumps, Fuel Filter 691035 (40 Micron)		5065	Case Pack Qty - 9
		<b>Carburetor Gasket w/Diaphragm</b>	Use on Sprint™ and Quattro™ engines, Carburetor Gasket with 795083/495770 Diaphragm		5083	Case Pack Qty - 6
		<b>Fuel Filter Assembly</b>	Use on 7-15 Gross HP† rider/ tractor engines without fuel pump) Fuel Filter 298090S (150 Micron)		5018	Case Pack Qty - 9
		<b>Fuel Filter Assembly</b>	Fuel Filter 394358S (75 Micron)		5098	Case Pack Qty - 5

# DISPLAY PACKS 10-5



		<b>Fuel Shut-off Valve</b>	Use on Quantum® & Selected Models 698183 In-line Valve		5091	Case Pack Qty - 5
		<b>Ignition Switch - 6 Terminal</b>	Fits most electric starter engines with 6 terminal ignition switch 092377MA		5411	Case Pack Qty - 5
		<b>Ignition Switch - 7 Terminal</b>	Fits most electric starter engines with 7 terminal ignition switch 092556MA		5412	Case Pack Qty - 5
		<b>Oil Drain Valve</b>	Use on V-Twin Vanguard™ except M61 or M54, Cap & hose, for easy oil draining without tools, 1/4 turn oil drain & hose, thread pitch - 3/8 x 18 NPTF		5401	Case Pack Qty - 5
		<b>Primer Bulb</b>	Use on 625-875 Series™, 3.5-6.75 Gross HP† Quantum®, Intek™ 6.5-7.0 Gross HP engines, Primer Bulb 694395		5085	Case Pack Qty - 9
		<b>Solenoid - 3 Terminal</b>	Fits most 12-volt starters 3 terminal solenoid 745000MA		5409	Case Pack Qty - 5
		<b>Solenoid - 4 Terminal</b>	Fits most 12-volt starters 4 terminal solenoid 745001MA		5410	Case Pack Qty - 5
		<b>Pinion Gear</b>	Starter Pinion Gear 695708 Aluminum & plastic ring gears only		5086	Case Pack Qty - 6
		<b>Fuel Tank Cap</b>	Use on 625-675 Series™, 3.5-6.75 Gross HP Vertical Max, Quantum® & Europa™ engines, Fuel Tank Cap 692046		5044	Case Pack Qty - 8
		<b>Fuel Tank Cap</b>	Use on 450-600 Series™, 3-4 Gross HP† engines, Fuel Tank Cap 497929S		5057	Case Pack Qty - 9
		<b>Fuel Cap</b>	450e, 500e, 550e & 550ex, 625ex, 675ex & 725ex Series™, 950-1000 Series™, Professional Series™ 7.75-8.75	799585	5436	

Retail Parts  
& Accessories

Display Packs

† All power levels are stated gross torque at 2600 rpm per SAE J1940.  
‡ All power levels are stated gross HP at 3600 rpm per SAE J1940.



# 10-6 DISPLAY PACKS



Retail Parts & Accessories  
Display Packs

		<b>Ignition Kit - Tune-up</b>	No longer sold or available. Use on 2-8 Gross HP <sup>†</sup> engines with breaker point ignition, Breaker Points 294628, Spark Plug 802592S, Plunger 65704S & Flywheel Key 222698S		5020	Case Pack Qty - 9
		<b>Extended Life Series™ Oil Filter</b>	Use on Extended Life Series™ Version of 5049, Oil Filter 696854		5076	Case Pack Qty - 5
		<b>Oil Filter</b>	Oil Filter 492932S, For Extended Life Series™ Version use 5076		5049	Case Pack Qty - 5
		<b>Primer Bulb</b>	No longer sold or available. Use on 450-600 Series™, Sprint™ and Quattro™ engines, Primer Bulb 694394		5084	Case Pack Qty - 9
		<b>Extended Life Series™ Spark Plug (Platinum)</b>	Use on Selected OHV engines; Extended Life Series™ Version of 496018S/5092 Platinum Spark Plug 696202		5066	Case Pack Qty - 8
		<b>Spark Plug RJ19LM</b>	Fits most Briggs & Stratton® engines, except OHV Spark Plug RJ19LM (802592S)		5095	Case Pack Qty - 8
		<b>Extended Life Series™ Spark Plug (Platinum)</b>	Fits selected Briggs & Stratton® OHV engines; Extended Life Series™ Version of 496018S/5092 Two Spark Plugs 696202		5420	Case Pack Qty - 8
		<b>Extended Life Series™ Spark Plug (Platinum)</b>	Used on Selected L-Head engines; Extended Life Series™ Version of 802592S/5095 Platinum Spark Plug 796560		5062	Case Pack Qty - 8
		<b>Spark Plug RC14YC/RC12YC</b>	Fits most Briggs & Stratton OHV engines Spark Plug RC14YC/RC12YC (496018S)		5092	Case Pack Qty - 8
		<b>Spark Plug</b>	Spark Plug 591868. Used on 625e, 675ex, 725ex Series™, 625-675 Series™, and Quantum™ 3.5-6.75 Gross HP <sup>†</sup> engines.		5435	Case Pack Qty - 8
		<b>Flywheel Key</b>	Used on most engines (3) OF 222698S FLYWHEEL KEY Flywheel Keys (3 of 222698S)		5002	Case Pack Qty - 9
		<b>Muffler</b>	Used on 450-550 Series™, 3-5 Gross HP <sup>†</sup> Vertical engines, Muffler 394569S Life Warranty Information supplied with each package		5019	Case Pack Qty - 5



† All power levels are stated gross torque at 2600 rpm per SAE J1940.  
‡ All power levels are stated gross HP at 3600 rpm per SAE J1940.

# DISPLAY PACKS 10-7



		<b>Starter Rope w/Handle</b>	Handle Grip 691915 & Rope 280399S	5042	Case Pack Qty - 8
		<b>Starter Repair Kit</b>	Rope- 280399S, Handle- 691915 Rewind Tool- 19409	5054	Case Pack Qty - 7
		<b>Starter Kit, Single Cylinder</b>	Used on most Single Cylinder & V-Twin engines; 8-26 Gross HP <sup>†</sup> Original replacement starter Kit includes second pinion gear	5406	Case Pack Qty - 10
		<b>Starter Kit, Opposed Twin</b>	Used on Opposed Twin Engines, Original replacement starter for Opposed Twin Engines, 14-24 Gross HP <sup>†</sup> , Kit includes second pinion gear	5407	Case Pack Qty - 10
		<b>Maintenance Minder™ (Hour Meter)</b>	Use on 2 and 4-cycle engines Display flashes every 25 hours run time	5081	Case Pack Qty - 8
		<b>Battery Cable - Positive</b>	Poly-Vinyl Insulated; 3/8" lug - 18" Length	5416	Case Pack Qty - 5
		<b>Spark Plug Wrench</b>	195765 fits 5/8" and 13/16" Hex Spark Plugs	5402	Case Pack Qty - 5
		<b>Starter Spring</b>	Starter Spring 490179	5010	Case Pack Qty - 10
		<b>Battery Cable - Negative</b>	Poly-Vinyl Insulated 3/8" lug - 18" Length	5417	Case Pack Qty - 5
		<b>Key for Snow Engine</b>	Fits most engines	5423	Case Pack Qty - 5
		<b>Snowthrower Shear Pins</b>	Fits snowthrower models 928E, 1130SE, 1332PE	1687404K	Case Pack Qty - 5
		<b>Shear Pin Kit</b>	Fits most snowthrowers Dual stage models from 2009 and prior	742551MA 42551KMA	Case Pack Qty - 5

Retail Parts & Accessories  
Display Packs









† All power levels are stated gross torque at 2600 rpm per SAE J1940.  
‡ All power levels are stated gross HP at 3600 rpm per SAE J1940.



# 10-8 TUNE-UP KITS







Retail Parts & Accessories  
Tune-Up Kits

	<b>450-600 Series™, Classic™, Spring™, Quattro™ 3.5-4 Gross HP†, Tune-Up Kit</b>	4-cycle 30W oil 18oz 100005; foam air filter 272235S; spark plug 802592S; fuel treatment & stabilizer 100120	5107		Case Pack Qty - 12
	<b>Single Cylinder Tractor 10.5-13.5 Gross HP† Tune-Up Kit</b>	4-cycle 30W oil 48oz 100028; air filter cartridge 496894S; pre-cleaner 272403S; spark plug 802592S; fuel treatment & stabilizer 100120	5109		Case Pack Qty - 6
	<b>Intek™ Extended Life Series™ V-Twin 18-26 HP† Tune-Up Kit</b>	4-cycle 30W oil 18oz 100005; 4-cycle 30W oil 48oz 100028; oil filter 696854; air filter 698754; pre-cleaner 273638; (2) spark plugs 496018S; fuel treatment & stabilizer 100120; fuel filter 691035; (2) clamps 691038	5111		Case Pack Qty - 4
	<b>Vanguard™ V-Twin 12.5-18 Gross HP† Tune-Up Kit</b>	4-cycle 30W oil 18oz 100005; 4-cycle 30W oil 48oz 100028; oil filter 492932S; air filter cartridge 394018S; pre-cleaner 272490S; (2) spark plugs 491055S; fuel treatment & stabilizer 100120; fuel filter 691035; (2) hose clamps 95162S	5119		Case Pack Qty - 4
	<b>Intek™ 15.5, 17-17.5 Gross HP† Tune-Up Kit</b>	4-cycle 30W oil 18oz 100005; 4-cycle 30W oil 48oz 100028; fuel stabilizer 5041; spark plug 499950; pre-filter 697015; air filter cartridge 698083; oil filter 492932S; fuel filter 394358S; (2) hose clamps 95162S	5127		Case Pack Qty - 4
	<b>Q™ 45, Classic™, Sprint, Quattro™ 3.5-4.75 Gross HP† Tune-Up Kit (for engines with plastic air cleaner housings)</b>	4-cycle 30W oil 18oz 100005; fuel treatment & stabilizer 100120; foam air filter 799579 and standard air filter 798452; spark plug 802592S	5129		Case Pack Qty - 12
	<b>Professional Series™, 775-1000 Series™ Engines, Tune-Up Kit</b>	4-cycle 30W oil 18oz 100005; air filter 796254; pre-cleaner 795006; spark plug 496018S; fuel treatment & stabilizer 100120	5131		Case Pack Qty - 12
	<b>Professional Series™ V-Twin, Extended Life Series™ V-Twin Engines 23-30 gross HP†</b>	4-cycle 30W oil 18oz 100005 & 48oz 100028; fuel treatment and stabilizer 100120; air filter 792105; spark plug 496018S; oil filter 696854	5134		Case Pack Qty - 4
	<b>Intek™ Series Engines 20-21 gross HP†</b>	4-cycle 30W oil 18oz 100005 & 48oz 100028; fuel treatment and stabilizer 100120; air filter/pre-cleaner 793569/793685; spark plug 496018S; oil filter 696854	5135		Case Pack Qty - 4

# TUNE-UP KITS - OIL REMOVAL KITS 10-9



	<b>Power Built™ Series, Intek™ Series, Professional Series™ Engines 13.5-19.5 gross HP†</b>	4-cycle 30W oil 48oz 100028; fuel treatment and stabilizer 100120; air filter/pre-cleaner 5428; spark plug 496018S; oil filter 492932S	5136		Case Pack Qty - 4
	<b>Power Built™ Series, Intek™ Series Engines 10.5-12.5 gross HP†</b>	4-cycle 30W oil 48oz 100028; fuel treatment and stabilizer 100120; air filter/pre-cleaner 5429; spark plug 496018S; oil filter 492932S	5137		Case Pack Qty - 4
	<b>550e-550ex Series™ engines</b>	4-cycle 30W oil 18oz 100005; fuel treatment and stabilizer 100120; foam air filter 698369 or high capacity air filter 798452; spark plug 496018S	5138		Case Pack Qty - 12
	<b>625e, 675ex, 725ex Series™, 625-675 Series™, and Quantum™ 3.5-6.75 Gross HP† Engines</b>	4-cycle 30W oil 18oz 100005; fuel treatment and stabilizer 100120; foam air filter 797301 or high capacity air filter 491588S; spark plug 591868	5139		Case Pack Qty - 12
	<b>625e, 675ex, 725ex Series™, 625-675 Series™, and Quantum™ 3.5-6.75 Gross HP† Engines</b>	4-cycle 30W oil 18oz 100005; fuel treatment and stabilizer 100120; air filter 491588S; spark plug 591868	5140		Case Pack Qty - 12
	<b>Oil Removal Kit</b>	1.6 liter oil removal pump. Suitable for the extraction of oil and water from cars, motorcycles, commercial vehicles, marine engines, stationary engines and other machinery. Hose allows fluid to be extracted through filler or dipstick holes. Up to 1.6L of fluid can be collected without mess or spillage. Contents: Collection Tank - 1.6L, Siphon Pump, Universal Adaptor, Suction Hose, Cap (large) - tank	5430		Case Pack Qty - 6
	<b>4L Oil &amp; Fluid Extractor Pump</b>	4 liter manual oil and fluid removal pump. Suitable for the extraction of oil, water and fuel from cars, motorcycles, commercial vehicles, marine engines, stationary engines and other machinery. Long reach hose allows fluid to be extracted through filler or dipstick holes. Up to 4L of fluid can be collected without mess or spillage. Contents: Collection Tank - 4.0L, Siphon Pump, Suction Hose, Cap (small) - Suction Hose, Cap (large) - tank, Funnel, Shut-Off clip	5431		Case Pack Qty - 6

Retail Parts & Accessories

Tune-Up Kits

† All power levels are stated gross torque at 2600 rpm per SAE J1940.  
‡ All power levels are stated gross HP at 3600 rpm per SAE J1940.

# 10-10 PARTS CROSS REFERENCE

Retail Parts  
& Accessories

Parts Cross Reference

Red Box Part #	Display Part #	Shop Pack Part #	Shop Pack Qty.	Description
222698S	5002	4181, 4144	10, 50	Flywheel Key
490179	5010	N/A	N/A	Recoil Spring
298090S	5018	4105	5	Fuel Filter
394569S	5019	N/A	N/A	Muffler
	5020			Ignition Kit
272538	5021	4168	5	Diaphragm
691915	5042	N/A	N/A	Starter Grip
491588S	5043	4101	5	Air Filter Cartridge
692046	5044	4227, 4149	5, 20	Fuel Tank Cap
272235S	5047	4107	6	Air Filter Element
399806S	5048	4138	4	Air Filter Cartridge
492932S	5049	4154	12	Oil Filter
394018S	5050	4135	4	Air Filter Cartridge
394019S	5052	4136	4	Air Filter Cartridge
496894S	5053	4139	4	Air Filter Cartridge
691915	5054	N/A	N/A	Starter Grip
497725S	5055	4197	4	Air Filter Cartridge
497929S	5057	4132, 4150	5, 20	Fuel Tank Cap
697029	5059	4207	4	Air Filter Cartridge
796560	5062	4175	24	Spark Plug
499486S	5063	N/A	N/A	Air Filter Cartridge
493537S	5064	4147	5	Pre-cleaner
691035	5065	4129	5	Fuel Filter
696202	5066	4173	24	Spark Plug
698754	5069	4209	6	Air Filter Cartridge
691667	5075	4166	5	Air Filter Cartridge
797008	5076	4206	12	Oil Filter
797008	5077	4214	6	Air Filter Cartridge
795115	5078	4211	6	Air Filter Cartridge
797007	5079	4213	6	Air Filter Cartridge
N/A	5081	4210	10	Maintenance Minder®
795083	5083	N/A	N/A	Diaphragm
694394	5084	4178	5	Primer Bulb
694395	5085	4180	5	Primer Bulb
695708	5086	4194	5	Pinion Gear
698369	5088	4216	6	Air Filter Element
698183	5091	N/A	N/A	Fuel Shut-off Valve
496018S	5092	496018T	500	Spark Plug











Red Box Part #	Display Part #	Shop Pack Part #	Shop Pack Qty.	Description
802592S	5095	802592T	300	Spark Plug
699798B	5096	N/A	5	Fresh Start® Cap
394358S	5098	4112	5	Fuel Filter
	5099			Air Filter Upgrade Kit
	5401			Oil Drain Valve
195765	5402			Spark Plug Wrench
790166	5404	N/A	N/A	Air Filter Cartridge
792105	5405	4233	4	Air Filter Cartridge
	5406			Starter Kit, Single Cylinder
	5407			Starter Kit, Opposed Twin
792101	5408	N/A	N/A	Air Filter Cartridge
745000MA	5409			Solenoid - 3 Terminal
745001MA	5410			Solenoid - 4 Terminal
092377MA	5411			Ignition Switch - 6 Terminal
092556MA	5412			Ignition Switch - 7 Terminal
	5414			Fuel Hose w/Clamps
793569	5415	N/A	N/A	Air Filter Cartridge
	5416			Battery Cable - Positive
	5417			Battery Cable - Negative
795066	5419	NA	NA	Air Filter Cartridge
696202	5420			Spark Plug, Extended Life Series
796031	5421			Air Filter Cartridge
794696	5423			Key for Snow Engine
N/A	5425			Air Filter Upgrade Kit
796031	5428		5	Air Filter Cartridge
796032	5429		5	Air Filter Cartridge
798452	5432	4247	5	Air Filter Cartridge
797301	5433	4249	5	Air Filter - Foam Element
799579	5434	4248	5	Air Filter - Foam Element
591868	5435		8	Spark Plug
799585	5436			Fuel Cap
	1687404		5	Snow Thrower Shear Pins
	742251MA		5	Shear Pin Kit



† All power levels are stated gross torque at 2600 rpm per SAE J1940.  
‡ All power levels are stated gross HP at 3600 rpm per SAE J1940.

# FUEL CONTAINERS & SPOUT 10-11



	<b>1+ Gallon Smart-Fill® Gas Can</b>	Made of durable plastic and equipped with a self-venting, child-resistant spout with angled tip for safer and easier pouring. Container is EPA compliant*	85013		Case Pack Qty - 8
	<b>2+ Gallon Smart-Fill® Gas Can</b>	Made of durable plastic and equipped with a self-venting, child-resistant spout with angled tip for safer and easier pouring. Container is EPA compliant*	85023		Case Pack Qty - 6
	<b>5 Gallon Smart-Fill® Gas Can</b>	Made of durable plastic and equipped with a self-venting, child-resistant spout with angled tip for safer and easier pouring. Container is EPA compliant*	85053		Case Pack Qty - 3
	<b>5 Gallon Smart-Fill® Diesel Can</b>	Made of durable plastic and equipped with a self-venting, child-resistant spout with angled tip for safer and easier pouring. Container is EPA compliant*	85056		Case Pack Qty - 3
	<b>5 Gallon Smart-Fill® Metal Gas Can</b>	Metal gas can is equipped with self-venting, child-resistant spout with angled tip for safer and easier pouring. Container is EPA compliant*	85043		Case Pack Qty - 4
	<b>5 Gallon Smart-Fill® Kerosene Can</b>	Made of durable plastic and equipped with self-venting, child-resistant spout with angled tip for safer and easier pouring. Container is EPA compliant*	85059		Case Pack Qty - 3
	<b>1.5 Gallon Gas/2.5 Quart Oil Smart-Fill® Fuel Can</b>	Made of durable plastic and equipped with self-venting, child-resistant spout with angled tip for safer and easier pouring. Container is EPA compliant*	85310		Case Pack Qty - 3
	<b>6 Gallon Smart-Fill® Gas Can</b>	Made of durable plastic and equipped with self-venting, child-resistant spout with angled tip for safer and easier pouring. Container is EPA compliant*	85060		Case Pack Qty - 3
	<b>Replacement Smart Fill® Spout</b>	Smart Fill® spout: Self-venting, child-resistant spout. Angled tip allows you to see inside container while pouring	85040		Case Pack Qty - 48
	<b>2+ Gallon Smart-Fill® Gas Can Floor Display</b>	Measurements: 43" x 24-1/4" x 46"	88023		Case Pack Qty - 48

Retail Parts & Accessories

Fuel Containers & Spout

\*Complies with U.S. EPA regulation on portable fuel containers (40 CFR, Part 59)

† All power levels are stated gross torque at 2600 rpm per SAE J1940.

‡ All power levels are stated gross HP at 3600 rpm per SAE J1940.















# 11-1 MAINTENANCE CARE



Retail Parts & Accessories  
Grease & Engine Oil

	<b>Fresh Start® Cap</b>	For Quantum® engines, Contains 1 cap 796654 & 1 cartridge 699998		5096	Case Pack Qty - 5
	<b>Fresh Start® Replacement Cartridges</b>	2 replacement cartridges 699998 Use with 5096 and 5413 Fresh Start® Caps		5097	Case Pack Qty - 5
	<b>Carburetor/Choke Cleaner</b>	Quickly dissolves carburetor deposits Reduces downtime, Improves starting, 100041 8 oz. (227g) 100042 16 oz. (454g)	100041 100042		Case Pack Qty - 12
	<b>Heavy-Duty Degreaser</b>	15 oz. can Powerful, industrially formulated cleaner, For quick removal of oil, hydraulic fluids & related contaminants	100044		Case Pack Qty - 12
	<b>High-Performance Grease</b>	14 oz. (397g) Moly/graphite provides maximum anti-wear protection Ideal for industrial, automotive, & outdoor power equipment	100059		Case Pack Qty - 10 Cartr.
	<b>Penetrating Oil</b>	11 oz. (312g) can Superfast, powerful, concentrated penetrating solvent Frees rusted nuts & bolts faster; Displaces moisture & lubricants.	100070		Case Pack Qty - 12
	<b>Briggs &amp; Stratton® Advanced Formula Fuel Treatment &amp; Stabilizer</b>	4 fl. oz. Treats 20 gallons of gasoline Maintains fuel stability for up to 3 years with triple antioxidant protection	100117		Case Pack Qty - 12
	<b>Briggs &amp; Stratton® Advanced Formula Fuel Treatment &amp; Stabilizer</b>	8 fl. oz. Treats 40 gallons of gasoline Maintains fuel stability for up to 3 years with triple antioxidant protection	100118		Case Pack Qty - 12
	<b>Briggs &amp; Stratton® Advanced Formula Fuel Treatment &amp; Stabilizer</b>	16 fl. oz. Treats 80 gallons of gasoline Maintains fuel stability for up to 3 years with triple antioxidant protection	100119		Case Pack Qty - 12
	<b>Briggs &amp; Stratton® Advanced Formula Fuel Treatment &amp; Stabilizer</b>	0.5 fl. oz. pouch Treats 2.5 gallons of gasoline Maintains fuel stability for up to 3 years with triple antioxidant protection	100120		Case Pack Qty - 500



† All power levels are stated gross torque at 2600 rpm per SAE J1940.  
‡ All power levels are stated gross HP at 3600 rpm per SAE J1940.

# GREASE & ENGINE OILS 11-2



	<b>Briggs &amp; Stratton® Advanced Formula Fuel Treatment &amp; Stabilizer Display</b>	0.5 fl. oz. pouch Treats 2.5 gallons of gasoline Maintains fuel stability for up to 3 years with triple antioxidant protection	100126		Case Pack Qty - 50
	<b>Tire Sealant</b>	Tire Protection System, Guaranteed for the life of your tire. For use on tractors, wheel barrows, cement mixers & log splitters. Includes tire gauge. 100032R 16 oz. Case Pack Qty - 10 100033R 32 oz. Case Pack Qty - 8 AM-3023 Floor Display 100034R 5 gallon tub	100032R 100033R 100034R		
	<b>Grease Gun Kit - Simple One Handed Operation</b>	No longer sold or available. Contains steel grease gun, application tube & one 3 oz. grease cartridge	100057		Case Pack Qty - 6
	<b>Grease Gun Refill Kit</b>	Grease refill cartridges for Grease Gun Kit 100057	100058		Case Pack Qty - 6
	<b>Motor Oil 4-Cycle</b>	18 oz. High quality SAE 30W detergent oil. Specially formulated for higher operating temperatures of air-cooled engines	100005		Case Pack Qty - 12
	<b>Motor Oil 4-Cycle</b>	48 oz. High quality SAE 30W detergent oil. Specially formulated for higher operating temperatures of air-cooled engines	100028		Case Pack Qty - 8
	<b>Motor Oil 4-Cycle</b>	2.5 Gallon (9.46 L) High quality SAE 30W detergent oil. Specially formulated for higher operating temperatures of air-cooled engines	100124		Case Pack Qty - 2
	<b>Motor Oil 4-Cycle</b>	5 Gallon (18.9 L) High quality SAE 30W detergent oil. Specially formulated for higher operating temperatures of air-cooled engines	100125		
	<b>Motor Oil 2-Cycle</b>	16 oz. Ashless oil formulation with fuel stabilizer. Leaves no residue, Prevents plug fouling, Prevents engine deposits	100036		Case Pack Qty - 12
	<b>100% Synthetic Oil SAE 5W-30</b>	32 oz. Recommended for use in all air-cooled small engines. Excellent performance in severe use conditions of heat and cold.	100074		Case Pack Qty - 12

Retail Parts  
& Accessories

Grease & Engine Oil






† All power levels are stated gross torque at 2600 rpm per SAE J1940.  
‡ All power levels are stated gross HP at 3600 rpm per SAE J1940.



# 11-3 ENGINE OILS & WATER HOSES



Retail Parts & Accessories  
Fluid & Oil Pumps

	<b>Motor Oil 2-Cycle</b>	3.2 oz. Ashless oil formulation with fuel stabilizer. Leaves no residue, Prevents plug fouling, Prevents engine deposits	100107	Case Pack Qty - 48
	<b>Low Temp Oil - SAE 5W-30</b>	No longer sold or available. 32 oz. Specially formulated & approved for winter use in all air-cooled 4 cycle engines	100030C	Case Pack Qty - 12
	<b>Motor Oil 2-Cycle</b>	3.2 oz. Ashless oil formulation with fuel stabilizer. Leaves no residue, Prevents plug fouling, Prevents engine deposits	100107	Case Pack Qty - 48
	<b>Bar &amp; Chain Oil</b>	1 Quart (.94 L) Premium product designed for all types of chain saw mechanical parts, automated oiler systems, and sprockets	100122	Case Pack Qty - 6
	<b>Bar &amp; Chain Oil</b>	1 Gallon (3.78 L) Premium product designed for all types of chain saw mechanical parts, automated oiler systems, and sprockets	100123	Case Pack Qty - 6

**25FT, 50FT, 75FT, 100FT**

## Briggs & Stratton® Hoses

Briggs & Stratton Premium Rubber Water Hoses are heavy-duty, resist kinking, stay flexible in EXTREME cold and can be used with hot water! Ideal for use with pressure washers.

### Hose Features

1. Withstands hot water up to 200°F, ideal for all climates
2. Nickel plated, crush-proof couplings - resists wear and corrosion
3. Durable 100T rubber, cover is eight-sided to resist kinking and aid in coiling
4. Industrial-style reinforcing for high burst strength
5. Limited Lifetime Warranties

### Turnkey Program

1. 4 sizes to fit all needs, large lots, etc.
2. Competitive pricing- Volume and seasonal buying
3. Promotional point-of-sale display



**Engineered for Commercial, Residential and Recreational Use**

**Ordering Info:**  
Email: [IHPOrders@parker.com](mailto:IHPOrders@parker.com)  
Phone: 440 833-2120

Stock Number	Description
8 BS 25	5/8"x 25'
8 BS 50	5/8"x 50'
8 BS 75	5/8"x 75'
8 BS 100	5/8"x 100'



† All power levels are stated gross torque at 2600 rpm per SAE J1940.  
‡ All power levels are stated gross HP at 3600 rpm per SAE J1940.

## 675 SERIES™ 126M02-1015-F1

### FEATURES

**Crankshaft:** 3-5/32" CS, Tapped 3/8-24,  
2 WK & Keyway, 7/8" Dia.

**Warranty:** Consumer Use: 2 year limited\*  
Commercial Use: 90 day limited\*

- Lo-Tone™ muffler provides a quieter and better sounding engine
- Maintenance-free Magnetron® electronic ignition for quick, dependable starts
- Float feed carburetor delivers consistent one pull start
- Large rewind starter reduces pulling effort for easy starting



**SNAPPER**  
and others

## 675 SERIES™ 126M02-1625-F1/1031-F1

### FEATURES

**Crankshaft: Model 126M02-1625-F1**  
3-5/32" CS, Tapped 3/8-24,  
2 WK & Keyway, 25mm Dia.

**Model 126M02-1031-F1**  
3-5/32" CS, Tapped 7/16-20,  
Keyway, 25mm Dia.

**Warranty:** Consumer Use: 2 year limited\*  
Commercial Use: 90 day limited\*

- ReadyStart® system makes starting easier, no prime, no choke
- Lo-Tone™ muffler provides a quieter and better sounding engine
- Large rewind starter reduces pulling effort for easy starting



**TORO**  
**SNAPPER**  
and others

NO PRIME. NO CHOKE.  
**READY  
START**

## 850 PROFESSIONAL SERIES™ 121Q02-2025-F1

### FEATURES

**Crankshaft:** 3-5/32" CS, Tapped 3/8-24,  
2 WK & Keyway, 25mm Dia.

**Warranty:** Consumer Use: 2 year limited\*  
Commercial Use: 1 year limited\*

- ReadyStart® system makes starting easier, no prime, no choke
- Dura-Bore™ cast iron cylinder sleeve for extended life
- Certified to CARB Tier III and meets EPA 2012 Phase 3 Standards
- Maintenance-free Magnetron® electronic ignition for quick, dependable starts



NO PRIME. NO CHOKE.  
**READY  
START**

† All power levels are stated gross torque at 2600 rpm per SAE J1940.  
‡ All power levels are stated gross HP at 3600 rpm per SAE J1940.

\*See BRIGGSandSTRATTON.com  
for warranty for details.

# 12-2 PROMO ENGINES

## 550 SERIES™ 083132-1035-F1

### FEATURES

**Crankshaft:** 2-27/64" CS, Tapped 5/16-24, Keyway, 3/4" Dia.

**Warranty:** Consumer Use: 2 year limited\*  
Commercial Use: 1 year limited\*

- Dura-Bore™ cast iron cylinder sleeve for extended life
- Float feed carburetor delivers consistent one pull start
- PTO Ball Bearing
- Maxi-Clean™ automotive-type pleated paper air filter provides superior protection for long engine life



## 900 SERIES™ 12S452-0049-F8

### FEATURES

**Crankshaft:** PTO: 6 to 1 Gear reduction  
CCW rotation,  
Gear shaft 3/4" Dia., Keyway

**Warranty:** Consumer Use: 2 year limited\*  
Commercial Use: 1 year limited\*

- Dura-Bore™ cast iron cylinder sleeve for extended life
- Maintenance-free Magnetron® electronic ignition for quick, dependable starts
- Overhead valve design (OHV) for cooler operation and longer valve life
- Float feed carburetor delivers consistent one pull start



## 950 SERIES™ 130G32-0022-F1

### FEATURES

**Crankshaft:** 2-27/64" CS, Tapped 5/16-24, Keyway, 3/4" Dia.

**Warranty:** Consumer Use: 2 year limited\*  
Commercial Use: 1 year limited\*

- Dura-Bore™ cast iron cylinder sleeve for extended life
- Maintenance-free Magnetron® electronic ignition for quick, dependable starts
- Overhead valve design (OHV) for cooler operation and longer valve life
- Float feed carburetor delivers consistent one pull start
- PTO-DUAL Ball Bearing
- Dual-Clean™ air cleaner pleated paper filter with a foam pre-cleaner ensures maximum protection for extended engine life



\*See BRIGGSandSTRATTON.com for warranty for details.

† All power levels are stated gross torque at 2600 rpm per SAE J1940.  
‡ All power levels are stated gross HP at 3600 rpm per SAE J1940.

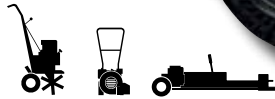
## VANGUARD™ 6.5 GROSS HP† 13L332-0036-F8

### FEATURES

**Crankshaft:** 2-27/64" CS, Tapped 5/16-24, Keyway, 3/4" Dia.

**Warranty:** Consumer Use: 3 year limited\*  
Commercial Use: 3 year limited\*

- TransportGuard® eliminates oil dilution
- Dura-Bore™ cast iron cylinder sleeve for extended life
- PTO and Mag Ball Bearing
- Overhead valve design (OHV) for cooler operation and longer valve life
- Dual-Clean™ air cleaner pleated paper filter with a foam pre-cleaner ensures maximum protection for extended engine life
- Equipped with Run Sense low oil sensor



VANGUARD™

Engines

Promo

## VANGUARD™ 6.5 GROSS HP† 13L352-0049-F8

### FEATURES

**Crankshaft:** PTO: 6 to 1 Gear reduction  
CCW rotation,  
Gear shaft 3/4" Dia., Keyway

**Warranty:** Consumer Use: 3 year limited\*  
Commercial Use: 3 year limited\*

- TransportGuard® eliminates oil dilution
- Dura-Bore™ cast iron cylinder sleeve for extended life
- Maintenance-free Magnetron® electronic ignition for quick, dependable starts
- Overhead valve design (OHV) for cooler operation and longer valve life
- Dual-Clean™ air cleaner pleated paper filter with a foam pre-cleaner ensures maximum protection for extended engine life
- Equipped with Run Sense low oil sensor



VANGUARD™

## 1150 SERIES™ 15T212-0160-F8

### FEATURES

**Crankshaft:** 2-7/8" CS, Tapped 3/8-24,  
Keyway, 1" Dia.

**Warranty:** Consumer Use: 2 year limited\*  
Commercial Use: 90 day limited\*

- Kool Bore™ aluminum alloy bore for cooler operation
- Maintenance-free Magnetron® electronic ignition for quick, dependable starts
- Overhead valve design (OHV) for cooler operation and longer valve life
- Dual-Clean™ air cleaner pleated paper filter with a foam pre-cleaner ensures maximum protection for extended engine life



† All power levels are stated gross HP at 3600 rpm per SAE J1940.

\*See BRIGGSandSTRATTON.com for warranty for details.

# 12-4 PROMO ENGINES

## VANGUARD™ 10 GROSS HP† 19L232-0036-F1

### FEATURES

**Crankshaft:** 2-29/32" CS, Tapped 3/8-24, Keyway, 1" Dia.

**Warranty:** Consumer Use: 3 year limited\*  
Commercial Use: 3 year limited\*

- TransportGuard® eliminates oil dilution
- Dura-Bore™ cast iron cylinder sleeve for extended life
- PTO and Mag Ball Bearing
- Overhead valve design (OHV) for cooler operation and longer valve life
- Dual-Clean™ air cleaner pleated paper filter with a foam pre-cleaner ensures maximum protection for extended engine life
- Equipped with Run Sense low oil sensor



VANGUARD™

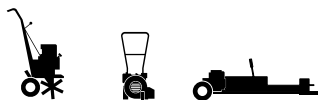
## 1450 SERIES™ 19N132-0051-F1

### FEATURES

**Crankshaft:** 2-21/32" CS, Tapped 3/8-24, Keyway, 3/4" Dia.

**Warranty:** Consumer Use: 2 year limited\*  
Commercial Use: 1 year limited\*

- PTO ball bearing
- Dura-Bore™ cast iron cylinder sleeve for extended life
- Overhead valve design (OHV) for cooler operation and longer valve life
- Maintenance-free Magnetron® electronic ignition for quick, dependable starts



## 1450 SERIES™ 19N132-0035-F1/0055-F1

### FEATURES

**Crankshaft:** **Model 19N132-0035-F1**  
2-29/32" CS, Tapped 3/8-24, Keyway, 1" Dia.

**Model 19N132-0055-F1**  
3-21/32" CS, Tapped 7/16-20, Keyway, 1" Dia.

**Warranty:** Consumer Use: 2 year limited\*  
Commercial Use: 1 year limited\*

- PTO ball bearing
- Dura-Bore™ cast iron cylinder sleeve for extended life
- Overhead valve design (OHV) for cooler operation and longer valve life
- Equipped with Run Sense (oil sensor)



\*See BRIGGSandSTRATTON.com for warranty for details.

† All power levels are stated gross HP at 3600 rpm per SAE J1940.

## 2100 SERIES™ 25T237-0045-F1

**NEW!**

### FEATURES

**Crankshaft:** 3-21/32" CS, Tapped 7/16-20, Keyway, 1" Dia.

**Warranty:** Consumer Use: 2 year limited\*  
Commercial Use: 1 year limited\*

- Dual ball bearing
- Dura-Bore™ cast iron cylinder sleeve for extended life
- Overhead valve design (OHV) for cooler operation and longer valve life
- Electric start with back-up recoil
- 9 amp charging system



## INTEK™ 10.5 GROSS HP† 21R707-0011-G1

### FEATURES

**Crankshaft:** 3-5/32" length, Tapped 7/16"-20, Keyway, 1" Dia.

**Warranty:** Consumer Use: 2 year limited\*  
Commercial Use: 1 year limited\*

- Dura-Bore™ cast iron cylinder sleeve for extended life
- Dual circuit charging system
- **Exhaust included**
- Dual-Clean™ air cleaner pleated paper filter with a foam pre-cleaner ensures maximum protection for extended engine life
- Overhead valve design (OHV) for cooler operation and longer valve life
- Electric start with back-up recoil



## POWERBUILT™ 17.5 GROSS HP‡ 31R907-0006-G1/0007-G1

### FEATURES

**Crankshaft:** 3-5/32" CS, Tapped 7/16-20, Keyway, 1" Dia.

**Warranty:** Consumer Use: 2 year limited\*  
Commercial Use: 1 year limited\*

- Dura-Bore™ cast iron cylinder sleeve for extended life
- **Exhaust included**
- Overhead valve design (OHV) for cooler operation and longer valve life
- 9 amp charging system



† All power levels are stated gross torque at 2600 rpm per SAE J1940.  
‡ All power levels are stated gross HP at 3600 rpm per SAE J1940.

\*See BRIGGSandSTRATTON.com for warranty for details.



# 12-6 PROMO ENGINES

## POWERBUILT™ 17.5 GROSS HP† 31R976-0016-G1

# NEW!

### FEATURES

**Crankshaft:** 3-5/32" CS, Tapped 7/16-20, Keyway, 1" Dia.

**Warranty:** Consumer Use: 2 year limited\*  
Commercial Use: 1 year limited\*

- Dura-Bore™ cast iron cylinder sleeve for extended life
- **Exhaust included**
- Overhead valve design (OHV) for cooler operation and longer valve life
- Full pressure lubrication with oil filter
- 9 amp charging system



## INTEK™ 19 GROSS HP† 33R877-0003-G1

### FEATURES

**Crankshaft:** 3-5/32" CS, Tapped 7/16-20, Keyway, 1" Dia.

**Warranty:** Consumer Use: 2 year limited\*  
Commercial Use: 1 year limited\*

- Dura-Bore™ cast iron cylinder sleeve for extended life
- **Exhaust included**
- Pulse type fuel pump included
- Maintenance-free Magnetron® electronic ignition for quick, dependable starts
- Dual-Clean™ air cleaner pleated paper filter with a foam pre-cleaner ensures maximum protection for extended engine life
- 9 amp charging system



**Large Capacity Air Filtration Design!**



## INTEK™ 24 GROSS HP† 44S877-0001-G1/0002-G1

### FEATURES

**Crankshaft:** **Model 44S877-0001-G1**

4-5/16" CS, Tapped 7/16-20, Keyway, 1-1/8" Dia.

**Model 44S877-0002-G1**

3-5/32" CS, Tapped 7/16-20, Keyway, 1" Dia.

**Warranty:** Consumer Use: 2 year limited\*  
Commercial Use: 1 year limited\*

- Dura-Bore™ cast iron cylinder sleeves for extended life
- Dependable float feed type carburetor with integral fuel pump for remote mount fuel tank
- DU PTO bearing for greater side loads
- 16 amp DC alternator
- Exhaust omitted



**Large Capacity Air Filtration Design!**



\*See BRIGGSandSTRATTON.com for warranty for details.

† All power levels are stated gross HP at 3600 rpm per SAE J1940.

## COMMERCIAL TURF SERIES™ 24 GROSS HP‡ 44T877-0001-G1

### FEATURES

**Crankshaft:** 3-5/32" CS, Tapped 7/16-20, Keyway, 1" Dia.

**Warranty:** Consumer Use: 2 year limited\*  
Commercial Use: 2 year limited\*

- Dura-Bore™ cast iron cylinder sleeves for extended life
- Dependable float feed type carburetor with integral fuel pump for remote mount fuel tank
- Full pressure lubrication with spin-on oil filter assures controlled lubrication for extended component life
- Cyclonic air filter provides ultimate debris protection and lasts 2X longer than panel-style air cleaner systems
- DU PTO bearing for greater side loads
- 16 amp DC alternator
- Oil cooler for additional engine life
- Exhaust omitted



## COMMERCIAL TURF SERIES™ 27 GROSS HP‡ 49T877-0004-G1

### FEATURES

**Crankshaft:** 4-5/16" CS, Tapped 7/16-20, Keyway, 1-1/8" Dia.

**Warranty:** Consumer Use: 2 year limited\*  
Commercial Use: 2 year limited\*

- Dura-Bore™ cast iron cylinder sleeve for extended life
- Dependable float feed type carburetor with integral fuel pump for remote mount fuel tank
- Full pressure lubrication with spin-on oil filter assures controlled lubrication for extended component life
- Cyclonic air filter provides ultimate debris protection and lasts 2X longer than panel-style air cleaner systems
- DU PTO bearing for greater side loads
- 16 amp DC alternator
- Oil cooler for additional engine life
- Exhaust omitted



## VANGUARD™ 18 GROSS HP‡ 356776-0006-G1

### FEATURES

**Crankshaft:** 3-5/32" CS, Tapped 7/16-20, Keyway, 1" Dia.

**Warranty:** Consumer Use: 3 year limited\*  
Commercial Use: 3 year limited\*

- Overhead valve design (OHV) for cooler operation and longer valve life
- Full lubrication with spin-on oil filter
- Commercial quality components
- Premium sintered iron cylinder sleeves
- Recoil only
- Dual-Clean™ air cleaner
- Engine equipped with 9 amp battery less DC regulator
- **Exhaust omitted, must order muffler kit part number 807969**



**VANGUARD™**

‡ All power levels are stated gross HP at 3600 rpm per SAE J1940.

\*See BRIGGSandSTRATTON.com for warranty for details.

# 12-8 PROMO ENGINES

## VANGUARD™ 23 GROSS HP‡ 386447-3079-G1

### FEATURES

**Crankshaft:** 3" CS, Tapped 3/8-24,  
Keyway, 1" Dia.

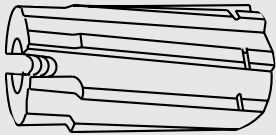

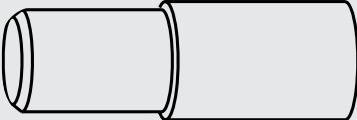
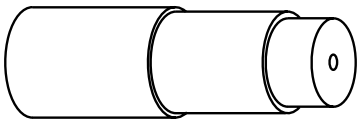
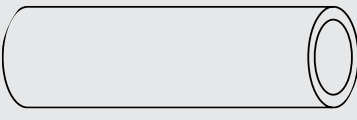


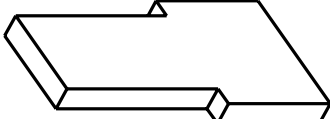
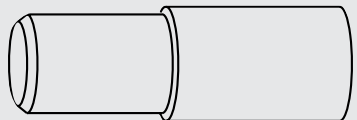
**Warranty:** Consumer Use: 3 year limited\*  
Commercial Use: 3 year limited\*

- Overhead valve design (OHV) for cooler operation and longer valve life
- Full lubrication with spin-on oil filter
- Commercial quality components
- Premium sintered iron cylinder sleeves
- Dual-Clean™ air cleaner
- Engine equipped with 16 amp DC regulator
- Exhaust omitted



**VANGUARD™**

# BEARING (MAIN) SERVICING 13-1

	<b>Reamer - Counterbore</b>	For installing DU bearing in PTO bearing: Horizontal Crankshaft Models 140000, 170000, 190000. For installing DU bearing in MAG. bearing: Vertical Crankshaft Engine Models 171000, 191000.	19281*
	<b>Reamer Guide Bushing "MAGNETO"</b>	Use with 19096 pilot, 19179 bushing driver and 19227 cylinder support.	19282*
	<b>Bearing Driver</b>	For replacing magneto side main bearing on V-Twin Vanguard™ engines built before 97050100. Use with 19227 Cylinder Support Tool.	19349
	<b>Bearing Driver</b>	For replacing magneto side main bearing on Vanguard™ engine Model 161400, 330000 V/Shaft. Use with 19351 Cylinder Support Tool.	19350
	<b>Cylinder Support</b>	For replacing magneto side main bearing on Vanguard™ engine Model 161400, 330000 V/Shaft.	19351
	<b>Main Bearing Plug Gauge</b>	Checking magneto bearing for wear - Vanguard™ engine Model 161400.	19377*
	<b>Main Bearing Plug Gauge</b>	Checking magneto and PTO bearing for wear - Vanguard™ engine Models 260700, 261700.	19378*
	<b>Main Bearing Plug Gauge</b>	Checking magneto and PTO bearing for wear - V-Twin Vanguard™ engines.	19380
	<b>Bearing Driver</b>	For replacing magneto side main bearing on V-Twin Vanguard™ engines built after 97043000. Use with 19227 Cylinder Support Tool.	19450





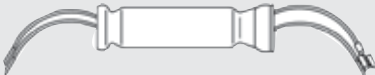
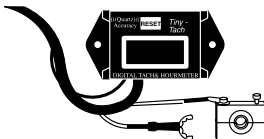




† All power levels are stated gross torque at 2600 rpm per SAE J1940.  
‡ All power levels are stated gross HP at 3600 rpm per SAE J1940.

\* Subject to remaining factory inventory

# 13-2 CAM GEAR BEARING SERVICING

	<p><b>Main Bearing Tool Kit</b></p>	<p>For Servicing Engine Models 85400, 115400, 185400, 245400. Kit Includes:</p> <table border="0"> <tr> <td>19139 Puller Nut</td> <td>19398 Puller Stud</td> </tr> <tr> <td>19318 Puller Screw</td> <td>19401 Driver</td> </tr> <tr> <td>19454 Support</td> <td>19406 Puller Nut</td> </tr> <tr> <td>19320 Driver</td> <td>19408 Puller Stand Off</td> </tr> <tr> <td>19394 Support Driver</td> <td>19440 Support Driver</td> </tr> <tr> <td>19395 Pilot Nut</td> <td>94814 Nut</td> </tr> <tr> <td>19396 Pilot</td> <td>690582 Washer</td> </tr> <tr> <td>19397 Adapter/Driver</td> <td></td> </tr> </table> <p>Note: Each tool part number can also be ordered separately.</p>	19139 Puller Nut	19398 Puller Stud	19318 Puller Screw	19401 Driver	19454 Support	19406 Puller Nut	19320 Driver	19408 Puller Stand Off	19394 Support Driver	19440 Support Driver	19395 Pilot Nut	94814 Nut	19396 Pilot	690582 Washer	19397 Adapter/Driver		<p>19407</p>
19139 Puller Nut	19398 Puller Stud																		
19318 Puller Screw	19401 Driver																		
19454 Support	19406 Puller Nut																		
19320 Driver	19408 Puller Stand Off																		
19394 Support Driver	19440 Support Driver																		
19395 Pilot Nut	94814 Nut																		
19396 Pilot	690582 Washer																		
19397 Adapter/Driver																			
	<p><b>Cam Bearing Plug Gauges</b></p>	<p><b>19164</b> Checking cam gear bearings for wear - most engine models. <b>19383*</b> Checking cam gear bearings for wear - Vanguard™ engine Models 161400, 260700, 261700. <b>19384</b> Checking cam gear bearing for wear - Mag. side V-Twin Vanguard™ engines. <b>19386</b> Checking cam gear bearing for wear - PTO side V-Twin Vanguard™ engines. <b>19387*</b> Checking cam gear bearings for wear - Engine Models 97700, 99700.</p>	<p>19164</p>																
	<p><b>Puller, Camshaft Bearing</b></p>	<p>For removing camshaft bearing on Vanguard™ 3-cylinder liquid-cooled engines.</p>	<p>19421</p>																
	<p><b>Driver, Camshaft Bearing</b></p>	<p>For installing camshaft bearing on Vanguard™ 3-cylinder liquid-cooled engines.</p>	<p>19422</p>																
	<p><b>Magneto Bearing Puller/Installer</b></p>	<p>This tool is designed for Magneto main bearing removal and reinstallation of the 54 and 61 cubic inch Big Block™ engines. It is essentially a hand operated press. The bearing is pulled into the block as it is staked from the inside. Installation is the reverse, as an oil groove needs to be aligned from the inside. To use, a mandrel locks into the bearing. The bolt acts as a lead screw and pulls the mandrel and the bearing into a cup machined into a threaded fixture that straddles the bearing recess. For installation, another threaded fixture is substituted for the cup and the new bearing is pulled into position. Simply tighten all the way and the bearing will be brought to the proper recess by the design of the tool.</p>	<p>19592</p>																





# CARBURETOR SERVICING 13-3

	<b>Screwdriver - Carburetor Jet - small</b>	For removing most carburetor jets.	19061
	<b>Screwdriver - Carburetor Jet - large</b>	For removing most carburetor jets.	19062
	<b>Torx® E5 Socket</b>	For removing and installing carburetor mounting studs on engines equipped with Torx® drive intake manifolds such as the Intek™ V-Twin engines.	19455
	<b>Torx® Driver</b>	For installing tamper-proof screws in governor paddle for Vanguard™ 3-cylinder liquid-cooled gasoline engines.	19445
	<b>Tachometer Adaptor</b>	When attached to ignition module, permits use of Digital Tachometer, 19389 on Vanguard™ 3-cylinder liquid-cooled gasoline engines.	19456
	<b>Digital Tachometer &amp; Hourmeter</b>	For use with Vanguard™ 3-cylinder liquid-cooled diesel engines with 6mm diameter fuel lines. This also includes a permanent transducer (not pictured) to be attached to the 6mm fuel line.	795195
	<b>16mm Carburetor Socket</b>	Remove and install main jet housing on Intek™ V-Twin engines, Extended Life Series™ for Model 440000	19459
	<b>Primer Bulb Removal Tool</b>	For quick and easy removal of primer bulb and retainer on engines equipped with Pulsa-Prime carburetors	19461
	<b>Primer Bulb Installation Tool</b>	Easily installs new primer bulb and retainer on Pulsa-Prime carburetors.	19462
	<b>Fuel Line Removal Tool</b>	This tool is essentially a pry bar for removing fuel line from barbed fittings. The bar is carefully formed, machined, hardened and plated to ensure a long life. To use, remove fuel line clamps. Push fork at end of tool behind the end of the fuel line. Carefully leverage the tool against some existing engine component as a fulcrum and pry fuel line from fitting. Use caution to prevent damage to linkage or fuel system controls. Inspect all removed fuel lines for damage or hardening and replace as necessary.	19620






† All power levels are stated gross torque at 2600 rpm per SAE J1940.  
‡ All power levels are stated gross HP at 3600 rpm per SAE J1940.

\* Subject to remaining factory inventory

# 13-4 CARBURETOR SERVICING - ELECTRICAL TESTING

	<p><b>Screwdriver Set</b></p>	<p>The Briggs &amp; Stratton Power Products 7.0 kW Standby Generator comes from the factory with provisions to change the mixer jet to allow use with natural gas or liquid propane. All that is required to make the conversion is the provided jet and this 19570 screwdriver set. Not just any screwdriver will do. The blade must be thin to fit the jet slot - approximately .040" (1mm) - but wide enough to reach across the jet. At the same time it cannot be too wide or it will shave the peaks off the threads of the jet cavity. Also makes an excellent handle for 19442 star bits.</p>	<p>19570</p>
	<p><b>T40 Plus Torx® Bit</b></p>	<p>This Plus Torx® bit design is to be used for the Model 31 &amp; 33 rod bolts. If the technician tries using a standard T40 Torx bit on these rod bolts, they will have a real potential of stripping the head of the bolt.</p>	<p>19608</p>
	<p><b>Otoscope</b></p>	<p>The use of the otoscope offers the technician the ability to see into small passages and jetting of carburetors. The otoscope offers 2X minimum magnification and a push button switch to activate the bulb to ensure that the technician will not forget to turn off the light causing the battery to be drained.</p>	<p>19607</p>
	<p><b>Amp Fuses</b></p>	<p>19449 15 Amp Fuse 19571 11 Amp Fuse Recently, our Fluke® Digital Multimeter supplier substituted a Model 73 Series III for the Model 73 Series II meter we'd been buying for years. The meter specifications were the same so the change passed our quality audit with no problem. What came as a surprise a short time later is the Series III meter uses an 11 amp fuse instead of the 15 amp used by the Series II. It is never a good idea to replace a fuse with one that is incorrectly rated for the meter and damage may result. If you have a Fluke Series II Multimeter, you need a 15 amp fuse, part number 19449. If you have a Series III Multimeter, you need an 11 amp fuse, part number 19571.</p>	<p>19449 19571</p>

# FLYWHEEL HOLDER/PULLER 13-5

	<p><b>400 Amp AC/DC Clamp Style Digital Multi-Meter</b></p>	<p>This new Multi-Meter is feature packed and safer to use for amperage testing than standard probe style meters. It has the following capabilities for measuring:</p> <ul style="list-style-type: none"> <li>• AC/DC Volt - with a Cat III 600 Volt Safety Rating</li> <li>• AC/DC Current (Amp)</li> <li>• Resistance (Ohms <math>\Omega</math>)</li> <li>• Continuity &amp; Diode Testing - with audible signal</li> <li>• Capacitance &amp; Frequency (Hz) or % Duty Cycle</li> <li>• Temperature <math>^{\circ}\text{C}</math> or <math>^{\circ}\text{F}</math> (-22 to 572<math>^{\circ}\text{F}</math>/-30 to 300<math>^{\circ}\text{C}</math>),</li> </ul> <p>Additional features:</p> <ul style="list-style-type: none"> <li>• Auto Off</li> <li>• Auto/Manual Ranging</li> <li>• Data Hold</li> <li>• Backlight</li> <li>• Zero Button</li> <li>• Overload protection for all ranges</li> <li>• Over range and low battery indicators</li> </ul> <p>Comes complete with test leads, type K bead wire thermocouple probe, case, two AAA batteries and instruction booklet.</p>	<p>19602</p>
	<p><b>PowerLink<sup>®</sup> Test Box</b></p>	<p>Use with 19602, 19581, 19464 Digital Multimeters for testing AC output on the PowerLink<sup>®</sup> Stators</p>	<p>19528*</p>
	<p><b>Capacitance-Frequency Meter</b></p>	<p>Used for checking the frequency (Hz) on a running generator. Flip switch on meter to "FREQ", use plug-in, and plug into AC outlet on generator. Compatible with 50 or 60 Hz generators</p> <p>To test a capacitor, flip switch to "CAP" and touch probes to terminals on capacitor and the capacitance will be displayed. Capacitance range is 10 to 99 microfarads.</p>	<p>19602*</p>
	<p><b>DC AMP Shunt</b></p>	<p>An improved version of a valuable diagnostic tool. Color coded receptacles hold digital multimeter leads securely while testing. This tool works with any digital multimeter with a millivolt scale.</p>	<p>19468</p>
	<p><b>Flywheel Pullers</b></p>	<p><b>19069</b> - small, hole distance 1-5/8" or 1.630" (41.275 mm)  <b>19165</b> - medium, hole distance 2" or 2.010" (50.8 mm)  <b>19203</b> - large, hole distance 2-13/16" or 2.820" (71.4375 mm)</p>	

Service Tools  
Carburetor Servicing







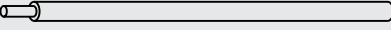


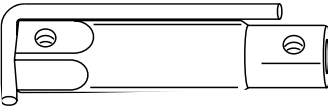
† All power levels are stated gross torque at 2600 rpm per SAE J1940.  
 ‡ All power levels are stated gross HP at 3600 rpm per SAE J1940.

\* Subject to remaining factory inventory





# 13-6 FLYWHEEL HOLDER/PULLER - IGNITION

	<b>Flywheel Holder</b>	For removing and installing flywheel on Vanguard™ 3-cylinder liquid-cooled engines.	19418
	<b>Flywheel Strap Wrench</b>	For holding flywheel while removing and torquing flywheel nut on all engine models. Note: Replacement strap is available separately. Order Part # 19448	19433
	<b>Flywheel Puller - Micro Engine</b>	For removing flywheels on Micro engine. Includes driver and an adapter for clutch drive engines	19538*
	<b>Flywheel Puller - Motor Sports</b>	This flywheel puller is designed to work specifically with Billet aluminum motor sports flywheels only	19584
	<b>Rotor Puller</b>	This tool is designed to remove the rotor from the engine crankshaft taper on the new 18/20kW Standby Generator System <ul style="list-style-type: none"> <li>• Use repair manual 277528GS for detailed instructions on how to safely remove the rotor with this pulley kit</li> </ul>	19590
	<b>Flywheel Puller - Powerlink®</b>	Required when removing and installing flywheel on engines equipped with the PowerLink® systems. Also works on most other flywheels	19534*
	<b>Plug Gauge</b>	Servicing breaker point plunger hole	19055
	<b>Bushing Driver</b>	Servicing breaker point plunger hole	19057
	<b>Ignition Tester</b>	Used to test all ignition coils except Vanguard™ 3 L/C gas engines. For the Vanguard™ 3 L/C gas engines, please see 19400 Spark Tester.	19368
	<b>Spark Tester</b>	Special Air Gap of .400" (10 mm) for use on Vanguard™ 3-cylinder liquid-cooled engines.	19400
	<b>Spark Plug Wrench</b>	For removing 13/16" and 3/4" hex head spark plugs. Wrench length 5-1/2" (14 cm).	89838S

Service Tools


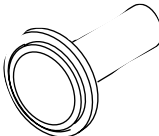
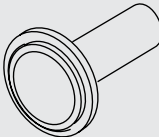


Cylinder Resizing



\* Subject to remaining factory inventory

† All power levels are stated gross torque at 2600 rpm per SAE J1940.  
‡ All power levels are stated gross HP at 3600 rpm per SAE J1940.

# OIL SEAL - OUTBOARD SERVICING 13-7

	<p><b>Spark Plug Wrench</b></p>	<p>The 19576S spark plug wrench has been modified to fit a wider variety of applications. The wrench, sized to fit 13/16" spark plugs on one side and 5/8" spark plugs on the other has been stretched from 5-1/2" to a full 8" (14 cm-20 cm). This change was driven by the longer reach needed to access spark plugs on many overhead valve engines. To gain better torque in removing the plug, the handle is longer as well. The blister pack part number is 5402.</p>	<p>19576S</p>
	<p><b>Driver, Oil Seal</b></p>	<p>For installing timing gear cover oil seal on Vanguard™ 3-cylinder liquid-cooled engines.</p>	<p>19423</p>
	<p><b>Driver, Oil Seal</b></p>	<p>For installing rear oil seal on Vanguard™ 3-cylinder liquid-cooled engines.</p>	<p>19424</p>
	<p><b>Prop Shaft Fixture</b></p>	<p>Holds propeller shaft securely for easy removal of sliding clutch roll pin. For replacement pins order 19558.</p>	<p>19555*</p>
	<p><b>Tapered Socket</b></p>	<p>1-1/4" tapered hex. For removing and installing carrier nut on outboard gear case. Holds securely without damaging nut.</p>	<p>19557*</p>

Service Tools  
Electrical Testing

† All power levels are stated gross torque at 2600 rpm per SAE J1940.  
‡ All power levels are stated gross HP at 3600 rpm per SAE J1940.

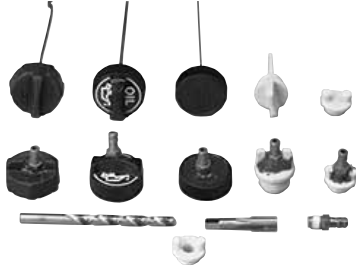




\* Subject to remaining factory inventory



# 13-8 PISTON & PISTON RINGS SERVICING

	<p><b>Piston Ring Compressor</b></p>	<p>For engines 5 HP† and below, such as Model 6, 8, 9, 10, 12, 13</p>	<p>19070</p>
	<p><b>Piston Ring Compressor</b></p>	<p>For engines above 5 HP†.</p> <p><b>Instructions for Operating Piston Ring Compressors</b></p> <p>After placing rings in grooves on piston, enclose piston and rings in compressor. Make certain rings are FULLY entered IN GROOVES. Tighten compressor by turning handle to right until rings are compressed sufficiently to enter cylinder. After tightening compressor the handle may be removed. The automatic friction brake holds the compressor at the desired tension. Friction brake may be adjusted by turning the screws on the side of the compressor. Turn right to increase. Turn left to reduce tension. In loosening compressor turn handle SLOWLY to left. If loosening too rapidly tension band may be damaged. Keep compressor clean. Dirt or grit between the tension band and compression band will damage the former.</p> <p>USE PLENTY OF OIL.</p> <p>NOTE: positioning the ring compressor on the cylinder with the 3 dimples</p>	<p>19230</p>
	<p><b>Ring Expander</b></p>	<p>For removing and installing piston rings. Minimized ring distortion and breakage. All engine models.</p>	<p>19340</p>
	<p><b>Piston Pin Fixture</b></p>	<p>For removing and installing piston pin on Vanguard™ 3-cylinder liquid-cooled gasoline engines.</p>	<p>19419</p>
	<p><b>Mity Vac Pressure/Vacuum Pump</b></p>	<p>Check carburetor inlet needles and seats for leakage. Check pressure switches. Check dash pot pull of on 3 L/C choke.</p>	<p>19493</p>
	<p><b>Digital Crankcase Vacuum Tester</b></p>	<p>Extremely accurate and simple tool for measuring crankcase vacuum, or natural gas and LP fuel pressure for home generators. Check crankcase vacuum with engine running at top no load speed.</p>	<p>19495</p>

# PRESSURE/VACUUM TESTING 13-9

 <p>Engine Test Fittings</p>	<p>What you need now is a quick and easy way to firmly attach these tools to an engines crankcase. All you need to do is gather an assortment of various engine fill caps and dipsticks and an equal number of 691764 barbed fuel fittings. Listed below is an assortment of dipstick and oil fill cap part numbers. First, if using a dipstick remove it from the cap. Determine the best location to drill a hole using a letter "Q" drill bit. Since you're working with plastic it may also be possible to use a 21/64" or 5/16" bit. Next, tap the hole with a 1/8" NPT tap, install the barb, epoxy in place and you're finished.</p> <p>Part Number</p> <ol style="list-style-type: none"> <li>1. - 499621 Dipstick</li> <li>2. - 807985 Dipstick</li> <li>3. - 495230 Dipstick</li> <li>4. - 715588 Dipstick</li> <li>5. - 281658 Fill Cap</li> <li>6. - 691764 Hose Connector</li> </ol>	<p>499621</p>
 <p>Hand-Held Tiny-Tach Diagnostic Tool</p>	<p>Part number 795163 is a pulse operated, hand-held tachometer designed more as a diagnostic tool than other Tiny-Tachs. This tach is set up as a wireless device but comes equipped with a plug in wired antenna for those occasions where a stable rpm reading is hard to get. It features an auto off feature to extend battery life. Accuracy is +/- 10 rpm and the display is updated every 1/2 second. Besides the standard rpm display, the tach can be programmed to display MAX rpm reached during each session. This is a nice, handheld wireless tachometer!</p>	<p>795163*</p>
 <p>Digital Tachometer &amp; Hourmeter</p>	<p>Meter displays rpm while engine is running. When engine is stopped, meter displays elapsed time. The maximum speed is 20,000 rpm and it updates 1-2 times per second.</p>	<p>19598</p>
 <p>Quick Clamp Transducer</p>	<p>Use with 19457 Digital Tachometer and Hourmeter. Quick clamp design with spring loaded post terminal for easy installation and removal.</p>	<p>19463*</p>
 <p>Adjustment Gauge</p>	<p>For adjusting secondary governor spring, V-Twin Vanguard™ engines. It is required for adjusting the governing on M29, M30, M35, M38 engines for generator applications, which can be challenging. On many of the applications the governor lever area is obscured by the exhaust system or that application, so trying to measure the distance between the governor arm and the control bracket without the gauge would be very difficult.</p>	<p>19385</p>

Service Tools  
Ignition & Related Parts Servicing

† All power levels are stated gross torque at 2600 rpm per SAE J1940.  
‡ All power levels are stated gross HP at 3600 rpm per SAE J1940.



\* Subject to remaining factory inventory



# 13-10 SPEED - SIZE - TORQUE - MEASURING

Service Tools

Piston & Piston Rings Servicing

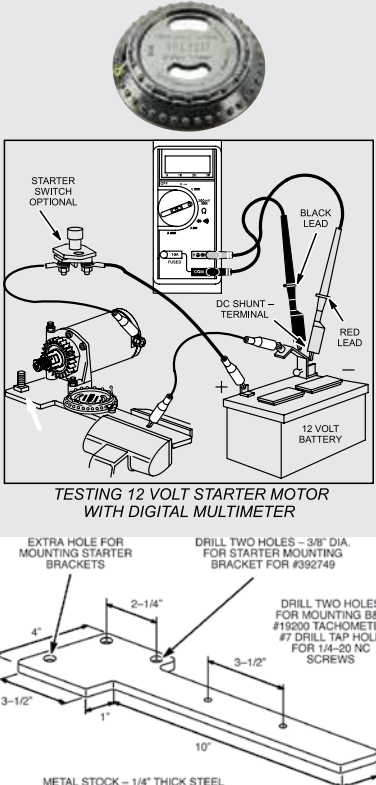




	<p><b>Diesel Tachometer</b></p>	<p>This tachometer uses the trigger module from the 3/LC gas engine as a sensor to monitor crankshaft motion. Most diesel engines sold since 2007 are equipped with this sensor. If not, it will have to be added. Order 825009 for the trigger module and 820013 for an attachment screw. The tachometer is powered by the pulses from the trigger module so it does not require an external battery. Besides a tachometer function, this unit also has 2 service countdown circuits, a max rpm circuit and a timer function that can be used to time specific jobs.</p>	<p>795195</p>
	<p><b>Commercial Tachometer</b></p>	<p>Part number 795163 is a new commercial Tiny-Tach that has the same 20k rpm limit and refresh rate as the improved version mentioned previously. According to Tiny-Tach, the ...” commercial Gas Model can be used as a complete Service Tracking device for any spark ignited engine. It is programmable for different firing orders as well as for tracking two different service intervals.” This is way more than a tachometer. Features include</p> <ul style="list-style-type: none"> <li>• Captures total time in hours and minutes up to 200 hours, and hours only thereafter</li> <li>• Displays any time the engine is running, up to 20,000 RPM</li> <li>• Displays maximum RPM recorded. Resettable.</li> <li>• Job length of time. A resettable timer displayed in hours and minutes up to 200 hours</li> <li>• Programmable “time till service” counter 0 to 50 hours</li> <li>• Programmable “time till service” counter 0 to 250 hours</li> </ul>	<p>795193</p>



\* Subject to remaining factory inventory

† All power levels are stated gross torque at 2600 rpm per SAE J1940.  
‡ All power levels are stated gross HP at 3600 rpm per SAE J1940.

# SPEED - SIZE - TORQUE - MEASURING 13-11

 <p>TESTING 12 VOLT STARTER MOTOR WITH DIGITAL MULTIMETER</p> <p>EXTRA HOLE FOR MOUNTING STARTER BRACKETS</p> <p>DRILL TWO HOLES - 3/8" DIA FOR STARTER MOUNTING BRACKET FOR #392749</p> <p>DRILL TWO HOLES FOR MOUNTING B&amp;S #19200 TACHOMETER #7 DRILL TAP HOLE FOR 1/4"-20 NC SCREWS</p> <p>METAL STOCK - 1/4" THICK STEEL</p>	<p><b>Tachometer (Treysit Sirometer)</b></p>	<p>This sirometer measures from 800 to 25,000 revolutions per minute (rpm). It can be used for measuring engine rpm and by making this bracket measuring starter motor rpm as stated in the repair manuals.</p>	<p>19200</p>
	<p><b>Tang Bender</b></p>	<p>For all engines. Used for setting top no load and governed idle speeds.</p>	<p>19480</p>
	<p><b>Dial Caliper</b></p>	<p>Range: 0" to 6" (0 to 152.4 mm) and reads to .011"</p>	<p>19609*</p>
	<p><b>Micrometer Set</b></p>	<p>1" to 3" micrometer set in blow-molded case.</p> <ul style="list-style-type: none"> <li>• Stainless steel thimble and barrel in brushed satin finish</li> <li>• Frame finished in industrial Hammertone paint</li> <li>• Ratchet stop to aid measurement consistency</li> <li>• 10 thousandths vernier scale</li> <li>• Lock lever to lock spindle in position</li> <li>• Carbide faced anvil and spindle</li> <li>• Standards included</li> </ul>	<p>19611</p>
	<p><b>Torque Wrench - 3/8" Drive</b></p>	<p>Range: 0 to 300 Inch Pound (0 to 346.8 Kgcm) (0 to 34.0 Nm)</p>	<p>19393</p>

Service Tools  
Pressure/Vacuum Testing

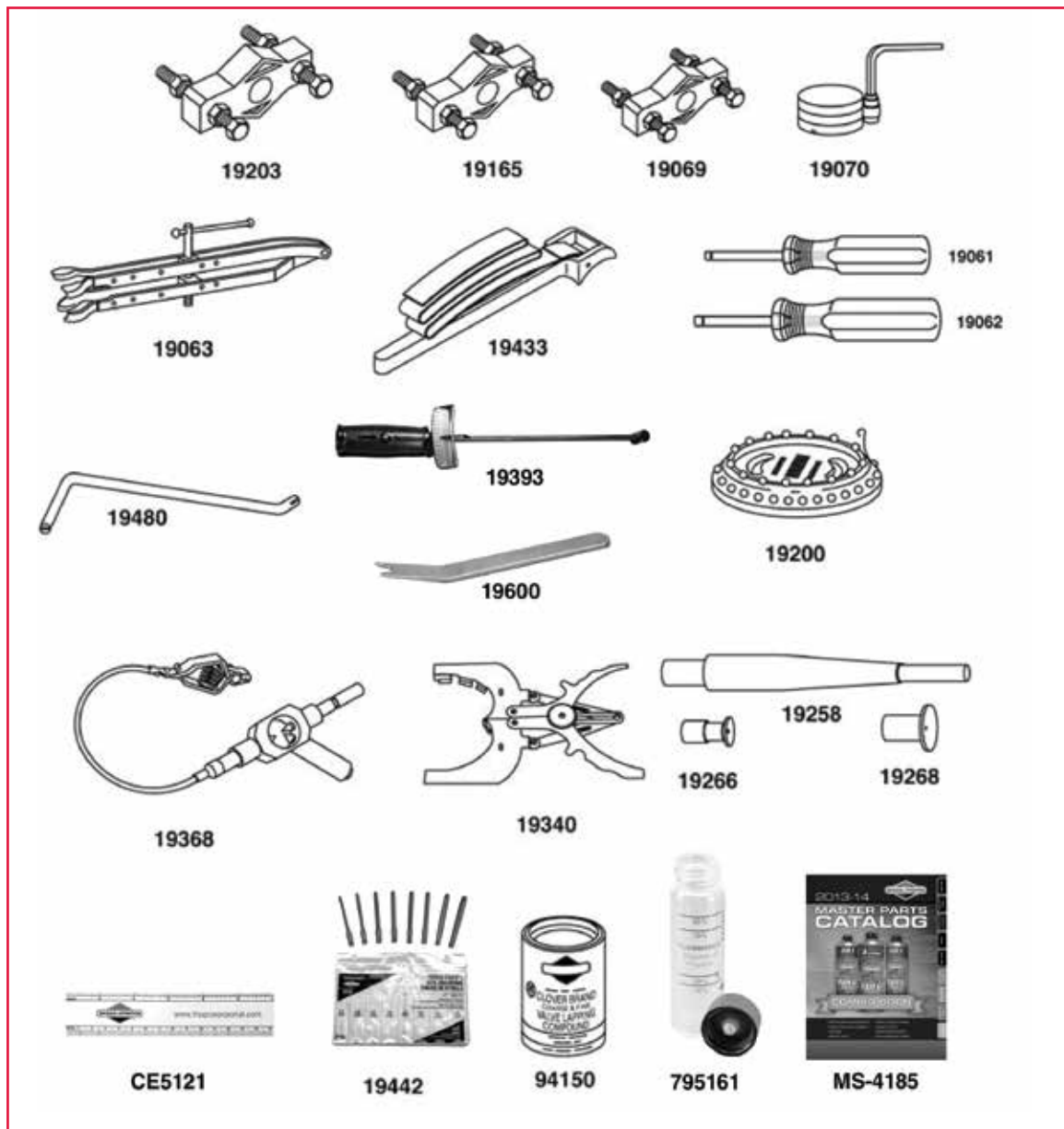
† All power levels are stated gross torque at 2600 rpm per SAE J1940.  
‡ All power levels are stated gross HP at 3600 rpm per SAE J1940.

\* Subject to remaining factory inventory



# 13-12 BASIC TOOL KIT

## 19300 Basic Tool Kit



### KIT INCLUDES:

19061	Carburetor Jet Screwdriver, Small Jets	19368	Tester - Ignition
19062	Carburetor Jet Screwdriver, Large Jets	19393	Torque Wrench
19063	Valve Spring Compressor	19433	Flywheel Holder <sup>1</sup>
19069	Flywheel Puller - small, hole distance 1-5/8"	19442	Torquex Start Bits <sup>3</sup> in handy pouch
19070	Piston Ring Compressor (5 HP <sup>†</sup> & below)	19480	Tang Bender
19165	Flywheel Puller - medium, hole distance 2"	19600	Fuel Line Removal Tool
19200	Tachometer (Treysit Sirometer)	795161	Alcohol Fuel Tester
19203	Flywheel Puller - large, hole distance 2.13/16	94150	Clover <sup>®</sup> Valve Lapping Compound
19258	Valve Lapper <sup>2</sup> (includes 19266 & 19268)	CE5121	Air Gap Gauge .010" (.254 mm)
19340	Piston Ring Expander	MS-4185	Master Parts Catalog

**Note:** Each tool part number can also be ordered separately.

<sup>1</sup>For replacement strap, order 19489

<sup>2</sup>To order replacement suction cups, specify: 19266 - 3/4" (19.1 mm) 19268 - 1-1/4" (31.8 mm)

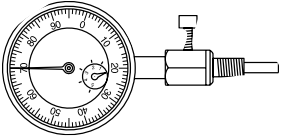


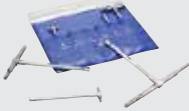





<sup>3</sup>To order replacement bits, specify: 19510 (T-10) - 19511 (T-15) - 19512 (T-20) - 19482 (T25) - 19513 (T-27) - 19514 (T-30) - 19515 (T-40) - 19516 (T-45)



\* Subject to remaining factory inventory

<sup>†</sup> All power levels are stated gross torque at 2600 rpm per SAE J1940.  
<sup>‡</sup> All power levels are stated gross HP at 3600 rpm per SAE J1940.

# STARTERS - ELECTRIC/MANUAL REWIND 13-13

	<b>Dial Indicator</b>	For timing injector on Vanguard™ 3-cylinder liquid-cooled diesel engines.	19441
	<b>Telescoping Gauge</b>	Twelve inch (304 mm) length handle will reach the bottom of any cylinder bore. Range: 1.960" - 6.185"	19485*
	<b>Dial Bore Gauge</b>	Fast, accurate method of checking cylinder bore size, taper and out of round. Range: 1.960" - 6.185".	19487*
	<b>Telescoping Gauge Set</b>	6 gauges. Range from 5/16" to 6.0"	19610
	<b>6" Digital Caliper</b>	<ul style="list-style-type: none"> <li>• Measures steps, internal, external and depth measurements</li> <li>• Large, easy to see numerals</li> <li>• Reads in inches or millimeters</li> <li>• Packaged in hard case with extra battery</li> </ul>	19609
	<b>Six-Inch Stainless Steel Scale</b>	This tool is almost a requirement for the shirt pocket of any technician. Made of flexible stainless steel, this 6-inch scale is equipped with a T-square. Pocket clip that functions as a depth gauge. One side of the scale is metric and displays millimeters. The other side is graduated in inches and displays 64ths. The reverse side features a handy decimal equivalent chart.	CE5005
	<b>Air Gap Gauge</b>	Disguised as a flexible 6-inch polymer ruler, this tool's hidden purpose is a reusable, armature air gap gauge. To use, back the armature out of it's widest clearance and snug it down. Line the flywheel magnet up with the armature, insert the gauge between the two and loosen the armature screws. The magnet will pull the armature down to the gauge. Tighten and torque the screws and remove the gauge. Sized at .010 to .012 inch, this setting can be used for all Briggs & Stratton engines.	CE5121
	<b>Tachometer Adaptor</b>	When attached to ignition module, permits use of Digital Tachometer, 19389 on Vanguard™ 3-cylinder liquid-cooled gasoline engines.	19456*
	<b>Starter Repair Kit</b>	For replacing rewind spring and starter ropes. For use on engines equipped with ratchet style starter clutches.	5054

Service Tools

Speed - Size - Torque - Measuring

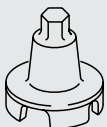
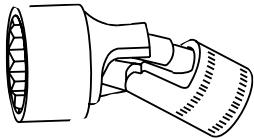

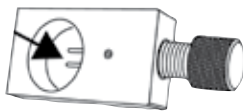




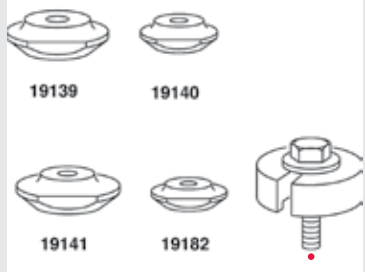
† All power levels are stated gross torque at 2600 rpm per SAE J1940.  
‡ All power levels are stated gross HP at 3600 rpm per SAE J1940.

\* Subject to remaining factory inventory





# 13-14 VALVE COMPRESSION SERVICING

	<b>Starter Clutch Wrench</b>		19244
	<b>Universal Socket</b>	13 mm, 12 point, 1/4" Drive. For removing electric starter mounting screws. All V-Twin Vanguard™ engines.	19353
	<b>C-Ring Installation Tool</b>	Installing new C-ring on starter motor when replacing starter motor drive.	19435
	<b>Replacement Drive Pins</b>	Replacement drive pins for the C-ring removal tool	19447
	<b>Universal Socket</b>	12 mm 6 point, 1/4" drive socket for removing and installing starter motors on current Vanguard™ V-Twin engines, and 3/LC diesel injection pumps.	19497
	<b>C-Ring Removal Tool</b>	For removing C-ring on starter motor when replacing starter motor drive. All Models. Replaces 19436.	19522
	<b>Torx® Driver</b>	Designed to help remove the tamper-proof fasteners of the Touch-N-Mow starter system.	19524
	<b>Valve Spring Compressor</b>		19063
	<b>Valve Seat Puller Kit</b>	Kit includes: 19139* Puller Nut 19140* Puller Nut 19141* Puller Nut 19182* Puller Nut • Note: Not available separately	19138

Service Tools

Speed - Size - Torque - Measuring



\* Subject to remaining factory inventory

† All power levels are stated gross torque at 2600 rpm per SAE J1940.  
 ‡ All power levels are stated gross HP at 3600 rpm per SAE J1940.





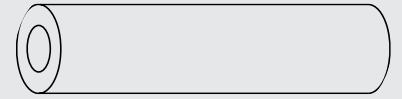
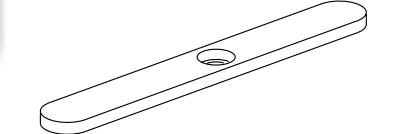
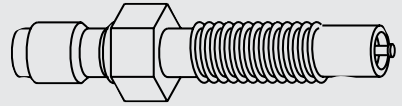
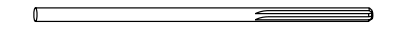



# VALVE COMPRESSION SERVICING 13-15

<p>19151 19233 19204 19231</p> <p>19234</p> <p>19239 NUT</p> <p>19240 19238 19264</p>	<p><b>Valve Guide Repair Kit</b></p>	<p>For servicing 5/16" valve guides.</p> <p>Kit Includes:</p> <p>19151 Plug Gauge            19204 Bushing Driver            19231 Reamer - Counterbore            19233 Reamer - Finish            19234 Reamer Guide            19238 Puller Bolt            19239 Nut            19240 Washer            19264 9 mm Tap</p> <p>Note: Each tool part number can also be ordered separately.</p>	<p>19232</p>
	<p><b>Valve Lapper</b></p>	<p>(includes 19266 and 19268) To order replacement suction cups, specify: 19622 - 3/4" (19.1 mm) 119268 - 1-1/4" (31.8 mm).</p>	<p>19258</p>
<p>19064 19066 19122 19191</p> <p>19270</p> <p>19271</p> <p>19272 19273 19367</p>	<p><b>Valve Guide Repair Kit</b></p>	<p>For servicing 1/4" valve guides.</p> <p>Kit Includes:</p> <p>19064 Reamer - Counterbore            19066 Reamer - Finish            19122 Plug Gauge            19191 Reamer Guide            19270 Washer            19271 Puller Bolt            19272 Nut            19273 7 mm Tap            19367 Bushing Driver</p> <p>Note: Each tool part number can also be ordered separately.</p>	<p>19269</p>
	<p><b>Valve Seat Cutter Repair Kit</b></p>	<p>3 blades - use on either side of cutter head.            3 set screws and 3 wedges</p>	<p>19302</p>
	<p><b>Reamer Guide</b></p>	<p>For guiding the 19346 reamer while finish reaming valve guide bushing in Vanguard™ engines.</p>	<p>19345</p>

† All power levels are stated gross torque at 2600 rpm per SAE J1940.  
 ‡ All power levels are stated gross HP at 3600 rpm per SAE J1940.







\* Subject to remaining factory inventory

# 13-16 VALVE COMPRESSION SERVICING

	<b>Valve Guide Reamer</b>	For finish reaming single cylinder Vanguard™ engine models 104700, 161400, 260700, 261700 valve guide bushing after installation.	19346
	<b>Valve Spring Compressor</b>	For compressing valve springs, most Vanguard™ engine models.	19347
	<b>Valve Guide Plug Gauge</b>	Checking valve guides for wear - Models 20, 21, 31, 33 Vanguard™, engine models 104700, 161400, 260700, 261700, and single cylinder OHV model 280000.	19381
	<b>Valve Guide Plug Gauge</b>	Checking valve guides for wear - Vanguard™ V-Twin engines. Also single cylinder Vanguard™ engine models 85400, 115400, 185400, 235400 and 245400	19382
	<b>Valve Guide Driver</b>	For installing guide bushings on Vanguard™ 3-cylinder liquid-cooled engines.	19416
	<b>Valve Spring Compressor</b>	For removing and installing valves on Vanguard™ 3-cylinder liquid-cooled engines.	19417
	<b>Compression Test Adaptor</b>	For testing compression on Vanguard™ 3-cylinder liquid-cooled diesel engines.	19443
	<b>Valve Guide Reamer</b>	For finish reaming Vanguard™ V-Twin valve guides after installation. Also used for cleaning valve guides on Vanguard™ 3-cylinder liquid-cooled engines. Use with 19345 Reamer Guide.	19444
	<b>Neway Valve Seat Cutter Kit</b>	For reconditioning 30° and 45° angle valve seats on Vanguard™ 3-cylinder liquid-cooled engines. Includes 15° cutter for top cutting 30° angle seats. Includes 6.0 and 6.02 mm pilots.	19547*
	<b>Valve Adjustment Set</b>	For adjusting valves on Vanguard™ and Intek™ V-Twin engines. Offset 13 mm wrench with 5 mm hex and T-40 Torx® drivers.	19465
	<b>Orifice</b>	Calibrated specifically for use with the older 19475 Leakdown Tester on 3/LC engines.	19478*

Service Tools  
Valve Compression Servicing

# VALVE COMPRESSION SERVICING 13-17

	<b>Leakdown Tester</b>	Used to test the sealing capabilities of the compression components of all engines. Comes with crankshaft clamp and case .	19545
	<b>Easy Turn Wrench</b>	Spring loaded body maintains an even pressure when cutting valve seats. Rotating handle allows continuous turning for faster seat cutting and minimizing chatter.	19549
	<b>Seat Cutter Upgrade Kit</b>	This kit will upgrade the basic 19237 seat cutter kit to the level of 19547 master seat cutter kit.	19547*
	<b>Master Seat Cutter Kit</b>	This kit will service all older and existing Briggs & Stratton® engines.	19547
	<b>Clover® Valve Lapping Compound</b>	4 oz. (113 g) duplex can contains coarse (120 grit) and fine (280 grit) compound.	94150
	<b>Diesel Compression Tester</b>	The 19566 3/LC Diesel Compression tester includes: <ol style="list-style-type: none"> <li>1. High pressure hose</li> <li>2. Parker – “ST series 1” mini quick disconnect fitting</li> <li>3. 19443 glow plug adapter</li> <li>4. Pneumatic gauge protector</li> <li>5. Injection molded storage case</li> </ol> NOTE: Do not try to use an automotive type gasoline engine compression gauge on a diesel engine. They don’t normally have the range necessary for diesel engines and there may be an issue with the hose bursting. Normal compression for the Briggs & Stratton 3/LC diesel engine is as high as 500 psi (35 bar). The 19566 3/LC Diesel Compression Tester is capable of reading 1000 psi (70 bar).	19566


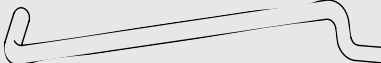
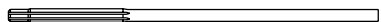



Service Tools  
Valve Compression Servicing






† All power levels are stated gross torque at 2600 rpm per SAE J1940.  
‡ All power levels are stated gross HP at 3600 rpm per SAE J1940.

\* Subject to remaining factory inventory



# 13-18 VALVE COMPRESSION SERVICING

	<p><b>3/LC Diesel Leakdown Adapter</b></p>	<p>This adapter kit allows the 19545 Leakdown Tester to be used to diagnose compression problems with the 3/LC diesel engine line. This kit includes the following:</p> <ul style="list-style-type: none"> <li>• A quick disconnect fitting that attaches to the high pressure supply side of the leakdown tester</li> <li>• A hose quipped with a mini quick disconnect fitting that attaches to the low pressure side</li> <li>• A 19443 diesel compression tester adapter that screws into the glow plug hole.</li> </ul> <p><b>NOTE:</b> Remove the Shrader Valve from the 19443 adapter when performing leakdown testing. Once the adapter parts are installing, the tester is used in the normally fashion.</p> <ol style="list-style-type: none"> <li>1. Standard "M" style fitting with orifice drilled in the end of fitting</li> <li>2. Standard "M" style quick release fitting</li> <li>3. Adapter properly attached to the leakdown tester</li> <li>4. Parker – "ST Series I" mini quick disconnect</li> </ol>	<p>19559</p>
	<p><b>Brake Adjustment Gauge</b></p>	<p>For adjusting band brakes</p>	<p>19256</p>
	<p><b>Governor Bushing Reamer</b></p>	<p>For finish reaming 1/4" (6.35 mm) governor shaft bushing, after installation. 3 HP† to 16 HP‡ single cylinder mechanical governor engines.</p>	<p>19333</p>
	<p><b>Puller, Crankshaft Pulley</b></p>	<p>For removing crankshaft pulley on Vanguard™ 3-cylinder liquid-cooled engines.</p>	<p>19420</p>
	<p><b>Alternator Wrench</b></p>	<p>For use on 3/LC engines. Holds alternator pulley nut when removing and installing alternator pulley. Also handy when rotating crankshaft when adjusting valve clearance.</p>	<p>19491</p>
	<p><b>Torquex Star Bits</b></p>	<p>To remove and install Torx® screws. In handy pouch. T-10, T-15, T-20, T-25, T-27, T-30, T-40, T-45 bit length 3.75 inches. These Torquex star bits are not to be used with pneumatic hand tools. Replacement bits: 19510 (T10), 19511 (T15), 19512 (T20), 19513 (T27), 19482 (T25), 19514 (T30), 19515 (T40), 19516 (T45)</p>	<p>19442</p>

	<p><b>Injector Tester</b></p>	<p>If you service and repair diesel engines on a regular basis, a diesel injector tester is a must have tool. This test from US Diesel in Fort Worth, Texas is what we use so we know it's tough enough for everyday use. This tool is part number U470/600B and is supplied with a 12 mm and 14 mm injector line. We've tried 4 or 5 different testers. The US Diesel tester is by far the best value and is better than some that cost twice as much. When you talk to Mark, tell him we sent you! <a href="http://www.usdiesel.com">www.usdiesel.com</a> Mark Hagood 1-817-485-6422</p>	
	<p><b>Pressure Washer Tester Gauge</b></p>	<p>This pressure gauge is installed between the pump head and high pressure hose to check pump output pressure. It has a M22 X M22 connection that will allow quick installation on hoses with those fittings. With the gauge installed in this position, gauge readings will be approximately 200 psi (13-14 bar) lower than the rated pump pressure due to pressure loss across the unloader</p>	<p>196682GS</p>
	<p><b>Alcohol Fuel Tester</b></p>	<p>Briggs &amp; Stratton introduced a tester to determine the alcohol content in gasoline almost three decades ago. At that point we were concerned about the damage fuel containing more than 10% alcohol could do to fuel systems. Fuel in some parts of the world is being marketed with 75 to 85% alcohol. Because this fuel is not suitable for use in our engines, you may need to have a method to determine what the actual content is. This tester is marked with a calibration line at 10%, 20% 70% and another at 85%. This provides the technician with visual cues as to the alcohol content.</p> <p>Fill tester with water to the fill line first. Then add gasoline needed to be tested all the way to the top. Read the side of the tester where it shows the gasoline and water separation point.</p>	<p>795161</p>
	<p><b>Heavy Duty Shop Towels</b></p>	<p>These all-purpose wipers are great for keeping the work bench and shop clean.</p>	<p>100054</p>
	<p><b>Aerosol Spray Paint for Engines</b></p>	<p>Fast drying, lacquer base, gasoline and heat resistant, 13 ounce (369g) spray can. Available colors, order separately: 271400 (gloss black), 271405* (ice white), 271403 (satin black), 271675 (American red)</p>	<p>271400</p>



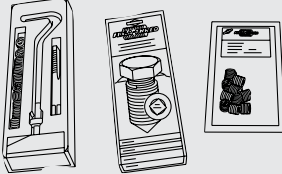





Service Tools  
Valve Compression Servicing

† All power levels are stated gross torque at 2600 rpm per SAE J1940.  
‡ All power levels are stated gross HP at 3600 rpm per SAE J1940.







\* Subject to remaining factory inventory



# 13-20 MISCELLANEOUS

	<p><b>Grease Gun</b></p>	<p>Well crafted from quality materials and chrome-plated to extend its life, these use the standard Briggs &amp; Stratton 14 oz. (379g) long grease tubes. A short stroke lever-action makes it easy to use in tight spaces. 14 oz. grease tube part number - 100059</p>	<p>100110</p>
	<p><b>High-Performance Grease</b></p>	<p>14 oz. (397g) cartridge. Moly/graphite provides maximum anti-wear protection. Ideal for industrial, automotive, &amp; outdoor power equipment</p>	<p>100059</p>
	<p><b>Fix-A-Thread Kits</b></p>	<p>For repairing damaged and stripped threads. 100024 Master Thread Repair Kit includes: 100007 (thread repair kit 10-32), 100008 (thread repair kit 1/4-20), 100009 (thread repair kit 5/16-18), 100010 (thread repair kit M5x.8), 100011 (thread repair kit M8x1.25), 100013 (thread repair kit 14 mm Spark Plug). Thread insert refills: 4185 - 10-32 refill - 10</p>	<p>100024</p>
	<p><b>Quick Fuel Line Disconnects</b></p>	<p>These fuel line quick disconnects allow the fuel line to be separated without fuel leakage. When servicing or testing equipment that frequently needs to have the engine or fuel tank separated from the equipment, these fittings offer you a spill-proof method. The male end is part number 192695GS and the female end is part number 189117GS. Both are available as a Briggs &amp; Stratton Power Products part number.</p>	<p>192695GS 189117GS 189117GS</p>
	<p><b>Grease Gun Kit - Simple one-Handed Operation</b></p>	<p>Contains steel grease gun, application tube &amp; one 3 oz. grease cartridge.</p>	<p>100057</p>
	<p><b>Grease Gun Refill Kit</b></p>	<p>Grease Refill Cartridges for Grease Gun Kit 100057</p>	<p>100058</p>
	<p><b>Pen Light</b></p>	<p>Featuring a black ink refill on one side and an LED flashlight on the other, you're ready to peer into poorly lighted spaces such as carburetor jets or fuel tanks and record your findings on a shop ticket. Flashlight uses 3 LR41 button cells (included)</p>	<p>CE5004</p>
	<p><b>Hydraulic Hose Disconnect</b></p>	<p>For use on Conquest and Prestige power steering</p>	<p>1686997SM</p>

# MISCELLANEOUS 13-21

	<p><b>Caliper</b></p>	<p>Takes the guess work out of leveling mower decks. Calibrated from 1.5" to 3.25"</p>	<p>1686997SM</p>
	<p><b>Flow Meter Kit</b></p>	<p>For testing and troubleshooting hydraulic systems.</p>	<p>1687102SM</p>
	<p><b>Quick Connect Coupling</b></p>	<p>Use this as an add on to flow meter 1687102SM to allow flow meter to plug into hydraulic. Requires use of a Male Pipe X Male JIC Adaptor</p>	<p>2173359SM</p>
	<p><b>Drive Disc Adjustment Tool</b></p>	<p>Used to adjust the drive disc on the rear engine rider.</p>	<p>7060601YP</p>
	<p><b>Spanner Wrench</b></p>	<p>Use this tool to adjust the rear shocks on select models.</p>	<p>5022853SM</p>
	<p><b>Repower Terminal Kit</b></p>	<p>The Engine Repower Terminal Kit will equip you to handle almost any electrical connector or terminal service work on nearly any air-cooled engine equipment repower that comes your way. The generous selection of connectors and terminals provides you with the necessary component to perform equipment repower by removing the old worn out non- Briggs &amp; Stratton engine and replacing it with a new modern Briggs &amp; Stratton engine. This Repower Kit is designed to work on virtually all pieces of equipment manufactured globally.</p>	<p>19615</p>

Service Tools  
Miscellaneous

† All power levels are stated gross torque at 2600 rpm per SAE J1940.  
‡ All power levels are stated gross HP at 3600 rpm per SAE J1940.

\* Subject to remaining factory inventory

















**BRIGGS & STRATTON®**  
**GENUINE**  
**PARTS**











**WARRANTY**  
**APPROVED.**  
**PERIOD.**

# GENERATOR PARTS 14-1

	<b>Assembly, Regulator, Power</b>		84132GS	
	<b>Brush Assembly/ Rectifier Holder</b>	Fits all direct excited generators	91825GS	
	<b>Circuit Breaker 20 Amp</b>	Used on most generators	75207GS	
	<b>Fuel Valve</b>	Used on most metal tanks	310573GS	
	<b>Outlet, 120V</b>	Plastic, snap-in receptacle used to operate 120 volt, 60 Hz single phase loads requiring 1,800 watts at 15 amps of current	66818GS	
	<b>Brush Assembly Holder</b>	Fits non-direct excited systems	66386GS	
	<b>Battery charger</b>	Used on units with electric starts	B4177GS	
	<b>Fuel Gauge Cap, 7 Gallon</b>	Fits 7 gallon plastic fuel tanks on generators	B4363GS	
	<b>Fuel Valve Service Kit</b>	Fuel valve and brushing allows control of fuel flow to carburetor, turn OFF for transport and storage, fits most plastic fuel tanks	192980GS	
	<b>Oil Filter</b>		70185GS	
	<b>Voltage Regulator</b>		205858GS	
	<b>High Endurance Pump Oil</b>	15 fl. oz. Premium full synthetic oil for maximum pump life & protection	6033	Case Pack Qty - 4

† All power levels are stated gross torque at 2600 rpm per SAE J1940.  
‡ All power levels are stated gross HP at 3600 rpm per SAE J1940.

# 14-2 PRESSURE WASHER ACCESSORIES

	<b>Wood Surface Cleaner Concentrate</b>	32 fl. oz. (946ml) - Concentrated, makes 4 gallons of cleaner	6065	Case Pack Qty - 6
	<b>Vehicle/Boat Wash Concentrate</b>	32 fl. Oz.	6067	Case Pack Qty - 6
	<b>Pump Saver</b>	9 oz. - protects against freezing for safe, cold weather storage. Provides longer pump life, maintains seals & pistons, prevents harmful buildup of hard water mineral deposits in pump.	6151	Case Pack Qty - 6
	<b>Pump Saver</b>	4 oz. can Protects against freezing; For safe, cold weather storage. Provides longer pump life; Maintains seals & pistons. Prevents harmful buildup of hard water mineral deposits in pump	6039	Case Pack Qty - 6
	<b>Heavy Duty Degreaser Wash</b>	32 fl. oz. (946ml) - Concentrated, makes 4 gallons of cleaner	6066	Case Pack Qty - 6
	<b>Multi-Purpose Wash Concentrate</b>	32 fl. oz.	6068	Case Pack Qty - 6
	<b>Second Story Nozzle Kit</b>		6177	Case Pack Qty - 4
	<b>Surface Cleaner</b>		6178	Case Pack Qty - 4
	<b>25' Replacement/Extension</b>		6189	Case Pack Qty - 4
	<b>30' Replacement Hose</b>		6188	Case Pack Qty - 4
	<b>50' Replacement/Extension Hose</b>		6192	Case Pack Qty - 4

Power Products Parts  
Pressure Washer Accessories



† All power levels are stated gross torque at 2600 rpm per SAE J1940.  
‡ All power levels are stated gross HP at 3600 rpm per SAE J1940.


















# PRESSURE WASHER ACCESSORIES 14-3

		<b>Garden Hose Quick Connect Kit</b>		6190	Case Pack Qty - 4
		<b>High Pressure Hose Quick Connect Kit</b>		6191	Case Pack Qty - 4
		<b>Quick Connect Spray Tips</b>		6193	Case Pack Qty - 4
		<b>Quick Connect Turbo Nozzle</b>	3000 PSI*	6195	Case Pack Qty - 4
		<b>5-in-1 Nozzle</b>		6197	Case Pack Qty - 4
		<b>Spray Gun</b>	3000 PSI*	6200	Case Pack Qty - 4
		<b>Soft-Grip Spray Gun</b>	3800 PSI*	6201	Case Pack Qty - 4
		<b>Adjustable Spray Wand</b>		6202	Case Pack Qty - 4
		<b>Heavy Duty Turbo Wand</b>	3000 PSI*	6203	Case Pack Qty - 4
		<b>33" Quick Connect Spray Wand</b>	For pressure washers up to 4000 PSI*. Connects to male M22 x 1.5 spray gun fittings. 33" long. Quick Connect fittings for easy connection to spray tips or other accessories	6204	Case Pack Qty - 4
		<b>9 ft. Extension Wand</b>	3-piece wand extension kit	6206	Case Pack Qty - 4

\*Pressure washers are rated in accordance to the Pressure Washer Manufacturer Association (PWMA) standard PW101 (Testing and Rating Performance for Pressure Washers)

† All power levels are stated gross torque at 2600 rpm per SAE J1940.  
‡ All power levels are stated gross HP at 3600 rpm per SAE J1940.

# 14-4 PRESSURE WASHER ACCESSORIES

		<b>20" Quick Connect Spray Wand</b>	For pressure washers up to 3200 PSI*. Connects to male M22 x 1.5 spray gun fittings. 20" long . Quick Connect fitting for easy connection to spray tips or other accessories	6205	Case Pack Qty - 4
		<b>Dual Action Brush</b>	Cleaning brush with rotating bristles Hooks directly to the spray gun	6208	Case Pack Qty - 4
		<b>Pump Hose Quick Connect Kit</b>	Accessory which allows quick disconnections to the unit and the high pressure hose	6216	Case Pack Qty - 4
		<b>Project Pro® Spray Tips</b>		6194	Case Pack Qty - 4
		<b>Quick Connect Turbo Nozzle</b>	4000 PSI*	6196	Case Pack Qty - 4
		<b>O-Ring Replacement Kit</b>		6198	Case Pack Qty - 4
		<b>Cleaning Solution Siphon Hose &amp; Filter</b>		6214	Case Pack Qty - 4
		<b>Multi-Purpose Brush Kit</b>	Package includes: Rotating brush. Utility brush, 3 adapters to fit most gas & electric pressure washers up to 2650 PSI	6057	Case Pack Qty - 2
		<b>HydroFoam™ Wash</b>	24 fl. oz. Concentrated foam wash; To be used with the HydroFoam™ Launcher. Makes 1 gallon of cleaner; Cleans 4 average cars or 800 sq. ft. of siding, docking and concrete	6092	Case Pack Qty - 6
		<b>Oil</b>	5.3 oz- synthetic	190585GS	
		<b>Oil</b>	4.6 oz bottle of oil - mineral	190586GS	













\*Pressure washers are rated in accordance to the Pressure Washer Manufacturer Association (PWMA) standard PW101 (Testing and Rating Performance for Pressure Washers)



† All power levels are stated gross torque at 2600 rpm per SAE J1940.  
‡ All power levels are stated gross HP at 3600 rpm per SAE J1940.

Power Products Parts  
Pressure Washer Accessories

# PRESSURE WASHER ACCESSORIES - PARTS 14-5

	<b>Aluminum Water Inlet Kit</b>	Used on some small frame pumps	190632GS
	<b>Chemical Injector Set, SS</b>	Fits most models	190593GS
	<b>1/4 x 25', M2 Hose</b>		19620
	<b>Pump Assembly Kit</b>	Used on small frame pumps	206376GS
	<b>Unloader Kit</b>	Used on earlier style small frame pumps	187879GS
	<b>Aluminum Water Outlet Kit</b>	Fits small frame pumps	190634GS
	<b>Fuel Valve Service Kit</b>	Fuel valve and brushing. Allows control of fuel flow to carburetor, turn OFF or transport and storage, fits most plastic fuel tanks	192980GS
	<b>2700 PSI Gun, AL</b>	Used on commercial style pumps up to 3200 PSI*	319853GS
	<b>1/4 x 30' Hose</b>		196138GS
	<b>Seal Kit Set</b>	Used on some medium frame pumps	190595GS
	<b>Unloader Manifold</b>	Fits small frame pumps	190627GS
	<b>Valve Check Kit</b>	Used on some small frame pumps	190591GS

Power  
Products Parts

Pressure Washer Accessories - Parts







\*Pressure washers are rated in accordance to the Pressure Washer Manufacturer Association (PWMA) standard PW101 (Testing and Rating Performance for Pressure Washers)

† All power levels are stated gross torque at 2600 rpm per SAE J1940.  
‡ All power levels are stated gross HP at 3600 rpm per SAE J1940.



# 14-6 PRESSURE WASHER PARTS



	<b>HI-LO Wand Assembly, AL</b>	Adjustable wand rated to 2100 PSI*	205015CGS	
	<b>Pressure Washer Pump</b>	Vertical shaft, axial cam, 7/8" shaft with 3/16" keyway, thermal relief & chemical injection. Uses a ring style mount, M22 x 1.5 high pressure and 3/4" garden hose connections	206383GS	
	<b>Pressure Washer Pump</b>	Vertical shaft, axial cam, 7/8" shaft with 3/16" keyway, thermal relief & chemical injection. Uses a standard flange mount, M22 x 1.5 high pressure and 3/4" garden hose connection	20707365GS	
	<b>Valve Check Kit</b>	Used on current small frame pumps	193806GS	
	<b>Pressure Washer Gun</b>	3800 PSI* Automatic trigger lock. Fits all hoses, wands and accessories with M22 x 1.5 inlet & outlet fittings	199990GS	
	<b>Garden Hose Filter</b>	Plain weave, stainless steel wire mesh. Protects pressure washer pump by filtering debris at pump inlet	B2384GS	

Power Products Parts













Pressure Washer Parts

\*Pressure washers are rated in accordance to the Pressure Washer Manufacturer Association (PWMA) standard PW101 (Testing and Rating Performance for Pressure Washers)



† All power levels are stated gross torque at 2600 rpm per SAE J1940.  
‡ All power levels are stated gross HP at 3600 rpm per SAE J1940.














# BELTS 15-1

	<b>Drive Belt</b>	30-38 & 40 gear & 50 gear drive LT pan frame tractors 30-40-42-46 & 48 decks w/ Peerless hydro drives	037X61MA
	<b>Blade Belt</b>	38" deck, new models since 1989	037X63MA
	<b>Blade Belt</b>	42" cut decks 1993	037X75MA
	<b>Drive Belt</b>	Fits Model 42516X92B	037X87MA
	<b>Blade Belt</b>	42" cut decks 1993	037X89MA
	<b>Blade Belt</b>	40" cut LT tractors, new models since 1989 w/side discharge	037X62MA
	<b>V-Belt (Deck)</b>	Blade drive belt, fits 42" hydro tractor	037X88MA
	<b>Blade Drive Belt</b>		37X111MA
	<b>Drive Belt</b>		742552MA
	<b>Auger Belt</b>		742550MA
	<b>21" Blade</b>	Combination blade, 21" mower deck, replaces 71584E701, 71584-853, 71161E701	2028
	<b>20" Blade</b>	20" Mulching blade, center hole round (.406")	471548MA

Murray Parts  
Belts



# 15-2 BLADES

		<b>40" Blade</b>	Combination 2 blade set. Replaces 95103E701, 56251E701, 92544E701, 456251, 95103-853	2029	
		<b>20" Blade</b>	Combination blade, replaces 672763E701, 671921E701	2031	
		<b>30" Blade</b>	Combination Mulch/Bag/Discharge Blade, replaces 1401079	77010793MA	
		<b>36" Blade Set</b>	Combination Mulch/Bag/Discharge, 2 blade set, replaces 54390E701, 54390HT, 24116HT, 2090HT	454390MA	
		<b>46" Blade Set</b>	Combination 3-Blade set, mulching blade, replaces 056631E701, 656631	2053	
		<b>22" Blade</b>	Combination blade, 22" mower deck, replaces 1101120E701, 672735E701, 71849E701, 71499E701, 71113E701, 671849-853	2030	
		<b>42" Blade</b>	2 blade set, replaces 95100E701, 95100-853. 56252E701, 92545E701, 456252	2027	
		<b>38" Blade</b>	Combination Mulch/Bag/Discharge, 2 blade set, replaces 95104E701, 92543E701, 56250E701 Round hole (.852")	4951043MA	
		<b>30" Blade</b>	Combination Mulch/Bag/Discharge blade, replaces 56217E701	4562173MA	
		<b>Blade Adapter Kit</b>	Assembly for Murray riding mowers with splined mandrel(s)	491926MA	Case pack Qty. - 20
		<b>Idler Pulley</b>	For Murray blade and motion drive idler systems, 42 Series Motion Drive Assembly	420613MA	Case pack Qty. - 24

Murray Parts







Blades

# MOWER/TRACTOR/SNOW THROWER PARTS 15-3

		<b>Idler Pulley</b>	Packaged part same as Murray 91891. For belt engagement pulley: 28, 40, 42 & 46	774089MA	Case pack Qty. - 10
		<b>Shear Bolt Kit</b>	For 22"-29" snow throwers with 10"-12" augers	500026MA	Case pack Qty. - 10
		<b>Shear Bolt Kit</b>		1501216MA	Case pack Qty. - 100
		<b>Splined Mandrel Kit</b>	Assembly for Murray riding mowers, 7.03" splines jackshaft	774091MA	Case pack Qty. - 10
		<b>Blade Adapter</b>	For riders	690411MA	Case pack Qty. - 100
		<b>Idler Pulley Kit</b>	Flat/backside idler pulley	421409MA	Case pack Qty. - 10
		<b>Jackshaft Assembly (Mandrel Housing)</b>	Assembly for all Murray riding mowers using a blade adapter	492574MA	Case pack Qty. - 10
		<b>Shear Bolt Kit</b>	For 27"-33" snow throwers with 16" augers	500027MA	Case pack Qty. - 10
		<b>Splined Mandrel Kit (Long-Fine Splines)</b>	Assembly for Murray riding mowers, 7.89" jackshaft threaded and splined	491922MA	Case pack Qty. - 10
		<b>Flat/Backside Idler Pulley</b>	Replaces 23238	423238MA	Case pack Qty. - 14
		<b>Shear Pin Kit</b>	Fits most snowthrowers, dual stage models from 2009 and prior.	742551MA	Case Pack Qty - 5








Murray Parts  
Mower/Tractor Parts

# 15-4 MOWER/TRACTOR/SNOW THROWER PARTS

		<b>Solenoid</b>	For all Murray electric start riders 1979 to present; replaces 24285, 9924285, 21261, 24466, 54743, 91291, 94613, 1002004	7701100MA	Case Pack Qty - 10
		<b>Wheel Bearing Set</b>		491334MA	Case Pack Qty - 10
		<b>Wheel, 8" x 2"</b>		1101433MA	Case Pack Qty - 10
		<b>Wheel, 8" x 2"</b>		774011MA	Case Pack Qty - 5
		<b>Wheel, 8" x 2"</b>	Drive wheel - front wheel drive mowers	672441MA	



# 16-2 SIGNS - BANNERS - FLAG








	<b>Briggs &amp; Stratton® Aluminum Sign</b>	Size 36" x 24", available for all service accounts	AM-9873A
	<b>Briggs &amp; Stratton® Authorized Service Center Aluminum Sign</b>	Size 36" x 24", available for all authorized sales & service accounts	AM-9951
	<b>Briggs &amp; Stratton® Commercial Power, Aluminum Sign</b>	Size 36" x 24"	AM-9954
	<b>The Power Within™ Banner</b>	Size 48" x 28"	AM-3006A
	<b>Commercial Power Banner</b>	Size 48" x 28"	AM-9855
	<b>Flag</b>	Size 60" x 36"	AM-9903A
	<b>Repower Snow Banner</b>	Size 48" x 28"	AM-5003

Dealer Merchandise



† All power levels are stated gross torque at 2600 rpm per SAE J1940.  
‡ All power levels are stated gross HP at 3600 rpm per SAE J1940.

## COUNTER MATS - IDENTITY ITEMS 16-3





 <p>PUT NEW LIFE IN YOUR OLD EQUIPMENT.</p>	<p><b>Repower Green Banner</b></p>	<p>Size 48" x 28"</p>	<p>AM-5004</p>
	<p><b>The Power Within™ Counter Mat w/Insert</b></p>	<p>Size 21" x 16", can display an 8.5" x 11" special advertising offer, counter mat is made of scratch resistant vinyl, non-skid backer</p>	<p>AM-3028B</p>
	<p><b>Commercial Power Counter Mat w/Insert</b></p>	<p>Size 21" x 16", can display an 8.5" x 11" special advertising offer, counter mat is made of scratch resistant vinyl, non-skid backer</p>	<p>AM-9856</p>
	<p><b>Authorized Sales Center Window Cling</b></p>	<p>Size 15" x 10", cling is made of 7.5 mil. Clear vinyl with 10 pt. backer</p>	<p>AM-9950A</p>
	<p><b>Counter Stool</b></p>	<p>Size 15" dia. X 28.5 Hgt.</p>	<p>AM-9886A</p>
	<p><b>Service Maintenance Tag</b></p>	<p>Size 3.125" x 10"</p>	<p>MS4097</p>
	<p><b>Briggs &amp; Stratton Floor Mat</b></p>	<p>Size 24" x 36", poly-vinyl mat for indoor/outdoor use, treaded rubber surface for a sure-foot grip.</p>	<p>AM-5001</p>

Dealer  
Merchandise

† All power levels are stated gross torque at 2600 rpm per SAE J1940.  
‡ All power levels are stated gross HP at 3600 rpm per SAE J1940.



## 16-4 IDENTITY ITEMS






	<p><b>Large Angle Engine Counter Stand</b></p>	<p>Size 10" x 12" footprint, for vertical engines 6 Gross HP† and up.</p>	<p>AM-9768</p>
	<p><b>Neon Clock</b></p>	<p>Size 14.75" diameter, clock illuminates when plugged into electrical outlet</p>	<p>AM-3021A</p>
	<p><b>Pennant String</b></p>	<p>Comes in 50' lengths, 25 pennants per string, for indoor/outdoor use.</p>	<p>AM-9905A</p>
	<p><b>Starter Rope Dispenser</b></p>	<p>Rope is included with the dispenser. Purchase rope on page 8-5.</p>	<p>AM-3031</p>

Dealer  
Merchandise



† All power levels are stated gross torque at 2600 rpm per SAE J1940.  
‡ All power levels are stated gross HP at 3600 rpm per SAE J1940.

# REPAIR FORMS & SUPPLIES 16-5

	<p><b>Imprinted Repair Order Form</b></p>	<p><b>273181</b> - \$200.00 per 1,000  <b>273189</b> - \$220.00 per 1,000 (With Laminate)          Log on to the Custom Marketing website, <a href="http://www.briggsdealermarketing.com">www.briggsdealermarketing.com</a> (for user name and password call 1-800-480-9403). If you are already set up -          User Name: Your email address          Password: Your Briggs &amp; Stratton dealer ID number</p> <ul style="list-style-type: none"> <li>• Order Part No. 273181 for dealer imprints on Repair Order Form</li> <li>• Order Part No. 273189 for dealer imprints on Repair Order Form with reinforced ID tag</li> <li>• Allow three to four weeks for delivery of imprinted forms</li> <li>• Minimum order quantity 1,000</li> </ul>
	<p><b>Imprinted Repair Tag</b></p>	<p><b>273279</b> - \$160.00 per 1,000          Log on to the Custom Marketing website, <a href="http://www.briggsdealermarketing.com">www.briggsdealermarketing.com</a> (for user name and password call 1-800-480-9403). If you are already set up -          User Name: Your email address          Password: Your Briggs &amp; Stratton dealer ID number</p> <ul style="list-style-type: none"> <li>• Allow three to four weeks for delivery of imprinted tags</li> <li>• Minimum order quantity 1,000</li> </ul>
	<p><b>Kraft Paper Bag</b></p>	<p>#2 4-1/4" W x 8" H x 2-3/4" Deep <b>273427</b> - \$30.00 for 200          #4 5-1/4" W x 9-1/4" H x 3-1/4" Deep <b>273428</b> - \$32.00 for 200          #6 6" W x 11" H x 3-1/2" Deep <b>273429</b> - \$34.00 for 200          #8 6-1/8" W x 12-1/2" H x 3-7/8" Deep <b>273430</b> - \$36.00 for 200</p> <ul style="list-style-type: none"> <li>• Natural unbleached kraft bag, ideal for genuine parts sales</li> <li>• Imprinted with Briggs &amp; Stratton logo featuring "Keep it Genuine with Genuine Parts"</li> <li>• Minimum order quantity 200. Each carton contains five banded packages of 200.</li> <li>• Available in four convenient sizes</li> </ul>
	<p><b>Poly Parts Bag</b></p>	<p>8" x 12" <b>273182</b> - \$20.40 per roll          10" x 16" <b>273183</b> - \$23.45 per roll</p> <ul style="list-style-type: none"> <li>• Heavy duty clear plastic bags on a convenient roll.</li> <li>• Ideal for returning parts to customers.</li> <li>• Two 3/4" punched holes for attaching to equipment</li> <li>• 6" wire ties included</li> <li>• Imprinted with B&amp;S logo featuring "Keep it Genuine with Genuine Briggs &amp; Stratton Parts"</li> <li>• Minimum order quantity 5 rolls (1,000). Each carton contains five rolls of 200 bags per roll.</li> <li>• Available in two convenient sizes</li> </ul>
	<p><b>Carton</b></p>	<p>18" x 14" x 8" <b>273275</b> - \$42.50 for 25 cartons          13-3/4" x 10-1/4" x 9-1/8" <b>273276</b> - \$32.50 for 25 cartons          11-3/4" x 8-3/4" x 4-3/4" <b>273277</b> - \$33.75 for 25 cartons          17" x 14-1/2" x 12-3/4" <b>273278</b> - \$45.00 for 25 cartons</p> <ul style="list-style-type: none"> <li>• 32# corrugated Kraft container that can hold up to 65 lbs.</li> <li>• Imprinted with "Keep it Genuine with Genuine Parts"</li> </ul>

Dealer Merchandise

† All power levels are stated gross torque at 2600 rpm per SAE J1940.  
 ‡ All power levels are stated gross HP at 3600 rpm per SAE J1940.







# BRIGGS & STRATTON DIAMOND DEALERS® MATTER

## MAINTAIN THE HIGHEST STANDARDS IN THE INDUSTRY

The Diamond Dealer® program is designed for the elite dealer who exhibits and maintains the highest standards in the industry. These standards are the cornerstone of this dealer designation. These include but are not limited to technical competency, timeliness and serving all consumers of Briggs & Stratton powered or manufactured products. The program offers great benefits and specific requirements. The Diamond Dealer will perform warranty service and provide a broad range of services for all consumers and specific mass retailers.



# ENGINE MODEL NUMBER KEY 17-1

## YOUR KEY TO THE WORLD'S FINEST ENGINES

This chart explains the unique Briggs & Stratton numerical model designation system. It is possible to determine most of the important mechanical features of the engine by merely knowing the model number. Here is how it works:

- A. The first one or two digits indicate the approximate CUBIC INCH DISPLACEMENT.
- B. The first digit after the displacement indicates the BASIC DESIGN SERIES, relating to cylinder construction, ignition, general configuration, etc.
- C. The second digit after the displacement indicates ORIENTATION OF CRANKSHAFT.
- D. The third digit after the displacement indicates TYPE OF BEARINGS, and whether or not the engine is equipped with REDUCTION GEAR or AUXILIARY DRIVE.
- E. The last digit indicates the TYPE OF STARTER.

### BRIGGS & STRATTON MODEL NUMBERING SYSTEM

<u>A</u>	<u>FIRST DIGIT AFTER DISPLACEMENT</u> <u>B</u>	<u>SECOND DIGIT AFTER DISPLACEMENT</u> <u>C</u>	<u>THIRD DIGIT AFTER DISPLACEMENT</u> <u>D</u>	<u>FOURTH DIGIT AFTER DISPLACEMENT</u> <u>E</u>
<u>CUBIC INCH DISPLACEMENT</u>	<u>BASIC DESIGN SERIES</u>	<u>CRANKSHAFT ORIENTATION</u>	<u>PTO BEARING, REDUCTION GEAR, AUXILIARY DRIVE, LUBRICATION</u>	<u>TYPE OF STARTER</u>
2	0	0 to 4 - Horizontal Shaft	0 - Plain Bearing/DU Non-Flange Mount	0 - Without Starter
5	1	5 to 9 - Vertical Shaft	1 - Plain Bearing Flange Mounting	1 - Rope Starter
6	2	A to G - Horizontal Shaft	2 - Sleeve Bearing Flange Mounting Splash Lube	2 - Rewind Starter
8	3	H to Z - Vertical Shaft	3 - Ball Bearing Flange Mounting Splash Lube	3 - Electric Starter Only 110 or 230 Volt Gear Drive
9	4		4 - Ball Bearing Flange Mounting Pressure Lubrication	4 - Electric Starter/110 or 230 Volt Gear Drive with Alternator
10	5		5 - Plain Bearing Gear Reduction (6 to 1) CCW Rotation Flange Mounting	5 - Electric Starter Only 12 or 24 Volt Gear Drive
11	6		6 - Ball Bearing Gear Reduction (2 to 1) CCW Rotation	6 - Alternator Only
12	7		7 - Plain Bearing Pressure Lubrication	7 - Electric Starter 12 or 24 Volt Gear Drive with Alternator
13	8		8 - Plain Bearing Auxiliary Drive (PTO) Perpendicular to Crankshaft	8 - Vertical Pull Starter or Side Pull Starter
15	9		9 - Plain Bearing Auxiliary Drive Parallel to Crankshaft	9 - Mechanical Starter
16	A to Z		A - Plain Bearing Pressure Lubrication Without Oil Filter	A - Electric Starter 12 or 24 Volt Gear Drive with Alternator and Inverter
18				
19				
20				
21				
22				
23				
24				
25				
28				
29				
30				
31				
32				
35				
38				
40				
42				
43				
44				
46				
47				
49				
52				
54				
58				
61				

EXAMPLE - To identify Model 303447:

<u>30</u>	<u>3</u>	<u>4</u>	<u>4</u>	<u>7</u>
30 Cubic Inch	Design Series 3	Horizontal Shaft	Ball Bearing Flange Mounting Pressure Lubrication	Electric Starter 12 or 24 Volt Gear Drive with Alternator

**TYPE** 1234-01, The type number identifies the engines mechanical parts, color of paint, decals, governed speed, and Original Equipment Manufacturer.

**CODE** 01061201, The code is the manufacturing date and is read as follows:

<u>YEAR</u>	<u>MONTH</u>	<u>DAY</u>	<u>ASSEMBLY LINE AND MANUFACTURING PLANT</u>
01	06	12	01

# 17-2 QUICK REFERENCE CHART

VERTICAL SHAFT							
MODEL NUMBER		80000	90000	90000/ 100000	90000/ 100000	100000	120000
Brand Name		OHV	OHV	Classic™ / Q™ / Sprint™ / SQ® / Quattro™ (L-Head Only)	DOV®	DOV	Quantum® Quantum® - Snow L-Head
Series Name		300, 450	500, 550, 550/575, 625	300,450, 475, 500, 550	750/775, 750	700	625, 650, 675, 700
HP Rating							
Air Filter Assembly	Packaged Part Number	5434	5434	Green: 5047 Yellow: 5088	N/A	N/A	5043
	Service Part Number	799579	799579	Green: 272235 Yellow: 698369	793676	792038	491588S
Air Filter Pre-Cleaner	Packaged Part Number	N/A	N/A	N/A	N/A	N/A	5064
	Service Part Number	N/A	N/A	N/A	N/A	793676	493537S
Platinum Spark Plug	Packaged Part Number	N/A	N/A	6062	N/A	6062	6062
	Service Part Number	N/A	N/A	796560	N/A	796560	796560
Standard Spark Plug	Packaged Part Number	N/A	N/A	5095	N/A	5095	5095
	Service Part Number	692720	692051	802592S	692720	802592S	802592S
Fuel Filter	Packaged Part Number	N/A	N/A	N/A	N/A	5018	5018
	Service Part Number	N/A	N/A	N/A	N/A	298090	298090S
Oil Filter	Packaged Part Number	N/A	N/A	N/A	N/A	N/A	N/A
	Service Part Number	N/A	N/A	N/A	N/A	N/A	N/A
Oil	Packaged Part Number	100005	100005	100005	100005	100005	100005, Snow: 100030
Gas Cap	Packaged Part Number	5436, 5044 (Qty. 1) or 4227 (Qty. 5)	591003 BHOP, 5436	5057	5044 (Qty. 1) or 4227 (Qty. 5), both Std. Packaged N/A Tethered	5057	5044 (Qty. 1) or 4227 (Qty. 5) 5436 (for 799585)
	Service Part Number	799585 (tethered), 692046 (plain)	591003 (Plastic Red) 799585 (Plastic Black) 692046 (Plastic)	497929	692046 (Std.) 796577 (Tethered)	497929	692046 (Std) 591003 (tethered qtr. turn) 799585 (tethered qtr. turn) 796577 (tethered)
Tune-up Kit	Packaged Part Number	N/A	5129	Yellow Air Filter: 5129 Green Air Filter 5107	N/A	N/A	5140
Fuel Stabilizer	Packaged Part Number	5442	5442	5442	5442	5442	5442

Reference



† All power levels are stated gross HP at 3600 rpm per SAE J1940.

# QUICK REFERENCE CHART 17-3

VERTICAL SHAFT							
MODEL NUMBER		120000	120000	110000/ 120000	140000	210000	310000
Brand Name		Intek™	OHV (W14)	Professional Series™	OHV (W28)	Intek™ - Gasoline/Power Built™	Intek™ - Gasoline/Power Built™ /Professional
Series Name		825/850/875	725/775/ 800/850/ 875	775/850/875	950, 1000		
HP Rating						10.5-13 gross HP†	13.5-19.5 gross HP†
Air Filter Assembly	Pkg Part No.	N/A, N/A, 5433 (for 797301)	5419 incl. 796254 Pre-Cleaner	5419 incl. 796254 Pre-Cleaner	5419 incl. 796254 Pre-Cleaner	5079	5415 incl. 272490S Pre-Cleaner
	Serv. Part No.	491588S (cartridge), 493537S, 797301	795066	795066	795066	591583	793569
Air Filter Pre-Cleaner	Pkg Part No.	N/A	N/A	N/A	N/A	N/A	N/A
	Serv. Part No.	N/A	796254	796254	796254	272403	793685
Platinum Spark Plug	Pkg Part No.	N/A		N/A	N/A	5066	N/A
	Serv. Part No.	N/A		N/A	N/A	696202	793541
Standard Spark Plug	Pkg Part No.	N/A	N/A	N/A	N/A	N/A	N/A
	Serv. Part No.	591868 (After Date Code 11063000), 796112S, 697451 (Both before Date Code 11070100)	692051	692051	692051	491055S	N/A
Fuel Filter	Pkg Part No.	N/A	N/A	N/A	N/A	5098 (394358S) 5065 (691035)	5018
	Serv. Part No.	694485	298090S	298090S	298090S	394358S (white, 75 microns) 691035 (40 microns)	394958S (white 75 mic) 691035 40 microns 695666 30 microns
Oil Filter	Pkg Part No.	N/A	N/A	N/A	N/A	5049	NA (798576) 5076 (696854)
	Serv. Part No.	N/A	N/A	692513	795990	492932S	798576 (Black) 696854 (Yellow)
Oil	Pkg Part No.	100005	100005	100005	100005	100028	100028
Gas Cap	Pkg Part No.	N/A	5436, N/A	5436, N/A	N/A, 5044 (Qty. 1) or 4227 (Qty. 5), N/A	N/A	5049
	Serv. Part No.	795900	799585, 796577	799585, 796577	799585, 692046, 796577	795027 (Std) 799719 (Carbon in Cap)	492932
Tune-up Kit	Pkg Part No.	5135	5131	N/A	5131	5137	5137
Fuel Stabilizer	Pkg Part No.	5442	5442	5442	5442	5442	5442

† All power levels are stated gross HP at 3600 rpm per SAE J1940.



Reference

# 17-4 QUICK REFERENCE CHART

VERTICAL SHAFT							
MODEL NUMBER		330000	400000 V-Twin	400000/ 440000/ 490000	440000 V-Twin	490000 V-Twin	290000
Brand Name		Intek™ / Extended Life Series™ /Professional	Intek™ / Intek™ - Single & Double Barrel/ Professional Series™	Extended Life Series™	Intek™™ / Intek™™ - Single & Double Barrel/ Professional Series™™ / Commercial Turf w/ Cyclonic A/C	Commercial Turf with Cyclonic Air Filter	Vanguard™ - Gasoline
HP Rating		19-21 gross HP†	18-22 gross HP†	18-22 gross HP†	16-27 gross HP†	27-30 gross HP†	16 gross HP†
Air Filter Assembly	Packaged Part Number	5415 w/ Pre-Cleaner	N/A	5405	792105	792105	5050
	Service Part Number	793569	591334	792105	5405	5405	394018S
Air Filter Pre-Cleaner	Packaged Part Number	N/A	N/A	N/A	N/A	N/A	N/A
	Service Part Number	793685	N/A	792303	N/A	N/A	272490S
Platinum Spark Plug	Packaged Part Number	N/A	N/A	N/A	N/A	N/A	N/A
	Service Part Number	N/A	N/A	N/A	N/A	N/A	N/A
Standard Spark Plug	Packaged Part Number	N/A	N/A	N/A	N/A	N/A	N/A
	Service Part Number	792015	792015	491055S	792015	491055S	555737
Fuel Filter	Packaged Part Number	5098 (394358S) 5065 (691035)	5065	5065	N/A	N/A	5065
	Service Part Number	394958S (white 75 mic) 691035 40 microns 695666 30 microns	691035	695666	695666	695666	691035
Oil Filter	Packaged Part Number	798576	N/A	N/A, 5049, N/A	N/A	N/A	N/A
	Service Part Number	N/A	492932S	795890 (Yellow), 492932S (Black), 798576 (Orange)	795890	795890	842921
Oil	Packaged Part Number	100028	100028	100028	100028	100028	100028
Tune-up Kit	Packaged Part Number	N/A	N/A	N/A	N/A	N/A	5119
Fuel Stabilizer	Packaged Part Number	5442	5442	5442	5442	5442	5442

Reference



† All power levels are stated gross HP at 3600 rpm per SAE J1940.

# QUICK REFERENCE CHART 17-5

VERTICAL SHAFT						
MODEL NUMBER		300000	350700 to 356700	358700	359700	380700 to 385700
Brand Name		Vanguard™ - Gasoline	Vanguard™ - Gasoline	Vanguard™ - Gasoline	Vanguard™ - Gasoline	Vanguard™ - Gasoline
HP Rating		16 gross HP†	18-20 gross HP†	18-20 gross HP†	18-20 gross HP†	23 gross HP†
Air Filter Assembly	Packaged Part Number	5050	5050	N/A	N/A	N/A
	Service Part Number	394018S	394018S	692519 (Cartridge-Round) 820263 (Cartridge)	841359	692519
Air Filter Pre-Cleaner	Packaged Part Number	N/A	N/A	N/A	N/A	N/A
	Service Part Number	272490S	272490S	692520 (for 692519) N/A for 820263	272490S	692520
Platinum Spark Plug	Packaged Part Number	N/A	N/A	N/A	N/A	N/A
	Service Part Number	N/A	N/A	N/A	N/A	N/A
Standard Spark Plug	Packaged Part Number	N/A	N/A	N/A	N/A	N/A
	Service Part Number	792015	792015	792015	692051	792015
Fuel Filter	Packaged Part Number	for 691035: 5065 845125: none	for 691035: 5065 845125: none	5065	N/A	5065
	Service Part Number	691035 (Incl. 40 micron Paper element) or 845125 (No description)	691035 (Incl. 40 micron Paper element) or 845125 (No description)	691035 (Incl. 40 micron Paper element)	N/A	691035
Oil Filter	Packaged Part Number	N/A	N/A	N/A	N/A	5049
	Service Part Number	842921	842921	842941	841023	492932S
Oil	Packaged Part Number	100028	100028	100028	1000028	100028
Tune-up Kit	Packaged Part Number	5119	5119	5119	N/A	5119
Fuel Stabilizer	Packaged Part Number	5442	5442	5442	5442	5442

Reference



† All power levels are stated gross HP at 3600 rpm per SAE J1940.

# 17-6 QUICK REFERENCE CHART

VERTICAL SHAFT					
MODEL NUMBER		386700	490000 V-Twin	540000/ 610000	540000/ 610000
Brand Name		Vanguard™ - Gasoline	Vanguard™ / Vanguard™ Gaseous/Vanguard™ EFI/ Professional Series™ / Commercial Turf w/ Cyclonic A/C	Vanguard™ - Gasoline	Vanguard™ - Gaseous
HP Rating		23 gross HP†	24-26 gross HP†	26-36 gross HP†	
Air Filter Assembly	Packaged Part Number	N/A	N/A	N/A (All three)	Cyclonic: N/A Low Profile: N/A
	Service Part Number	692519 (Cartridge-Round) 820263 (Cartridge)	792105	841497, 821136, 692519 (Round)	Cyclonic: 841497 Low Profile: 692519
Air Filter Pre-Cleaner	Packaged Part Number	N/A	N/A	N/A (692520)	Cyclonic: N/A Low Profile: N/A
	Service Part Number	692520 (for 692519) N/A for 820263	N/A	692520 (for 692519) N/A for other two	Cyclonic: 821136 Low Profile: 692520
Platinum Spark Plug	Packaged Part Number	N/A	N/A	N/A	5066
	Service Part Number	N/A	N/A	N/A	696202
Standard Spark Plug	Packaged Part Number	N/A	N/A	N/A	5092
	Service Part Number	491055S	491055S	491055S	496018S
Fuel Filter	Packaged Part Number	5065	N/A	N/A	N/A
	Service Part Number	691035 (Incl. 40 micron Paper element)	695666	845125	N/A
Oil Filter	Packaged Part Number	N/A	N/A	N/A	N/A
	Service Part Number	842921	795890	842921	842921
Oil	Packaged Part Number	100028	100028	100028	100028
Tune-up Kit	Packaged Part Number	N/A	N/A	N/A	N/A
Fuel Stabilizer	Packaged Part Number	5442	5442	5442	5442

Reference



† All power levels are stated gross HP at 3600 rpm per SAE J1940.

# QUICK REFERENCE CHART 17-7

HORIZONTAL SHAFT							
MODEL NUMBER		80000	90000	120000/ 150000/ 200000/ 210000	New Model 19 Utility	25T000	50000/ 80000 110000/ 130000 180000/ 230000 240000
Brand Name		Briggs & Stratton®	I/C® Power Built™	Intek™		Briggs & Stratton®	Vanguard™
Series Name		550	475/525	800/ 900/ 1100/ 1300/ 1400/ 1500/ 1650	1450 Series	1650-2100 Series™	
HP Rating							
Air Filter Assembly	Pkg Part No.	Oval: N/A Round: N/A	5404	5043	5043, N/A	5043, N/A	N/A except for 130000 which takes 5043
	Service Part Number	Oval: 797258 Round: 796970	790166	491588S	491588S, 592605	491588S, 799818	All take 711460 except for 130000 which takes 491588
Air Filter Pre-Cleaner	Pkg Part No.	N/A	N/A	5064	N/A	N/A	N/A
	Service Part Number	N/A	N/A	493537S	N/A	798795	All take: 711460 Except for 130000 which takes: 491435
Platinum Spark Plug	Pkg Part No.	N/A	5062	N/A	N/A	N/A	N/A
	Pkg Part No.	N/A	796560	N/A	N/A	N/A	N/A
Standard Spark Plug	Pkg Part No.	N/A	5095	N/A, N/A	N/A	N/A	N/A
	Service Part Number	798615	802592S	691043 (EMS), 491055S (Resistor)	797235	797235	491055S
Fuel Filter	Pkg Part No.	N/A-797346, 5098-394358S	N/A	5098	N/A, 5098	N/A	N/A
	Service Part Number	797346, 394358	N/A	394358S	797346, 394358S	797346	N/A
Oil Filter	Pkg Part No.	N/A	N/A	N/A	N/A	N/A	N/A
	Service Part Number	N/A	N/A	N/A	N/A	N/A	N/A
Oil	Pkg Part No.	100005	100005	100028	100030	N/A	100028
Gas Cap	Pkg Part No.	N/A	N/A	N/A, N/A, N/A	N/A, N/A	N/A, N/A	5044 (Qty. 1) or 4227 (Qty. 5), N/A
	Service Part Number	799324	N/A	795221, 799719, 792647	794641 Metal, 799324 (Plastic)	794641 (Metal) 799324 (Plastic)	692046 (Std.) 796577 (Tethered)
Tune-up Kit	Pkg Part No.	N/A	5140	5140	N/A	N/A	N/A
Fuel Stabilizer	Pkg Part No.	5442	5442	5442	5442	5442	5442

Reference

† All power levels are stated gross HP at 3600 rpm per SAE J1940.





# 17-8 QUICK REFERENCE CHART

Horizontal Shaft							
MODEL NUMBER		120000/ 200000	130000	190000	24000	80000	10D1
Brand Name		Vanguard™	Vanguard™	Vanguard™	Vanguard™	Briggs & Stratton®	Briggs & Stratton®
Series Name					2434	Two-Cycle Snow	Snow Series 750
HP Rating		6.5 gross HP†	6.5 gross HP†	9-10 gross HP†			
Air Filter Assembly	Packaged Part Number	5043	N/A	N/A	N/A	N/A	N/A
	Service Part Number	491588	797033	797032	710266	N/A	N/A
Air Filter Pre-Cleaner	Packaged Part Number	5064	N/A	N/A	N/A	N/A	N/A
	Service Part Number	493537	798513	798795	710268	N/A	N/A
Platinum Spark Plug	Packaged Part Number	5066	N/A	N/A	N/A	N/A	N/A
	Service Part Number	696202	N/A	N/A	N/A	N/A	N/A
Standard Spark Plug	Packaged Part Number	5092	N/A	N/A	N/A	N/A	N/A
	Service Part Number	496018S	691043	491055S	491055S	801254	691043
Fuel Filter	Packaged Part Number	N/A	N/A	5098	5018, 5065	N/A	N/A
	Service Part Number	792917	N/A	394358S	298090S, 691035 (Used on Type No. 0299)	N/A	797346
Oil Filter	Packaged Part Number	N/A	N/A	N/A	N/A	N/A	N/A
	Service Part Number	N/A	N/A	N/A	N/A	N/A	N/A
Oil	Packaged Part Number	100028	100030	100028	100028	100030	100030
Gas Cap	Packaged Part Number	N/A	N/A	N/A	N/A	N/A	N/A
	Service Part Number	N/A	799324	799324	491367	N/A	692046 (Std.) 796577 (Tethered)
Tune-up Kit	Packaged Part Number	N/A	N/A	N/A	N/A	N/A	N/A
Fuel Stabilizer	Packaged Part Number	5442	5442	5442	5442	5442	5442

Reference



† All power levels are stated gross HP at 3600 rpm per SAE J1940.

# QUICK REFERENCE CHART 17-9

HORIZONTAL SHAFT								
MODEL NUMBER		12A1/12D1	13D1	15C1	19J1	25D1/25M1	240000	320000
Brand Name		Briggs & Stratton®	Briggs & Stratton®	Briggs & Stratton®	Briggs & Stratton®	Briggs & Stratton®	Cast Iron	Cast Iron
Series Name		Snow Series 800, 900	Snow Series 950	Snow Series 1150	Snow Series 1450	Snow Series 1650, 2100	2434	3264/32747
HP Rating								
Air Filter Assembly	Packaged Part Number	N/A	N/A	N/A	N/A	N/A	N/A	N/A
	Service Part Number	N/A	N/A	N/A	N/A	N/A	393957S	393957S
Air Filter Pre-Cleaner	Packaged Part Number	N/A	N/A	N/A	N/A	N/A	N/A	N/A
	Service Part Number	N/A	N/A	N/A	N/A	N/A	271794S	271794S
Platinum Spark Plug	Packaged Part Number	N/A	N/A	N/A	N/A	N/A	N/A	N/A
	Service Part Number	N/A	N/A	N/A	N/A	N/A	N/A	N/A
Standard Spark Plug	Packaged Part Number	N/A	N/A	N/A	N/A	N/A	N/A	N/A
	Service Part Number	491055S (Resistor) 691043 (EMS)	691043	491055S (Resistor) 691043 (EMS)	696202	696202	802592S	802592S
Fuel Filter	Packaged Part Number	N/A	N/A	N/A	N/A	N/A	N/A 5018 5098	N/A 5018 5098
	Service Part Number	N/A	797346	N/A	797346	797346	690612 298090S 394358S (White)	690612 298090S 394358S (White)
Oil Filter	Packaged Part Number	N/A	N/A	N/A	N/A	N/A	N/A	N/A
	Service Part Number	N/A	N/A	N/A	N/A	N/A	N/A	N/A
Oil	Packaged Part Number	100030	N/A	N/A	N/A	100030	100028	100028
Gas Cap	Packaged Part Number	N/A, N/A, N/A	N/A	N/A, N/A, N/A, N/A	N/A	N/A	N/A	N/A
	Service Part Number	795027 (Plastic Text Free) 792647 (Plastic Fresh Start) 799719 (Plastic Carbon in Cap)	794641 (Metal)	795027 (Plastic Text Free) 792647 (Plastic Fresh Start) 799719 (Plastic Carbon in Cap) 698109 (Plastic)	794641 (Metal)	N/A	791545 (Chrome)	791545 (Chrome)
Tune-up Kit	Packaged Part Number	N/A	N/A	N/A	N/A	N/A	N/A	N/A
Fuel Stabilizer	Packaged Part Number	5442	5442	5442	5442	5442	5442	5442

Reference

† All power levels are stated gross HP at 3600 rpm per SAE J1940.



# 17-10 QUICK REFERENCE CHART

HORIZONTAL SHAFT						
MODEL NUMBER		290000	300000	350700 to 356700	358700	359700
Brand Name		Vanguard™	Vanguard™	Vanguard™	Vanguard™	Vanguard™
Series Name		2953, 2964, 2973	3054	3514, 3554, 3564		
HP Rating		16 gross HP†	16 gross HP†	18-20 gross HP†	18-20 gross HP†	18-20 gross HP†
Air Filter Assembly	Packaged Part Number	5050	N/A	5050, N/A, N/A	N/A	N/A
	Service Part Number	394018S, 845090	845090	394018S, 393957S, 845090	692519 (Round), 820263	841359
Air Filter Pre-Cleaner	Packaged Part Number	N/A, N/A	N/A, N/A	N/A, N/A	N/A	N/A
	Service Part Number	272490S, 271794S	272490S, 271794S	272491S, 272490S	692520	272490S
Platinum Spark Plug	Packaged Part Number	N/A	N/A	N/A	5066	N/A
	Service Part Number	N/A	N/A	N/A	696202	N/A
Standard Spark Plug	Packaged Part Number	N/A	N/A	N/A	N/A	N/A
	Service Part Number	792015	491055S	496018S (Resistor- Hot), 491055S (Resistor), 691043 (Gold Term EMS), 792015 (Resistor EMS)	792015	496018S
Fuel Filter	Packaged Part Number	N/A 5065	5065, N/A, N/A	N/A, N/A, 5065,	N/A	N/A
	Service Part Number	844545 691035	691035, 808116S, 844545	844545, 808116S, 691035, 845125	691035	N/A
Oil Filter	Packaged Part Number	N/A	N/A	N/A	N/A	N/A
	Service Part Number	842921	842921	842921	842921	842921
Oil	Packaged Part Number	100028	100028	100028	100028	100028
Gas Cap	Packaged Part Number	N/A, N/A	N/A, N/A	N/A, N/A	N/A	N/A
	Service Part Number	844728 (Plastic), 200095GS (Plastic)	795027 (Plastic), 844728 (Plastic)	795027 (Plastic Std. Grip) 844728 (Plastic Tethered Cap)	N/A	N/A
Tune-up Kit	Packaged Part Number	N/A	N/A	5119	5120	N/A
Fuel Stabilizer	Packaged Part Number	N/A	N/A	5442	5442	5442

Reference



† All power levels are stated gross HP at 3600 rpm per SAE J1940.

# QUICK REFERENCE CHART 17-11

Horizontal Shaft							
MODEL NUMBER		380700 to 385700	386700	290000/ 300000 350000/ 380000	540000/ 610000	580000	580000
Brand Name		Vanguard™	Vanguard™	Vanguard™	Vanguard™	Vanguard™	Vanguard™
Series Name		3854	3864	Gaseous - 3594, 3894	Big Block™ A/C Gas- eous 5432, 6132	3/LC Gaso- line	3/LC EFI
HP Rating		23 gross HP†	23 gross HP†		26-35 gross HP†		
Air Filter Assembly	Packaged Part Number	N/A, N/A	N/A, N/A	N/A	N/A	N/A	N/A
	Service Part Number	692519, 820263	692519, 820263	841359	841856	820263	820263
Air Filter Pre-Cleaner	Packaged Part Number	N/A, N/A	N/A, N/A	N/A	N/A	N/A	N/A
	Service Part Number	692520 (for 692519), N/A	692520 (for 692519), N/A	272490S	N/A	N/A	N/A
Platinum Spark Plug	Packaged Part Number	N/A	N/A	N/A	N/A	5066	5066
	Service Part Number	N/A	N/A	N/A	N/A	696202	696202
Standard Spark Plug	Packaged Part Number	N/A	N/A	N/A	N/A	5092	5092
	Service Part Number	792015	490155S	692051	797434	496018S	496018S
Fuel Filter	Packaged Part Number	N/A, 5065	5065	N/A	N/A	N/A	N/A
	Service Part Number	845125 691035	691035	N/A	N/A	821026	N/A
Oil Filter	Packaged Part Number	N/A	N/A	N/A	N/A	N/A	N/A
	Service Part Number	842921	842921	842921	842921	491056	491056
Oil	Packaged Part Number	100028	100028	100028	100028	100028	100028
Tune-up Kit	Packaged Part Number	5120	5120	5119	N/A	N/A	N/A
Fuel Stabilizer	Packaged Part Number	5442	5442	5442	5442	5442	5442

Reference

† All power levels are stated gross HP at 3600 rpm per SAE J1940.



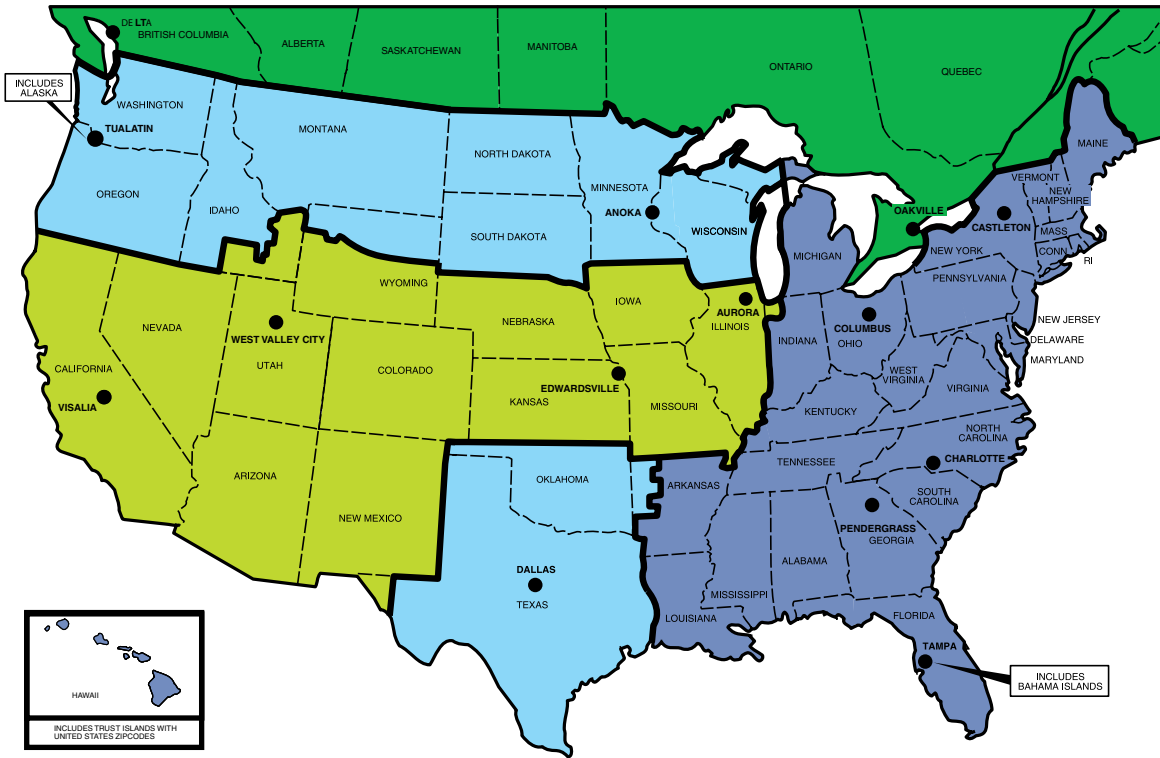
# 17-12 LITERATURE/REFERENCE MATERIALS

For possible exceptions, additional part numbers or information, please refer to Illustrated Parts Lists\*, Engine Sales Replacement Specifications MS-5568, Master Price List MS-7299 or Outdoor Cleaning with Pressure Washers 6037.

\*Available on ThePowerPortal.com free of charge

Part #	Literature
6037	<b>Outdoor Cleaning w/Pressure Washers:</b> 111 full color pages, step-by-step project guides, filled w/information to help you safely operate, properly maintain and effectively use your pressure washer, featuring Pat Simpson, Host of HGTV's Before and After. (Case of 6)
86262GS	<b>Portable Generator Familiarization &amp; Troubleshooting Guide</b>
190275GS	<b>Hand Held Generator Familiarity &amp; Troubleshooting Guide</b>
270962	<b>Single-Cylinder L-Head Engine Repair Manual:</b> 350 pages, "Our best seller" repair manual contains common specifications and detailed easy-to-follow instructions on how to adjust, tune up and repair most Briggs & Stratton 4-Cycle single cylinder L-head engines. Used by Authorized Briggs & Stratton Service Centers.
271172	<b>Twin-Cylinder L-Head Engine Repair Manual:</b> similar to 270962, except covers Briggs & Stratton L-head twin cylinder engines.
272144	<b>Vanguard™ Twin-Cylinder OHV Engine Repair Manual</b> for V-Twin overhead valve (OHV) engines. Model series 290400, 290700, 303400, 303700, 350400, 350700, 351400, 351700, 380400, 380700, etc.
272147	<b>Vanguard™ Single-Cylinder OHV Engine Repair Manual</b> for single cylinder overhead valve (OHV) engines.
273521	<b>Twin-Cylinder OHV Engine Repair Manual</b> for V-Twin overhead valve (OHV) engines. Model series 405700, 406700, 407700
275072	<b>Micro Engine Repair Manual</b>
275110	<b>5 HP Gasoline Outboard</b>
275429	<b>Vanguard™ 2-Cylinder Liquid-Cooled Manual</b>
277527	<b>700/750 Series™ DOV® Air-Cooled Engines</b>
276535	<b>2-Cycle Snow Engine Repair Manual</b>
276781	<b>Single Cylinder OHV Air-Cooled Engines</b>
B3277GS	<b>Pressure Washer Familiarization &amp; Troubleshooting Guide</b>
CE3086	<b>10KW &amp; 12KW Home Generator Systems:</b> Computer-Based Training Program
CE8006	<b>Service Tips &amp; Tools:</b> a collection of helpful service tips and tools from dealers to aid in servicing engines.
CE8020	<b>Small Engines Textbook:</b> 332 pages Hardbound, contains history of engine development, scientific principles of operation, troubleshooting, engine systems, engine applications, etc.
CE8034	<b>Major Engine Failure Analysis Booklet:</b> 47 pages, packed with color photos showing a variety of engine failures and how to properly analyze each as to what caused the failure.
CE8069	<b>Antique Repair Manual:</b> covers out of production engines built in years 1919-1981.
CE8155	<b>Small Engine and Equipment Maintenance Guide</b>
MP-5160	<b>The Legend of Briggs &amp; Stratton:</b> 208 pages, historical data, time lines, and classic photos which take you from 1908 to the present market place. This hard bound book is a must for every collector and enthusiast.
MS-0750	<b>Vanguard™ 3-Cylinder L/C Gasoline Manual</b>
MS-1055	<b>Vanguard™ 3-Cylinder L/C Diesel Manual</b>
MS-3489	<b>Tune It Up Maintenance Guide:</b> 24 per pack, for use with AM-9500 3-Tier Metal Engine Stand, pg. 17-1
MS-5146	<b>Engine Maintenance &amp; Tune-Up Guide:</b> 24 per pack, for use with AM-9500 3-Tier Metal Engine Stand, pg. 17-1
MS-5568	<b>Engine Sales Replacement Specifications</b>
MS-7299	<b>Master Price List</b>
MS-10391	<b>Advanced Formula Fuel Treatment &amp; Stabilizer Sell Sheet</b>
MS-10392	<b>Advanced Formula Fuel Treatment &amp; Stabilizer Tri-fold</b>

## IDN Network



Power Distributors
  Magneto Power
  MWE
  Power Source Canada

10/14

### POWER DISTRIBUTORS

**Atlantic Power**  
 20 Empire State Boulevard  
 Castleton, NY 12033  
**800-554-3336**

**Central Power**  
 3700 Paragon Drive  
 Columbus, OH 43228  
**800-554-3336**

**Central Power of Florida**  
 4751 Oak Fair Boulevard  
 Tampa, FL 33610  
**800-554-3336**

**Preferred Power**  
 6509-A Northpark Boulevard  
 Charlotte, NC 28216  
**800-554-3336**

**SEDCO**  
 225 Henry D. Robinson Boulevard  
 Pendergrass, GA 30567  
**800-554-3336**

### MAGNETO POWER, LLC

**Magneto Power, LLC (Minneapolis)**  
 3500 Thurston, Suite 200  
 Anoka, MN 55303  
**Craig Barczak 800-248-4016**

**Magneto Power, LLC of Texas**  
 11011 Regency Crest Drive, Suite 100  
 Dallas, TX 75238  
**Curt Lang 800-248-4016**

**Magneto Power, LLC "West" (Portland)**  
 9991 S.W. Avery Street  
 Tualatin, OR 97062  
**Mark Adams 800-248-4016**

### MIDWEST ENGINE WAREHOUSE

**Midwest Engine Warehouse-IL (Chicago)**  
 700 Enterprise Street  
 Aurora, IL 60504  
**Mike McCaleb 630-862-3102**

**Midwest Engine Warehouse-KS (KC)**  
 9630 Woodend Road  
 Edwardsville, KS 66111  
**Mike McCaleb 630-862-3102**

**Midwest Engine Warehouse-CA**  
 7101 W. Doe Avenue  
 Visalia, CA 93291  
**Mike McCaleb 630-862-3102**

**Midwest Engine Warehouse-UT (SLC)**  
 3626 Parkway Boulevard  
 West Valley City, UT 84120  
**Mike McCaleb 630-862-3102**

### POWER SOURCE CANADA, LTD

**Power Source Canada, LTD (Vancouver)**  
 300-1628 Derwent Way  
 Delta, BC V3M 6R9  
**Jack Bergman 604-520-1294**

**Power Source Canada, LTD (Toronto)**  
 2815 Bristol Circle, Unit 1  
 Oakville, ON L6H 6X5  
**Mike Gully 905-829-0006**

10/14

Reference





# CATALOG IMPROVEMENT FORM 17-15

In an effort to continually improve our literature and catalogs, we would appreciate a few moments of your time to complete this form and provide us with your suggestions and comments. When finished, fold it according to the directions on the back side and mail it back to us.

• Do you find this catalog easy to use? Yes\_\_\_\_ No\_\_\_\_

• What changes or additions would you like to see?

---

---

---

---

---

---

Please list any additional parts, tools or accessories you would like featured in this catalog.

<u>Part Number</u>	<u>Description</u>	<u>Part Number</u>	<u>Description</u>
_____	_____	_____	_____
_____	_____	_____	_____
_____	_____	_____	_____
_____	_____	_____	_____
_____	_____	_____	_____

Are you currently an Authorized Briggs & Stratton Dealer? Yes\_\_\_\_ No\_\_\_\_

If you are not an Authorized Briggs & Stratton Dealer, are you interested in becoming one? Yes\_\_\_\_ No\_\_\_\_

If yes, would you like to have a representative call you? Yes\_\_\_\_ No\_\_\_\_

Name\_\_\_\_\_

Address\_\_\_\_\_

City/State/Zip\_\_\_\_\_

Phone ( )\_\_\_\_\_

E-mail\_\_\_\_\_





**fold**

---

**Place  
Stamp  
Here**

**BRIGGS & STRATTON CORPORATION  
DISTRIBUTION SALES & CUSTOMER SUPPORT  
ATTN: GRAPHIC SERVICES  
P.O. BOX 702  
MILWAUKEE WI 53201-0702**

---

**fold**



MS-4185-10/14

BRIGGS & STRATTON CORPORATION

POST OFFICE BOX 702  
MILWAUKEE, WI 53201 USA  
414 259 5333

©2014 Briggs & Stratton Corporation



THE POWER WITHIN™