



Builder's Best, Inc.
 201 Broiles Drive
 Jacksonville, TX 75766
 903-586-8283
 fax: 903-586-9370
 www.BuilderBest.com

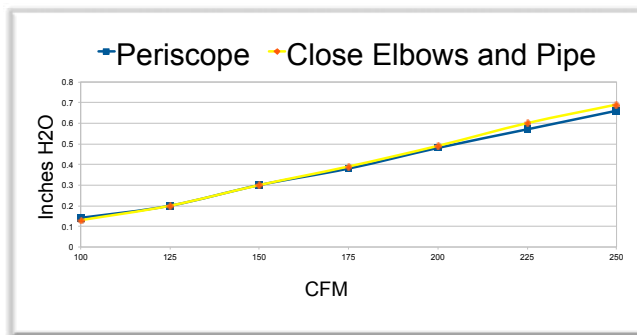
Close Elbow® 010108



Product Specifications

- Turns 90° within 4"
- One male rotating snap-lock™ fitting
- One female rotating snap-lock™ fitting
- Best choice for 90° turns, especially on the dryer.

Performance Data & Airflow

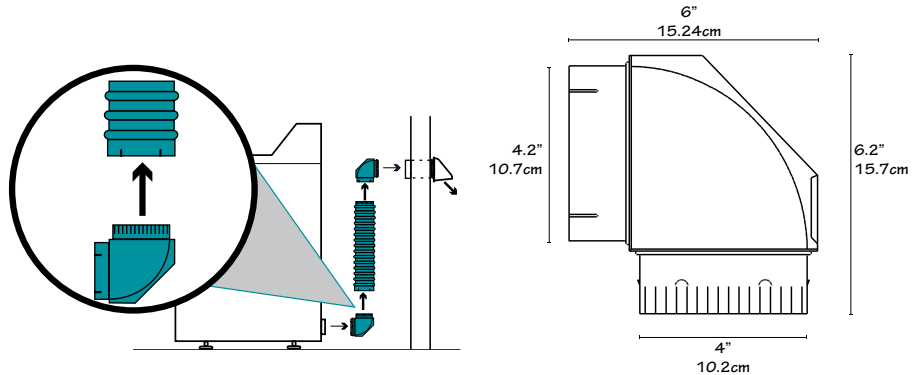


Part Numbers

Diameter	Part #	Qty	Package	UPC
4"	110161	6	Display Card	•
	010151	24	Display Card	•
	110108	24	bulk	

110108 includes one clamp.

Display Sample



Recommendations

The International Mechanical Code recommends rigid metal duct for dryer exhaust as well as in-wall exhaust. IMC 504.6.1 & 504.8-3

Dryer manufacturers specify "Only rigid or flexible metal vent shall be used for exhausting. Do not use plastic or metal foil vent."

Patents

Parts are covered by US patents: 5,121,948; 5,145,217; 5,133,579; 5,158,328; 5,498,204; 5,653,631; 5,819,435; 5,943,743; 6,035,495; 6,370,794; 6,390,510; D.335,174; D.342,130; D.342,782

Canadian patents 2,062,123; 2,063,098; 2,279,599; 2,299,989; 2,317,863; Builder's Best, Inc., © and/or patents pending. ©2014 all rights reserved

Warranty

Manufacturer assumes no responsibility for failure due to improper installation. All specifications and designs are subject to change without notice and without incurring liability.

WARRANTY EXCLUSION AND DISCLAIMER Seller specifically excludes, and hereby disclaims any express representation or express warranty of any kind with respect to the goods ordered hereunder. All implied warranties, including without limitation merchantability or fitness for a particular purpose or arising from a course of dealing or usage or trade shall expire and cease 45 days after date of delivery. Seller shall not be liable to buyer or any third party for any special, secondary, incidental, or consequential damages however arising. Nothing in this provision shall invalidate or restrict any right or remedy otherwise available under state or federal law. Materials and specifications subject to change without notice.

close elbow spec sheet 010108 V2 last update 1/30/14

Labels

