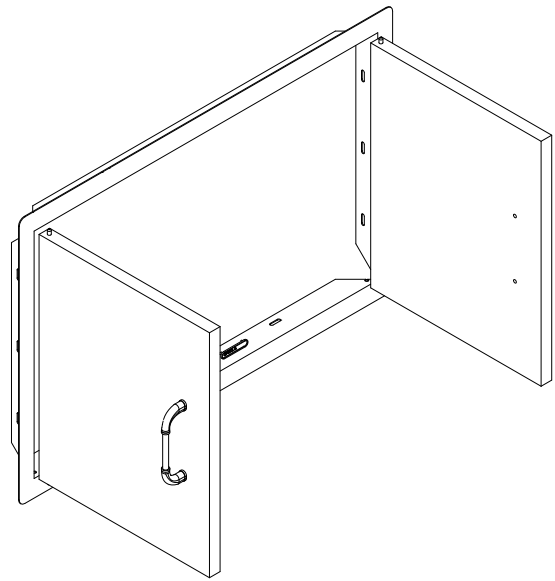




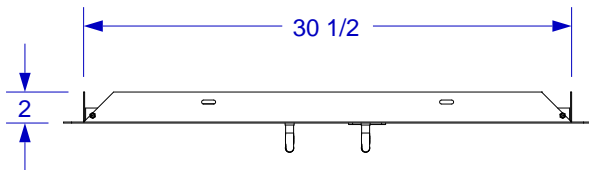
30" DOUBLE DOORS

SPEC SHEET

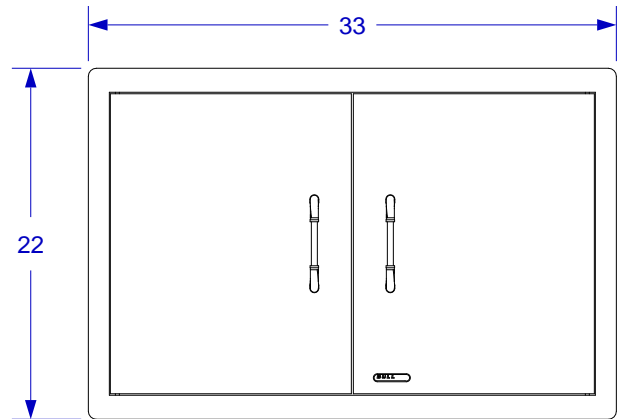
SKU #33568 S



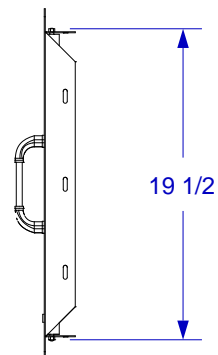
ISOMETRIC VIEW



TOP VIEW



FRONT VIEW



RIGHT SIDE VIEW

NOTES:

1. CUTOUT DIMENSIONS: 31"W X 20"H X 2 1/4"D

2. SCALE: 1" = 1'-0"

3. REVISION: 01/2016