

**IMPORTANT:**  
Read Before Using

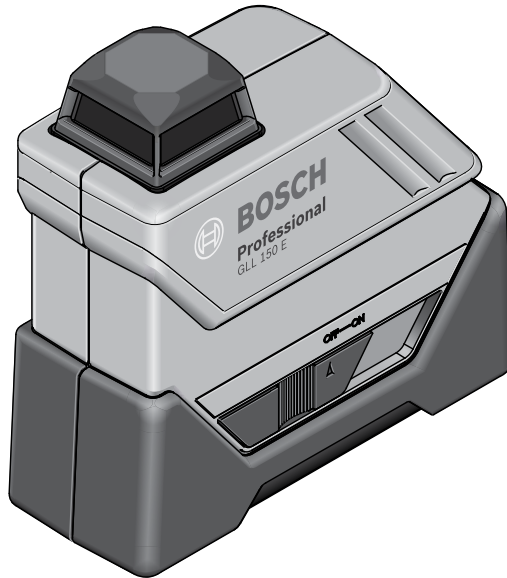
**IMPORTANT :**  
Lire avant usage

**IMPORTANTE:**  
Leer antes de usar



**Operating/Safety Instructions**  
**Consignes de fonctionnement/sécurité**  
**Instrucciones de funcionamiento y seguridad**

**GLL 150 E**  
**LR 3**



**BOSCH**

Call Toll Free for  
Consumer Information  
& Service Locations

Pour obtenir des informations  
et les adresses de nos centres  
de service après-vente, appelez  
ce numéro gratuit

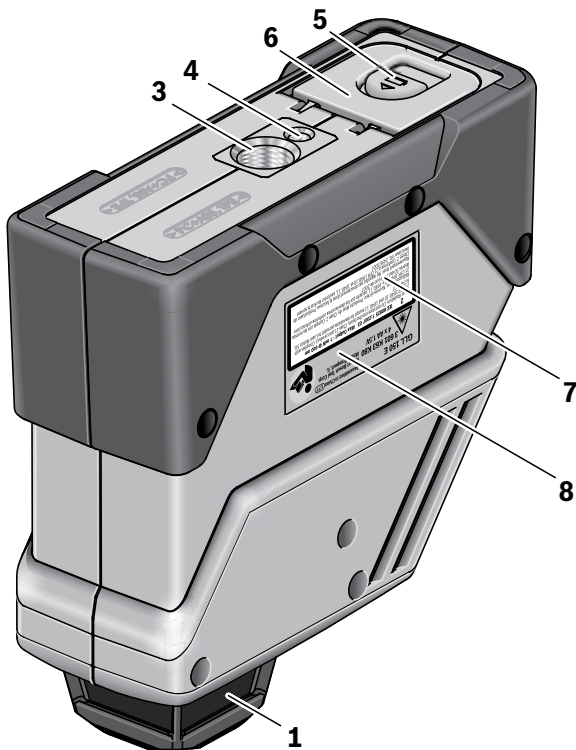
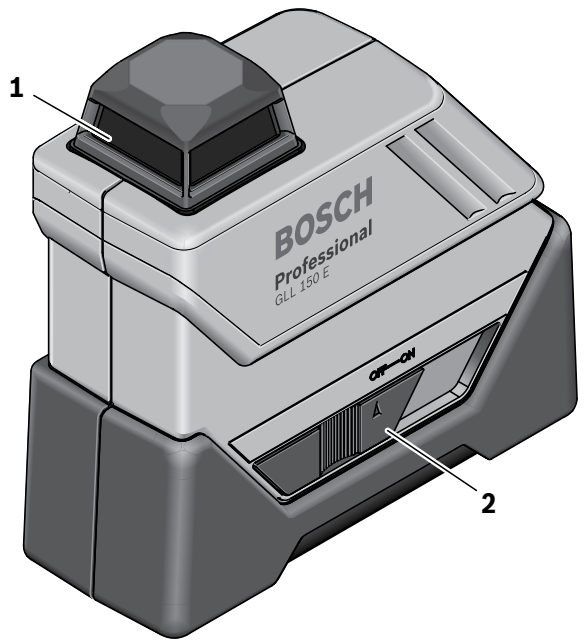
Llame gratis para  
obtener información  
para el consumidor y  
ubicaciones de servicio

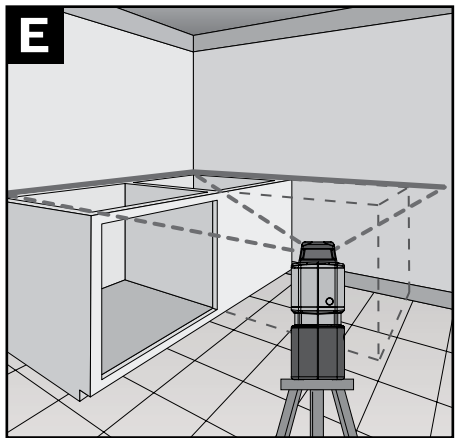
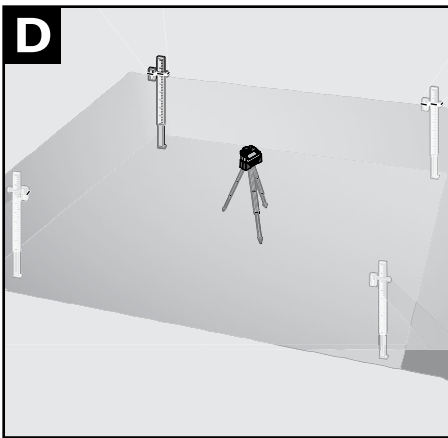
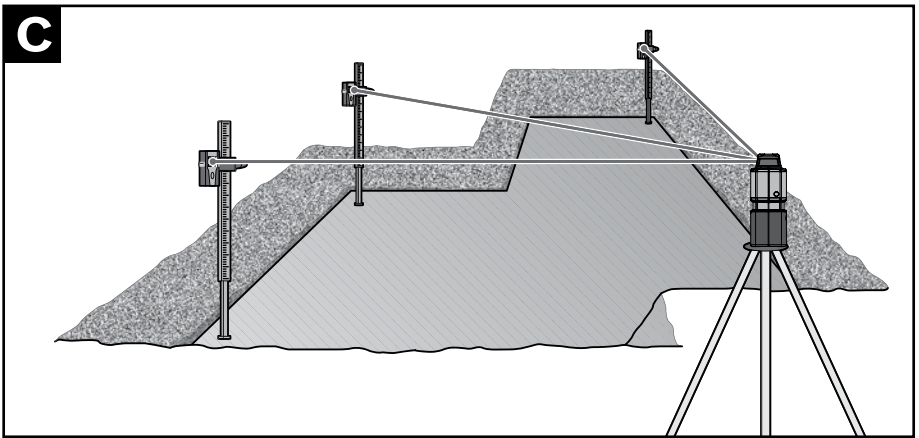
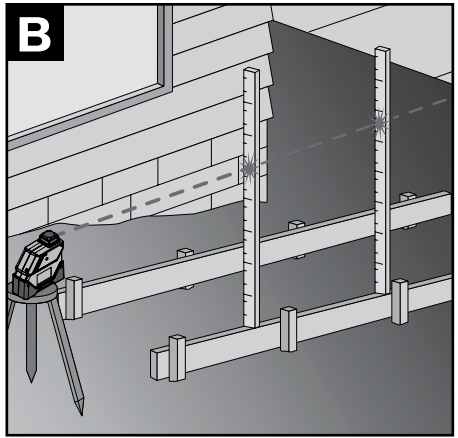
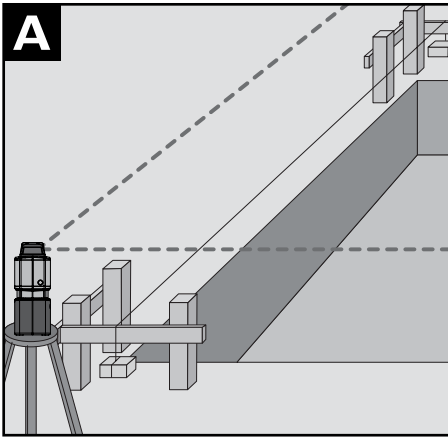
**1-877-BOSCH99 (1-877-267-2499) [www.boschtools.com](http://www.boschtools.com)**

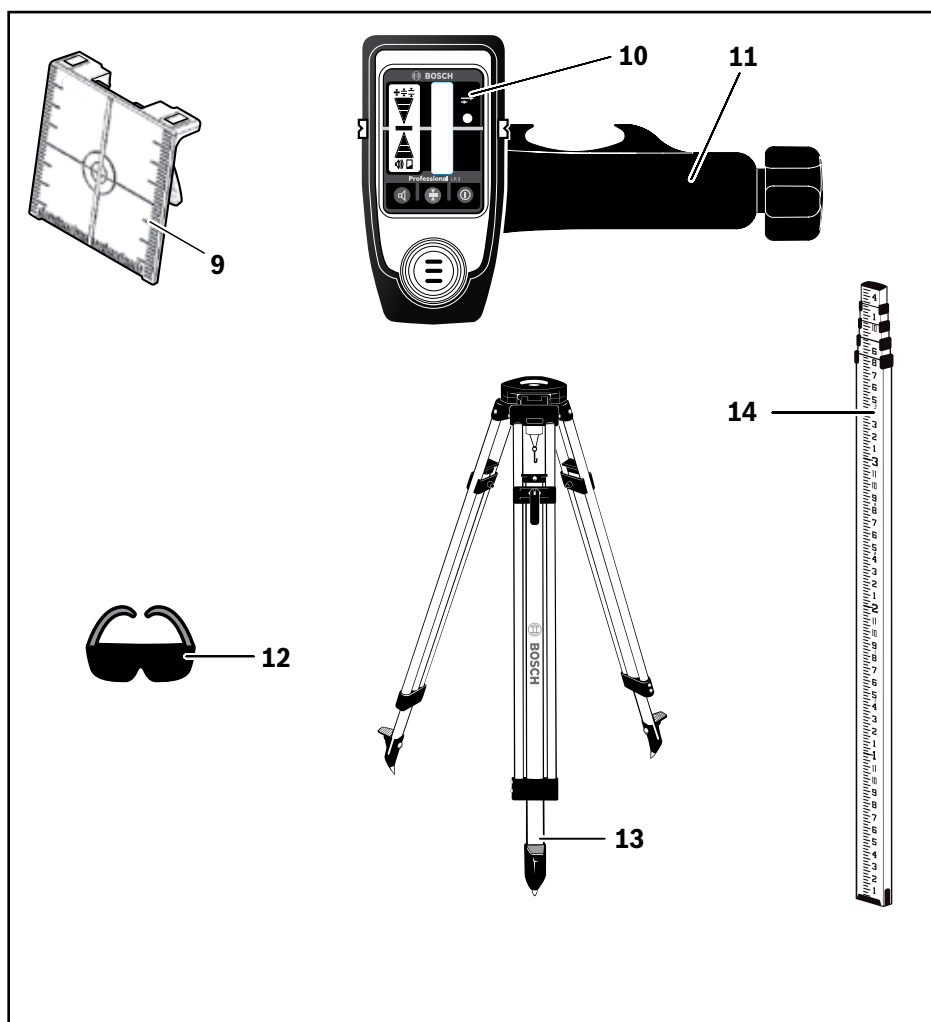
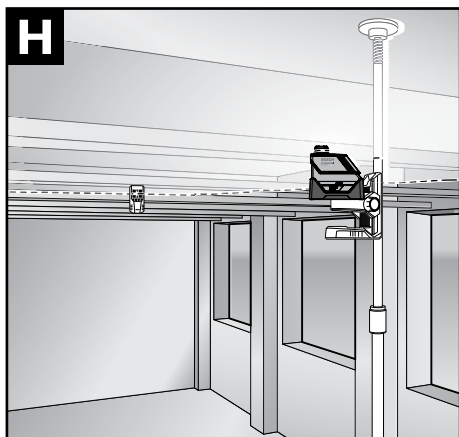
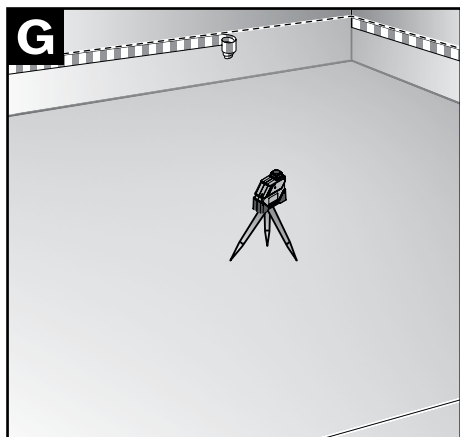
For English Version  
See page 6

Version française  
Voir page 17

Versión en español  
Ver la página 31







# General Safety Rules

**WARNING** Read all instructions. Failure to follow all instructions listed below may result in hazardous radiation exposure, electric shock, fire and/or serious injury. The term “tool” in all of the warnings listed below refers to your mains-operated (corded) tool or battery-operated (cordless) tool.

The following labels are on your laser tool for your convenience and safety. They indicate where the laser light is emitted by the tool. ALWAYS BE AWARE of their location when using the tool.



**DO NOT direct the laser beam at persons or animals and do not stare into the laser beam yourself.** This tool produces laser class 2 laser radiation and complies with 21 CFR 1040.10 and 1040.11 except for deviations pursuant to Laser Notice No. 50, dated June 24, 2007. This can lead to persons being blinded.

**DO NOT remove or deface any warning or caution labels.** Removing labels increases the risk of exposure to laser radiation.

Use of controls or adjustments or performance of procedures other than those specified in this manual, may result in hazardous radiation exposure.

**ALWAYS make sure that any bystanders in the vicinity of use are made aware of the dangers of looking directly into the laser tool.**

**DO NOT place the laser tool in a position that may cause anyone to stare into the laser beam intentionally or unintentionally.** Serious eye injury could result.

**ALWAYS position the laser tool securely.** Damage to the laser tool and/or serious injury to the user could result if the laser tool falls.

**ALWAYS use only the accessories that are recommended by the manufacturer of your laser tool.** Use of accessories that have been designed for use with other laser tools could result in serious injury or unsatisfactory performance.

**DO NOT use this laser tool for any purpose other than those outlined in this manual.** This could result in serious injury or unsatisfactory performance.

**DO NOT leave the laser tool “ON” unattended in any operating mode.**

**DO NOT disassemble the laser tool. There are no user serviceable parts inside. Do not modify the product in any way.** Modifying the laser tool may result in hazardous laser radiation exposure.

## Work area safety

**Keep work area clean and well lit.** Cluttered or dark areas invite accidents.

**DO NOT operate the laser tool around children or allow children to operate the laser tool.** Serious eye injury could result.

**DO NOT use measuring tools, attachments and accessories outdoors when lightning conditions are present.**

## Electrical safety

**Batteries can explode or leak, cause injury or fire. To reduce this risk, always follow all**

GLL 150 E



3 601 K63 K80  
4 x AA 1.5V

Assembled in China (177)  
Robert Bosch Tool Corp.  
Mount Prospect, IL



**2** IEC 60825-1:2007-03 Max Output <1 mW @ 640 nm  
Laser Radiation. Do not stare into the beam. Class 2 Laser product. Complies with 21 CFR 1040.10 and 1040.11 except for deviations pursuant to Laser Notice 50, 6/24/2007  
Radiación Láser. No mire al rayo. Producto láser de Clase 2. Cumple con las normas 21 CFR 1040.10 y 1040.11, excepto por las desviaciones conforme al Aviso para Láseres 50 del 24 de julio de 2007.  
Rayonnement Laser. Ne regardez pas directement dans le faisceau. Produit laser de Classe 2. Conforme à 21 CFR 1040.10 et 1040.11, sauf pour les écarts suivant l'Avis laser 50, 24/6/2007

**instructions and warnings on the battery label and package.**

**Remove the batteries from the tool when not using it for extended periods.** When storing for extended periods, the batteries can corrode and discharge themselves.

**DO NOT short any battery terminals.**

**DO NOT charge alkaline batteries.**

**DO NOT mix old and new batteries.**

**SAVE THESE INSTRUCTIONS**

**Replace all old batteries at the same time with new batteries of the same brand and type.**

**DO NOT mix battery chemistries.**

**Dispose of or recycle batteries per local code.**

**DO NOT dispose of batteries in fire.**

**Keep batteries out of reach of children.**

## Personal safety

**Stay alert, watch what you are doing and use common sense when operating a tool.**

**Do not use a tool while you are tired or under the influence of drugs, alcohol or medication.** A moment of inattention while operating a tool may result in serious personal injury or incorrect measurement results.

**Use safety equipment. Always wear eye protection.** Safety equipment such as dust mask, non-skid safety shoes, hard hat, or hearing protection used for appropriate conditions will reduce personal injuries.

**DO NOT use the laser viewing glasses as safety goggles.** The laser viewing glasses are used for improved visualization of the laser beam, but they do not protect against laser radiation.

**DO NOT use the laser viewing glasses as sun glasses or in traffic.** The laser viewing glasses do not afford complete UV protection and reduce color perception.

**DO NOT use any optical tools such as, but not limited to, telescopes or transits to view the laser beam.** Serious eye injury could result.

**DO NOT stare directly at the laser beam or project the laser beam directly into the eyes of others.** Serious eye injury could result.

**Use caution when using measuring tools in the vicinity of electrical hazards.**

## Magnets



**Keep the tool and laser target away from cardiac pacemakers.** The magnets of the tool and laser target plate generate a field that can impair the function of cardiac pacemakers.

**Keep the tool and laser target away from magnetic data medium and magnetically-sensitive equipment.**

The effect of the magnets of the tool and laser target plate can lead to irreversible data loss.

## Noise Information

**Do not hold the measuring tool close to your ear! Do not hold the measuring tool closer than 1 meter from your ear when using loud volume!** The A-weighted sound pressure level of the audio signal at one meter distance is 75-85dB(A). Serious injury could result.

## Use and care

**Use the correct tool for your application.** The correct tool will do the job better and safer.

**Do not use the tool if the switch does not turn it on and off.** Any tool that cannot be controlled with the switch is dangerous and must be repaired.

**Store idle tool out of the reach of children and do not allow persons unfamiliar with the tool or these instructions to operate the tool.** Tools are dangerous in the hands of untrained users.

**Maintain tools. Check for misalignment or binding of moving parts, breakage of parts and any other condition that may affect the operation. If damaged, repair tool before use.** Many accidents are caused by poorly maintained tools.

**Use the tool, accessories, etc., in accordance with these instructions and in the manner intended for the particular type of tool, taking into account the working conditions and the work to be performed.** Use of the tool for operations different from those intended could result in a hazardous situation.

## Service

**Have your tool serviced by a qualified repair person using only identical replacement parts.** This will ensure that the safety of the tool is maintained.

**Develop a periodic maintenance schedule for tool.**

**Follow checking recalibration procedures outlined in this instruction manual.**

**When cleaning a tool be careful not to disassemble any portion of the tool since internal wires may be misplaced or pinched or may be improperly mounted.** Certain cleaning agents such as gasoline, carbon tetrachloride, ammonia, etc. may damage plastic parts. agents such as gasoline, carbon tetrachloride, ammonia, etc. may damage plastic parts.

**SAVE THESE INSTRUCTIONS.**

## Intended Use

The tool is intended for determining and checking level.

## Preparation

### Inserting/Replacing the Battery

**⚠ WARNING** Always replace all batteries at the same time. Only use batteries from one brand and with the identical capacity.

Remove the batteries from the tool when not using it for extended periods. When storing for extended periods, the batteries can corrode and discharge themselves.

Alkaline batteries are recommended for the tool.

To open the battery compartment **6**, slide the latch **5** in the direction of the arrow and fold the battery lid up. Insert the batteries.

When inserting, pay attention to the correct polarity according to the representation on the inside of the battery lid.

The batteries become weak, at approximately 6 hours battery life remaining. Flashing Laser – (ON 0.2 secs and OFF 0.2 secs for a 30 second period then ON until battery is exhausted, repeats on initial startup).

## Features

The numbering of the product features shown refers to the illustration of the tool on the graphic page.

- 1 Exit opening for laser beam
- 2 On/Off switch
- 3 Tripod mount 5/8"-11
- 4 Tripod mount 1/4"-20
- 5 Latch of battery lid
- 6 Battery lid
- 7 Laser warning label

- 8 Serial number
- 9 Laser target plate\*
- 10 Laser receiver (LR 3)
- 11 Rod clamp
- 12 Laser viewing glasses\*
- 13 Tripod (BT 152)
- 14 Leveling rod (GR 8 C)

\* The accessories illustrated or described are not included as standard delivery.

## Technical Data

Range Radius X-Axis	3 ft to 196 ft (1 m to 60 m) X Axis (standard range mode on the LR 3)
Range Radius Y-Axis	3 ft to 65 ft (1 m to 20 m) Y Axis (standard range mode on the LR 3)
Range Radius X-Axis	66 ft to 260 ft (20 m to 80 m) X Axis (long range mode on the LR 3)
Range Radius Y-Axis	66 ft to 260 ft (20 m to 80 m) Y Axis (long range mode on the LR 3)
Self Leveling Range (typically)	± 4 degrees
Out of Level Warning	Flashing Laser (ON 3.0 secs, OFF 0.5 secs)
Manual Leveling Base	Not required
Slope Off Level Operation	Yes

Pendulum Transport Lock	Yes
Low Battery Warning	At approximately 6 hours battery life remaining. Flashing Laser – (ON 0.2 secs and OFF 0.2 secs for a 30 second period then ON until battery is exhausted, repeats on initial startup)
Mount	1/4-20 and 5/8-11
Auto Shutoff	15 min. if not level, none if level
Calibration	Local service via 2 service ports on product
IP Rating	IP55
Battery Type	4 x AA cell Alkaline
Battery Life	50 hours
Safety Class	2
Laser Diode	635 nm
Beam Width	0.2 in @ 33 ft (5 mm @ 10 m), 100 lux, 68° F to -13° F (20° C to -25° C)
Operating Temperature	14° F to 122° F (-10° C to 50° C)
Level Accuracy	± 3/16 in @ 100 ft (± 4.5 mm @ 30 m)
OOL Accuracy	± 1/8 in @ 33 ft (± 3.0 mm @ 10 m)
Accessories	Laser Detector w/bracket, Case
Remote Control	N/A
Type	Cone

1) The working range can be decreased by unfavorable environmental conditions (e.g. direct sun irradiation).

Please observe the article number on the type

plate of your tool. The trade names of the individual tools may vary.

The tool can be clearly identified with the serial number **8** on the type plate.

## Operation

### Initial Operation

An accuracy check should always be carried out before use.

**⚠ WARNING** Protect the tool against moisture and direct sun light.

**Do not subject the tool to extreme temperatures or variations in temperature. As an example, do not leave it in vehicles for longer periods. In case of large variations in temperature, allow the tool to adjust to the ambient temperature before putting it into**

**operation.** In case of extreme temperatures or variations in temperature, the accuracy of the tool can be impaired.

**Avoid heavy impact or dropping of the tool.** After heavy exterior impact on the tool, an accuracy check should always be carried out before continuing to work (see “Leveling Accuracy”).

**Switch the tool off during transport.** When switching off, the leveling unit, which can be damaged in case of intense movement, is locked.



## Switching On and Off

To **switch on** the tool, slide the On/Off switch **2** to the “on”. position. Immediately after switching on, the tool sends laser beams out of the exit opening **1**.

**⚠ CAUTION** **Align arrow of ON-OFF switch directly below**

**ON position.** If ON -OFF switch is not fully engaged, self-leveling feature is not activated and laser line will be out of level.

To **switch off** the tool, slide the On/Off switch **2** to the “off” position. When switching off, the leveling unit is locked.

**⚠ WARNING** **Do not point the laser beam at persons or animals and do not look into the laser beam yourself, not even from a large distance.**

**Do not leave the switched on tool unattended and switch the tool off after use.**

## Operating Modes

The tool has one operating mode:

- Horizontal operation: generates a pulsed horizontal laser plane.

After switching on, the tool is in horizontal operation.

### Pulse Function

To work with the laser receiver **10**, the pulse function is always activated.

With the pulse function, the laser lines flash at very high frequency and thus become detectable by the laser receiver **10**.

## Automatic Leveling

### Working with Automatic Leveling

Position the tool on a level and firm support, by attaching it to the tripod **13**.

Push the On/Off switch **2** to the “on” position.

After switching on, the leveling function automatically compensates irregularities within the self-leveling range of  $\pm 4^\circ$ . The leveling is finished as soon as the laser beams do not move any more.

If automatic leveling is not possible, e.g. because the surface on which the tool stands deviates by more than  $4^\circ$  from the horizontal plane, the laser lines begin to flash rapidly.

Set up the tool in level position and wait for the self-leveling to take place. As soon as the tool is within the self-leveling range of  $\pm 4^\circ$ , the laser beam lights up continuously.

In case of ground vibrations or position changes during operation, the tool is automatically re-leveled. To avoid errors, check the position of the horizontal laser line with regard to the reference point upon releveling.

## Working without Automatic Leveling

Place the unit so that it cannot self-level. When automatic leveling is switched off, the laser will flash for the first 30 s until it turns into a solid line.

When the automatic leveling is switched off, the tool can be held by hand or placed on an inclined surface. In cross-line operation, the do not necessarily run at a right angle to each other.

## Working Advice

**⚠ CAUTION** **Always use the center of the laser beam for marking.**

The size of the laser point changes with the distance.

## Leveling Accuracy

### Influences on Accuracy

The ambient temperature has the greatest influence. Especially temperature differences occurring from the ground upward can divert the laser beam.

Because the largest difference in temperature layers is close to the ground, the tool should always be mounted on a tripod when distances exceeding 65 ft (20 m). If possible, also set up the tool in the center of the work area.

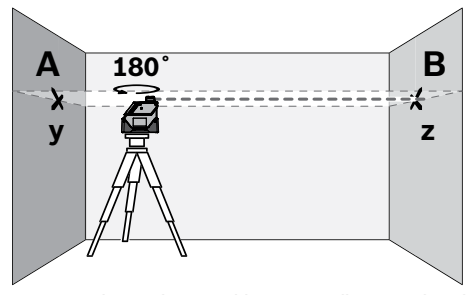
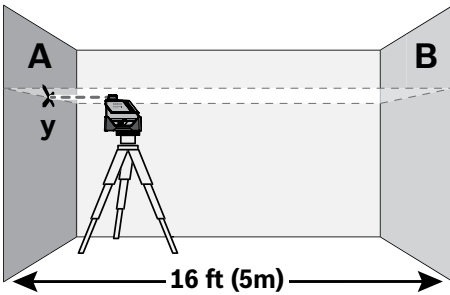
Apart from exterior influences, device-specific

influences (such as heavy impact or falling down) can lead to deviations. Therefore, check the accuracy of the tool each time before starting your work.

Should the tool exceed the maximum deviation during one of the tests, please have it repaired by a Bosch after-sales service.

### Checking the Horizontal Leveling Accuracy.

A free measuring distance of 16 ft (5 m) on a firm surface in front of two walls A and B is required for the check.



- Mount the tool onto a tripod, or place it on a firm and level surface close to the wall A. Switch the tool on.
- Direct the laser against the close wall A and allow the tool to level in. Mark a point on both walls where the laser indicates (point y). Mark the center of the laser beam on the wall (at point y and point z).

- Turn the tool around by 180°, allow it to level in. The laser line should indicate the same point within product specification tolerances.

## Use with Attachments

### Working with the laser target plate

The laser target plate **9** increases the visibility of the laser beam under unfavourable conditions and at large distances.

The reflective part of the laser target plate **9** improves the visibility of the laser line. Due to transparency, the laser line is also visible from the back side of the laser target plate.

### Working with the Tripod (Optional Accessory)

A tripod offers a stable, height-adjustable measuring support. Position the tool with either the 1/4-20 tripod mount **4** onto the thread of a commercially available camera tripod or the preferred method is to mount to a construction tripod, use the 5/8-11 tripod mount **3**. Tighten the tool with the tripod mounting stud.

### Laser Viewing Glasses (Optional Accessory)

The laser viewing glasses filter out the ambient light. This makes the red light of the laser appear brighter for the eyes.

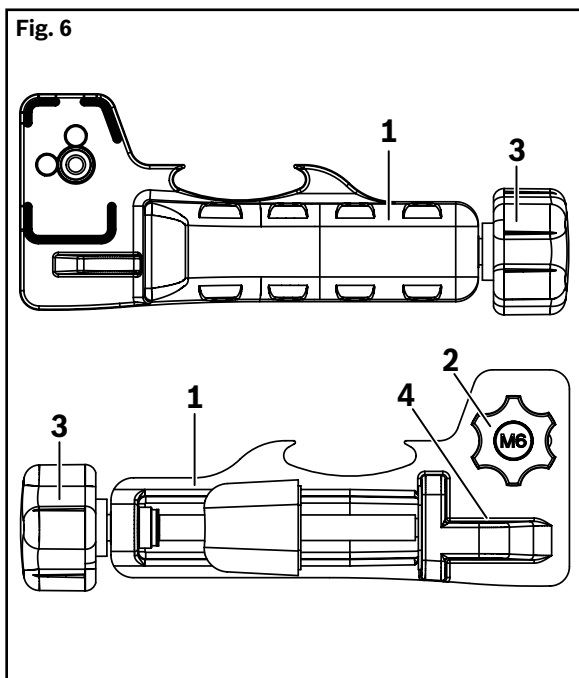
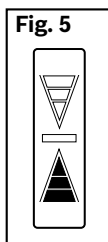
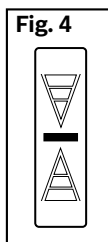
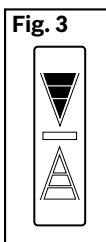
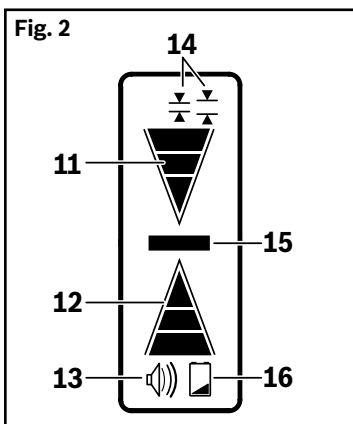
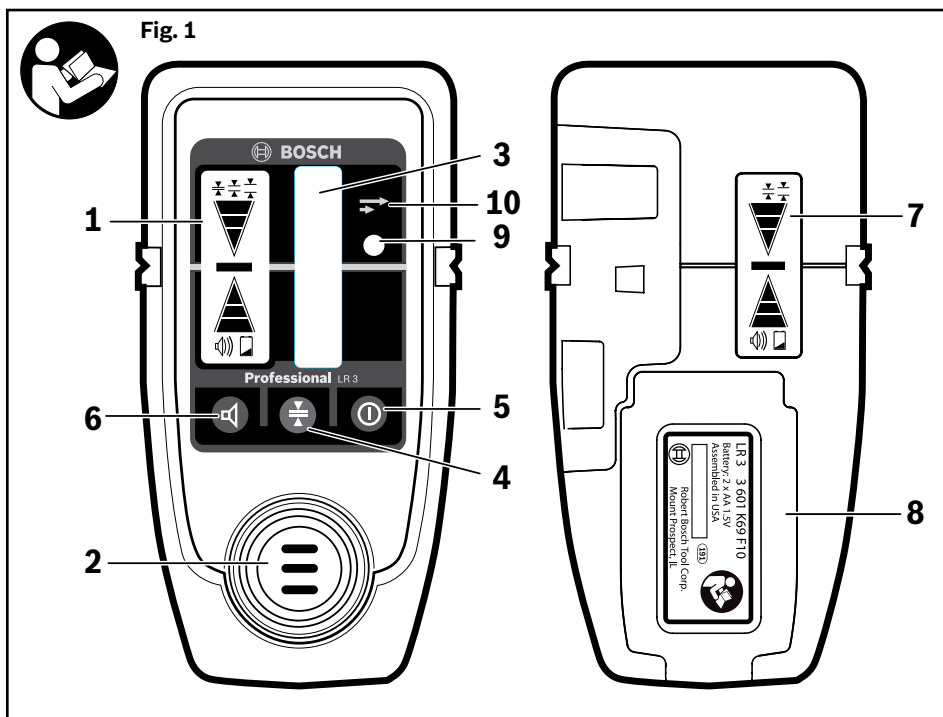
**⚠ WARNING** Do not use the laser viewing glasses as safety goggles. The laser viewing glasses are used for improved visualization of the laser beam, but they do not protect against laser radiation.

**Do not use the laser viewing glasses as sun glasses or in traffic.** The laser viewing glasses do not afford complete UV protection and reduce color perception.

### Work Examples (see figures A–H)

Applicational examples for the tool can be found on the graphics pages.

# LR 3 Laser Line Detector



## Introduction

The Bosch Electronic Laser Line Detector aids in locating and targeting a visible or invisible beam emitted by a Pulsed Line laser; perfect for use in outdoor conditions, where sunlight and distance may make locating the beam more difficult. The laser detector includes a rod clamp which allows to mount the detector onto square, round or oval sighting rods.

## LR 3 Features

The numbering of the product features shown refers to the illustration of the tool on the graphic page 11 (**Fig. 1**).

- 1 LCD readout window
- 2 Speaker
- 3 Beam capture window
- 4 Bandwidth Resolution Selection
- 5 Power ON/OFF
- 6 Volume OFF/SOFT/LOUD
- 7 Rear LCD readout window
- 8 Battery door
- 9 Range Extender Indicator LED
- 10 Range Extender Feature Button

### LCD Display (**Fig. 2**)

- 11 Top Arrow
- 12 Bottom Arrow
- 13 Speaker Volume
- 14 Bandwidth Resolution Indicators

- 15 Level Beam
- 16 Low Battery Indicator

### Power

Two AA batteries will provide up to 30 hours continuous use. When the instrument is turned on and the low battery symbol remains lit, the battery should be replaced.

### Installing and Removing Batteries

To replace batteries, detach the rod clamp (**fig. 6 #1**) from the detector by turning the knob (**fig. 6 #2**) on the rod clamp. Open the battery door (**fig. 1 #8**) by pulling latch.

Install batteries with correct polarity as indicated in **Figure 1**. Close the battery door and engage the latch.

## LR 3 Operation

- To attach the rod clamp (**fig. 6 #1**) to the detector, align projections on the rod clamp with corresponding recess on the back of the detector, and tighten the knob (**fig. 6 #2**). To detach rod clamp (**fig. 6 #1**) from the detector, unscrew the knob (**fig. 6 #2**) completely.
  - To attach the rod clamp (**fig. 6 #1**) to leveling rod 14, loosen the knob (**fig. 6 #3**) on the rod clamp (**fig. 6 #1**), slide the rod clamp on the leveling rod **14** to the desired location, and tighten the knob (**fig. 6 #3**). Spirit level (**fig. 6 #4**) can be used to approximately level the leveling rod. Adjust position of leveling rod until bubble in spirit level (**fig. 6 #4**) is within the circle.
- ⚠ WARNING** **Wear eye protection. If Spirit Level leaks, soak up with appropriate absorbent material and dispose of safely.** Spirit Level contains flammable liquid that may cause respiratory tract, eye and skin irritation.
- Turn on the instrument by pressing the ON/OFF button on the keypad. The LCD symbols will momentarily be lit and the unit will beep once. The Coarse bandwidth indicator and soft volume indicator will remain lit.
  - Expose the beam capture window of the laser detector towards the direction of the pulsed laser line.
  - Slowly move the laser detector in an upward and downward direction until the LCD beam indicator arrows appear and/or a pulsing audio signal is heard. Use the Bandwidth Resolution Selection feature to choose between the Fine/Coarse setting. Coarse resolution setting is for approximating level or for initial locating of the center level point. Fine resolution setting is used for most accurate pin pointing of level.
  - Move the detector upward when the bottom arrow icon is lit (**fig. 5**) (with volume on, a slow pulsing audio tone is heard). Move the detector downward when the top arrow icon is lit (**fig. 3**) (with volume on, a rapid pulsing audio tone is heard). When the line is level, the level laser line indicator will be lit (**fig. 4**) (with volume on, a rapid audio tone will be heard).

If the detector is not struck by a laser beam after 4-6 minutes, the detector will automatically shut itself off to preserve battery life. Turn the instrument back on using the power button.

**Note:** The detector will only work when the instrument is in pulse mode.  
The GLL 150 E always starts in pulse mode.

The design of the LR 3 detector is an innovation to the market. Detector can be switched between standard and long range modes enabling extended distance capabilities for the GLL 150 E and reducing the issue with “scatter” associated with close in use of line lasers.

When used with the GLL 150 E exterior laser the LR 3 receiver enables the instrument to be used in a work area up to 530 feet (160 m) in diameter. In standard mode the GLL 150 E and LR 3 combination will have the elliptical pattern typical of cone lasers with a maximum range radius of 196 feet (60 m) and a minimum range of 65 feet (20 m) along the Y-Axis, long range mode enables an 265 feet (80 m) circular radius working area.

The area designated by the **DASHED** circle is the work area in **LONG RANGE MODE**.

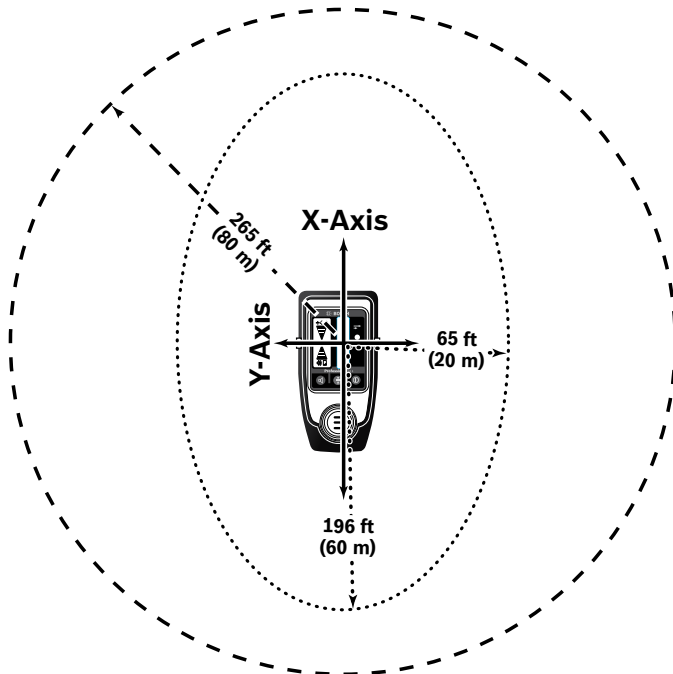
The area designated by the **DOTTED** ellipsoid is the work area in **STANDARD RANGE MODE**.

### Extended Range Function

The LR 3 receiver defaults to and should be used in its standard operating mode for most leveling projects. If the operator is having difficulty receiving a reading at extended distances indicated by difficulty in locating the center bar (greater than 20 meters or 65 ft) then the extended range button (**fig. 1 #10**) on the detector can be pressed and the LED will be illuminated (**fig. 1 #9**).

### Close Proximity Use

When using the LR 3 in close proximity to the laser (3ft to 15ft) care must be taken due to the high sensitivity of the LR 3 and the scatter from the cone, glass, dust on glass, and surrounding objects. Close proximity detection should be validated against reflections and scatter by ensuring that both the directional arrows are on either side of the center bar (**see fig 3 thru 5**). This can be done by moving the LR 3 up and down relative to the center bar to locate the arrows. Do not use the detector closer than 3 ft from the laser.



## LR 3 Special Features

The laser detectors have built in electronic filtering for bright sunlight and electromagnetic interference. Three distinct audio patterns (high, on-grade, and low) assist targeting from a distance.

The detector LR 3 has three speaker selections (Off, Soft (~75 dB) and Loud (~85 dB)), measured at 1 meter.

### Audio Volume Control

Pressing the volume button (**fig. 1 #6**) causes the unit to cycle through volume off, soft

volume, loud volume. After each press, the speaker will beep once to acknowledge the button press then beep again to demonstrate the volume level. When the volume is off or soft selected, there will be one short beep. When the volume is loud, there will be a loud beep.

The LCD display of the detector LR 3 has three distinct channels of information, indicating the position of the detector in the plane of laser light.

## Care of Your Laser Detector

This instrument is gasket sealed for water and dust protection. Use a soft, dry cloth to remove any dirt or moisture from the instrument before storage. Do not use benzene, paint thinner, or other solvents to clean the instrument. Remove battery before long-term storage of the instrument.

## LR 3 Technical Data

**Note:** Sensitivity values based on standard conditions with most lasers; may vary slightly due to make, manufacturer, beam size, or working conditions.

<p>Range</p> <p>In standard range mode</p> <p>In long range mode</p>	<p>3 to 590 ft (1 to 180 m maximum) dependent on laser source, laser orientation and selected LR 3 range.</p> <p>the minimum operating distance is 3 ft (1m), the maximum operating distance is up to 196 ft (60 m) to GLL 150 E in 0 &amp; 180 degree orientations (X-Axis) up to 65 ft (20 m) to GLL 150 E in 90 &amp; 270 degree orientations (Y-Axis)</p> <p>the minimum operating distance is 65 ft (20 m), the maximum operating distance is at least 265 ft (80 m) to GLL 150 E in all orientations</p> <p>The LR 3 powers on in standard range mode.</p>
<p>Accuracy</p> <p>In standard range mode</p> <p>In long range mode</p>	<p>Fine &lt;= 0.05-in (1.5mm) up to 65 ft (20 m) selectable Coarse &lt;= 0.10-in (3.0mm) up to 65 ft (20 m) selectable</p> <p>Fine &lt;= 0.05" (1.5mm) up to 196 ft (60m) selectable Coarse &lt;= 0.10" (3.0mm) up to 196 ft(60m) selectable</p> <p>Fine and Coarse modes are switch pad selectable.</p>

Bright Light	Can achieve 265 ft (80 m) in 0 degree orientation (X-Axis) to GLL 150 E providing direct sunlight does not fall on the detector window, < 35kLux.
Florescent Light	No false detects at any distance from a florescent light or strobes.
Receive Angle	±30 degrees
Buzzer Volume	Between 75 dB(A) and 85 dB(A) at 3 ft (1m)
Readout:	LCD, front and rear windows. Bright green LED on switch pad to indicate long range mode. Buzzer gives audible indication of detection and switch pad operation. Buzzer volume and feature is switch pad selectable.
Auto Shutoff	5 minutes after last detect or press button. Buzzer beeps once on power off.
Battery Type	2 x AA alkaline cells
Battery Life	>30 hours of continuous operation
Low Battery Warning	Indicator on LCD. At least 3 hours of low battery warning.
IP Rating	IP55
Bracket Mount	M6
Operating Temperature	14° F to 122° F (-10° C to 50° C)
Dimensions	6.6" H x 3" W x 1" D (169mm x 76mm x 25mm)

Subject to change without notice.

## Maintenance and Service

**⚠ WARNING** Store and transport the tool only in the supplied protective case.

Keep the tool clean at all times.

Do not immerse the tool into water or other fluids.

Wipe off debris using a moist and soft cloth. Do not use any cleaning agents or solvents.

Regularly clean the surfaces at the exit opening of the laser in particular, and pay attention to any fluff of fibers.

If the tool should fail despite the care taken in manufacturing and testing procedures, repair should be carried out by an authorized after-sales service center for Bosch power tools.

In all correspondence and spare parts orders, please always include the 10-digit article number given on the type plate of the tool.

In case of repairs, send in the tool packed in its protective case.

### ENVIRONMENT PROTECTION

Recycle raw materials & batteries instead of disposing of waste. The unit, accessories, packaging & used batteries should be sorted for environmentally friendly recycling in accordance with the latest regulations.



## LIMITED WARRANTY OF BOSCH LASER AND MEASURING TOOL PRODUCTS

Robert Bosch Tool Corporation ("Seller") warrants to the original purchaser only, that all Bosch lasers and measuring tools will be free from defects in material or workmanship for a period of one (1) year from date of purchase. Bosch will extend warranty coverage to two (2) years when you register your product within eight (8) weeks after date of purchase. Product registration card must be complete and mailed to Bosch (postmarked within eight weeks after date of purchase), or you may register on-line at [www.boschtools.com/Service/ProductRegistration](http://www.boschtools.com/Service/ProductRegistration). If you choose not to register your product, a one (1) year limited warranty will apply to your product.

### 30 Day Money Back Refund or Replacement -

If you are not completely satisfied with the performance of your laser and measuring tools, for any reason, you can return it to your Bosch dealer within 30 days of the date of purchase for a full refund or replacement. To obtain this 30-Day Refund or Replacement, your return must be accompanied by the original receipt for purchase of the laser or optical instrument product. A maximum of 2 returns per customer will be permitted.

SELLER'S SOLE OBLIGATION AND YOUR EXCLUSIVE REMEDY under this Limited Warranty and, to the extent permitted by law, any warranty or condition implied by law, shall be the repair or replacement of parts, without charge, which are defective in material or workmanship and which have not been misused, carelessly handled, or misrepaired by persons other than Seller or Authorized Service Center. To make a claim under this Limited Warranty, you must return the complete Bosch laser or measuring tool, transportation prepaid, to any BOSCH Factory Service Center or Authorized Service Center. Please include a dated proof of purchase with your tool. For locations of nearby service centers, please use our on-line service locator or call 1-877-267-2499.

THIS WARRANTY PROGRAM DOES NOT APPLY TO TRIPODS AND RODS. Robert Bosch Tool Corporation ("Seller") warrants tripods and leveling rods for a period of one (1) year from date of purchase.

THIS LIMITED WARRANTY DOES NOT APPLY TO OTHER ACCESSORY ITEMS AND RELATED ITEMS. THESE ITEMS RECEIVE A 90 DAY LIMITED WARRANTY.

To make a claim under this Limited Warranty, you must return the complete product, transportation prepaid. For details to make a claim under this Limited Warranty please visit [www.boschtools.com](http://www.boschtools.com) or call 1-877-267-2499.

ANY IMPLIED WARRANTIES SHALL BE LIMITED IN DURATION TO ONE YEAR FROM DATE OF PURCHASE. SOME STATES IN THE U.S., AND SOME CANADIAN PROVINCES DO NOT ALLOW LIMITATIONS ON HOW LONG AN IMPLIED WARRANTY LASTS, SO THE ABOVE LIMITATION MAY NOT APPLY TO YOU.

IN NO EVENT SHALL SELLER BE LIABLE FOR ANY INCIDENTAL OR CONSEQUENTIAL DAMAGES (INCLUDING BUT NOT LIMITED TO LIABILITY FOR LOSS OF PROFITS) ARISING FROM THE SALE OR USE OF THIS PRODUCT. SOME STATES IN THE U.S., AND SOME CANADIAN PROVINCES DO NOT ALLOW THE EXCLUSION OR LIMITATION OF INCIDENTAL OR CONSEQUENTIAL DAMAGES, SO THE ABOVE LIMITATION MAY NOT APPLY TO YOU.

THIS LIMITED WARRANTY GIVES YOU SPECIFIC LEGAL RIGHTS, AND YOU MAY ALSO HAVE OTHER RIGHTS WHICH VARY FROM STATE TO STATE IN THE U.S., OR PROVINCE TO PROVINCE IN CANADA AND FROM COUNTRY TO COUNTRY.

THIS LIMITED WARRANTY APPLIES ONLY TO PRODUCTS SOLD WITHIN THE UNITED STATES OF AMERICA, CANADA AND THE COMMONWEALTH OF PUERTO RICO. FOR WARRANTY COVERAGE WITHIN OTHER COUNTRIES, CONTACT YOUR LOCAL BOSCH DEALER OR IMPORTER.



## Consignes générales de sécurité



**Lisez toutes les instructions.** Le non-

respect de toutes les instructions figurant ci-dessous risquerait de causer une exposition dangereuse aux rayonnements, un choc électrique, un incendie et/ou des blessures graves. L'expression « instrument de topologies » dans tous les avertissements figurant plus bas fait référence à votre instrument de mesure, de détection et de tracé de topologies branché sur le secteur (avec cordon) ou à votre instrument de mesure, de détection et de tracé de topologies à piles (sans fil).



**Les étiquettes suivantes sont apposées sur votre instrument laser pour votre commodité et votre sécurité. Elles indiquent où la lumière laser est émise par le instrument. IL FAUT TOUJOURS CONNAÎTRE sa position lors de l'utilisation du instrument.**

**Utilisez l'outil correct pour votre application.**

**Ne dirigez pas le faisceau laser en direction de personnes ou d'animaux, et ne regardez pas directement le faisceau laser vous-même.** Cet instrument produit des rayonnements laser de classe 2 et est conforme aux normes 21 CFR 1040.10 et 1040.11, à l'exception des déviations en vertu de l'Avis relatif au laser N° 50 daté du 24 juin 2007. Ceci risquerait de causer l'aveuglement des personnes affectées.

**NE RETIREZ PAS et n'effacez pas des étiquettes d'avertissement ou de mise en garde.** Le retrait de telles étiquettes augmente le risque d'exposition aux rayonnements laser. L'emploi de commandes ou de réglages autres que ceux qui sont indiqués dans ce mode d'emploi risquerait de causer une exposition dangereuse aux rayonnements.

**ASSUREZ-VOUS TOUJOURS que les personnes présentes aux environs de l'endroit où vous employez cet instrument sont au courant des dangers résultant de l'observation directe du faisceau laser.**

**NE PLACEZ PAS l'instrument dans une position telle que cela permettrait à quiconque de regarder directement le faisceau laser intentionnellement ou non.** Ceci risquerait de causer des blessures graves aux yeux.

**Placez TOUJOURS l'instrument laser dans une position stable.** En cas de chute de l'instrument laser, celui-ci pourrait être endommagé et/ou l'utilisateur pourrait subir des blessures graves.

**N'UTILISEZ TOUJOURS que les accessoires qui sont recommandés par le fabricant de votre instrument.** L'utilisation d'accessoires qui ont été conçus pour être utilisés avec d'autres instruments laser pourrait entraîner des blessures graves ou un fonctionnement insatisfaisant.

**N'UTILISEZ PAS cet instrument dans un but autre que ceux qui sont indiqués dans ce mode d'emploi.** Ceci risquerait de causer des blessures graves ou un fonctionnement insatisfaisant.

**NE LAISSEZ PAS l'instrument allumé (« ON ») sans surveillance dans un mode de fonctionnement quelconque.**

**NE DÉMONTÉZ PAS l'instrument. Il ne contient aucune pièce pouvant être réparée par l'utilisateur. Ne modifiez ce produit en aucune façon.** Toute modification de cet instrument risquerait de causer une exposition dangereuse aux rayonnements.

**CONSERVEZ CES INSTRUCTIONS.**

GLL 150 E

Assembled in China (177)



3 601 K63 K80  
4 x AA 1.5V

Robert Bosch Tool Corp.  
Mount Prospect, IL



2 IEC 60825-1:2007-03 Max Output <1 mW @ 640 nm

Laser Radiation. Do not stare into the beam. Class 2 Laser product. Complies with 21 CFR 1040.10 and 1040.11 except for deviations pursuant to Laser Notice 50, 6/24/2007

Radiación Láser. No mire al rayo. Producto láser de Clase 2. Cumple con las normas 21 CFR 1040.10 y 1040.11, excepto por las desviaciones conforme al Aviso para láseres 50 del 24 de junio de 2007

Rayonnement laser. Ne regardez pas directement dans le faisceau. Produit laser de Classe 2. Conforme à 21 CFR 1040.10 et 1040.11, sauf pour les écarts suivant l'Avis laser 50, 24/6/2007

## Sécurité sur le lieu de travail

**Maintenez votre lieu de travail propre et bien éclairé.** Les lieux de travail encombrés ou sombres invitent les accidents.

**N'UTILISEZ PAS l'instrument laser à proximité d'enfants, et ne laissez pas des enfants se servir de l'instrument laser.** Cela risquerait de produire des blessures graves aux yeux.

**N'utilisez PAS d'outils de mesure, ou leurs dispositifs et accessoires, en plein air en cas de foudre.**

## Sécurité électrique

**Les piles risquent d'exploser ou de fuir, et de causer des blessures ou un incendie. Afin de réduire ce risque, suivez toujours toutes les instructions et tous les avertissements figurant sur l'étiquette des piles et sur l'emballage.**

**Retirez les piles de l'outil quand vous n'allez pas vous en servir pendant une période prolongée.** Quand elles restent inutilisées pendant des périodes prolongées, les piles risquent de se corroder et de se décharger.

**NE COURT-CIRCUITEZ PAS de bornes des piles.**

**NE RECHARGEZ PAS des piles alcalines.**

**NE combinez PAS des piles usagées et des piles neuves. Remplacez toutes les piles usagées en même temps par des piles neuves de marque et de type identiques.**

**NE MÉLANGEZ PAS des piles ayant des compositions chimiques différentes. Jetez ou recyclez les piles conformément aux règlements du code local.**

**NE JETEZ PAS des piles dans un feu. Gardez les piles hors de la portée des enfants.**

## Sécurité personnelle

**Restez vigilants, faites attention à ce que vous faites et faites preuve de bon sens quand vous utilisez un outil. N'utilisez pas d'outils si vous êtes fatigué ou sous l'influence de la drogue, de l'alcool ou de médicaments.** Un moment d'inattention pendant l'utilisation d'un outil pourrait entraîner des blessures graves ou des erreurs de mesure.

**Utilisez des équipements de sécurité.** Portez toujours une protection des yeux. Des équipements tels que des masques antipoussières, des chaussures de sécurité

antidérapantes, un casque ou une protection des oreilles utilisés pour les conditions appropriées réduiront les blessures corporelles.

**N'UTILISEZ PAS les verres de visionnement du laser à la place de lunettes de protection.** Les verres de visionnement du laser sont utilisés pour améliorer la visualisation du faisceau laser, mais ils ne protègent pas contre les rayonnements laser.

**N'UTILISEZ PAS pas les verres de visionnement du laser en guise de lunette de soleil ou lorsque vous conduisez un véhicule.** Ces verres n'assurent pas une protection complète contre les rayons UV et ils réduisent la perception des couleurs.

**N'UTILISEZ PAS d'instruments optiques tels, que, entre autres, des télescopes ou des lunettes d'astronome pour regarder le faisceau laser.** Ceci risquerait de causer des blessures graves aux yeux.

**NE FIXEZ PAS directement des yeux le faisceau laser et ne projetez pas la faisceau laser directement dans les yeux d'autres personnes.** Ceci risquerait de causer des blessures graves aux yeux.

**Prenez les précautions appropriées lorsque vous utilisez des outils de mesure à proximité de zones de danger électrique.**

## Aimants



**Ne pas mettre l'appareil de mesure et la platine de mesure laser proximité de stimulateurs cardiaques.** Les

aimants de l'appareil de mesure

et de la platine de mesure laser génèrent un champ qui peut entraver le fonctionnement des stimulateurs cardiaques.

**Maintenir l'appareil de mesure et la platine de mesure laser éloignés des supports de données magnétiques et des appareils réagissant aux sources magnétiques.** L'effet des aimants de l'appareil de mesure et de la platine de mesure laser peut entraîner des pertes de données irréversibles.

## Informations concernant les bruits

**Ne tenez pas l'outil de mesure trop près de l'oreille! Veillez à bien tenir l'outil de mesure à au moins un mètre de vos oreilles lorsque vous réglez le volume à un niveau élevé! Le niveau de pression acoustique pondéré A du signal audio à une distance d'un mètre est de 75-85db(A). Cela pourrait causer**

## des blessures graves. Utilisation et entretien

### Utilisez l'outil correct pour votre application.

Le bon outil fera un meilleur travail en toute sécurité.

### N'utilisez pas cet instrument si l'interrupteur

ne s'allume pas ou ne s'éteint pas. Un instrument qui ne peut pas être contrôlé par son interrupteur est dangereux et doit être réparé.

**Rangez l'instrument hors de la portée des enfants lorsque vous ne vous en servez pas, et ne laissez pas de personnes ne connaissant pas bien cet instrument ou n'ayant pas lu ce mode d'emploi mettre l'outil en marche.** De tels instruments

pourraient être dangereux entre les mains d'utilisateurs n'ayant pas reçu la formation nécessaire à leur utilisation.

**Entretenez vos instruments. Assurez-vous que les pièces sont alignées correctement et que les pièces mobiles ne se coincent pas, qu'il n'y a pas de pièces brisées ou d'autres conditions pouvant affecter le fonctionnement. Réparez tout instrument endommagé avant de vous en servir.** De nombreux accidents par des instruments de mesure, de détection et de tracé de topologies mal entretenus.

Utilisez l'outil, les accessoires, etc. conformément à ce mode d'emploi et de

la manière prévue pour le type particulier d'instrument, en tenant compte des

conditions de travail à réaliser. L'emploi de cet instrument pour des opérations différentes de celles qui sont indiqués dans le mode d'emploi risquerait de causer une situation dangereuse.

## Service et entretien

**Faites réparer votre instrument par un réparateur agréé n'utilisant que des pièces de rechange identiques.** Ceci assurera le respect des prescriptions de sécurité pour l'instrument.

**Préparez un calendrier de maintenance périodique pour l'instrument.**

**Suivez les procédures de contrôle pour le réétalonnage qui sont indiquées dans ce mode d'emploi. Lorsque vous nettoyez un outil, faites attention de ne pas démonter une partie quelconque de l'outil étant donné que certains fils à l'intérieur risqueraient d'être déplacés ou pincés, ou le montage pourrait être incorrect.** Certains produits de nettoyage tels que de l'essence, du tétrachlorure de carbone, de l'ammoniac, etc. risqueraient d'endommager les composants en plastique.

**CONSERVEZ CES INSTRUCTIONS.**

## Emploi prévu

L'outil est un niveau conçu pour la détermination et la vérification de lignes horizontales.

## Préparation

### Mise en place/changement des piles

**⚠ AVERTISSEMENT** Remplacez toujours toutes les piles en même temps. N'utilisez que des piles de la même marque et de la même capacité.

**Retirez les piles de l'outil quand vous n'allez pas vous en servir pendant une période prolongée.** Quand elles restent inutilisées pendant des périodes prolongées, les piles risquent de se corroder et de se décharger.

Il est recommandé d'utiliser des piles alcalines dans cet outil.

Pour ouvrir le compartiment des piles 6, faites glisser le verrou 5 dans le sens de la flèche et relevez le couvercle du compartiment des piles.

Insérez les piles.

Lorsque vous insérez les piles, respectez la polarité correcte indiquée dans le dessin sur la partie interne du couvercle du compartiment des piles.

Les piles s'affaiblissent quand il ne leur reste plus qu'environ 6 heures d'autonomie. Laser clignotant -- (s'allume pendant 0,2 seconde et s'éteint pendant 0,2 seconde pour une période totale de 30 secondes jusqu'à ce que la pile soit déchargée; cette séquence se reproduit au cours de la mise en marche initiale).

## Features

La numérotation des caractéristiques du produit montrées fait référence à l'illustration de l'outil sur la page de graphiques.

- |  |   |
|--|---|
| <b>1</b> Orifice de sortie pour le faisceau laser      | <b>10</b> Récepteur laser (LR 3)  |
| <b>2</b> Interrupteur de marche/arrêt                  | <b>11</b> Collier de serrage  |
| <b>3</b> Raccord de trépied de 5/8 po-11               | <b>12</b> Lunettes de visionnement du faisceau laser*                                       |
| <b>4</b> Raccord de trépied de 1/4 po-20               | <b>13</b> Trépied (BT 152)  |
| <b>5</b> Verrou du couvercle du compartiment des piles | <b>14</b> Mire de nivellement (GR 8 C)  |
| <b>6</b> Couvercle du compartiment des piles           | *Les accessoires illustrés ou décrits ne sont pas inclus de façon standard avec le produit. |
| <b>7</b> Étiquette d'avertissement relative au laser   |   |
| <b>8</b> Numéro de série                               |   |
| <b>9</b> Plaque cible laser*                           |   |

## Données techniques

Rayon de portée sur l'axe X	de 1 m à 60 m (3 pi à 196 pi) Axe X (mode de portée standard sur le LR 3)
Rayon de portée sur l'axe Y	de 1 m à 20 m (3 pi à 65 pi) Axe Y (mode de portée standard sur le LR 3)
Rayon de portée sur l'axe X	de 20 m à 80 m (66 pi à 260 pi) Axe X (mode longue portée sur le LR 3)
Rayon de portée sur l'axe Y	de 20 m à 80 m (66 pi à 260 pi) Axe Y (mode longue portée sur le LR 3)
Plage de nivellement automatique (typique)	±4 degrés
Avertissement d'erreur de nivellement	Laser clignotant (allumé 3,0 seconde et éteint 0,5 seconde)
Base de nivellement manuel	Non nécessaire
Fonctionnement dénivellation	Oui
Blocage de mouvement du pendule pour le transport	Oui
Indicateur de faiblesse des piles	Quand il ne leur reste plus qu'environ 6 heures d'autonomie. Laser clignotant -- (s'allume pendant 0,2 seconde et s'éteint pendant 0,2 seconde pour une période totale de 30 secondes jusqu'à ce que la pile soit déchargée; cette séquence se reproduit au cours de la mise en marche initiale).
Monture	1/4-20 et 5/8-11

Arrêt automatique	15 minutes (non nivelé), aucun (nivelé)
Étalonnage	Service local via 2 ports de service sur le produit
Classe de protection IP	IP55
Type de piles	4 piles alcalines AA
Autonomie des piles	50 heures
Classe de sécurité	2
Diode laser	635 nm
Largeur de faisceau	5 mm à 10 m (0.2 po à 33 pi) , 100 lux, 20° C ... -25° C (68° F ... -13° F)
Température de service	-10° à 50°C
Précision de nivellement	± 4,5 mm à 30 m (± 3/16 po à 100 pi)
Précision d'erreur de nivellement	± 3,0 mm à 10 m (± 1/8 po à 33 pi)
Accessoires	Détecteur laser avec support et étui
Télécommande	N/A
Type	Cône

1) La plage de mesure peut être réduite par des conditions environnementales défavorables (p. ex., la lumière directe du soleil).

Veillez observer le numéro de l'article sur la plaque signalétique de votre outil. Les noms

commerciaux des outils de mesure individuels peuvent varier.

L'outil peut être identifié clairement par le numéro de série 8 sur la plaque signalétique.

## Consignes d'utilisation

Une vérification de la précision doit toujours être réalisée avant l'emploi.

**⚠ AVERTISSEMENT** Protégez l'outil contre l'humidité et la lumière directe du soleil.

**N'exposez pas l'outil à des températures extrêmes ou à des variations considérables de température. Par exemple, ne le laissez pas à l'intérieur d'un véhicule pendant une période prolongée. En cas de variations importantes de la température, attendez que l'outil s'ajuste à la température ambiante avant de le mettre en marche.** En cas de températures extrêmes ou de variations de la température, la précision de l'outil pourrait être affectée.

**Évitez tout choc important et ne laissez pas tomber l'outil.** Quand l'outil a subi un choc extérieur considérable, il faut toujours

réaliser une vérification de la précision avant de poursuivre votre travail (voir la section « Précision de nivellement »).

**Éteignez l'outil pendant son transport.**

Quand il est mis hors tension, l'appareil de nivellement est verrouillé au cas où un mouvement intense susceptible de l'endommager se produirait.

### Mise en marche/à l'arrêt

Pour **activer** l'outil, faites glisser l'interrupteur de marche/arrêt **2** en position de marche « **on** ». Tout de suite après avoir été mis sous tension, l'outil projette des faisceaux laser par son orifice de sortie 1.

**⚠ MISE EN GARDE** **Alignez la flèche de l'interrupteur de marche-arrêt ON-OFF juste au-dessous de la position ON.** Si cet interrupteur n'est

pas complètement engagé, la fonction de nivellement automatique n'est pas activée et la ligne laser sera affectée par une erreur de nivellement.

Pour **désactiver** l'outil, faites glisser l'interrupteur de marche/arrêt **2** en position d'arrêt « **off** ». Une fois mise hors tension, l'unité de nivellement est verrouillée.

**⚠ AVERTISSEMENT** **Ne projetez pas le faisceau laser en direction de personnes ou d'animaux, et ne regardez pas directement le faisceau laser, même de loin.**

**Ne laissez pas l'outil allumé sans surveillance, et éteignez l'outil après usage.**

## Modes de fonctionnement

L'outil a un seul mode de fonctionnement :

- Fonctionnement horizontal : projette un plan laser horizontal en mode pulsé.

Une fois allumé, l'outil est en mode de fonctionnement horizontal.

### Fonction d'impulsion

Pour travailler avec le récepteur laser **10**, la fonction d'impulsion est toujours activée.

En mode d'impulsion, les raies laser clignotent à une très haute fréquence et peuvent ainsi être détectées par le récepteur **10**.

## Nivellement automatique

### Utilisation du nivellement automatique

Positionnez l'outil sur un support horizontal ferme, en le fixant sur le trépied **13**.

Poussez l'interrupteur de marche/arrêt **2** en position de marche « on ».

Après la mise sous tension, la fonction de nivellement compense automatiquement les irrégularités dans la plage de mise à niveau

automatique de  $\pm 4^\circ$ . Le nivellement est terminé dès que les faisceaux laser cessent de bouger.

Si la fonction de nivellement automatique n'est pas possible, p. ex., parce que la surface sur laquelle l'outil est placé dévie du plan horizontal de plus de  $4^\circ$ , les raies laser commencent à clignoter rapidement

Dans ce cas, mettez l'outil dans la position horizontale et attendez que le nivellement automatique ait lieu. Dès que l'outil est dans la plage de nivellement automatique de  $\pm 4^\circ$ , les raies laser s'allument à nouveau sans clignoter et restent allumées constamment.

En cas de vibrations du sol ou de changement de la position pendant l'opération, l'outil est automatiquement remis à niveau. Pour éviter tout risque d'erreur, vérifiez la position des raies laser horizontales et verticales par rapport aux points de référence lors de la remise à niveau.

### Travailler sans nivellement automatique

Positionnez l'outil pour qu'il ne puisse pas auto-niveau. Si le nivellement automatique est désactivé, les lignes laser se mettent à clignoter lentement pendant 30 s.

Lorsque le nivellement automatique est désactivé, il est possible de tenir l'appareil de mesure simplement en main ou de le poser sur un support approprié. En mode en croix, les deux lignes laser ne sont plus forcément perpendiculaire l'une par rapport à l'autre.

### Conseils pour l'utilisation

**⚠ MISE EN GARDE** **Utilisez toujours le centre du faisceau laser pour le marquage. La largeur du faisceau laser change en fonction de la distance.**

## Précision de nivellement

### Influences sur la précision

La température ambiante a la plus grande influence ; tout particulièrement, les différences de température se produisant en montant depuis le sol peuvent faire dévier le faisceau laser.

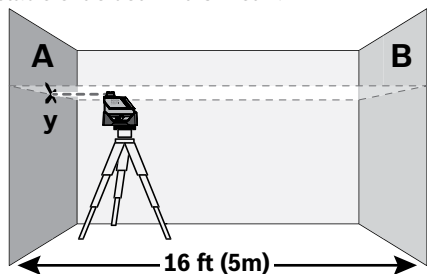
Étant donné que la plus grande différence entre les couches de températures se trouve à proximité du sol, l'outil doit toujours être monté sur un trépied en cas de distances supérieures à 20 m. De plus, si possible, installez l'outil au centre de la zone de travail.

Outre les influences extérieures, des influences spécifiques à l'appareil (telles que des chocs importants ou des chutes) peuvent causer des divergences. Par conséquent, vérifiez l'exactitude de l'outil à chaque fois avant de commencer votre travail.

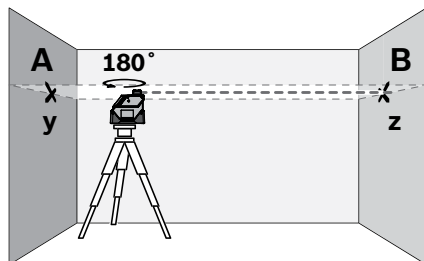
Si l'outil dépasse la divergence maximum pendant l'un des tests, veuillez le faire réparer par un centre de service après-vente de Bosch.

## Vérification de la précision du nivellement horizontal.

Pour ce contrôle, il est nécessaire de travailler sur une distance dégagée de 16 pi sur un sol stable entre deux murs A et B.



- Montez l'outil près du mur A sur un trépied ou placez-le sur un sol stable et de niveau. Allumez l'outil.
- Dirigez le laser sur le mur le plus proche A et laissez l'appareil de mesure se niveler automatiquement. Sur les deux murs, marquez le point indiqué par le laser (point y). Marquez le centre du faisceau laser sur le mur (aux points y et z).



- Tournez l'outil de 180°, laissez-le se niveler automatiquement. La raie laser devrait indiquer le même point dans les limites de tolérance du produit.

## Utiliser avec les accessoires

### Travail avec la plaque cible laser

La plaque cible laser **9** améliore la visibilité du faisceau laser dans des conditions défavorables et à des distances plus importantes.

La partie réfléchissante de la plaque cible laser **9** améliore la visibilité de la raie laser. La partie transparente rend la raie laser visible même du côté arrière de la plaque cible laser.

### Travail avec le trépied (accessoire disponible en option)

Un trépied offre l'avantage d'être un support de mesure stable à hauteur réglable. Placez l'outil avec le raccord de trépied de 1/4-20 **4** sur le filet d'un trépied d'appareil photo disponible dans le commerce ou utilisez la méthode recommandée, qui consiste à monter l'outil sur un trépied de chantier en utilisant le raccord de trépied de 5/8-11 **3**. Serrez l'outil au moyen de la vis de blocage du trépied.

### Lunettes de visionnement du faisceau laser (accessoire disponible en option)

Les lunettes de visionnement du faisceau laser filtrent la lumière ambiante. L'œil perçoit

ainsi la lumière rouge du laser comme étant plus claire.

**AVERTISSEMENT** N'utilisez pas les lunettes de visionnement du faisceau laser comme des lunettes de protection. Les lunettes de visionnement du faisceau laser servent à mieux reconnaître le faisceau laser, elles ne protègent cependant pas du rayonnement laser.

N'utilisez pas les lunettes de visionnement du faisceau laser comme des lunettes de soleil ou pour conduire un véhicule. Les lunettes de visionnement du faisceau laser ne protègent pas parfaitement contre les rayons ultra-violet, et elles réduisent la perception des couleurs.

### Exemples d'utilisation (voir les figures A-H)

Vous trouverez des exemples d'utilisation de l'appareil de mesure sur les pages de graphiques.

# Le détecteur électronique de raies laser LR 3



Fig. 1

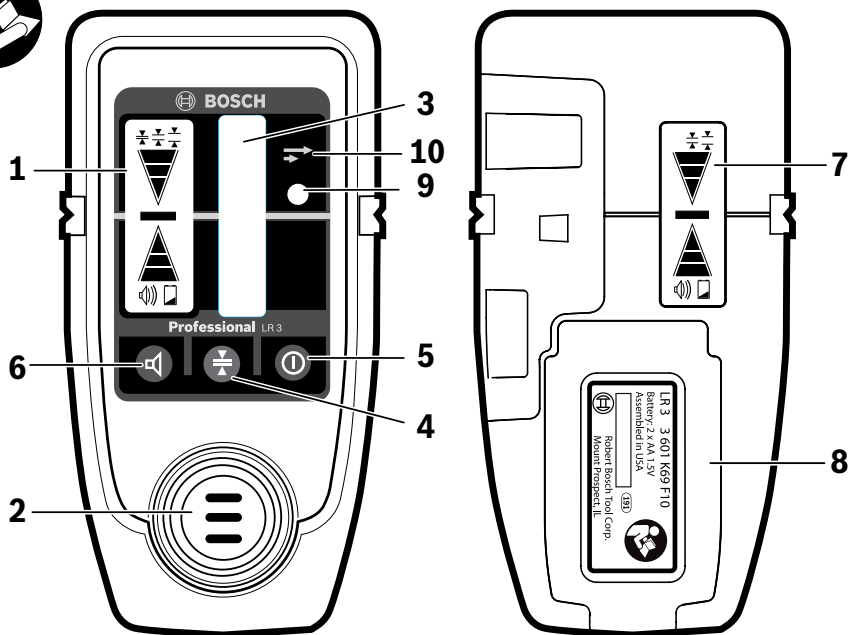


Fig. 2

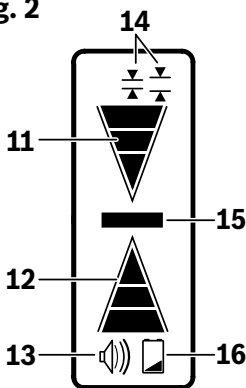


Fig. 6

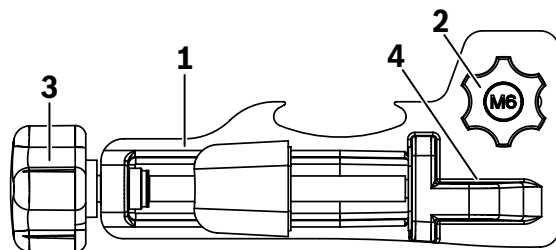
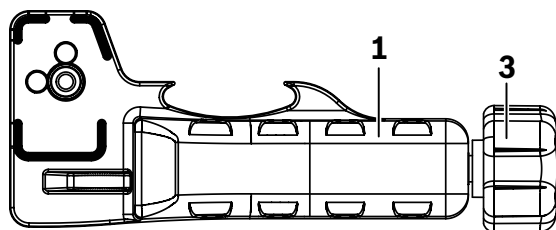


Fig. 3



Fig. 4



Fig. 5





## Emploi prévu

Le détecteur électronique de raies laser Bosch aide à localiser et à cibler un faisceau visible ou invisible émis par un laser à impulsions; parfait pour une utilisation en plein air où la lumière du soleil et la distance peuvent rendre la localisation du faisceau plus difficile. Le détecteur laser comprend une attache de tige qui permet de monter le détecteur sur des tiges de visée carrées, rondes ou ovales.

## Caractéristiques du LR 3

La numérotation des caractéristiques du produit montrées fait référence à l'illustration de l'outil sur la page des graphiques 11 (**Fig. 1**).

- 1 Fenêtre d'affichage ACL
- 2 Haut-parleur
- 3 Lucarne de capture de faisceau
- 4 Sélection de résolution de largeur de bande
- 5 Marche/arrêt
- 6 Volume : coupé/ faible/fort
- 7 Fenêtre arrière d'affichage ACL
- 8 Porte du compartiment à piles
- 9 Témoin DEL pour l'expansion de la portée
- 10 Bouton de fonction pour l'expansion de la portée

### LCD Display (**Fig. 2**)

- 11 Flèche supérieure
- 12 Flèche inférieure

- 13 Volume du haut-parleur
- 14 Témoins de résolution de largeur de bande
- 15 Témoin de décharge
- 16 partielle de la pile

### Alimentation

Deux piles AA permettent jusqu'à 30 heures d'utilisation continue. Quand l'appareil est en marche et le symbole de décharge partielle de la pile reste allumé, il est temps de remplacer la pile.

### Installation et retrait des piles

Pour remplacer les piles, détachez le collier de serrage (**fig. 6 #1**) du capteur en tournant le bouton (**fig. 6 #2**) sur le collier de serrage. Ouvrez la porte du compartiment des piles (**fig. 6 #8**) en tirant sur le loquet.

Installez des piles de polarité correcte comme indiqué à la **Figure 1**. Fermez la porte du compartiment des piles et engagez le loquet.

## Fonctionnement du LR 3

- Pour attacher le collier de serrage (**fig. 6 #1**) au capteur, alignez les projections sur le collier de serrage avec l'encastrement correspondant à l'arrière du capteur, et serrez le bouton (**fig. 6 #2**). Pour détacher le collier de serrage (**fig. 6 #1**) du capteur, dévissez complètement le bouton (**fig. 6 #2**).
- Pour attacher le collier de serrage (**fig. 6 #1**) à la tige de nivellement **14**, desserrez le bouton (**fig. 6 #3**) sur le collier de serrage, faites glisser le collier de serrage sur la tige de nivellement **14** jusqu'à l'endroit désiré, et serrez le bouton (**fig. 6 #3**). Un niveau à bulle d'air peut (**fig. 6 #4**) être utilisé pour mettre la tige de nivellement à peu près à niveau. Ajustez la position de la tige de nivellement jusqu'à ce que la bulle du niveau (**fig. 6 #4**) soit à l'intérieur du cercle.

**absorbant approprié et mettez-le au rebut en toute sécurité.** Le niveau à bulle d'air contient un liquide inflammable qui pourrait irriter l'appareil respiratoire, les yeux et la peau.

- Allumez l'appareil en appuyant sur le bouton de marche/arrêt du pavé de commande. Les symboles visibles dans l'affichage ACL s'allumeront momentanément et l'instrument émettra un bip. Le témoin de largeur de bande basse résolution et le témoin de volume faible resteront allumés.
- Orientez la lucarne de capture de faisceau du détecteur laser en direction de la raie laser pulsée.
- Déplacez lentement le détecteur laser vers le haut et vers le bas jusqu'à l'apparition des flèches sur l'indicateur de faisceau ACL et/ou jusqu'à l'émission d'un signal sonore pulsé. Utilisez la fonction de sélection de résolution de largeur de bande pour choisir entre les réglages haute résolution ou basse

**⚠ AVERTISSEMENT** Portez des lunettes de protection. Si le niveau à bulle d'air fuit, enduisez-le d'un matériau

résolution. Le réglage basse résolution est pour une approximation du niveau ou pour la localisation initiale du point de niveau central. Le réglage haute résolution est utilisé pour une localisation plus précise du niveau.

- Déplacez le détecteur laser vers le haut quand l'icône de flèche inférieure est allumée (**fig. 5**) (quand le son est activé, une tonalité à pulsation lente se fait entendre). Déplacez le détecteur laser vers le bas quand l'icône de flèche supérieure est allumée (**fig. 3**) (quand le son est activé, une tonalité à pulsation rapide se fait entendre). Quand la ligne est horizontale, le témoin de raie laser du niveau s'allume (**fig. 4**) (quand le son est activé, une tonalité rapide se fait entendre).

Si le détecteur n'est pas frappé par un rayon laser au bout de 4-6 minutes, il s'éteindra automatiquement pour conserver l'autonomie de la pile. Allumez de nouveau l'appareil en appuyant sur le bouton de mise en marche.

**Remarque :** le détecteur ne fonctionnera que lorsque l'instrument sera en mode d'impulsion.

**Le modèle GLL 150 E est toujours en mode d'impulsion.**

La conception du détecteur LR 3 est tout à fait novatrice. Il est possible de le faire passer du mode standard au mode longue portée, ce qui permet GLL 150 E de fonctionner à des distances plus variées et de réduire le problème de « dispersion » associé à l'utilisation des lasers d'alignement sur une courte distance.

Quand il est employé avec le laser extérieur GLL 150 E, le récepteur LR 3 permet d'utiliser l'instrument dans une zone de travail pouvant atteindre 530 pi (160 m) de diamètre. Dans le mode standard, la combinaison du GLL 150 E et du LR 3 produira la forme elliptique des lasers en cône avec un rayon maximum de 196 pi (60 m) et un rayon minimum de 65 pi (20 m) le long de l'axe Y. Dans le mode longue portée, il est possible d'avoir une zone de travail d'un rayon de 265 pi (80 m).

Le cercle en **TIRETS** représente la zone de travail dans le MODE LONGUE PORTÉE.

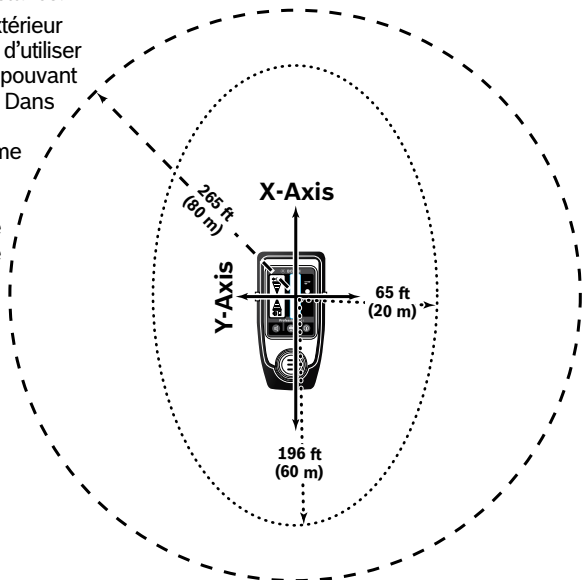
L'ellipse en **POINTILLÉS** représente la zone de travail dans le MODE PORTÉE STANDARD.

### Fonction longue portée

Le récepteur LR 3 se met par défaut dans le mode de fonctionnement standard, et il doit être utilisé dans ce mode pour la plupart des projets de nivellement. Si l'opérateur a du mal à obtenir une mesure à grande distance, par exemple en cas de difficulté à localiser la barre centrale (à plus de 20 mètres ou 65 pi), il est alors possible d'appuyer sur le bouton longue portée (**fig. 1, no 10**) du détecteur, et le voyant à DEL s'allumera (**fig. 1, no 9**).

### Utilisation à proximité

Lors de l'utilisation du LR 3 à proximité du laser (**de 3 à 15 pi**), il faut faire très attention à cause de la sensibilité du LR 3 et de la dispersion causée par le cône, le verre, la présence de poussière sur le verre et les objets environnants. La détection à proximité doit être validée en tenant compte des réflexions et de la dispersion en assurant que les deux flèches directionnelles se trouvent d'un côté ou de l'autre de la barre centrale (voir **fig. 3 à 5**). Cela peut se faire en déplaçant le LR 3 vers le haut et vers le bas par rapport à la barre centrale pour localiser les flèches. N'utilisez pas le détecteur à moins de 3 pi du laser.



## Caractéristiques spéciales du LR 3

Les détecteurs laser sont munis d'un système permettant le filtrage électronique de la lumière solaire intense et des interférences électromagnétiques. Trois sons distincts (haut, exact, bas) aident à cibler à distance.

Le détecteur LR 3 offre trois sélections possibles pour le haut-parleur : coupé, faible (~75 dB) et fort (~85 dB), selon les mesures effectuées à un mètre.

### Contrôle du volume

L'appui du bouton de volume (fig. 1, no 6) fait entendre les trois niveaux de volume de l'instrument : éteint, faible et fort. Après chaque

appui du bouton, le haut-parleur émettra un bip pour accuser réception de l'appui du bouton, puis un autre bip pour faire entendre le volume. Lorsque le volume sélectionné est « éteint » ou « faible », un bip court sera émis. Lorsque le volume sélectionné est « fort », un bip fort sera émis.

L'affichage ACL du détecteur LR 3 a trois canaux distincts d'information, et il indique la position du détecteur dans le plan de la lumière laser.

## Entretien de votre détecteur laser

L'instrument est muni d'un joint d'étanchéité qui le protège contre l'eau et la poussière. Utilisez un chiffon sec et doux pour retirer toute saleté ou humidité de l'instrument avant de le ranger. N'utilisez pas de benzène, de diluant pour peintures ou d'autres solvants pour nettoyer l'instrument. Retirez la pile de l'instrument avant de le ranger pour une longue période.

## Données techniques du LR 3

**Remarque :** les valeurs de sensibilité sont basées sur des conditions standard avec la plupart des lasers; elles peuvent varier légèrement en fonction du fabricant, de la marque, de la taille du faisceau ou des conditions de travail.

Portée	de 1 à 180 m, maximum (de 3 à 590 pi) en fonction de la source laser, de l'orientation du laser et de la portée sélectionnée sur le LR 3.
Dans le mode de portée standard	la distance de fonctionnement minimum est de 1 m, la distance de fonctionnement maximum peut atteindre 60 m par rapport au GLL 150 E dans des orientations de 0 et 180 degrés (axe X), ou 20 m par rapport au GLL 150 E dans des orientations de 90 et 270 degrés (axe Y)
Dans le mode de longue portée	la distance de fonctionnement minimum est de 20 m, et la distance de fonctionnement maximum est d'au moins 80 m par rapport au GLL 150 E dans toutes les orientations.
	Le LR 3 s'allume dans le mode de portée standard.

Précision	
Dans le mode de portée standard	Haute résolution <= 0,05 po (1,5 mm) jusqu'à 65 pi (20 m), sélectionnable Basse résolution <= 0,10 po (3,0 mm) jusqu'à 65 pi (20 m), sélectionnable
Dans le mode de longue portée	Haute résolution <= 0,05 po (1,5 mm) jusqu'à 196 pi (60 m), sélectionnable Basse résolution <= 0,10 po (3,0 mm) jusqu'à 196 pi (60 m), sélectionnable  Il est possible de choisir les modes haute résolution et basse résolution sur le pavé de commande.
Lumière vive	Peut atteindre 80 m dans une orientation de 0 degré (axe X) par rapport au GLL 150 E à condition que la lumière solaire ne tombe pas directement sur la fenêtre du détecteur (< 35 kLux)
Lumière fluorescente	Aucune fausse détection, quelle que soit la distance, à partir d'une lumière fluorescente ou stroboscopique.
Angle de réception	±30 degrés
Volume de l'avertisseur	Volume de l'avertisseur Entre 75 dB(A) et 85 dB(A) à 1 m
Affichage :	Fenêtres ACL avant et arrière. DEL vert brillant sur le pavé de commande pour indiquer le mode de longue portée. L'avertisseur émet une indication audible en cas de détection et d'utilisation du pavé de commande. Le volume et la fonction de l'avertisseur peuvent être choisis sur le pavé.
Arrêt automatique	5 minutes après la dernière détection ou le dernier appui de bouton. L'avertisseur émet un bip lors de la mise à l'arrêt de l'instrument.
Type de piles	2 piles alcalines AA
Autonomie des piles	>30 heures d'utilisation continue
Avertissement de niveau faible des piles	Témoin sur l'ACL. Au moins 3 heures d'avertissement de niveau faible des piles.
Classe de protection IP	IP55
Montant de support	M6
Température de service	-10° C à +50° C (+14° F à 122° F)
Dimensions	6,6 po H x 3 po l x 1 po P (169 mm x 76 mm x 25 mm)

Ces informations peuvent être modifiées sans préavis.

**▲ AVERTISSEMENT** Ne transporter et ranger l'appareil de mesure que dans son étui de protection fourni avec l'appareil.

Maintenir l'appareil de mesure propre.

Ne jamais plonger l'appareil de mesure dans l'eau ou dans d'autres liquides.

Nettoyer l'appareil à l'aide d'un chiffon doux et humide. Ne pas utiliser de détergents ou de solvants.

Nettoyer régulièrement en particulier les surfaces se trouvant près de l'ouverture de sortie du laser en veillant à éliminer les poussières.

Si, malgré tous les soins apportés à la fabrication et au contrôle de l'appareil de mesure, celui-ci devait avoir un défaut, la réparation ne doit être confiée qu'à une station de service après-vente agréée pour

outillage Bosch.

Pour toute demande de renseignement ou commande de pièces de rechange, nous préciser impérativement le numéro d'article à dix chiffres de l'appareil de mesure indiqué sur la plaque signalétique.

Au cas où l'appareil devrait être réparé, l'envoyer dans son étui de protection.

#### PROTECTION DE L'ENVIRONNEMENT

Recyclez les matières premières et les piles au lieu de les mettre au rebut. L'instrument, ses accessoires, son conditionnement et les piles usées doivent être triés en vue d'un recyclage écologique conforme aux lois les plus récentes.



## **GARANTIE LIMITÉE DES PRODUITS LASER ET AUTRES INSTRUMENTS DE MESURE BOSCH**

Robert Bosch Tool Corporation (« Vendeur ») garantit, exclusivement à l'acheteur initial, que tous les outils laser et de mesure de Bosch ne comporteront aucun défaut de matériau ou de fabrication pendant une période d'un (1) an à compter de la date de l'achat. Bosch fournira une couverture de garantie portée à deux (2) ans si vous enregistrez votre produit dans les huit (8) semaines suivant la date de l'achat. La carte d'enregistrement du produit doit être complète et envoyée à Bosch (avec un cachet de la poste indiquant une date de moins de huit semaines après la date de l'achat), ou vous pouvez vous inscrire en ligne à [www.boschtools.com/Service/ProductRegistration](http://www.boschtools.com/Service/ProductRegistration). Si vous décidez de ne pas faire enregistrer votre produit, une garantie limitée d'un (1) an s'appliquera à votre produit

### **Remboursement ou remplacement du produit jusqu'à 30 jours -**

Si vous n'êtes pas complètement satisfait(e) par la performance de vos outils laser et de mesure pour quelque raison que ce soit, vous pouvez les rapporter à votre détaillant Bosch dans les 30 jours suivant la date de l'achat pour obtenir un remboursement intégral ou un remplacement. Pour obtenir ce remboursement du prix ou ce remplacement du produit jusqu'à 30 jours après l'achat, votre retour doit être accompagné par l'original du reçu correspondant à l'achat du produit laser ou de l'instrument optique. Un maximum de deux retours par client sera autorisé

LA SEULE OBLIGATION DU VENDEUR ET VOTRE SEUL REMÈDE en vertu de cette Garantie limitée et, dans la mesure où la loi le permet, de toute autre garantie ou condition légalement implicite, seront la réparation ou le remplacement à titre gratuit des pièces qui seront jugées défectueuses pour cause de vice de matériau ou de fabrication et qui n'auront pas été utilisées de façon abusive, manipulées sans précautions ou réparées incorrectement par des personnes autres que le Vendeur ou un Centre de service après-vente agréé. Pour vous prévaloir de la présente Garantie limitée, vous devez retourner la totalité de l'outil laser ou de l'outil de mesure Bosch, en port payé, à un Centre de service après-vente usine ou à un centre de service après-vente agréé de BOSCH. Veuillez inclure un justificatif d'achat dûment daté avec votre outil. Pour trouver les adresses des centres de service après-vente, veuillez utiliser notre guide en ligne service locator. ou téléphoner au 1-877-267-2499.

CE PROGRAMME DE GARANTIE NE S'APPLIQUE PAS AUX TRÉPIEDS OU AUX MIRES DE NIVELLEMENT.

Robert Bosch Tool Corporation (« Vendeur ») garantit les trépieds et les mires de nivellement pendant une période d'un (1) an à compter de la date de l'achat.

CETTE GARANTIE LIMITÉE NE S'APPLIQUE PAS À D'AUTRES ACCESSOIRES ET ARTICLES COMPLÉMENTAIRES. CES DERNIERS BÉNÉFICIENT D'UNE GARANTIE LIMITÉE DE 90 JOURS.

Pour vous prévaloir de la présente Garantie limitée, vous devez retourner la totalité du produit en port payé. Pour plus de détails sur le recours à la présente Garantie limitée, veuillez visiter [www.boschtools.com](http://www.boschtools.com) ou téléphoner au 1-877-267-2499.

LA DURÉE DE TOUTE GARANTIE IMPLICITE SERA LIMITÉE À UN AN À COMPTER DE LA DATE DE L'ACHAT. COMME CERTAINS ÉTATS AUX ÉTATS-UNIS ET CERTAINES PROVINCES AU CANADA NE PERMETTENT PAS DE LIMITATIONS SUR LA DURÉE D'UNE GARANTIE IMPLICITE, LA LIMITATION CI-DESSUS NE S'APPLIQUE PEUT-ÊTRE PAS À VOUS.

LE VENDEUR NE SERA EN AUCUN CAS RESPONSABLE POUR TOUS DOMMAGES INDIRECTS OU SECONDAIRES (Y COMPRIS, MAIS SANS LIMITATION, LA RESPONSABILITÉ AU TITRE DE LA PERTE DE BÉNÉFICES) RÉSULTANT DE LA VENTE OU DE L'EMPLOI DE CE PRODUIT. COMME CERTAINS ÉTATS AUX ÉTATS-UNIS ET CERTAINES PROVINCES AU CANADA NE PERMETTENT PAS L'EXCLUSION OU LA LIMITATION DE LA RESPONSABILITÉ POUR DOMMAGES INDIRECTS OU SECONDAIRES, LA LIMITATION CI-DESSUS NE S'APPLIQUE PEUT-ÊTRE PAS À VOUS.

CETTE GARANTIE LIMITÉE VOUS CONFÈRE DES GARANTIES JURIDIQUES PARTICULIÈRES, ET VOUS POUVEZ AUSSI AVOIR D'AUTRES DROITS, QUI VARIENT D'UN ÉTAT À L'AUTRE AUX ÉTATS-UNIS, D'UNE PROVINCE À L'AUTRE AU CANADA OU D'UN PAYS À L'AUTRE.

CETTE GARANTIE LIMITÉE NE S'APPLIQUE QU'AUX PRODUITS VENDUS AUX ÉTATS-UNIS D'AMÉRIQUE, AU CANADA ET À PORTO RICO. CONTACTEZ VOTRE DISTRIBUTEUR OU IMPORTATEUR BOSCH POUR OBTENIR DES INFORMATIONS SUR LA COUVERTURE DE LA GARANTIE DANS LES AUTRES PAYS.

## Nomas generales de seguridad



**ADVERTENCIA** Lea todas las instrucciones. Si no se siguen todas las instrucciones que aparecen a continuación, el resultado podría ser exposición a radiación peligrosa, descargas eléctricas, incendio y/o lesiones graves. La expresión “herramienta de medición, detección y disposición” en todas las advertencias que aparecen a continuación se refiere a su herramienta de medición, detección y disposición alimentada por la red eléctrica (alámbrica) o su herramienta de medición, detección y disposición alimentada por baterías (inalámbrica).

GLL 150 E



3 601 K63 K80  
4 x AA 1.5V

Assembled in China (177)  
Robert Bosch Tool Corp.  
Mount Prospect, IL



**2** IEC 60825-1:2007-03 Max Output <1 mW @ 640 nm

Laser Radiation. Do not stare into the beam. Class 2 Laser product. Complies with 21 CFR 1040.10 and 1040.11 except for deviations pursuant to Laser Notice 50, 6/24/2007

Radiación Láser. No mire al rayo. Producto láser de Clase 2. Cumple con las normas 21 CFR 1040.10 y 1040.11, excepto por las desviaciones conforme al Aviso para láseres 50 del 24 de junio de 2007

Rayonnement laser. Ne regardez pas directement dans le faisceau. Produit laser de Classe 2. Conforme à 21 CFR 1040.10 et 1040.11, sauf pour les écarts suivant l'Avis laser 50, 24/6/2007



**No dirija el rayo láser hacia personas o animales y no mire al rayo láser usted mismo.** Esta herramienta produce radiación láser de clase 2 y cumple con las normas 21 CFR 1040.10 y 1040.11, excepto por las desviaciones conformes al Aviso sobre láser No. 50, de fecha 24 de junio de 2007. Esto puede causar ceguera en las personas.

**NO retire ni desfigure ninguna etiqueta de advertencia o de precaución.** Si se retiran las etiquetas, se aumenta el riesgo de exposición a radiación láser.

**La utilización de controles o ajustes, o la realización de procedimientos que no sean los especificados en este manual, puede causar exposición a radiación peligrosa.**

**Asegúrese SIEMPRE de que todas las personas que se encuentren en la vecindad del lugar de uso conozcan los peligros de mirar directamente al láser.**

**NO coloque la herramienta en una posición que pueda hacer que alguien mire al rayo láser de manera intencional o accidental.** El resultado podría ser lesiones graves en los ojos.

**Posicione SIEMPRE la herramienta láser de manera segura.** Podrían ocurrir daños a la herramienta láser y/o lesiones graves al usuario si la herramienta láser se cae.

**Utilice SIEMPRE sólo los accesorios que estén recomendados por el fabricante de su herramienta.** La utilización de accesorios que han sido designados para uso con otras herramientas láser podría producir lesiones graves o un rendimiento insatisfactorio.

**NO utilice esta herramienta para propósitos que no sean los indicados en este manual.** Si lo hace, el resultado podría ser lesiones graves o un rendimiento insatisfactorio.

**NO deje la herramienta láser “ENCENDIDA” desatendida en ningún modo de funcionamiento.**

**NO desarme la herramienta.** En su interior no hay piezas reparables ni reemplazables por el usuario. No modifique el producto de ninguna manera. Si se modifica la herramienta, el resultado podría ser exposición a radiación láser peligrosa.

### GUARDE ESTAS INSTRUCCIONES

## Seguridad en el área de trabajo

**Mantenga el área de trabajo limpia y bien iluminada.** Las áreas desordenadas u oscuras invitan a que se produzcan accidentes.

**NO utilice la herramienta láser cerca de niños ni deje que los niños utilicen la herramienta láser.** El resultado podría ser lesiones graves en los ojos.

NO utilice herramientas de medición, aditamentos ni accesorios al aire libre cuando se encuentren presentes condiciones en que haya rayos.

## Seguridad eléctrica

Las baterías pueden explotar o tener fugas y causar lesiones o incendios. Para reducir este riesgo, siga siempre todas las instrucciones y advertencias que están en la etiqueta y en el paquete de las baterías.

Retire las baterías de la herramienta cuando no la vaya a utilizar durante períodos prolongados. Cuando se almacenan durante períodos prolongados, las baterías se pueden corroer y descargarse a sí mismas.

NO haga cortocircuito en los terminales de las baterías.

NO cargue baterías alcalinas.

NO mezcle baterías viejas y nuevas. Reemplace todas las baterías viejas al mismo tiempo con baterías nuevas de la misma marca y del mismo tipo.

NO mezcle las químicas de las baterías.

Deseche o recicle las baterías de acuerdo con el código local.

Mantenga las baterías fuera del alcance de los niños.

## Seguridad personal

Manténgase alerta, fíjese en lo que está haciendo y use el sentido común cuando opere una herramienta. No utilice una herramienta mientras esté cansado o bajo la influencia de las drogas, el alcohol o medicamentos. Un momento de descuido mientras se utiliza una herramienta puede causar lesiones personales graves o resultados de medición incorrectos.

Use equipo de seguridad. Use siempre protección de los ojos. El equipo de seguridad, tal como una máscara antipolvo, zapatos de seguridad antideslizantes, casco o protección de la audición, utilizado para las condiciones

apropiadas, reducirá las lesiones corporales.

NO utilice los anteojos de visión láser como anteojos de seguridad. Los anteojos de visión láser se utilizan para mejorar la visualización del rayo láser, pero no protegen contra la radiación láser.

NO utilice los anteojos de visión láser como lentes de sol o en tráfico. Los anteojos de visión láser no ofrecen protección completa contra los rayos UV y reducen la percepción de los colores.

NO use herramientas ópticas, tales como, pero no limitadas a, telescopios o telescopios meridianos, para ver el rayo láser. El resultado podría ser lesiones graves en los ojos.

NO mire directamente al rayo láser ni proyecte el rayo láser directamente a los ojos de otras personas. El resultado podría ser lesiones graves en los ojos.

Tenga precaución cuando utilice herramientas de medición en las proximidades de peligros eléctricos.

## Imanes

No coloque el aparato de medición ni la tablilla reflectante cerca de personas que utilicen un marcapasos. Los imanes del aparato de medición y de la tablilla reflectante producen un campo magnético que puede perturbar el funcionamiento de los marcapasos.



Mantenga alejados el aparato de medición y la tablilla reflectante de los soportes de datos magnéticos y de los aparatos sensibles a los campos magnéticos. Los imanes del aparato de medición y de la tablilla reflectante pueden provocar una pérdida de datos irreversible.

## Información sobre el ruido

¡No sostenga la herramienta de medición cerca del oído! ¡No sostenga la herramienta de medición a menos de 1 metro del oído cuando use el volumen alto! El nivel de presión sonora con ponderación A de la señal de audio a un



metro de distancia es 75-85 db (A). El resultado podría ser lesiones graves.

## Uso y cuidado

Use la herramienta correcta para la aplicación que vaya a realizar. La herramienta correcta hará el trabajo mejor y de manera más segura.

No utilice la herramienta si el interruptor no la enciende y apaga. Cualquier herramienta que no se pueda controlar con el interruptor es peligrosa y debe ser reparada.

Cuando no esté utilizando la herramienta, almacénela fuera del alcance de los niños y no deje que las personas que no estén familiarizadas con ella o con estas instrucciones utilicen la herramienta. Las herramientas son peligrosas en las manos de los usuarios que no hayan recibido capacitación.

Mantenga las herramientas. Compruebe si hay piezas desalineadas o que se atoren, si hay piezas rotas y si existe cualquier otra situación que pueda afectar al funcionamiento. Si la herramienta está dañada, se debe reparar antes de utilizarla. Si la herramienta está dañada, debe ser reparada por el centro de servicio Bosch autorizado antes de seguir usándola. Muchos accidentes son causados por herramientas de medición, detección y disposición mal mantenidas.

Utilice la herramienta, los accesorios, etc., de acuerdo con estas instrucciones y de la manera prevista para el tipo específico de herramienta, teniendo en cuenta las condiciones de trabajo y el trabajo que se vaya a realizar. El uso de la herramienta para realizar operaciones distintas a las previstas podría causar una situación peligrosa.

### Servicio

Haga que su herramienta reciba servicio de ajustes y reparaciones por un técnico de reparaciones calificado, utilizando únicamente piezas de repuesto idénticas. Esto asegurará que se mantenga la seguridad de la herramienta.

Desarrolle un programa de mantenimiento periódico para su herramienta.

Siga los procedimientos de comprobación de la recalibración que se describen en este manual de instrucciones. Cuando limpie una herramienta, tenga cuidado de no desarmar ninguna de sus partes, ya que los cables internos se podrían colocar incorrectamente o pellizcar, o se podrían montar incorrectamente. Ciertos agentes de limpieza, tales como gasolina, tetracloruro de carbono, amoníaco, etc., pueden dañar las piezas de plástico.

**GUARDE ESTAS INSTRUCCIONES**

## Uso previsto

La herramienta está diseñada para determinar y comprobar el nivel.

## Preparation

### Inserción y cambio de la pila

**⚠️ ADVERTENCIA** Reemplace siempre todas las baterías al mismo tiempo. Utilice únicamente baterías de una marca y con capacidad idéntica.

**Retire las baterías de la herramienta cuando no la vaya a utilizar durante períodos prolongados.** Cuando se almacenan durante períodos prolongados, las baterías se pueden corroer y descargarse a sí mismas.

Se recomiendan baterías alcalinas para la herramienta.

Para abrir el compartimiento de las baterías **6**, deslice el pestillo **5** en el sentido de la flecha

y doble la tapa de las baterías hacia arriba. Inserte las baterías.

Cuando inserte las baterías, preste atención a la polaridad correcta de acuerdo con la representación ubicada en el interior de la tapa de las baterías.

Las baterías se debilitan cuando quedan aproximadamente 6 horas de vida útil de las mismas. Láser parpadeante – (ENCENDIDO 0,2 s y APAGADO 0,2 s durante un período de 30 segundos, y luego ENCENDIDO hasta que la batería se agote, se repite en el arranque inicial).

## Características

La numeración de las características del producto que se muestra se refiere a la ilustración de la herramienta que aparece en la página de gráficos.

- 1 Abertura de salida para el rayo láser
- 2 Interruptor de encendido y apagado
- 3 Montura de trípode de 5/8 de pulgada-11
- 4 Montura de trípode de 1/4 de pulgada-20
- 5 Pestillo de la tapa de las baterías
- 6 Tapa de las baterías

- 7 Etiqueta de advertencia del láser
- 8 Número de serie
- 9 Placa de objetivo láser\*
- 10 Receptor láser (LR 3)
- 11 Abrazadera para varillas
- 12 Anteojos para ver el láser\*
- 13 Trípode (BT 152)
- 14 Varilla de nivelación (GR 8 C)

\*Los accesorios ilustrados o descritos no se incluyen como entrega estándar.

## Datos Técnicos

Radio de alcance en el eje X	3 pies en 196 pies (1 m en 60 m) Eje X (modo de alcance estándar en el LR 3)
Radio de alcance en el eje Y	3 pies en 65 pies (1 m en 20 m) Eje Y (modo de alcance estándar en el LR 3)
Radio de alcance en el eje X	66 pies en 260 pies (20 m en 80 m) Eje X (modo de alcance largo en el LR 3)
Radio de alcance en el eje Y	66 pies en 260 pies (20 m en 80 m) Eje Y (modo de alcance largo en el LR 3)
Alcance de autonivelación (típico)	± 4 grados
Advertencia de desnivelación	Láser parpadeante (ENCENDIDO 3.0 s, APAGADO 0.5 s)
Base de nivelación manual	No requerida
Funcionamiento de nivel en pendiente	Sí
Cierre de transporte del péndulo	Sí
Advertencia de baterías bajas	Cuando queden aproximadamente 6 horas de vida útil de las baterías. Láser parpadeante – (ENCENDIDO 0,2 s y APAGADO 0,2 s durante un período de 30 segundos, y luego ENCENDIDO hasta que se agote la batería, se repite en el arranque inicial)
Montura	1/4-20 y 5/8-11
Autoapagado	15 min. si no está nivelado, no se produce si está nivelado
Calibración	Servicio local a través de los 2 puertos de servicio ubicados en el producto
Calificación IP	IP55

Tipo de baterías	4 pilas alcalinas AA
Vida útil de las baterías	50 horas
Clase de seguridad	2
Diodo láser	635 nm
Anchura del rayo	0.2 pulgada en 33 pies (5 mm en 10 m), 100 lux, 68° F a -13° F (20° C a 25° C)
Temperatura de funcionamiento	14° F a 122° F (-10° C a 50° C)
Precisión del nivel	3/16 pulgada en 100 pies (4.5 mm en 30 m)
Precisión fuera de línea	±3/16 pulg. en 33 pies (±3.0 mm en 10 m)
Accesorios	Detector láser con soporte, maletín
Control remoto	N/A
Tipo	Cono

1) El alcance de trabajo puede ser reducido por las condiciones ambientales desfavorables (por ejemplo, radiación solar directa).

Sírvase fijarse en el número de artículo ubicado en la placa de tipo de su herramienta. Los

nombres comerciales de las herramientas individuales pueden variar.

La herramienta se puede identificar claramente con el número de serie 8 ubicado en la placa de tipo.

## Operación

Siempre se debe realizar una comprobación de la precisión antes de usar la herramienta.

**⚠ ADVERTENCIA** Proteja la herramienta contra la humedad y la luz solar directa.

**No someta la herramienta a temperaturas extremas ni variaciones de temperatura.**

**Como ejemplo, no deje la herramienta en vehículos durante períodos más largos.**

**En el caso de variaciones grandes de temperatura, deje que la herramienta se ajuste a la temperatura ambiente antes de ponerla en funcionamiento.** En el caso de temperaturas extremas o variaciones de temperatura, la precisión de la herramienta puede resultar afectada.

**Evite los impactos fuertes o dejar caer la herramienta.** Después de un impacto exterior fuerte en la herramienta, se debe realizar siempre una comprobación de la precisión antes de continuar el trabajo (consulte "Precisión de la nivelación").

**Tenga apagada la herramienta durante el transporte.** Al apagar la herramienta, la unidad niveladora, que puede resultar dañada en el caso de un movimiento intenso, queda bloqueada.

### Encendido y apagado

Para **encender** la herramienta, deslice el interruptor de encendido y apagado **2** hasta la posición de "encendido". Inmediatamente después de encender la herramienta, ésta envía rayos láser por la abertura de salida **1**.

**⚠ PRECAUCIÓN** **Alinee la flecha del interruptor de ENCENDIDO y APAGADO directamente debajo de la posición de ENCENDIDO.** Si el interruptor de ENCENDIDO y APAGADO no se acopla completamente, el dispositivo de autonivelación no se activará y la línea láser estará desnivelada.

Para **apagar** la herramienta, deslice el interruptor de encendido y apagado **2** hasta la posición de "apagado". Al apagar la herramienta, la unidad de nivelación queda bloqueada.

**▲ ADVERTENCIA** No apunte del rayo láser hacia personas o animales y no mire usted mismo hacia el rayo láser, ni tan siquiera desde larga distancia.

No deje desatendida la herramienta mientras esté encendida y apague la herramienta después de usarla.

## Modos de funcionamiento

La herramienta tiene un modo de funcionamiento:

- Funcionamiento horizontal: genera un plano láser horizontal pulsado.

Después de encender la herramienta, ésta está en funcionamiento horizontal.

## Función de pulso

Para trabajar con el receptor láser **10**, la función de pulso siempre está activada.

Con la función de pulso, las líneas láser parpadean a una frecuencia muy alta y por lo tanto se vuelven detectables por el receptor láser **10**.

## Nivelación automática

### Trabajo con nivelación automática

Posicione la herramienta sobre un soporte nivelado y firme, montándola en el trípode **13**.

Presione el interruptor de encendido y apagado **2** hasta la posición de “encendido”.

Después de encender la herramienta, la función de nivelación compensa automáticamente las irregularidades dentro del alcance de autonivelación de  $\pm 4^\circ$ . La nivelación se termina en cuanto los rayos láser ya no se mueven más.

Si la nivelación automática no es posible, por ej., debido a que la superficie sobre la cual se encuentra la herramienta se desvía más de  $4^\circ$  del plano horizontal, las líneas láser comienzan a parpadear rápidamente.

Coloque la herramienta en posición nivelada y espere a que la autonivelación tenga lugar. En cuanto la herramienta esté dentro del alcance de autonivelación de  $\pm 4^\circ$ , el rayo láser se iluminará continuamente.

En el caso de vibraciones del terreno o cambios de posición durante la utilización, la herramienta es renivelada automáticamente. Para evitar errores, compruebe la posición de la línea láser horizontal con respecto al punto de referencia después de la renivelación.

## Operación sin nivelación automática

Posicione la herramienta, de modo que ésta no puede auto-nivel. Si se desactiva la nivelación automática los líneas láser parpadean lentamente durante 30 s.

Con la nivelación automática desconectada es posible mantener sujeto el aparato de medición con la mano o depositarlo sobre una base inclinada. En la modalidad de línea en cruz puede ocurrir que ambas líneas láser no queden perpendiculares entre sí.

## Consejos de trabajo

**▲ PRECAUCIÓN** Utilice siempre el centro del rayo láser para marcar. El tamaño del punto láser cambia con la distancia.

## Precisión de nivelación

### Influencias en la precisión

La temperatura ambiente tiene la mayor influencia. Especialmente las diferencias de temperatura que ocurren desde el terreno hacia arriba pueden desviar el rayo láser.

Como la diferencia más grande en capas de temperatura está cerca del terreno, la herramienta se debe montar siempre en un trípode cuando las distancias excedan los 20 m. Si es posible, coloque también la herramienta en el centro del área de trabajo.

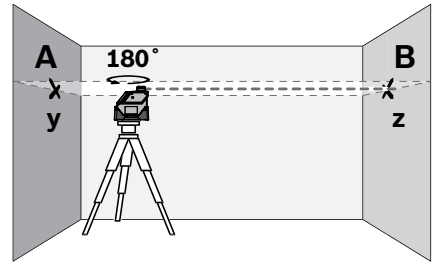
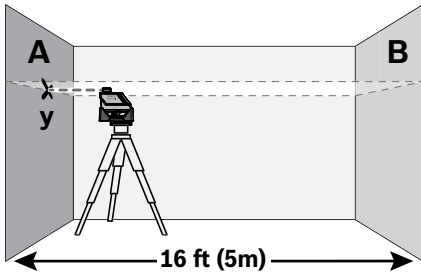
Aparte de las influencias exteriores, las influencias específicas sobre el dispositivo

(tales como un impacto fuerte o una caída) pueden causar desviaciones. Por lo tanto, compruebe la precisión de la herramienta cada vez antes de comenzar su trabajo.

Si la herramienta excede la desviación máxima durante una de las pruebas, sírvase hacer que sea reparada por un servicio posventa Bosch.

### Comprobación de la precisión de la nivelación horizontal.

Se requiere una distancia de medición libre de 16 pies sobre una superficie firme delante de dos paredes A y B para realizar la comprobación.



- Monte la herramienta en un trípode o colóquela sobre una superficie firme y nivelada cerca de la pared A. Encienda la herramienta.
- Dirija el láser contra la pared cercana A y deje que la herramienta se nivele. Marque un punto en ambas paredes donde el láser lo indique (punto 'y'). Marque el centro del rayo láser en la pared (en el punto 'y' y el punto 'z').

- Gire la herramienta 180° y deje que se nivele. La línea láser debería indicar el mismo punto dentro de las tolerancias de las especificaciones del producto.

## Utilice con Base

### Trabajo con la placa de objetivo

La placa de objetivo láser **9** aumenta la visibilidad del rayo láser bajo condiciones desfavorables y a largas distancias.

La parte reflejante de la placa de objetivo láser **9** mejora la visibilidad de la línea láser. Debido a la transparencia, la línea láser también es visible desde el lado trasero de la placa de objetivo láser.

### Trabajó con el trípode (accesorio opcional)

Un trípode ofrece un soporte de medición estable de altura ajustable. Posicione la herramienta con la montura de trípode de 1/4-20 **4** sobre la rosca de un trípode de cámara disponible comercialmente o emplee el método preferido, que es montarla en un trípode de construcción, usando la montura de trípode de 5/8-11 **3**. Apriete la herramienta con el espárrago de montaje del trípode.

### Anteojos para ver el láser (accesorio opcional)

Los anteojos para ver el láser filtran la luz ambiente. Esto hace que la luz roja del láser parezca más brillante para los ojos.

**ADVERTENCIA** **No utilice los anteojos para ver el láser como anteojos de seguridad.** Los anteojos para ver el láser se utilizan para brindar una mejor visualización del rayo láser, pero no protegen contra la radiación láser.

**No utilice los anteojos para ver el láser como lentes de sol o en tráfico.** Los anteojos para ver el láser no brindan protección completa contra los rayos UV y reducen la percepción de los colores.

### Ejemplos de trabajo (vea las figuras A-H)

En las páginas de gráficos se pueden encontrar ejemplos de aplicaciones para la herramienta.

# El detector electrónico de líneas láser LR 3



Fig. 1

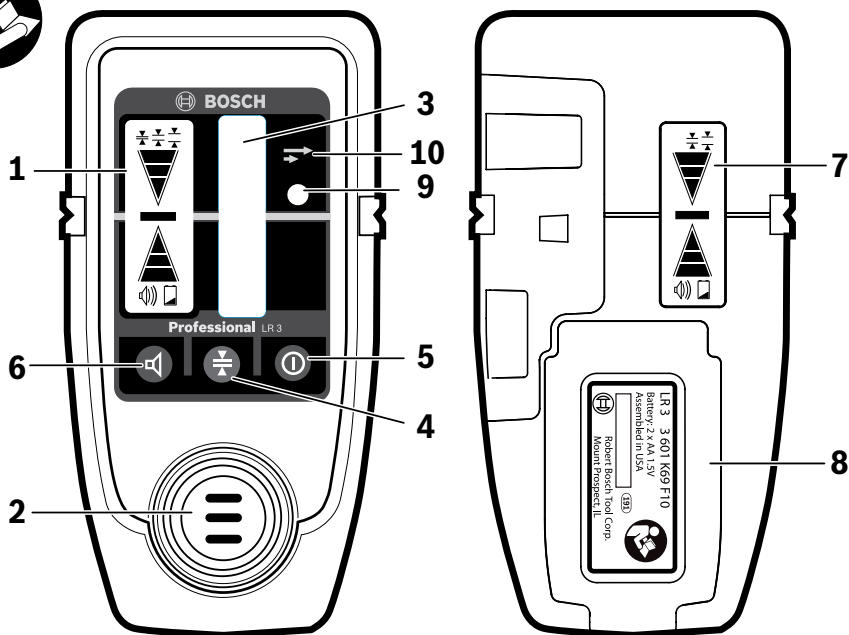


Fig. 2

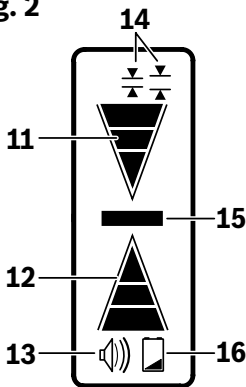


Fig. 6

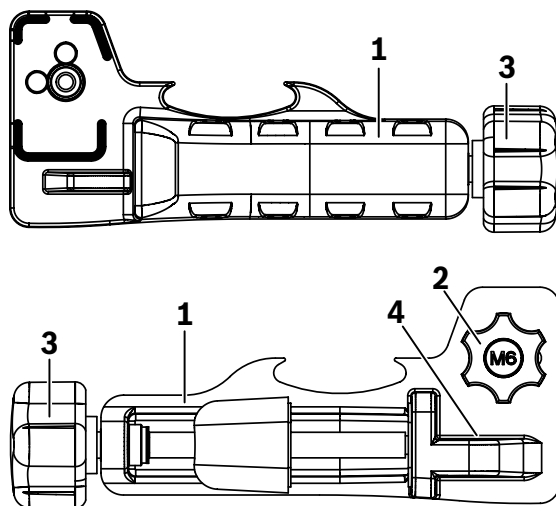


Fig. 3

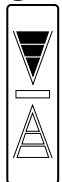


Fig. 4

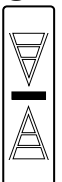
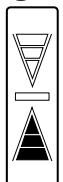


Fig. 5



## Uso previsto

El detector electrónico de líneas láser Bosch ayuda a localizar y apuntar un rayo visible o invisible emitido por un láser de líneas pulsado; es perfecto para uso en condiciones interiores, donde la luz solar y la distancia pueden hacer que sea más difícil localizar el rayo. El detector láser incluye una abrazadera de varilla que permite montar el detector sobre varillas de mira cuadradas, redondas u ovaladas.

## Características del LR 3

La numeración de las características del producto que se muestra se refiere a la ilustración de la herramienta que aparece en la página de gráficos **11 (Fig. 1)**.

- 1 Ventana de lectura de LCD
- 2 Parlante
- 3 Ventana de captura del rayo
- 4 Selección de la resolución del ancho de banda
- 5 ENCENDIDO Y APAGADO
- 6 Volumen APAGADO/SUAVE /ALTO
- 7 Ventana de lectura de LCD trasera
- 8 Puerta de las baterías
- 9 Luz LED indicadora del extensor del alcance
- 10 Botón de la característica de extensor del alcance

### Pantalla LCD (Fig. 2)

- 11 Flecha superior
- 12 Flecha inferior

- 13 Volumen del parlante
- 14 Indicadores de la resolución del ancho de banda
- 15 Rayo de nivel
- 16 Indicador de baterías bajas

### Alimentación eléctrica

Dos baterías AA proporcionarán hasta 30 horas de uso continuo. Cuando se encienda el instrumento y el símbolo de baterías bajas permanece encendido, se debe reemplazar la batería.

### Instalación y remoción de las pilas

Para reemplazar las pilas, retire la abrazadera para varillas (**fig. 6 #1**) del detector, girando el pomo ubicado (**fig. 6 #2**) en dicha abrazadera para varillas. Abra la puerta del compartimiento de las pilas (**fig. 1 #8**) jalando el pestillo.

Instale las pilas con la polaridad correcta, tal y como se indica en la Figura 1. Cierre la puerta del compartimiento de las pilas y acople el pestillo.

## Utilización del LR 3

- Para instalar la abrazadera para varillas (**fig. 6 #1**) en el detector, alinee los salientes ubicados en dicha abrazadera para varillas con los entrantes correspondientes ubicados en la parte trasera del detector y apriete el pomo (**fig. 6 #2**). Para retirar la abrazadera para varillas (**fig. 6 #1**) del detector, desenrosque completamente el pomo (**fig. 6 #2**).
- Para sujetar la abrazadera para varillas (**fig. 6 #1**) a la varilla niveladora **14**, afloje el pomo ubicado (**fig. 6 #3**) en la abrazadera para varillas (**fig. 6 #1**), deslice dicha abrazadera para varillas sobre la varilla niveladora **14** hasta la ubicación deseada y apriete el pomo (**fig. 6 #3**). Se puede utilizar un nivel de burbuja (**fig. 6 #4**) para nivelar aproximadamente la varilla niveladora.

Ajuste la posición de la varilla niveladora hasta que la burbuja del nivel (**fig. 6 #4**) esté dentro del círculo.

**⚠ ADVERTENCIA** Use protección de los ojos. Si el nivel de burbuja de aire tiene fugas, absorba dichas fugas con el material absorbente adecuado y deséchelas de manera segura. El nivel de burbuja de aire contiene líquido inflamable que puede causar irritación de las vías respiratorias, los ojos y la piel.

- Apague el instrumento presionando el botón de ENCENDIDO Y APAGADO ubicado en el teclado. Los símbolos LCD se iluminarán por un momento y la unidad emitirá un pitido. El indicador de banda ancha Grueso y el indicador de volumen suave permanecerán iluminados.

- Exponga la ventana de captura del rayo del detector láser hacia el sentido de la línea de láser pulsado.
- Mueva lentamente el detector láser en dirección hacia arriba y hacia abajo hasta que las flechas del indicador de rayo LCD aparezcan y/o se oiga una señal de audio pulsante. Utilice la función de selección de la resolución del ancho de banda para elegir entre el ajuste Fino y el Grueso. El ajuste de resolución Grueso es para aproximar el nivel o para la localización inicial del punto de nivel central. El ajuste de resolución Fino se utiliza para la localización más precisa del nivel.
- Mueva el detector hacia arriba cuando el icono de flecha inferior esté iluminado (Fig. 5) (con el volumen encendido, se oirá un tono de audio pulsante lento). Mueva el detector hacia abajo cuando el icono de flecha superior esté iluminado (Fig. 3) (con el volumen encendido, se oirá un tono de audio pulsante rápido). Cuando la línea esté nivelada, el indicador de línea láser del nivel se iluminará (Fig. 4) (con el volumen encendido, se oirá un tono de audio rápido).

Si el detector no es alcanzado por un rayo láser después de 4 a 6 minutos, el detector se apagará a sí mismo automáticamente para prolongar la vida útil de las baterías. Encienda de nuevo el instrumento utilizando el botón de alimentación.

**Nota:** El detector sólo funcionará cuando el instrumento esté en el modo de pulso.

**El GLL 150 E está siempre en el modo de pulso.**

El diseño del detector LR 3 es una innovación en el mercado. El detector se puede cambiar entre los modos de alcance estándar y largo, con lo cual se activan capacidades de distancia extendida para todos los GLL 150 E y se reduce el problema de la “dispersión” asociada al uso a corta distancia de los láseres de líneas.

Cuando se utiliza con el láser exterior GLL 150 E, el receptor LR 3 permite utilizar el instrumento en un área de trabajo de hasta 530 pies (160 m) de diámetro. En el modo estándar, la combinación de GLL 150 E y LR 3 tendrá el patrón elíptico típico de los láseres cónicos con un radio de alcance máximo de 196 pies (60 m) y un alcance mínimo de 65 pies (20 m) a lo largo del eje Y; el modo de alcance largo permite un área de trabajo con un radio circular de 265 pies (80 m).

El área designada por el círculo **DISCONTINUO** es el área de trabajo en el MODO DE ALCANCE LARGO.

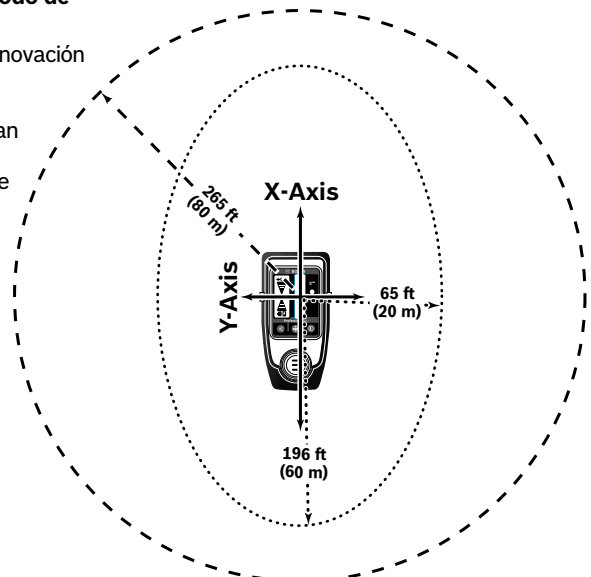
El área designada por el elipsoide **DE PUNTOS** es el área de trabajo en el MODO DE ALCANCE ESTÁNDAR.

### Función de alcance extendido

El receptor LR 3 revierte de manera prestablecida a su modo de funcionamiento estándar y se debe utilizar en dicho modo para la mayoría de proyectos de nivelación. Si el operador está teniendo dificultades para recibir una lectura a distancias extendidas, indicado por dificultad en localizar la barra central (más de 20 metros o 65 pies), entonces se puede presionar el botón de alcance extendido (Fig. 1 No. 10) del detector y la luz LED se iluminará (Fig. 1 No. 9).

### Utilización a gran proximidad

Cuando se utilice el LR 3 a gran proximidad del láser (de 3 a 15 pies), se debe tener cuidado debido a la alta





sensibilidad del LR 3 y la dispersión causada por el cono, el vidrio, el polvo ubicado en el vidrio y los objetos circundantes. La detección a gran proximidad se debe validar contra los reflejos y la dispersión asegurándose de que ambas flechas direccionales estén en cualquiera de los dos lados de la barra central

(vea las **Fig. 3 a 5**). Esto se puede hacer moviendo el LR 3 hacia arriba y hacia abajo en relación a la barra central para localizar las flechas. No utilice el detector a menos de 3 pies del láser.

## Características específicas del LR 3

Los detectores láser tienen filtración electrónica incorporada para la luz solar brillante y la interferencia electromagnética. Tres patrones de audio diferenciados (alto, en rasante y bajo) ayudan a apuntar desde una distancia.

El detector LR 3 tiene tres selecciones de parlante (Apagado, Suave (~75 dB) y Alto (~85 dB)), medidas a 1 metro.

### Control del volumen de audio

Al presionar el botón de volumen (**Fig. 1 No. 6**), se hace que la unidad cicle a través de volumen apagado, volumen suave y volumen

alto. Después de cada pulsación del botón, el parlante emitirá un pitido para reconocer la pulsación del botón y luego emitirá un pitido de nuevo para mostrar el nivel del volumen.

Cuando el volumen esté apagado o se haya seleccionado volumen suave, habrá un pitido corto. Cuando el volumen sea alto, habrá un pitido de alta intensidad.

La pantalla de LCD del detector LR 3 tiene tres canales diferenciados de información, que indican la posición del detector en el plano de la luz láser.

## Cuidado de su detector láser

Este instrumento está sellado con una empaquetadura para brindar protección contra el agua y el polvo. Utilice un paño suave y seco para eliminar la suciedad o la humedad del instrumento antes de almacenarlo. No utilice benceno, diluyente de pintura ni otros solventes para limpiar el instrumento. Retire la batería antes de almacenar el instrumento a largo plazo.

## Datos técnicos del LR 3

**Nota:** Valores de sensibilidad basados en condiciones estándar con la mayoría de láseres; pueden variar ligeramente debido a la marca, el fabricante, el tamaño del rayo o las condiciones de trabajo.

Alcance	3 a 590 pies (1 a 180 m máximo) dependiendo de la fuente de láser, la orientación del láser y el alcance del LR 3 seleccionado.
En el modo de alcance estándar	la distancia de funcionamiento mínima es 1 m, la distancia de funcionamiento máxima es hasta 60 m hasta el GLL 150 E en orientaciones de 0 y 180 grados (eje X) hasta 20 m hasta el GLL 150 E en orientaciones de 90 y 270 grados (eje Y)
En el modo de alcance largo	la distancia de funcionamiento mínima es 20 m, la distancia de funcionamiento máxima es por lo menos 80 m hasta el GLL 150 E en todas las orientaciones

El LR 3 se enciende en el modo de alcance estándar.

Precisión	<p>En el modo de alcance estándar</p> <p>Fino &lt;= 0,05 pulgadas (1,5 mm) hasta 65 pies (20 m) seleccionable</p> <p>Grueso &lt;= 0,10 pulgadas (3,0 mm) hasta 65 pies (20 m) seleccionable</p> <p>In long range mode</p> <p>En el modo de alcance largo</p> <p>Fino &lt;= 0,05 pulgadas (1,5 mm) hasta 196 pies (60 m) seleccionable</p> <p>Grueso &lt;= 0,10 pulgadas (3,0 mm) hasta 196 pies (60 m) seleccionable</p> <p>Los modos Fino y Grueso son seleccionables con la almohadilla del interruptor.</p>
Luz brillante	Puede alcanzar 80 m en la orientación de 0 grados (eje X) hasta el GLL 150 E, siempre y cuando la luz solar directa no caiga en la ventana del detector, < 35 k Lux.
Luz fluorescente	No hay detecciones falsas a ninguna distancia desde una luz fluorescente o desde luces estroboscópicas.
Ángulo de recepción	± 30 grados
Volumen del zumbador	Entre 75 dB (A) y 85 dB (A) a 1 m
Lectura:	<p>LCD, ventanas delantera y trasera.</p> <p>Luz LED verde brillante en la almohadilla del interruptor para indicar modo de alcance largo.</p> <p>El zumbador da una indicación audible de la detección y la operación de la almohadilla del interruptor.</p> <p>El volumen y la función del zumbador son seleccionables con la almohadilla del interruptor.</p>
Autoapagado	<p>5 minutos después de la última detección o presione el botón.</p> <p>El zumbador pita una vez cuando la unidad se apaga.</p>
Tipo de baterías	2 pilas alcalinas AA
Vida útil de las baterías	>30 horas de funcionamiento continuo
Advertencia de baterías bajas	Indicador en la pantalla de LCD. Por lo menos 3 horas de advertencia de baterías bajas.
Calificación IP	IP55
Montura del soporte	M6
Dimensiones	6,6 x 3 x 1 pulgadas (AL x AN x P) (169 x 76 x 25 mm)

Sujeto a cambio sin previo aviso.

## Mantenimiento y servicio

**⚠ ADVERTENCIA** Solamente guarde y transporte el aparato demedida en el estuche de protección adjunto. Mantenga limpio siempre el aparato de medida. No sumerja el aparato de medición en agua ni en otros líquidos.

Limpiar el aparato con un paño húmedo y suave. No usar detergentes ni disolventes. Limpie con regularidad sobre todo el área en torno a la abertura de salida del láser, cuidando que no queden motas.

Si a pesar de los esmerados procesos de fabricación y control, el aparato de medida llegase a averiarse, la reparación deberá encargarse a un taller de servicio autorizado para herramientas eléctricas Bosch.

Al realizar consultas o solicitar piezas de repuesto, es imprescindible indicar siempre el nº de artículo de 10 dígitos que figura en la placa de características del aparato de medida.

En caso de una reparación, envíe el aparato en el estuche de protección.

## PROTECCIÓN AMBIENTAL

Recicle las materias primas y las baterías en lugar de desecharlas como desperdicios. La unidad, los accesorios, el empaquetamiento y las baterías usadas se deben separar para reciclarlos de manera respetuosa con el medio ambiente, de acuerdo con los reglamentos más recientes.



## GARANTÍA LIMITADA PARA PRODUCTOS DE HERRAMIENTAS LÁSER Y DE MEDICIÓN BOSCH

Robert Bosch Tool Corporation (el "Vendedor") garantiza, solamente al comprador original, que todas las herramientas láser y de medición Bosch estarán libres de defectos de material o de fabricación durante un período de un (1) año a partir de la fecha de compra. Bosch extenderá la cobertura de garantía a dos (2) años cuando usted registre su producto dentro del plazo de ocho (8) semanas a partir de la fecha de compra. La tarjeta de registro del producto debe ser completada y enviada por correo a Bosch (sellada por la oficina de correos dentro del plazo de ocho semanas después de la compra), o usted puede registrar su producto por Internet en

[www.boschtools.com/Service/ProductRegistration](http://www.boschtools.com/Service/ProductRegistration). Si decide no registrar su producto, al mismo se le aplicará una garantía limitada de un (1) año.

### Reembolso de devolución del dinero o reemplazo durante 30 días:

Si no está completamente satisfecho con el rendimiento de sus herramientas láser y de medición, por cualquier motivo, puede devolver el producto a su distribuidor Bosch dentro del plazo de 30 días a partir de la fecha de compra para obtener un reembolso completo o un reemplazo. Para obtener este reembolso o reemplazo dentro del plazo de 30 días, su devolución debe estar acompañada por el recibo de compra original del producto tipo láser o instrumento óptico. Se permitirá un máximo de 2 devoluciones por cliente.

LA OBLIGACIÓN EXCLUSIVA DEL VENDEDOR Y EL RECURSO EXCLUSIVO QUE USTED TIENE bajo esta Garantía Limitada y, en hasta donde la ley lo permita, cualquier garantía o condición implícita por ley, consistirán en la reparación o el reemplazo de las piezas, sin cargo, que presenten defectos de material o de fabricación y que no hayan sido utilizadas incorrectamente, manejadas descuidadamente o reparadas incorrectamente por personas que no sean el Vendedor o un Centro de Servicio Autorizado. Para presentar un reclamo bajo esta Garantía Limitada, usted debe devolver la herramienta láser o de medición Bosch completa, con el transporte prepagado, a cualquier Centro de Servicio de Fábrica o Centro de Servicio Autorizado BOSCH. Sírvase incluir un comprobante de compra fechado con su herramienta. Para averiguar las ubicaciones de los centros de servicio cercanos, sírvase usar nuestro localizador de servicio por Internet o llamar al 1-877-267-2499.

ESTE PROGRAMA DE GARANTÍA NO SE APLICA A LOS TRÍPODES NI A LAS VARILLAS. Robert Bosch Tool Corporation (el "Vendedor") garantiza los trípodes y las varillas niveladoras durante un período de un (1) año a partir de la fecha de compra.

ESTA GARANTÍA LIMITADA NO SE APLICA A OTROS ARTÍCULOS ACCESORIOS NI ARTÍCULOS RELACIONADOS. ESTOS ARTÍCULOS RECIBEN UNA GARANTÍA LIMITADA DE 90 DÍAS.

Para presentar un reclamo bajo esta Garantía Limitada, usted debe devolver el producto completo, con el transporte prepagado. Para obtener detalles con el fin de presentar un reclamo bajo esta Garantía Limitada, sírvase visitar [www.boschtools.com](http://www.boschtools.com) o llamar al 1-877-267-2499.

TODAS LAS GARANTÍAS IMPLÍCITAS ESTARÁN LIMITADAS EN DURACIÓN A UN AÑO A PARTIR DE LA FECHA DE COMPRA. ALGUNOS ESTADOS DE LOS EE.UU. Y ALGUNAS PROVINCIAS CANADIENSES NO PERMITEN LIMITACIONES EN CUANTO A LA DURACIÓN DE UNA GARANTÍA IMPLÍCITA, POR LO QUE ES POSIBLE QUE LA LIMITACIÓN QUE ANTECEDE NO TENGA APLICACIÓN EN EL CASO DE USTED.

EL VENDEDOR NO SERÁ RESPONSABLE EN NINGÚN CASO POR DAÑOS INCIDENTALES O EMERGENTES (INCLUYENDO PERO SIN ESTAR LIMITADOS A RESPONSABILIDAD POR PÉRDIDA DE UTILIDADES) QUE SURJAN DE LA VENTA DE ESTE PRODUCTO. ALGUNOS ESTADOS DE LOS EE.UU. Y ALGUNAS PROVINCIAS CANADIENSES NO PERMITEN LA EXCLUSIÓN NI LA LIMITACIÓN DE LOS DAÑOS INCIDENTALES O EMERGENTES, POR LO QUE ES POSIBLE QUE LA LIMITACIÓN QUE ANTECEDE NO TENGA APLICACIÓN EN EL CASO DE USTED.

ESTA GARANTÍA LIMITADA LE CONFIERE A USTED DERECHOS LEGALES ESPECÍFICOS Y ES POSIBLE QUE USTED TENGA TAMBIÉN OTROS DERECHOS QUE VARIAN DE UN ESTADO A OTRO EN LOS EE.UU. O DE UNA PROVINCIA A OTRA EN CANADÁ Y DE UN PAÍS A OTRO.

ESTA GARANTÍA LIMITADA SE APLICA SÓLO A LOS PRODUCTOS VENDIDOS EN LOS ESTADOS UNIDOS DE AMÉRICA, CANADÁ Y LA MANCOMUNIDAD DE PUERTO RICO. PARA OBTENER COBERTURA DE GARANTÍA EN OTROS PAÍSES, CONTACTE A SU DISTRIBUIDOR O IMPORTADOR BOSCH LOCAL.

© Robert Bosch Tool Corporation 1800 W. Central Road Mt. Prospect, IL 60056-2230  
Exportado por: Robert Bosch Tool Corporation Mt. Prospect, IL 60056-2230, E.U.A.  
Importado en México por: Robert Bosch, S.A. de C.V., Calle Robert Bosch No. 405, Zona Industrial,  
Toluca, Edo. de México, C.P. 50070, Tel. (722) 2792300