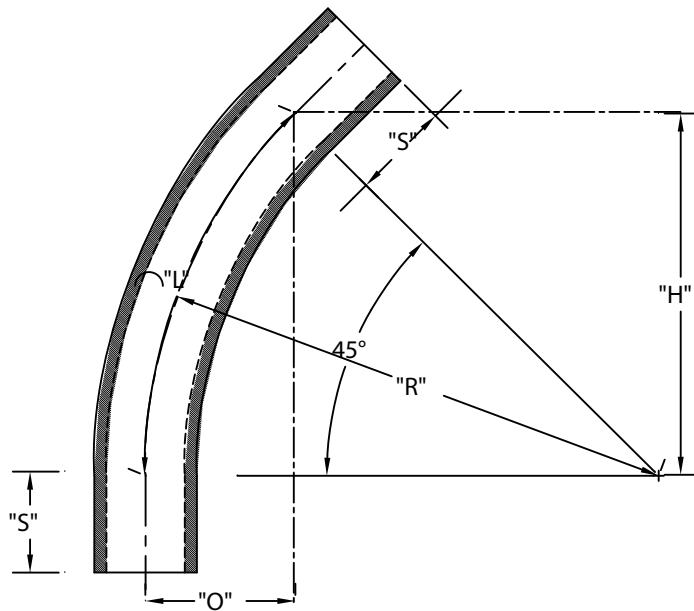


PART NUMBER	SIZE	"R"	"O"	"H"	"S" MIN	"B" MIN	"L"
5133763	1/2 "	4"	1 3/16 "	2 7/8 "	1 1/2 "	N/A	3 1/8 "
5133764	3/4 "	4 1/2 "	1 5/16 "	3 3/16 "	1 1/2 "	N/A	3 1/2 "
5133765	1"	5 3/4 "	1 11/16 "	4"	1 7/8 "	N/A	4 1/2 "
5133766	1 1/4 "	7 1/4 "	2 1/8 "	5 1/8 "	2"	N/A	5 11/16 "
5133767	1 1/2 "	8 1/4 "	2 3/8 "	5 7/8 "	2"	N/A	6 1/2 "
5133768	2"	9 1/2 "	2 13/16 "	6 3/4 "	2"	N/A	7 1/2 "
5133769	2 1/2 "	10 1/2 "	2 9/16 "	7 3/8 "	3"	N/A	8 1/4 "
5133770	3"	13"	3 13/16 "	9 3/16 "	3 1/8 "	N/A	10 1/4 "
5133771	3 1/2 "	15"	4 3/8 "	10 5/8 "	3 1/4 "	N/A	11 7/8 "
5133772	4"	16"	4 11/16 "	11 7/16 "	3 3/8 "	N/A	12 5/8 "
5133773	5"	24"	7"	17"	3 5/8 "	N/A	18 7/8 "
5133774	6"	30"	8 13/16 "	21 1/4 "	3 3/4 "	N/A	23 7/8 "



ETL LISTED  
 CONFORMS TO UL651  
 ETL CONTROL #3107144  
 CONFORMS TO NEMA TC3  
 SEE NEC ARTICLE 352 FOR USE  
 MATERIAL IS RIGID PVC  
 BEND TOLERANCE IS ±2°



**CANTEX**  
 INC.  
 Fort Worth, TEXAS

45° Elbows Plain End  
 Schedule 40 Standard Radius Elbows

Drawn By: CD Branch

Date: 10/15/07

Ref.