

# RESHAPING THE LANDSCAPE.

INTRODUCING THE CUB CADET  
LAWN & GARDEN LINE-UP 2019

THE ALL-NEW  
*ULTIMA SERIES*  
THE  
**BEST CUT**  
IN ITS CATEGORY





# BUILT FOR CANADIANS. SUPPORTED BY CANADIANS.

Engineered and built in North America, Cub Cadet® is the standard for Canadians who want products that are carefully, thoughtfully, and purposefully designed around people. When you buy a Cub Cadet® you're backed by our Canadian Advantage, which includes outdoor power equipment that is engineered and tested in Canada for Canadian conditions, bilingual customer service support, and a nationwide network of 1,100 Service Dealers, which includes your dealer.

## QUALIFIED AND SUPERIOR SUPPORT STAFF

As part of the Canadian Advantage, all Cub Cadet® owners benefit from experts that make for a 100% effortless experience.



**EQUIPMENT TESTED  
IN CANADA**



**TECHNOLOGY-TRAINED  
SUPPORT STAFF**



**BILINGUAL CUSTOMER  
SERVICE SUPPORT**



**1,100 SERVICE DEALERS IN  
OUR NATIONWIDE NETWORK**



**YOUR AUTHORIZED CUB CADET  
DEALER MAKES YOUR  
EXPERIENCE EVEN BETTER.**



# TABLE OF CONTENTS

XT Enduro Series™ Advantages .....	4
XT2 and XT3 Enduro Series™ Tractors .....	5
XT1 Enduro Series™ Tractors and Neighbourhood Rider .....	6
XT Enduro Attachments and Accessories .....	7
XT Enduro Selection Guide .....	8-9
Zero-turn Riders Advantages .....	10
Zero-Turn Riders .....	11
<b>NEW</b> Ultima® Series .....	12-13
Zero-Turn Attachments and Accessories .....	14
Pro Z Commercial Zero-Turn .....	15
Zero-Turn Selection Guide .....	16-17
Walk-Behind and Self-Propelled Mowers .....	18
Mowers Selection Guide .....	19
Chore Equipment .....	20-21
Challenger UTV .....	22-23



And they know equipment. They know how to take care of it and they know you. Cub Cadet® dealers are part of your community, locally owned and operated. You'll get exceptional financing, great offers and the expertise you can only find from professionals who sell and service Cub Cadet® equipment every day. Our dealers and customers have access to the strongest support in the Canadian industry.

# STRENGTH BUILT INTO EVERY DETAIL.

## XT ENDURO SERIES™ ADVANTAGES

- ▶ **Incredibly Responsive Handling**  
Steering system delivers optimized command and control for a comfortable ride
- ▶ **Standard in Comfort**  
Refined ergonomics
- ▶ **Advanced Cutting Performance**  
Muscular cutting system for durability and breakthrough bagging performance
- ▶ **Corrosion Defense System with E-coat**  
Best-in-class protection for amazing durability and appearance
- ▶ **Smooth and Simple Operation**  
Hydrostatic transmissions – no shifting, just push a pedal and go
- ▶ **Strongest Support in the Industry**  
Dedicated personal owner support
- ▶ **Strongest Warranty**  
Unlimited hours / 5-year chassis and front axle / 3-year and 4-year powertrain\*

### What It Means To Be a Cub Cadet-Certified Engine

Every engine used on our products must pass a rigorous certification process to assure it is built to the Cub Cadet standard of strength, high performance and premium quality.





## XT2 LX46 KW

"I picked this one up from a dealer a month ago and couldn't be more pleased with it! Handling is great and the mower deck cut is flawless. We'll see how this one performs over the next 20 years!"

Ontario, CA

CUSTOMER RATING ★★★★★



**DEALER EXCLUSIVE**



**DEALER EXCLUSIVE**



A sharper blade is better, but it doesn't have to be a hassle. Our FastAttach™ blade system requires no tools, and blades can be changed quicker than ever. Offered on the XT2 SLX and GX models.

## XT2 ENDURO SERIES™

- Cub Cadet EFI, Kohler® or Kawasaki® engine
- Keyless engine start (select models)
- Heavy duty front wheel bearings
- Durable Multi-Trac and Turf Master tire treads
- Front bumper and armrests (select models)
- Stronger battery power to ensure a quick start in all kinds of weather
- 3-year unlimited hours (including powertrain) + 5-year chassis and front axle unlimited hours/limited lifetime fabricated deck shell

WE RECOMMEND THESE CUB CADET ACCESSORIES:



Hauler

Bagger

Snow blade

## XT3 ENDURO SERIES™

- Automotive-style beltless direct drive shaft
- Cast-iron transmission and front axle
- Fully-welded steel frame
- Adjustable high-back seat with armrests
- Hydrostatic transmission and cruise control
- Advanced grip tires and heavy-duty steel front bumper on select models
- 4-year unlimited hours (including powertrain) + 5-year chassis and front axle unlimited hours/limited lifetime warranty on fabricated deck shell and drive shaft

WE RECOMMEND THESE CUB CADET ACCESSORIES:



Snow blower

Triple bagger

Fabricated deck



MAKING SERVICE AND REPAIR TO YOUR OUTDOOR POWER EQUIPMENT AN EASY TASK. WE'VE GOT YOU COVERED!

## USE GENUINE PARTS

VISIT YOUR LOCAL CUB CADET DEALER TO FIND OUT MORE!



## SIMPLY AWESOME

"Bought this mower last April, mowed all summer with it, put 50 hours on it. Powerhouse mower, smooth. Perfect cut every time. Could not be happier!"  
Kentucky, U.S.

CUSTOMER RATING ★★★★★



### XT1 ENDURO SERIES™

- ▶ Hydrostatic transmission
- ▶ Adjustable seating
- ▶ Comfort-grip steering
- ▶ LED headlights
- ▶ 3-year unlimited hours (including powertrain)  
+ 5-year warranty on chassis and front axle

WE RECOMMEND THESE  
CUB CADET ACCESSORIES:



## THE SIZE YOU NEED WITH THE POWER YOU WANT.

The Neighbourhood Rider delivers the same strength, durability and Cub Cadet Signature Cut™ as our larger riders; but in a more compact design. This rider is more than compact; it is comfortable, convenient and unmatched in quality.



### NEIGHBOURHOOD RIDER

- ▶ Convenient compact design
- ▶ Mow at your own pace. Automatically control your speed with the touch of the foot pedal
- ▶ Telescoping steering wheel accommodates any size operator
- ▶ Comfort from an ergonomically designed seat
- ▶ LED headlight
- ▶ Same Cub Cadet Signature Cut™ as our larger riders
- ▶ 3-year limited warranty



WE RECOMMEND THESE  
CUB CADET ACCESSORIES:



## ATTACHMENTS & ACCESSORIES

# REMARKABLE VERSATILITY.

Get more done season after season with a full line of attachments and accessories designed to make your XT Enduro Series™ tractor outperform all others. Here are a few popular choices:



### ► CUB CADET HAULER

Featuring four collapsible sides, the hauler can be folded flat for larger loads. Side access allows for easy unloading and 10 cu. ft. offers plenty of space. When folded flat, it takes up 70% less space than a typical cart.



TAKES  
**70%**  
LESS SPACE

**10** CU. FT.



### ► 3X™ 42" THREE-STAGE SNOW THROWER ATTACHMENT

Tackles the most challenging, deepest snow falls. Quickly and easily removes up to 18" of snow.



CLEAR  
**18"**  
OF SNOW



### ► BAGGER SYSTEMS

Enhance the Cub Cadet Signature Cut™ with breakthrough bagging performance. Twin and triple bagger options available to fit every tractor.



CC 30H, XT1, XT2 AND XT3  
XT2 AND XT3



### ► SNOW BLADES

Quick-adjust 46" snow blade easily changes from straight ahead to 25° for added versatility to clear snow and ice with ease.



**23°**  
BLADE  
ANGLE



### ► SUN SHADE

Mow in comfort with the spacious sun shade that fits all XT Series™ tractors. Durable tear-resistant fabric make this shade last for years.



SUN  
PROTECTION



TEAR-  
RESISTANT



### ► SNOW CAB

Stay out of the cold with the spacious snow cab that fits all XT Series™ tractors. This cab still has 360° visibility. And a strong powder-coated steel frame means it will last winter after winter.



**360°**  
VISIBILITY



WEATHER  
PROTECTION







	LT42 C	LX42 KH	LX42	LX46
<b>ENGINE</b>				
Cub Cadet certified engine	547cc Cub Cadet single cylinder OHV	22 HP Kohler® 7000 Series V-Twin OHV, 725cc	18 HP <b>Kawasaki</b> ® FR Series V-Twin OHV, 603cc	21.5 HP <b>Kawasaki</b> ® FR Series V-Twin OHV, 726cc
<b>MOWER DECK</b>				
Deck type	Stamped	Stamped		
Cutting width / blades	42" / twin blade	42" / twin blade	46" / twin blade	
Deck cutting height	1" - 4"	1" - 4"		
Anti-scalping wheels (front / rear)	2 ball / 2 narrow	2 ball / 2 narrow		
Deck attach / removal	QuickAttach™	QuickAttach™		
Deck wash	Patented SmartJet™ high-pressure deck washing system	Patented SmartJet™ high-pressure deck washing system		
<b>POWER SYSTEM</b>				
Powertrain	Tuff Torq® foot-controlled hydrostatic transmission (K46)	Tuff Torq® foot-controlled hydrostatic transmission (K46)		
Cruise control	Soft touch engagement	Soft touch engagement		
<b>STEERING</b>				
Steering / turning radius	Optimized steering system, sector and pinion / 16"	Optimized steering system, sector and pinion / 16"		
Front axle	Heavy-duty cast-iron (5-year limited warranty, unlimited hours) <sup>†</sup>	Heavy-duty cast-iron (5-year limited warranty, unlimited hours) <sup>†</sup>		
Ball joints	Fully adjustable / automotive-style	Fully adjustable / automotive-style		
<b>CHASSIS</b>				
Frame	Fully robotically-welded frame with new e-coating corrosion defense system <sup>†</sup>	Fully robotically-welded frame with e-coating corrosion defense system <sup>†</sup>		
Bumper	Optional	Optional		
<b>ELECTRICAL SYSTEM</b>				
Battery	12v 230 cold crank amps	12v 300 cold crank amps		
Headlights	LED high illumination	LED high illumination		
<b>OPERATION</b>				
Engine start	Electric	Electric		
PTO clutch	Lever	Lever	Electric - fingertip engagement	
Deck lift	Lever / 12-position / spring-assisted	Lever / 12-position / spring-assisted		
Brakes	Automotive-style disc	Automotive-style disc		
Seat	Adjustable Cub Comfort™ high open back seat with 10° incline and slide	Adjustable Cub Comfort™ high open back seat with 10° incline and slide		
Front tires	15" x 6" Turf Saver	15" x 6" Multi-Trac		
Front tires	20" x 8" Turf Saver	20" x 8" Multi-Trac		
<b>WARRANTY<sup>†</sup></b>				
Warranty	3-year unlimited hours (includes powertrain) and 5-year chassis and front axle <sup>†</sup>	3-year unlimited hours (includes powertrain) and 5-year chassis and front axle unlimited hours / limited lifetime fabricated deck shell <sup>†</sup>		

= Dealer Exclusive





LX46 FAB SE

SLX50 FAB

SLX54 FAB

GX54 FAB

GSX

679cc Cub Cadet EFI V-Twin		24 HP <b>Kawasaki</b> ® FR Series V-Twin OHV, 726cc		25 HP Kohler® Command V-Twin OHV, 725cc
<b>Fabricated</b>	<b>Fabricated</b>		<b>Fabricated</b>	Optional
46" / twin blade	50" / triple blade <b>Fast Attach System</b>	54" / triple blade <b>Fast Attach System</b>		42", 50", 54" stamped 48", 54", 60" <b>fabricated</b>
1" - 4"				1.5" - 4"
2 ball / 2 ball	2 ball / 2 ball / nose roller			-
QuickAttach™				QuickAttach™
Patented SmartJet™ high-pressure deck washing system				Patented SmartJet™ high-pressure deck washing system
Tuff Torq® foot-controlled hydrostatic transmission (K46)	Tuff Torq® foot-controlled SLT hydrostatic transmission (K46)		Tuff Torq® GT foot-controlled hydrostatic transmission (K58)	Direct shaft drive, foot-controlled hydrostatic Hydro-Gear® cast iron transmission with diff-lock
Soft touch engagement				Soft touch engagement
Optimized steering system, sector and pinion / 16"				Electronic Power Steering (EPS) / 18"
Heavy-duty cast-iron (5-year limited warranty, unlimited hours)*				Heavy-duty cast-iron (5-year limited warranty, unlimited hours) with dual grease fillings*
Fully adjustable / automotive-style				Fully adjustable / automotive-style
Fully robotically-welded frame with e-coating corrosion defense system†				Fully robotically-welded twin c-channel frame assembly†
Brush guard	Fast Attach brush guard			Brush guard
12v 300 cold crank amps				12v 300 cold crank amps
LED high illumination				LED high illumination
Push-button		Electric		Electric
Electric - fingertip engagement				Electric - fingertip engagement
Lever / 12-position / spring-assisted				Electric lift with 6-position
Automotive-style disc				Automotive-style disc
Adjustable Cub Comfort™ high open back seat with armrests, 10° incline and slide	Adjustable Cub Comfort™ high open back seat with armrests, 10° incline and slide			Deluxe high-back seat with armrests and 6" slide
15" x 6" Multi-Trac	16" x 6.5" Turf Master		16" x 6.5" Turf Master	
20" x 8" Multi-Trac	22" x 9.5" Turf Master		23" x 10.5" Turf Master	
3-year unlimited hours (includes powertrain) and 5-year chassis and front axle unlimited hours / limited lifetime fabricated deck shell†				4-year unlimited hours (includes powertrain) and 5-year chassis and front axle unlimited hours / limited lifetime fabricated deck shell and drive shaft†

# POWERFUL CHOICES.

## EXCEPTIONAL CONTROL

Cub Cadet has created the industry's strongest line-up of zero-turn riders — all designed to deliver ultimate maneuverability, efficient performance and beautiful results. Whether it's a completely redesigned lap bar or the innovation of steering wheel control — an advance pioneered by Cub Cadet — expect the kind of exceptional experience that only comes from the best.



### Synchro Steer™ Technology

Zero-turn technology with zero learning curve. Four-wheel steering and steering-wheel control reduces mowing time and provides ultimate stability on hills. Plus, the patented synchronized steering system minimizes turf damage for an unbeatable cut.



### Lap Bar Control

Achieve beautiful results, while significantly cutting mowing time compared to a traditional rider. Agile handling is combined with incredible comfort features like easy-adjust lap bars with full-length comfort grips and plenty of leg room.

## PRECISE CUTS

The difference is in the deck. With a suite of versatile options, Cub Cadet zero-turn mowers offer you two expertly designed decks to help you tackle the job. Choose from either a stamped or a fabricated deck for a superior cut that leads to beautiful results.

### Stamped Decks

Stamped decks are engineered for greater air flow, meaning you get a more even cut. When clippings move through the deck more cleanly and efficiently, the blades cut the grass without any obstructions, leaving you with a pristine lawn.

### Fabricated Decks

The strength of the fabricated deck starts in the design and ends with unparalleled durability. Not only do you get the quality cut you expect from a Cub Cadet zero-turn mower, but you have the added durability to withstand tough jobs time after time.



## WORK HOUSE

"I've owned numerous riders over the years, and I have over 100 hours on this one and it's the best ever. I have some steep banks to mow and it's the safest rider I've ever owned. It'll mow straight up, straight down, sideways or whatever you need. Low center of gravity and wide track are perfect.

West Virginia, U.S.

CUSTOMER RATING ★★★★★

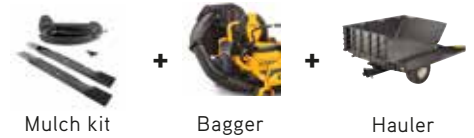
# THE ALL-NEW ULTIMA SERIES THE BEST CUT IN ITS CATEGORY\*



\*Models equipped with the AeroForce™ deck

## ULTIMA® ZT1 / ZT2 SERIES

- ▶ Stamped or fabricated deck
- ▶ Tubular steel frame and maintenance-free spindles
- ▶ Quick knob-adjust lap bars and ergonomic soft-touch rubber overmolded hand grips
- ▶ Fully adjustable premium cut-and-sew 18" high-back seat
- ▶ LED headlights and tow hitch come standard
- ▶ 3-year limited warranty/ no hour limit/limited lifetime warranty on frame and deck shell†



WE RECOMMEND THESE  
CUB CADET ACCESSORIES:



## Z-FORCE® S / LX / SX SERIES

- ▶ Ideal for mowing flat and hilly terrain
- ▶ Soft touch steering wheel with quick adjust tilt column or lap bars with comfort grips
- ▶ Standard fabricated decks
- ▶ Adjustable 18" high-back seat with armrests, Elasticity Vibration Control (EVC) comfort seat on LX and SX models
- ▶ Standard rear tow hitch
- ▶ High profile rear bumper on LX and SX models
- ▶ 3-year limited warranty/ no hour limit on model S and 4-year limited warranty/ 500 hours limit on model LX and SX/limited lifetime fabricated deck†



WE RECOMMEND THESE  
CUB CADET ACCESSORIES:

## MARKET EXCLUSIVE STEERING WHEEL MODEL



## RZT® SX SERIES

- ▶ Ideal for mowing flat and hilly terrain
- ▶ Soft touch tilt steering wheel with console and led light
- ▶ Stamped or fabricated decks
- ▶ Cub Comfort™ deluxe high-back seat
- ▶ 3-year limited warranty/no hour limit/ limited lifetime fabricated deck†



WE RECOMMEND THESE  
CUB CADET ACCESSORIES:



# INTRODUCING THE ALL-NEW ULTIMA<sup>®</sup> SERIES

Next-level comfort.  
Superior speed and control.  
**BEST-IN-CLASS CUT QUALITY.**

**Step up to the ultimate  
all-around mowing experience.**

**ZT1** Get everything you need. And nothing you don't. The ZT1 was built to raise the bar for durability without sacrificing operator comfort.

**ZT2** Step up to maximum strength, comfort and durability with a more premium engine, a reinforced fabricated deck, tougher tires and a fully adjustable high-back seat with armrests.



## Forged With Strength for Enhanced Strength and Durability

- A:** Continuous square tubular steel frame
- B:** Premium, powerful engines
- C:** Corrosion defense e-coat system

## Redefine Comfort for Maximum Speed

- D:** Durable, advanced polymer seat suspension
- E:** Rubber floor mat and ample leg room

- F:** Industry-exclusive overmolded rubber hand grips
- G:** Automotive-inspired, ergonomic, fully adjustable high-back seat

# A DRIVING FORCE.

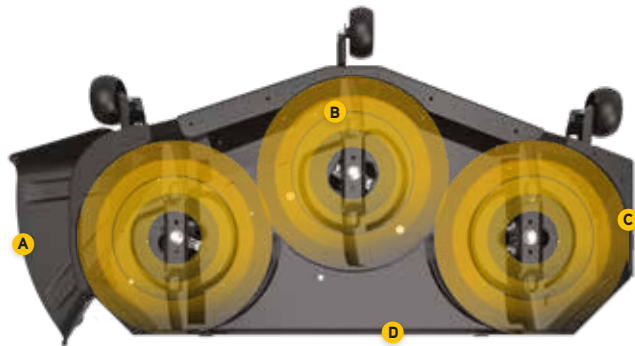
Best-in-class cut quality puts you a cut above.

## **AEROFORCE™ DECK**

The difference is in the deck. With the durability of a fabricated deck and the superior airflow of a stamped deck, the AeroForce™ cutting system has been independently tested and proven to deliver a best-in-class cut\*, including:

- ▶ Fewer clumps and stragglers
- ▶ Finer clippings
- ▶ Increased evenness

And by adding our optimized bagging system, specifically designed to prevent clumping and blockage, you get even more from your mowing experience.



- A:** Finely cut clippings and maximum vacuum
- B:** Advanced baffling system
- C:** Raised tunnel design with optimal airflow
- D:** Fully welded, fabricated steel deck

\* Based on testing and evaluation conducted with The Ohio State University of cut appearance in side discharge, mulch and bagging modes of current model Cub Cadet ZT1 54, John Deere Z355 E, Toro TimeCutter SS 5000, Hustler RAPTOR 52, Ariens ICON X 52 and Husqvarna Z 254 conducted on 5-7, June 2018. The Ohio State University does not endorse or promote Cub Cadet or any of its products and services.



### Best-in-Class Cut Quality for the Perfect Pass

- H:** Fully welded fabricated steel AeroForce™ deck
- I:** 14 quarter-inch deck height adjustments
- J:** Offset front axle for precise trimming
- K:** Premium tire set

### Maintain With Ease

- L:** Maintenance-free spindles
- M:** Hinged floor pan for easy deck access
- N:** Best-in-class warranty, including deck shell and frame

## ATTACHMENTS & ACCESSORIES

# THE STRENGTH OF VERSATILITY.

Dial up the versatility of your rider by adding hardworking attachments that let you tackle your landscape with confidence and ease, year after year.



### ► BAGGER SYSTEMS

Enhance the Cub Cadet Signature Cut™ with breakthrough bagging performance. Twin and triple bagger options are available to fit every zero-turn mower.



### ► CUB CADET HAULER

Featuring four collapsible sides, the hauler can be folded flat for larger loads. Side access allows for easy unloading, and 10 cu. ft. offer plenty of space. When folded flat, it takes up 70% less space than a typical cart.



### ► SNOW BLADE

Quick-adjust 46-inch snow blade easily changes from straight ahead to 25 degrees for added versatility to clear snow and ice with ease. (Fits RZT® S/SX or Z-Force® S/SX).



### ► LAWN SWEEPER

This 44-inch lawn sweeper has a brush that picks up more while skipping less. A 25 cu. ft. hopper holds it all and a dumping mechanism lets you easily empty even the largest loads without leaving the tractor's seat. With this offset design, you can both mow and sweep your lawn at the same time.



### ► LIGHT KIT

High-illumination LEDs light up your mowing path, and provide safer mower operation in low visibility conditions for the ability to mow in early mornings or late evenings.



### ► BROADCAST SPREADER

This heavy-duty 175 lbs multi-seasonal spreader can be used for snow and ice melting material or to spread fertilizer up to 4 ft. The time-saving easy installation requires minimal tools.







PRO Z™ SERIES

PRO Z™ 100

# Exceeds expectations. Not budgets.

The PRO Z 100 allows you to go above and beyond without breaking the bank. Professional-grade suspension seats come standard. The 48-, 54- and 60-inch cutting decks featuring 10-gauge steel deck shells offer a variety of cutting widths. Maintenance-free sealed spindles and professional-grade EFI engines create a professional zero-turn rider that offers maximum value in its class.

Max speed [mph]



9.5 mph

Horsepower and torque



⚡ Horsepower [HP] ● Torque [ft-lb]



Discharge restrictor kit



Power-assist twin bagger

## PRO Z 100 accessories

ATTACHMENT	⚙️			⚙️		
	148 L EFI	154 L EFI	160 L KW/KH EFI	148 S EFI	154 S EFI	160 S KW/KH EFI
Power-Assist Twin Bagger	●	●	●	●	●	●
48" Mulch Kit	●			●		
54" Mulch Kit		●			●	
60" Mulch Kit			●			●
Heavy-Duty Deck-Mounted Striping Kit	●	●	●	●	●	●
Discharge Restrictor Kit	●	●	●	●	●	●
12-Volt Outlet Kit	●	●	●	●	●	●
Light Kit	●	●	●	●	●	●
Wheel Weights	●	●	●	●	●	●
Tire Chains	●	●	●	●	●	●
Power Deck Lift	●	●	●	●	●	●



**ULTIMA<sup>ZT1</sup>**

**ULTIMA<sup>ZT2</sup>**

**RZT<sup>SX</sup>**



ZT1 42

ZT1 46

ZT1 50

ZT1 54

ZT2 50

ZT2 54

ZT2 60

RZT SX42 KH

RZT SX46 KH

RZT SX50

RZT SX54

ENGINE	ULTIMA <sup>ZT1</sup>				ULTIMA <sup>ZT2</sup>			RZT <sup>SX</sup>				
Cub Cadet certified engine	22 HP Kohler® KT7000 Series V-Twin OHV, 725cc		23 HP Kawasaki® FR Series V-Twin OHV, 726cc	24 HP Kohler® KT7000 Series V-Twin OHV, 725cc	23 HP Kawasaki® FR Series V-Twin OHV, 726cc		24 HP Kawasaki® FR Series V-Twin OHV, 726cc	22 HP Kohler KT7000 Series, V-Twin OHV, 725 cc, with push button start	23 HP Kohler KT7000 Series, V-Twin OHV, 725 cc, with push button start	679cc Cub Cadet V-Twin EFI with push button start	23 HP Kawasaki® FR Series V-Twin OHV, 726cc	
MOWER DECK												
Deck type	Stamped	AeroForce™, fabricated			AeroForce™, fabricated with reinforced leading edge			Stamped	Fabricated			
Cutting width / blades	42" / twin blade	46" / twin blade	50" / triple blade	54" / triple blade	50" / triple blade	54" / triple blade	60" / triple blade	42" / twin blade	46" / twin blade	50" / triple blade	54" / triple blade	
Deck cutting height	1" - 4.5"				1"-4"			1.5" - 4"				
Anti-scalping wheels	2 front ball		2 front ball + nose ball		2 front ball + nose ball			2 greasable adjustable gauge		3 greasable adjustable gauge	2 greasable adjustable gauge	
Deck wash	Patented SmartJet™ high-pressure deck washing system				Patented SmartJet™ high-pressure deck washing system			Patented SmartJet™ high-pressure deck washing system				
POWER SYSTEM												
Powertrain	Dual Hydro-Gear® EZT-2200™				Dual Hydro-Gear® ZT-2800™			Dual Hydro-Gear® EZT-2200™				
Cruise control	-				-			Standard, foot operated				
STEERING												
Steering / turning radius	Lap bar / zero				Lap bar / zero			Steering-wheel with console and LED light / zero				
Front axle	2" X 2" tubular frame, offset to maximize trim edge and cut quality				2" X 2" tubular frame, offset to maximize trim edge and cut quality			Heavy-duty fabricated steel				
CHASSIS												
Frame	Heavy-duty 2"x 2" tubular frame with e-coating corrosion defense system				Heavy-duty 2"x 2" tubular frame with e-coating corrosion defense system			Heavy-duty one-piece, full-length steel frame with e-coating corrosion defense system†				
ELECTRICAL SYSTEM												
Battery	12v 230 cold crank amps				12v 230 cold crank amps			12v 300 cold crank amp				
OPERATION												
PTO clutch	Electric - fingertip engagement				Electric - fingertip engagement			Electric - fingertip engagement				
Deck lift	Foot operated lift with 15 position dial height adjust				Foot operated lift with 15 position dial height adjust			Hand lever / 8-position				
Seat	Premium high back adjustable seat With patented suspension system				Premium High Back Adjustable Seat with with Arm Rests and Patented Suspension System			Premium cushioned seat with armrests and increased stability and comfort				
Parking brake	Integrated Parking Brake in Lap Bars				Integrated Parking Brake in Lap Bars			Foot-operated pedal				
Mow in reverse	RevTek™ reverse mowing technology				RevTek™ reverse mowing technology			RevTek™ reverse mowing technology				
ADDITIONAL FEATURES												
Front tires	11" x 6" - 5" Smooth				13" x 6.5" - 6" Smooth			13" x 5" - 6" (rib)		13" x 5" - 6" (rib)		
Rear tires	20" x 8" - 8" Turf Master	20" x 10" - 8" Turf Master		20" x 12" - 10" Turf Master			18" x 8.5" - 8" (turf / Multi Trac)		18" x 9.5" - 8" (turf / Multi Trac)			
Fuel tank capacity / gauge	3 Gallon (11.4 L)				3 Gallon (11.4 L)			2.8 gal (10.6 L)				
Rear tow hitch	Standard				Standard			Optional				
WARRANTY†												
Warranty	3-year limited residential (no hour limit) / limited lifetime frame and fabricated deck shell warranty†				3-year limited residential (no hour limit) / limited lifetime frame and fabricated deck shell warranty†			3-year limited residential (no hour limit) / limited lifetime fabricated deck shell warranty†				



= Dealer Exclusive

**Z-FORCE SX**

**Z-FORCE LX**

**Z-FORCE S**



Z-Force SX 48			Z-Force SX 54			Z-Force SX 60			Z-Force LX 48			Z-Force LX 54			Z-Force LX 60			Z-Force S 48		Z-Force S 54		Z-Force S 60	
24 HP <b>Kawasaki</b> ® FR V-Twin OHV, 726cc						24 HP <b>Kawasaki</b> ® FR V-Twin OHV, 726cc						24 HP Kohler® 7000 series KT-PRO V-Twin OHV, 725cc		25 HP Kohler® 7000 Series KT-PRO V-Twin OHV, 725cc									
<b>Fabricated</b>						<b>Fabricated</b>						<b>Fabricated</b>											
48" / triple blade		54" / triple blade		60" / triple blade		48" / triple blade		54" / triple blade		60" / triple blade		48" / triple blade		54" / triple blade		60" / triple blade							
1" – 4"						1" – 4"						1" – 4"											
2 greasable heavy-duty gauge		2 greasable heavy-duty gauge / 1 premium nose gauge				2 greasable heavy-duty gauge		2 greasable heavy-duty gauge / w/ 1 premium nose gauge				2 greasable heavy-duty gauge		2 greasable heavy-duty gauge / 1 premium nose gauge									
Patented SmartJet™ high-pressure deck washing system						Patented SmartJet™ high-pressure deck washing system						Patented SmartJet™ high-pressure deck washing system											
Dual Hydro-Gear® ZT-3100™						Dual Hydro-Gear® ZT-3100™						Dual Hydro-Gear® ZT-2800™											
Standard, foot-operated						-						Standard, foot-operated											
<b>Steering-wheel</b> / zero						Lap bar / zero						<b>Steering-wheel</b> / zero											
Fully welded / fabricated high-strength steel with tapered roller bearings						Fully welded / fabricated high-strength steel with tapered roller bearings						Fully welded / fabricated high-strength steel with sealed ball bearings											
Heavy-duty reinforced fully welded one-piece full-length steel frame with e-coating corrosion defense system†						Heavy-duty reinforced fully welded one-piece full-length steel frame with e-coating corrosion defense system†						Heavy-duty reinforced fully welded one-piece full-length steel frame with e-coating corrosion defense system†											
12v 230 cold crank amp						12v 230 cold crank amp						12v 230 cold crank amp											
Electric - fingertip engagement						Electric - fingertip engagement						Electric - fingertip engagement											
Hand lever / 15 positions / spring-assisted						Hand lever / 15 positions / spring-assisted						Hand lever / 15 positions / spring-assisted											
Deluxe adjustable high-back EVC comfort seat with armrests						Deluxe adjustable high back elasticity vibration control (EVC) comfort seat with armrests						Adjustable 18" high-back seat with armrests											
Foot-operated pedal						Integrated system in lap bars						Foot-operated pedal											
RevTek™ reverse mowing technology						RevTek™ reverse mowing technology						RevTek™ reverse mowing technology											
13" x 6.5" – 6" (Multi Trac)						13" x 6.5" – 6" (smooth)						13" x 5" – 6" (rib)											
22" x 9.5" – 12" (Multi Trac)						22" x 9.5" – 12" (turf)						20" x 10" – 8" (turf)											
Twin 2.8 gal / 10.6 L (5.6 gal / 21.2 L total) with sight gauge						Twin 2.8 gal / 10.6 L (5.6 gal / 21.2 L total) with sight gauge						2.8 gal (10.6 L) with sight gauge											
Standard with high profile bumper						Standard with high profile bumper						Standard											
4-year / 500-hour limited warranty†						4-year / 500-hour limited warranty†						3-year limited warranty / (no hour limit)†											



# STRONG AS STEEL. EASY AS IT GETS.

Only Cub Cadet is pushing the boundaries of what walk-behind mowers can do. The Signature Cut™ Series offers ten models of push and self-propelled mowers unrivaled in their strength and power. And the one-of-a-kind driving system offers effortless and optimum maneuverability allowing you to cut around curved landscaping and hard-to-reach places.



## MY SPEED® WALK-BEHIND MOWERS

- ▶ Variable My Speed® drive system for setting your own pace
- ▶ High wheels or caster wheels
- ▶ Push button start on select models
- ▶ 3-in-1 standard (bag, mulch and side discharge)
- ▶ Soft touch grip handles



## ALL-WHEEL DRIVE MOWER

- ▶ Push button start with Autochoke and SureStart guarantee®
- ▶ Cub Cadet Signature Cut™
- ▶ 196cc Cub Cadet OHV engine
- ▶ 21" cutting width
- ▶ Selectable FWD, RWD or All Wheel Drive



## WALK-BEHIND MOWERS

- ▶ Recoil start with Autochoke and SureStart guarantee®
- ▶ Cub Cadet Signature Cut™
- ▶ 3-in-1 standard (bag, mulch and side discharge) on select models



## WIDE-AREA WALK-BEHIND MOWERS

- ▶ Push button or key start with Autochoke and SureStart guarantee®
- ▶ Cub Cadet Signature Cut™
- ▶ 195cc and 382cc Cub Cadet OHV engines
- ▶ 28" and 33" cutting width
- ▶ Caster front wheels



## TRIMMER MOWER

- ▶ 159cc Cub Cadet OHV
- ▶ 22" cutting swath
- ▶ 0.155" - quick no tools line replacement
- ▶ Dual line with adjustable trimming height
- ▶ Standard debris and trailing shield
- ▶ 14" x 2" rear tires with bearings

### WE RECOMMEND THESE CUB CADET ACCESSORIES:



Cover

Extreme Blades

Engine oil

## EFFORTLESS!

"I have had my mower for 2 weeks now. Mine cranked on the first pull. And all I had to do was walk behind it. Effortless!"  
Mississippi, U.S.

CUSTOMER RATING ★★★★★



## PUSH MOWERS


## SELF-PROPELLED MOWERS

	CC 100		SC 100	SC 100HWH	SC 300	SC 300HW	SC 500HW	SC 500HW ES
Cub Cadet certified engine	159cc Cub Cadet OHV				159cc Cub Cadet OHV			
Engine start	Recoil start with autochoke and SureStart Guarantee®				Recoil start with autochoke and SureStart Guarantee®			Push button electric start with autochoke and SureStart Guarantee®
Drive	Push				Single Speed Front-Wheel Drive	MySpeed®, front-wheel drive, premium drive control	MySpeed®, rear-wheel drive, premium drive control	
Deck	21" steel				21" steel			
Cutting system	-	Cub Cadet Signature Cut™			Cub Cadet Signature Cut™			
Deck height adjustment	6 position, dual lever				6 position, dual lever			
Deck cutting height	1.25" - 3.75"				1.25" - 3.75"			
Cutting options	2-in-1 mulch, side discharge	3-In-1 bag, mulch, side discharge			3-In-1 bag, mulch, side discharge			
Deck wash	Patented SmartJet™ high pressure deck washing system				Patented SmartJet™ high pressure deck washing system			
Front wheels	7" (bushings)	8" (bushings)			8" (bushings)		8" (ball bearings)	
Rear wheels	8" (bushings)		11" (bushings)		8" (Bushings)	11" (ball bearings)		
Handle	3 way adjustable loop with indent	Comfort grip, 3 way adjustable ergo			Adjustable Ergo with Indent and Overmolded Bail	Adjustable Cub Cadet MySpeed® with comfort grip		
Bagging	N/A	1.9 bushel / 67 litre rear dust blocking bagger			1.9 bushel / 67 litre rear dust blocking bagger		2.3 bushel / 84 litre rear dust blocking bagger	
Warranty	3 year limited residential				3 year limited residential			

## SELF-PROPELLED MOWERS

## WIDE AREA MOWER

	SC 500Z	SC 500EQ	SC 700E	NEW SC 900	CC 600	CC 800
Cub Cadet certified engine	159cc Cub Cadet OHV		196cc Cub Cadet OHV		195cc Cub Cadet OHV	382cc Cub Cadet OHV
Engine start	Recoil start with autochoke and SureStart Guarantee®	Push button electric start with autochoke and SureStart Guarantee®		Recoil start with autochoke and SureStart Guarantee®	Push button electric start with autochoke and SureStart Guarantee®	Key operated electric start with autochoke and SureStart Guarantee®
Drive	MySpeed®, rear-wheel drive, premium drive control		Selectable front-wheel, rear-wheel and all wheel drive	MySpeed®, rear-wheel drive, premium drive control	MySpeed®, rear-wheel drive, premium drive control	Rear-wheel drive - 4 forward, 1 reverse speeds
Deck	21" steel			23" steel	28" steel (twin blades)	33" steel (twin blades)
Cutting system	Cub Cadet Signature Cut™				-	CycloCut™ cutting system
Deck height adjustment	6 position, three point		6 position, dual lever	6 position, single lever	5 position, three point	8 position, single lever
Deck cutting height	1.25" - 3.75"				1.25" - 3.75"	1.25" - 3.5"
Cutting options	3-in-1 bag, mulch, side discharge			3-in-1 bag, mulch, rear discharge	3-in-1 bag, mulch, side discharge	2-in-1 mulch, side discharge
Deck wash	Patented SmartJet™ high pressure deck washing system				Patented SmartJet™ high pressure deck washing system	
Front wheels	7" caster (ball bearings)		8" (bushings)	9" (Bushings)	7" caster (ball bearings)	8" caster (ball bearings)
Rear wheels	8" (ball bearings)		11" (ball bearings)	9" (Bushings)	10" (ball bearings)	16" pneumatic (bushings)
Handle	Adjustable Cub Cadet MySpeed® with comfort grip		Adjustable ergo with indent and overmolded bail	Adjustable Cub Cadet MySpeed® with comfort grip	Adjustable Cub Cadet My Speed with Comfort Grip	Plow style
Bagging	2.3 bushel / 84 litre rear dust blocking bagger		<b>New high capacity bagger</b> 2.3 bushel / 84 litre rear dust blocking bagger	3.1 bushel / 109 litre Rear dust blocking bagger with bBag full indicator	2.25 bushel / 79 litre rear dust blocking bagger	Optional (2.6 bushel / 91 litre side bagger)
Warranty	3 year limited residential			4 year limited residential	3 year limited residential	3 year limited residential / 120 hour commercial

 = Dealer Exclusive

# CHOICES OF STRENGTH FOR THE TASK AT HAND

High-performance innovations meet heavy-duty strength to deliver the tools you need to keep your yard looking its best. From trimmers to log splitters, tillers to leaf blowers, and everything in between, Cub Cadet has engineered a line of products to not just help you get the job done, but get it done better.

## SPLIT LOGS FAST. CUT THROUGH CHORES FASTER.

Cub Cadet log splitters deliver smart thinking that others can't match. Their precision-made beam, rugged cast-iron wedge, and robust cast-steel foot plate ensure years of operation.

### 25 TONS LOG SPLITTER

- ▶ 208cc Cub Cadet OHV engine
- ▶ 16" x 4.8" transport wheels
- ▶ Resharpenable cast-iron splitting wedge
- ▶ 19 seconds cycle with auto return
- ▶ 9.5 GPM hydro pump
- ▶ Polymer fenders

### 27 TONS LOG SPLITTER

- ▶ 277cc Cub Cadet OHV engine
- ▶ 16" x 4.8" transport wheels
- ▶ Resharpenable cast-iron splitting wedge
- ▶ 15 seconds cycle with auto return
- ▶ 13 GPM hydro pump
- ▶ Diamond-tread steel fenders



## WASHES AWAY THE COMPETITION.

Blast through dirt and your to-do list with this high-performance pressure washer. The premium quality parts provide durability while the pumps provide steady pressure for consistency. So whether you're prepping your home for a new coat of paint or cleaning your patio, a Cub Cadet pressure washer will get the job done.

### PRESSURE WASHER CC 3400

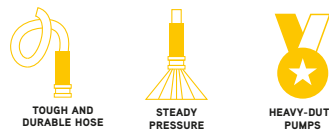
- ▶ 208cc Cub Cadet engine
- ▶ 3400 PSI / 2.5 GPM
- ▶ 10" 4-ply pneumatic wheels
- ▶ AAA Pro axial cam pump
- ▶ 5/16" x 25' Morflex hose

### PRESSURE WASHER CC 3600

- ▶ 200cc Honda® GX200 engine
- ▶ 3600 PSI / 2.5 GPM
- ▶ 10" 4-ply pneumatic wheels
- ▶ AAA Pro axial cam pump
- ▶ 5/16" x 25' Monster hose

### PRESSURE WASHER CC 4033

- ▶ 270cc Honda® GX270 engine
- ▶ 4000 PSI / 3.5 GPM
- ▶ 13" 4-ply pneumatic
- ▶ AAA Triplex with PowerBoost pump
- ▶ 3/8" x 50' Monster hose





# FULL-FORCE STRENGTH. EXACT PRECISION.

There's a certain kind of strength in versatility. A kind of strength you'll find in Cub Cadet chore equipment. You can have professional results for years to come, without paying a professional. That's smart thinking.

## CHIPPER / SHREDDER / VACUUM

- ▶ All-in-one chipper/shredder/vacuum
- ▶ 159cc Cub Cadet OHV
- ▶ 2 bushel capacity
- ▶ 1.5" diameter chipping capacity



24" IN  
VACUUM WIDTH

## TILLER FT 24

- ▶ 208cc Cub Cadet
- ▶ Front tine, forward rotating
- ▶ 7" tilling depth
- ▶ 13"/22"/24" tilling width
- ▶ 1 forward speed



## TILLER RT 35

- ▶ 208cc Cub Cadet
- ▶ Rear tine, counter rotating
- ▶ 7" tilling depth
- ▶ 16" tilling width
- ▶ 1 forward speed



## TILLER RT 45

- ▶ 208cc Cub Cadet
- ▶ Rear tine, counter rotating
- ▶ 7" tilling depth
- ▶ 18" tilling width
- ▶ 1 forward speed / power reverse



## TILLER RT 65 H

- ▶ 187cc Honda® GC OHC
- ▶ Rear tine, dual direction
- ▶ 7.5" tilling depth
- ▶ 18" tilling width
- ▶ 1 forward speed / power reverse



## CHIPPER / SHREDDER

- ▶ 250cc Briggs & Stratton® OHV
- ▶ 2 in 1 chipper/shredder
- ▶ 5-bushel capacity
- ▶ 3" diameter chipping capacity



10:1  
REDUCTION  
RATIO

## BLOWER

- ▶ 208cc Cub Cadet OHV
- ▶ Up to 150 mph
- ▶ Up to 1000 cfm
- ▶ 15° pitch control



8 x 3" IN  
LOCKABLE  
PIVOTING WHEEL

## EDGER-TRENCHER

- ▶ 140cc Cub Cadet OHV
- ▶ 9" triple edge blade
- ▶ 6 depth positions
- ▶ Trenching kit included



15° - 3 POSITION  
BED EDGING LEVEL



# CHALLENGE EVERYTHING. SACRIFICE NOTHING.

The Cub Cadet Challenger™ Series of UTVs is redefining utility. With features that come standard, this fully stacked, fully loaded lineup offers unmatched versatility, strength and capability so you can seize any day. Whether you're putting in a hard day of work or play, the Challenger Series has everything you could need, want and didn't expect, because sometimes the grass is greener where there is no grass.



## REAR ACCESSORY MOUNTING RACK

Save cargo space with our exclusive B-pillar mounting racks, which hold up to eight spring-loaded accessory rack tubes.

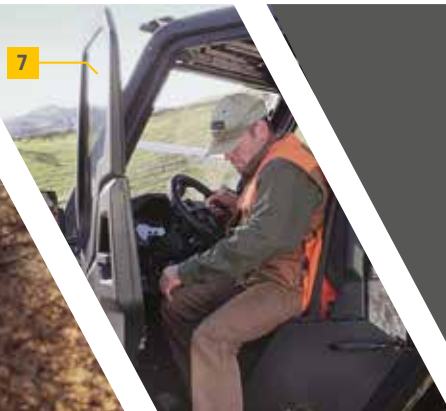
1. Accessory rack tubes
2. Spare tire mount
3. Chainsaw boot and mount kit
4. Gun boot and mount kit



## FRONT ACCESSORY MOUNTING PANEL

The mounting panel above the windshield conveniently routes wires within the A-pillars.

5. Four-cube LED light
6. Dual 11.5" LED light bar



## WINDSHIELDS AND WINDOWS

Enclose the cab quickly with the addition of upper doors and a rear window.

7. Upper doors
8. Scratch-resistant vented polycarbonate
9. Scratch-resistant folding polycarbonate
10. Rear window





# MORE BOUNDS. LESS BOUNDARIES.

With the MX 550 and MX 750, there's no limit to your adventures or your imagination. Customize your UTV to fit you and your lifestyle. And only at Cub Cadet, premium features come standard. So whether you're tackling a tough job or some tough trails, you'll be ready from the minute you leave the dealership.

Available colours



## CHALLENGER MX 550

- 546cc EFI liquid-cooled engine
- Speed up to 72 kph (45 mph)
- On-demand 2WD / 4WD, automatic CVT transmission
- Selectable locking front / selectable locking rear differential

Available colours



## CHALLENGER MX 750

- 735cc EFI liquid-cooled engine
- Speed up to 72 kph (45 mph)
- On-demand 2WD / 4WD, automatic CVT transmission
- Selectable locking front / selectable locking rear differential

Available colours



## CHALLENGER MX 750 EPS

- 735cc EFI liquid-cooled engine
- Speed up to 72 kph (45 mph)
- On-demand 2WD / 4WD, automatic CVT transmission
- Selectable locking front / selectable locking rear differential
- Electric power steering (EPS)**

### STANDARD PACKAGE INCLUDES:

Accessory mounting panel	Hard roof
Sealed quick-attach windshield	Accessory mounting rack
High-sided doors	Tilting steering wheel with horn
Side-view mirrors	Interior and exterior door handles
Automotive-inspired digital dash	Underhood air intake and storage
Led headlights and turn signals	Front bumper
Three-way adjustable shocks	Front hitch receiver
Rear hitch receiver	3,500-lb winch
Front locking differential	Rear locking differential
Alloy wheels	Off-road tires



# TIGHTLY PACKED POWER.

Compact enough to fit in the bed of a standard-sized pickup truck, this machine comes stacked with heavy-duty features, strong hauling capacities and an array of rugged attachments. The new Challenger™ 400 4x4 comes equipped with four-wheel drive versatility and enhanced ground clearance.

Available colour



Available fender kits (sold separately)



## CHALLENGER 400 4x4

- 404cc Subaru® EX40 air-cooled engine
- Speed up to 40 kph (25 mph)
- 4WD, automatic CVT transmission
- Automatic locking front / selectable locking rear differential
- Heavy-duty coilover shocks

### STANDARD PACKAGE INCLUDES:

Hard roof	Adjustable headrests
LED brake light	Led headlights
Adjustable driver's seat	Heavy-duty shocks
Steel bumper	Alloy wheels
Flip-down tailgate	Auto-locking front differential
Rear locking differential	Four-wheel disc brakes
Off-road tires	





\*as rated by the engine manufacturer

† Limited warranty - 5-year chassis and front axle, unlimited hours. 3-year and 4-year powertrain (engine and transmission) unlimited hours. Normal wear parts 30 days. For full warranty details visit cubcadet.ca or see your local dealer.

This brochure is for advertisement purposes only. The product depictions are not meant to be used or relied upon as a substitute for the safety and information that is published in the respective operator's manual. Before operating the machine, read, understand and follow all instructions in the manual and on the machine. Specifications and programs are subject to change without notice. For product details, see your participating Cub Cadet local dealer. Models subject to limited availability.

Images may not reflect dealer inventory and/or unit specifications.



Cub Cadet Canada



@CubCadet\_CA



cubcadet\_canada



CubCadetCA