



Powering Business Worldwide

D TYPE BR LOADCENTER RATINGS:

Enclosure:	Indoor NEMA 1
Incoming Main:	Type CSR Main Breaker
Loadcenter Electrical Rating:	120/240 VAC, Single Phase
Bus Bar Ampere:	200 Amps Max
Number of Spaces & Circuits:	See Table on Page 2
Incoming Wire Range:	#2-300 kcmil
Bus Bar Material:	Tin Plated Aluminum (Standard)
Trim Type:	Combination (Standard)
Trim Paint:	ANSI 61 Light Gray
Short Circuit Rating:	See Branch Breaker Ratings
Box Dimensions:	14.3"W x 3.9"D x "A" (See Table on page 2)

C FEATURES:

Steel Backpan - For reliable breaker mounting.

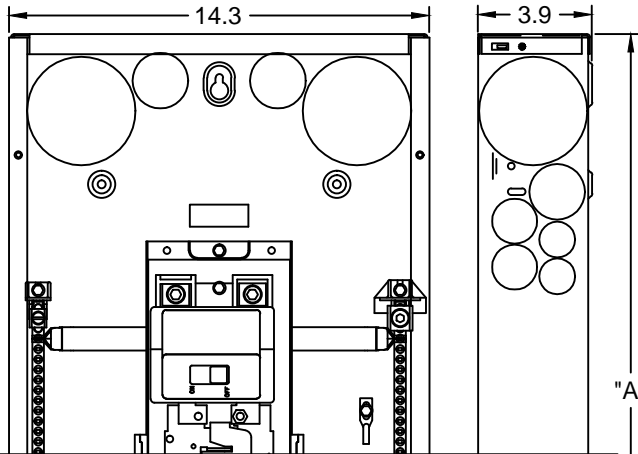
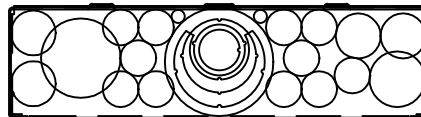
Single keyhole mounting - One keyhole at top and bottom for mounting and leveling.

Split Neutral Bar Assembly - For better management of load wires.

Drywall marking on Enclosure - Indicates mounting depth for flush applications

Top or bottom feed - Acceptable for either top or bottom applications.

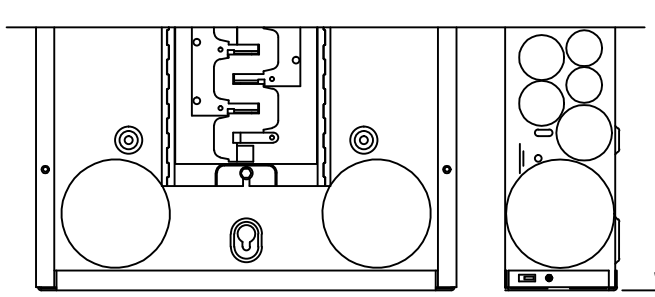
Warranty - 10 year limited warranty on all BR Loadcenters and Breakers.



B OPTIONAL ACCESSORIES:

Catalog Number	Description
GBK5	5 POS #14-4 Ground Bar
GBK10	10 POS #14-4 Ground Bar
GBK14	14 POS #14-4 Ground Bar
GBK21	21 POS #14-4 Ground Bar
NL20	Neutral/Ground Lug #2/0 max
BRFP	1" Filler Plate
BRHDK125	Hold-down kit for Type BR breaker
BR230SUR	BR 2P 30A Circuit Breaker w/ Surge Protection
BRMIKCSR	Generator Interlock Kit

Ref: 96-3553



A TITLE	BR 1" LOADCENTER, CSR MAIN BREAKER, INDOOR NEMA 1, 120/240 VAC, 1 PHASE	DRAFTER/DESIGNER	M. Egan	DATE (YYYY/MM/DD)	2014/06/27	A
----------------	---	------------------	---------	-------------------	------------	----------

EATON CORPORATION - CONFIDENTIAL AND PROPRIETARY NOTICE TO PERSONS RECEIVING THIS DOCUMENT AND/OR TECHNICAL INFORMATION THIS DOCUMENT, INCLUDING THE DRAWING AND INFORMATION CONTAINED THEREON, IS CONFIDENTIAL AND IS THE EXCLUSIVE PROPERTY OF EATON CORPORATION, AND IS MERELY ON LOAN AND SUBJECT TO RECALL BY EATON AT ANY TIME. BY TAKING POSSESSION OF THIS DOCUMENT, THE RECIPIENT ACKNOWLEDGES AND AGREES THAT THIS DOCUMENT CANNOT BE USED IN ANY MANNER ADVERSE TO THE INTERESTS OF EATON AND THAT NO PORTION OF THIS DOCUMENT MAY BE COPIED OR OTHERWISE REPRODUCED WITHOUT THE PRIOR WRITTEN CONSENT OF EATON. IN THE CASE OF CONFLICTING CONTRACTUAL PROVISIONS, THIS NOTICE SHALL GOVERN THE STATUS OF THIS DOCUMENT. © 2014 Eaton Corporation, All Rights Reserved	SIZE A	DRAWING NUMBER 98-1081	REVISION 001
	UNLESS OTHERWISE SPECIFIED DIMENSIONS IN INCHES		
SCALE 1=6		SHEET 1 OF 2	





Powering Business Worldwide

Loadcenter Details

Catalog Number	Dim "A"	Main Brkr Amps	Spaces/Circuits	Bus Material	Wire Size Range Cu/Al 60°C or 75°C	Notes
BR1224B150GK	27	150	12/24	Alum.	#2-300 kcmil	14 ground terminals included plus 2/0 lug
BR1224B150PK	27	150	12/24	Alum.	#2-300 kcmil	
BR1224B150PKW	27	150	12/24	Alum.	#2-300 kcmil	
BR1224B200GK	27	200	12/24	Alum.	#2-300 kcmil	14 ground terminals included plus 2/0 lug
BR1224B200PK	27	200	12/24	Alum.	#2-300 kcmil	
BR1224B200PKW	27	200	12/24	Alum.	#2-300 kcmil	
BR1630B150	27	150	16/30	Alum.	#2-300 kcmil	
BR1630B150GK	27	150	16/30	Alum.	#2-300 kcmil	14 ground terminals included plus 2/0 lug
BR1630B150PK	27	150	16/30	Alum.	#2-300 kcmil	
BR1630B150PKW	27	150	16/30	Alum.	#2-300 kcmil	
BR1632B200	27	200	16/32	Alum.	#2-300 kcmil	
BR1632B200GK	27	200	16/32	Alum.	#2-300 kcmil	14 ground terminals included plus 2/0 lug
BR1632B200PK	27	200	16/32	Alum.	#2-300 kcmil	
BR1632B200PKW	27	200	16/32	Alum.	#2-300 kcmil	
BR2030B150	27	150	20/30	Alum.	#2-300 kcmil	
BR2040B150	27	150	20/40	Alum.	#2-300 kcmil	
BR2040B200	29.12	200	20/40	Alum.	#2-300 kcmil	
BR2040B200GK	29.12	200	20/40	Alum.	#2-300 kcmil	21 ground terminals included plus 2/0 lug
BR2040B200P	29.12	200	20/40	Alum.	#2-300 kcmil	
BR2040B200PK	29.12	200	20/40	Alum.	#2-300 kcmil	
BR2040B200PKW	29.12	200	20/40	Alum.	#2-300 kcmil	
BR2040B200ST1	29.12	200	20/40	Alum.	#2-300 kcmil	
BR2040BC200	29.12	200	20/40	Cu.	#2-300 kcmil	
BR2430B150	34.12	150	24/30	Alum.	#2-300 kcmil	
BR2440B200	34.12	200	24/40	Alum.	#2-300 kcmil	
BR3030B150	34.12	150	30/30	Alum.	#2-300 kcmil	
BR3030BC150	34.12	150	30/30	Cu.	#2-300 kcmil	
BR3030BC150B	34.12	150	30/30	Cu.	#2-300 kcmil	
BR3040B150	34.12	150	30/40	Alum.	#2-300 kcmil	
BR3040B150W	34.12	150	30/40	Alum.	#2-300 kcmil	
BR3040B200	34.12	200	30/40	Alum.	#2-300 kcmil	
BR3040B200BP	34.12	200	30/40	Alum.	#2-300 kcmil	
BR3040B200G	34.12	200	30/40	Alum.	#2-300 kcmil	21 ground terminals included plus 2/0 lug
BR3040B200P	34.12	200	30/40	Alum.	#2-300 kcmil	
BR3040BC200	34.12	200	30/40	Cu.	#2-300 kcmil	
BR4040B200	39	200	40/40	Alum.	#2-300 kcmil	
BR4040B200P	39	200	40/40	Alum.	#2-300 kcmil	
BR4040B200BP	39	200	40/40	Alum.	#2-300 kcmil	
BR4040B200PW	39	200	40/40	Alum.	#2-300 kcmil	
BR4040BC200	39	200	40/40	Cu.	#2-300 kcmil	
BR4040BC200B	39	200	40/40	Cu.	#2-300 kcmil	
BR4050B200	39	200	40/50	Alum.	#2-300 kcmil	

Note: Catalog Numbers may have additional characters at the end which describe alternate details, including but not limited to the following: S, F, W, G, GK, PK, PB, SF, RN, MI, V and #s. Contact sales for those specific details when necessary .

TITLE BR 1" LOADCENTER, CSR MAIN BREAKER, INDOOR NEMA 1, 120/240 VAC, 1 PHASE DRAFTER/DESIGNER M. Egan DATE (YYYY/MM/DD) 2014/06/27

EATON CORPORATION - CONFIDENTIAL AND PROPRIETARY NOTICE TO PERSONS RECEIVING THIS DOCUMENT AND/OR TECHNICAL INFORMATION THIS DOCUMENT, INCLUDING THE DRAWING AND INFORMATION CONTAINED THEREON, IS CONFIDENTIAL AND IS THE EXCLUSIVE PROPERTY OF EATON CORPORATION, AND IS MERELY ON LOAN AND SUBJECT TO RECALL BY EATON AT ANY TIME. BY TAKING POSSESSION OF THIS DOCUMENT, THE RECIPIENT ACKNOWLEDGES AND AGREES THAT THIS DOCUMENT CANNOT BE USED IN ANY MANNER ADVERSE TO THE INTERESTS OF EATON AND THAT NO PORTION OF THIS DOCUMENT MAY BE COPIED OR OTHERWISE REPRODUCED WITHOUT THE PRIOR WRITTEN CONSENT OF EATON. IN THE CASE OF CONFLICTING CONTRACTUAL PROVISIONS, THIS NOTICE SHALL GOVERN THE STATUS OF THIS DOCUMENT. © 2014 Eaton Corporation, All Rights Reserved	SIZE A	DRAWING NUMBER 98-1081	REVISION 001
	UNLESS OTHERWISE SPECIFIED DIMENSIONS IN INCHES SCALE 1=1		SHEET 2 OF 2