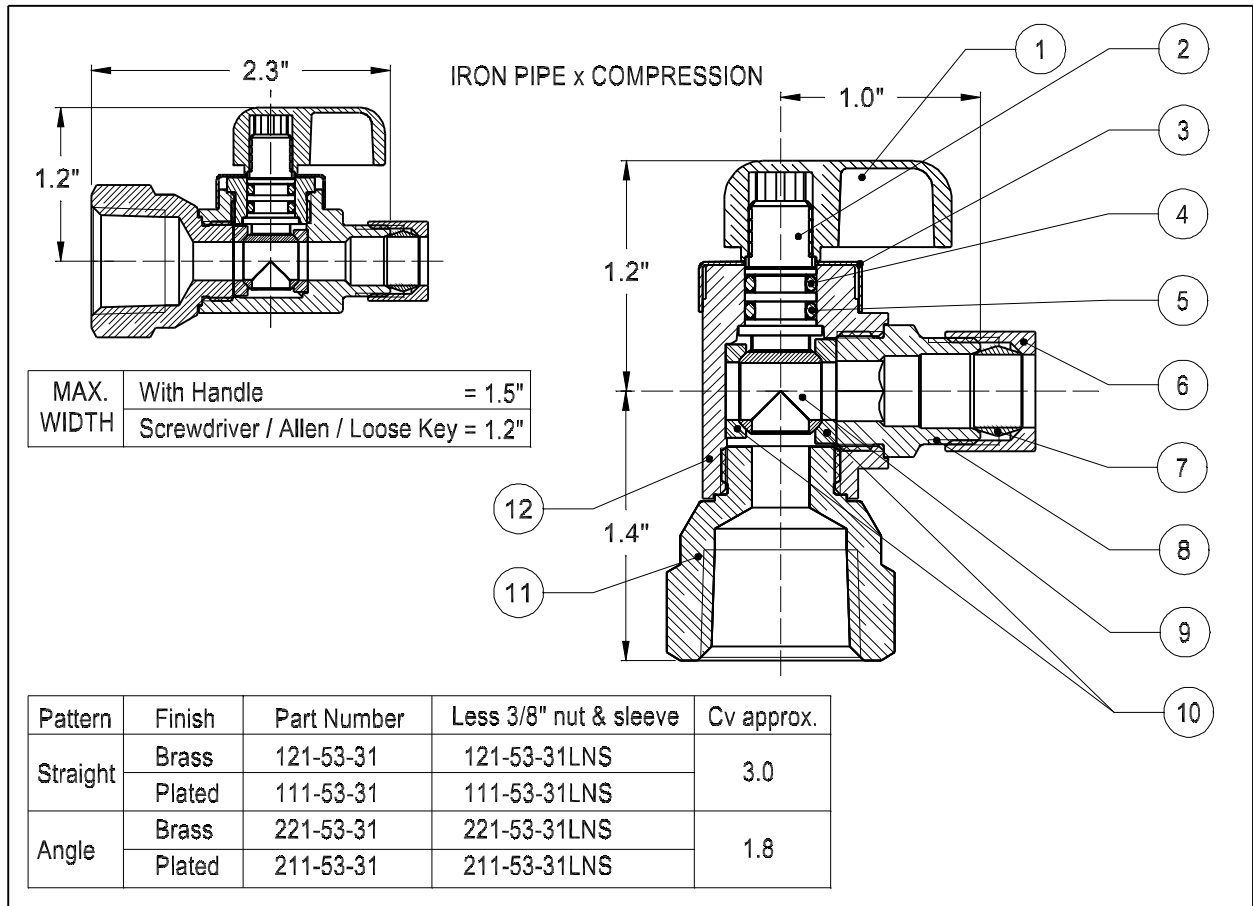


# Dahl **mini-ball**™ Valve

Plumbing



\*Text Below Represents Brass Configuration

- |                                 |                                 |
|---------------------------------|---------------------------------|
| 1. Nickel Plated Zinc Handle    | 7. Brass Tapered Sleeve         |
| 2. Nickel Plated Brass Spindle  | 8. Brass 3/8 OD Compression End |
| 3. Handle Stop Cap (Brass)      | 9. Plated Ball                  |
| 4. EPDM O-ring                  | 10. Teflon* Seals               |
| 5. Viton* O-ring                | 11. Brass 1/2 FIP End           |
| 6. Brass 3/8 OD Compression Nut | 12. Brass Body                  |

Working Pressure: 250 psi / 250°F  
depending on pipe material.

 UPC®  
NSF / ANSI 61  
ASME A112.18.1

Designed and Manufactured in  
Canada

Also available with Screwdriver, Allen or Loose Key operation



dahl brothers canada limited

2600 S. SHERIDAN WAY, MISSISSAUGA, ON, CANADA L5J 2M4  
905-822-2330 CAN 800-268-5355 U.S. 800-268-2363  
FAX(905) 855-1450, USA AND CANADA 800-226-1801  
[www.sales@dahlvalve.com](http://www.sales@dahlvalve.com) [www.dahlvalve.com](http://www.dahlvalve.com)