

# DEWALT®



**Instruction Manual  
Guide D'utilisation  
Manual de instrucciones  
Manual de Instruções**

**DW088, DW088CG**

**LaserChalkLine™ Laser Line Generator**

**Générateurs de faisceaux laser LaserChalkLine<sup>MC</sup>**

**Generador de línea láser LaserChalkLine™**

**Gerador de Linha Laser LaserChalkLine™**

**[www.DEWALT.com](http://www.DEWALT.com)**

**If you have questions or comments, contact us.  
Pour toute question ou tout commentaire, nous contacter.  
Si tiene dudas o comentarios, contáctenos.**

**1-800-4-DEWALT**

|           |    |
|-----------|----|
| English   | 1  |
| Français  | 10 |
| Español   | 19 |
| Português | 29 |

If you have any questions or comments about this or any DeWALT tool, call us toll free at: 1-800-4-DeWALT (1-800-433-9258).

## Safety Instructions for Lasers



**WARNING! Read and understand all instructions.** Failure to follow all instructions listed below may result in electric shock, fire and/or serious personal injury.

### SAVE THESE INSTRUCTIONS



**WARNING! Laser Radiation Exposure.** Do not disassemble or modify the laser level. There are no user serviceable parts inside. Serious eye injury could result.



**WARNING: Hazardous Radiation.** Use of controls or adjustments or performance of procedures other than those specified herein may result in hazardous radiation exposure.

- **Do not operate the laser in explosive atmospheres, such as in the presence of flammable liquids, gases, or dust.** Power tools create sparks which may ignite the dust or fumes.
- **Use the laser only with the specifically designated batteries.** Use of any other batteries may create a risk of fire.
- **Store idle laser out of reach of children and other untrained persons.** Lasers are dangerous in the hands of untrained users.
- **Use only accessories that are recommended by the manufacturer for your model.** Accessories that may be suitable for one laser, may create a risk of injury when used on another laser.
- **Tool service must be performed only by qualified repair personnel.** Service or maintenance performed by unqualified personnel may result in injury. To locate your nearest DeWALT service center call 1-800-4-DeWALT (1-800-433-9258) or go to <http://www.DeWALT.com> on the Internet.
- **Do not use optical tools such as a telescope or transit to view the laser beam.** Serious eye injury could result.
- **Do not place the laser in a position which may cause anyone to intentionally or unintentionally stare into the laser beam.** Serious eye injury could result.
- **Turn the laser off when it is not in use.** Leaving the laser on increases the risk of staring into the laser beam.
- **Do not disassemble the laser tool.** There are no user serviceable parts inside.
- **Do not modify the laser in any way.** Modifying the tool may result in Hazardous Laser Radiation Exposure.
- **Do not operate the laser around children or allow children to operate the laser.** Serious eye injury may result.
- **Do not remove or deface warning labels.** Removing labels increases the risk of exposure to radiation.
- **Position the laser securely on a level surface.** Damage to the laser or serious injury could result if the laser falls.



**WARNING:** Some dust created by power sanding, sawing, grinding, drilling, and other construction activities contains chemicals known to the State of California to cause cancer, birth defects or other reproductive harm. Some examples of these chemicals are:

- lead from lead-based paints,
- crystalline silica from bricks and cement and other masonry products, and
- arsenic and chromium from chemically-treated lumber.

Your risk from these exposures varies, depending on how often you do this type of work. To reduce your exposure to these chemicals: work in a well ventilated area, and work with approved safety equipment, such as those dust masks that are specially designed to filter out microscopic particles.

- **Avoid prolonged contact with dust from power sanding, sawing, grinding, drilling, and other construction activities.** Wear protective clothing and wash exposed areas with soap and water. Allowing dust to get into your mouth, eyes, or lay on the skin may promote absorption of harmful chemicals.



**WARNING:** Use of this tool can generate and/or disburse dust, which may cause serious and permanent respiratory or other injury. Always use NIOSH/OSHA approved respiratory protection appropriate for the dust exposure. Direct particles away from face and body.

- The label on your tool may include the following symbols.

V .....volts

mW .....milliwatts



.....laser warning symbol

nm .....wavelength in nanometers

II (2) .....Class II (2) Laser

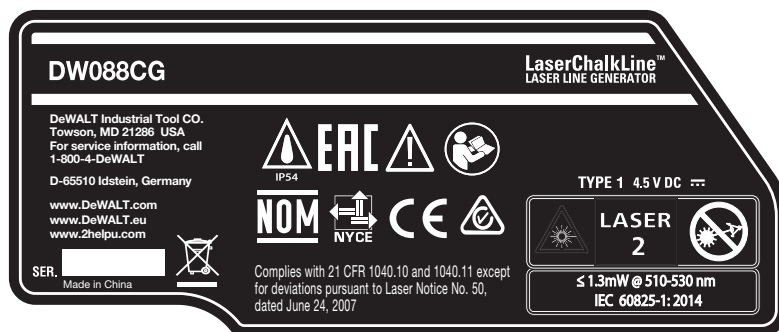
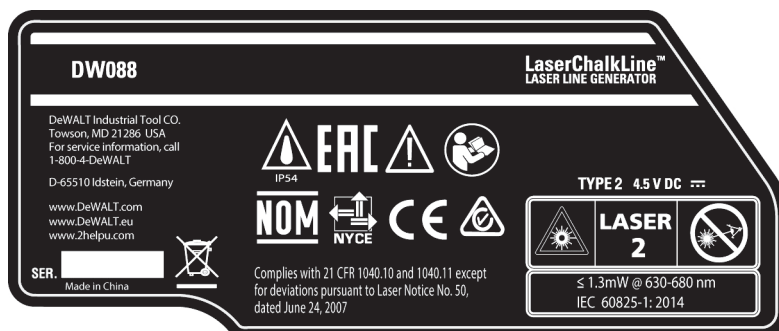
## ENGLISH

### Warning Labels

For your convenience and safety, the following label is on your laser.

 **CAUTION: LASER RADIATION - DO NOT STARE INTO THE LASER BEAM. CLASS II LASER PRODUCT.**

 **CAUTION: CLASS 2 LASER RADIATION WHEN OPEN DO NOT STARE INTO THE BEAM.**



## Laser Information

The DW088 LaserChalkLine™ Laser Line Generators are Class II (2) laser products and comply with 21 CFR 1040.10 and 1040.11 except for deviations pursuant to laser notice No. 50, dated June 24, 2007.

### Introduction

The DW088 lasers are self-leveling laser tools that can be used inside and outside for horizontal (level) vertical and plumb alignment projects.

### General Safety Rules For Battery Operated Tools

 **WARNING! Read and understand all instructions.** Failure to follow all instructions listed below may result in electric shock, fire and/or serious personal injury.

#### WORK AREA

- **Keep your work area clean and well lit.** Cluttered benches and dark areas invite accidents.
- **Do not operate power tools in explosive atmospheres, such as in the presence of flammable liquids, gases, or dust.** Power tools create sparks which may ignite the dust or fumes.
- **Keep bystanders, children, and visitors away while operating a power tool.** Distractions can cause you to lose control.

#### ELECTRICAL SAFETY

- **Use battery operated tool only with the specifically designed batteries.** Use of any other batteries may create a risk of fire.

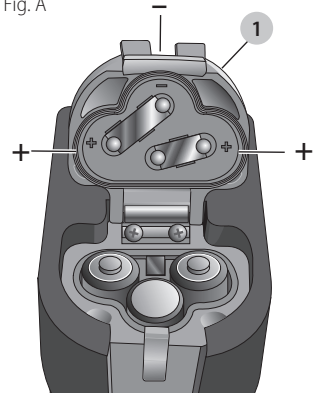
#### Battery

This tool is powered by three 1.5V AA size batteries.

## To install batteries:

1. Lift up the battery compartment cover ① as shown in Figure A.
2. Insert three fresh AA batteries in the compartment, placing the batteries according to (+) and (-) on the inside of the battery door.

Fig. A



**WARNING: Batteries can explode, or leak, and can cause injury or fire.** To reduce this risk:

- Carefully follow all instructions and warnings on the battery label and package.
- Always insert batteries correctly with regard to polarity (+ and -), marked on the battery and the equipment.
- Do not short battery terminals.
- Do not charge batteries.
- Do not mix old and new batteries. Replace all of them at the same time with new batteries of the same brand and type.
- Remove dead batteries immediately and dispose of per local codes.
- Do not dispose of batteries in fire.
- Keep batteries out of reach of children.
- Remove batteries if the device will not be used for several months.

## PERSONAL SAFETY

- **Stay alert, watch what you are doing and use common sense when operating a laser tool. Do not use tool while tired or under the influence of drugs, alcohol, or medication.** A moment of inattention while operating power tools may result in serious personal injury.
- **Do not overreach.** Keep proper footing and balance at all times. Proper footing and balance enables better control of the tool in unexpected situations.
- **Use safety equipment. Always wear eye protection.** Dust mask, non-skid safety shoes, hard hat, or hearing protection may be required for appropriate conditions.

## TOOL USE AND CARE

- **Do not use tool if switch does not turn it on or off.** Any tool that cannot be controlled with the switch is dangerous and must be repaired.
- **Store idle tools out of reach of children and other untrained persons.** Tools are dangerous in the hands of untrained users.
- **Use only accessories that are recommended by the manufacturer for your model.** Accessories that may be suitable for one tool, may become hazardous when used on another tool.

## SERVICE

- **Tool service must be performed only by qualified repair personnel.** Service or maintenance performed by unqualified personnel could result in a risk of injury.
- **When servicing a tool, use only identical replacement parts.** Follow instructions in the Maintenance section of this manual. Use of unauthorized parts or failure to follow Maintenance Instructions may create a risk of electric shock or injury.

To locate your nearest DeWALT service center call 1-800-4-DeWALT (1-800-433-9258) or go to <http://www.DeWALT.com> on the Internet.

## Operating Tips

- Use only new, high-quality, name brand batteries for best results.
- Ensure batteries are in good working condition. If the low battery red indicator light is flashing, the batteries need replacement.
- To extend battery life, turn laser off when not working with or marking the beam.
- To ensure the accuracy of your work, check to make sure your laser is calibrated often. See **Field Calibration Check**.
- Before attempting to use the laser, make sure it is positioned securely, on a smooth, flat surface.
- Always mark the center of the beam created by the laser.
- Extreme temperature changes may cause movement of internal parts that can affect accuracy. Check your accuracy often while working. See **Field Calibration Check**.
- If the laser has been dropped, check to make sure your laser is still calibrated. See **Field Calibration Check**.

## ENGLISH

### Low Battery Indication

The DW088 lasers are equipped with a red indicator light **2**, as shown in Figure B. The red indicator lights are located to the left of the on/off buttons **3**, **4**.

A flashing red indicator light indicates that the batteries are low and need to be replaced. The laser may continue to operate for a short time while the batteries continue to drain, but the beam(s) will quickly dim. After fresh batteries are installed and the laser is turned on again, the laser beam(s) will return to full brightness and the red indicator light will stay off. (A flashing laser beam is not caused by low batteries; see **Out of Tilt Range Indicator**.)

## OPERATION

### To Turn the Lasers On and Off (Fig. B)

With the laser off, place it on a flat surface. This model has two ON/OFF buttons, one for a horizontal laser line **3** and one for a vertical laser line **4**. Each laser line is powered on by pressing its ON/OFF button. The laser lines can be powered one at a time or at the same time. Pressing the ON/OFF buttons again turns the laser lines off.

### Using the Lasers

The beams are level or plumb as long as the calibration has been checked (see **Field Calibration Check**) and the laser beam is not flashing (see **Out of Tilt Range Indicator**).

### Out of Tilt Range Indicator (Fig. C, D)

The lasers are designed to self-level. If the laser has been tilted so much that it cannot level itself (average  $> 4^\circ$  tilt), it will flash the laser beam (Fig. D). The flashing beam indicates the tilt range has been exceeded and IS NOT LEVEL (OR PLUMB) AND SHOULD NOT BE USED FOR DETERMINING OR MARKING LEVEL (OR PLUMB). Try repositioning the laser on a more level surface.

Fig. C

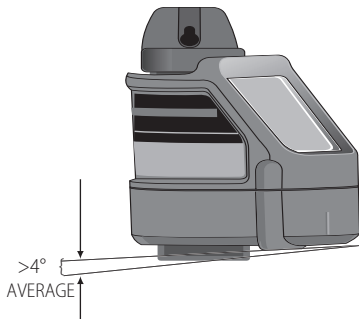


Fig. B

DW088

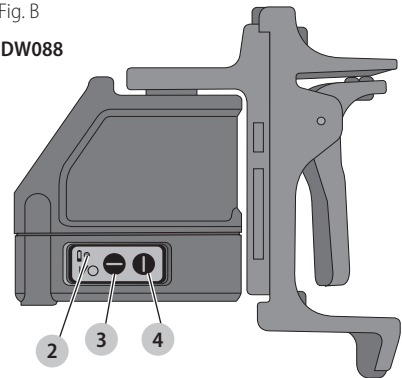
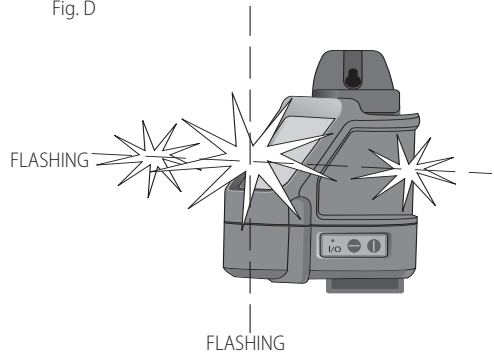


Fig. D



### Using the Lasers with Accessories

The lasers are equipped with a 1/4" x 20 female thread on the bottom of the unit. This thread is to accommodate current or future DeWALT accessories. Only use DeWALT accessories specified for use with this product. Follow the directions included with the accessory.



**CAUTION:** The use of any other accessory not recommended for use with this tool could be hazardous.

If you need any assistance in locating any accessory, please contact DeWALT Industrial Tool Co., 701 East Joppa Road, Towson, MD 21286 or call 1-800-4-DeWALT (1-800-433-9258). See our catalog on the World Wide Web at [www.DeWALT.com](http://www.DeWALT.com).

### Using the Pivot Bracket (Fig. E)

The lasers have a magnetic pivot bracket **5** permanently attached to the units. This bracket allows the unit to be mounted to any upright surface made of steel or iron. Common examples of suitable surfaces include steel framing studs, steel door frames and structural steel beams. The bracket also has a keyhole slot **6** allowing the unit to be hung from a nail or screw on any kind of surface. Position the laser and/or wall mount on a stable surface. Serious personal injury or damage to the laser may result if the laser falls.

## Using the Laser with the Wall Mount (Fig. E)

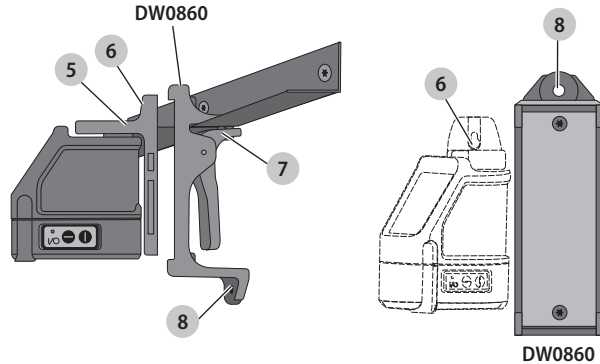
The DW0860 Laser Wall Mount offers more mounting options for the DW088 lasers. The wall mount has a clamp **7** at one end which can be fixed to a wall angle for acoustic ceiling installation. At the other end of the wall mount is a screw hole **8**, allowing the wall mount to be attached to any surface with a nail or screw.

Once the wall mount is secured, its steel plate provides a surface to which the magnetic pivot bracket can be attached. The position of the laser can then be fine-tuned by sliding the pivot bracket up or down on the wall mount.

## Leveling the Lasers

As long as the lasers are properly calibrated, the lasers are self-leveling. Each laser is calibrated at the factory to find level as long as it is positioned on a flat surface within average  $\pm 4^\circ$  of level. No manual adjustments must be made.

Fig. E



## MAINTENANCE

- To maintain the accuracy of your work, check the laser often to make sure it is properly calibrated. See **Field Calibration Check**.
- Calibration checks and other maintenance repairs may be performed by DeWALT service centers.
- When not in use, store the laser in the kit box provided. Do not store your laser at temperatures below  $-5^\circ\text{F}$  ( $-20^\circ\text{C}$ ) or above  $140^\circ\text{F}$  ( $60^\circ\text{C}$ ).
- Do not store your laser in the kit box if the laser is wet. The laser should be dried first with a soft dry cloth.

## Cleaning

Exterior plastic parts may be cleaned with a damp cloth. Although these parts are solvent resistant, NEVER use solvents. Use a soft, dry cloth to remove moisture from the tool before storage.

## Field Calibration Check

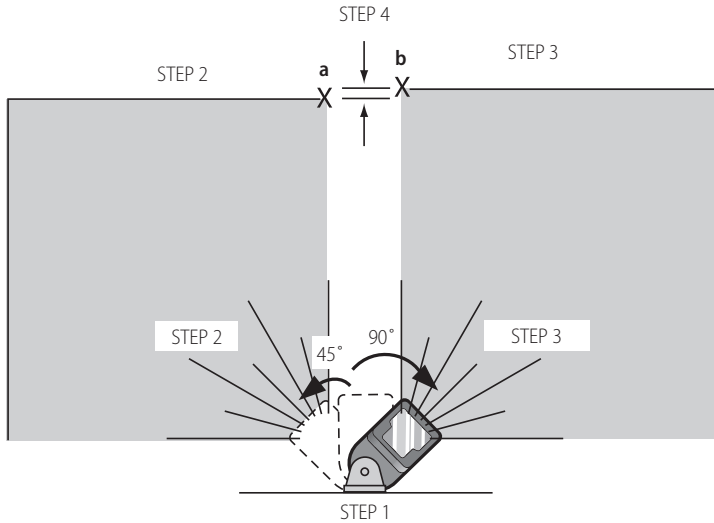
### Checking Accuracy – Horizontal Beam, Scan Direction (Fig. F)

Checking the horizontal scan calibration of the laser requires two walls  $30'$  ( $9\text{ m}$ ) apart. It is important to conduct a calibration check using a distance no shorter than the distance of the applications for which the tool will be used.

1. Attach the laser to a wall using its pivot bracket. Make sure the laser is facing straight ahead.
2. Turn on the laser's horizontal beam and pivot the laser approximately  $45^\circ$  so that the right-most end of the laser line is striking the opposing wall at a distance of at least  $30'$  ( $9\text{ m}$ ). Mark the center of the beam **(a)**.
3. Pivot the laser approximately  $90^\circ$  to bring the left-most end of the laser line around to the mark made in Step 2. Mark the center of the beam **(b)**.
4. Measure the vertical distance between the marks.
5. If the measurement is greater than the values shown below, the laser must be serviced at an authorized service center.

| Distance Between Walls  | Allowable Distance Between Marks |
|-------------------------|----------------------------------|
| $30'$ ( $9\text{ m}$ )  | $1/8"$ ( $3.0\text{ mm}$ )       |
| $40'$ ( $12\text{ m}$ ) | $5/32"$ ( $4.0\text{ mm}$ )      |
| $50'$ ( $15\text{ m}$ ) | $7/32"$ ( $5.0\text{ mm}$ )      |

Fig. F

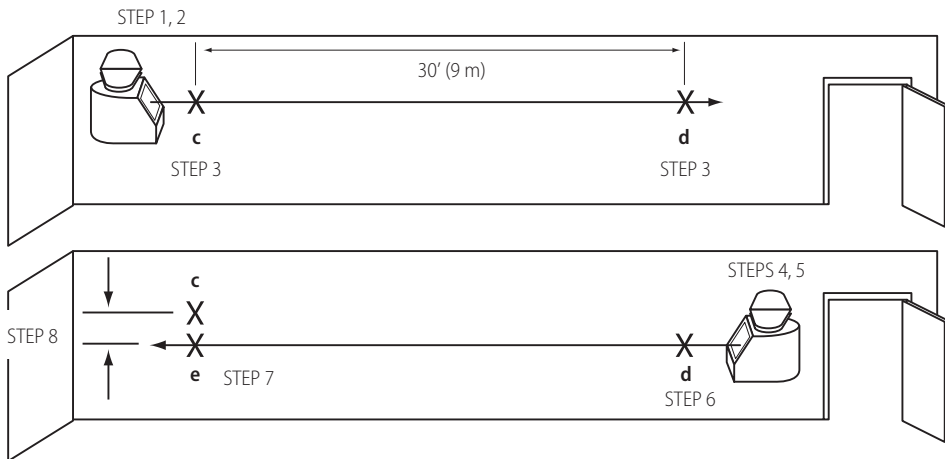


**Checking Accuracy – Horizontal Beam, Pitch Direction (Fig. G)**

Checking the horizontal pitch calibration of the laser requires a single wall at least 30’ (9 m) long. It is important to conduct a calibration check using a distance no shorter than the distance of the applications for which the tool will be used.

1. Attach the laser to one end of a wall using its pivot bracket.
2. Turn on the laser’s horizontal beam and pivot the laser toward the opposite end of the wall and approximately parallel to the adjacent wall.
3. Mark the center of the beam at two locations (**c, d**) at least 30’ (9m) apart.

Fig. G



4. Reposition the laser to the opposite end of the wall.
5. Turn on the laser’s horizontal beam and pivot the laser back toward the first end of the wall and approximately parallel to the adjacent wall.
6. Adjust the height of the laser so that the center of the beam is aligned with the nearest mark (**d**).
7. Mark the center of the beam (**e**) directly above or below the farthest mark (**c**).
8. Measure the distance between these two marks (**c, e**).
9. If the measurement is greater than the values shown below, the laser must be serviced at an authorized service center.



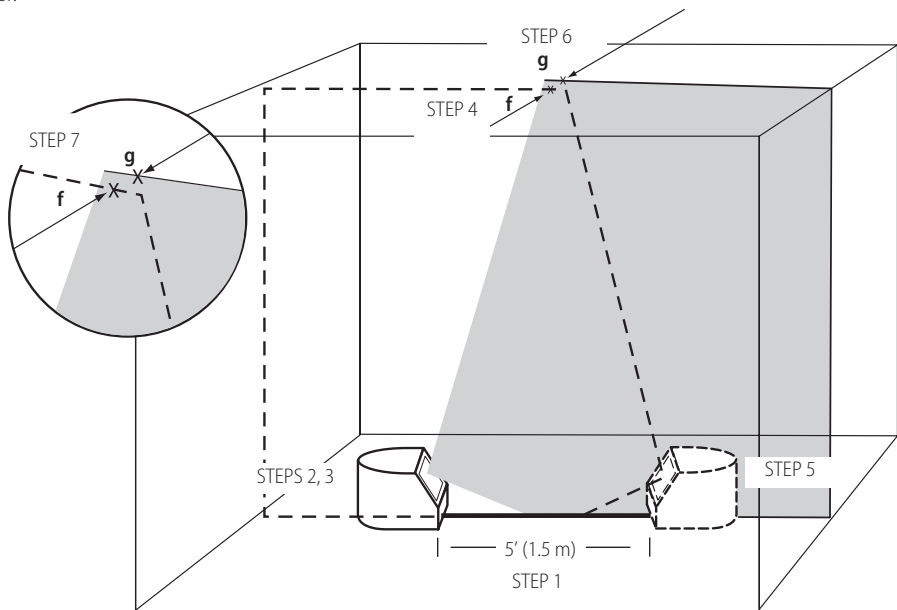
| Distance Between Walls | Allowable Distance Between Marks |
|------------------------|----------------------------------|
| 30' (9 m)              | 1/4" (6.0 mm)                    |
| 40' (12 m)             | 5/16" (8.0 mm)                   |
| 50' (15 m)             | 13/32" (10.0 mm)                 |

### Checking Accuracy – Vertical Beam (Fig. H)

Checking the vertical (plumb) calibration of the laser can be most accurately done when there is a substantial amount of vertical height available, ideally 30' (9m), with one person on the floor positioning the laser and another person near a ceiling to mark the position of the beam. It is important to conduct a calibration check using a distance no shorter than the distance of the applications for which the tool will be used.

1. Start by marking a 5' (1.5 m) line on the floor.
2. Turn on the laser's vertical beam and position the unit at one end of the line, facing the line.
3. Adjust the unit so its beam is aligned and centered on the line on the floor.
4. Mark the position of the laser beam on the ceiling (**f**). Mark the center of the laser beam directly over the midpoint of the line on the floor.

Fig. H



5. Reposition the laser at the other end of the line on the floor. Adjust the unit once again so its beam is aligned and centered on the line on the floor.
6. Mark the position of the laser beam on the ceiling (**g**), directly beside the first mark (**f**).
7. Measure the distance between these two marks.
8. If the measurement is greater than the values shown below, the laser must be serviced at an authorized service center.

| Ceiling Allowable Distance | Between Marks Height |
|----------------------------|----------------------|
| 8' (2.5 m)                 | 5/32 (3,5 mm)        |
| 10' (3.0 m)                | 3/16 (4,5 mm)        |
| 14' (4.0 m)                | 1/4 (6,0 mm)         |
| 20' (6.0 m)                | 3/8 (9,0 mm)         |
| 30' (9.0 m)                | 1/2 (13 mm)          |

## Troubleshooting

### The Laser Does Not Turn On

- Make sure batteries are installed according to (+) and (-) on the inside of the battery door.
- Make sure the batteries are in proper working condition. If in doubt, try installing new batteries.
- Make sure that the battery contacts are clean and free of rust or corrosion. Be sure to keep the laser level dry and use only new, high-quality, name brand batteries to reduce the chance of battery leakage.
- If the laser unit is heated above 120 °F (50 °C), the unit will not turn on. If the laser has been stored in extremely hot temperatures, allow it to cool. The laser level will not be damaged by pressing the on/off button before cooling to its proper operating temperature.

### The Laser Beams Flash (Fig. C, D)

The DW088 lasers have been designed to self-level up to an average of 4° in all directions when positioned as shown in Figure C. If the laser is tilted so much that internal mechanism cannot level itself, it will flash the laser (Fig. D) – the tilt range has been exceeded. THE FLASHING BEAMS CREATED BY THE LASER ARE NOT LEVEL OR PLUMB AND SHOULD NOT BE USED FOR DETERMINING OR MARKING LEVEL OR PLUMB. Try repositioning the laser on a more level surface.

### The Laser Beams Will Not Stop Moving

The DW088 lasers are precision instruments. Therefore, if the laser is not positioned on a stable (and motionless) surface, the laser will continue to try to find level. If the beam will not stop moving, try placing the laser on a more stable surface. Also, try to make sure that the surface is relatively flat, so that the laser is stable.

## Service and Repairs

**NOTE:** Disassembling the laser level(s) will void all warranties on the product.

To assure product SAFETY and RELIABILITY, repairs, maintenance and adjustment should be performed by authorized service centers. Service or maintenance performed by unqualified personnel may result in a risk of injury. To locate your nearest DeWALT service center call 1-800-4-DeWALT (1-800-433-9258) or go to <http://www.DeWALT.com> on the Internet.

| SPECIFICATIONS        | DW088  | DW088CG              |
|-----------------------|--|----------------------|
| Light Source          | Semiconductor laser diode                      | √                    |
| Laser Wavelength      | 630 – 680 nm Visible                           | 510 – 530 nm Visible |
| Laser Power           | <1.3 mW (each beam) CLASS II (2) LASER PRODUCT | √                    |
| Working Range         | 165' (50 m) (with detector)                    | √                    |
| Accuracy (Level)      | ± 1/8" per 30' (±3 mm per 9 m)                 | √                    |
| Indicators            | Flashing Indicator: battery low                | √                    |
|                       | Flashing Laser: tilt range exceeded            | √                    |
| Power Source          | 3 AA (1.5V) size batteries (4.5V DC)           | √                    |
| Operating Temperature | 20 °F to 115 °F (-10 °C to 45 °C)              | √                    |
| Storage Temperature   | -5 °F to 140 °F (-20 °C to 60 °C)              | √                    |
| Environmental         | Water Resistant                                | √                    |

## Three Year Limited Warranty

DeWALT will repair, without charge, any defects due to faulty materials or workmanship for three years from the date of purchase. This warranty does not cover part failure due to normal wear or tool abuse. For further detail of warranty coverage and warranty repair information, visit [www.DeWALT.com](http://www.DeWALT.com) or call 1-800-4-DeWALT (1-800-433-9258). This warranty does not apply to accessories or damage caused where repairs have been made or attempted by others. This warranty gives you specific legal rights and you may have other rights which vary in certain states or provinces.

In addition to the warranty, DeWALT tools are covered by our:

### 1 YEAR FREE SERVICE

DeWALT will maintain the tool and replace worn parts caused by normal use, for free, any time during the first year after purchase.

### 90 DAY MONEY BACK GUARANTEE

If you are not completely satisfied with the performance of your DeWALT Power Tool, Laser, or Nailer for any reason, you can return it within 90 days from the date of purchase with a receipt for a full refund – no questions asked.

**RECONDITIONED PRODUCT:** Reconditioned product is covered under the 1 Year Free Service Warranty. The 90 Day Money Back Guarantee and the Three Year Limited Warranty do not apply to reconditioned product.

**FREE WARNING LABEL REPLACEMENT:** If your warning labels become illegible or are missing, call 1-800-4-DeWALT or visit your local service center for a free replacement.

## FRANÇAIS

Si vous avez des questions ou vous voulez nous faire part de vos commentaires concernant cet outil ou tout autre outil DeWALT, composez sans frais le : 1 800 433-9258 (1-800-4-DeWALT).

### Consignes de sécurité importantes pour lasers



**AVERTISSEMENT : Lire, comprendre et suivre toutes les directives précisées ci-dessous afin d'éviter les risques de choc électrique, d'incendie ou de blessure grave.**

#### CONSERVER CES DIRECTIVES



**AVERTISSEMENT : Exposition à des radiations laser. Ne pas démonter ou modifier le niveau laser. Il ne comporte à l'intérieur aucune pièce réparable par l'utilisateur. De sérieuses lésions oculaires pourraient en résulter.**



**AVERTISSEMENT : Radiation dangereuse.** Toute utilisation des commandes ou exécution des procédures ou tout réglage non conforme aux spécifications incluses dans les présentes pose des risques d'exposition à des radiations laser dangereuses.

- **Ne pas utiliser le laser dans une atmosphère explosive, comme en présence de liquide, de gaz ou de poussière inflammable.** Les outils électriques peuvent engendrer des étincelles qui pourraient enflammer toute émanation ou poussière environnante.
- **N'utiliser que des piles spécialement conçues pour les lasers;** l'usage de tout autre type de pile pourrait entraîner des risques d'incendie.
- **Lorsqu'on n'utilise pas le laser, le ranger hors de la portée des enfants ou des personnes non qualifiées;** les lasers sont dangereux entre les mains de personnes inexpérimentées.
- **N'utiliser que les accessoires recommandés par le fabricant pour le modèle concerné;** un accessoire destiné à un laser particulier peut devenir dangereux lorsqu'il est utilisé avec un autre.
- **L'outil doit être entretenu par le personnel qualifié seulement;** tout entretien effectué par une personne non qualifiée pourrait entraîner des risques de blessure. Pour trouver le centre de service DeWALT le plus proche, appeler le 1-800-4-DeWALT (1-800-433-9258) ou se rendre sur le site Internet <http://www.DeWALT.com>.
- **Ne pas utiliser un dispositif optique, tel qu'un télescope ou une lunette de passage, pour examiner le faisceau laser** afin d'éviter de blesser grièvement les yeux.
- **Ne pas mettre le laser dans une position qui pourrait encourager une personne à regarder directement le faisceau laser, volontairement ou involontairement,** car cela pourrait blesser grièvement les yeux.
- **Mettre le laser hors tension après chaque utilisation,** car un laser laissé sous tension augmente les risques que quelqu'un regarde directement le faisceau laser.
- **Ne pas démonter l'outil laser.** Il ne comporte à l'intérieur aucune pièce réparable par l'utilisateur.
- **Ne modifier le laser en aucune façon.** Le fait de modifier l'outil pose des risques d'exposition à des radiations laser dangereuses.
- **Ne pas utiliser le laser en présence d'un enfant, ni autoriser les enfants à utiliser le laser** afin d'éviter les blessures graves aux yeux.
- **Ne pas retirer ni abîmer les étiquettes d'avertissement;** le fait de retirer les étiquettes augmentera les risques d'exposition aux radiations laser.
- **S'assurer de bien déposer le laser sur une surface de niveau** afin de l'empêcher de tomber et de s'endommager ou de blesser l'utilisateur.



**AVERTISSEMENT :** les scies, meules, ponceuses, perceuses ou autres outils de construction peuvent produire des poussières contenant des produits chimiques reconnus par l'État californien pour causer cancers, malformations congénitales ou être nocifs au système reproducteur. Parmi ces produits chimiques, on retrouve :

- Le plomb dans les peintures à base de plomb ;
- La silice cristallisée dans les briques et le ciment, ou autres produits de maçonnerie ; et
- L'arsenic et le chrome dans le bois ayant subi un traitement chimique.

Le risque associé à de telles expositions varie selon la fréquence à laquelle on effectue ces travaux. Pour réduire toute exposition à ces produits : travailler dans un endroit bien aéré, en utilisant du matériel de sécurité homologué, tel un masque antipoussières spécialement conçu pour filtrer les particules microscopiques.

- **Limiter toute exposition prolongée avec les poussières provenant du ponçage, sciage, meulage, perçage ou toute autre activité de construction. Porter des vêtements de protection et nettoyer à l'eau savonneuse les parties du corps exposées.** Le fait de laisser la poussière pénétrer dans la bouche, les yeux ou la peau peut favoriser l'absorption de produits chimiques dangereux.



**AVERTISSEMENT :** cet outil peut produire et/ou répandre de la poussière susceptible de causer des dommages sérieux et permanents au système respiratoire. Utiliser systématiquement un appareil de protection des voies respiratoires homologué par le NIOSH ou l'OSHA. Diriger les particules dans le sens opposé au visage et au corps.

- L'étiquette apposée sur l'outil peut afficher les symboles suivants :

V ..... volts

mW ..... milliwatts



..... symbole d'avertissement laser

nm ..... longueur d'onde exprimée en nanomètres

II (2) ..... Laser de classe II (2)

## Étiquettes d'avertissement

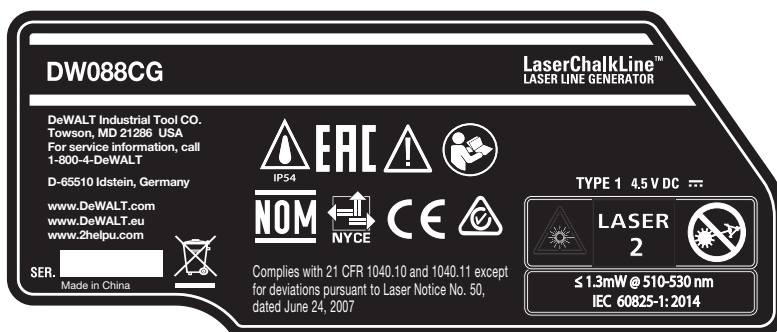
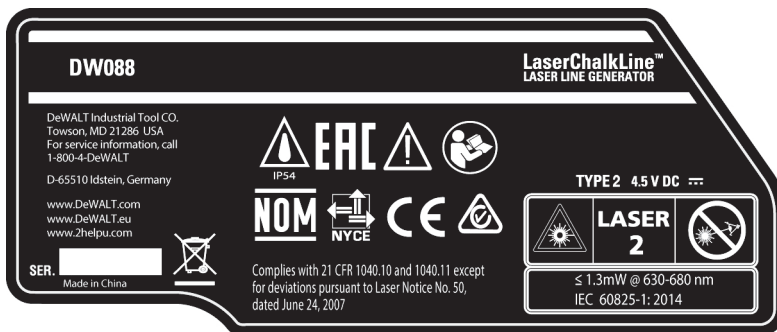
Pour des raisons de commodités et de sécurité, l'étiquette suivante est apposée sur ce produit.



**ATTENTION : RADIATION LASER - NE JAMAIS FIXER LE FAISCEAU LASER DES YEUX. APPAREIL LASER DE CLASSE II (2).**



**ATTENTION : RADIATIONS LASER DE CLASSE 2, NE PAS FIXER LE FAISCEAU DES YEUX PENDANT SON FONCTIONNEMENT.**



## Informations relatives au laser

Les générateurs de faisceaux laser LaserChalkLine<sup>MC</sup>, DW088, sont des appareils laser de classe II (2) et sont conformes aux réglementations 21 CFR 1040.10 et 1040.11 excepté pour ce qui concerne certaines déviations relatives à la décision n° 50 en date du 24 juin 2007.

### Introduction

Les niveaux laser sont des appareils laser auto niveleurs qui peuvent être utilisés à l'intérieur comme à l'extérieur pour un nivellement horizontal et vertical

## Règles de sécurité concernant les outils à piles – généralités



**AVERTISSEMENT : Lire, comprendre et suivre toutes les directives précisées ci-dessous afin d'éviter les risques de choc électrique, d'incendie ou de blessure grave.**

### AIRE DE TRAVAIL

- **Garder l'aire de travail propre et bien éclairée;** les établis encombrés et les endroits sombres sont propices aux accidents.
- **Ne pas utiliser les outils électriques dans une atmosphère explosive, comme à proximité de liquides, de gaz ou de poussières inflammables;** le moteur peut créer des étincelles et enflammer les vapeurs ou les poussières environnantes.

## FRANÇAIS

- **Tenir les enfants, les visiteurs ou toute autre personne à l'écart lorsqu'on utilise un outil électrique;** les distractions peuvent faire perdre la maîtrise de ce dernier.

## MESURES DE SÉCURITÉ- ÉLECTRICITÉ

- **N'utiliser l'outil à piles qu'avec les piles désigné,** car l'utilisation d'un autre type de piles peut entraîner un risque d'incendie.

### Piles

Cet appareil fonctionne sur trois piles AA 1,5 V.

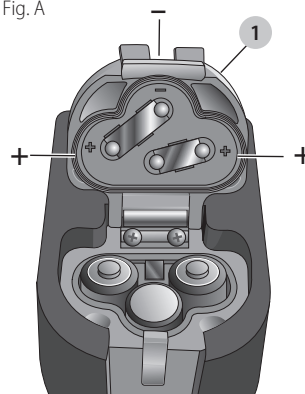
### Pour installer les piles:

1. Ouvrir le couvercle du compartiment des piles 1 comme illustré en Figure A.
2. Insérer trois piles AA neuves dans le compartiment, en s'assurant de bien les disposer conformément aux signes (+) et (-) sur le couvercle du boîtier.

**⚠ AVERTISSEMENT : Les piles peuvent exploser ou fuir, et posent des risques de blessure ou d'incendie.** Pour réduire ces risques :

- Suivre attentivement toute instruction ou tout avertissement inclus sur l'étiquette ou l'emballage des piles.
- Lors de l'installation, toujours respecter la polarité (+ et -) inscrite sur les piles et le matériel.
- Ne pas court-circuiter les bornes.
- Ne pas recharger les piles.
- Ne pas mélanger des piles neuves avec des piles usagées. Les remplacer toutes en même temps avec des piles de la même marque ou du même type.
- Retirer les piles mortes immédiatement et s'en faire conformément à la réglementation locale.
- Ne pas jeter les piles au feu.
- Conserver les piles hors de la portée des enfants.
- Retirer les piles lorsque l'appareil n'est pas utilisé pendant plusieurs mois.

Fig. A



## SÉCURITÉ PERSONNELLE

- **Rester vigilant en tout temps et faire preuve de jugement lorsqu'on utilise un outil électrique.** Ne pas utiliser l'outil lorsqu'on est fatigué ou sous l'influence de drogues, d'alcool ou de médicaments, car un moment d'inattention pourrait entraîner des blessures graves.
- **Ne pas trop étendre les bras.** Les pieds doivent rester ancrés fermement au sol afin de maintenir son équilibre en tout temps et de mieux maîtriser l'outil dans des situations imprévues.
- **Utiliser le matériel de sécurité approprié; toujours porter des lunettes de protection.** Porter un masque anti-poussières, des chaussures antidérapantes, un casque de sécurité ou des protecteurs auditifs lorsque la situation le requiert.

## UTILISATION ET ENTRETIEN DE L'OUTIL

- **Ne pas utiliser l'outil lorsque l'interrupteur marche-arrêt ne fonctionne pas.** Tout outil qui ne peut être commandé au moyen de l'interrupteur est dangereux et doit être réparé.
- **Lorsqu'on n'utilise pas l'outil, le ranger hors de la portée des enfants ou des personnes non qualifiées.** Les outils sont dangereux entre les mains de personnes inexpérimentées.
- **N'utiliser que les accessoires recommandés par le fabricant pour le modèle concerné.** Un accessoire destiné à un outil particulier peut devenir dangereux lorsqu'il est utilisé avec un autre.

## ENTRETIEN

- **L'outil doit être entretenu par du personnel qualifié seulement;** tout entretien effectué par une personne non qualifiée pourrait entraîner des risques de blessure.
- **Lors de l'entretien, n'utiliser que des pièces de rechange identiques et suivre les directives précisées à la section « Entretien » du présent manuel** afin de prévenir les risques de choc électrique ou de blessure

Pour trouver le centre de service DeWALT le plus proche, appeler le 1 800-433-9258 (1-800-4-DeWALT) ou se rendre sur le site Internet <http://www.DeWALT.com>.

## Conseils d'utilisation

- Pour des résultats optimum, n'utiliser que des piles de marque, neuves et de qualité supérieure.
- S'assurer que les piles fonctionnent correctement. Si le voyant de charge clignote, les piles doivent être changées.

- Pour augmenter la durée de vie des piles, arrêter le laser en fin d'utilisation ou réglage du faisceau.
- Pour assurer la précision de votre travail, vérifier souvent l'étalement du laser. Se reporter à la section **Vérification de l'étalement**.
- Avant toute utilisation du laser, s'assurer qu'il est fermement placé sur une surface lisse et plane.
- Toujours marquer le centre du point ou du motif émis par le laser.
- Des changements extrêmes de température peuvent causer des fluctuations dans les pièces internes pouvant altérer la précision. Vérifier souvent l'étalement pendant le travail. Se reporter à la section **Vérification de l'étalement**.
- S'assurer de bien vérifier l'étalement du laser en cas de chute de ce dernier. Se reporter à la section **Vérification de l'étalement**.

### Indicateur de charge

Les lasers sont équipés d'un voyant rouge **2**, comme illustré en Figure B. Les voyants rouges sont situés sur la gauche des boutons ON/OFF (marche/arrêt, **3**, **4**).

Lorsque le voyant rouge clignote, cela indique que les piles sont faibles et doivent être changées. Le laser fonctionnera peut être encore un moment alors que les piles continueront de se vider, mais le faisceau faiblira rapidement. Après l'installation de piles neuves et la remise en marche du laser, le voyant rouge restera éteint et le(s) faisceau(x) retrouveront pleine puissance. (Des piles faibles ne sont pas la cause d'un faisceau clignotant; se reporter à la section **Voyant de défaut d'inclinaison**.)

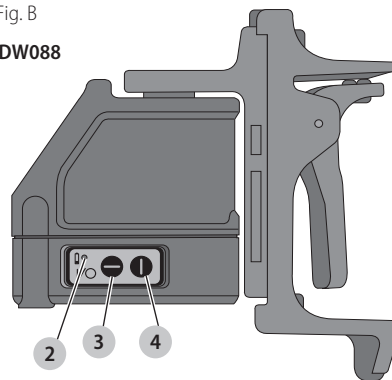
## FONCTIONNEMENT

### Pour allumer ou arrêter les lasers (Fig. B)

Disposer le laser arrêté sur une surface plane. Ce modèle a été conçu avec deux boutons marche/arrêt, l'un pour un faisceau laser horizontal **3** et l'autre pour un faisceau vertical **4**. Chaque faisceau est activé en appuyant sur son bouton ON/OFF respectif. Les faisceaux laser peuvent être allumés l'un après l'autre ou les deux en même temps. Réappuyer sur les boutons ON/OFF éteindra les faisceaux laser.

Fig. B

DW088



### Utilisation du laser

Les faisceaux sont de niveau ou d'aplomb tant que l'étalement a été vérifié (se reporter à la section **Vérification de l'étalement**) ou qu'aucun faisceau ne clignote (se reporter à la section **Voyant de défaut d'inclinaison**).

### Voyant de défaut d'inclinaison (Fig. C, D)

Les lasers ont été conçus pour s'autoniveler. Si le laser a été penché de telle façon qu'il ne peut pas s'autoniveler (inclinaison moyenne  $> 4^\circ$ ), son faisceau clignotera (Fig. D). Le faisceau clignotant indique que la plage d'inclinaisons a été dépassée et QUE LE LASER N'EST PLUS AU NIVEAU (OU D'APLOMB) ET NE DOIT PLUS ÊTRE UTILISÉ POUR DÉTERMINER OU MARQUER LE NIVEAU (OU L'APLOMB). Essayer de repositionner le laser sur une surface plus plane.

Fig. C

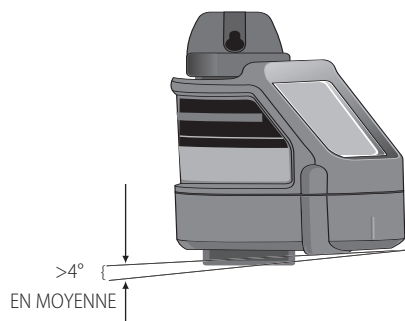
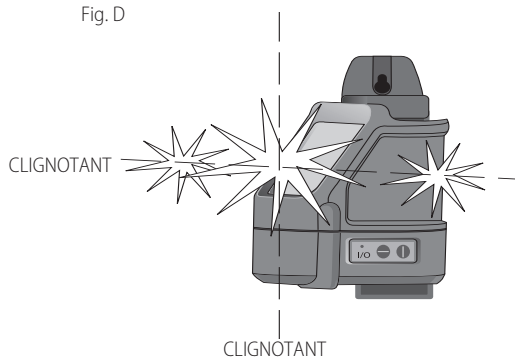


Fig. D



## FRANÇAIS

### Utilisation des lasers avec des accessoires

Les lasers sont équipés d'une prise femelle de 1/4 po x 20 à leur base. Ce filetage est destiné à accommoder des accessoires DeWALT existants et futurs. N'utiliser que les accessoires DeWALT spécifiques à ce produit. Suivre les instructions fournies avec l'accessoire.



**ATTENTION :** L'usage de tout autre accessoire non recommandé avec cet outil peut présenter un danger.

Si vous avez besoin d'aide pour localiser ces accessoires, veuillez contacter DeWALT Industrial Tool Co., 701 East Joppa Road, Towson, MD 21286 ou appeler le 1 800-433-9258 (1-800-4-DeWALT). Voir aussi notre catalogue sur l'Internet à [www.DeWALT.com](http://www.DeWALT.com).

### Utilisation d'un support pivotant (Fig. E)

Les lasers sont munis d'un support pivotant magnétique **5** attaché de façon permanente à l'appareil. Ce support permet que l'appareil soit installé sur n'importe quelle surface en acier ou en fer. Les exemples de surfaces adéquates comprennent : supports de charpente en acier, baguettes d'angle pour placoplâtre, dormants de porte en acier, et poutres de charpente en acier. Le support est aussi muni d'un œillet **6** pour permettre à l'appareil d'être suspendu à un clou ou une vis sur n'importe quelle surface. Positionner le laser et/ou support mural sur une surface stable. Faire tomber le laser pourrait entraîner de sérieuses blessures personnelles ou endommager le laser.

### Utilisation du laser sur la fixation murale (Fig. E)

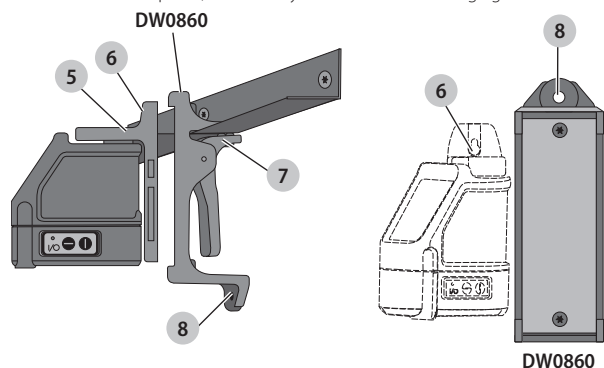
La fixation murale du laser DW0860 offre plus d'options d'installation pour les lasers DW088. La fixation murale est munie d'une pince **7** à l'un de ses bouts qui peut s'accrocher sur l'angle d'un mur pour l'installation d'un plafond acoustique. À l'autre bout de la fixation murale, il y a un œillet **8**, qui permet d'accrocher la fixation murale sur n'importe quelle surface à l'aide d'un clou ou d'une vis.

Une fois la fixation murale en place, sa base d'acier fournit une surface sur laquelle le support pivotant peut être rattaché. La position du laser peut alors être ajustée en faisant glisser le support pivotant de haut en bas sur la fixation murale.

### Nivelage des lasers

Tant que les lasers ont correctement étalonnés, ils présentent un nivellement automatique. Chaque laser est étalonné à l'usine pour trouver l'aplomb tant qu'il est posé sur une surface plane, dans un rayon de  $\pm 4^\circ$ . Aucun réglage manuel n'est nécessaire.

Fig. E



## ENTRETIEN

- Pour maintenir la précision de votre travail, vérifier souvent le laser pour s'assurer qu'il est correctement étalonné. Se reporter à la section **Vérification de l'étalonnage**.
- L'étalonnage et toute autre réparation d'entretien peuvent être fait par les centres de service DeWALT.
- Après utilisation, ranger le laser dans la mallette fournie à cet effet. Ne pas l'entreposer à des températures inférieures à  $-20^\circ\text{C}$  ( $-5^\circ\text{F}$ ) ou supérieures à  $60^\circ\text{C}$  ( $140^\circ\text{F}$ ).
- Ne pas ranger le laser dans sa mallette s'il est humide. Le sécher tout d'abord avec un linge sec et doux.

## Nettoyage

Les parties externes plastifiées peuvent être nettoyées à l'aide d'un linge humide. Bien que ces parties soient résistantes aux solvants, NE JAMAIS utiliser de solvants. Utiliser un linge sec et doux pour éliminer toute condensation sur l'appareil avant de le ranger.



## Vérification de l'étalonnage

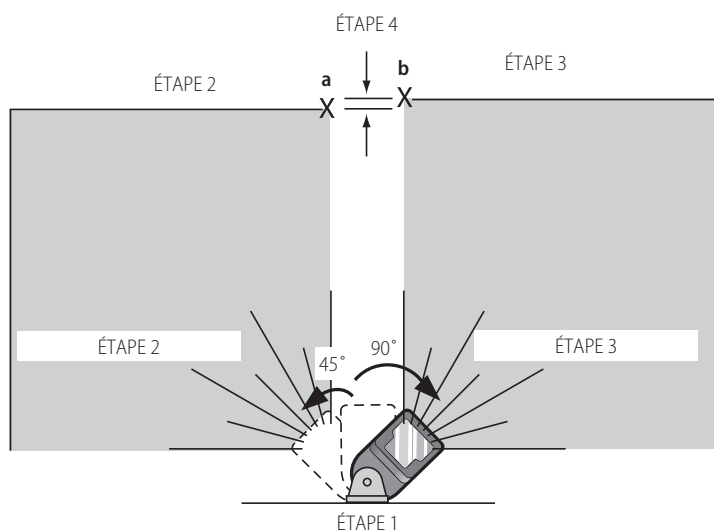
### Vérification de la précision – faisceau horizontal, direction de balayage (Fig. F)

Pour vérifier l'étalonnage du balayage horizontal du laser, il faut deux murs à 9 m (30 pi) l'un de l'autre. Il est important de faire un étalonnage sur une longueur supérieure à celle des applications pour lequel l'appareil est destiné.

1. Fixer le laser au mur à l'aide du support pivotant. S'assurer que le laser est dirigé droit devant.
2. Allumer le faisceau horizontal du laser et faire pivoter ce dernier d'approximativement 45 ° pour que l'extrémité la plus à droite du faisceau touche le mur opposé éloigné d'au moins 9 m (30 pi). Marquer le centre du faisceau (**a**).
3. Faire pivoter le laser d'approximativement 90 ° pour amener l'extrémité la plus à gauche du faisceau près de la marque faites à l'étape 2. Marquer le centre du faisceau (**b**).
4. Mesurer la verticale entre les deux marques.
5. Si cette mesure est supérieure aux valeurs données ci-dessous, rapporter le laser à un centre de service autorisé pour entretien.

| Distance entre les murs | Distance acceptable entre les marques |
|-------------------------|---------------------------------------|
| 9 m (30 pi)             | 3,0 mm (1/8 po)                       |
| 12 m (40 pi)            | 4,0 mm (5/32 po)                      |
| 15 m (50 pi)            | 5,0 mm (7/32 po)                      |

Fig. F

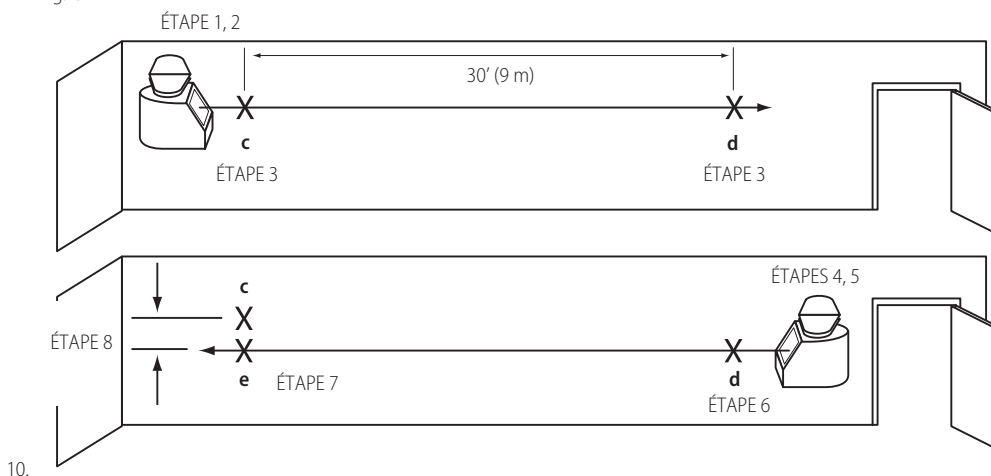


### Vérification de la précision – faisceau horizontal, direction d'inclinaison (Fig. G)

Pour calibrer le degré d'inclinaison horizontale du laser, il suffit d'un seul mur d'au moins 9 m (30 pi) de long. Il est important de faire un étalonnage sur une longueur supérieure à celle des applications pour lequel l'appareil est destiné.

1. Fixer le laser sur un des bouts du mur à l'aide du support pivotant.
2. Allumer le faisceau horizontal du laser et faire pivoter ce dernier vers l'autre bout du mur à peu près parallèlement au mur adjacent.
3. Marquer le centre du faisceau à deux endroits (**c**, **d**) séparé d'au moins 9 m (30 pi).
4. Repositionner le laser à l'autre bout du mur.
5. Allumer le faisceau horizontal du laser et refaire pivoter ce dernier vers le premier bout de mur à peu près parallèlement au mur adjacent.
6. Régler la hauteur du laser de façon à ce que le centre du faisceau soit aligné avec la marque la plus proche (**d**).
7. Marquer le centre du faisceau (**e**) directement au-dessus ou au-dessous de la marque la plus éloignée (**c**).
8. Mesurer la distance entre ces deux marques (**c**, **e**).
9. Si cette mesure est supérieure aux valeurs données ci-dessous, rapporter le laser à un centre de service autorisé pour entretien.

Fig. G



10.

| Distance entre les murs | Distance acceptable entre les marques |
|-------------------------|---------------------------------------|
| 9 m (30 pi)             | 6,0 mm (1/4 po)                       |
| 12 m (40 pi)            | 8,0 mm (5/16 po)                      |
| 15 m (50 pi)            | 10,0 mm (13/32 po)                    |

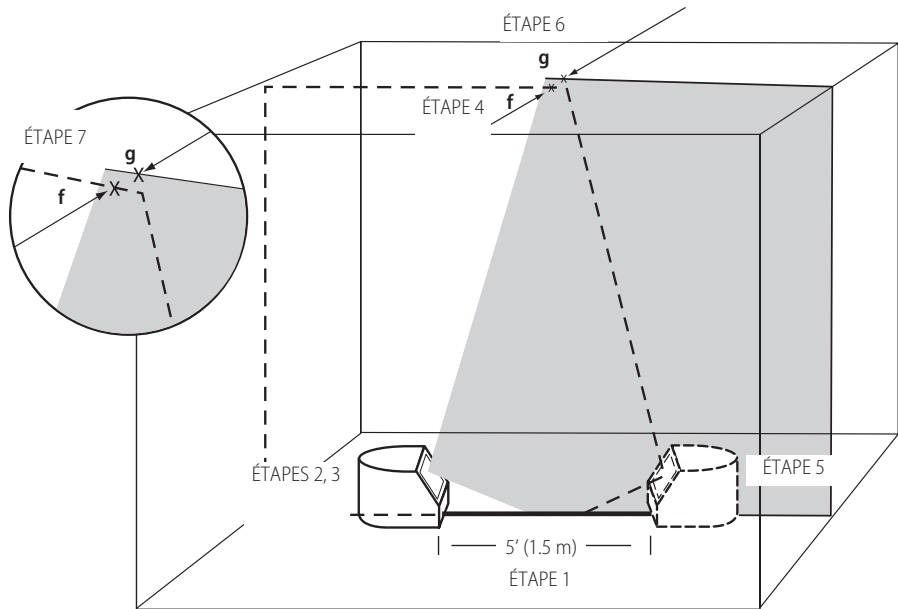
### Vérification de la précision – faisceau vertical (Fig. H)

La vérification de l'aplomb du laser est plus précise lorsqu'elle est effectuée sur une verticale de longueur substantielle, idéalement 9 m (30 pi), avec une personne au sol pour positionner le laser et une autre près du plafond pour y marquer la position du faisceau. Il est important de faire un étalonnage sur une longueur supérieure à celle des applications pour lequel l'appareil est destiné.

- Commencer par faire une ligne de 1,5 m (5 pi) au sol.
- Allumer le faisceau vertical du laser et positionner l'appareil à l'un des bouts de la ligne, en faisant face à cette dernière.
- Régler l'appareil de façon à ce que le faisceau soit aligné et centré sur la ligne sur le sol.
- Marquer la position du faisceau sur le plafond (**f**). Marquer le centre du faisceau directement au milieu de la ligne sur le sol.
- Repositionner le laser à l'autre bout de la ligne sur le sol. Régler l'appareil de façon à ce que le faisceau soit aligné et centré sur la ligne sur le sol.
- Marquer la position du faisceau sur le plafond (**g**), directement à côté de la première marque (**f**).
- Mesurer la distance entre ces deux marques.
- Si cette mesure est supérieure aux valeurs données ci-dessous, retourner le laser à un centre de service autorisé pour entretien.
- 

| Hauteur de Plafond | Distance acceptable entre les marques |
|--------------------|---------------------------------------|
| 2,5 m (8 pi)       | 3,5 mm (5/32 po)                      |
| 3,0 m (10 pi)      | 4,5 mm (3/16 po)                      |
| 4,0 m (14 pi)      | 6,0 mm (1/4 po)                       |
| 6,0 m (20 pi)      | 9,0 mm (3/8 po)                       |
| 9,0 m (30 pi)      | 13 mm (1/2 po)                        |

Fig. H



## Guide de dépannage

### Le laser ne se met pas en marche

- S'assurer que les piles sont bien installées conformément aux signes (+) et (-) sur le couvercle du boîtier.
- S'assurer que les piles fonctionnent correctement. En cas de doutes, changer les piles.
- S'assurer que les bornes sont propres et ne comportent ni rouille ni corrosion. Protéger le niveau laser de toute humidité, et n'utiliser que des piles de marque, neuves et de qualité supérieure pour réduire tout risque de fuites.
- Si l'appareil laser est chauffé à plus de 50 °C (120 °F), il ne se mettra pas en marche. Si le laser a été entreposé à des températures ambiantes extrêmement élevées, le laisser refroidir. Le niveau laser ne sera pas endommagé si on appuie sur le bouton on/off avant qu'il n'est refroidi jusqu'à la bonne température d'utilisation.

### Le faisceau laser clignote (Fig. C, D)

Les lasers ont été conçus pour s'autoniveler jusqu'à un maximum de 4 ° en moyenne, en tout sens, lorsqu'ils sont positionnés comme illustré à la figure C. Si le laser est penché de telle façon que le mécanisme interne ne peut pas se niveller, son faisceau clignotera (Fig. D), la plage d'inclinaisons aura été excédée. LES FAISCEAUX CLIGNOTANTS CRÉÉS ALORS PAR LE LASER NE SONT PLUS AU NIVEAU OU D'APLOMB ET NE DOIVENT PAS ÊTRE UTILISÉS POUR DÉTERMINER OU MARQUER LE NIVEAU OU L'APLOMB. Essayer de repositionner le laser sur une surface plus plane.

### Le faisceau laser n'arrête pas de bouger

Les lasers sont des instruments de précision. Aussi, si le laser n'est pas posé sur une surface stable (et immobile), il continuera d'essayer de trouver l'aplomb. Si le faisceau laser n'arrête pas de bouger, essayer de poser l'appareil sur une surface plus stable. S'assurer aussi que la surface est relativement plane pour que le laser soit stable.

## Entretien et réparations

**REMARQUE :** Le fait de démonter le niveau laser annule toute garantie sur le produit.

Pour assurer la SÉCURITÉ et la FIABILITÉ de ce produit, toutes les opérations de réparation, d'entretien et de réglage doivent être effectuées dans un centre de service autorisé. Tout entretien ou maintenance effectué par une personne non qualifiée pose des risques de blessure. Pour trouver le centre de service DeWALT le plus proche, appeler le 1 800-433-9258 (1-800-4-DeWALT) ou se rendre sur le site Internet <http://www.DeWALT.com>.

| CARACTÉRISTIQUES TECHNIQUES   | DW088   | DW088CG               |
|-------------------------------|---|-----------------------|
| Source de lumière             | Diode laser à semi-conducteur                       | ✓                     |
| Longueur d'onde du laser      | Visible de 630–680 nm                               | Visible de 510–530 nm |
| Puissance du laser            | APPAREIL LASER DE CLASSE II, <1,3 mW (par faisceau) | ✓                     |
| Portée de fonctionnement      | ±50 m (165 pi)                                      | ✓                     |
| Précision (niveau)            | ± 3 mm par 9 m (± 1/8 po par 30 pi)                 | ✓                     |
| Voyants                       | Voyant clignotant : pile faible                     | ✓                     |
|                               | Laser clignotant : plage d'inclinaison excédée      | ✓                     |
| Source de courant             | 3 piles AA (1,5 V) (4,5 V c.c.)                     | ✓                     |
| Température de fonctionnement | -10 °C à 45 °C (20 °F à 115 °F)                     | ✓                     |
| Température de rangement      | -20 °C à 60 °C (-5 °F à 140 °F)                     | ✓                     |
| Environnement                 | Résistant à l'eau                                   | ✓                     |

## Garantie limitée de trois ans

DeWALT réparera, sans frais, tout produit défectueux causé par un défaut de matériel ou de fabrication pour une période de trois ans à compter de la date d'achat. La présente garantie ne couvre pas les pièces dont la défectuosité a été causée par une usure normale ou l'usage abusif de l'outil. Pour obtenir de plus amples renseignements sur les pièces ou les réparations couvertes par la présente garantie, visiter le site [www.DeWALT.com](http://www.DeWALT.com) ou composer le 1 800 433-9258 (1 800 4-DeWALT). Cette garantie ne s'applique pas aux accessoires et ne vise pas les dommages causés par des réparations effectuées par un tiers. Cette garantie confère des droits légaux particuliers à l'acheteur, mais celui-ci pourrait aussi bénéficier d'autres droits variant d'un état ou d'une province à l'autre.

En plus de la présente garantie, les outils DeWALT sont couverts par notre :

### CONTRAT D'ENTRETIEN GRATUIT D'UN AN

DeWALT entretiendra l'outil et remplacera les pièces usées au cours d'une utilisation normale et ce, gratuitement, pendant une période d'un an à compter de la date d'achat, et la

### GARANTIE DE REMBOURSEMENT DE 90 JOURS

Si l'acheteur n'est pas entièrement satisfait, pour quelque raison que ce soit, du rendement de l'outil électrique, du laser ou de la cloueuse DeWALT, celui-ci peut le retourner, accompagné d'un reçu, dans les 90 jours à compter de la date d'achat, pour obtenir un remboursement intégral, sans aucun problème.

**PRODUIT RÉNOVÉ :** Tout produit rénové est couvert par une garantie gratuite d'entretien d'un an. Les garantie de remboursement sous 90 jours et garantie limitée de trois ans ne s'appliquent pas aux produits rénovés.

**REMPLACEMENT GRATUIT DE L'ÉTIQUETTE D'AVERTISSEMENT :** En cas de perte ou d'endommagement des étiquettes d'avertissement, composer le 1 800 433-9258 afin d'en obtenir de nouvelles sans frais.

Si tiene alguna duda o algún comentario sobre ésta u otra herramienta DeWALT, llámenos al número gratuito: 1-800-4-DeWALT (1-800-433-9258).

## Instrucciones importantes de seguridad para láseres



**¡ADVERTENCIA!** Lea todas las instrucciones hasta comprenderlas. No ajustarse a las instrucciones siguientes puede ser causa de choque eléctrico, incendio o lesiones corporales graves.

### CONSERVE ESTAS INSTRUCCIONES



**ADVERTENCIA!** Exposición a radiación láser. No desarme ni modifique el nivel láser. No contiene piezas que el usuario pueda reparar. Podría resultar en una lesión grave a los ojos.



**ADVERTENCIA:** Radiación peligrosa. El uso de controles o ajustes o la ejecución de procedimientos diferentes a los aquí especificados, pueden resultar en una exposición peligrosa a radiación.

- **No opere el láser en ambientes explosivos, tales como en presencia de líquidos, gases o polvos inflamables.** Las herramientas eléctricas producen chispas que pueden originar la ignición del polvo o los vapores.
- **No utilice las pilas específicamente designadas para el láser.** El uso de cualquier otro tipo de pila puede crear un riesgo de incendio.
- **Cuando no esté en uso, almacene el láser fuera del alcance de niños y otras personas no capacitadas en su funcionamiento.** Los láseres son peligrosos en manos de personas no capacitadas.
- **Utilice sólo aquellos accesorios que hayan sido recomendados por el fabricante para su modelo.** Algunos accesorios pueden ser apropiados para un modelo de láser pero pueden crear un riesgo de lesión cuando se utilizan con otro modelo.
- **El servicio a la herramienta sólo debe realizarlo personal calificado.** El servicio o mantenimiento realizados por personal no calificado puede dar como resultado un riesgo de lesiones. Para ubicar su centro de servicio DeWALT más cercano, llame al 1-800-4-DeWALT (1-800-433-9258) o vaya a <http://www.DeWALT.com> en la Internet.
- **No utilice herramientas ópticas tales como telescopios o niveles topográficos para ver el rayo láser.** Esto podría resultar en graves lesiones oculares.
- **No sitúe el láser en una posición que pudiera resultar, ya sea intencionalmente o sin querer, en que alguien mire directamente el rayo láser.** Esto podría resultar en graves lesiones oculares.
- **Apague el láser cuando no esté en uso.** Si lo deja encendido, aumentará el riesgo de que alguien mire directamente al rayo láser.
- **No desarme la herramienta láser.** No contiene piezas que el usuario pueda reparar.
- **Nunca modifique el láser.** La modificación de la herramienta podría resultar en una exposición peligrosa a radiación láser.
- **No opere el láser en la presencia de niños ni permita que niños operen el láser.** Esto podría resultar en graves lesiones oculares.
- **No quite ni escriba sobre las etiquetas de advertencia.** El hacer esto aumenta el riesgo de exposición a radiación.
- **Ponga el láser en un lugar seguro.** Si el láser se cayera, podría dañarse o causar lesiones graves



**ADVERTENCIA:** Algunas partículas de polvo generadas al lijar, serrar, esmerilar y taladrar con herramientas eléctricas, así como al realizar otras actividades de construcción, contienen químicos que el Estado de California sabe que pueden producir cáncer, defectos congénitos u otras afecciones reproductivas. Ejemplos de estos químicos son:

- plomo de algunas pinturas en base a plomo,
- polvo de sílice proveniente de ladrillos y cemento y otros productos de albañilería, y
- arsénico y cromo provenientes de madera tratada químicamente.

Su riesgo de exposición a estos químicos varía, dependiendo de la frecuencia con la cual realiza usted este tipo de trabajo. Para reducir su exposición a estas sustancias químicas: trabaje en una zona bien ventilada y llevando equipos de seguridad aprobados, como mascarillas antipolvo especialmente diseñadas para filtrar partículas microscópicas.

- **Evite el contacto prolongado con polvo generado por el lijado, aserrado, pulido, taladrado y otras actividades de construcción. Vista ropas protectoras y lave las áreas de la piel expuestas con agua y jabón.** Si permite que el polvo se introduzca en la boca u ojos o quede sobre la piel, puede favorecer la absorción de productos químicos peligrosos.



**ADVERTENCIA:** La utilización de esta herramienta puede generar polvo o dispersarlo, lo que podría causar daños graves y permanentes al sistema respiratorio, así como otras lesiones. Siempre use protección respiratoria aprobada por NIOSH (Instituto Nacional de Seguridad y Salud en el Trabajo) u OSHA (Administración de Seguridad y Salud en el Trabajo) apropiada para la exposición al polvo. Dirija las partículas en dirección contraria a la cara y el cuerpo.

## ESPAÑOL

- La etiqueta de su herramienta puede incluir los siguientes símbolos.

V ..... voltios

mW ..... milivatios

 ..... símbolo de advertencia de láser

nm ..... Longitud de onda en nanómetros

II (2) ..... Láser Clase II (2)

## Etiquetas de advertencia

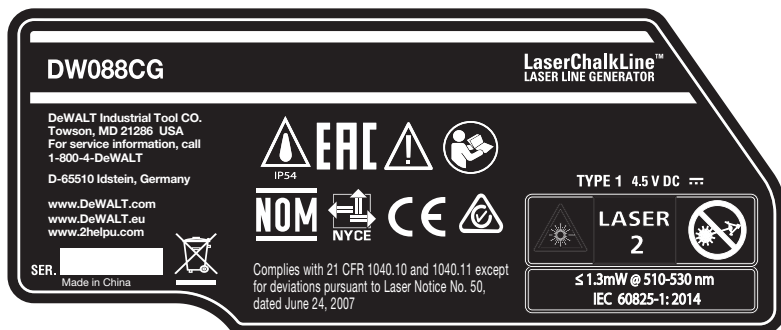
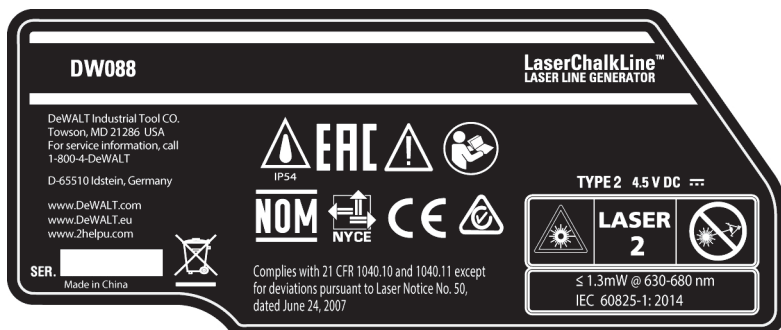
Para su beneficio y seguridad, la siguiente etiqueta se encuentra adherida a su láser.



**ATENCIÓN: RADIACIÓN LÁSER – NO MIRE DIRECTAMENTE AL RAYO LÁSER. Producto láser Clase II.**



**ATENCIÓN: RADIACIÓN LÁSER CLASE 2 PRESENTE. NO MIRE DIRECTAMENTE AL RAYO LÁSER CUANDO ESTÉ ABIERTO.**



## Información sobre el láser

Los Generadores de línea láser LaserChalkLine™ DW088 son productos láser Clase II(2) y cumplen con 21 CFR 1040.10 y 1040.11, con la excepción de las desviaciones mencionadas en la notificación No. 50 del láser, con fecha 24 de junio de 2007.

## Introducción

Los láseres son herramientas láser de autonivelación que pueden ser utilizados al interior y al exterior para proyectos que requieran alineación horizontal (nivel) y vertical.

## Normas generales de seguridad para las herramientas que funcionan con pilas



**¡ADVERTENCIA!** Lea todas las instrucciones hasta comprenderlas. No ajustarse a las instrucciones siguientes puede ser causa de choque eléctrico, incendio o lesiones corporales graves.

### ÁREA DE TRABAJO

- Mantenga el área de trabajo limpia y bien iluminada.** Las bancadas desordenadas y las zonas oscuras propician los accidentes.
- No opere herramientas eléctricas en atmósferas explosivas, como en presencia de líquidos, gases o polvos inflamables.** Las herramientas eléctricas producen chispas que pueden originar la ignición del polvo o los vapores.
- Mientras opere una herramienta eléctrica, mantenga lejos a los observadores, niños y visitantes.** Las distracciones pueden ocasionar que pierda el control.

## SEGURIDAD ELÉCTRICA

- **Las herramientas que operan con pilas se deben utilizar sólo con las pilas específicamente diseñadas para la herramienta.** La utilización de otras pilas comporta riesgo de incendio.

### Pilas

Esta herramienta funciona con tres pilas AA de 1,5V.

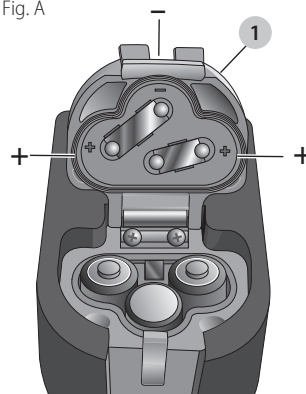
### Para instalar las pilas:

1. Levante la tapa del compartimento de pilas **1**, como lo muestra la Figura A.
2. Inserte tres pilas AA nuevas en el compartimento, verificando que los terminales (+) y (-) de las pilas estén en la posición indicada en el interior de la tapa del compartimento.

**⚠️ ADVERTENCIA:** Las pilas pueden explotar o tener fugas y pueden causar lesiones o incendios. Para reducir el riesgo:

- Siga bien todas las instrucciones y advertencias en la etiqueta y el paquete de la pila.
- Fijese siempre que las pilas vayan insertadas en la dirección correcta de polaridad (+ y -), como aparece marcado en la pila y el equipo.
- No haga cortocircuito con los terminales de la pila.
- No cargue las pilas.
- No mezcle pilas viejas con pilas nuevas. Cámbielas todas al mismo tiempo por pilas nuevas de la misma marca y tipo.
- Si las pilas se gastan completamente, retírelas de inmediato y disponga de ellas de acuerdo a los códigos locales.
- No queme las pilas.
- Mantenga las pilas fuera del alcance de niños.
- Quite la pila si no utilizará el dispositivo por varios meses.

Fig. A



## SEGURIDAD PERSONAL

- **Al utilizar una herramienta eléctrica, esté atento, concéntrese en lo que hace y aplique el sentido común. No utilice la herramienta si se encuentra fatigado o bajo la influencia de drogas, alcohol o fármacos.** Mientras se utilizan herramientas eléctricas, basta un instante de distracción para sufrir lesiones graves.
- **No se sobreexienda. Manténgase siempre bien apoyado y equilibrado.** Un buen apoyo y equilibrio permiten controlar mejor la herramienta si se produce algún imprevisto.
- **Utilice el equipo de seguridad. Lleve siempre lentes protectores.** Cuando sea adecuado, también se debe usar mascarilla antipolvo, zapatos de suela antideslizante, casco o protectores auditivos.

## USO Y CUIDADO DE LA HERRAMIENTA

- **No utilice la herramienta si el interruptor no la enciende y apaga.** Cualquier herramienta que no pueda controlarse con el interruptor es peligrosa y se debe reparar.
- **Cuando no las utilice, guarde las herramientas fuera del alcance de los niños o de cualquier persona no capacitada.** Las herramientas son peligrosas en manos de usuarios no capacitados.
- **Utilice únicamente los accesorios recomendados por el fabricante para su modelo.** Un mismo accesorio puede ser adecuado para una herramienta, pero peligroso si se usa en otra.

## SERVICIO

- **El servicio a la herramienta sólo debe realizarlo personal calificado.** El servicio o mantenimiento realizados por personal no calificado puede dar como resultado un riesgo de lesiones.
- **Al proceder al mantenimiento de una herramienta, utilice únicamente refacciones idénticas.** Siga las instrucciones de la sección "Mantenimiento" de este manual. La utilización de piezas no autorizadas o el no respetar las instrucciones de mantenimiento, puede suponer un peligro de choque eléctrico o lesiones.

Para ubicar su centro de servicio DeWALT más cercano, llame al 1-800-4-DeWALT (1-800-433-9258) o vaya a <http://www.DeWALT.com> en la Internet.

## Consejos de operación

- Para obtener los mejores resultados, utilice solamente pilas nuevas de alta calidad y de marca conocida.

## ESPAÑOL

- Compruebe que las pilas estén en buenas condiciones de funcionamiento. Si el indicador de pila baja parpadea, deberá cambiar las pilas.
- Para prolongar la vida útil de las pilas, apague el láser cuando no lo esté usando o marcando con la ayuda del rayo.
- Para asegurar la precisión de su trabajo, compruebe con frecuencia el calibrado del láser. Refiérase a **Control de calibrado en el campo**.
- Antes de intentar utilizar el láser, asegúrese que esté dispuesto en forma segura, sobre una superficie plana y lisa.
- Marque siempre el centro del punto o patrón creado por el láser.
- Los cambios bruscos de temperatura pueden hacer que se muevan ciertas piezas internas que afectan el nivel de precisión. Compruebe con frecuencia el nivel de precisión mientras trabaje. Refiérase a **Control de calibrado en el campo**.
- Si el láser ha caído al suelo, compruebe que esté aún calibrado. Refiérase a **Control de calibrado en el campo**.

### Indicador de pila baja

Los láseres vienen con una luz de indicador roja **2**, como lo muestra la Figura B. Las luces rojas del indicador se ubican a la izquierda de los botones de encendido y apagado (**3**, **4**).

Cuando la luz roja del indicador está destellando, esto significa que las pilas están bajas y que deben ser cambiadas. El láser puede seguir funcionando durante un período corto de tiempo mientras las pilas se siguen agotando, pero el (los) rayo(s) se hará(n) tenue(s) rápidamente. Luego de instalar pilas nuevas y volver a encender el láser, el (los) rayo(s) láser volverán a tener la misma intensidad de antes y la luz roja del indicador se mantendrá apagada. (Si el rayo láser destella, esto no significa que las pilas estén bajas; refiérase a **Indicador de rango de inclinación**.)

## OPERACIÓN

### Para encender y apagar los láseres (Fig. B)

Ponga el láser apagado sobre una superficie plana. Este modelo tiene dos botones de encendido y apagado: uno para la línea láser horizontal **3** y el otro para la línea láser vertical **4**. Cada línea láser se enciende presionando su botón de encendido y apagado. Las líneas láser pueden encenderse una por vez o las dos al mismo tiempo. Si presiona los botones de encendido y apagado otra vez, apagará las líneas láser.

### Cómo utilizar los láseres

Si la herramienta está calibrada y el rayo láser no está destellando (refiérase a **Indicador de rango de inclinación**), los rayos estarán a nivel o plomada (refiérase a **Control de calibrado en el campo**).

### Indicador de rango de inclinación (Fig. C, D)

Los láseres están diseñados para auto-nivelarse. Si el láser ha sido inclinado de tal manera que no puede nivelarse (inclinación promedio  $> 4^\circ$ ), el rayo láser destellará (Fig. D). Si el rayo láser destella, significa que el rango de inclinación ha sido sobrepasado y que **NO ESTÁ A NIVEL (O PLOMADA) Y QUE NO DEBERÍA SER UTILIZADO PARA DETERMINAR O MARCAR NIVEL (O PLOMADA)**. Intente volver a colocar el láser sobre una superficie más pareja.

Fig. C

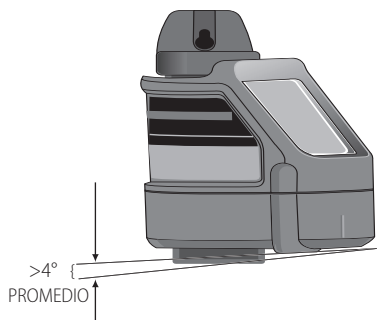


Fig. B

DW088

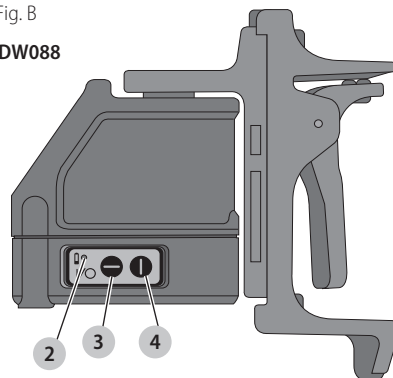
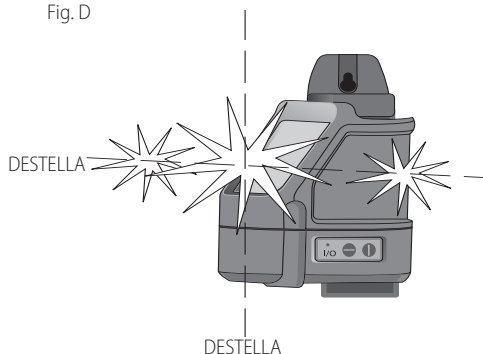


Fig. D





## Cómo utilizar los láseres con accesorios

Los láseres vienen con un hilo hembra en la parte inferior de la unidad de 1/4 pulg x 20 hilos. El hilo sirve para instalar accesorios DeWALT actuales o futuros. Use sólo accesorios DeWALT especificados para ser usados con este producto. Siga las indicaciones proporcionadas con el accesorio.

**⚠ ATENCIÓN:** La utilización de cualquier accesorio no recomendado para esta herramienta puede ser peligrosa.

Si necesita ayuda para ubicar cualquier accesorio, por favor póngase en contacto con DeWALT Industrial Tool Co., 701 East Joppa Road, Towson, MD 21286 o llame al 1-800-4- DeWALT (1-800-433-9258). Consulte nuestro catálogo en la Internet: [www.DeWALT.com](http://www.DeWALT.com).

## Cómo utilizar el soporte de pivote (Fig. E)

Los láseres tienen un soporte de pivote magnético **5** permanentemente fijo a las unidades. Este soporte permite que la unidad sea montada a cualquier superficie recta de acero o hierro. Ejemplos comunes de superficies adecuadas incluyen pies derechos estructurales de acero, marcos de puertas de acero y vigas estructurales de acero. El soporte también tiene una ranura con forma de ojo de cerradura **6** que permite que la unidad sea colgada de un clavo o tornillo en cualquier superficie. Coloque el láser y/o el soporte para montaje sobre pared sobre una superficie estable. Se pueden provocar lesiones personales o daños serios al láser si éste se cae.

## Cómo utilizar el láser con el soporte de pared (Fig. E)

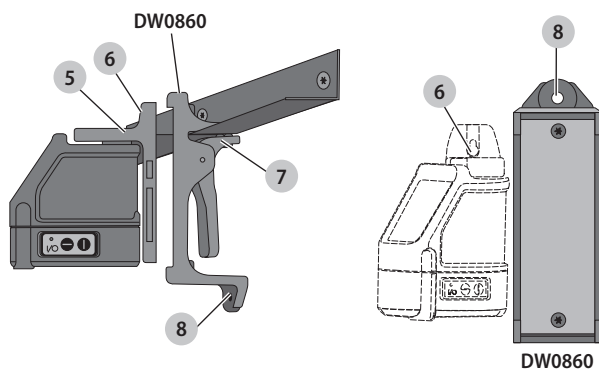
El soporte de pared para el láser DW0860 ofrece más opciones de montaje para los láseres DW088. El soporte de pared tiene una abrazadera **7** en un extremo, la cual puede fijarse a un ángulo de la pared para instalarlo a un techo acústico. El otro extremo del soporte de pared hay un orificio para insertar un tornillo **8**, el cual permite que el soporte de pared sea fijado a cualquier superficie con un clavo o tornillo.

Una vez que el soporte de pared sea instalado, su placa de acero proporciona una superficie a la cual se puede fijar el soporte de pivote magnético. La posición del láser puede luego ser afinada deslizando el soporte de pivote hacia arriba o hacia abajo en el soporte de pared.

## Nivelación de los láseres

Mientras los láseres DW088 sean debidamente calibrados, los láseres serán autonivelantes. Cada láser viene calibrado de fábrica para poder encontrar la nivelación, siempre que sea colocado sobre una superficie plana dentro de un  $\pm 4^\circ$  de nivel promedio. No se deben hacer ajustes manuales.

Fig. E



## MANTENIMIENTO

- Para mantener la precisión de su trabajo, revise el láser con frecuencia para asegurarse que esté debidamente calibrado. Refiérase a **Control de calibrado en el campo**.
- Los centros de servicio DeWALT pueden hacer controles de calibrado y otras reparaciones de mantenimiento.
- Guarde el láser en la caja proporcionada cuando no esté en uso. No guarde el láser a temperaturas menores que  $-5^\circ\text{F}$  ( $-20^\circ\text{C}$ ) o mayores que  $140^\circ\text{F}$  ( $60^\circ\text{C}$ ).
- No guarde el láser en su caja si está mojado. Seque primero el láser con un paño seco y suave.

## LIMPIEZA

Las piezas exteriores de plástico se pueden limpiar con un paño húmedo. Aunque estas piezas son resistentes a solventes, NUNCA use solventes. Use un paño seco y suave para eliminar la humedad de la herramienta antes de guardarla.

## Control de calibrado en el campo

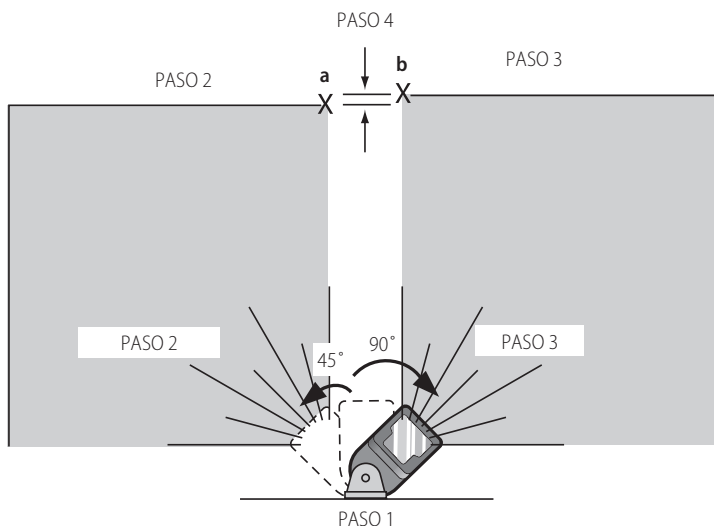
### Revisión de precisión – rayo horizontal, dirección de escaneo (Fig. F)

La revisión del calibrado horizontal de escaneo del láser requiere dos paredes a 9 m (30 pies) de distancia la una de la otra. Es importante comprobar el calibrado de la herramienta usando una distancia que no sea inferior a la de las aplicaciones para las que se va a usar la herramienta.

1. Fije el láser a la pared con su soporte de pivote. Verifique que el láser esté apuntando recto.
2. Encienda el rayo horizontal del láser y gire el láser en aproximadamente 45° de modo que el extremo derecho de la línea del láser pegue contra la pared opuesta a una distancia de al menos 9 m (30 pies). Marque el centro del rayo (**a**).
3. Gire el láser en aproximadamente 90° para llevar el extremo izquierdo de la línea del láser a la marca hecha en el paso 2. Marque el centro del rayo (**b**).
4. Mida la distancia vertical entre las marcas.
5. Si la medida es mayor que los valores mostrados a continuación, el láser deberá ser reparado por un centro de servicio autorizado

| Distancia entre paredes | Distancia permitida entre marcas |
|-------------------------|----------------------------------|
| 9 m (30 pies)           | 3,0 mm (1/8 pulg.)               |
| 12 m (40 pies)          | 4,0 mm (5/32 pulg.)              |
| 15 m (50 pies)          | 5,0 mm (7/32 pulg.)              |

Fig. F



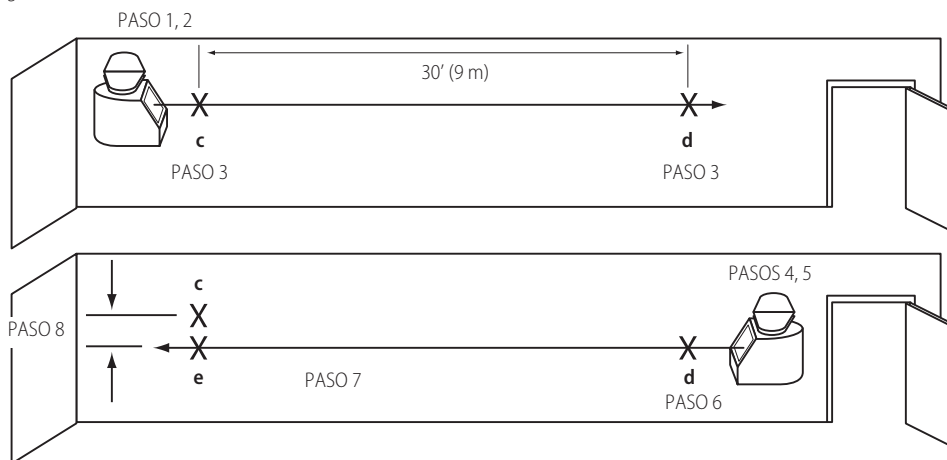
### Revisión de precisión – rayo horizontal, dirección de inclinación (Fig. G)

La revisión del calibrado de inclinación horizontal del láser requiere una sola pared de al menos 9 m (30 pies) de largo. Es importante comprobar el calibrado de la herramienta usando una distancia que no sea inferior a la de las aplicaciones para las que se va a usar la herramienta.

1. Fije el láser a un extremo de una pared con su soporte de pivote.
2. Encienda el rayo horizontal del láser y gire el láser hacia el extremo opuesto de la pared, paralelo a la pared adyacente.
3. Marque el centro del rayo en dos lugares (**c**, **d**), a al menos 9 m (30 pies) de distancia.
4. Vuelva a posicionar el láser en el extremo opuesto de la pared.
5. Encienda el rayo horizontal del láser y gire el láser de vuelta al primer extremo de la pared, paralelo a la pared adyacente.
6. Ajuste la altura del láser de modo que el centro del rayo quede alineado con la marca más próxima (**d**).
7. Marque el centro del rayo (**e**) directamente por encima o debajo de la marca más alejada (**c**).
8. Mida la distancia entre estas dos marcas (**c**, **e**).
9. Si la medida es mayor que los valores mostrados a continuación, el láser deberá ser reparado por un centro de servicio autorizado.

| Distancia      | Distancia permitida entre marcas |
|----------------|----------------------------------|
| 9 m (30 pies)  | 6,0 mm (1/4 pulg.)               |
| 12 m (40 pies) | 8,0 mm (5/16 pulg.)              |
| 15 m (50 pies) | 10,0 mm (13/32 pulg.)            |

Fig. G



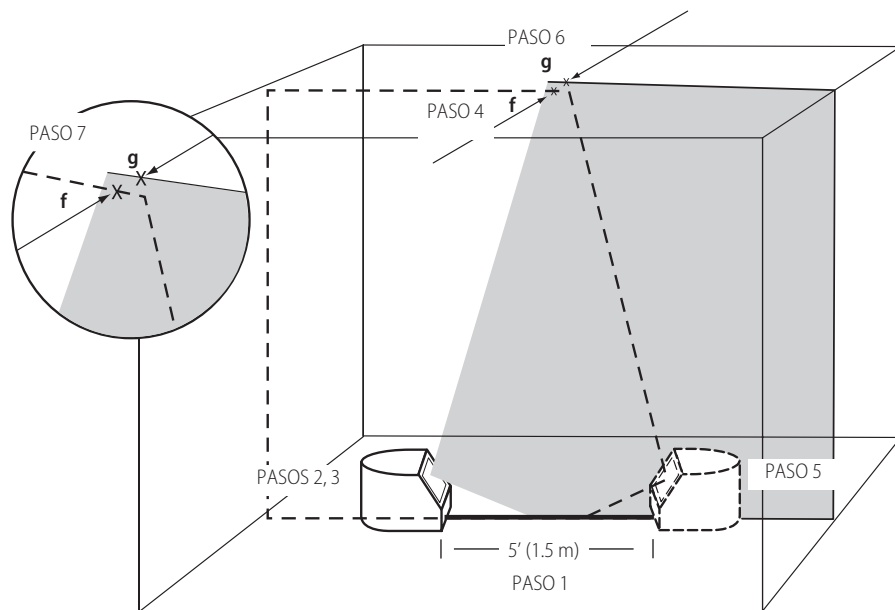
### Revisión de precisión – rayo vertical (Fig. H)

Para una revisión más precisa del calibrado vertical (de plomada) del láser, se debe tener acceso a un lugar con una altura vertical importante. Lo óptimo sería una altura de 9 m (30 pies). Una persona se debe parar sobre el piso y poner el láser en posición y la otra persona se debe parar cerca del techo para marcar la posición del rayo. Es importante comprobar el calibrado de la herramienta usando una distancia que no sea inferior a la de las aplicaciones para las que se va a usar la herramienta.

1. Comience marcando una línea de 1,5 m (5 pies) en el suelo.
2. Encienda el rayo vertical del láser y coloque la unidad a un extremo de la línea, mirando hacia la línea.
3. Ajuste la unidad de modo que el rayo esté alineado y centrado sobre la línea del suelo.
4. Marque la posición del rayo láser sobre el techo (f). Marque el centro del rayo láser directamente sobre el punto medio de la línea en el suelo.
5. Vuelva a posicionar el láser al otro extremo de la línea en el suelo. Ajuste la unidad una vez más de modo que el rayo esté alineado y centrado sobre la línea del suelo.
6. Marque la posición del rayo láser sobre el techo (g), directamente a un costado de la primera marca (f).
7. Mida la distancia entre estas dos marcas.
8. Si la medida es mayor que los valores mostrados a continuación, el láser debe ser reparado por un centro de servicio autorizado

| Altura techo    | Distancia permitida entre marcas |
|-----------------|----------------------------------|
| 2,5 m (8 pies)  | 3,5 mm (5/32 pulg.)              |
| 3,0 m (10 pies) | 4,5 mm (3/16 pulg.)              |
| 4,0 m (14 pies) | 6,0 mm (1/4 pulg.)               |
| 6,0 m (20 pies) | 9,0 mm (3/8 pulg.)               |
| 9,0 m (30 pies) | 13 mm (1/2 pulg.)                |

Fig. H



## Resolución de problemas

### El láser no se enciende

- Asegúrese que las pilas sean instaladas verificando que los terminales (+) y (-) de las pilas estén en la posición indicada en el interior de la tapa del compartimento.
- Compruebe que las pilas estén en buenas condiciones de funcionamiento. Si tiene dudas, pruebe instalando pilas nuevas.
- Compruebe que los contactos de las pilas estén limpios y libres de óxido o corrosión. Asegúrese de mantener el nivel láser seco y de usar sólo pilas nuevas, de alta calidad y marca conocida para reducir las posibilidades de fugas en las pilas.
- Si la unidad láser se calienta a una temperatura mayor que 120 °F (50 °C), la unidad no se encenderá. Si el láser ha estado guardado en un lugar con una temperatura ambiental demasiado alta, deje que enfríe. El nivel láser no se dañará si presiona el botón de encendido/apagado antes de enfriarse a su temperatura de funcionamiento apropiada.

### Los rayos láser parpadean (Fig. C, D)

Los láseres han sido diseñados para autonivelarse en una inclinación promedio de 4° en toda dirección cuando están puestos como lo muestra la Figura C. Si el láser se inclina tanto que su mecanismo interno no puede encontrar su propio nivel, el láser destellará (Fig. D) – el rango de inclinación ha sido sobrepasado. LOS RAYOS LÁSER DESTELLANTES CREADOS POR EL LÁSER NO ESTÁN A NIVEL O PLOMADA Y NO DEBERÍAN SER UTILIZADOS PARA DETERMINAR O MARCAR NIVEL O PLOMADA. Intente volver a colocar el láser sobre una superficie más pareja.

### Los rayos láser no dejan de moverse

Los láseres son instrumentos de precisión. Por esta razón, si el láser no está colocado sobre una superficie estable y firme, el láser seguirá intentando encontrar el nivel. Si el rayo no deja de moverse, pruebe colocando el láser sobre una superficie más estable. Además, trate de asegurarse que la superficie sea relativamente plana de modo que el láser esté estable.

## Servicio y reparaciones

**NOTA:** Si desarma el nivel láser, todas las garantías del producto quedarán nulas.

Para garantizar la SEGURIDAD y FIABILIDAD del producto, toda reparación, todo mantenimiento y ajuste deberán ser realizados en los centros autorizados de servicio. El servicio o mantenimiento realizados por personal no calificado podría crear un riesgo de lesión. Para ubicar su centro de servicio DeWALT más cercano, visítenos en [www.DeWALT.com](http://www.DeWALT.com) o diríjase al centro de servicio más cercano.

## Reparaciones

Para garantizar la SEGURIDAD y la CONFIABILIDAD, deberán hacerse reparaciones, mantenimiento y ajustes de esta herramienta en los centros autorizados de servicio DeWALT u otras organizaciones autorizadas. Estas organizaciones prestan servicio a las herramientas DeWALT y emplean siempre refacciones legítimas DeWALT.

| ESPECIFICACIONES              | DW088   | DW088CG                  |
|-------------------------------|---|--------------------------|
| Fuente de luz                 | Diodo láser semiconductor                           | ✓                        |
| Longitud de onda del láser    | Visible, de 630 a 680 nm                            | Visible, de 510 a 530 nm |
| Potencia del láser            | <1, 3 mW (cada rayo) PRODUCTO LÁSER DE CLASE II (2) | ✓                        |
| Rango de funcionamiento       | ± 50 m (165 pies)                                   | ✓                        |
| Precisión (Nivel)             | ± 3mm por cada 9m (± 1/8" por cada 30')             | ✓                        |
| Indicadores                   | Indicador que parpadea: pilas bajas                 | ✓                        |
|                               | Láser que parpadea: rango de inclinación excedido   | ✓                        |
| Fuente de alimentación        | 3 pilas AA de 1,5V (4,5V CC)                        | ✓                        |
| Temperatura de funcionamiento | De -10 °C a 45 °C (De 20 °F a 115 °F)               | ✓                        |
| Temperatura de almacenamiento | -20 °C a 60 °C (-5 °F a 140 °F)                     | ✓                        |
| Entorno                       | Resistente al agua                                  | ✓                        |

**Para reparación y servicio de sus herramientas eléctricas,  
favor de dirigirse al  
Centro de Servicio más cercano**

### CULIACAN, SIN

Blvd.Emiliano Zapata 5400-1 Poniente Col. (667) 717 89 99  
San Rafael

### GUADALAJARA, JAL

Av. La Paz #1779 - Col. Americana Sector (33) 3825 6978  
Juárez

### MEXICO, D.F.

Eje Central Lázaro Cárdenas No. 18 - Local (55) 5588 9377  
D, Col. Obrera

### MERIDA, YUC

Calle 63 #459-A - Col. Centro (999) 928 5038

### MONTERREY, N.L.

Av. Francisco I. Madero 831 Poniente - Col. (818) 375 23 13  
Centro

### PUEBLA, PUE

17 Norte #205 - Col. Centro (222) 246 3714

### QUERETARO, QRO

Av. San Roque 274 - Col. San Gregorio (442) 2 17 63 14

### SAN LUIS POTOSI, SLP

Av. Universidad 1525 - Col. San Luis (444) 814 2383

### TORREON, COAH

Blvd. Independencia, 96 Pte. - Col. Centro (871) 716 5265

### VERACRUZ, VER

Prolongación Díaz Mirón #4280 - Col. (229) 921 7016  
Remes

### VILLAHERMOSA, TAB

Constitución 516-A - Col. Centro (993) 312 5111

### PARA OTRAS LOCALIDADES:

**Si se encuentra en México, por favor llame al  
(55) 5326 7100**

**Si se encuentra en U.S., por favor llame al  
1-800-433-9258 (1-800 4-DeWALT)**

## Póliza de Garantía

IDENTIFICACIÓN DEL PRODUCTO:

Sello o firma del Distribuidor.

Nombre del producto: \_\_\_\_\_

Mod./Cat.: \_\_\_\_\_

Marca: \_\_\_\_\_

Núm. de serie: \_\_\_\_\_

(Datos para ser llenados por el distribuidor)

Fecha de compra y/o entrega del producto:

\_\_\_\_\_

Nombre y domicilio del distribuidor donde se adquirió  
el producto:

\_\_\_\_\_

Este producto está garantizado por un año a partir de la fecha de entrega, contra cualquier defecto en su funcionamiento, así como en materiales y mano de obra empleados para su fabricación. Nuestra garantía incluye la reparación o reposición del producto y/o componentes sin cargo alguno para el cliente, incluyendo mano de obra, así como los gastos de transportación razonablemente erogados derivados del cumplimiento de este certificado.

Para hacer efectiva esta garantía deberá presentar su herramienta y esta póliza sellada por el establecimiento comercial donde se adquirió el producto, de no contar con ésta, bastará la factura de compra.

## ESPAÑOL

### Excepciones

Esta garantía no será válida en los siguientes casos:

- *Cuando el producto se hubiese utilizado en condiciones distintas a las normales;*
- *Cuando el producto no hubiese sido operado de acuerdo con el instructivo de uso que se acompaña;*
- *Cuando el producto hubiese sido alterado o reparado por personas distintas a las enlistadas al final de este certificado.*

Anexo encontrará una relación de sucursales de servicio de fábrica, centros de servicio autorizados y franquiciados en la República Mexicana, donde podrá hacer efectiva su garantía y adquirir partes, refacciones y accesorios originales.

### Garantía limitada por tres años

DeWALT reparará, sin cargo, cualquier falla que surja de defectos en el material o la fabricación del producto, por hasta tres años a contar de la fecha de compra. Esta garantía no cubre fallas de las piezas causadas por su desgaste normal o abuso a la herramienta. Para mayores detalles sobre la cobertura de la garantía e información acerca de reparaciones realizadas bajo garantía, visítenos en [www.DeWALT.com](http://www.DeWALT.com) o diríjase al centro de servicio más cercano. Esta garantía no aplica a accesorios o a daños causados por reparaciones realizadas o intentadas por terceros. Esta garantía le otorga derechos legales específicos, además de los cuales puede tener otros dependiendo del estado o provincia en que se encuentre.

Además de la garantía, las herramientas DeWALT están cubiertas por:

#### 1 AÑO DE SERVICIO GRATUITO

DeWALT mantendrá la herramienta y reemplazará las piezas gastadas por su uso normal, sin cobro, en cualquier momento durante un año a contar de la fecha de compra.

#### GARANTÍA DE REEMBOLSO DE SU DINERO POR 90 DÍAS

Si no está completamente satisfecho con el desempeño de su máquina herramienta, láser o clavadora DeWALT, cualquiera sea el motivo, podrá devolverlo hasta 90 días de la fecha de compra con su recibo y obtener el reembolso completo de su dinero – sin necesidad de responder a ninguna pregunta.

**PRODUCTO REACONDICIONADO:** Los productos reacondicionados están cubiertos bajo la Garantía de 1 Año de Servicio Gratuito. La Garantía de 90 Días de Reembolso de su Dinero y la Garantía Limitada de Tres Años no aplican a productos reacondicionados.

#### SUSTITUCIÓN GRATUITA DE LAS ETIQUETAS DE

**ADVERTENCIA:** Si sus etiquetas de advertencia se vuelven ilegibles o se pierden, llame al 1-800-544-6986 para conseguir repuestos gratuitos.

## ESPECIFICACIONES

DW088, DW088CG 4,5 Volts

Solamente para propósito de México:

Importado por: DeWALT Industrial Tool Co. S.A. de C.V.

Avenida Antonio Dovali Jaime, # 70 Torre B Piso 9

Colonia La Fe, Santa Fé

Código Postal : 01210

Delegación Alvaro Obregón

México D.F.

Tel. (52) 555-326-7100

R.F.C.: BDE810626-1W7

Se você tem quaisquer perguntas ou comentários sobre isso ou qualquer ferramenta DeWALT, ligue para nós gratuitamente pelo telefone: 1-800-4-DeWALT (1-800-433-9258)

## Instruções de Segurança para Lasers



**ATENÇÃO!** *Leia e entenda todas as instruções. A falha em seguir as instruções listadas abaixo pode resultar em choque elétrico, fogo e/ou ferimento graves.*

### GUARDE ESTAS INSTRUÇÕES



**ATENÇÃO!** *Exposição à Radiação Laser. Não desmonte nem modifique o nível a laser. Não existem peças reparáveis pelo usuário no interior. Podem resultar graves danos aos olhos.*



**ATENÇÃO:** *Radiação perigosa. Uso dos controles, ajustes e execução dos procedimentos diferentes do especificado aqui pode resultar em exposição perigosa à radiação laser.*

- **Não opere o laser em atmosferas explosivas, como em presença de líquidos, gases ou poeiras inflamáveis.** As ferramentas elétricas produzem faíscas que podem provocar a ignição de poeiras ou gases.
- **Use o laser apenas com as baterias especificamente projetadas.** O uso de qualquer outra bateria pode criar um risco de incêndio.
- **Quando não estiver sendo usado, armazene o laser fora do alcance de crianças ou de pessoas não treinadas.** Os lasers são perigosos nas mãos de pessoas não treinadas.
- **Use apenas acessórios que tenham sido recomendados pelo fabricante do seu modelo.** Os acessórios que forem adequados para um laser podem criar risco de ferimentos quando usados em outro laser.
- **A manutenção da ferramenta deve ser feita apenas por pessoal de serviço qualificado.** O serviço ou a manutenção da ferramenta feita por pessoal não qualificado pode resultar em ferimentos. Para localizar o centro de serviço autorizado DeWALT mais próximo ligue para 1-800-4-DeWALT (1-800-433-9258) ou visite [www.DeWALT.com](http://www.DeWALT.com) na Internet.
- **Não use ferramentas óticas como um telescópio, nem passe na frente para ver dentro do feixe laser.** Podem resultar graves danos aos olhos.
- **Não coloque o laser em uma posição que possa fazer com que alguém olhe, intencionalmente ou não, para dentro do feixe laser.** Podem resultar graves danos aos olhos.
- **Desligue o laser quando não estiver em uso.** Deixar o laser ligado aumenta o risco de alguém olhar na direção do feixe do laser.
- **Não desmonte a ferramenta laser.** Não existem peças reparáveis pelo usuário no interior.
- **Não modifique o laser de nenhuma maneira.** Modificar o laser pode resultar em Exposição Perigosa à Radiação Laser.
- **Não opere o laser perto de crianças ou permita que elas o operem.** Podem resultar graves danos aos olhos.
- **Não remova ou danifique as etiquetas de advertência.** Remover as etiquetas aumenta o risco de exposição à radiação.
- **Coloque o laser com segurança em uma superfície nivelada.** Ferimentos graves ou danos ao laser podem resultar caso o laser caia.



**ATENÇÃO:** *Alguma poeira criada por lixamento à máquina, serragem, esmerilhamento, furação e de outras atividades de construção, contém produtos químicos reconhecidos pelo Estado da Califórnia por causar câncer, defeitos congênitos e outros danos reprodutivos. Alguns exemplos destes produtos químicos são:*

- chumbo das tintas à base de chumbo,
- Sílica cristalina dos tijolos, do cimento e de outros produtos de alvenaria e
- arsênico e cromo de madeira quimicamente tratada (CCA).

Seu risco a essas exposições varia, dependendo de como ou com que frequência você faz esse tipo de trabalho. Para reduzir sua exposição a estes produtos químicos: trabalhe em uma área bem ventilada, e use equipamentos de proteção individual como as máscaras contra poeira especialmente projetada para filtrar partículas microscópicas.

- **Evite o contato prolongado com a poeira proveniente de lixamento à máquina, serragem, esmerilhamento, furação e de outras atividade de construção. Use roupas de proteção e lave as áreas expostas com água e sabão.** Permitir a entrada de poeira em sua boca, olhos ou ficar sobre a pele pode favorecer a absorção de materiais químicos perigosos.



**ATENÇÃO:** *O uso desta ferramenta pode gerar e/ou dispersar a poeira que pode causar lesão respiratória grave e permanente ou de outros tipos. Sempre use proteção respiratória aprovada pela NIOSH/OSHA para a exposição a poeira. Direcione as partículas para longe do rosto e do corpo.*

## PORTUGUÊS

- A etiqueta na sua ferramenta pode conter os seguintes símbolos.

V ..... volts

mW ..... miliwatts



..... símbolo de advertência de laser

nm ..... comprimento de onda em nanômetros

II (2) ..... Laser Classe II (2)

## Etiquetas de Advertência

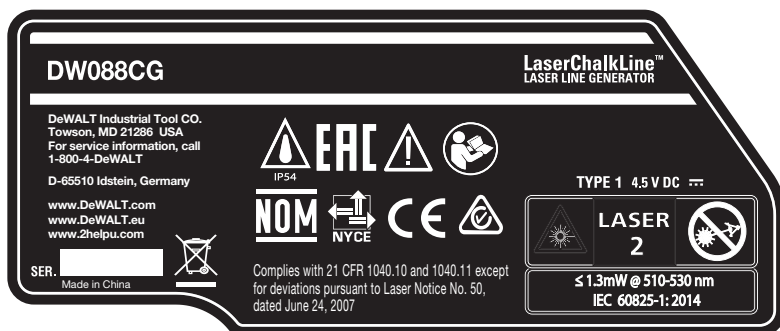
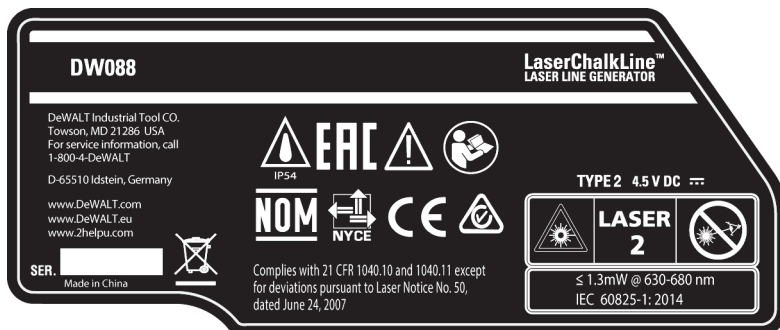
Para sua conveniência e segurança, as seguintes etiquetas estão no seu laser.



**CUIDADO: RADIAÇÃO LASER - NÃO OLHE DIRETAMENTE PARA O FEIXE DO LASER. PRODUTO LASER CLASSE II.**



**CUIDADO: RADIAÇÃO LASER CLASSE 2 QUANDO ABERTO NÃO OLHE DIRETAMENTE PARA O FEIXE.**



## Informação sobre o laser

O geradores de Linha Lase DW088 LaserChalkLine™ são produtos laser Classe II (2) e está em conformidade com 21 CFR 1040.10 e 1040.11 exceto para divergências relativas ao Laser Notice Nº 50, com data de 24 de junho de 2007.

## Introdução

Os laser DW088 LaserChalkLine™ são ferramentas laser que podem ser usadas em exteriores e interiores para projetos de alinhamento horizontal (nível), vertical e prumo.

## Regras Gerais de Segurança para Ferramentas Operadas a Bateria



**ATENÇÃO! Leia e entenda todas as instruções.** A falha em seguir as instruções listadas abaixo pode resultar em choque elétrico, fogo e/ou ferimento graves.

## ÁREA DE TRABALHO

- Mantenha sua área de trabalho limpa e bem iluminada. Bancadas desorganizadas e áreas mal iluminadas são um convite a acidentes.
- Não opere ferramentas laser em atmosferas explosivas, como em presença de líquidos, gases ou poeiras inflamáveis. As ferramentas elétricas produzem faíscas que podem provocar a ignição de poeiras ou gases.



- **Mantenha os observadores, crianças e visitantes afastados enquanto opera uma ferramenta laser.** As distrações podem fazer com que você perca o controle.

## SEGURANÇA ELÉTRICA

- **Use as ferramentas à bateria apenas com as baterias especificamente projetadas.** O uso de qualquer outra bateria pode criar um risco de incêndio.

### Bateria

Esta ferramenta é alimentada por três baterias 1,5V AA.

#### Para instalar as baterias.

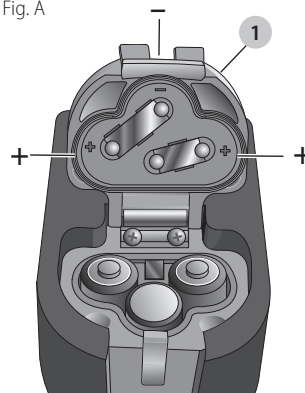
1. Levante a tampa do compartimento das baterias 1 como mostrado na Figura A.
2. Insira três baterias AA novas no compartimento, instalando as baterias de acordo com as indicações (+) e (-) no interior da tampa das baterias.



**ATENÇÃO:** As baterias podem explodir ou vazar e podem causar ferimentos ou fogo. Para reduzir este risco:

- Siga cuidadosamente as instruções e advertências da etiqueta e da embalagem das baterias.
- Coloque as baterias da maneira correta em relação a polaridade (+ e -), marcada na bateria e no equipamento.
- Não curto-circuito os terminais da bateria
- Não recarregue as baterias.
- Não misture baterias novas e usadas. Substitua todas ao mesmo tempo por baterias novas de mesma marca e tipo.
- Remova as baterias descarregadas e descarte-as de acordo com a legislação local.
- Não coloque as baterias no fogo.
- Mantenha as baterias longe do alcance de crianças.
- Remova as baterias se o dispositivo não for ser usado por muitos meses.

Fig. A



## SEGURANÇA PESSOAL

- **Fique alerta, preste atenção no que está fazendo e use de bom senso quando operar uma ferramenta laser.** Não use quando estiver cansado ou sob influência de drogas, álcool, ou medicamentos. Um momento de desatenção enquanto opera ferramentas elétricas pode resultar em ferimentos graves.
- **Não tente alcançar pontos afastados. Mantenha sempre os pés apoiados e o equilíbrio.** O apoio dos pés e o equilíbrio permitem um melhor controle da ferramenta em situações inesperadas.
- **Use equipamentos de segurança. Use sempre proteção ocular.** Máscara contra poeira, calçados de segurança, capacete ou protetores auditivos podem ser necessários em condições apropriadas.

## USO E CUIDADOS COM FERRAMENTA

- **Não use a ferramenta se o interruptor não ligá-la ou desligá-la.** Qualquer ferramenta que não possa ser controlada com o interruptor é perigosa e deve ser reparada.
- **Armazene as ferramentas sem uso fora do alcance de crianças ou de pessoas não treinadas.** As ferramentas são perigosas nas mãos de pessoas não treinadas.
- **Use apenas acessórios que tenham sido recomendados pelo fabricante do seu modelo.** Acessórios que podem ser usados em uma ferramenta, podem se tornar perigosos quando usados em outra ferramenta.

## SERVIÇO

- **A manutenção da ferramenta deve ser feita apenas por pessoal de serviço qualificado.** O serviço ou a manutenção executados por pessoal não qualificado pode resultar em risco de ferimentos.
- **Quando fizer reparos numa ferramenta, use apenas peças de reposição idênticas.** Siga as instruções da seção Manutenção deste manual. O uso de peças não autorizadas e a falha em seguir as Instruções de Manutenção podem criar o risco de choque elétrico ou ferimentos.

Para localizar o centro de serviço autorizado DeWALT mais próximo ligue para 1-800-4-DeWALT (1-800-433-9258) ou visite [www.DeWALT.com](http://www.DeWALT.com) na Internet.

## Dicas de Operação

- Use apenas baterias de boas marcas, novas e de alta qualidade para melhores resultados.

## PORTUGUÊS

- Assegure-se de que as baterias estejam em boas condições de trabalho. Se o indicador vermelho de bateria descarregada estiver piscando, é necessário substituir as baterias.
- Para estender a vida da bateria, desligue o laser quando não estiver usando ou marcando o feixe.
- Para manter a precisão do seu trabalho, verifique com frequência se o seu laser está calibrado. Ver **Verificação de Calibração de Campo**.
- Antes de tentar usar o laser, assegure-se de que esteja firmemente posicionado, em uma superfície lisa e plana.
- Sempre marque o centro do feixe criado pelo laser.
- Mudanças extremas de temperaturas podem causar o movimento de peças internas que podem afetar a precisão. Verifique sua precisão frequentemente enquanto trabalha. Ver **Verificação de Calibração de Campo**.
- Se o laser cair, verifique se o seu laser ainda está calibrado. Ver **Verificação de Calibração de Campo**.

### Indicação de Bateria Descarregada (Fig. B)

Os lasers DW088 são equipados com uma luz vermelha indicadora **2**, como mostrado na Figura B. A luz indicadora vermelha está localizada à esquerda dos botões liga/desliga (**3**, **4**).

A luz indicadora vermelha piscando indica que as baterias estão descarregadas e precisam ser substituídas. O laser pode continuar a operar por um tempo curto enquanto as baterias continuam a descarregar, mas os feixes vão diminuir rapidamente o brilho. Depois que as novas baterias forem instaladas e o laser religado, os feixes vão retornar ao seu brilho normal e a luz indicadora vermelha ficará apagada. (O feixe de laser piscando não é causado por baterias descarregadas; consulte **Indicador de Inclinação Fora de Faixa**.)

## OPERAÇÃO

### Para Ligar e Desligar os Lasers (Fig. B)

Com o laser desligado, coloque-o em uma superfície plana. Este modelo tem dois botões de LIGA/DESLIGA, um para a linha laser horizontal **3**, um para a linha laser vertical **4**. Cada linha laser é ligada pressionando seu botão LIGA/DESLIGA. As linhas laser podem ligadas uma de cada vez ou ao mesmo tempo. Pressionar os botões de LIGA/DESLIGA novamente desliga as linhas laser.

### Uso dos Lasers

Os lasers são nivelados ou no prumo se a calibração tiver sido verificada (Ver **Verificação de Calibração de Campo**) e o feixe laser não estiver piscando (Ver **Indicador de Inclinação Fora de Faixa**).

### Indicador de Inclinação Fora de Faixa (Fig. C, D)

Os lasers foram projetados para se autonivelar. Se o laser tiver sido tão inclinado que não possa se autonivelar (média  $>4^\circ$  de inclinação), o feixe de laser irá piscar (Fig. D). O feixe piscando indica que a faixa de inclinação foi excedida e **NÃO ESTÁ NIVELADO (OU NO PRUMO) E NÃO DEVE SER USADO PARA DETERMINAR OU MARCAR O NÍVEL (OU PRUMO)**. Tente reposicionar o laser em uma superfície mais nivelada.

Fig. C

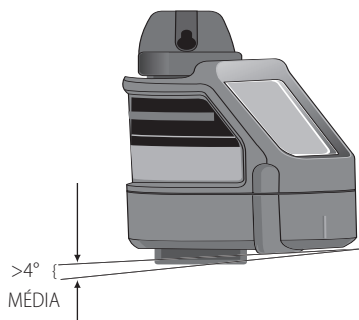


Fig. D

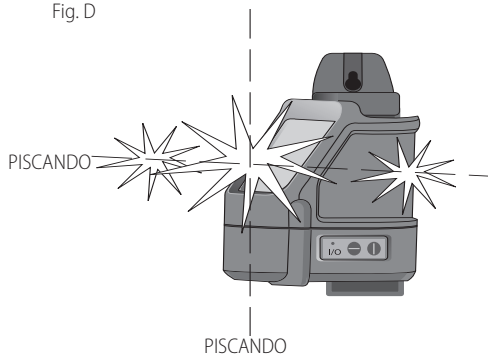
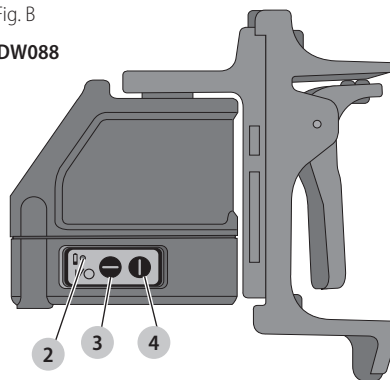


Fig. B

DW088



## Uso dos lasers com Acessórios

Os lasers vêm equipados com uma rosca 1/4–20 rosca fêmea no fundo da unidade. Esta rosca serve para acomodar acessórios atuais ou futuros da DeWALT. Use apenas acessórios DeWALT específicos para este produto. Siga as instruções incluídas com o acessório.



**CUIDADO:** O uso de qualquer acessório não recomendado para uso com esta ferramenta pode ser perigoso.

Precisar de assistência para localizar um acessório, entre em contato com a DeWALT Industrial Tool Co., 701 East Joppa Road, Towson, MD 21286 ou ligue para 1–800–4–DeWALT (1–800–433–9258). Consulte nosso catálogo World Wide Web em [www.DeWALT.com](http://www.DeWALT.com)

## Uso do Suporte Pivotado (Fig. E)

Os lasers possuem suportes magnéticos pivotados **5** permanentemente fixados às unidades. Este suporte permite que a unidade seja montada em qualquer superfície feita de aço ou ferro. Exemplos comuns de superfícies adequadas incluem estruturas de aço, aduelas de porta feitas de aço e vigas de aço estrutural. Este suporte possui também um furo oblongo **7** permitindo que a unidade seja pendurada em um prego ou parafuso em qualquer tipo de superfície. Posicione o laser e/ou suporte de parede em uma superfície estável. Ferimentos graves ou danos ao laser podem resultar caso o laser caia.

## Uso do Laser com o Suporte de Parede (Fig. E)

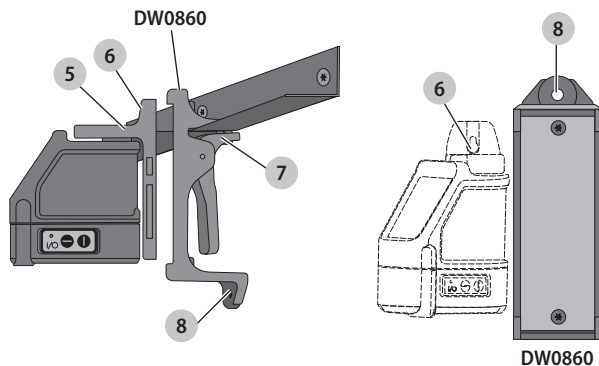
O suporte de parede do W0860 oferece mais opções de montagem para os lasers DW087 e DW088. O suporte de parede possui um grampo **11** em uma ponta que pode ser fixado a um perfil de parede para instalação de teto acústico. Em cada ponta do suporte de parede existe um furo oblongo **8**, permitindo que o suporte de parede seja fixado em qualquer tipo de superfície com um prego ou parafuso.

Após o suporte ser fixado, sua placa de aço oferece uma superfície onde o suporte magnético pivotado possa ser fixado. A posição do laser pode receber um ajuste fino deslizando o suporte pivotado, para cima ou para baixo no suporte de parede.

## Nivelamento dos Lasers

Enquanto os lasers estiverem corretamente calibrados, os lasers são autonivelantes. Cada laser é calibrado na fábrica para ficar nivelado enquanto estiver posicionado em uma superfície plana dentro de uma média de  $\pm 4^\circ$  do nível. Nenhum ajuste manual necessário.

Fig. E



## MANUTENÇÃO

- Para manter a precisão do seu trabalho, verifique o laser com frequência para ter certeza de que esteja adequadamente calibrado. Ver **Verificação de Calibração de Campo**.
- As verificações de calibração e outros reparos de manutenção podem ser executados pelos centros de serviço DeWALT.
- Quando não estiver em uso, guarde o laser no estojo fornecido com o kit. Não guarde o seu laser em temperaturas abaixo de  $-5^\circ\text{F}$  ( $-20^\circ\text{C}$ ) ou acima de  $140^\circ\text{F}$  ( $60^\circ\text{C}$ ).
- Não guarde o laser no estojo do kit quando o laser estiver úmido. O laser deve primeiro ser enxugado com um pano macio e seco.

## Limpeza

O plástico exterior pode ser limpo com um pano úmido. Apesar destas partes serem resistentes a solventes, NUNCA use solventes. Use um pano macio e seco para remover a umidade da ferramenta antes de guardar.

## Verificação de Calibração de Campo.

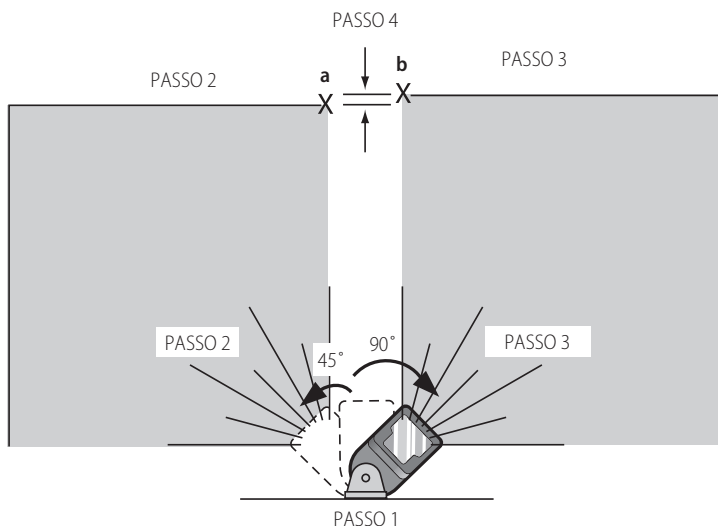
### Verificação da precisão – feixe horizontal, direção da varredura (Fig. F)

A verificação da calibração da varredura horizontal exige duas paredes a 30' (9 m) de distância. É importante fazer a verificação da calibração usando uma distância que não seja menor do que a distância das aplicações nas quais a ferramenta será usada.

1. Fixe o laser a uma parede usando seu suporte pivotante. Assegure-se de que o laser esteja apontando diretamente para a frente.
2. Ligue o feixe horizontal do laser e gire o laser aproximadamente 45° para que a ponta mais à direita da linha laser esteja tocando a parede oposta a uma distância de no mínimo 30' (9m). Marque o centro do feixe (**a**).
3. Gire o laser aproximadamente 90° para trazer a extremidade mais à esquerda da linha do laser para a marca feita no Passo 2. Marque o centro do feixe (**b**).
4. Meça a distância vertical entre as marcas.
5. Se as medidas forem maiores do que os valores mostrados abaixo, o laser precisa ser enviado para um centro de serviço autorizado.

| Distância | Distância Permissível | Entre as Paredes | Entre Marcas |
|-----------|-----------------------|------------------|--------------|
| 30'       | (9 m)                 | 1/8 pol.         | (3,0 mm)     |
| 40'       | (12 m)                | 5/32 pol.        | (4,0 mm)     |
| 50'       | (15 m)                | 7/32 pol.        | (5,0 mm)     |

Fig. F



### Verificação da precisão – feixe horizontal, direção do passo (Fig. G)

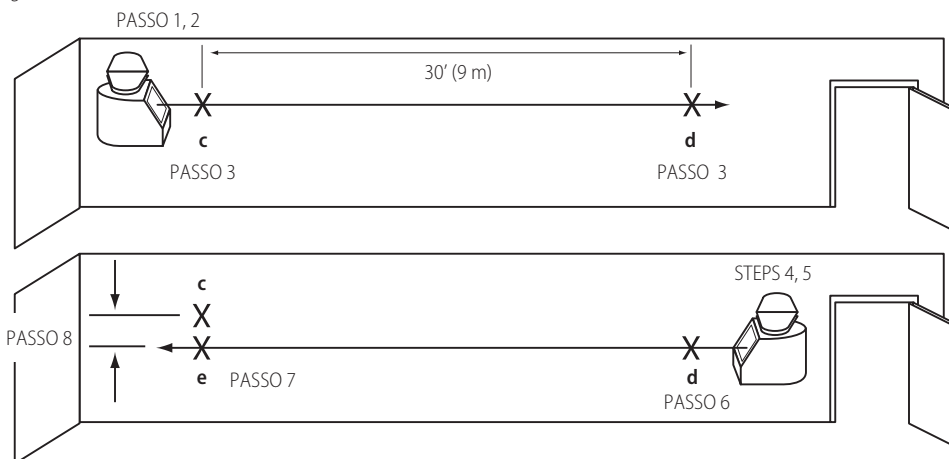
A verificação da calibração do passo horizontal exige uma parede com pelo menos 30' (9 m) de comprimento. É importante fazer a verificação da calibração usando uma distância que não seja menor do que a distância das aplicações nas quais a ferramenta será usada.

1. Fixe o laser a uma extremidade da parede usando seu suporte pivotante.
2. Ligue o feixe horizontal do laser e gire o laser em direção à extremidade oposta da parede e aproximadamente paralelo à parede adjacente.
3. Sempre marque o centro do feixe nas duas localizações (**c**, **d**) a pelo menos 30' (9 m) entre si.
4. Reposicione o laser na extremidade oposta da parede.
5. Ligue o feixe horizontal do laser e gire o laser novamente em direção à extremidade inicial da parede e aproximadamente paralelo à parede adjacente.

6. Ajuste a altura do laser para que o centro do feixe esteja alinhado com a marca mais próxima **(d)**.
7. Marque o centro do feixe **(e)** diretamente acima ou abaixo da marca mais distante **(c)**.
8. Meça a distância entre estas duas marcas **(c, e)**.
9. Se as medidas forem maiores do que os valores mostrados abaixo, o laser precisa ser enviado para um centro de serviço autorizado.

| Distância Entre as Paredes | Distância Permitida Entre as Marcas |
|----------------------------|-------------------------------------|
| 30' (9 m)                  | 1/4 pol. (6,0 mm)                   |
| 40' (12 m)                 | 5/16 pol. (8,0 mm)                  |
| 50' (15 m)                 | 13/32 pol. (10,0 mm)                |

Fig. G



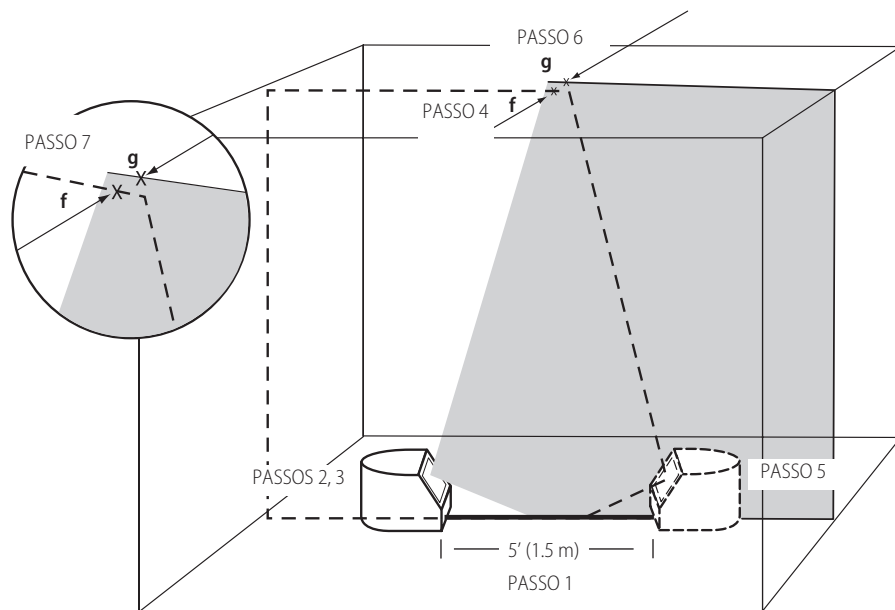
### Verificação da precisão – feixe vertical (Fig. H)

A verificação da calibração vertical (prumo) do laser pode ser feita com mais precisão quando houver uma quantidade substancial de altura vertical disponível, idealmente 30' (9 m), com uma pessoa no chão posicionando o laser e outra pessoa perto do teto para marcar a posição do feixe. É importante fazer a verificação da calibração usando uma distância que não seja menor do que a distância das aplicações nas quais a ferramenta será usada.

1. Comece marcando uma linha de 5' (1,5 m) no piso.
2. Ligue o feixe vertical do laser e posicione o feixe em uma extremidade da linha, de frente para a linha.
3. Ajuste a unidade de modo que o feixe esteja centrado na linha marcada no chão.
4. Marque a posição do feixe laser no teto **(f)**. Marque o centro do feixe laser diretamente sobre o ponto médio da linha no piso.
5. Reposicione o laser na extremidade oposta da linha no piso. Ajuste a unidade de modo que o feixe esteja centrado na linha marcada no chão.
6. Marque a posição do feixe laser no teto **(g)** diretamente ao lado da primeira marca **(f)**.
7. Meça a distância entre estas duas marcas.
8. Se as medidas forem maiores do que os valores mostrados abaixo, o laser precisa ser enviado para um centro de serviço autorizado.

| Altura do Teto | Distância Permitida Entre as Marcas |
|----------------|-------------------------------------|
| 8' (2,5m)      | 5/32 pol. (3,5 mm)                  |
| 10' (3,0m)     | 3/16 pol. (4,5 mm)                  |
| 14' (4,0 m)    | 1/4 pol. (6,0 mm)                   |
| 20' (6,0 m)    | 3/8 pol. (9,0 mm)                   |
| 30' (9,0 m)    | 1/2 pol. (13 mm)                    |

Fig. H



## Solução de problemas

### O laser não liga

- Verifique se as baterias estão instaladas de acordo com as marcas (+) e (-) no interior da tampa das baterias.
- Assegure-se de que as baterias estejam em boas condições de trabalho. Se estiver em dúvida, coloque novas baterias.
- Verifique se os contatos da bateria estão limpos e livres de ferrugem ou corrosão. Assegure-se de manter o nivelador laser seco e use apenas baterias novas, de alta qualidade e de boas marcas, para reduzir a possibilidade de vazamento das baterias.
- Se a unidade laser for aquecida acima de 120 °F (50 °C), a unidade não vai ligar. Se a unidade laser tiver sido armazenada em temperaturas extremamente altas, permita que esfrie. O nivelador laser não será danificado se o botão liga/desliga for pressionado antes de ter esfriado até a temperatura de operação adequada.

### Os feixes de laser estão piscando (Fig. C, D)

Os DW088 foram projetados para se autoalinhar até um média de 4° em qualquer direção quando posicionado como mostrado na Figura C. Se o laser tiver sido tão inclinado que o mecanismo interno não possa se colocar no prumo, os feixes de laser irão piscar (Fig. D) – a faixa de inclinação foi excedida OS FEIXES PISCANDO CRIADOS PELO LASER NÃO ESTÃO NIVELADOS OU NO PRUMO E NÃO DEVEM SER USADOS PARA DETERMINAR OU MARCAR O NÍVEL OU PRUMO. Tente reposicionar o laser em uma superfície mais nivelada.

### Os feixes de laser não param de se mover

Os DW088 são instrumentos de precisão. Desta maneira, se o laser não estiver posicionado em uma superfície estável (e imóvel), o laser vai continuar a tentar buscar o nivelamento. Se o feixe não parar de se mover, tente colocar o laser em uma superfície mais estável. Além disso, tente se certificar de que a superfície seja relativamente plana, para que o laser fique estável.

## Serviço e Reparos

**OBSERVAÇÃO:** A desmontagem dos niveladores laser cancelará todas as garantias dos produtos.

Para assegurar que o produto continue SEGURO e CONFIÁVEL, os reparos, manutenção e ajustes devem ser executados por centros de serviço autorizados. O serviço ou a manutenção da ferramenta feita por pessoal não qualificado pode resultar em risco de ferimentos. Para localizar o centro de serviço DeWALT mais próximo ligue para 1-800-4-DeWALT (1-800-433-9258) ou visite <http://www.DeWALT.com> na Internet.

A DeWALT possui uma das maiores Redes de Serviços do País, Ligue: 0800-7034644 ou consulte nosso site: [www.dewalt.com.br](http://www.dewalt.com.br), para saber qual é a mais próxima de sua localidade.

| ESPECIFICAÇÕES               | DW088   | DW088CG              |
|------------------------------|---|----------------------|
| Fonte de Luz                 | Semiconductor laser diode                     | ✓                    |
| Comprimento de Onda do Laser | 630 – 680 nm Visível                          | 510 – 530 nm Visível |
| Alimentação do Laser         | ≤1,3 mW (cada feixe) PRODUTO LASER CLASSE 2   | ✓                    |
| Alcance de Trabalho          | 165' (50m) (com detector)                     | ✓                    |
| Precisão (Nível)             | ± 1/8" per 30' (±3mm per 9m)                  | ✓                    |
| Indicadores                  | Indicador Piscando: bateria descarregada      | ✓                    |
|                              | Laser Piscando: ângulo de inclinação excedido | ✓                    |
| Fonte de Alimentação         | 3 baterias tipo AA (1,5V) (4,5V CC)           | ✓                    |
| Temperatura de Operação      | de 20 °F a 115 °F (de -10 °C a 45 °C)         | ✓                    |
| Temperatura de Armazenamento | de -5 °F a 140 °F (de -20 °C a 60 °C)         | ✓                    |
| Ambiental                    | Resistente a Água                             | ✓                    |

## Garantia Limitada de Três Anos

A DeWALT irá reparar, sem custo, quaisquer defeitos devidos a material ou fabricação por três anos a partir da data de compra. Esta garantia não cobre falhas de peças por desgaste normal ou abuso da ferramenta. Para mais detalhes sobre cobertura da e reparos em garantia, visite [www.DeWALT.com](http://www.DeWALT.com) ou ligue para 1-800-4-DeWALT (1-800-433-9258). Esta garantia não se aplica a acessórios ou danos causados por reparos ou tentativas de reparos feitas por outros. Esta garantia lhe outorga direitos legais específicos e você pode ter outros direitos que podem variar em certos estados ou províncias.

Além da garantia as ferramenta DeWALT são cobertas por nossa:

### 1 ANO DE SERVIÇO GRATUITO

A DeWALT irá manter a ferramenta e repor peças desgastadas causado pelo uso normal, sem custo, a qualquer tempo durante o primeiro ano a partir da compra

### 90 DIAS GARANTIA DE DEVOUÇÃO DO DINHEIRO

Se você estiver insatisfeito com seu Laser, Ferramenta Elétrica ou Pistola de Pregos DeWALT, por qualquer razão, envie o produto junto com a nota de compra dentro de 90 dias da data da compra para receber o reembolso total -sem perguntas

**PRODUTO RECONDICIONADO:** Os Produtos recondicionados são cobertos por uma Garantia de 1 Ano de Manutenção Gratuita. A Garantia de Devolução do Dinheiro de 90 Dias e a Garantia Limitada de Três Anos não se aplicam a produtos recondicionados.

**REPOSIÇÃO GRATUITA DAS ETIQUETAS:** Se suas etiquetas de advertência se tornarem ilegíveis ou ausentes, ligue para 1-800-4-DeWALT ou visite seu centro de serviço local para obter uma reposição gratuita.

Solamente para propósito de Argentina:  
Importado por: Black & Decker Argentina S.A.  
Pacheco Trade Center  
Colectora Este de Ruta Panamericana  
Km. 32.0 El Talar de Pacheco  
Partido de Tigre  
Buenos Aires (B1618FBQ)  
República de Argentina  
No. de Importador: 1146/66  
Tel. (011) 4726-4400

Solamente para propósito de México:  
Importado por: Black & Decker S.A. de C.V.  
Avenida Antonio Dovali Jaime, # 70 Torre B Piso 9  
Colonia Santa Fé  
Delegación Alvaro Obregón  
México D. F.: 01210  
Tel. (52) 555-326-7100  
R.F.C.: BDE810626-1W7

Solamente para propósito de Colombia:  
Importado por: Black & Decker de Colombia S.A.S  
Cra 85D #46A-65 Bodega 23  
Complejo Logístico San Cayetano  
Tel. (57) 1-744 – 71 - 00  
Bogotá  
Colombia

Imported by/Importado por:  
Black & Decker do Brasil Ltda.  
Rod. BR 050, s/nº - Km 167  
Dist. Industrial II  
Uberaba – MG – Cep: 38064-750  
CNPJ: 53.296.273/0001-91  
Insc. Est.: 701.948.711.00-98  
S.A.C.: 0800-703-4644

Hecho en China  
Fabricado no China  
Made in China

DeWALT Industrial Tool Co., 701 East Joppa Road, Towson, MD 21286  
(AUG2016) Part No. N486996 DW088, DW088CG Copyright © 2016 DeWALT

The following are trademarks for one or more DeWALT power tools: the yellow and black color scheme, the “D” shaped air intake grill, the array of pyramids on the handgrip, the kit box configuration, and the array of lozenge-shaped humps on the surface of the tool.