

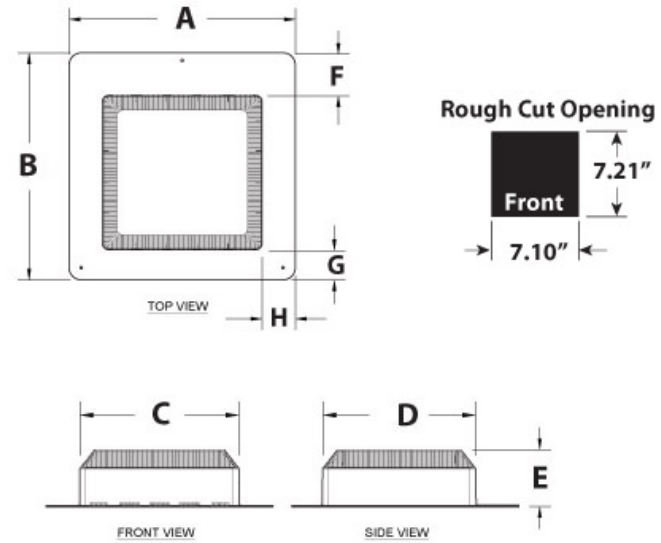


# Submittal Sheet

Part Description:  
WeatherPRO PRO50 Roof Vent 50 Sq. In.  
Gray

Part Number:  
60PRO50G

Approvals and Listings maintained by:  
**Canplas Industries Ltd**  
Canada: 1-800-461-5300 USA: 1-888-461-5307



Part #	Part UPC	Colour	Size (inches)	Ctn Qty	Ctn Bar Code	Ctn. Wt (Kgs)	Ctn. Wt (lbs)	Skid Cubic (m)	Skid Cubic (ft)	Ctns/Skid
60PRO50G	662671601513	GREY		9	10662671601510	8.77	19.29	2.73	96.43	12

### Dimensions (inches)

A	B	C	D	E	F
18.359	18.385	12.94	12.432	4.64	3.424