

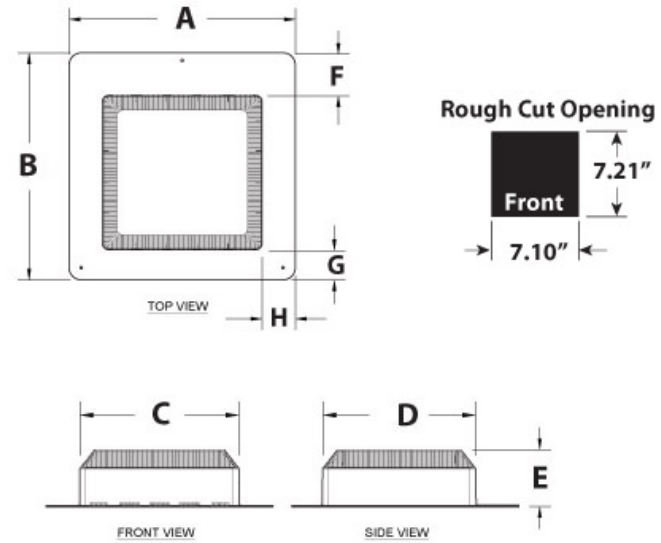
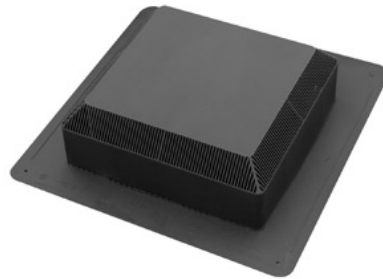


Submittal Sheet

Part Description:
WeatherPRO PRO50 Roof Vent 50 Sq. In.
Black

Part Number:
60PRO50BL

Approvals and Listings maintained by:
Canplas Industries Ltd
Canada: 1-800-461-5300 USA: 1-888-461-5307



Part #	Part UPC	Colour	Size (inches)	Ctn Qty	Ctn Bar Code	Ctn. Wt (Kgs)	Ctn. Wt (lbs)	Skid Cubic (m)	Skid Cubic (ft)	Ctns/Skid
60PRO50BL	662671601490	BLACK		9	10662671601497	8.59	18.90	2.73	96.43	12

Dimensions (inches)

A	B	C	D	E	F
18.375	18.375	12.887	12.385	4.625	3.407