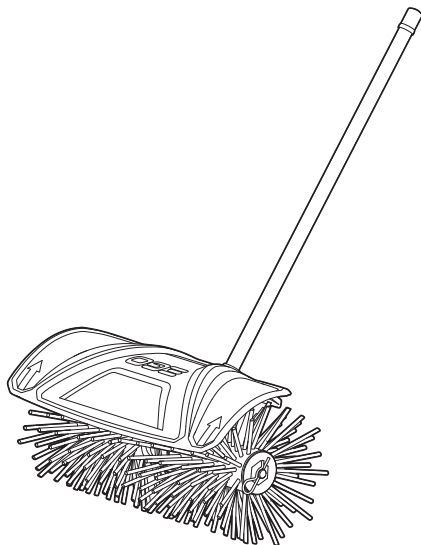


EGO™

POWER+ BRISTLE BRUSH ATTACHMENT



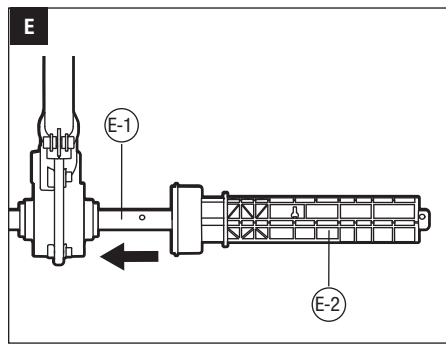
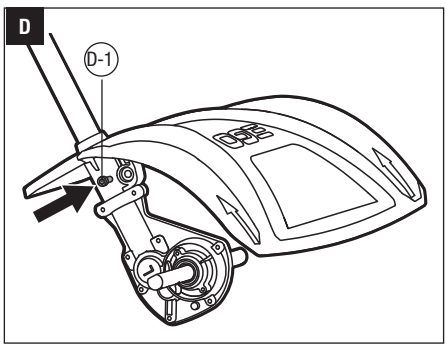
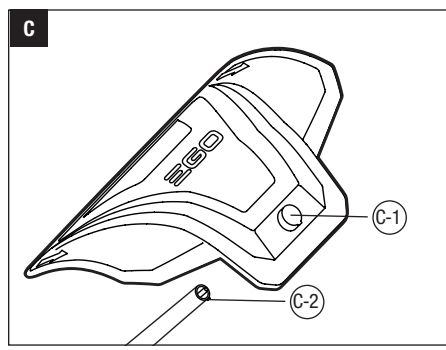
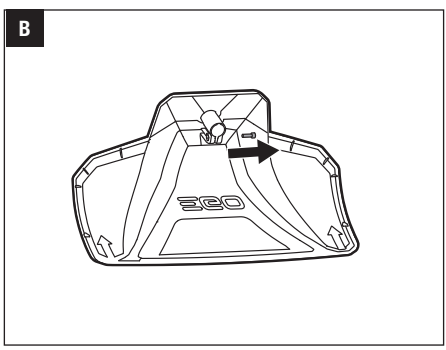
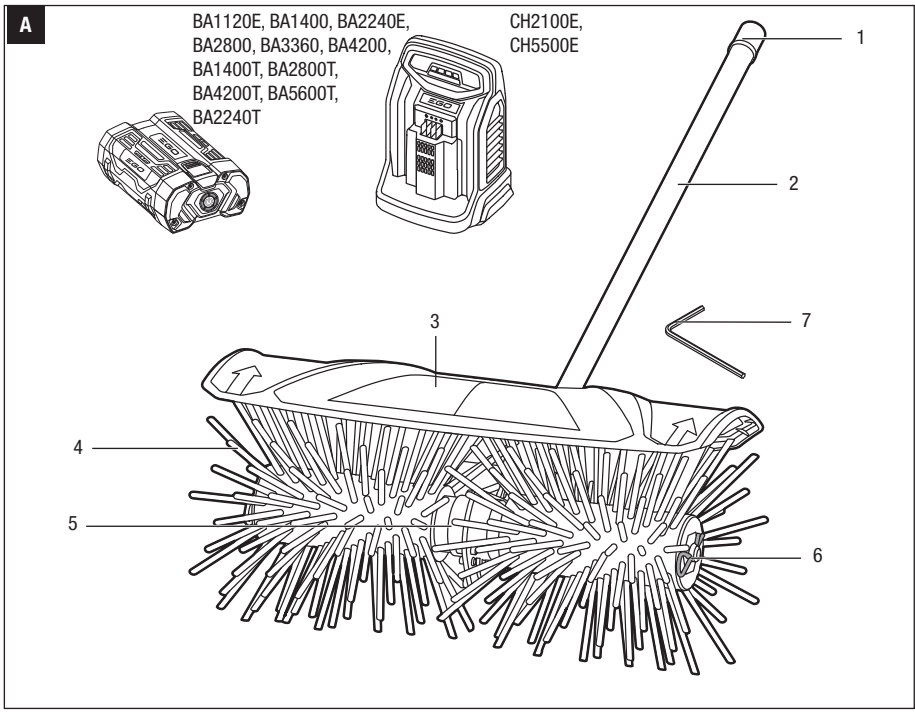
OPERATOR'S MANUAL

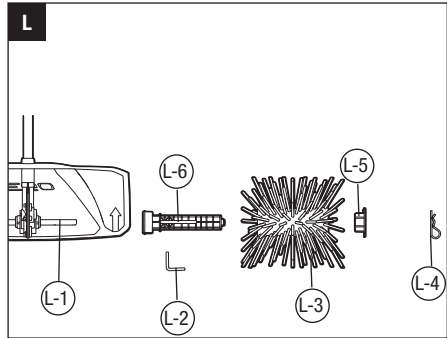
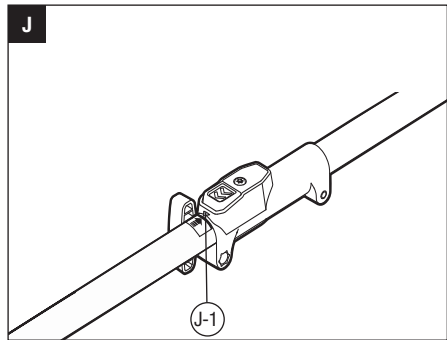
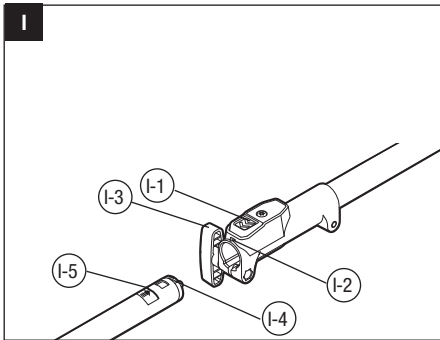
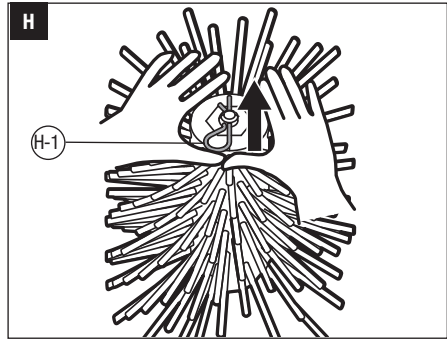
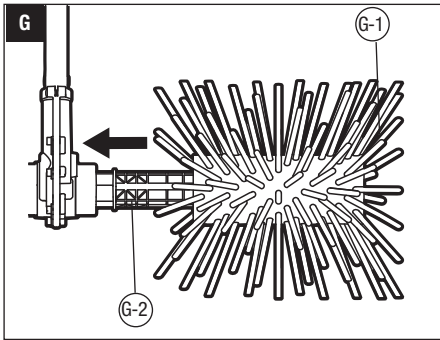
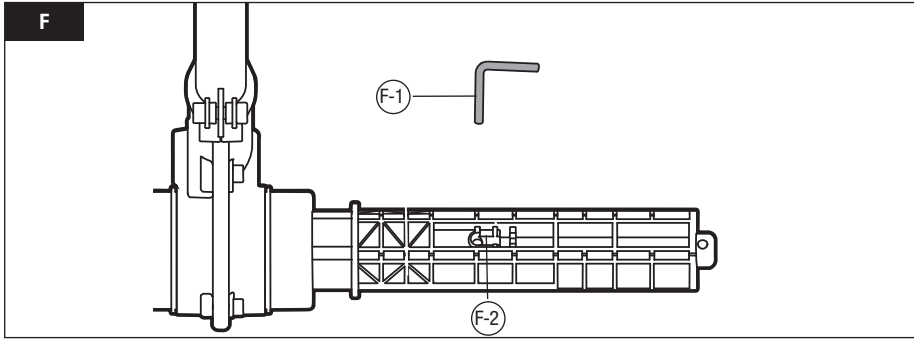
BRISTLE BRUSH ATTACHMENT

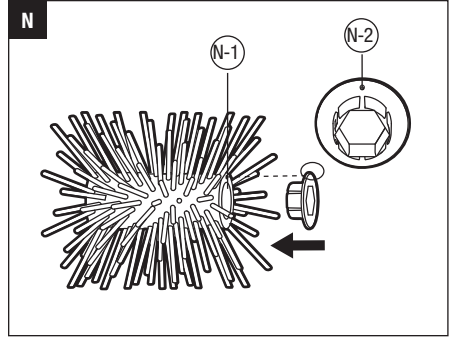
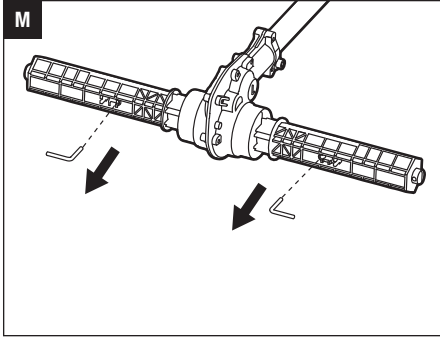
MODEL NUMBER BBA2100

FOR USE ONLY WITH THE 56V LITHIUM-ION POWER HEAD PH1400E

EN	Bristle brush attachment	5	RO	Accesoriu perie rotativă	143
DE	Bodenfräse-aufsatz	13	SL	Priključek s ščetinasto krtačo	152
FR	Accessoire rouleau brosse	22	LT	Valymo šepėčio įtaisas	160
ES	Accesorio de cepillo de púas	31	LV	Piestiprināma saru suku	168
PT	Acessório da escova de cerda	40	GR	Προσάρτημα βούρτσας καθαρισμού	176
IT	Accessorio spazzola a rullo	49	TR	Sert fırça aksesuarı	186
NL	Borstel toebehoor	58	ET	Tarvik – hari	194
DK	Børstetilbehør	67	UK	Насадка-щетинна щітка	202
SE	Tillsatsborste	75	BG	Приставка четка от четина	211
FI	Harjatelalisäosa	83	HR	Priključak s četkom s čekinjama	220
NO	Børstetilbehør	91	KA	ცილინდრული ჯაგრისის მიმაგრება	228
RU	Насадка-щетка	99	SR	Dodatak četke sa čekinjama	239
PL	Końcówka-szczotka z kolcami	109	BS	Priključak četke kultivatora	247
CZ	Nástavec pro kultivátor	118	HE	אביזר מברשת קרצוף	255
SK	Nástavec pre štetinový kefu	126	AR	ملحق الفرشاة ذات الشعير	263
HU	Seprű adapter	134			







READ ALL INSTRUCTIONS!



READ OPERATOR'S MANUAL

⚠ Residual risk! People with electronic devices, such as pacemakers, should consult their physician(s) before using this product. Operation of electrical equipment in close proximity to a heart pacemaker could cause interference or failure of the pacemaker.

⚠ WARNING: To ensure safety and reliability, all repairs and replacements should be performed by a qualified service technician.

SAFETY SYMBOLS

The purpose of safety symbols is to attract your attention to possible dangers. The safety symbols and the explanations with them deserve your careful attention and understanding. The symbol warnings do not, by themselves, eliminate any danger. The instructions and warnings they give are no substitutes for proper accident prevention measures.

⚠ WARNING: Be sure to read and understand all safety instructions in this Operator's Manual, including all safety alert symbols such as **"DANGER," "WARNING,"** and **"CAUTION"** before using this tool. Failure to follow all instructions listed below may result in electric shock, fire, and/or serious personal injury.

SYMBOL MEANING

⚠ SAFETY ALERT SYMBOL: Indicates **DANGER, WARNING, OR CAUTION,** may be used in conjunction with other symbols or pictographs.



⚠ WARNING: The operation of any power tools can result in foreign objects being thrown into your eyes, which can result in severe eye damage. Before beginning power tool operation, always wear safety goggles or safety glasses with side shields and a full face shield when needed. We recommend a Wide Vision Safety Mask for use over eyeglasses or standard safety glasses with side shields.

SAFETY INSTRUCTIONS

This page depicts and describes safety symbols that may appear on this product. Read, understand, and follow all instructions on the machine before attempting to assemble and operate it.

	Safety Alert	Indicates a potential personal injury hazard.
	Read Operator's Manual	To reduce the risk of injury, user must read and understand operator's manual before using this product.
	Wear Eye Protection	Always wear safety goggles or safety glasses with side shields and a full face shield when operating this product.
	Keep Bystanders Away	Keep Bystanders at a Safe Distance
	Wear Protective Gloves	Protect your hands with gloves when handling blades. Heavy-duty, nonslip gloves improve your grip and protect your hands.
	Wear Safety Footwear	Wear non-slip safety footwear when using this equipment.
	Ricochet	Thrown objects can ricochet and result in personal injury or property damage.
	Do Not Expose To Rain	Do not use in the rain or leave outdoors while it is raining.
	CE	This product is in accordance with applicable EC directives.
	WEEE	Waste electrical products should not be disposed of with household waste. Take to an authorized recycler.
	Noise	Guaranteed sound power level. Noise emission to the environment according to the European community's Directive
V	Volt	Voltage
mm	Millimeter	Length or size
kg	Kilogram	Weight

EN

GENERAL POWER TOOL SAFETY WARNINGS

⚠ WARNING! Read all safety warnings, instructions, illustrations and specifications provided with this power tool. Failure to follow all instructions listed below may result in electric shock, fire and/or serious injury.



EN

Save all warnings and instructions for future reference.

WORK AREA SAFETY

- **Keep work area clean and well lit.** Cluttered or dark areas invite accidents.
- **Do not operate power tools in explosive atmospheres, such as in the presence of flammable liquids, gases or dust.** Power tools create sparks which may ignite the dust or fumes.
- **Keep children and bystanders away while operating a power tool.** Distractions can cause you to lose control.

ELECTRICAL SAFETY

- **Do not expose power tools to rain or wet conditions.** Water entering a power tool will increase the risk of electric shock.

PERSONAL SAFETY

- **Stay alert, watch what you are doing and use common sense when operating a power tool. Do not use a power tool while you are tired or under the influence of drugs, alcohol medication.** A moment of inattention while operating power tools may result in serious personal injury.
- **Always use personal protective equipment.** Personal protective equipment such as eye protection, dust mask, non-skid safety shoes, hard hat and/or hearing protection used for appropriate conditions will reduce personal injuries.
- **Prevent unintentional starting. Ensure the switch is in the off-position before connecting to power source and/or battery pack, picking up or carrying the tool.** Carrying power tools with your finger on the switch or energizing power tools that have the switch on invites accidents.
- **Remove any adjusting key or wrench before turning the power tool on.** A wrench or a key left attached to a rotating part of the power tool may result in personal injury.
- **Do not overreach. Keep proper footing and balance at all times.** This enables better control of the power tool in unexpected situations.
- **Dress properly. Do not wear loose clothing or jewellery. Keep your hair, clothing and gloves away from moving parts.** Loose clothes, jewelry or long hair can be caught in moving parts.
- **If devices are provided for the connection of dust extraction and collection facilities, ensure these are connected and properly used.** Use of dust devices can reduce dust-related hazards.

- **Do not let familiarity gained from frequent use of tools allow you to become complacent and ignore tool safety principles.** A careless action can cause severe injury within a fraction of a second.

POWER TOOL USE AND CARE

- **Do not force the power tool. Use the correct power tool for your application.** The correct power tool will do the job better and safer at the rate for which it was designed.
- **Do not use the power tool if the switch does not turn it on and off.** Any power tool that cannot be controlled with the switch is dangerous and must be repaired.
- **Remove the battery pack, if detachable, from the power tool and/or activate any battery disabling device before clearing jammed material, making any adjustments, changing accessories, cleaning, or storing power tools** Such preventive safety measures reduce the risk of starting the power tool accidentally.
- **Store idle power tools out of the reach of children and do not allow persons unfamiliar with the power tool or these instructions to operate the power tool.** Power tools are dangerous in the hands of untrained users.
- **Maintain power tools and accessories. Check for misalignment or binding of moving parts, breakage of parts and any other condition that may affect the power tool's operation. If damaged, have the power tool repaired before use.** Many accidents are caused by poorly maintained power tools and accessories.
- **Keep cutting tools sharp and clean.** Properly maintained cutting tools with sharp cutting edges are less likely to bind and are easier to control.
- **Use the power tool, accessories and tool bits etc. in accordance with these instructions, taking into account the working conditions and the work to be performed.** Use of the power tool for operations different from those intended could result in a hazardous situation.
- **Keep handles and grasping surface dry, clean and free from oil and grease.** Slippery handles and grasping surfaces do not allow for safe handling and control of the tool in unexpected situations.

BATTERY TOOL USE AND CARE

- **Recharge only with the charger specified by the manufacturer.** A charger that is suitable for one type of battery pack may create a risk of fire when used with another battery pack.
- **Use power tools only with specifically designated battery packs.** Use of any other battery packs may create a risk of injury and fire.

- **When battery pack is not in use, keep it away from other metal objects, like paper clips, coins, keys, nails, screws or other small metal objects, that can make a connection from one terminal to another.** Shorting the battery terminals together may cause burns or a fire.
- **Under abusive conditions, liquid may be ejected from the battery; avoid contact. If contact accidentally occurs, flush with water. If liquid contacts eyes, additionally seek medical help.** Liquid ejected from the battery may cause irritation or burns.
- **Do not use a battery pack or tool that is damaged or modified.** Damaged or modified batteries may exhibit unpredictable behavior resulting in fire, explosion or risk of injury.
- **Do not expose a battery pack or tool to fire or excessive temperature.** Exposure to fire or temperature above 100 °C may cause explosion.
- **Follow all charging instructions and do not charge the battery pack or tool outside the temperature range specified in the instructions.** Charging improperly or at temperatures outside the specified range may damage the battery and increase the risk of fire.

OTHER SAFETY WARNINGS

Training

- Read the instructions carefully. Be familiar with the controls and the proper use of the machine.
- Never allow people unfamiliar with these instructions or children to use the machine. Local regulations can restrict the age of the operator.
- Never work while people, especial children or pets are nearby.
- Keep in mind that the operator or user is responsible for accidents or hazards occurring to other people or their property.

Preparation

- While working, always wear substantial footwear and long trousers. Do not operate the equipment when barefoot or wearing open sandals.
- Thoroughly inspect the area where the equipment is to be used and remove all objects which can be thrown up by machine.
- Before using, always visually inspect to see that the tools are not worn out or damaged. Replace worn out or damaged elements and bolts in sets to preserve balance.

Operation

- Do not operate the engine in the confined space where dangerous carbon monoxide fumes can collect.
- Work only in daylight or in good artificial light.
- Always be sure of your footing on slopes.
- Walk, never run with the machine.
- For wheeled rotary machines, work across the slopes, never up and down.
- Exercise extreme caution when changing direction on slopes.
- Do not work on excessively steep slopes.
- Use extreme caution when reversing or pulling the machine towards you.
- Do not change the engine governor settings or over speed the engine.
- Start the engine carefully according to manufacturer instructions and with feet well away from tool.
- Do not put your hands or feet near or under rotating parts.
- Never pick up or carry a machine while the engine is running.

OPERATION ON A SLOPE:

Slopes are a major factor related to slip-and-fall accidents, which can result in severe injury. Always be sure of your footing on slopes. Operation on slopes requires extra caution. If you feel uneasy on a slope, do not use it.

- Watch for holes, ruts, rocks, hidden objects, or bumps which can cause you to slip or trip. Tall grass can hide obstacles.

SERVICE

- **Have your power tool serviced by a qualified repair person using only identical replacement parts.** This will ensure that the safety of the power tool is maintained.
- **Never service damaged battery packs.** Service of battery packs should only be performed by the manufacturer or authorized service providers.

⚠ WARNING: Read all safety warnings, instructions, illustrations and specifications provided with this power tool. Failure to follow all instructions listed below may result in electric shock, fire and/or serious injury. Save all warnings and instructions for future reference.

- Use only with EGO's battery packs and chargers listed in fig.A.

SAVE THESE INSTRUCTIONS

EN SPECIFICATIONS

Brush Drum Diameter	250mm	
Cleaning Swath	560mm	
Recommended Operating Temperature	-15°C -40°C	
Recommended Storage Temperature	-20°C-70°C	
Weight (including the guard)	5.05 kg	
Measured sound power level L_{WA}	91.4 dB(A) K=2.02 dB(A)	
Sound pressure level at operator's ear L_{PA}	82.8 dB(A) K=2.5 dB(A)	
Guaranteed sound power level L_{WA} (measured according to 2000/14/EC)	93 dB(A)	
Valuation of vibration a_h	Front-assist handle	0.46 m/s ² K= 1.5 m/s ²
	Rear handle	1.43 m/s ² K= 1.5 m/s ²

- The above parameters are tested and measured equipped with power head PH1400E.
- The declared vibration total value has been measured in accordance with a standard test method and may be used for comparing one tool with another;
- The declared vibration total value may also be used in a preliminary assessment of exposure.

NOTICE: The vibration emission during actual use of the power tool can differ from the declared value in which the tool is used; In order to protect the operator, user should wear gloves and ear protectors in the actual conditions of use.

PACKING LIST

PART NAME	QUANTITY
Bristle Brush Attachment	1
Brush Roller	2
Drive Axle	2
Guard (with bolt)	1
Allen Key	1
Hitch pin	2
Lock pin	2
Operator's Manual	1

DESCRIPTION

KNOW YOUR BRISTLE BRUSH ATTACHMENT (Fig.A)

1. End Cap
2. Bristle Brush Attachment Shaft
3. Guard
4. Brush Roller
5. Gear Box
6. Hitch Pin
7. Allen Key

ASSEMBLY

⚠ WARNING: If any parts are damaged or missing, do not operate this product until the parts are replaced. Use of this product with damaged or missing parts could result in serious personal injury.

⚠ WARNING: Do not attempt to modify this product or create accessories not recommended for use with this product. Any such alteration or modification is misuse and could result in a hazardous condition leading to possible serious personal injury.

⚠ WARNING: To prevent accidental starting that could cause serious personal injury, always unplug the battery connector from the socket when assembling parts.

⚠ WARNING: Do not connect the bristle brush to the power head until assembly is complete. Failure to comply could result in accidental starting and possible serious personal injury.

MOUNTING THE GUARD

⚠ WARNING: Install the guard before the bristle brush attachment is connected to the power head.

1. Loosen and remove the bolt from the guard with the supplied Allen key (Fig. B).
2. Lift the bristle brush attachment shaft and remove the end cap from the shaft.
3. With the slot in the guard aligned with the rib on the end of the shaft, pass the guard through the shaft until the screw holes in the guard and in the shaft are aligned (Fig. C & D).

Fig. C & D parts description see below:

C-1	Slot
C-2	Rib
D-1	Bolt

4. Use the supplied Allen key to tighten the bolt clockwise to lock the guard securely.

MOUNTING THE BRUSH ROLLERS

1. Push the drive axle onto the driven shaft (Fig. E).

Fig. E parts description see below:

E-1	Driven Shaft
E-2	Drive Axle

2. To secure the drive axle to the driven shaft, insert the lock pin into the locking hole.

NOTICE: The lock pin needs to be installed into place (Fig. F).

Fig. F parts description see below:

F-1	Lock Pin
F-2	Locking Hole

3. Follow the same steps to mount the other drive axle.
4. Push the brush roller onto the drive axle (Fig. G).

Fig. G parts description see below:

G-1	Brush Roller
G-2	Drive Axle

5. Insert the hitch pin into the hole at the end to secure the brush roller to the drive axle (Fig. H).

Fig. H parts description see below:

H-1	Hitch Pin
-----	-----------

6. Follow the same steps to mount the other brush roller.

CONNECTING THE BRISTLE BRUSH ATTACHMENT TO THE POWER HEAD

⚠ WARNING: Never attach or adjust any attachment while the power head is running or with the battery installed. Failure to stop the motor and remove the battery may cause serious personal injury.

This bristle brush attachment is designed for use with EGO Power Head PH1400E

1. Stop the motor and remove the battery pack.
2. Loosen the wing nut on the power head coupler.
3. If the end cap is on the attachment shaft, remove it and save it in a safe place for later use.

Align the arrow on the bristle brush shaft with the arrow on the coupler (Fig. I) and push the bristle brush shaft into the coupler until you hear a clear "CLICK" sound (Fig. J).

Fig. I parts description see below:

I-1	Shaft-Release Button
I-2	Arrow on the Coupler
I-3	Wing Nut

I-4	Arrow on the Attachment Shaft
I-5	Red Line

Fig. J parts description see below:

J-1	Red Line
-----	----------

4. Slightly pull the shaft of the bristle brush attachment to verify that it is securely locked into the coupler. If not, move the bristle brush shaft back and forth in the coupler until a clear "CLICK" sound indicates that it is engaged.
5. Tighten the wing nut securely.

⚠ WARNING: Be sure the wing nut on the coupler is fully tightened before operating the equipment; check it periodically for tightness during use to avoid serious personal injury.

REMOVING THE ATTACHMENT FROM THE POWER HEAD

1. Stop the motor and remove the battery pack.
2. Loosen the wing nut.
3. With the shaft-release button depressed, pull or twist the bristle brush attachment shaft out of the coupler to remove it from the power head.

OPERATION

⚠ WARNING: Do not allow familiarity with this product to make you careless. Remember that a careless fraction of a second is sufficient to inflict serious injury.

⚠ WARNING: Always wear eye protection, along with hearing protection. Failure to do so could result in objects being thrown into your eyes and other possible serious injuries.

⚠ WARNING: Do not use any attachments or accessories not recommended by the manufacturer of this product. The use of attachments or accessories not recommended can result in serious personal injury.

APPLICATIONS

You may use this product for the purpose listed below:

- Cleaning areas and paths, including uneven and jointed surfaces.
- Cleaning the pavement/concrete/asphalt driveways, walkways, and yards.

⚠ WARNING: Dress properly to reduce the risk of injury when operating this tool. Do not wear loose clothing or jewelry. Wear eye protection. Wear heavy, long pants, boots and gloves. Do not wear short pants or sandals or go barefoot.

EN

If the surface to be cleaned is dry, spray it with water to reduce the amount of dust created.

You should work with the bristle brush forward. Hold the bristle brush with one hand on the rear handle and the other hand on the front-assist handle. Keep a firm grip with both hands while operating the bristle brush.

Hold and guide the bristle brush at a shallow angle. If the bristle brush is held at too steep an angle, it tends to push back towards the operator.

Maintain your grip and balance on both feet (Fig. K).

Thrown materials may seriously injure the operator or bystander. To reduce the risk of personal injury, it is essential to take the following precautions:

- Always hold the bristle brush with both hands when operating. Use a firm grip on both handles.
- Move the bristle brush to the work area before starting and start the bristle brush at a lower speed.
- To reduce the risk of injury from loss of control, hold and guide the bristle brush at a shallow angle. If the bristle brush is held at too steep an angle, it tends to push back towards the operator.

Before each use check for damaged/worn parts

Check the brush roller, guard, front-assist handle, and drive axle and replace any parts that are cracked, warped, bent, or damaged in any way.

Clean the bristle brush after each use

See the Maintenance section for cleaning instructions.

TO START/STOP THE TOOL

See "STARTING/STOPPING THE POWER HEAD" section in the power head PH1400E operator's manual

MAINTENANCE

⚠ WARNING: When servicing, use only identical replacement parts. Use of any other parts may create a hazard or cause product damage. To ensure safety and reliability, all repairs should be performed by a qualified service technician.

⚠ WARNING: Battery tools do not have to be plugged into an electrical outlet; therefore, they are always in operating condition. To prevent serious personal injury, take extra precautions and care when performing maintenance, service or for changing the cutting attachment or other attachments.

⚠ WARNING: To prevent serious personal injury, remove the battery pack from the power head and wait for the brush roller stop before servicing, cleaning, changing add-on attachments or when the product is not in use.

GENERAL MAINTENANCE

⚠ WARNING: Do not at any time let brake fluids, gasoline, petroleum-based products, penetrating oils, etc., come in contact with plastic parts. Chemicals can damage, weaken, or destroy plastic, which may result in serious personal injury.

⚠ WARNING: When cleaning the bristle brush attachment, DO NOT immerse it in water or other liquids. Do not clean your machine with a pressure washer. The solid jet of water may damage parts of the machine.

BRUSH ROLLER MAINTENANCE

- Clean the brush roller frequently.
- If any of the brush roller needs replacing due to damage, replace both brush rollers for best performance.

All bristle brush service, other than the items listed in these maintenance instructions, should be performed by authorized service personnel.

REPLACING THE BRUSH ROLLERS

⚠ WARNING: A damaged brush roller may break into pieces after long-time use, which may cause dangerous projectiles. Thrown objects can cause serious injury. Inspect it regularly and do not operate the bristle brush with worn or damaged parts.

To Remove (Fig. L)

1. Remove the hitch pin from the end of the drive axle.
2. Pull the brush roller, together with cover plate on it, off the drive axle.
3. If the drive axle is damaged, remove the lock pin from the hole of the drive axle and pull the drive axle off the driven shaft (Fig. M).
4. If the cover plate is damaged, pull it from the brush roller and replace it.
5. Follow the same steps to remove the other brush roller.

Fig. L parts description see below:

L-1	Driven Shaft	L-4	Hitch Pin
L-2	Lock Pin	L-5	Cover Plate
L-3	Brush Roller	L-6	Drive Axle

To Install

1. Install the drive axle onto the driven shaft and insert the lock pin into the hole on the drive axle (see Fig. F).
2. Install the cover plate onto the brush roller with the rib in the cover plate aligned with the hole on the brush roller (Fig. N).

Fig. N parts description see below:

N-1	Hole
N-2	Rib

3. Push the brush roller onto the drive axle (see Fig. G).
4. Insert the hitch pin in the hole at the end of the drive axle and fold it flat.
5. Follow the same steps to mount the other brush roller.

⚠ WARNING: Always replace both brush rollers at the same time.

CLEAN THE UNIT

- Remove the battery.
- Clear the pieces of roots, clogged soils, or plants from the brush rollers, guard, or the gear box. For thorough cleaning, remove the brush rollers and guard to wash them thoroughly. For detailed replacement steps please see above section "REPLACING THE BRUSH ROLLERS".
- Keep the air vents free of obstructions.

STORING THE UNIT

- Remove the battery pack from the tool.
- Clean the tool thoroughly and inspect the brush rollers.
- Remove the bristle brush attachment from the power head and cover the attachment shaft with end cap to avoid dirt getting into the coupling.
- Store the tool in a dry, well-ventilated area, locked-up or up high, out of the reach of children. Do not store the unit on or adjacent to fertilizers, gasoline, or other chemicals.

Protecting the environment



Do not dispose of electrical equipment, battery charger and batteries/rechargeable batteries into household waste! According to the European law 2012/19/EU, electrical and electronic equipment that is no longer usable and according to the European law 2006/66/EC, defective or used battery packs/batteries, must be collected separately. If electrical appliances are disposed of in landfills or dumps, hazardous substances can leak into the groundwater and get into the food chain, damaging your health and well-being.

EN



EN TROUBLE SHOOTING

PROBLEM	CAUSE	SOLUTION
Bristle brush fails to start.	<ul style="list-style-type: none">■ The battery pack is not properly attached to the power head.■ No electrical contact between the power head and the battery pack.■ The battery pack is depleted.■ The lock-off lever and trigger of the power head are not depressed simultaneously.■ Still not start beyond the above reasons.	<ul style="list-style-type: none">■ Attach the battery pack to the power head.■ Remove battery, check contacts and reinstall the battery pack so that it snaps into place.■ Charge the battery pack with an EGO charger listed in this manual.■ Press the lock-off lever and hold it, then depress the trigger to turn on.■ Contact EGO Customer Service.
Bristle brush is obviously damaged.	<ul style="list-style-type: none">■ Abnormal damage during transportation or use.	<ul style="list-style-type: none">■ Contact EGO Customer Service.
Bristle brush stops while brushing.	<ul style="list-style-type: none">■ The motor is overloaded.■ The battery pack or the power head is too hot.■ The battery pack is disconnected from the tool.■ The battery pack is depleted.■ Still not start beyond the above reasons.	<ul style="list-style-type: none">■ The motor will recover when the load is removed. For continuous work, decrease the load on the bristle brush.■ Allow the battery pack or the power head to cool until the its temperature drops below 67°C.■ Re-install the battery pack.■ Charge the battery pack with an EGO charger listed in this manual.■ Contact EGO Customer Service.

WARRANTY

EGO WARRANTY POLICY

Please visit the website egopowerplus.com for full terms and conditions of the EGO Warranty policy.

LESEN SIE ALLE ANWEISUNGEN!



READ OPERATOR'S MANUAL

⚠ Restrisiko! Menschen mit elektronischen Geräten, wie z.B. Herzschrittmachern, sollten ihren Arzt konsultieren, bevor sie dieses Gerät verwenden. Die Bedienung von Elektrogeräten in unmittelbarer Nähe zu Herzschrittmachern kann zu Interferenzen und Störungen des Schrittmachers führen.

⚠ WARNING: Um die Sicherheit und Zuverlässigkeit zu gewährleisten, sollten alle Reparaturen und der Austausch von Teilen nur von qualifizierten Servicetechnikern durchgeführt werden.

WARNSYMBOL

Der Zweck von Warnsymbolen besteht darin, Ihre Aufmerksamkeit auf mögliche Gefahren zu lenken. Die Warnsymbole und deren Erklärungen verdienen Ihre vollste Aufmerksamkeit und Beachtung. Durch die Warnsymbole allein sind die Gefahren noch nicht ausgeschaltet. Die Anweisungen und Warnhinweise stellen keinen Ersatz für angemessene Unfallverhütungsmaßnahmen dar.

⚠ WARNING: Vor der Benutzung des Geräts sollten Sie alle Sicherheitsanweisungen in dieser Bedienungsanleitung gelesen und verstanden haben, vor allem die Sicherheits- und Gefahrenzeichen wie „**VORSICHT**“, „**WARNING**“ und „**ACHTUNG**“. Die Nichtbeachtung aller aufgeführter Anweisungen kann zu Stromschlägen, Bränden und/oder schweren Verletzungen führen.

SYMBOLBEDEUTUNG

⚠ SICHERHEITSWARNSYMBOL: Weist auf **GEFAHR**, **WARNING** ODER **VORSICHT** hin, es kann zusammen mit anderen Symbolen oder Bildern verwendet werden.



⚠ WARNING: Beim Betrieb von Elektrowerkzeugen besteht die Gefahr, dass Fremdkörper in Ihre Augen geschleudert werden und Sie dadurch schwerwiegende Augenschäden davontragen. Tragen Sie immer eine Schutzbrille, wenn möglich mit Seitenschutz, oder, falls nötig, einen vollen Gesichtsschutz, bevor Sie Arbeiten mit dem Elektrowerkzeug verrichten. Wir empfehlen Ihnen, einen Gesichtsschutz über Ihrer eigenen Brille oder eine herkömmliche Schutzbrille mit Seitenschutz zu tragen.

SICHERHEITSHINWEISE

Auf dieser Seite werden die Warnsymbole vorgestellt und beschrieben, die sich unter Umständen an dem Gerät befinden. Alle Anweisungen am Gerät lesen, verstehen und befolgen, bevor das Gerät montiert und eingesetzt wird.

DE

	Sicherheitswarnung	Weist auf mögliche Verletzungsgefahren hin.
	Bedienungsanleitung lesen	Um das Verletzungsrisiko zu verringern, muss der Benutzer die Bedienungsanleitung vor der Benutzung des Gerätes gelesen und verstanden haben.
	Augenschutz tragen	Tragen Sie immer eine Schutzbrille, möglichst mit Seitenschutz, und einen Gesichtsschutz, wenn Sie das Gerät bedienen.
	Unbefugte Personen fernhalten	Sicherheitsabstand einhalten
	Schutzhandschuhe tragen	Schützen Sie Ihre Hände mit Handschuhen, wenn Sie die Messer anfassen. Robuste, rutschfeste Handschuhe tragen zu mehr Griffsicherheit bei und schützen Ihre Hände.
	Tragen Sie Sicherheitsschuhe	Tragen Sie beim Gebrauch dieses Gerätes rutschfeste Sicherheitsschuhe.
	Querschläger	Weggeschleuderte Gegenstände können abprallen und Personen- oder Sachschäden verursachen.
	Vor Regen schützen	Nicht im Regen verwenden oder bei Regen im Freien liegen lassen.
	CE	Dieses Produkt erfüllt die einschlägigen EG-Richtlinien.
	WEEE	Elektrische Altgeräte dürfen nicht im Hausmüll entsorgt werden. Bringen Sie das Gerät zu einem Wertstoffhof.
	Lärm	Garantierter Schalleistungspegel. Geräuschemission an die Umgebung gemäß Richtlinie der Europäischen Gemeinschaft.
V	Volt	Spannung
mm	Millimeter	Länge oder Größe
kg	Kilogramm	Gewicht

ALLGEMEINE SICHERHEITSHINWEISE ZU ELEKTROWERKZEUGEN

⚠️ WARNUNG! Lesen Sie alle Sicherheitshinweise, Anweisungen, Abbildungen und Spezifikationen, die diesem Elektrowerkzeug beiliegen. Die Nichtbeachtung der unten aufgeführten Anweisungen kann zu Stromschlägen, Feuer und/oder schweren Verletzungen führen.

Bewahren Sie alle Warn- und Bedienhinweise für Nachschlagezwecke auf.

SICHERHEIT IM ARBEITSBEREICH

- Halten Sie den Arbeitsbereich stets sauber und gut beleuchtet. Unaufgeräumte oder dunkle Bereiche können Unfälle provozieren.
- Verwenden Sie Elektrowerkzeuge nicht in explosionsgefährdeten Umgebungen wie z. B. in Gegenwart von entzündlichen Flüssigkeiten, Gasen oder Staub. Elektrowerkzeuge erzeugen Funken, die Staub oder Dämpfe entzünden können.
- Halten Sie Schaulustige und Kinder fern, während Sie das Elektrowerkzeug einsetzen. Ablenkungen können dazu führen, dass Sie die Kontrolle verlieren.

ELEKTRISCHE SICHERHEIT

- Schützen Sie Elektrowerkzeuge vor Regen oder feuchten Bedingungen. Wenn Wasser in das Elektrowerkzeug eindringt, besteht erhöhte Stromschlaggefahr.

PERSONENSICHERHEIT

- Seien Sie wachsam, geben Sie darauf Acht, was Sie tun, und benutzen Sie Ihren gesunden Menschenverstand, wenn Sie ein Elektrowerkzeug verwenden. Betreiben Sie das Gerät nicht, wenn Sie müde sind oder unter dem Einfluss von Drogen, Alkohol oder Medikamenten stehen. Ein Moment der Unachtsamkeit kann beim Gebrauch eines Elektrowerkzeugs zu ernsthaften Verletzungen führen.
- Tragen Sie immer eine persönliche Schutzausrüstung. Durch eine für die jeweiligen Bedingungen geeignete persönliche Schutzausrüstung wie etwa eine Schutzbrille, Staubschutzmaske, rutschfeste Schuhe, Helm und/oder Gehörschutz lässt sich die Verletzungsgefahr verringern.
- Ungewollten Anlauf verhindern. Vor dem Anschließen an eine Steckdose und/oder einen Akku und vor dem Aufheben oder Transportieren des Werkzeugs immer kontrollieren, ob der Hauptschalter in ausgeschalteter Position ist. Unfälle sind vorprogrammiert, wenn Sie Elektrowerkzeuge mit einem Finger am Betriebsschalter tragen oder Elektrowerkzeuge mit eingeschaltetem Betriebsschalter an eine Steckdose anschließen.

- Entfernen Sie alle Einstellschlüssel oder Schraubenschlüssel, bevor Sie das Elektrowerkzeug einschalten. Ein Schraubenschlüssel oder ein Schlüssel, der noch an einem beweglichen Teil des Elektrowerkzeugs befestigt ist, kann Verletzungen hervorrufen.
- Nicht überstrecken. Achten Sie stets auf einen festen Stand und halten Sie das Gleichgewicht. Dies ermöglicht in unerwarteten Situationen eine bessere Kontrolle über das Elektrowerkzeug.
- Tragen Sie angemessene Kleidung. Tragen Sie keine weite Kleidung oder Schmuck. Halten Sie Ihr Haar, Ihre Kleidung und Handschuhe von den beweglichen Teilen fern. Weite Kleidung, Schmuck oder langes Haar können sich in den beweglichen Teilen verfangen.
- If devices are provided for the connection of dust extraction and collection facilities, ensure these are connected and properly used. Use of dust devices can reduce dust-related hazards.
- Lassen Sie sich nicht durch die aufgrund häufiger Benutzung entstandene Vertrautheit mit Werkzeugen dazu verleiten, unachtsam zu werden und die für Werkzeuge geltenden Sicherheitsgrundsätze zu ignorieren. Eine fahrlässige Handlung kann bereits im Bruchteil einer Sekunde zu schweren Verletzungen führen.

GEBRAUCH UND PFLEGE DES ELEKTROWERKZEUGS

- Üben Sie keinen übermäßigen Druck auf das Elektrowerkzeug aus. Verwenden Sie ein geeignetes Elektrowerkzeug für die jeweiligen Arbeiten. Durch das passende Elektrowerkzeug lassen sich die Arbeiten besser und sicherer in dem jeweils vorgesehenen Tempo erledigen.
- Verwenden Sie das Elektrowerkzeug nicht, wenn es sich mit dem Schalter weder ein- noch ausschalten lässt. Ein Elektrowerkzeug, das sich über den Schalter nicht betätigen lässt, ist gefährlich und muss repariert werden.
- Entfernen Sie den Akku, sofern abnehmbar, von dem Elektrowerkzeug und/oder deaktivieren Sie den Akku mit eventuell vorhandenen Vorrichtungen, bevor Sie eingeklemmtes Schnittgut entfernen, Einstellungen vornehmen, Zubehör auswechseln, das Elektrowerkzeug reinigen oder lagern. Durch entsprechende Sicherheitsvorkehrungen verringert sich die Gefahr eines versehentlichen Geräteanlaufs.
- Bewahren Sie nicht benutzte Elektrowerkzeuge außerhalb der Reichweite von Kindern auf und verbieten Sie Personen die Gerätebenutzung, die das Elektrowerkzeug oder diese Anweisungen nicht kennen. In den Händen nicht eingewiesener Benutzer stellen Elektrowerkzeuge eine große Gefahr dar.

- **Warten Sie Elektrowerkzeuge und Zubehörteile. Achten Sie auf falsch ausgerichtete oder fest sitzende bewegliche Teile, Bruchstellen und sonstige Umstände, die die Funktion des Elektrowerkzeuges beeinträchtigen können. Lassen Sie beschädigte Elektrowerkzeuge reparieren, bevor Sie sie wieder einsetzen.** Viele Unfälle entstehen durch schlecht gewartete Elektrowerkzeuge und Zubehörteile.
- **Halten Sie Schneidwerkzeuge scharf und sauber.** Sachgemäß gewartete Schneidwerkzeuge mit scharfen Schneiden neigen weniger zum Festfahren und sind leichter zu kontrollieren.
- **Benutzen Sie das Elektrowerkzeug, Zubehör, Bits usw. gemäß diesen Anweisungen und berücksichtigen Sie dabei die Arbeitsbedingungen und die auszuführenden Arbeiten.** Die Verwendung des Elektrowerkzeugs für Aufgaben, die von seinem bestimmungsgemäßen Zweck abweichen, können zu gefährlichen Situationen führen.
- **Halten Sie die Griffe und Griffflächen trocken, sauber und frei von Öl und Fett.** Rutschige Griffe und Griffflächen beeinträchtigen die sichere Handhabung des Werkzeugs und führen in unerwarteten Situationen zum Verlust der Kontrolle über das Werkzeug.

BENUTZUNG UND PFLEGE VON AKKUGERÄTEN

- **Laden Sie den Akku nur mit dem vom Hersteller vorgegebenen Ladegerät auf.** Ein Ladegerät, das für einen bestimmten Akkutyp geeignet ist, kann bei der Benutzung eines anderen Akkus zu einer Brandgefahr werden.
- **Benutzen Sie für die Elektrowerkzeuge nur die jeweils zugehörigen Akkus.** Durch die Verwendung anderer Akkus besteht Verletzungs- und Brandgefahr.
- **Wenn der Akku nicht benutzt wird, halten Sie ihn von anderen metallischen Gegenständen fern, wie etwa Büroklammern, Münzen, Schlüssel, Nägel, Schrauben oder anderen kleinen Metallgegenständen, die eine Verbindung zwischen den Polen herstellen können.** Das Kurzschließen der Pole kann Verbrennungen oder Brände verursachen.
- **Bei unsachgemäßer Anwendung kann Flüssigkeit aus dem Akku austreten; Kontakt vermeiden. Falls Sie versehentlich mit Akkusäure in Berührung gekommen sind, spülen Sie mit Wasser. Falls Akkusäure in die Augen geraten ist, suchen Sie zudem einen Arzt auf.** Aus dem Akku austretende Flüssigkeit kann Reizungen oder Verätzungen verursachen.
- **Benutzen Sie keinen Akku oder ein Werkzeug, das beschädigt oder umgebaut wurde.** Beschädigte oder umgebaute Akkus können sich unvorhergesehen

- verhalten, wodurch möglicherweise ein Brand, eine Explosion oder Verletzung verursacht wird.
- **Akkus oder Werkzeuge vor Feuer oder extremen Temperaturen schützen.** Brände oder Temperaturen über 100 °C können eine Explosion verursachen.
- **Befolgen Sie alle Ladeanweisungen und laden Sie den Akku oder das Werkzeug nicht außerhalb des Temperaturbereichs auf, der in der Anleitung angegeben ist.** Das unsachgemäße Aufladen oder Laden außerhalb des angegebenen Temperaturbereichs kann den Akku beschädigen und die Brandgefahr erhöhen.

SONSTIGE SICHERHEITSHINWEISE

Schulung

- Lesen Sie die Anweisungen aufmerksam. Machen Sie sich mit den Bedienelementen und der richtigen Handhabung des Gerätes vertraut.
- Kindern sowie allen Personen, denen die vorliegenden Anweisungen nicht bekannt sind, muss die Nutzung des Geräts untersagt werden. Für das Mindestalter des Benutzers gelten unter Umständen örtliche Vorschriften.
- Betreiben Sie die Bodenfräse nie, solange sich noch Personen, insbesondere Kinder oder Haustiere in der Nähe aufhalten.
- Beachten Sie, dass für Unfälle, Personen- oder Sachschäden Dritter der Bediener oder Nutzer des Geräts verantwortlich ist.

Vorbereitung

- Tragen Sie bei der Arbeit immer festes Schuhwerk und lange Hosen. Setzen Sie das Gerät nicht in Betrieb, wenn Sie barfuß sind oder offene Sandalen tragen.
- Untersuchen Sie gründlich den Bereich, in dem Sie das Gerät einsetzen möchten, und entfernen Sie alle Fremdkörper, die von der Maschine weggeschleudert werden können.
- Kontrollieren Sie das Gerät optisch vor jeder Inbetriebnahme auf Abnutzung oder Beschädigung. Tauschen Sie abgenutzte oder beschädigte Elemente und Schrauben immer komplett im Satz aus, um die Auswuchtung beizubehalten.

Bedienung

- Nutzen Sie das Gerät nicht in engen Räumen, wo sich gefährliche Kohlenmonoxidämpfe sammeln können.
- Arbeiten Sie nur bei Tageslicht oder gutem künstlichem Licht.
- An Hängen immer auf einen festen Stand achten.
- Rennen Sie nicht mit der Maschine, sondern gehen Sie.

- Arbeiten Sie bei einer Fräse auf Rädern immer quer zum Hang und niemals auf- und abwärts.
- Seien Sie besonders vorsichtig, wenn Sie an Hängen die Richtung ändern.
- Arbeiten Sie nicht an übermäßig steilen Hängen.
- Seien Sie besonders vorsichtig, wenn Sie rückwärts gehen oder das Gerät zu sich heran ziehen.
- Ändern Sie die Drehzahleinstellungen des Motors nicht und überdrehen Sie den Motor nicht.
- Starten Sie den Motor immer achtsam nach Herstelleranleitung. Die Füße müssen stets den Sicherheitsabstand einhalten.
- Bringen Sie Hände oder Füße nicht in die Nähe oder unter die rotierenden Teile.
- Tragen oder heben Sie das Gerät niemals an, während der Motor läuft.

BENUTZUNG AN EINEM HANG:

Hänge sind eine der Hauptursachen für Unfälle durch Ausrutschen und Stürzen, die zu schweren Verletzungen führen können. An Hängen immer auf einen festen Stand achten. Die Arbeit an Hängen erfordert besondere Vorsicht. Wenn Sie ein ungutes Gefühl an einem Hang haben, bearbeiten Sie ihn nicht.

- Achten Sie auf Löcher, Furchen, Steine, verdeckte Gegenstände oder Bodenwellen, die Sie zum Ausrutschen oder Stolpern bringen können. Hindernisse können von hohem Gras verdeckt werden..

REPARATUREN

- Lassen Sie Ihr Elektrowerkzeug von einer qualifizierten Fachkraft und nur unter Verwendung identischer Ersatzteile reparieren. Nur so kann für die Sicherheit des Elektrowerkzeugs gesorgt werden.
- Reparieren Sie unter keinen Umständen beschädigte Akkus. Die Reparatur von Akkus sollte ausschließlich von dem Hersteller oder autorisierten Reparaturwerkstätten vorgenommen werden.

⚠️ WARNUNG: Lesen Sie alle Sicherheitshinweise, Anweisungen, Abbildungen und Spezifikationen, die diesem Elektrowerkzeug beiliegen. Die Nichtbeachtung der unten aufgeführten Anweisungen kann zu Stromschlägen, Feuer und/oder schweren Verletzungen führen. Bewahren Sie alle Warn- und Bedienungshinweise für Nachschlagezwecke auf.

- Nur mit akkus und ladegeräten verwenden, die in abb. A aufgeführt sind.

HEBEN SIE DIESE ANLEITUNG AUF

TECHNISCHE DATEN

Frästrommeldurchmesser	250mm	
Frässhneise	560mm	
Empfohlene Betriebstemperatur	-15°C -40°C	
Empfohlene Lagertemperatur	-20°C-70°C	
Gewicht (einschließlich Schutzhaube)	5,05 kg	
Gemessener Schallleistungspegel L_{WA}	91,4 dB(A) K=2,02 dB(A)	
Schalldruckpegel am Ohr des Bedieners L_{PA}	82,8 dB(A) K=2,5 dB(A)	
Garantierter Schallleistungspegel L_{WA} (gemessen nach 2000/14/EC)	93 dB(A)	
Vibrationswert a_h	Vorderer Haltegriff	0,46 m/s ² K= 1,5 m/s ²
	Hinterer Griff	1,43 m/s ² K= 1,5 m/s ²

- Die obigen Kennwerte wurden an einem Kombimotor vom Typ PH1400E getestet und gemessen.
- Der angegebene Vibrationsgesamtwert wurde nach einem Standard-Prüfverfahren gemessen und kann zum Vergleich mit einem anderen Werkzeug herangezogen werden.
- Der angegebene Vibrationsgesamtwert kann auch zur vorläufigen Risikobewertung herangezogen werden.

HINWEIS: Die beim Einsatz des Elektrowerkzeugs entstehenden Istvibrationen können von dem angegebenen Wert abweichen. Zum Schutz des Benutzers sollten Handschuhe und ein Gehörschutz während des Geräteeinsatzes getragen werden.

PACKLISTE

BEZEICHNUNG DES TEILS	MENGE
Bodenfräse-Aufsatz	1
Fräser	2
Antriebsachse	2
Schutzhaube (mit Schraube)	1
Innensechskantschlüssel	1
Steckbolzen	2
Schnellverschluss	2
Bedienungsanleitung	1

BESCHREIBUNG

AUFBAU DES BODENFRÄSE-AUFSATZES (Abb. A)

1. Schutzkappe
2. Schaft des Bodenfräse-Aufsatzes
3. Schutzhaube
4. Fräser
5. Getriebe
6. Steckbolzen
7. Innensechskantschlüssel

MONTAGE

⚠️ WARNUNG: Wenn irgendwelche Teile beschädigt sind oder fehlen, verwenden Sie das Produkt nicht, bis alle Teile ersetzt worden sind. Die Verwendung dieses Produkts mit beschädigten oder fehlenden Teilen kann zu schweren Verletzungen führen.

⚠️ WARNUNG: Versuchen Sie nicht, dieses Produkt zu verändern oder Zubehörteile zu verwenden, die für den Einsatz mit dieser Maschine nicht empfohlen werden. Jegliche Änderung oder falsche Anwendung dieses Geräts gilt als Zweckentfremdung und kann sehr riskant sein und zu möglichen schweren Körperverletzungen führen.

⚠️ WARNUNG: Um einen unbeabsichtigten Geräteanlauf zu verhindern, muss der Akkustecker immer zuerst aus dem Anschluss gezogen werden.

⚠️ WARNUNG: Die Bodenfräse erst nach vollständiger Montage mit dem Kombimotor verbinden. Die Nichtbeachtung dieser Anweisung kann zu einem unabsichtlichen Anlauf des Geräts und zu schweren Verletzungen führen.

SCHUTZHAUBE MONTIEREN

⚠️ WARNUNG: Die Schutzhaube vor dem Anschließen des Bodenfräse-Aufsatzes an den Kombimotor montieren

1. Mit dem beiliegenden Innensechskantschlüssel (Abb. B) die Schraube an der Schutzhaube abmontieren.
2. Den Bodenfräser am Schaft hochheben und die Schutzkappe vom Schaft abnehmen.
3. Die Aussparung in der Schutzhaube mit dem Steg am Schaftende fluchten lassen und die Haube auf den Schaft schieben, bis die Bohrungen in der Haube und im Schaft in der Flucht sind (Abb. C & D).

Teilebezeichnung in Abb. C und D:

C-1	Aussparung
C-2	Steg
D-1	Schraube

4. Zum Befestigen der Schutzhaube mit dem beiliegenden Innensechskantschlüssel die Schraube im Uhrzeigersinn festziehen.

FRÄSER MONTIEREN

1. Die Antriebsachse auf die angetriebene Welle stecken (Abb. E).

Teilebezeichnung in Abb. E:

E-1	Angetriebene Welle
E-2	Antriebsachse

2. Um die Antriebsachse an der angetriebenen Welle zu befestigen, den Schnellverschluss in die Aufnahme einführen.

HINWEIS: Der Schnellverschluss muss korrekt eingesetzt werden (Abb. F).

Teilebezeichnung in Abb. F siehe unten:

F-1	Schnellverschluss
F-2	Aufnahme

3. Zum Montieren der anderen Antriebsachse dieselben Schritte wiederholen.
4. Den Fräser auf die Antriebsachse schieben (Abb. G).

Teilebezeichnung in Abb. G unten:

G-1	Fräser
G-2	Antriebsachse

5. Zum Befestigen des Fräasers an der Antriebsachse den Steckbolzen in die Aufnahme einführen (Abb. H).

Teilebezeichnung in Abb. H siehe unten:

H-1	Steckbolzen
-----	-------------

6. Zum Montieren des anderen Fräasers dieselben Schritte wiederholen.

BODENFRÄSE-AUFSATZ AM KOMBIMOTOR ANBRINGEN

⚠️ WARNUNG: Anbauwerkzeuge dürfen in keinem Fall bei laufendem Kombimotor oder mit eingesetztem Akku montiert oder eingestellt werden. Der Motor muss ausgeschaltet und der Akku abgenommen werden, da sonst die Gefahr schwerer Verletzungen besteht.

Dieser Bodenfräse-Aufsatz ist für den Einsatz am EGO Kombimotor PH1400E vorgesehen.

1. Motor ausschalten und Akku abnehmen.
2. Die Flügelmutter an der Kupplung zum Kombimotor lösen.

3. Wenn die Schutzkappe auf dem Verbindungsschaft des Aufsatzes steckt, Kappe abnehmen und zur späteren Verwendung gut aufbewahren.

Den Pfeil am Schaft des Bodenfräse-Aufsatzes mit dem Pfeil an der Kupplung fluchten lassen (Abb. I) und den Schaft der Bodenfräse in die Kupplung einführen, bis ein Klickgeräusch ertönt (Abb. J).

Teilebezeichnung in Abb. I siehe unten:

I-1	Schaftentriegelung
I-2	Pfeil an der Kupplung
I-3	Flügelmutter
I-4	Pfeil am Aufsatzschaft
I-5	Rote Linie

Beschreibung der Teile in Abb. J siehe unten:

J-1	Rote Linie
-----	------------

4. Leicht am Schaft des Bodenfräse-Aufsatzes ziehen, um den festen Sitz in der Kupplung zu prüfen. Bei lockerem Sitz den Aufsatzschaft wieder zurückziehen und erneut einführen, bis das Klickgeräusch deutlich auf das feste Einrasten hinweist.
5. Die Flügelmutter festziehen.

⚠️ WARNUNG: Vor dem Starten des Geräts prüfen, ob die Flügelmutter an der Kupplung fest angezogen ist. Um erhebliche Verletzungen zu vermeiden, sollte dies regelmäßig überprüft werden.

FRÄSERAUFSATZ VOM KOMBIMOTOR ABNEHMEN

1. Motor ausschalten und Akku abnehmen.
2. Die Flügelmutter lösen.
3. Die Schaftentriegelung gedrückt halten und den Schaft des Bodenfräse-Aufsatzes aus der Kupplung ziehen oder drehen, um den Aufsatz vom Kombimotor zu lösen.

BEDIENUNG

⚠️ WARNUNG: Auch wenn Sie sich mit dem Gerät auskennen, sollten Sie sich nicht zu einer gewissen Nachlässigkeit verleiten lassen. Denken Sie daran, dass ein kurzer Moment der Unachtsamkeit zu ernsthaften Verletzungen führen kann.

⚠️ WARNUNG: Tragen Sie immer einen Augenschutz und einen Gehörschutz. Andernfalls besteht die Gefahr, dass Gegenstände in Ihre Augen geschleudert werden oder andere schwere Verletzungen auftreten.

⚠️ WARNUNG: Verwenden Sie keine Anbauwerkzeuge oder Zubehörteile, die nicht vom Hersteller dieses

Produkts empfohlen worden sind. Der Gebrauch von nicht empfohlenen Aufsätzen oder Zubehör kann zu schweren Verletzungen führen.

ANWENDUNGEN

Das Produkt kann für folgende Zwecke eingesetzt werden:

- Flächen und Wege säubern, auch unebene Oberflächen mit Fugen.
- Fußwege/Beton-/Asphalteinfahrten, Gehwege und Höfe reinigen.

⚠️ WARNUNG: Tragen Sie geeignete Kleidung, um das Verletzungsrisiko bei der Benutzung dieses Geräts zu reduzieren. Tragen Sie keine weite Kleidung oder Schmuck. Tragen Sie Augenschutz. Tragen Sie eine robuste lange Hose, Stiefel und Handschuhe. Tragen Sie keine kurze Hose oder Sandalen und gehen Sie nicht barfuß.

Wenn der Untergrund trocken gereinigt werden soll, die Fläche mit Wasser einsprühen, um die Staubeentwicklung zu verringern.

Immer mit der Bodenfräse voraus arbeiten. Die Bodenfräse mit der einen Hand am hinteren Griff und mit der anderen Hand am vorderen Haltegriff festhalten. Das Werkzeug beim Betrieb mit beiden Händen gut festhalten.

Die Bodenfräse in einem flachen Winkel halten und führen. Ist der Winkel beim Führen der Bodenfräse zu spitz, neigt das Gerät dazu, den Bediener zurückzustoßen.

Den festen Griff nicht nachlassen und mit beiden Beinen das Gleichgewicht halten (Abb. K).

Umhergeschleudertes Material kann den Benutzer oder Umstehende verletzen. Um die Verletzungsgefahr zu reduzieren, ist es wichtig, die folgenden Vorsichtsmaßnahmen zu befolgen:

- Beim Fräsen den Aufsatz immer mit beiden Händen festhalten. An beiden Griffen gut festhalten.
- Zuerst die Bodenfräse in den Arbeitsbereich transportieren. Erst danach das Gerät mit niedriger Geschwindigkeit starten.
- Um die Verletzungsgefahren durch Kontrollverlust zu mindern, den Fräseraufsatz in einem flachen Winkel halten und führen. Ist der Winkel beim Führen der Bodenfräse zu spitz, neigt das Gerät dazu, den Bediener zurückzustoßen.

Vor jedem Gebrauch auf beschädigte/abgenutzte Teile prüfen

Den Fräser, die Schutzhaube, den vorderen Haltegriff und die Antriebsachse überprüfen. Eventuell gerissene, verzogene, verbogene oder anders beschädigte Teile austauschen.

Die Bodenfräse nach jedem Gebrauch reinigen

Anweisungen zum Reinigen stehen im Kapitel Wartung.

WERKZEUG STARTEN/STOPPEN

Siehe das Kapitel „STARTEN/STOPPEN DES KOMBIMOTORS“ in der Betriebsanleitung des Kombimotors PH1400E.

WARTUNG

⚠️ WARNUNG: Bei der Wartung nur identische Ersatzteile verwenden. Die Verwendung anderer Teile kann Unfälle und Schäden am Gerät hervorrufen. Um die Sicherheit und Zuverlässigkeit zu gewährleisten, sollten alle Reparaturen nur von qualifizierten Servicetechnikern durchgeführt werden.

⚠️ WARNUNG: Akkubetriebene Werkzeuge müssen nicht an eine Steckdose angeschlossen werden; sie sind daher immer einsatzbereit. Um schwere Verletzungen zu vermeiden, seien Sie beim Warten, Reparieren oder Auswechseln des Schneidaufsatzes oder anderer Aufsätze besonders vorsichtig und treffen Sie besondere Sicherheitsvorkehrungen.

⚠️ WARNUNG: Um ernsthafte Verletzungen zu vermeiden, muss der Akku vom Kombimotor abgenommen werden. Anschließend warten, bis die Fräser zum Stillstand gekommen sind, bevor das Gerät gewartet oder gereinigt wird oder ein Geräteaufsatz getauscht wird.

ALLGEMEINE WARTUNG

⚠️ WARNUNG: Immer darauf achten, dass keine Bremsflüssigkeit, Benzin, Mineralöl-Erzeugnisse, durchdringende Öle usw. mit den Kunststoffteilen in Berührung kommen. Die Chemikalien können die Kunststoffe angreifen, mechanisch schwächen oder zerstören, was zu schweren Verletzungen führen kann.

⚠️ WARNUNG: Beim Reinigen der Bodenfräse NICHT in Wasser oder andere Flüssigkeiten tauchen. Das Gerät nicht mit einem Hochdruckreiniger reinigen. Der harte Wasserstrahl kann Teile des Geräts beschädigen.

WARTUNG DER BODENFRÄSE

- Die Bodenfräse regelmäßig reinigen.
- Wenn Fräser aufgrund von Abnutzung ausgetauscht werden müssen, immer beide Fräser tauschen, um eine optimale Leistung zu erhalten.

Alle Wartungsarbeiten an der Bodenfräse, die nicht ausdrücklich in diesen Wartungsanweisungen genannt werden, sollten von autorisiertem Kundendienstpersonal ausgeführt werden.

FRÄSER AUSTAUSCHEN

⚠️ WARNUNG: Nach längerem Gebrauch kann ein beschädigter Fräser in viele Teile zerbrechen und zu einem gefährlichen Projektil werden. Umhergeschleuderte Gegenstände können schwere Verletzungen verursachen. Regelmäßig überprüfen, die Bodenfräse nicht mit abgenutzten oder beschädigten Teilen einsetzen.

Zum Abnehmen (Abb. L)

1. Den Steckbolzen aus der Antriebsachse ziehen.
2. Den Fräser mitsamt Schutzhaube von der Antriebsachse abziehen.
3. Wenn die Antriebsachse beschädigt ist, den Schnellverschluss aus der Bohrung der Antriebsachse ziehen und die Antriebsachse von der angetriebenen Welle abziehen (Abb. M).
4. Wenn die Abdeckplatte beschädigt ist, von der Bodenfräse abmontieren und auswechseln.
5. Zum Abmontieren des anderen Fräsers dieselben Schritte wiederholen.

Teilebezeichnung in Abb. L siehe unten:

L-1	Angetriebene Welle	L-4	Steckbolzen
L-2	Schnellverschluss	L-5	Abdeckplatte
L-3	Fräser	L-6	Antriebsachse

Zum Montieren

1. Die Antriebsachse in die angetriebene Welle einsetzen und den Schnellverschluss in die Bohrung der Antriebsachse einsetzen (siehe Abb. F).
2. Den Steg an der Abdeckplatte mit der Öffnung am Fräser fluchten lassen und die Abdeckplatte montieren (Abb. N).

Teilebezeichnung in Abb. N siehe unten:

N-1	Bohrung
N-2	Steg

3. Den Fräser auf die Antriebsachse schieben (siehe Abb. G).
4. Den Steckbolzen in die Öffnung am Ende der Antriebsachse einführen und flach umbiegen.
5. Zum Montieren des anderen Fräsers dieselben Schritte wiederholen.

⚠️ WARNUNG: Immer beide Fräser gleichzeitig auswechseln.

REINIGUNG DES GERÄTES

- Akku abnehmen.
- Wurzelstücke, Erdklumpen oder Pflanzenteile von den Fräsern, der Schutzhaube oder dem Getriebe entfernen. Für eine gründliche Reinigung die Fräser und die Haube abmontieren und gründlich abwaschen. Ausführliche Schritte zum Auswechseln von Teilen stehen oben im Kapitel „FRÄSER AUSTAUSCHEN“.
- Die Lüftungsöffnungen müssen frei von Blockaden gehalten werden.

AUFBEWAHREN DES GERÄTES

- Den Akku aus dem Werkzeug nehmen.
- Das Werkzeug gründlich reinigen und die Fräser überprüfen.
- Den Bodenfräse-Aufsatz vom Kombimotor abmontieren und den Aufsatzschaft mit der Schutzkappe verschließen, damit kein Schmutz in die Kupplung gerät.
- Das Gerät an einem trockenen, gut belüfteten Ort aufbewahren, der sich abschließen lässt oder hoch gelegen und für Kinder unerreichbar ist. Das Gerät nicht auf oder neben Düngemitteln, Benzin oder anderen Chemikalien abstellen.

Schutz der Umwelt



Elektrogeräte, Ladegeräte und Batterien/Akkus dürfen nicht im Hausmüll entsorgt werden! Im Einklang mit der europäischen Richtlinie 2012/19/EG müssen elektrische und elektronische Altgeräte separat gesammelt werden. Dasselbe gilt auch für defekte oder verbrauchte Akkus/Batterien nach der europäischen Richtlinie 2006/66/EG. Wenn elektrische Geräte auf Deponien oder Schutthalden entsorgt werden, können gefährliche Stoffe in das Grundwasser sickern und in die Nahrungskette gelangen. Dadurch werden Ihre Gesundheit und Ihr Wohlbefinden beeinträchtigt.

FEHLERSUCHE

DE

PROBLEM	URSACHE	LÖSUNG
Bodenfräse lässt sich nicht starten.	<ul style="list-style-type: none"> ■ Der Akku ist nicht richtig am Kombimotor angebracht. ■ Kein elektrischer Kontakt zwischen Kombimotor und Akku. ■ Der Akku ist leer. ■ Der Hebel zum Entriegeln und der Auslöser wurden nicht gleichzeitig am Kombimotor gedrückt. ■ Gerät startet trotzdem nicht. 	<ul style="list-style-type: none"> ■ Akku in den Kombimotor einsetzen. ■ Akku abnehmen, Kontakte überprüfen und so wieder einsetzen, dass er fest einrastet. ■ Akku mit dem in dieser Anleitung genannten EGO-Ladegerät aufladen. ■ Hebel zum Entriegeln gedrückt halten und dann den Auslöser drücken, um das Werkzeug einzuschalten. ■ Wenden Sie sich an den EGO-Kundendienst.
Bodenfräse ist offensichtlich beschädigt.	<ul style="list-style-type: none"> ■ Ungewöhnliche Schäden beim Transport oder Einsatz. 	<ul style="list-style-type: none"> ■ Wenden Sie sich an den EGO-Kundendienst.
Bodenfräse stellt plötzlich den Betrieb ein.	<ul style="list-style-type: none"> ■ Der Motor ist überlastet. ■ Akku oder Kombimotor sind zu heiß. ■ Akku ist nicht mit dem Werkzeug verbunden. ■ Der Akku ist leer. ■ Gerät startet trotzdem nicht. 	<ul style="list-style-type: none"> ■ Der Motor läuft wieder an, nachdem sich die Belastung verringert hat. Beim Dauereinsatz muss die Belastung der Bodenfräse verringert werden. ■ Den Akku bzw. Kombimotor unter 67°C abkühlen lassen. ■ Akku wieder anbringen. ■ Akku mit dem in dieser Anleitung genannten EGO-Ladegerät aufladen. ■ Wenden Sie sich an den EGO-Kundendienst.

GARANTIE

EGO-GARANTIEBEDINGUNGEN

Sämtliche EGO Garantiebedingungen finden Sie auf der Website egopowerplus.com.

LISEZ TOUTES LES INSTRUCTIONS!



LIRE LA NOTICE D'UTILISATION

FR

⚠ Risques résiduels ! Les personnes portant des appareils électroniques, par exemple des stimulateurs cardiaques, doivent consulter leur(s) médecin(s) avant d'utiliser ce produit. L'utilisation d'un équipement électrique près d'un stimulateur cardiaque peut provoquer des interférences ou la panne du stimulateur cardiaque.

⚠ AVERTISSEMENT : Pour garantir la sécurité et la fiabilité, toutes les réparations et tous les changements de pièce doivent être effectués par un réparateur qualifié.

SYMBOLE DE SECURITE

L'objectif des symboles de sécurité est d'attirer votre attention sur des dangers potentiels. Les symboles de sécurité et les explications les accompagnant doivent être lus attentivement et compris. Les symboles de mise en garde ne permettent pas par eux-mêmes d'éliminer les dangers. Les consignes et mises en garde ne se substituent pas à des mesures de prévention appropriées des accidents.

⚠ AVERTISSEMENT: Lisez et comprenez impérativement toutes les consignes de sécurité de ce manuel d'utilisation, y compris les symboles de mise en garde de sécurité tels que « **DANGER** », « **AVERTISSEMENT** » et « **ATTENTION** » avant d'utiliser cet outil. Le non respect de toutes les instructions énumérées ci-dessous peut entraîner un choc électrique, un incendie et / ou des blessures graves.

SIGNIFICATION DES SYMBOLES

⚠ SYMBOLE DE MISE EN GARDE DE SÉCURITÉ :

Indique un **DANGER**, un **AVERTISSEMENT** ou une **MISE EN GARDE**, peut être utilisé en conjonction avec d'autres symboles ou pictogrammes.



⚠ AVERTISSEMENT : L'utilisation d'un outil électrique peut provoquer la projection d'objets étrangers dans vos yeux, ce qui peut entraîner des lésions oculaires graves. Avant de commencer à utiliser l'outil électrique, portez toujours un masque de sécurité ou des lunettes de sécurité avec des protections latérales et une visière complète si nécessaire. Nous vous recommandons de porter un Masque de Sécurité à Vision Panoramique par-dessus des lunettes de vue ou des lunettes de sécurité standards avec des protections latérales.

CONSIGNES DE SÉCURITÉ

Cette page décrit des symboles de sécurité pouvant être présents sur ce produit. Lisez, comprenez et respectez toutes les instructions présentes sur l'outil avant d'essayer de l'assembler et de l'utiliser.

	Alerte de sécurité	Indique un risque potentiel de blessure corporelle.
	Lire la notice d'utilisation	Pour réduire le risque de blessures, l'utilisateur doit lire et comprendre le manuel d'utilisation avant d'utiliser ce produit.
	Porter une protection oculaire	Portez toujours un masque de sécurité ou des lunettes de sécurité avec boucliers latéraux et un masque facial intégral lors de l'utilisation de ce produit.
	Maintenir les Autres Personnes Éloignées	Tenez les passants à distance sûre
	Porter des gants protecteurs.	Protégez vos mains avec des gants pendant la manipulation des lames. Des gants antidérapants très résistants améliorent votre prise en main et protègent vos mains.
	Porter des chaussures de sécurité.	Portez des chaussures de sécurité antidérapantes lorsque vous utilisez cet équipement.
	Ricochet	Les objets projetés peuvent ricocher et causer des blessures ou des dommages matériels.
	Ne pas exposer à la pluie.	N'utilisez pas ce produit sous la pluie et ne le laissez pas à l'extérieur quand il pleut.
	CE	Ce produit est conforme aux directives CE applicables.
	DEEE	Les produits électriques usagés ne doivent pas être jetés avec les ordures ménagères. Apportez-les dans un centre de recyclage agréé.
	Bruit	Niveau de puissance acoustique garanti. Émission de bruit dans l'environnement conformément à la directive CE.
V	Volts	Tension
mm	Millimètre	Longueur ou taille
kg	Kilogramme	Poids

CONSIGNES DE SÉCURITÉ GÉNÉRALES POUR L'OUTIL ÉLECTRIQUE

⚠ AVERTISSEMENT! Lisez toutes les consignes de sécurité, les instructions, les illustrations et les spécifications de sécurité fournies avec cet outil électrique. Le non-respect des consignes figurant ci-dessous peut provoquer un choc électrique, un incendie et/ou des blessures graves.

Conservez tous les consignes de sécurité et toutes les instructions pour consultation ultérieure.

SÉCURITÉ DE L'AIRE DE TRAVAIL

- **Maintenez l'aire de travail propre et bien éclairée.** Les endroits sombres ou désordonnés augmentent les risques d'accident.
- **N'utilisez pas les outils électriques dans des atmosphères explosives, par exemple en présence de liquides, gaz ou poussières inflammables.** Les outils électriques génèrent des étincelles pouvant enflammer les poussières et les vapeurs.
- **Veillez à ce que les enfants et les autres personnes restent éloignés pendant l'utilisation d'un outil électrique.** Un moment d'inattention peut vous faire perdre le contrôle de l'outil.

SÉCURITÉ ÉLECTRIQUE

- **N'exposez pas les outils électriques à la pluie ou à un environnement mouillé.** Si de l'eau pénètre dans un outil électrique, cela accroît le risque de choc électrique.

SÉCURITÉ DES PERSONNES

- **Restez vigilant, soyez attentif à ce que vous faites et faites preuve de bon sens lors de l'utilisation d'un outil électrique. N'utilisez pas un outil électrique quand vous êtes fatigué ou sous l'emprise de l'alcool, de stupéfiants ou de médicaments.** Un moment d'inattention pendant l'utilisation des outils électriques peut provoquer des blessures corporelles graves.
- **Utilisez toujours des équipements de protection individuelle.** Des équipements de protection individuelle, par exemple une protection oculaire, un masque antipoussière, des chaussures de sécurité antidérapantes, un casque et/ou une protection auditive utilisés pour des conditions appropriées, réduiront les blessures corporelles.
- **Évitez les démarrages accidentels. Vérifiez que l'interrupteur marche/arrêt est dans la position arrêt avant de brancher l'outil dans une prise électrique et/ou une batterie, de le saisir ou de le transporter.** Porter les outils électriques avec le doigt sur leur interrupteur ou les brancher dans une alimentation électrique alors que leur interrupteur est dans la position marche augmente le risque d'accident.

- **Retirez toutes les clés de réglage et de serrage avant de mettre l'outil électrique en marche.** Une clé de réglage ou de serrage laissée sur une pièce rotative de l'outil électrique peut provoquer des blessures corporelles.
- **N'essayez pas de travailler des endroits difficiles à atteindre. Conservez en permanence des appuis des pieds solides et un bon équilibre.** Cela permet un meilleur contrôle de l'outil électrique en cas de situations inattendues.
- **Portez une tenue adaptée. Ne portez pas de vêtements amples ni de bijoux. Maintenez vos cheveux, vêtements et gants éloignés des pièces mobiles.** Les vêtements amples, les bijoux et les cheveux longs peuvent se prendre dans les pièces mobiles.
- **Si un outil est conçu pour être utilisé avec des dispositifs d'extraction et de récupération des poussières, veillez à ce que ces dispositifs soient raccordés et correctement utilisés.** L'utilisation de dispositifs anti-poussières permet de réduire les dangers liés aux poussières.
- **Veillez à ne pas devenir trop sûr de vous et ne cessez pas de respecter les principes de sécurité même si vous vous sentez familiarisé à l'utilisation de l'outil.** La négligence peut provoquer des blessures graves en une fraction de seconde.

UTILISATION ET ENTRETIEN DE L'OUTIL ÉLECTRIQUE

- **Ne forcez pas l'outil électrique. Utilisez l'outil électrique approprié au travail que vous voulez effectuer.** L'utilisation d'un outil approprié au travail à effectuer permet d'effectuer ce travail plus efficacement, avec une sécurité accrue et au rythme pour lequel l'outil a été conçu.
- **N'utilisez pas l'outil électrique si son interrupteur marche/arrêt ne permet pas de l'allumer et de l'éteindre.** Tout outil électrique qui ne peut pas être contrôlé par son interrupteur marche/arrêt est dangereux et doit être réparé.
- **Retirez la batterie de l'outil électrique, si elle est amovible, et/ou activez tout dispositif de désactivation de la batterie avant d'éliminer les bourrages, de procéder aux réglages, de changer les accessoires, de nettoyer ou de ranger les outils électriques.** De telles mesures de sécurité préventives réduisent le risque de démarrage accidentel de l'outil électrique.
- **Rangez les outils électriques non utilisés hors de portée des enfants. N'autorisez pas les personnes non familiarisées avec l'outil électrique ou ce manuel d'utilisation l'utiliser.** Les outils électriques sont dangereux dans les mains de personnes inexpérimentées.

- **Entretenez les outils électriques et les accessoires. Inspectez-les pour vérifier qu'aucune pièce mobile n'est grippée ou mal alignée, qu'aucune pièce n'est cassée, et pour tout autre problème qui pourrait affecter leur fonctionnement. Si un outil électrique est endommagé, il doit être réparé avant d'être réutilisé.** De nombreux accidents sont dus à des outils électriques et des accessoires mal entretenus.
- **Veillez à ce que les accessoires de coupe restent affûtés et propres.** Des accessoires de coupe bien entretenus et bien affûtés risquent moins de se coincer et sont plus faciles à contrôler.
- **Utilisez l'outil électrique, ses accessoires, mâches/embouts et toutes les autres pièces conformément aux présentes instructions, en prenant en compte les conditions d'utilisation et le travail à effectuer.** Utiliser l'outil électrique à d'autres finalités que celles pour lesquelles il a été conçu peut engendrer des situations dangereuses.
- **Maintenez les poignées et surfaces de préhension propres, sèches et exemptes d'huile et de graisse.** Les poignées et surfaces de préhension glissantes ne permettent pas de tenir et de contrôler l'outil de manière sûre en cas de situations inattendues.

UTILISATION ET ENTRETIEN DE L'OUTIL SUR BATTERIE

- **Rechargez la batterie exclusivement avec le chargeur spécifié par le fabricant.** Un chargeur adapté à un type de batterie en particulier peut présenter un risque d'incendie s'il est utilisé avec une batterie différente.
 - **Utilisez les outils électriques exclusivement avec les batteries spécifiées.** L'utilisation de toute autre batterie peut créer un risque de blessures et d'incendie.
 - **Lorsque la batterie n'est pas utilisée, elle doit être rangée à l'écart de tout objet métallique, tel que les trombones, pièces de monnaie, clés, clous, vis et tous les autres petits objets métalliques pouvant mettre en contact ses bornes.** Mettre en court-circuit les bornes de la batterie peut provoquer des brûlures et un incendie.
 - **Si la batterie est soumise à des conditions d'utilisation excessives, du liquide peut s'en échapper. Évitez tout contact avec ce liquide. En cas de contact accidentel, rincez à grande eau. En cas de contact avec les yeux, vous devez en outre consulter un médecin.** Le liquide qui s'échappe des batteries peut provoquer des irritations et des brûlures.
 - **N'utilisez pas une batterie ou un outil endommagé ou modifié.** Les batteries modifiées ou endommagées peuvent avoir un comportement imprévisible provoquant un incendie, une explosion ou un risque de blessure.
- **N'exposez pas la batterie ou l'outil à des flammes ou à une température excessive.** L'exposition au feu ou à des températures supérieures à 100 °C peut provoquer une explosion.
 - **Respectez toutes les instructions de recharge et ne rechargez pas la batterie ou l'outil hors de la plage de température spécifiée dans les instructions.** La recharge incorrecte ou à des températures hors de la plage spécifiée peut endommager la batterie et accroître le risque d'incendie.

CONSIGNES DE SÉCURITÉ COMPLÉMENTAIRES

Entraînement

- Lisez attentivement le manuel d'utilisation. Familiarisez-vous avec les commandes et l'utilisation correcte de l'outil.
- Ne laissez jamais des enfants ou des personnes non familiarisées avec les présentes instructions utiliser l'outil. Les réglementations locales peuvent restreindre l'âge de l'opérateur.
- N'utilisez jamais l'outil si des personnes, notamment des enfants ou des animaux de compagnie sont à proximité.
- Nous vous rappelons que l'opérateur ou l'utilisateur est responsable en cas d'accidents ou de dangers impliquant d'autres personnes ou leurs biens.

Préparations

- Portez toujours un pantalon long et des chaussures protectrices lorsque vous travaillez avec l'outil. N'utilisez pas l'outil pieds nus ou en portant des sandales ouvertes.
- Inspectez minutieusement la zone où l'outil doit être utilisé et enlevez tout ce qui pourrait être projeté par l'outil.
- Avant utilisation, inspectez toujours l'outil visuellement pour détecter tout signe d'usure ou de dégât. Afin de préserver l'équilibre de l'outil, remplacez toujours les pièces usées ou endommagées et les vis par ensembles complets.

Fonctionnement

- Ne faites pas tourner le moteur dans des espaces confinés où des émanations de monoxyde de carbone pourraient s'accumuler dangereusement.
- Travaillez exclusivement à la lumière du jour ou sous une lumière artificielle suffisante.
- Ayez toujours des appuis des pieds sûrs sur les pentes.
- Utilisez l'appareil en marchant, jamais en courant.
- Si vous utilisez une machine rotative sur roues, travaillez toujours perpendiculairement à la pente, jamais dans le sens de pente que ce soit vers le haut ou vers le bas.

- Faites extrêmement attention en changeant de direction sur les pentes.
- N'utilisez pas l'outil sur des pentes trop raides.
- Faites extrêmement attention quand vous faites demi-tour ou que vous tirez la machine vers vous.
- Ne modifiez pas le réglage du régulateur de vitesse du moteur et ne faites pas tourner le moteur en sursrégime.
- Démarrez le moteur avec précaution en suivant les consignes données par le fabricant et en maintenant vos pieds à l'écart de l'outil.
- Ne placez jamais vos mains ou vos pieds à proximité ou en-dessous des parties rotatives.
- Ne soulevez jamais et ne portez jamais un appareil dont le moteur est en marche.

UTILISATION SUR UNE PENTE :

Les blessures graves causées par des chutes par glissade se produisent souvent dans des pentes. Ayez toujours des appuis des pieds sûrs sur les pentes. Les travaux effectués sur un terrain en pente exigent des précautions supplémentaires. Si vous ne vous sentez pas à l'aise sur une pente, n'utilisez pas l'outil dessus.

- Observez le sol pour éviter les trous, les ornières, les pierres, les objets cachés et les bosses, car ils peuvent vous faire glisser ou trébucher. Des herbes hautes peuvent dissimuler des obstacles.

RÉPARATION

- **Faites réparer votre outil électrique par un réparateur qualifié qui ne doit utiliser que des pièces de rechange identiques.** Cela garantit que l'outil électrique reste sûr.
- **Ne réparez jamais les batteries endommagées.** La réparation des batteries doit toujours être effectuée par le fabricant ou des réparateurs agréés.

⚠ AVERTISSEMENT : Lisez toutes les consignes de sécurité, les instructions, les illustrations et les spécifications de sécurité fournies avec cet outil électrique. Le non-respect des consignes figurant ci-dessous peut provoquer un choc électrique, un incendie et/ou des blessures graves. Conservez tous les consignes de sécurité et toutes les instructions pour consultation ultérieure.

- Utilisez exclusivement les batteries et les chargeurs listes à la fig. A.

CONSERVEZ CES INSTRUCTIONS

SPÉCIFICATIONS

Diamètre du tambour de la débroussailluse	250mm	
Nettoyage de la bande	560mm	
Température d'utilisation recommandée	-15°C -40°C	
Température de stockage recommandée	-20°C-70°C	
Poids (avec le carter)	5,05 kg	
Niveau de puissance acoustique mesuré L_{WA}	91,4 dB(A) K=2,02 dB(A)	
Niveau de pression acoustique au niveau des oreilles de l'opérateur L_{PA}	82,8 dB(A) K=2,5 dB(A)	
Niveau de puissance acoustique garanti L_{WA} (mesuré selon 2000/14/EC)	93 dB(A)	
Niveau de vibration a_h	Poignée auxiliaire avant	0,46 m/s ² K= 1,5 m/s ²
	Poignée arrière	1,43 m/s ² K= 1,5 m/s ²

- Les paramètres ci-dessus ont été testés et mesurés avec le bloc moteur PH1400E.
- La valeur totale des vibrations indiquée a été mesurée selon une procédure conforme à une méthode de test standardisée et peut servir pour comparer différents outils.
- La valeur totale des vibrations déclarée peut également servir pour effectuer une évaluation préliminaire de l'exposition.

REMARQUE : Le niveau de vibrations lors de l'utilisation réelle de l'outil peut être différent de la valeur déclarée totale en fonction de la manière dont l'outil est utilisé ; Afin de protéger l'opérateur, l'utilisateur doit porter des gants et des protecteurs d'oreilles en conditions réelles d'utilisation.

CONTENU DE L'EMBALLAGE

NOM DES PIÈCES	QUANTITY
Accessoire rouleau brosse	1
Rouleau brosse	2
Essieu moteur	2
Carter (avec boulon)	1
Clé Allen	1
Broche d'attelage	2
Broche de verrouillage	2
Manuel d'utilisation	1

FR

DESCRIPTION

DESCRIPTION DE VOTRE ACCESSOIRE ROULEAU

BROSSE (schéma A)

1. Embout
2. Arbre de l'accessoire rouleau brosse
3. Carter
4. Rouleau brosse
5. Boîte de vitesses
6. Broche d'attelage
7. Clé Allen

ASSEMBLAGE

⚠ AVERTISSEMENT: Si une ou plusieurs pièces sont manquantes ou endommagées, n'utilisez pas cet outil tant que toutes les pièces n'ont pas été remplacées. Utiliser cet outil avec des pièces endommagées ou manquantes peut provoquer des blessures corporelles graves.

⚠ AVERTISSEMENT: N'essayez pas de modifier ce produit ni de créer des accessoires non recommandés pour l'usage avec cette machine. De tels modifications et changements constituent un usage impropre et peuvent engendrer des situations dangereuses pouvant provoquer des blessures corporelles graves.

⚠ AVERTISSEMENT: Pour éviter un démarrage accidentel pouvant provoquer des blessures corporelles graves, retirez toujours la batterie de l'outil avant d'assembler une pièce.

⚠ AVERTISSEMENT: Ne raccordez pas l'accessoire rouleau brosse au bloc-moteur tant que l'assemblage n'est pas terminé. Ne pas respecter cette exigence peut provoquer un démarrage accidentel et des blessures corporelles graves.

MONTAGE DU CARTER

⚠ AVERTISSEMENT: Installez le carter avant que l'accessoire rouleau brosse soit connecté au bloc-moteur.

1. Desserrez et retirez le boulon du carter avec la clé Allen fournie (schéma B).
2. Soulevez le manche de l'accessoire rouleau brosse et retirez l'embout du manche.
3. Alignez la fente du carter avec l'embout métallique à l'extrémité du manche, passez le carter à travers le manche jusqu'à ce que les trous de vis du carter et de l'embout métallique soient alignés (schémas C & D).

Schémas C et D Description des pièces, voir ci-dessous :

C-1	Fente
C-2	Nervure
D-1	Boulon

4. Utilisez la clé Allen fournie pour serrer le boulon dans le sens des aiguilles d'une montre et bloquer le carter.

MONTAGE DES ROULEAUX BROSSE

1. Poussez l'essieu moteur sur l'arbre d'entraînement (schéma E).

Schéma E Description des pièces ci-dessous :

E-1	Arbre d'entraînement
E-2	Essieu moteur

2. Pour fixer l'essieu moteur sur l'arbre d'entraînement, insérez la broche de verrouillage dans le trou de fixation.

REMARQUE: La broche de verrouillage doit être installée en position (schéma F).

Schéma F Description des pièces, voir ci-dessous :

F-1	Broche de verrouillage
F-2	Trou de fixation

3. Suivez les mêmes étapes pour monter l'autre essieu moteur.
4. Poussez le rouleau brosse sur l'essieu moteur (schéma G).

Schéma G Description des pièces, voir ci-dessous :

G-1	Rouleau brosse
G-2	Essieu moteur

5. Insérez la broche d'attelage dans le trou à l'extrémité pour fixer le rouleau brosse à l'essieu moteur (schéma H).

Schéma H - Description des pièces ci-dessous :

H-1	Broche d'attelage
-----	-------------------

6. Suivez les mêmes étapes pour monter l'autre essieu moteur.

CONNEXION DE L'ACCESSOIRE ROULEAU BROSSE AU BLOC MOTEUR

⚠ AVERTISSEMENT: N'assemblez jamais et ne réglez jamais aucun accessoire quand le bloc moteur est en fonctionnement ou lorsque la batterie est insérée. Ne pas éteindre le moteur et ne pas retirer la batterie peut provoquer des blessures corporelles graves.

Cet accessoire rouleau brosse est conçu pour être utilisé avec le bloc moteur EGO PH1400E.

1. Éteignez le moteur et retirez la batterie.
2. Desserrez l'écrou papillon du coupleur du bloc moteur.
3. Si l'embout se trouve sur l'arbre de fixation, retirez-le et conservez-le dans un endroit sûr pour une utilisation ultérieure.

Alignez la flèche sur l'arbre de l'accessoire rouleau brosse avec celle du coupleur (schéma I) et poussez l'arbre de l'accessoire rouleau brosse dans le coupleur jusqu'à ce que vous entendiez un déclic (schéma J).

Schéma I - Description des pièces ci-dessous :

I-1	Bouton de déverrouillage du manche
I-2	Flèche sur le coupleur
I-3	Écrou papillon
I-4	Flèche sur le manche de l'extension cultivateur
I-5	Ligne rouge

Schéma J Description des pièces, voir ci-dessous :

J-1	Ligne rouge
-----	-------------

4. Tirez légèrement sur l'arbre de l'accessoire rouleau brosse pour vérifier qu'il est correctement verrouillé dans le coupleur. Sinon, déplacez l'arbre de l'accessoire rouleau brosse d'avant en arrière dans le coupleur jusqu'à ce qu'un déclic indique qu'il est engagé.
5. Resserrez ensuite l'écrou papillon.

⚠ AVERTISSEMENT: Assurez-vous que l'écrou papillon du coupleur est bien serré avant d'utiliser l'équipement. vérifiez régulièrement son étanchéité pendant son utilisation pour éviter tout risque de blessure grave.

RETRAIT DE L'EXTENSION DU BLOC MOTEUR

1. Éteignez le moteur et retirez la batterie.
2. Desserrez l'écrou papillon.
3. Lorsque le bouton de dégagement de l'arbre est enfoncé, tirez ou tournez l'arbre de l'accessoire rouleau brosse hors du coupleur pour le retirer du bloc moteur.

FONCTIONNEMENT

⚠ AVERTISSEMENT: Veillez à ne pas devenir moins prudent(e) au fur et à mesure que vous vous familiarisez avec cet outil. Gardez à l'esprit qu'une fraction de seconde d'inattention peut suffire pour provoquer des blessures graves.

⚠ AVERTISSEMENT : Portez toujours une protection oculaire et une protection auditive. Sans protection, des objets peuvent être projetés dans vos yeux et d'autres blessures graves peuvent se produire.

⚠ AVERTISSEMENT: N'utilisez aucun accessoire ou pièce non recommandé par le fabricant de ce produit. L'utilisation d'accessoires ou de pièces non recommandés peut provoquer des blessures corporelles graves.

APPLICATIONS

Vous pouvez utiliser ce produit aux finalités suivantes:

- Nettoyage des zones et des chemins, y compris des surfaces inégales et jointées.
- Nettoyage des allées de trottoir / béton / asphalte, des allées et des cours.

⚠ AVERTISSEMENT: Habillez-vous correctement pour réduire les risques de blessures lors de l'utilisation de cet outil. Ne portez pas de vêtement ample ni de bijou. Portez une protection oculaire Portez un pantalon long et épais, des chaussures montantes et des gants. Ne portez pas de shorts ni de sandales et ne marchez pas pieds nus.

Si la surface à nettoyer est sèche, pulvérisez-la avec de l'eau pour réduire la quantité de poussière créée.

Vous devez pousser l'accessoire rouleau brosse devant vous. Tenez toujours l'accessoire rouleau brosse avec une main sur la poignée arrière et l'autre main sur la poignée auxiliaire avant. Tenez toujours fermement l'outil à deux mains pendant l'utilisation.

Tenez et guidez l'accessoire rouleau brosse sur un angle oblique. Si l'accessoire rouleau brosse est maintenu à un angle trop raide, il a tendance à revenir vers l'opérateur.

Maintenez votre préhension et votre équilibre sur les deux pieds (schéma K).

Les morceaux projetés peuvent gravement blesser l'opérateur ou les autres personnes. Pour réduire le risque de blessures corporelles, il est essentiel de prendre les précautions suivantes.

- Tenez toujours l'outil avec vos deux mains lors de l'utilisation. Tenez fermement les deux poignées.
- Déplacez l'accessoire rouleau brosse vers la zone de travail avant de commencer à travailler et démarrez l'outil à une vitesse réduite.
- Pour réduire le risque de blessure par perte de contrôle, tenez et guidez l'accessoire rouleau brosse légèrement en oblique. Si l'accessoire rouleau brosse est maintenu à un angle trop raide, il a tendance à revenir vers l'opérateur.

Avant chaque utilisation, inspectez l'outil pour vérifier qu'aucune de ses pièces n'est endommagée / usée.

FR

Vérifiez le rouleau brosse, le carter, la poignée d'assistance avant et l'essieu moteur et remplacez toutes les pièces fissurées, gondolées, pliées ou endommagées de quelque manière que ce soit.

Nettoyez l'accessoire rouleau brosse après chaque utilisation.

Consultez le chapitre Entretien pour les instructions de nettoyage.

DÉMARRAGE / ARRÊT DE L'OUTIL

Consultez le paragraphe « DÉMARRAGE / ARRÊT DU BLOC MOTEUR » du manuel d'utilisation du bloc moteur PH1400E.

ENTRETIEN

⚠ AVERTISSEMENT: L'outil ne doit être réparé qu'avec des pièces de rechange identiques. L'utilisation de toute autre pièce peut créer un danger ou détériorer l'outil. Pour garantir la sécurité et la fiabilité, toutes les réparations doivent être effectuées par un réparateur qualifié.

⚠ AVERTISSEMENT: Les outils alimentés par batterie n'ont pas à être branchés dans une prise électrique, ils sont donc toujours prêts à fonctionner. Pour éviter des blessures corporelles graves, faites extrêmement attention lors de l'entretien et de la réparation de l'outil et lors du changement de l'accessoire de coupe ou d'autres accessoires.

⚠ AVERTISSEMENT: Pour éviter des blessures graves, retirez la batterie du bloc moteur et attendez l'arrêt du rouleau brosse avant l'entretien, le nettoyage, le changement d'un accessoire ou lorsque le produit est en cours d'utilisation.

ENTRETIEN GÉNÉRAL

⚠ AVERTISSEMENT: Ne laissez jamais des liquides de frein, de l'essence, des produits à base de pétrole, des huiles pénétrantes, etc. entrer en contact avec les pièces en plastique. Les produits chimiques peuvent endommager, fragiliser ou détruire le plastique, ce qui peut provoquer des blessures corporelles graves.

⚠ AVERTISSEMENT: Lors du nettoyage de l'accessoire rouleau brosse, ne l'immergez pas dans l'eau ni dans tout autre liquide. Ne nettoyez pas la machine avec un nettoyeur à haute pression. Le jet d'eau puissant pourrait endommager certaines de ses pièces.

ENTRETIEN DU ROULEAU BROSSE

- Nettoyez fréquemment le rouleau brosse;
- Si l'un des rouleaux brosse doit être remplacé en raison de dommages, remplacez les deux rouleaux pour une performance optimale.

Tous les travaux d'entretien sur le rouleau brosse, autres que ceux énumérés dans les présentes instructions d'entretien, doivent être effectués par du personnel d'entretien autorisé.

REPLACEMENT DES ROULEAUX BROSSE

⚠ AVERTISSEMENT: Un rouleau brosse endommagé peut se briser après une utilisation prolongée, ce qui peut provoquer des projectiles dangereux. Les objets projetés peuvent provoquer des blessures graves. Inspectez régulièrement la machine et ne l'utilisez pas avec des pièces usées ou endommagées.

Retrait (schéma L)

- Retirez la broche d'attelage de l'extrémité de l'essieu moteur.
- Tirez le rouleau brosse, ainsi que le couvercle sur celui-ci, de l'essieu moteur.
- Si l'essieu moteur est endommagé, retirez la broche de verrouillage du trou de l'essieu moteur et retirez-le de l'arbre d'entraînement (schéma M).
- Si le couvercle est endommagé, retirez-le du rouleau brosse et remplacez-le.
- Suivez les mêmes étapes pour retirer l'autre essieu moteur.

Schéma L - Description des pièces ci-dessous :

L-1	Arbre d'entraînement	L-4	Broche d'attelage
L-2	Broche de verrouillage	L-5	Plaque de protection
L-3	Rouleau brosse	L-6	Essieu moteur

Installation

- Installez l'essieu moteur sur l'arbre d'entraînement et insérez la broche de verrouillage dans le trou de l'essieu moteur (voir le schéma F).
- Installez la plaque de recouvrement sur le rouleau brosse avec les nervures de la plaque de recouvrement alignées sur le trou du rouleau brosse (schéma N).

Schéma N - Description des pièces ci-dessous :

N-1	Trou
N-2	Nervure

3. Poussez le rouleau brosse sur l'essieu moteur (schéma G).
4. Insérez la broche d'attelage dans le trou situé à l'extrémité de l'essieu moteur et repliez-la à plat.
5. Suivez les mêmes étapes pour monter l'autre essieu moteur.

⚠ AVERTISSEMENT: Remplacez toujours les deux rouleaux brosse en même temps.

NETTOYAGE DE L'OUTIL

- Retirez la batterie.
- Enlevez les morceaux de racines, les herbes coincées et les plantes des rouleaux brosse, du carter et de la boîte d'engrenage. Pour un nettoyage approfondi, retirez les rouleaux brosse et le carter pour les laver entièrement. Pour suivre les étapes détaillées pour le remplacement, reportez-vous au paragraphe « **REPLACEMENT DES ROULEAUX BROSSE** » ci-dessus.
- Veillez à ce que les ouïes de ventilation restent exemptes d'obstruction.

STOCKAGE DE L'OUTIL

- Retirez la batterie de l'outil.
- Nettoyez soigneusement l'outil et inspectez les rouleaux brosse.
- Retirez l'accessoire rouleau brosse du bloc-moteur et placez l'embout sur le manche pour éviter que de la saleté ne pénètre dans le raccord.
- Rangez l'outil dans un endroit sec, bien aéré, fermé à clé ou en hauteur, et hors de portée des enfants. Ne rangez pas l'outil sur ou à côté d'engrais, d'essence ou d'autres substances chimiques.

Protection de l'environnement



Ne jetez pas les équipements électriques, les chargeurs de batterie, les batteries rechargeables et les piles avec les ordures ménagères ! Conformément à la directive européenne 2012/19/UE, les équipements électriques et électroniques qui ne sont plus utilisables, et conformément à la directive européenne 2006/66/CE, les batteries rechargeables et les piles usagées ou défectueuses doivent être collectés séparément. Si les appareils électriques sont jetés dans des décharges ou des dépôts d'ordures, des substances dangereuses peuvent se répandre dans la nappe phréatique et rentrer dans la chaîne alimentaire, ce qui est néfaste pour votre santé et votre bien-être.

FR

GUIDE DE DÉPANNAGE

FR

PROBLÈME	CAUSE	SOLUTION
Le rouleau brosse ne démarre pas.	<ul style="list-style-type: none"> ■ La batterie n'est pas correctement raccordée au bloc moteur. ■ Il n'y a pas de contact électrique entre le bloc moteur et la batterie. ■ La batterie est déchargée. ■ Le levier de déverrouillage et l'interrupteur-gâchette ne sont pas pressés simultanément. ■ La machine ne démarre toujours pas. 	<ul style="list-style-type: none"> ■ Insérez la batterie sur le bloc moteur. ■ Retirez la batterie, contrôlez les contacts, puis réinsérez la batterie jusqu'à ce qu'elle s'encastre. ■ Rechargez la batterie avec un chargeur EGO listé dans ce manuel d'utilisation. ■ Maintenez le levier de déverrouillage enfoncé, puis appuyez sur la gâchette pour allumer l'outil. ■ Contactez le service client EGO.
Le rouleau brosse est visiblement endommagé..	<ul style="list-style-type: none"> ■ Un dommage s'est produit lors du transport ou de l'utilisation. 	<ul style="list-style-type: none"> ■ Contactez le service client EGO.
Le rouleau brosse s'arrête pendant le brossage..	<ul style="list-style-type: none"> ■ Le moteur est en surcharge. ■ La batterie ou le bloc moteur est trop chaud. ■ La batterie est déconnectée de l'outil. ■ La batterie est déchargée. ■ La machine ne démarre toujours pas. 	<ul style="list-style-type: none"> ■ Le moteur pourra redémarrer quand la charge aura été retirée. Pour un usage continu, réduisez la charge sur l'accessoire rouleau brosse. ■ Laissez la batterie ou la tête alimentée refroidir jusqu'à ce que sa température baisse sous 67 °C. ■ Réinstallez la batterie. ■ Rechargez la batterie avec un chargeur EGO listé dans ce manuel d'utilisation. ■ Contactez le service client EGO.

GARANTIE

POLITIQUE DE GARANTIE EGO

Visitez le site Web egopowerplus.com pour consulter les conditions complètes de la politique de garantie EGO.

¡LEA TODAS LAS INSTRUCCIONES!



LEER EL MANUAL DEL USUARIO

⚠ ¡Riesgo residual! Las personas con implantes electrónicos, como marcapasos, deberán consultar a su médico antes de utilizar este producto. La utilización de equipos eléctricos en las proximidades inmediatas de un marcapasos podría causar en este interferencias o averías.

⚠ ADVERTENCIA: Para garantizar la seguridad y fiabilidad de la herramienta, las reparaciones y sustituciones debe realizarlas únicamente un técnico cualificado.

SÍMBOLO DE SEGURIDAD

El propósito de los símbolos de seguridad es atraer su atención hacia posibles peligros. Los símbolos de seguridad y las explicaciones que los acompañan requieren su máxima atención y comprensión. Por sí solos, los símbolos de advertencia no eliminan los posibles peligros. Las instrucciones y advertencias que proporcionan no sustituyen a las medidas adecuadas de prevención de accidentes.

⚠ ADVERTENCIA: Antes de utilizar esta herramienta, asegúrese de haber leído y entendido perfectamente todas las instrucciones incluidas en este Manual del usuario, incluidos todos los símbolos de aviso sobre seguridad, tales como **“PELIGRO”, “ADVERTENCIA”** y **“PRECAUCIÓN”**. Si no se observan todas las instrucciones que se indican a continuación existe riesgo de incendio, electrocución, así como de lesiones graves.

SIGNIFICADO DE LOS SÍMBOLOS

⚠ SÍMBOLO DE AVISO DE SEGURIDAD: Indica **PELIGRO, ADVERTENCIA O PRECAUCIÓN**, puede utilizarse de manera conjunta con otros símbolos o pictogramas.





⚠ ADVERTENCIA: Cuando se utilizan herramientas eléctricas, es posible que salgan despedidos objetos que podrían causar lesiones oculares graves. Antes de empezar a usar herramientas eléctricas, póngase siempre gafas de seguridad, gafas con cristales anti-impacto que cuenten con pantallas de protección lateral y una máscara facial completa. Recomendamos usar una máscara de seguridad de amplia visión que pueda utilizarse encima de gafas graduadas, o bien gafas normales de seguridad equipadas con pantallas laterales.

PRECAUCIONES DE SEGURIDAD

Esta página muestra y describe los símbolos de seguridad que puede haber en este producto. Asegúrese de leer, comprender y cumplir todas las instrucciones que se indican en la máquina antes de proceder a su montaje y utilización.

	Aviso de seguridad	Indica una situación potencialmente peligrosa que, de no evitarse, podría provocar lesiones.
	Leer el Manual del usuario	Para reducir el riesgo de lesiones, el usuario debe leer y comprender el manual del usuario antes de utilizar este producto.
	Utilizar protección ocular	Utilice siempre utilice gafas de seguridad, gafas con cristales anti-impacto que cuenten con pantallas de protección lateral, o bien una máscara facial que proteja completamente la cara cuando use este producto.
	Mantener alejadas a otras personas	Mantenga a las personas presentes a una distancia
	Utilizar guantes de protección	Utilice guantes para protegerse las manos cuando manipule cuchillas. Utilice guantes resistentes y antideslizantes que mejoran el agarre y le protegen las manos.
	Utilizar calzado de seguridad	Lleve calzado de seguridad antideslizante siempre que utilice este equipo.
	Rebote	Los objetos lanzados pueden rebotar y provocar lesiones personales o daños materiales.
	No exponga la herramienta a la lluvia	No utilice la herramienta bajo la lluvia ni la deje a la intemperie cuando esté lloviendo.
	CE	Este producto está en conformidad con las directivas de la CE aplicables.

ES

	RAEE	Los productos eléctricos no deben eliminarse con la basura doméstica. Lívelos a un centro de reciclaje autorizado.
	Ruido	Nivel de potencia acústica garantizado. La emisión de ruido al medio ambiente cumple la directiva de la Comunidad Europea.
V	Voltios	Tensión
mm	Milímetro	Longitud o tamaño
kg	Kilogramo	Peso

MEDIDAS DE SEGURIDAD GENERALES PARA HERRAMIENTAS ELÉCTRICAS

⚠ ¡ADVERTENCIA! Lea todas las advertencias, instrucciones, ilustraciones y especificaciones incluidas con esta herramienta eléctrica. Si no se cumplen todas las instrucciones que se enumeran a continuación, pueden producirse descargas eléctricas, incendios o lesiones graves.

Conserve todas las instrucciones y advertencias para poder consultarlas en el futuro.

SEGURIDAD EN LA ZONA DE TRABAJO

- Mantenga la zona de trabajo limpia y bien iluminada. Las áreas de trabajo desordenadas y oscuras favorecen los accidentes.
- No ponga en funcionamiento las herramientas eléctricas en entornos explosivos como, por ejemplo, donde haya líquidos inflamables, gases o polvo. Las herramientas eléctricas generan chispas que podrían actuar como detonante de vapores y partículas de polvo inflamables.
- Mantenga a los niños y las demás personas alejados cuando esté utilizando una herramienta eléctrica. Las distracciones podrían hacerle perder el control de la herramienta.

SEGURIDAD ELÉCTRICA

- No exponga las herramientas eléctricas a la lluvia o a la humedad. Si penetra agua en una herramienta eléctrica, aumentará el riesgo de descarga eléctrica.

SEGURIDAD PERSONAL

- Manténgase alerta, preste atención a lo que está haciendo y aplique el sentido común durante el uso de una herramienta eléctrica. No utilice herramientas eléctricas cuando esté cansado o si

se encuentra bajo los efectos de drogas, alcohol o fármacos. Cuando se están usando herramientas eléctricas, cualquier falta de atención, aunque sea por un instante, puede provocar lesiones graves.

- **Utilice siempre equipo de protección personal.** El equipo de protección personal, como protección ocular, máscaras antipolvo, calzado de seguridad antideslizante, casco protector o protección auditiva, cuando se utiliza adecuadamente, reduce las lesiones personales.
- **Evite la puesta en marcha accidental de la herramienta. Asegúrese de que el interruptor de encendido se encuentra en la posición de apagado antes de enchufar la herramienta a la red eléctrica y/o de acoplar la batería, así como al agarrar o transportar la herramienta.** Si lleva una herramienta eléctrica con el dedo puesto sobre el interruptor, o si enchufa una herramienta eléctrica con el interruptor encendido, pueden producirse accidentes.
- **Retire cualquier llave de ajuste o llave inglesa de la herramienta antes de encenderla.** Una llave inglesa o una llave de ajuste enganchada a una parte giratoria de la herramienta puede producir lesiones.
- **No se estire demasiado para alcanzar lugares de difícil acceso. Mantenga una posición firme y equilibrada en todo momento.** De este modo podrá controlar mejor la herramienta eléctrica en situaciones inesperadas.
- **Utilice ropa adecuada. No lleve ropa holgada ni joyas. Mantenga el pelo, la ropa y los guantes alejados de las piezas móviles.** La ropa holgada, así como las joyas o el pelo largo podrían engancharse en las partes móviles de la herramienta.
- **Si se incluyen dispositivos de conexión a extractores y colectores de polvo, asegúrese de conectarlos y utilizarlos adecuadamente.** La utilización de dispositivos colectores de polvo puede reducir los peligros ocasionados por el polvo.
- **El hecho de haberse familiarizado con la herramienta por el uso frecuente no debe hacer que se descuide e ignore los principios de seguridad.** Una distracción puede provocar lesiones graves en una fracción de segundo.

UTILIZACIÓN Y CUIDADO DE LAS HERRAMIENTAS ELÉCTRICAS

- **No fuerce la herramienta eléctrica. Utilice la herramienta eléctrica adecuada para la tarea que vaya a realizar.** La herramienta correcta funcionará mejor y con más seguridad a la velocidad para la que ha sido diseñada.

- **No use la herramienta si el interruptor no funciona para encenderla y apagarla.** Toda herramienta que no se puede controlar con el interruptor es peligrosa y debe repararse.
 - **Si la batería es extraíble, quítela de la herramienta o active el dispositivo de apagado de la batería antes de sacar material atascado de la herramienta, hacer ajustes, cambiar accesorios, limpiarla o guardarla.** Estas medidas de seguridad reducen el riesgo de que la herramienta se ponga en marcha accidentalmente.
 - **Guarde las herramientas eléctricas apagadas fuera del alcance de niños y no deje que las usen personas que no estén familiarizadas con estas instrucciones o con las herramientas.** Las herramientas eléctricas son peligrosas si las usan personas sin experiencia.
 - **Cuide las herramientas eléctricas y sus accesorios. Compruebe si hay elementos móviles desalineados o trabados, piezas rotas u otra circunstancia que pueda afectar al funcionamiento de la herramienta. Si la herramienta eléctrica está dañada, llévela a reparar antes de usarla.** La falta de mantenimiento de las herramientas eléctricas y sus accesorios es la causa de muchos accidentes.
 - **Mantenga las herramientas de corte afiladas y limpias.** Las herramientas de corte bien afiladas tienen menos probabilidades de atascarse y son más fáciles de controlar.
 - **Use la herramienta eléctrica, los accesorios, las brocas, etc., siguiendo las instrucciones y teniendo en cuenta las condiciones de trabajo y la tarea a realizar.** El uso de las herramientas eléctricas para fines diferentes a los previstos podría provocar situaciones de peligro.
 - **Mantenga las asas y la superficie de agarre secas, limpias y libres de aceite y grasa.** Si las asas y las superficies de agarre están resbaladizas, no se puede manejar la herramienta de forma segura ni mantener el control en las situaciones inesperadas.
- **Cuando no se esté utilizando la batería, manténgala apartada de objetos metálicos como clips para papeles, monedas, llaves, clavos, tornillos, o cualquier otro objeto metálico pequeño que pudiera provocar un cortocircuito en sus terminales de corriente.** Si se provoca el cortocircuito en los terminales de la batería, podrían producirse quemaduras o incendios.
 - **En condiciones de uso intensivo, es posible que se produzca una fuga de líquido de la batería; evite el contacto. Enjuague con agua si se produce un contacto accidental. Si el líquido entra en contacto con los ojos, solicite también atención médica.** El líquido que emana de la batería puede provocar irritaciones o quemaduras.
 - **No utilice una batería o una herramienta que haya sido modificada o que esté dañada.** Las baterías dañadas o modificadas pueden tener un comportamiento impredecible y provocar un incendio, explosión o riesgo de lesiones.
 - **No exponga la batería ni la herramienta al fuego ni a una temperatura excesiva.** La exposición al fuego o a una temperatura superior a 100 °C podría provocar una explosión.
 - **Siga todas las instrucciones de carga y no cargue la batería ni la herramienta fuera del rango de temperatura especificado en las instrucciones.** Una carga incorrecta o a temperaturas fuera del rango especificado puede dañar la batería y aumentar el riesgo de incendio.

OTRAS ADVERTENCIAS DE SEGURIDAD

Formación

- Lea atentamente estas instrucciones. Familiarícese con los controles y el uso correcto del aparato.
- Nunca permita que utilicen la herramienta las personas que no estén familiarizadas con estas instrucciones ni los niños. Las normativas locales pueden restringir la edad del usuario.
- Nunca utilice la herramienta cuando haya cerca otras personas, especialmente niños, o mascotas.
- Recuerde que el operario o usuario de la herramienta será responsable de cualquier accidente o peligro para otras personas o bienes materiales.

Preparación

- Lleve siempre calzado robusto y pantalones largos cuando utilice la herramienta. No use la herramienta estando descalzo o con sandalias.
- Examine minuciosamente la zona donde vaya a utilizar el aparato y elimine todos los objetos que puedan ser lanzados por la herramienta.

UTILIZACIÓN Y MANTENIMIENTO DE HERRAMIENTAS A BATERÍA

- **Recargue únicamente con el cargador especificado por el fabricante.** Un cargador que es adecuado para un tipo de batería podría ocasionar un incendio si se utiliza con una batería distinta.
- **Utilice herramientas eléctricas solamente con las baterías diseñadas específicamente para ellas.** El uso de cualquier otro tipo de batería puede provocar riesgo de lesiones e incendio.

Utilización

- Antes de usar la herramienta, inspecciónela siempre visualmente para comprobar que no esté desgastada ni dañada. Reemplace al mismo tiempo los componentes desgastados o dañados y los tornillos, para mantener el equilibrio.
- No ponga en marcha el motor en lugares en los que puedan acumularse gases de monóxido de carbono peligrosos.
- Utilice la herramienta solo a plena luz del día o cuando haya una iluminación artificial adecuada.
- Asegúrese siempre de tener los pies firmemente apoyados sobre el suelo cuando utilice la herramienta en pendientes.
- Camine, no corra nunca con la herramienta.
- En el caso de aparatos rotativos con ruedas, desplácese perpendicularmente a la pendiente, y no cuesta arriba o cuesta abajo.
- Extreme la precaución al cambiar de dirección mientras utiliza la herramienta en pendientes.
- No utilice la herramienta en terrenos excesivamente inclinados.
- Extreme la precaución al retroceder o al tirar hacia usted de la máquina.
- No cambie los ajustes de regulación del motor ni ponga el motor a una velocidad excesiva.
- Arranque el motor con cuidado, siguiendo las instrucciones del fabricante y manteniendo los pies alejados de la herramienta.
- No coloque las manos ni los pies cerca o debajo de los elementos giratorios.
- Nunca levante ni transporte la máquina con el motor en marcha.

USO EN PENDIENTES:

Las pendientes son un factor de riesgo importante en relación con accidentes como resbalones y caídas, que pueden provocar lesiones graves. Asegúrese siempre de tener los pies firmemente apoyados sobre el suelo cuando utilice la herramienta en pendientes. El uso de la herramienta en pendientes requiere siempre extremar las precauciones. Si se siente inseguro en una pendiente, no utilice allí la herramienta.

- Preste atención a la existencia de socavones, roderas, piedras, objetos ocultos o bultos que puedan hacerle resbalar o tropezar. La hierba alta puede ocultar obstáculos.

SERVICIO TÉCNICO

- **Las reparaciones de las herramientas eléctricas debe realizarlas un técnico cualificado, utilizando solo piezas de recambio idénticas.** De este modo, podrá garantizarse la seguridad de uso de la herramienta eléctrica.

- **No repare nunca baterías que estén dañadas.** Las baterías solo debe repararlas el fabricante o un centro de servicio técnico autorizado.

⚠ ADVERTENCIA: Lea todas las advertencias, instrucciones, ilustraciones y especificaciones incluidas con esta herramienta eléctrica. Si no se cumplen todas las instrucciones que se enumeran a continuación, pueden producirse descargas eléctricas, incendios o lesiones graves. Conserve todas las instrucciones y advertencias para poder consultarlas en el futuro.

- Utilizar solo con los acumuladores y cargadores enumerados en la fig. A.

GUARDE ESTAS INSTRUCCIONES

ESPECIFICACIONES

Diámetro del tambor del cepillo	250 mm	
Franja de limpieza	560 mm	
Temperatura de funcionamiento recomendada	-15 °C - 40 °C	
Temperatura de almacenamiento recomendada	-20 °C - 70 °C	
Peso (incluyendo la protección)	5,05 kg	
Nivel de potencia acústica medido L_{WA}	91,4 dB(A) K = 2,02 dB(A)	
Nivel de presión acústica medido a la altura del oído del usuario L_{PA}	82,8 dB(A) K = 2,5 dB(A)	
Nivel de potencia acústica garantizado L_{WA} (medido conforme a los requisitos de la Directiva 2000/14/CE)	93 dB(A)	
Evaluación de la vibración a_h	Empuñadura auxiliar delantera	0,46 m/s ² K = 1,5 m/s ²
	Empuñadura trasera	1,43 m/s ² K = 1,5 m/s ²

- Los parámetros anteriores se han comprobado y medido equipando un conjunto de motor PH1400E.
- El valor de vibración total ha sido medido de acuerdo con el método de prueba estándar y se puede utilizar para comparar herramientas.

- El valor total de vibración declarado se puede usar además en una evaluación preliminar del grado de exposición.

AVISO: Las vibraciones generadas durante el uso real de la herramienta eléctrica pueden diferir del valor declarado en función de la manera en que se utilice. Como protección, el usuario debería utilizar guantes y protectores auditivos en condiciones reales de uso.

LISTA DEL CONTENIDO

NOMBRE DE LA PIEZA	CANTIDAD
Accesorio de cepillo de púas	1
Rodillo del cepillo	2
Eje de accionamiento	2
Protección (con perno)	1
Llave Allen	1
Pasador de enganche	2
Espiga de bloqueo	2
Manual del usuario	1

DESCRIPCIÓN

FAMILIARÍCESE CON EL ACCESORIO DE CEPILLO DE PÚAS (fig. A)

- Caperuza
- Tubo del accesorio de cepillo de púas
- Protección
- Rodillo del cepillo
- Caja de engranajes
- Pasador de enganche
- Llave Allen

MONTAJE

⚠ ADVERTENCIA: Si alguna pieza falta o está rota, no utilice el producto hasta haber sustituido las piezas. Podrían producirse lesiones graves en caso de utilizar el producto si alguna de sus piezas falta o está dañada.

⚠ ADVERTENCIA: No intente modificar este producto ni fabricar accesorios no recomendados para su uso en esta máquina. Cualquier alteración o modificación se considerará uso indebido y podría provocar una situación peligrosa con riesgo de sufrir lesiones graves.

⚠ ADVERTENCIA: Para evitar una puesta en marcha accidental que podría causar lesiones graves, desenchufe siempre de la conexión el conector de la batería antes de montar piezas.

⚠ ADVERTENCIA: No conecte el cepillo de púas al conjunto de motor hasta después de haber finalizado el montaje. De lo contrario, podría producirse un arranque accidental y posibles lesiones graves.

ES

MONTAJE DE LA PROTECCIÓN

⚠ ADVERTENCIA: Instale la protección antes de conectar el accesorio de cepillo de púas al conjunto del motor.

- Afloje y quite el tornillo de la protección con la llave Allen incluida (fig. B).
- Levante el tubo del accesorio de cepillo de púas y quite la caperuza del tubo.
- Con la ranura de la protección alineada con el borde en el extremo del tubo, pase la protección por el tubo hasta que estén alineados los orificios del tornillo en la protección y en el tubo (fig. C y D).

Fig. C y D, ver abajo la descripción de las piezas:

C-1	Ranura
C-2	Borde
D-1	Tornillo

- Use la llave Allen incluida para apretar el tornillo en sentido horario y sujetar la protección de forma segura.

USO DE LOS RODILLOS DEL CEPILLO

- Empuje el eje de accionamiento sobre el eje del motor (fig. E).

Fig. E, ver abajo la descripción de las piezas:

E-1	Eje del motor
E-2	Eje de accionamiento

- Para sujetar el eje de accionamiento al eje del motor, inserte el pasador de bloqueo en el orificio de bloqueo.

AVISO: El pasador de bloqueo debe instalarse en su lugar (fig. F).

Fig. F, ver abajo la descripción de las piezas:

F-1	Espiga de bloqueo
F-2	Orificio de bloqueo

3. Siga los mismos pasos para montar el otro eje de accionamiento.
4. Empuje el rodillo del cepillo sobre el eje de accionamiento (fig. G).

Fig. G, ver abajo la descripción de las piezas:

G-1	Rodillo del cepillo
G-2	Eje de accionamiento

5. Inserte el pasador de enganche en el orificio situado en el extremo, para sujetar el rodillo del cepillo al eje de accionamiento (fig. H).

Fig. H, ver abajo la descripción de las piezas:

H-1	Pasador de enganche
-----	---------------------

6. Siga los mismos pasos para montar el otro rodillo del cepillo.

CONEXIÓN DEL ACCESORIO DE CEPILLO DE PÚAS AL CONJUNTO DE MOTOR

⚠ ADVERTENCIA: No instale ni ajuste nunca ningún accesorio mientras el conjunto de motor esté funcionando o con la batería instalada. Si no se apaga el motor y se quita la batería pueden producirse lesiones graves.

Este cepillo con púas está diseñado para usarlo con el conjunto de motor EGO PH1400E.

1. Apague el motor y quite la batería.
2. Afloje la tuerca de mariposa en el acoplador del conjunto del motor.
3. Si está puesta la caperuza en el tubo del accesorio, quítela y guárdela en un lugar seguro para usarla más tarde.

Alinee la flecha en el tubo del cepillo de púas con la flecha en el acoplador (fig. I) y empuje el tubo del cepillo de púas en el acoplador, hasta que se oiga un «CLIC» (fig. J).

Fig. I, véase a continuación la descripción de las piezas:

I-1	Botón de liberación del eje
I-2	Flecha en el acoplador
I-3	Tuerca de mariposa
I-4	Flecha en el tubo del accesorio
I-5	Línea roja

Fig. J, ver abajo la descripción de las piezas:

J-1	Línea roja
-----	------------

4. Tire ligeramente del tubo del accesorio de cepillo de púas para comprobar que está bloqueado de modo seguro en el acoplador. De lo contrario, mueva el tubo del cepillo de púas hacia atrás y hacia delante en el acoplador, hasta que se oiga un «CLIC» indicando que se ha enclavado.
5. Apriete la tuerca de mariposa de forma segura.

⚠ ADVERTENCIA: Asegúrese de que la tuerca de mariposa en el acoplador está completamente apretada antes de utilizar el equipo; compruebe el apriete periódicamente durante el uso para evitar lesiones graves.

DESINSTALACIÓN DE UN ACCESORIO DEL CONJUNTO DE MOTOR

1. Apague el motor y quite la batería.
2. Afloje la tuerca de mariposa.
3. Manteniendo apretado el botón de liberación del tubo, tire del tubo del accesorio de cepillo de púas o gírelo para sacarlo del acoplador y quitarlo del conjunto del motor.

FUNCIONAMIENTO

⚠ ADVERTENCIA: No permita que el hecho de estar familiarizado con el producto le haga descuidarse. Recuerde que cualquier distracción de una fracción de segundo es suficiente para provocar lesiones graves.

⚠ ADVERTENCIA: Utilice siempre gafas de seguridad, así como protección auditiva. De lo contrario, de la herramienta pueden salir objetos despedidos y alcanzar los ojos, provocando lesiones graves.

⚠ ADVERTENCIA: No utilice piezas o accesorios no recomendados por el fabricante de este producto. La utilización de piezas o accesorios no recomendados puede provocar lesiones graves.

APLICACIONES

Este producto podrá utilizarse para los fines indicados a continuación:

- Limpieza de superficies y caminos, incluyendo las superficies irregulares y con juntas.
- Limpieza de aceras/hormigón/calzadas de asfalto, paseos y patios.

⚠ ADVERTENCIA: Utilice ropa adecuada cuando trabaje con esta herramienta, para reducir el riesgo de lesiones. No lleve puesta ropa holgada ni joyas. Utilice protección ocular. Utilice pantalones largos, botas y guantes resistentes. No lleve pantalones cortos, sandalias, ni vaya descalzo.

Si la superficie a limpiar está seca, rocíela con agua para reducir la cantidad de polvo generada.

Debería trabajar hacia delante con el cepillo de púas. Sujete el cepillo de púas con una mano sobre la empuñadura trasera y la otra mano sobre la empuñadura auxiliar delantera. Mantenga un agarre firme con las dos manos mientras utiliza el cepillo de púas.

Sujete y guíe el cepillo en un ángulo bajo. Si el cepillo de púas se sujeta en un ángulo demasiado alto, tenderá a empujar hacia atrás en dirección al usuario.

Mantenga un buen agarre y equilibre el peso entre los dos pies (fig. K).

Si sale despedido algún material, puede lesionar gravemente al usuario o a otras personas. Para reducir el riesgo de lesiones, es esencial adoptar las precauciones siguientes:

- Sujete siempre el cepillo de púas con las dos manos durante el funcionamiento. Agarre las dos empuñaduras firmemente.
- Lleve el cepillo de púas al área de trabajo antes de ponerlo en marcha a baja velocidad.
- Para reducir el riesgo de lesiones debido a la pérdida de control, sujete y guíe el cepillo de púas en un ángulo bajo. Si el cepillo de púas se sujeta en un ángulo demasiado alto, tenderá a empujar hacia atrás en dirección al usuario.

Antes de cada uso, examine la herramienta por si hubiera piezas dañadas o desgastadas.

Examine el rodillo del cepillo, la protección, la empuñadura auxiliar delantera y el eje de accionamiento. Sustituya cualquier pieza que esté agrietada, deformada, doblada o presente cualquier tipo de daño.

Limpie el cepillo de púas después de cada uso

Consulte las instrucciones de limpieza en el apartado «Mantenimiento».

PONER EN MARCHA/APAGAR LA HERRAMIENTA

Consulte el apartado «PUESTA EN MARCHA/PARADA DEL CONJUNTO DE MOTOR» del manual del usuario del conjunto de motor PH1400E.

MANTENIMIENTO

⚠ ADVERTENCIA: Cuando repare la herramienta, utilice solo piezas idénticas a las originales. La utilización de otras piezas podría suponer un peligro o causar daños en el producto. Para garantizar la seguridad y fiabilidad de la herramienta, las reparaciones debe realizarlas únicamente un técnico cualificado.

⚠ ADVERTENCIA: Las herramientas que funcionan a batería no requieren enchufarse en una toma de corriente. Por lo tanto, siempre están listas para funcionar. Para evitar lesiones graves, exteme las precauciones y proceda con cuidado al efectuar tareas de mantenimiento, reparación o sustitución del elemento de corte o de otros accesorios.

⚠ ADVERTENCIA: Para evitar lesiones graves, quite la batería del conjunto del motor y espere a que el rodillo del cepillo se haya parado antes de realizar reparaciones, limpieza, cambios de accesorios o cuando no se use el producto.

MANTENIMIENTO GENERAL

⚠ ADVERTENCIA: No deje nunca que las piezas de plástico entren en contacto con líquido de frenos, gasolina, productos derivados del petróleo, aceites penetrantes, etc. Los productos químicos podrían dañar, debilitar o destruir el plástico, con el consiguiente riesgo de provocar lesiones graves.

⚠ ADVERTENCIA: Cuando limpie el accesorio de cepillo de púas, NO lo sumerja en agua ni en otros líquidos. No limpie la máquina con un limpiador a presión. El chorro de agua a presión puede dañar algunas piezas de la máquina.

MANTENIMIENTO DEL RODILLO DEL CEPILLO

- Limpie con frecuencia el rodillo del cepillo.
- En caso de que sea necesario cambiar un rodillo del cepillo porque se ha dañado, cambie ambos rodillos para obtener el mejor rendimiento.

Todas las reparaciones del cepillo de púas distintas a las acciones que se enumeran en estas instrucciones de mantenimiento debe realizarlas el personal de servicio técnico autorizado.

SUSTITUCIÓN DE LOS RODILLOS DEL CEPILLO

⚠ ADVERTENCIA: Un rodillo del cepillo dañado puede romperse en pedazos después de usarlo durante mucho tiempo, pudiendo convertirse en proyectiles peligrosos. Los objetos lanzados por la acción de la herramienta podrían causar lesiones graves. Inspecciónelo regularmente y no utilice el cepillo de púas con piezas dañadas o desgastadas.

Para sacarlo (fig. L)

1. Quite el pasador de enganche del eje de accionamiento.
2. Tire del rodillo del cepillo junto con la placa que lo cubre, para sacarlo del eje de accionamiento.

- Si el eje de accionamiento está dañado, quite el pasador de bloqueo del orificio del eje de accionamiento, y tire del eje de accionamiento para sacarlo del eje del motor (fig. M).
- Si la placa de recubrimiento está dañada, sáquela del rodillo del cepillo y cámbiela.
- Siga los mismos pasos para quitar el otro rodillo del cepillo.

Fig. L, ver abajo la descripción de las piezas:

L-1	Eje del motor	L-4	Pasador de enganche
L-2	Espiga de bloqueo	L-5	Placa de recubrimiento
L-3	Rodillo del cepillo	L-6	Eje de accionamiento

Instalación

- Instale el eje de accionamiento sobre el eje del motor e inserte la espiga de bloqueo en el orificio del eje de accionamiento (ver la fig. F).
- Instale la placa de recubrimiento en el rodillo del cepillo con el borde de la placa alineado con el orificio en el rodillo del cepillo (fig. N).

Fig. N, ver abajo la descripción de las piezas:

N-1	Orificio
N-2	Borde

- Empuje el rodillo del cepillo sobre el eje de accionamiento (ver fig. G).
- Inserte el pasador de enganche en el orificio situado en el extremo del eje de accionamiento y dóblelo plano.
- Siga los mismos pasos para montar el otro rodillo del cepillo.

⚠ ADVERTENCIA: Cambie siempre los dos rodillos del cepillo al mismo tiempo.

LIMPIEZA DE LA UNIDAD

- Quite la batería.
- Limpie los trozos de raíces, suelo obstruido o plantas de los rodillos del cepillo, la protección o la caja de engranajes. Para una limpieza a fondo, quite los rodillos del cepillo y la protección y lávelo bien. Consulte los pasos detallados para cambiarlos en el apartado anterior «SUSTITUCIÓN DE LOS RODILLOS DEL CEPILLO».
- Mantenga los orificios de ventilación libres de obstrucciones.

ALMACENAMIENTO DE LA HERRAMIENTA

- Quite la batería de la herramienta.
- Limpie a fondo la herramienta e inspeccione los rodillos del cepillo.
- Quite el accesorio del cepillo de púas del conjunto del motor y cubra el tubo del accesorio con la caperuza, para evitar que penetre suciedad en el acoplamiento.
- Almacene la herramienta en un lugar seco y bien ventilado, ya sea cerrado o a una altura suficiente que impida que los niños puedan alcanzarla. No la guarde encima ni cerca de fertilizantes, gasolina u otros productos químicos.

Protección del medio ambiente



¡No elimine aparatos eléctricos, cargadores de baterías, pilas o baterías recargables junto con los desperdicios domésticos! Tanto la Directiva europea 2012/19/UE sobre la eliminación de aparatos eléctricos y electrónicos inservibles como la Directiva europea 2006/66/CE sobre la eliminación de baterías o acumuladores defectuosos o agotados estipulan que dichos elementos deben ser objeto de una recogida selectiva. Si los aparatos eléctricos acabaran tirándose a vertederos o basureros, podrían desprender sustancias perjudiciales que llegarían a contaminar las capas freáticas y entrar en la cadena alimenticia, con el consecuente peligro para la salud y calidad de vida humana.

SOLUCIÓN DE PROBLEMAS

PROBLEMA	CAUSA	SOLUCIÓN
El cepillo de púas no arranca.	<ul style="list-style-type: none"> ■ La batería no está conectada correctamente al conjunto del motor. ■ No hay contacto eléctrico entre el conjunto de motor y la batería. ■ La batería está agotada. ■ No ha presionado simultáneamente la palanca de desbloqueo y el gatillo interruptor del conjunto del motor. ■ Sigue sin arrancar a pesar de que no se dan las circunstancias mencionadas. 	<ul style="list-style-type: none"> ■ Instale la batería en el conjunto del motor. ■ Quite la batería, compruebe los contactos eléctricos y vuelva a instalar la batería de modo que encaje en su sitio. ■ Cargue la batería con un cargador EGO especificado en este manual. ■ Mantenga presionada la palanca de desbloqueo y apriete el gatillo interruptor para poner en marcha el aparato. ■ Póngase en contacto con el servicio de asistencia técnica de EGO.
El cepillo de púas presenta daños evidentes.	<ul style="list-style-type: none"> ■ Daños anómalos durante el transporte o el uso. 	<ul style="list-style-type: none"> ■ Póngase en contacto con el servicio de asistencia técnica de EGO.
El cepillo de púas se para cuando se está utilizando.	<ul style="list-style-type: none"> ■ El motor se ha sobrecargado. ■ La batería o el conjunto de motor se han sobrecalentado. ■ La batería se ha desconectado de la herramienta. ■ La batería está agotada. ■ Sigue sin arrancar a pesar de que no se dan las circunstancias mencionadas. 	<ul style="list-style-type: none"> ■ El motor se recuperará cuando se retire la carga. Para un trabajo continuo, reduzca la carga del cepillo de púas. ■ Espere a que la batería o el conjunto de motor se hayan enfriado lo suficiente para que su temperatura sea inferior a 67 °C. ■ Vuelva a instalar la batería. ■ Cargue la batería con un cargador EGO especificado en este manual. ■ Póngase en contacto con el servicio de asistencia técnica de EGO.

ES

GARANTÍA

POLÍTICA DE GARANTÍA DE EGO

Visite la página web egopowerplus.com para conocer los términos y condiciones completos de la política de garantía de EGO.

LEIA TODAS AS INSTRUÇÕES!



LEIA O MANUAL DO UTILIZADOR

PT

⚠ Risco residual! As pessoas com dispositivos eletrônicos, como pacemakers, deverão consultar o seu médico antes de utilizarem este produto. A utilização de equipamento elétrico perto de um pacemaker pode causar interferências ou falhas no pacemaker.

⚠ AVISO: Para assegurar a segurança e bom funcionamento, todas as reparações e substituições deverão ser efetuadas por um técnico de reparação qualificado.

SÍMBOLO DE SEGURANÇA

O objetivo dos símbolos de segurança é chamar a atenção para possíveis perigos. Os símbolos de segurança e as respectivas explicações apresentadas requerem a sua atenção e compreensão. Os avisos de segurança, só por si, não eliminam o perigo. As instruções e avisos dados não são substitutos para medidas de prevenção adequadas a acidentes.

⚠ AVISO: Certifique-se de que lê e compreende todos os avisos de segurança neste manual do utilizador, incluindo todos os símbolos de alerta de segurança, como **“PERIGO”, “AVISO”** e **“CUIDADO”** antes de usar esta ferramenta. O não cumprimento de todas as instruções apresentadas abaixo pode resultar em choque elétrico, incêndio e/ou lesões pessoais graves.

SIGNIFICADO DOS SÍMBOLOS

⚠ SÍMBOLO DE ALERTA DE SEGURANÇA:

Indica **PERIGO, AVISO** ou **CUIDADO** e pode ser usado juntamente com outros símbolos ou imagens.



⚠ AVISO: O funcionamento de qualquer ferramenta elétrica pode dar origem ao ressaltar de quaisquer objetos estranhos que podem atingir os olhos, podendo dar origem a sérias lesões oculares. Antes de começar a utilizar a ferramenta elétrica, utilize sempre óculos de segurança com proteções laterais e uma proteção completa para o rosto, quando necessário. Recomendamos a utilização de máscaras de segurança com visão panorâmica por cima dos óculos ou óculos de segurança padrão com proteção lateral.

INSTRUÇÕES DE SEGURANÇA

Esta página retrata e descreve os símbolos de segurança que podem aparecer neste produto. Leia, compreenda e siga todas as instruções na máquina antes de tentar montar e utilizar.

	Alerta de segurança	Indica um potencial perigo de lesões pessoais.
	Leia o manual do utilizador	Para reduzir o risco de lesões, o utilizador tem de ler e compreender o manual do utilizador antes de utilizar este produto.
	Utilize proteção ocular.	Utilize sempre óculos de segurança com proteção lateral e, se necessário, uma proteção completa do rosto, quando utilizar este produto.
	Mantenha terceiros afastados	Mantenha outras pessoas a uma distância segura
	Utilize luvas de proteção.	Proteja as suas mãos com luvas quando manusear lâminas. As luvas resistentes e anti-derrapantes melhoram a aderência e protegem as suas mãos.
	Utilize calçado de segurança.	Use calçado de segurança anti-derrapante quando usar este equipamento.
	Ricochete	Objetos podem ressaltar e causar lesões pessoais ou danos materiais.
	Não exponha à chuva	Não use este produto à chuva nem o deixe no exterior quando chover.
	CE	Este produto encontra-se em conformidade com as diretivas CE aplicáveis.
	REEE	Os resíduos elétricos não deverão ser eliminados juntamente com o lixo doméstico comum. Entregue-os num centro de reciclagem autorizado.

	Ruído	Nível de potência do som garantido. Emissão de ruído para o ambiente de acordo com a diretiva da Comunidade Europeia.
V	Volts	Voltagem
mm	Milímetro	Comprimento ou tamanho
kg	Quilograma	Peso

AVISOS DE SEGURANÇA GERAIS PARA FERRAMENTAS ELÉTRICAS

AVISO: Leia todos os avisos de segurança, instruções, ilustrações e especificações fornecidas com esta ferramenta elétrica. Não seguir todas as instruções apresentadas abaixo pode resultar em choque elétrico, incêndio e/ou lesões graves.

Guarde todos os avisos e instruções para futuras referências.

SEGURANÇA NA ÁREA DE TRABALHO

- **Mantenha a área de trabalho limpa e bem iluminada.** As áreas desarrumadas ou escuras convidam a acidentes.
- **Não ligue ferramentas elétricas em atmosferas explosivas, tal como na presença de líquidos inflamáveis, gases ou pó.** As ferramentas elétricas geram faíscas que podem provocar a ignição dos fumos ou pó.
- **Mantenha crianças e terceiros afastados durante a utilização de uma ferramenta elétrica.** As distrações podem fazer com que perca o controlo.

SEGURANÇA ELÉTRICA

- **Não exponha a ferramenta elétrica à chuva ou a condições húmidas.** A entrada de água numa ferramenta elétrica aumentará o risco de choque elétrico.

SEGURANÇA PESSOAL

- **Mantenha-se alerta, observe o que está a fazer e use senso comum quando estiver a trabalhar com uma ferramenta elétrica. Não utilize uma ferramenta elétrica enquanto estiver cansado ou sob o efeito de drogas, álcool ou medicação.** Um momento de falta de atenção enquanto trabalha com ferramentas elétricas pode resultar em lesões sérias.
- **Use sempre equipamento pessoal de proteção.** O equipamento pessoal de proteção, tal como proteção ocular, máscara de pó, calçado de segurança antiderrapante, capacete de segurança, ou proteção para os ouvidos, utilizado nas condições adequadas, reduzirá a hipótese de lesões.

- **Evite os arranques sem intenção. Certifique-se de que o interruptor se encontra na posição de desligado antes de ligar à alimentação e/ou bateria e antes de pegar ou transportar a ferramenta.** Transportar ferramentas elétricas com o dedo no interruptor ou alimentar ferramentas elétricas com o interruptor na posição de ligado convida a acidentes.

- **Retire qualquer chave de ajuste ou chave de fendas antes de ligar a ferramenta elétrica.** Uma chave de porcas ou uma chave deixada ligada a uma peça rotativa da ferramenta elétrica pode provocar uma lesão.

- **Não se estique. Mantenha sempre a base e o equilíbrio adequados.** Isto permite um melhor controlo da ferramenta elétrica em situações inesperadas.

- **Vista-se adequadamente. Não utilize roupa larga ou jóias. Mantenha o seu cabelo, roupa e luvas afastadas das peças móveis.** Roupas largas, jóias ou cabelo comprido podem ser apanhados pelas peças em movimento.

- **Se forem fornecidos dispositivos para a ligação de extração de pó e facilidades de recolha, certifique-se de que estes estão ligados e de que são devidamente utilizados.** A utilização de dispositivos de recolha de pó pode reduzir os perigos relacionados com o pó.

- **Não permita que a familiaridade ganha com a utilização de ferramentas o torne mais complacente e ignore os princípios de segurança da ferramenta.** Uma ação descuidada pode causar lesões severas numa fração de segundo.

UTILIZAÇÃO E CUIDADOS DA FERRAMENTA ELÉTRICA

- **Não force a ferramenta elétrica. Utilize a ferramenta elétrica correta para a utilização pretendida.** A ferramenta elétrica correta fará o trabalho melhor e de forma mais segura ao ritmo para o qual foi concebida.
- **Não utilize a ferramenta elétrica se o interruptor não a ligar ou desligar.** Qualquer ferramenta que não possa ser controlada com o interruptor é perigosa e deve ser reparada.
- **Retire a bateria, se amovível, da ferramenta elétrica e/ou ative qualquer dispositivo de desativação da bateria antes de libertar material obstruído, efetuar quaisquer ajustes, mudar de acessórios, limpar ou guardar ferramentas elétricas.** Tais medidas de segurança preventiva ajudam a reduzir os riscos de ligar inadvertidamente a ferramenta elétrica.

- **Guarde as ferramentas elétricas não utilizadas fora do alcance das crianças e não permita que pessoas não familiarizadas com a ferramenta elétrica ou com estas instruções utilizem a ferramenta elétrica.** As ferramentas elétricas são perigosas nas mãos de utilizadores sem formação.
- **Proceda à manutenção das ferramentas elétricas e acessórios.** Certifique-se de que as partes móveis não estão desalinhasadas ou bloqueadas, que não há peças quebradas ou qualquer outra condição que possa afetar o funcionamento da ferramenta elétrica. Se estiver danificada, leve a ferramenta elétrica para ser reparada antes da utilização. Muitos acidentes são provocados pela fraca manutenção das ferramentas elétricas.
- **Mantenha as ferramentas de corte afiadas e limpas.** Ferramentas devidamente mantidas com arestas de corte afiadas são menos fáceis de prender e mais fáceis de controlar.
- **Use a ferramenta elétrica, acessórios e brocas, etc., de acordo com estas instruções, tendo em conta as condições de trabalho e o trabalho a ser efetuado.** A utilização da ferramenta elétrica para operações diferentes daquelas para que foi criada pode dar origem a uma situação perigosa.
- **Mantenha as pegas e superfícies de segurar secas, limpas e sem óleo ou gordura.** Pegas e superfícies de segurar escorregadias não permitem o manuseamento seguro nem o controlo da ferramenta em situações inesperadas.

UTILIZAÇÃO E CUIDADOS DA FERRAMENTA COM A BATERIA

- **Recarregue apenas com o carregador especificado pelo fabricante.** Um carregador que seja adequado para um tipo de bateria pode criar um risco de incêndio quando usado com outra bateria.
- **Use ferramentas elétricas apenas com as baterias especificamente designadas.** A utilização de outras baterias pode criar um risco de ferimentos e incêndio.
- **Quando não usar a bateria, mantenha-a afastada de outros objetos de metais, como cliques de papel, moedas, chaves, pregos, parafusos ou outros pequenos objetos de metal que possam fazer a ligação entre os dois terminais.** Colocar os terminais da bateria em curto-circuito pode dar origem a queimaduras ou fogo.
- **Sob condições abusivas, pode ser ejetado líquido da bateria; evite o contacto. Se ocorrer contacto accidental, lave com água. Se o líquido entrar em**

contacto com os olhos, procure ajuda médica. O líquido ejetado da bateria pode provocar irritação ou queimaduras.

- **Não use a bateria nem a ferramenta se estiverem danificadas ou modificadas.** Baterias danificadas ou modificadas podem apresentar comportamentos imprevisíveis, dando origem a fogo, explosão ou risco de lesões.
- **Não exponha a bateria ou a ferramenta ao fogo ou temperatura excessiva.** A exposição ao fogo ou a temperaturas acima dos 100 °C pode causar uma explosão.
- **Siga todas as instruções de carregamento e não carregue a bateria nem a ferramenta a uma temperatura fora dos parâmetros especificados nas instruções.** Carregar incorretamente ou a temperaturas fora dos parâmetros especificados pode danificar a bateria e aumentar o risco de fogo.

AVISOS ADICIONAIS DE SEGURANÇA

Treino

- Leia as instruções cuidadosamente. Familiarize-se com os controlos e utilização adequada deste equipamento.
- Nunca permita que uma pessoa que não esteja familiarizada ou crianças com estas instruções utilizem o aparelho. As normas locais podem restringir a idade do operador.
- Nunca trabalhe com pessoas, especialmente crianças ou animais por perto.
- Tenha em mente que o operador ou utilizador é o responsável por acidentes ou riscos provocados a outras pessoas ou à sua propriedade.

Preparação

- Enquanto trabalha, utilize sempre calçado resistente e calças compridas. Não utilize o equipamento descalço ou de sandálias abertas.
- Inspeccione cuidadosamente a superfície onde vai utilizar o equipamento e retire quaisquer objetos que possam ser atirados pela máquina.
- Antes da utilização, inspeccione sempre visualmente se as ferramentas não estão gastas ou danificadas. Substitua elementos e parafusos gastos ou danificados em simultâneo, para preservar o equilíbrio.

Funcionamento

- Não utilize o aparelho em espaços confinados onde se possam amontoar fumos perigosos de monóxido de carbono.
- Trabalhe apenas à luz do dia ou com boa luz artificial.

- Garanta que possui sempre uma base para os pés equilibrada em locais inclinados.
- Caminhe, nunca corra com a máquina.
- Em máquinas rotativas com rodas, trabalhe em encostas de lado, nunca de cima para baixo.
- Tenha muito cuidado quando mudar de direção em locais inclinados.
- Não corte a relva em locais excessivamente inclinados.
- Tenha muito cuidado quando virar ou puxar a máquina na sua direção.
- Não mude as configurações do motor, nem aumente a velocidade do motor.
- Ligue o motor cuidadosamente, de acordo com as instruções do fabricante e com os pés bem afastados da ferramenta.
- Não coloque as mãos ou pés perto ou debaixo das peças rotativas.
- Nunca segure nem transporte uma máquina enquanto o motor estiver a funcionar.

OPERAÇÃO NUMA ENCOSTA:

Os locais inclinados são um fator importante relacionado com o problema de escorregar e cair que podem dar origem a lesões severas. Garanta que possui sempre uma base para os pés equilibrada em locais inclinados. O funcionamento em locais inclinados requer um cuidado extremo. Se se sentir inseguro num local inclinado não o use.

- Tenha cuidado com buracos, sulcos, rochas, objetos escondidos ou altos que possam fazê-lo escorregar ou cair. A relva alta pode ocultar obstáculos.

REPARAÇÃO

- **A manutenção da sua ferramenta elétrica deverá ser sempre efetuada por pessoas qualificadas, utilizando apenas peças sobresselentes idênticas.** Tal irá assegurar que a segurança da ferramenta elétrica é mantida.
- **Nunca tente reparar uma bateria danificada.** A reparação das baterias só deverá ser efetuada pelo fabricante ou por um reparador autorizado.

⚠ AVISO: Leia todos os avisos de segurança, instruções, ilustrações e especificações fornecidas com esta ferramenta elétrica. Não seguir todas as instruções apresentadas abaixo pode resultar em choque elétrico, incêndio e/ou lesões graves. Guarde todos os avisos e instruções para futuras referências.

- Utilize apenas com as baterias e carregadores listados na imagem A.

GUARDE ESTAS INSTRUÇÕES

CARACTERÍSTICAS TÉCNICAS

Diâmetro do tambor da escova	250 mm	
Faixa de limpeza	560 mm	
Temperatura de funcionamento recomendada	-15°C - 40°C	
Temperatura de armazenamento recomendada	-20°C - 70°C	
Peso (incluindo a proteção)	5,05 kg	
Nível de potência do som medido L_{WA}	91,4 dB(A) K=2,02 dB(A)	
Nível da pressão do som no ouvido do operador L_{PA}	82,8 dB(A) K=2,5 dB(A)	
Nível de potência do som garantido L_{WA} (medido de acordo com a norma 2000/14/CE)	93 dB(A)	
Avaliação da vibração a_h	Pega auxiliar dianteira	0,46 m/s ² K = 1,5 m/s ²
	Pega traseira	1,43 m/s ² K = 1,5 m/s ²

- As definições apresentadas anteriormente são testadas e medidas equipadas com a cabeça motora PH1400E.
- O valor total declarado da vibração foi medido de acordo com um método de teste padrão e pode ser usado para comparar duas ferramentas;
- O valor total declarado da vibração também pode ser usado numa avaliação preliminar da exposição.

AVISO: A emissão de vibrações durante a utilização da ferramenta elétrica pode diferir do valor declarado em que a ferramenta é usada. De modo a proteger o utilizador, este deverá usar luvas e proteção auditiva nas condições atuais de utilização.

LISTA DE PEÇAS

Acessório da escova de cerda	QUANTIDADE
NOME DA PEÇA	1
Rolo de escova	2
Eixo condutor	2
Proteção (com parafuso)	1
Chave sextavada	1
Cavilha	2
Cavilha de fixação	2
Manual do utilizador	1

DESCRIÇÃO

CONHEÇA O SEU ACESSÓRIO DE ESCOVA DE CERDA (Imagem A)

1. Tampão da extremidade
2. Eixo do acessório da escova de cerda
3. Proteção
4. Rolo de escova
5. Caixa do carreto
6. Cavilha
7. Chave sextavada

PT

MONTAGEM

⚠ AVISO: Se quaisquer peças estiverem danificadas ou em falta não utilize este produto até as peças serem substituídas. Utilizar este produto com peças danificadas ou em falta pode dar origem a lesões pessoais sérias.

⚠ AVISO: Não tente modificar este produto nem criar acessórios que não sejam recomendados para utilizar com esta máquina. Qualquer alteração ou modificação é considerada uma má utilização e pode dar origem a perigos, que podem levar a possíveis lesões pessoais sérias.

⚠ AVISO: Para evitar um arranque acidental que possa causar lesões pessoais sérias, retire sempre a bateria do conector da tomada durante a montagem das peças.

⚠ AVISO: Não ligue a escova de cerda à cabeça motora até que a montagem esteja completa. Se não o fizer, pode originar um arranque acidental e possíveis lesões pessoais sérias.

MONTAR A PROTEÇÃO

⚠ AVISO: Instale a proteção antes de ligar a escova de cerda à cabeça motora.

1. Desaperte e retire o parafuso da proteção com a chave sextavada fornecida (Imagem B).
2. Levante o eixo do acessório da escova de cerda e retire a tampa do eixo.
3. Alinhe a ranhura na proteção com a aba de metal na extremidade do eixo, passe a proteção pelo eixo até que os orifícios dos parafusos na proteção e no eixo fiquem alinhados (Imagem C e D).

Consulte a Imagem C e D em baixo para a descrição das peças:

C-1	Ranhura
C-2	Aba
D-1	Parafuso

4. Use a chave sextavada fornecida para apertar o parafuso no sentido dos ponteiros do relógio para fixar bem a proteção.

MONTAR OS ROLOS DE ESCOVA

1. Pressione o eixo condutor para o eixo secundário (Imagem E).

Imagem E: Descrição das peças apresentada abaixo:

E-1	Eixo secundário
E-2	Eixo condutor

2. Para fixar o eixo condutor no eixo secundário, insira a cavilha de fixação no orifício de fixação.

⚠ AVISO: A cavilha de fixação tem de ser instalada no respetivo lugar (Imagem F).

Consulte a Imagem F em baixo para a descrição das peças:

F-1	Cavilha de fixação
F-2	Orifício de fixação

3. Siga os mesmos passos para montar o outro eixo condutor.
4. Pressione o rolo de escova para o eixo condutor (Imagem G).

Imagem G: Descrição das peças apresentada abaixo:

G-1	Rolo de escova
G-2	Eixo condutor

5. Insira a cavilha no orifício na extremidade para fixar o rolo de escova no eixo condutor (Imagem H).

Imagem H: Descrição das peças apresentada abaixo:

H-1	Cavilha
-----	---------

6. Siga os mesmos passos para montar o outro rolo de escova.

LIGAR O ACESSÓRIO DA ESCOVA DE CERDA À CABEÇA MOTORA

⚠ AVISO: Nunca instale nem ajuste qualquer acessório enquanto a cabeça motora estiver a funcionar ou com a bateria instalada. Falha em parar o motor e retirar a bateria pode causar lesões pessoais sérias.

Este acessório da escova de cerda foi criado para ser usado com a cabeça motora EGO Power PH1400E.

1. Pare o motor e retire a bateria.
2. Desaperte a porca de asa no acoplador da cabeça motora.

- Se o tampão da extremidade estiver no eixo do acessório, retire-o e guarde-o num local seguro para futuras utilizações.

Alinhe a seta no eixo da escova de cerda com a seta no acoplador (Imagem I) e pressione o eixo da escova de cerda para o acoplador até ouvir um clique (Imagem J).

Imagem I: descrição das peças apresentada abaixo:

I-1	Botão de libertação do eixo
I-2	Seta no acoplador
I-3	Porca de asas
I-4	Seta no eixo de fixação
I-5	Linha vermelha

Imagem J: Descrição das peças apresentada abaixo:

J-1	Linha vermelha
-----	----------------

- Puxe ligeiramente o eixo do acessório da escova de cerda para se certificar de que está bem fixado no acoplador. Se não for o caso, mova o eixo da escova de cerda para trás e para a frente no acoplador até ouvir um clique, que indica que está fixado.
- Aperte bem a porca de asa.

AVISO: Certifique-se de que a porca de asa está completamente apertada antes de utilizar o equipamento. Verifique-o periodicamente quanto ao aperto durante a utilização, para evitar lesões pessoais sérias.

RETIRAR O ACESSÓRIO DA CABEÇA MOTORA

- Pare o motor e retire a bateria.
- Desaperte a porca de asa.
- Com o botão de libertação do eixo premido, puxe ou torça o eixo de fixação da escova de cerda para fora do acoplador para o retirar da cabeça motora.

FUNCIONAMENTO

AVISO: Não deixe que a sua familiaridade com o produto o torne descuidado. Lembre-se, uma fração de segundo de desatenção é suficiente para infligir ferimentos graves.

AVISO: Utilize sempre proteção ocular, juntamente com proteção auditiva. Se não o fizer, pode apanhar com objetos nos olhos, dando origem a possíveis lesões sérias.

AVISO: Não utilize quaisquer ligações ou acessórios não recomendados pelo fabricante deste produto. O uso de ligações ou acessórios não recomendados pode resultar em ferimentos pessoais graves.

APLICAÇÕES

Pode utilizar este produto com os intuitos listados em baixo:

- Limpeza de áreas e caminhos, incluindo superfícies desniveladas e com juntas.
- Limpeza de acessos, passeios e pátios de pavimento/betão/asfalto.

AVISO: Vista-se adequadamente para reduzir o risco de lesões quando utilizar este aparelho. Não utilize roupa larga ou jóias. Utilize proteção ocular. Utilize calças compridas e resistentes, botas e luvas. Não utilize roupa curta, sandálias nem ande descalço.

Se a superfície a ser limpa estiver seca, pulverize-a com água para reduzir a quantidade de pó criada.

Deverá trabalhar com a escova de cerda para a frente. Segure a escova de cerda com uma mão na pega traseira e a outra mão na pega auxiliar dianteira. Agarre firmemente com ambas as mãos durante a utilização da escova de cerda.

Segure e oriente a escova de cerda num ângulo raso. Se a escova de cerda for segurada num ângulo muito aberto, tende a fugir na direção do operador.

Mantenha a segurança e equilíbrio em ambos os pés (Imagem K).

Os materiais atirados podem lesionar seriamente o operador ou terceiros. Para reduzir o risco de lesões pessoais, é essencial tomar as seguintes precauções:

- Segure sempre a escova de cerda com ambas as mãos durante a utilização. Segure bem ambas as pegas.
- Mova a escova de cerda para a área de trabalho antes de começar, e ligue a escova de cerda a baixa velocidade.
- Para reduzir o risco de lesões devido à perda de controlo, segure e oriente a escova de cerda a um ângulo raso. Se a escova de cerda for segurada num ângulo muito aberto, tende a fugir na direção do operador.

Antes de cada utilização, verifique se existem peças gastas ou danificadas.

Verifique o rolo de escova, proteção, pega dianteira e eixo condutor e substitua as peças rachadas, torcidas, dobradas ou danificadas de algum modo.

Limpe a escova de cerda após cada utilização.

Consulte a secção Manutenção para obter instruções de limpeza.

LIGAR/DESLIGAR A FERRAMENTA

Consulte a secção “LIGAR/DESLIGAR A CABEÇA MOTORA” no manual de utilização da cabeça motora PH1400E.

MANUTENÇÃO

AVISO: Quando fizer reparações, utilize apenas peças de substituição idênticas. A utilização de outras peças pode dar origem a perigos ou danos no produto. Para assegurar a segurança e bom funcionamento, todas as reparações deverão ser efetuadas por um técnico de reparação qualificado.

PT

AVISO: As ferramentas que funcionam a bateria não têm de ser ligadas a uma tomada elétrica; assim, estão sempre em estado de funcionamento. Para evitar lesões pessoais sérias, tenha muito cuidado quando efetuar a manutenção, reparação ou mudança do acessório de corte ou de outros acessórios.

AVISO: Para evitar lesões pessoais sérias, retire a bateria da cabeça motora e espere que o rolo de escova pare por completo antes de efetuar a reparação, limpeza, mudar de acessórios ou quando não utilizar o produto.

MANUTENÇÃO GERAL

AVISO: Nunca permita que o líquido dos travões, gasolina, produtos à base de petróleo, óleos penetrantes, etc., entrem em contacto com as peças de plástico. Os químicos podem danificar, enfraquecer ou destruir o plástico, o que pode dar origem a lesões pessoais sérias.

AVISO: Quando limpar o acessório da escova de cerda, NÃO mergulhe em água ou outros líquidos. Não use uma máquina de lavagem de pressão para lavar a sua máquina. O jato de água pode danificar as peças da máquina.

MANUTENÇÃO DO ROLO DE ESCOVA

- Limpe frequentemente o rolo de escova.
- Se precisar de substituir um rolo de escova devido a danos, substitua todos os rolos de escova, para um melhor desempenho.

Todas as reparações na escova de cerda para além dos itens listados nestas instruções de manutenção deverão ser efetuadas por um técnico de reparação qualificado.

SUBSTITUIÇÃO DOS ROLOS DE ESCOVA

AVISO: Um rolo de escova danificado pode partir-se em pedaços passado um longo período de tempo de utilização, o que pode dar origem a projéteis perigosos. Os objetos atirados podem causar lesões sérias. Inspeção regularmente e não utilize a escova de cerda com peças gastas ou danificadas.

Para retirar (Imagem L)

1. Retire a cavilha da extremidade do eixo condutor.

2. Puxe o rolo de escova juntamente com a placa de cobertura para fora do eixo condutor.
3. Se o eixo condutor ficar danificado, retire a cavilha de fixação do orifício do eixo condutor e puxe o eixo condutor para fora do eixo secundário (Imagem M).
4. Se a placa de cobertura estiver danificada, retire-a do rolo de escova e substitua-a.
5. Siga os mesmos passos para retirar o outro rolo de escova.

Imagem L: Descrição das peças apresentada abaixo:

L-1	Eixo secundário	L-4	Cavilha
L-2	Cavilha de fixação	L-5	Placa de cobertura
L-3	Rolo de escova	L-6	Eixo condutor

Para instalar

1. Instale o eixo condutor no eixo secundário e insira a cavilha de fixação no orifício do eixo condutor (consulte a Imagem F).
2. Instale a placa de cobertura no rolo de escova com a aba na placa alinhada com o orifício no rolo de escova (Imagem N).

Imagem N: Descrição das peças apresentada abaixo:

N-1	Orifício
N-2	Aba

3. Pressione o rolo de escova para o eixo condutor (consulte a Imagem G).
4. Insira a cavilha no orifício na extremidade do eixo condutor, e dobre por completo.
5. Siga os mesmos passos para montar o outro rolo de escova.

AVISO: Substitua sempre ambos os rolos de escova em simultâneo.

LIMPEZA DA UNIDADE

- Retire a bateria.
- Retire as raízes, terra presa ou plantas dos rolos de escova, proteção ou caixa do carroto. Para uma limpeza completa, retire os rolos de escova e a proteção para os limpar bem. Para passos de substituição detalhados, consulte a secção apresentada anteriormente “**SUBSTITUIÇÃO DOS ROLOS DE ESCOVA**”.
- Mantenha a área de trabalho livre de obstruções.

GUARDAR A UNIDADE

- Retire a bateria da ferramenta.

- Limpe bem a ferramenta e inspecione os rolos de escova.
- Retire o acessório da escova de cerda da cabeça motora e cubra o eixo do acessório com o tampão da extremidade para evitar que a sujidade entre no acoplador.
- Guarde a ferramenta num local seco, bem ventilado, trancado ou elevado, fora do alcance das crianças. Não guarde a unidade em cima ou perto de fertilizantes, gasolina ou outros químicos.

Proteção do ambiente



Não elimine equipamento elétrico, carregador da bateria e baterias/baterias recarregáveis juntamente com o lixo doméstico comum! De acordo com a norma europeia 2012/19/UE, o equipamento elétrico e eletrónico que deixe de ser usado e, de acordo com a norma europeia 2006/66/CE, as baterias gastas ou defeituosas têm de ser recolhidas em separado. Se os equipamentos elétricos forem eliminados em aterros ou lixeiras, substâncias perigosas podem vazarem para os lençóis freáticos e entrar na cadeia de alimentação, danificando a sua saúde e bem-estar.

PT

RESOLUÇÃO DE PROBLEMAS

PT

PROBLEMA	CAUSA	SOLUÇÃO
A escova de cerda não pega.	<ul style="list-style-type: none">■ A bateria não foi colocada corretamente na cabeça motora.■ Não existe contacto elétrico entre a cabeça motora e a bateria.■ A bateria está gasta.■ A alavanca de bloqueio e o gatilho da cabeça motora não foram premidos em simultâneo.■ Continua sem funcionar, sem qualquer uma das razões anteriores.	<ul style="list-style-type: none">■ Ixe a bateria na cabeça motora.■ Retire a bateria, verifique os contactos e volte a instalar a bateria até ficar fixada no respetivo lugar.■ Carregue a bateria com um carregador EGO listado neste manual.■ Prima a alavanca de desbloqueio e mantenha premida, depois prima o gatilho para ligar.■ Contacte o serviço de apoio ao cliente da EGO.
A escova de cerda está obviamente danificada.	<ul style="list-style-type: none">■ Dano anormal durante o transporte ou uso.	<ul style="list-style-type: none">■ Contacte o serviço de apoio ao cliente da EGO.
A escova de cerda pára enquanto está a escovar.	<ul style="list-style-type: none">■ O motor está sobrecarregado.■ A bateria ou cabeça motora estão muito quentes.■ A bateria foi retirada da ferramenta.■ A bateria está gasta.■ Continua sem funcionar, sem qualquer uma das razões anteriores.	<ul style="list-style-type: none">■ O motor recupera quando a carga for retirada. Para um funcionamento contínuo, diminua a carga na escova de cerda.■ Deixe a bateria ou a cabeça motora arrefecer até que a temperatura desça abaixo dos 67 °C.■ Volte a colocar a bateria.■ Carregue a bateria com um carregador EGO listado neste manual.■ Contacte o serviço de apoio ao cliente da EGO.

FGARANTIA

POLÍTICA DE GARANTIA EGO

Visite o website egopowerplus.com para os termos e condições completos da política de garantia da EGO.

LEGGERE TUTTE LE ISTRUZIONI!



LEGGERE IL MANUALE DI ISTRUZIONI

⚠️ Rischi residui! Le persone portatrici di dispositivi elettronici, ad esempio pacemaker, devono consultare il proprio medico prima di usare questo prodotto. L'uso di apparecchi elettrici in prossimità di pacemaker cardiaci comporta il rischio di interferenze o malfunzionamento del pacemaker.

⚠️ AVVERTENZA! Per garantire sicurezza e affidabilità, tutte le riparazioni e sostituzioni devono essere eseguite da un tecnico qualificato.

SIMBOLI DI SICUREZZA

Lo scopo dei simboli di sicurezza è attirare l'attenzione dell'operatore su possibili pericoli. I simboli di sicurezza e le relative spiegazioni richiedono la massima attenzione e comprensione da parte dell'operatore. Le avvertenze espresse dai simboli, da sole, non eliminano tutti i rischi. Le istruzioni e le avvertenze non sostituiscono le adeguate misure di prevenzione contro gli incidenti.

⚠️ AVVERTENZA! Accertarsi di aver letto e compreso tutte le istruzioni di sicurezza in questo manuale, inclusi tutti i simboli di avvertenza come **“PERICOLO”**, **“AVVERTENZA”** e **“ATTENZIONE”**, prima di usare questo apparecchio. Il mancato rispetto di tutte le istruzioni elencate di seguito comporta il rischio di scossa elettrica, incendio e/o lesioni gravi.

SIGNIFICATO DEI SIMBOLI

⚠️ SIMBOLO DI AVVERTENZA: indica **PERICOLO**, **AVVERTENZA** o **ATTENZIONE**; può essere usato in combinazione con altri simboli o icone.



⚠️ AVVERTENZA! L'uso di apparecchi elettrici può causare il lancio di oggetti estranei verso l'operatore, con il rischio di lesioni gravi agli occhi. Durante l'uso dell'apparecchio, indossare sempre occhiali protettivi o occhiali di sicurezza con protezioni laterali e, se necessario, una maschera facciale. Si consiglia di indossare una maschera di sicurezza con ampio campo visivo sopra gli occhiali o occhiali di sicurezza standard con protezioni laterali.

AVVERTENZE DI SICUREZZA

Questa pagina illustra e descrive i simboli di sicurezza che possono comparire sul prodotto. Leggere, comprendere e seguire tutte le istruzioni sull'apparecchio prima di tentare di assemblarlo e ripararlo.

	Avvertenza di sicurezza	Indica un potenziale rischio di infortunio.
	Leggere il manuale di istruzioni	Per ridurre il rischio di infortunio, l'utente deve leggere e comprendere tutte le istruzioni prima di usare questo prodotto.
	Indossare protezioni per gli occhi	Durante l'uso del prodotto, indossare sempre occhiali protettivi o occhiali di sicurezza con protezioni laterali e una maschera facciale.
	Tenere lontane le altre persone	Tenere le altre persone a distanza di sicurezza
	Indossare guanti protettivi	Proteggere le mani con i guanti durante la manipolazione delle lame. Guanti robusti e antiscivolo migliorano la presa e proteggono le mani dell'operatore.
	Indossare calzature di sicurezza	Indossare calzature di sicurezza antiscivolo durante l'uso di questo apparecchio.
	Rimbalzo	Gli oggetti lanciati possono rimbalzare e causare danni o lesioni.
	Non esporre alla pioggia	Non usare l'apparecchio in caso di pioggia e non lasciarlo all'aperto quando piove.
	CE	Questo prodotto è conforme alle direttive europee applicabili.
	RAEE	I prodotti elettrici non devono essere smaltiti insieme ai rifiuti domestici. Portarli presso un centro di riciclaggio autorizzato.

IT

	Rumorosità	Livello di potenza sonora garantito. Emissione di rumore nell'ambiente conforme alla direttiva dell'Unione europea.
V	Volt	Tensione
mm	Millimetro	Lunghezza o dimensioni
kg	Chilogrammo	Peso

IT

AVVERTENZE DI SICUREZZA COMUNI A TUTTI GLI UTENSILI ELETTRICI

⚠ AVVERTENZA! Leggere tutte le avvertenze di sicurezza, le istruzioni, le illustrazioni e le specifiche fornite insieme a questo utensile elettrico. Il mancato rispetto delle istruzioni sotto riportate comporta il rischio di scossa elettrica, incendio e/o gravi infortuni.

Conservare tutte le avvertenze e le istruzioni per futuro riferimento.

SICUREZZA DELL'AREA DI LAVORO

- **Mantenere l'area di lavoro pulita e ben illuminata.** Il disordine e la scarsa illuminazione favoriscono gli incidenti.
- **Non usare gli utensili elettrici in atmosfere esplosive, ad esempio in presenza di liquidi, gas o polveri infiammabili.** Gli utensili elettrici creano scintille che possono incendiare polveri o fumi.
- **Durante l'uso dell'utensile elettrico, tenere a distanza i bambini e le persone presenti.** Le distrazioni possono far perdere il controllo dell'utensile.

SICUREZZA ELETTRICA

- **Non esporre gli utensili elettrici a pioggia o umidità.** L'infiltrazione di acqua all'interno di un utensile elettrico aumenta il rischio di scossa elettrica.

SICUREZZA PERSONALE

- **Durante l'uso di un utensile elettrico, prestare sempre la massima attenzione e utilizzare il buon senso. Non usare un utensile elettrico se si è stanchi o sotto l'effetto di droghe, alcol o farmaci.** Anche un solo momento di disattenzione durante l'uso dell'utensile elettrico può provocare gravi infortuni.
- **Indossare dispositivi di protezione individuale.** I dispositivi di protezione individuali come occhiali di sicurezza, maschere antipolvere, calzature antiscivolo, caschi e cuffie per le orecchie, se utilizzati quando le circostanze lo richiedono, riducono il rischio di infortuni.

- **Prevenire l'avvio accidentale. Assicurarsi che l'interruttore sia in posizione di arresto prima di sollevare, trasportare o collegare l'utensile elettrico alla presa di corrente e/o alla batteria.** Per ridurre il rischio di incidenti, non trasportare gli utensili elettrici tenendo le dita sull'interruttore e non collegarli alla fonte di alimentazione se l'interruttore è in posizione di avvio.
- **Rimuovere eventuali chiavi di serraggio prima di avviare l'utensile elettrico.** Una chiave di serraggio rimasta inserita in un elemento mobile dell'utensile elettrico può provocare infortuni.
- **Non allungarsi eccessivamente. Tenere i piedi a contatto con il pavimento e mantenere sempre l'equilibrio.** Ciò assicura un miglior controllo dell'utensile elettrico in situazioni impreviste.
- **Vestirsi in modo adeguato. Non indossare indumenti ampi o gioielli. Tenere capelli, indumenti e guanti lontani dalle parti in movimento.** Indumenti ampi, gioielli o capelli lunghi possono rimanere impigliati nelle parti in movimento.
- **Se sono disponibili dei dispositivi per l'estrazione e la raccolta delle polveri, assicurarsi che siano collegati e utilizzati correttamente.** L'uso di tali dispositivi può ridurre i rischi connessi alle polveri.
- **Non lasciare che la familiarità con l'apparecchio (derivata da un uso frequente) abbassi il livello di attenzione.** Anche una minima distrazione può causare gravi infortuni.

USO E MANUTENZIONE DELL'UTENSILE ELETTRICO

- **Non forzare l'utensile elettrico. Utilizzare l'utensile più adatto al lavoro da svolgere.** Un utensile elettrico corretto è più sicuro ed efficace al regime per cui è stato progettato.
- **Non usare l'utensile elettrico se l'interruttore non funziona correttamente.** Un utensile elettrico che non può essere controllato dall'interruttore è pericoloso e deve essere riparato.
- **Rimuovere il gruppo batteria, se removibile, e/o attivare eventuali dispositivi di scollegamento della batteria prima di riporre l'utensile, pulirlo, regolarlo, sostituire gli accessori o rimuovere materiali incastrati.** Tali misure preventive riducono il rischio di avvio accidentale dell'utensile elettrico.
- **Riporre gli utensili elettrici fuori dalla portata dei bambini e non permetterne l'uso a persone che non hanno familiarità con l'apparecchio o con queste istruzioni.** Gli utensili elettrici sono pericolosi se utilizzati da persone non competenti.

- **Mantenere gli utensili elettrici e gli accessori in buono stato. Verificare che le parti mobili non siano disallineate o inceppate, che i componenti non siano danneggiati e che non siano presenti altri problemi che potrebbero pregiudicare il corretto funzionamento dell'utensile elettrico. Se l'utensile elettrico è danneggiato, farlo riparare prima di utilizzarlo nuovamente.** Numerosi incidenti sono causati da utensili elettrici e accessori in cattive condizioni.
- **Mantenere gli accessori di taglio puliti e affilati.** Un'adeguata manutenzione e affilatura degli accessori da taglio riduce il rischio di inceppamento e facilita il controllo dell'utensile elettrico.
- **Usare l'utensile elettrico, gli accessori, le punte ecc. conformemente a queste istruzioni, tenendo conto delle condizioni dell'area di lavoro e del tipo di lavoro da svolgere.** L'uso dell'utensile elettrico per operazioni diverse da quelle per cui è progettato può comportare situazioni di pericolo.
- **Mantenere le impugnature e le superfici di presa asciutte, pulite e prive di olio o grasso.** Impugnature e superfici di presa scivolose non garantiscono l'uso sicuro e il controllo dell'utensile in situazioni impreviste.

USO E MANUTENZIONE DEGLI UTENSILI A BATTERIA

- **Ricaricare la batteria esclusivamente con il caricabatteria specificato dal costruttore.** Un caricabatteria adatto a un certo tipo di batteria comporta il rischio di incendio se usato con un altro tipo di batteria.
- **Usare esclusivamente gruppi batteria progettati specificamente per questo utensile elettrico.** L'uso di altri gruppi batteria comporta il rischio di incendio e infortunio.
- **Quando il gruppo batteria non è in uso, tenerlo lontano da piccoli oggetti metallici, ad esempio graffette, monete, chiavi, chiodi, viti ecc. poiché potrebbero creare un collegamento tra i due terminali.** Il cortocircuito dei terminali della batteria comporta il rischio di incendio o ustioni.
- **L'utilizzo improprio può causare fuoriuscite di liquido dalla batteria: evitare il contatto con tale liquido. In caso di contatto accidentale, lavare con acqua. Se il liquido entra a contatto con gli occhi, consultare un medico.** Il liquido fuoriuscito dalla batteria può causare irritazioni o ustioni.
- **Non usare gruppi batteria o utensili danneggiati o modificati.** Le batterie danneggiate o modificate possono manifestare comportamenti imprevisti, con il rischio di incendio, esplosione o infortunio.

- **Non esporre il gruppo batteria o l'utensile a fiamme o temperature eccessive.** L'esposizione a fiamme o temperature superiori a 100°C comporta il rischio di esplosione.
- **Rispettare tutte le istruzioni relative alla ricarica e non ricaricare il gruppo batteria o l'utensile a temperature diverse da quelle specificate nelle istruzioni.** Una ricarica eseguita in modo improprio o a temperature diverse da quelle specificate può danneggiare la batteria e aumentare il rischio di incendio.

IT

AVVERTENZE DI SICUREZZA AGGIUNTIVE

Formazione all'uso

- Leggere attentamente le istruzioni. Familiarizzarsi con i comandi e l'uso corretto dell'apparecchio.
- Non consentire l'uso dell'apparecchio a bambini o persone che non hanno letto queste istruzioni. Le normative locali possono limitare l'uso in base all'età dell'operatore.
- Non usare l'apparecchio in prossimità di altre persone, in particolare bambini, o animali.
- Tenere presente che l'operatore o utente è responsabile per incidenti o rischi causati ad altre persone o proprietà.

Preparazione

- Durante l'uso dell'apparecchio, indossare sempre scarpe robuste e pantaloni lunghi. Non usare l'apparecchio a piedi nudi o indossando sandali.
- Ispezionare accuratamente l'area di lavoro e rimuovere tutti gli oggetti che potrebbero essere lanciati dall'apparecchio.
- Prima dell'uso, ispezionare visivamente l'apparecchio per verificare che gli accessori non siano usurati o danneggiati. Sostituire i componenti usurati o danneggiati e i bulloni in gruppo per mantenere l'apparecchio bilanciato.

Utilizzo

- Non usare l'apparecchio in ambienti chiusi, dove possono accumularsi vapori di anidride carbonica.
- Usare l'apparecchio solo alla luce del giorno o con una buona illuminazione artificiale.
- Puntare bene i piedi sui terreni in pendenza.
- Camminare e non correre.
- Su terreni in pendenza, lavorare sempre perpendicolarmente alla discesa, mai verso l'alto o verso il basso.

- Prestare particolare attenzione quando si cambia direzione sui terreni in pendenza.
- Non usare l'apparecchio se la pendenza del terreno è eccessiva.
- Prestare particolare attenzione quando si inverte la direzione dell'apparecchio o lo si tira verso di sé.
- Non modificare le impostazioni predefinite del motore e non utilizzarlo a una velocità eccessiva.
- Avviare il motore con attenzione e conformemente alle istruzioni, tenendo i piedi lontani dall'accessorio.
- Non posizionare mani o piedi in prossimità o sotto le parti in rotazione.
- Non sollevare o trasportare l'apparecchio quando il motore è in funzione.

USO SU TERRENI PENDENTI

I terreni in pendenza hanno un ruolo primario negli incidenti relativi a scivolamenti e cadute, che comportano il rischio di lesioni gravi. Puntare bene i piedi sui terreni in pendenza. Le operazioni su terreni in pendenza richiedono estrema cautela. Se si è insicuri su un terreno in pendenza, non usare l'apparecchio.

- Prestare attenzione a buche, solchi, pietre, oggetti nascosti o protuberanze che possono causare scivolamenti o cadute. L'erba alta può nascondere eventuali ostacoli.

RIPARAZIONI

- **Affidare la riparazione dell'utensile a personale qualificato e utilizzare esclusivamente parti di ricambio identiche.** Ciò garantisce la sicurezza dell'utensile elettrico.
- **Non riparare gruppi batteria danneggiati.** La riparazione dei gruppi batteria deve essere effettuata esclusivamente dal costruttore o da un centro di assistenza autorizzato.

⚠ AVVERTENZA! Leggere tutte le avvertenze di sicurezza, le istruzioni, le illustrazioni e le specifiche fornite insieme a questo utensile elettrico. Il mancato rispetto delle istruzioni sotto riportate comporta il rischio di scossa elettrica, incendio e/o gravi infortuni. Conservare tutte le avvertenze e le istruzioni per futuro riferimento.

- Usare esclusivamente con i gruppi batteria e i caricabatteria elencati in fig. A.

CONSERVARE QUESTE ISTRUZIONI

SPECIFICHE TECNICHE

Diametro del tamburo della spazzola	250 mm	
Ampiezza di pulizia	560 mm	
Temperatura di funzionamento raccomandata	Da -15°C a 40°C	
Temperatura di conservazione raccomandata	Da -20°C a 70°C	
Peso (protezione inclusa)	5,05 kg	
Livello di potenza sonora misurato L_{WA}	91,4 dB (A) K = 2,02 dB (A)	
Livello di pressione sonora a livello dell'orecchio dell'operatore L_{PA}	82,8 dB (A) K = 2,5 dB (A)	
Livello di potenza sonora garantito L_{WA} (misurazione conforme a 2000/14/EC)	93 dB (A)	
Valore di vibrazioni a_h	Impugnatura anteriore ausiliaria	0,46 m/s ² K=1,5 m/s ²
	Impugnatura posteriore	1,43 m/s ² K=1,5 m/s ²

- I parametri sopra riportati sono stati collaudati e misurati in combinazione con la testa motore PH1400E.
- Il valore totale dichiarato delle vibrazioni è stato misurato con un metodo di valutazione standard e può essere utilizzato per confrontare l'apparecchio con altri prodotti analoghi.
- Il valore totale di vibrazioni indicato può essere utilizzato anche per una valutazione preliminare dei livelli di esposizione.

NOTA: l'emissione di vibrazioni durante l'uso effettivo dell'apparecchio può variare rispetto al valore indicato in base a come viene utilizzato l'utensile. Per proteggersi, l'operatore deve indossare guanti e dispositivi di protezione per le orecchie in base alle reali condizioni d'uso.

CONTENUTO DELLA CONFEZIONE

NOME COMPONENTE	QUANTITÀ
Accessorio spazzola a rullo	1
Spazzola a rullo	2
Supporto per spazzola	2
Protezione (con bullone)	1
Chiave esagonale	1
Coppiglia	2
Perno di bloccaggio	2
Manuale di istruzioni	1

DESCRIZIONE

DESCRIZIONE DELL'ACCESSORIO SPAZZOLA A RULLO (Fig. A)

1. Cappuccio terminale
2. Asta dell'accessorio spazzola a rullo
3. Protezione
4. Spazzola a rullo
5. Scatola ingranaggi
6. Coppiglia
7. Chiave esagonale

ASSEMBLAGGIO

AVVERTENZA! In caso di componenti danneggiati o mancanti, non usare l'apparecchio finché i componenti non vengono sostituiti. L'uso dell'apparecchio con componenti danneggiati o mancanti comporta il rischio di lesioni gravi.

AVVERTENZA! Non tentare di modificare l'apparecchio o creare accessori non raccomandati per l'uso con questo apparecchio. Tali alterazioni o modifiche costituiscono un uso improprio e comportano condizioni pericolose e il rischio di lesioni gravi.

AVVERTENZA! Per evitare l'avvio accidentale e il conseguente rischio di lesioni gravi, scollegare sempre il connettore della batteria dalla presa durante l'assemblaggio dei componenti.

AVVERTENZA! Non collegare la spazzola a rullo all'unità motore finché l'assemblaggio non è terminato per evitare l'avvio accidentale e il rischio di lesioni gravi.

INSTALLAZIONE DELLA PROTEZIONE

AVVERTENZA! Installare la protezione prima di collegare l'accessorio spazzola a rullo all'unità motore.

1. Allentare e rimuovere il bullone sulla protezione con la chiave esagonale fornita (Fig. B).
2. Sollevare l'asta dell'accessorio spazzola a rullo e rimuovere il cappuccio terminale dall'asta.
3. Allineare la fessura sulla protezione con la sporgenza sull'estremità dell'asta, quindi infilare la protezione attraverso l'asta finché il foro della vite sulla protezione non è allineato con quello sull'asta (Fig. C e D).

Descrizione delle parti in Fig. C e D:

C-1	Fessura
C-2	Sporgenza
D-1	Bullone

4. Usando la chiave esagonale fornita, serrare il bullone in senso orario per bloccare la protezione in posizione.

INSTALLAZIONE DELLE SPAZZOLE A RULLO

1. Infilare il supporto per spazzola sull'asse condotto (Fig. E).
Descrizione delle parti in Fig. E:

E-1	Asse condotto
E-2	Supporto per spazzola

2. Per fissare il supporto per spazzola all'asse condotto, inserire il perno di bloccaggio nel foro di bloccaggio.

NOTA: Il perno di bloccaggio deve essere bloccato in posizione (Fig. F).

Descrizione delle parti in Fig. F:

F-1	Perno di bloccaggio
F-2	Foro di bloccaggio

3. Procedere allo stesso modo per installare l'altro supporto per spazzola.
4. Infilare la spazzola a rullo sul supporto per spazzola (Fig. G).

Descrizione delle parti in Fig. G:

G-1	Spazzola a rullo
G-2	Supporto per spazzola

5. Inserire la coppiglia nel foro all'estremità della spazzola a rullo per fissarla sul supporto (Fig. H).

Descrizione delle parti in Fig. H:

H-1	Coppiglia
-----	-----------

6. Procedere allo stesso modo per installare l'altra spazzola.

COLLEGAMENTO DELL'ACCESSORIO SPAZZOLA A RULLO ALL'UNITÀ MOTORE

AVVERTENZA! Non installare o regolare un accessorio quando l'unità motore è in funzione o con la batteria installata. In caso contrario, sussiste il rischio di lesioni gravi.

Questo accessorio spazzola a rullo è progettato per l'uso con l'unità motore EGO PH1400E.

1. Arrestare il motore e rimuovere il gruppo batteria.
2. Allentare la manopola sul raccordo dell'unità motore.
3. Se sull'asta dell'accessorio è presente il cappuccio terminale, rimuoverlo e conservarlo in un luogo sicuro per uso futuro.

Allineare la freccia sull'asta dell'accessorio con la freccia sul raccordo (Fig. I) e spingere l'asta dell'accessorio nel raccordo fino al "clic" (Fig. J).

Descrizione delle parti in Fig. I:

I-1	Pulsante di rilascio dell'asta
I-2	Freccia sul raccordo
I-3	Manopola di fissaggio
I-4	Freccia sull'asta dell'accessorio
I-5	Linea rossa

Descrizione delle parti in Fig. J:

J-1	Linea rossa
-----	-------------

4. Tirare leggermente l'asta dell'accessorio per verificare che sia fissata saldamente nel raccordo. In caso contrario, spostare l'asta dell'accessorio avanti e indietro nel raccordo fino al "clic", che indica il corretto fissaggio.
5. Serrare la manopola saldamente.

⚠ AVVERTENZA! Accertarsi che la manopola sul raccordo sia serrata completamente prima di usare l'apparecchio; controllare periodicamente che sia serrata durante l'uso per evitare il rischio di lesioni gravi.

RIMOZIONE DELL'ACCESSORIO DALL'UNITÀ MOTORE

1. Arrestare il motore e rimuovere il gruppo batteria.
2. Allentare la manopola di fissaggio.
3. Tenendo premuto il pulsante di rilascio dell'asta, tirare o ruotare l'asta dell'accessorio per estrarla dal raccordo e separarla dall'unità motore.

UTILIZZO

⚠ AVVERTENZA! La familiarità con questo apparecchio non deve rendere l'operatore disattento. Anche un solo momento di disattenzione comporta il rischio di lesioni gravi.

⚠ AVVERTENZA! Indossare sempre protezioni per gli occhi e protezioni per le orecchie. Il mancato rispetto di questa istruzione comporta il rischio di oggetti proiettati verso gli occhi dell'operatore e altre lesioni gravi.

⚠ AVVERTENZA! Non usare accessori non raccomandati dal costruttore dell'apparecchio. L'uso di accessori non raccomandati comporta il rischio di lesioni gravi.

ADESTINAZIONE D'USO

Questo prodotto può essere usato per gli scopi elencati di seguito.

- Pulizia di aree e vialetti, incluse superfici irregolari o giuntate.
- Pulizia di vialetti, marciapiedi e superfici in cemento/asfalto.

⚠ AVVERTENZA! Vestirsi adeguatamente per ridurre il rischio di infortunio durante l'uso dell'utensile. Non indossare indumenti ampi o gioielli. Indossare dispositivi di protezione per gli occhi. Indossare pantaloni lunghi e pesanti, stivali e guanti. Non indossare pantaloni corti o sandali e non usare l'apparecchio a piedi nudi.

Se la superficie da pulire è asciutta, spruzzarla con dell'acqua per ridurre la quantità di polvere creata.

Lavorare muovendo la spazzola a rullo in avanti. Tenere sempre la spazzola a rullo con una mano sull'impugnatura posteriore e l'altra mano sull'impugnatura ausiliaria anteriore. Mantenere una presa salda con entrambe le mani durante l'uso della spazzola a rullo.

Impugnare e guidare la spazzola a rullo a un angolo radente. Se la spazzola a rullo viene tenuta eccessivamente inclinata, tenderà a tornare verso l'operatore.

Mantenere una presa salda e un buon equilibrio (Fig. K).

I materiali lanciati possono ferire gravemente l'operatore o le persone presenti. Per ridurre il rischio di lesioni personali, è essenziale rispettare le precauzioni elencate di seguito.

- Impugnare saldamente la spazzola a rullo con entrambe le mani durante l'uso. Mantenere una presa salda su entrambe le impugnature.
- Trasportare la spazzola a rullo sull'area di lavoro prima di avviarla, e avviarla a una velocità ridotta.
- Per ridurre il rischio di infortuni dovuti a una perdita di controllo, impugnare e guidare la spazzola a rullo a un angolo radente. Se la spazzola a rullo viene tenuta eccessivamente inclinata, tenderà a tornare verso l'operatore.

Prima di ogni utilizzo, verificare l'assenza di componenti danneggiati/usurati

Ispezionare la spazzola a rullo, la protezione, l'impugnatura frontale ausiliaria e il supporto per spazzola e sostituire i componenti incrinati, deformati, piegati o danneggiati in qualsiasi modo.

Pulire la spazzola a rullo dopo ogni utilizzo.

Consultare la sezione Manutenzione per le istruzioni relative alla pulizia.

AVVIO/ARRESTO DELL'UTENSILE

Consultare la sezione "AVVIO/ARRESTO DELL'UNITÀ MOTORE" nel manuale di istruzioni dell'unità motore PH1400E.

MANUTENZIONE

⚠ AVVERTENZA! Per la riparazione dell'apparecchio, usare esclusivamente parti di ricambio identiche. L'uso di altri ricambi comporta situazioni pericolose o il rischio di danni all'apparecchio. Per garantire sicurezza e affidabilità, tutte le riparazioni e le sostituzioni devono essere eseguite da un tecnico qualificato.

⚠ AVVERTENZA! Gli apparecchi a batteria non hanno bisogno di essere collegati a un impianto elettrico; pertanto sono sempre in condizioni operative. Per evitare lesioni gravi, prestare particolare attenzione durante le operazioni di manutenzione o riparazione e la sostituzione dell'accessorio di taglio o di altri accessori.

⚠ AVVERTENZA! Per evitare il rischio lesioni gravi, rimuovere il gruppo batteria dall'unità motore e attendere che la spazzola a rullo si arresti prima di pulirla, ripararla o sostituire gli accessori o quando l'apparecchio non è in uso.

MANUTENZIONE GENERALE

⚠ AVVERTENZA! Impedire il contatto di liquido per freni, benzina, prodotti a base di petrolio, oli penetranti, ecc. con le parti in plastica. Le sostanze chimiche possono danneggiare, indebolire o distruggere la plastica, comportando il rischio di lesioni gravi.

⚠ AVVERTENZA! Durante la pulizia dell'accessorio spazzola a rullo, NON immergerlo in acqua o altri liquidi. Non lavare l'apparecchio con un'idropulitrice ad alta pressione. Il getto d'acqua ad alta pressione può danneggiare i componenti dell'apparecchio.

MANUTENZIONE DELLA SPAZZOLA A RULLO

- Pulire frequentemente la spazzola a rullo.
- Se una delle due spazzole a rullo è danneggiata e deve essere sostituita, sostituire entrambe le spazzole per le migliori prestazioni.

Tutte le operazioni sulla spazzola a rullo diverse da quelle elencate in queste istruzioni devono essere eseguite da un tecnico qualificato.

SOSTITUZIONE DELLE SPAZZOLE A RULLO

⚠ AVVERTENZA! Una spazzola a rullo danneggiata può rompersi in diversi pezzi dopo un uso prolungato. Se lanciati dall'apparecchio, tali pezzi possono causare lesioni gravi. Ispezionare la spazzola regolarmente e non usare l'accessorio la spazzola a rullo con parti usurate o danneggiate.

Rimozione (Fig. L)

1. Rimuovere la coppiglia dall'estremità del supporto per spazzola.
2. Estrarre la spazzola a rullo, insieme al cappuccio installato su di essa, dal supporto per spazzola.
3. Se il supporto per spazzola è danneggiato, rimuovere il perno di bloccaggio dal foro di bloccaggio sul supporto ed estrarre il supporto per spazzola dall'asse condotto (Fig. M).
4. Se il cappuccio della spazzola a rullo è danneggiato, rimuoverlo e sostituirlo.
5. Procedere allo stesso modo per rimuovere l'altra spazzola.

Descrizione delle parti in Fig. L:

L-1	Asse condotto	L-4	Coppiglia
L-2	Perno di bloccaggio	L-5	Cappuccio
L-3	Spazzola a rullo	L-6	Supporto per spazzola

Installazione

1. Installare il supporto per spazzola sull'asse condotto e inserire il perno di bloccaggio nel foro sul supporto per spazzola (Fig. F).
2. Installare il cappuccio sulla spazzola a rullo, allineando la sporgenza sul cappuccio con il foro sulla spazzola a rullo (Fig. N).

Descrizione delle parti in Fig. N:

N-1	Foro
N-2	Sporgenza

3. Infilare la spazzola a rullo sul supporto per spazzola (Fig. G).
4. Inserire la coppiglia nel foro all'estremità del supporto per spazzola.
5. Procedere allo stesso modo per installare l'altra spazzola.

⚠ AVVERTENZA! Sostituire entrambe le spazzole a rullo contemporaneamente.

PULIZIA DELL'UNITÀ

- Rimuovere la batteria.
- Rimuovere pezzi di radici, terreno o piante dalle spazzole a rullo, dalla protezione o dalla scatola ingranaggi. Per una pulizia più profonda, rimuovere le spazzole a rullo e la protezione per lavarle accuratamente. Per istruzioni dettagliate sulla sostituzione delle spazzole a rullo, consultare la sezione "SOSTITUZIONE DELLE SPAZZOLE A RULLO".

IT

- Mantenere le aperture di ventilazione prive di ostruzioni.

CONSERVAZIONE DELL'UNITÀ

- Rimuovere il gruppo batteria dall'utensile.
- Pulire accuratamente l'utensile e ispezionare le spazzole a rullo.
- Rimuovere l'accessorio spazzola a rullo dall'unità motore e installare il cappuccio terminale sull'estremità dell'asta per evitare l'ingresso di sporcizia nel raccordo.
- Conservare l'utensile in un luogo asciutto, ben ventilato, elevato o chiuso a chiave, e fuori dalla portata dei bambini. Non conservare l'unità sopra o in prossimità di fertilizzanti, benzina o altre sostanze chimiche.

IT

Protecting the environment



Do not dispose of electrical equipment, battery charger and batteries/rechargeable batteries into household waste! According to the European law 2012/19/EU, electrical and electronic equipment that is no longer usable and according to the European law 2006/66/EC, defective or used battery packs/batteries, must be collected separately. If electrical appliances are disposed of in landfills or dumps, hazardous substances can leak into the groundwater and get into the food chain, damaging your health and well-being.

RISOLUZIONE DEI PROBLEMI

PROBLEMA	CAUSA	SOLUZIONE
La spazzola a rullo non si avvia.	<ul style="list-style-type: none"> ■ Il gruppo batteria non è installato correttamente sull'unità motore. ■ Nessun contatto elettrico tra l'unità motore e il gruppo batteria. ■ Il gruppo batteria è scarico. ■ La leva di sbloccaggio e l'interruttore a grilletto dell'unità motore non sono stati premuti contemporaneamente. ■ Il mancato avvio della spazzola a rullo non è dovuto alle cause elencate. 	<ul style="list-style-type: none"> ■ Installare il gruppo batteria sull'unità motore. ■ Rimuovere la batteria, ispezionare i contatti e reinstallare il gruppo batteria. ■ Ricaricare il gruppo batteria con i caricabatteria EGO elencati in questo manuale. ■ Tenere premuta la leva di sbloccaggio contemporaneamente all'interruttore a grilletto per avviare l'unità. ■ Contattare il servizio clienti EGO.
La spazzola a rullo è danneggiata.	<ul style="list-style-type: none"> ■ Danni subiti durante il trasporto o l'utilizzo. 	<ul style="list-style-type: none"> ■ Contattare il servizio clienti EGO.
La spazzola a rullo si arresta durante il funzionamento.	<ul style="list-style-type: none"> ■ Il motore è sovraccarico. ■ Il gruppo batteria o l'unità motore sono troppo caldi. ■ Il gruppo batteria si è scollegato sull'apparecchio. ■ Il gruppo batteria è scarico. ■ Il mancato avvio della spazzola a rullo non è dovuto alle cause elencate. 	<ul style="list-style-type: none"> ■ Il motore si riavvierà alla rimozione del carico. Per l'uso continuo, diminuire il carico sulla spazzola a rullo. ■ Attendere che la temperatura del gruppo batteria o dell'unità motore scenda al di sotto di 67°C. ■ Reinstallare il gruppo batteria. ■ Ricaricare il gruppo batteria con i caricabatteria EGO elencati in questo manuale. ■ Contattare il servizio clienti EGO.

IT

GARANZIA

CONDIZIONI DELLA GARANZIA EGO

Visitare il sito web egopowerplus.com per consultare le condizioni complete della garanzia EGO.

LEES ALLE INSTRUCTIES!



LEES DE GEBRUIKSAANWIJZING

⚠ Restrisco! Personen met elektronische apparaten, zoals pacemakers, moeten eerst hun arts(en) raadplegen voordat ze dit product gebruiken. De werking van een elektrisch apparaat in de nabijheid van een pacemaker kan een storing of defect van de pacemaker veroorzaken.

NL

⚠ WAARSCHUWING: Om een continue veiligheid en betrouwbaarheid te waarborgen, dienen alle reparaties en vervangingen van onderdelen uitgevoerd te worden door een vakbekwame reparateur.

VEILIGHEIDSSYMBOL

Het doel van de veiligheidssymbolen is om u te wijzen op mogelijke gevaren. Besteed daarom voldoende aandacht hieraan en begrijp de veiligheidssymbolen en bijbehorende uitleg. De symboolwaarschuwingen op zich elimineren geen enkel gevaar. De verstrekte instructies en waarschuwingen gelden niet als vervanging voor gepaste voorzorgsmaatregelen tegen ongevallen.

⚠ WAARSCHUWING: Lees en begrijp alle veiligheidsinstructies die in deze gebruiksaanwijzing staan vermeld, waaronder alle veiligheidssymbolen zoals **“GEVAAR,” “WAARSCHUWING,”** en **“OPGELET”** voordat u dit gereedschap in gebruik neemt. Het negeren van onderstaande instructies kan leiden tot een elektrische schok, brand en/of ernstig persoonlijk letsel.

BETEKENIS VAN DE SYMBOLEN

⚠ VEILIGHEIDS-WAARSCHUWINGSSYMBOL: Duidt op **GEVAAR, WAARSCHUWING, OF OPLETTEN**, kan worden gebruikt in combinatie met andere symbolen of pictogrammen.



⚠ WAARSCHUWING: De werking van het apparaat kan leiden tot het rondslingeren van (vreemde) objecten die in uw ogen kunnen terechtkomen. Dit kan leiden tot ernstig oogletsel. Wanneer u elektrisch gereedschap gebruikt, zorg er dan voor dat u altijd een veiligheidsbril (met zijschermen) of een gelaatsscherm draagt. We bevelen aan om een gelaatsscherm over uw bril of standaard veiligheidsbril met zijschermen te gebruiken.

VEILIGHEIDSSYMBOLEN

Deze pagina toont en beschrijft alle veiligheidssymbolen die zich op dit product kunnen bevinden. Lees, begrijp en volg alle instructies op de machine voordat u deze in elkaar zet en gebruikt.

	Veiligheidswaarschuwing	Geeft een risico op persoonlijk letsel aan.
	Lees de gebruiksaanwijzing	De gebruiker dient de gebruiksaanwijzing voor het gebruik van dit product te lezen en te begrijpen om risico op letsel te beperken.
	Draag oogbescherming	Draag altijd een veiligheidsbril met zijschermen en een gelaatsscherm als u dit product gebruikt.
	Houd omstanders uit de buurt	Houd omstanders op een veilige afstand
	Draag beschermende handschoenen	Bescherm uw handen met handschoenen bij de omgang met de messen. Robuuste, niet glijdende handschoenen verbeteren uw grip en beschermen uw handen.
	Draag veiligheidschoenen	Draag slipvrije veiligheidschoenen als u dit apparaat gebruikt.
	Afketsen	Wegslingerende voorwerpen kunnen afketsen en leiden tot persoonlijk letsel of schade aan eigendommen.
	Niet aan regen blootstellen	Gebruik het apparaat niet in de regen en laat het tevens niet buiten achter als het regent.
	CE	Dit product is in overeenstemming met de EG-richtlijnen.
	WEEE	Gooi elektrisch afval niet via het huishoudelijk afval weg. Breng het naar een geautoriseerd recyclingbedrijf.

	Geluid	Gewaarborgd geluidsvermogensniveau. Geluidsemis-sie voor de omgeving in overeenstemming met de richtlijnen van de Europese Unie	
	V	Volt	Spanning
	mm	Millimeter	Lengte of afmeting
	kg	Kilogram	Gewicht

ALGEMENE VEILIGHEIDSWAARSCHUWINGEN VOOR ELEKTRISCH GEREEDSCHAP

⚠ WAARSCHUWINGEN! Lees alle veiligheidswaarschuwingen, instructies, illustraties en specificaties die met het elektrisch gereedschap zijn meegeleverd. Het negeren van onderstaande instructies kan leiden tot een elektrische schok, brand en/of ernstig letsel.

Bewaar alle waarschuwingen en instructies voor toekomstig gebruik.

VEILIGHEID OP DE WERKPLAATS

- **Houd uw werkplaats schoon en goed verlicht.** Rommelige of donkere ruimten kunnen ongevallen veroorzaken.
- **Gebruik geen elektrisch gereedschap in ruimten waar een explosieve atmosfeer kan ontstaan, bijvoorbeeld in de aanwezigheid van ontvlambare vloeistoffen, gassen of stof.** Elektrisch gereedschap creëert vonken, deze kunnen stof of dampen in brand steken.
- **Houd kinderen en omstanders uit de buurt wanneer u een elektrisch gereedschap bedient.** Afdleiding kan tot controleverlies leiden.

ELEKTRISCHE VEILIGHEID

- **Stel elektrisch gereedschap niet bloot aan regen of vochtige omstandigheden.** Water dat elektrisch gereedschap binnendringt, vergroot het risico op een elektrische schok.

PERSOONLIJKE VEILIGHEID

- **Wees waakzaam, let op wat u doet en gebruik uw gezond verstand wanneer u elektrisch gereedschap gebruikt. Gebruik het elektrisch gereedschap niet als u moe bent of onder de invloed bent van drugs, alcohol of medicijnen.** Een moment van onoplettendheid tijdens het gebruik van elektrische gereedschappen kan leiden tot ernstig persoonlijk letsel.

- **Draag altijd een persoonlijke beschermingsuitrusting.** Beschermingsmiddelen zoals oogbescherming, een stofmasker, slijpvaste werkschoenen, veiligheidshelm en/of gehoorbescherming afhankelijk van de aard en het gebruik van het gereedschap verkleint het risico op persoonlijk letsel.
 - **Vermijd dat het gereedschap per ongeluk wordt gestart. Zorg dat de schakelaar op de stand 'Uit' is ingesteld voordat u het gereedschap op een stroombron en/of accupack aansluit, vastneemt of draagt.** Het dragen van elektrisch gereedschap met uw vinger op de schakelaar of gereedschap ingeschakeld op de stroomvoorziening aansluiten kan ongevallen veroorzaken.
 - **Verwijder instelsleutels of moersleutels voordat u het elektrisch gereedschap inschakelt.** Een instelsleutel of moersleutel in een draaiend deel van het elektrisch gereedschap achterlaten kan leiden tot persoonlijk letsel.
 - **Reik niet te ver. Zorg er altijd voor dat u stevig en stabiel staat.** Dit zorgt ervoor dat u het elektrisch gereedschap in onverwachte situaties beter onder controle kunt houden.
 - **Draag passende kleding. Draag geen los hangende kleding of sieraden. Houd uw haar, kleding en handschoenen uit de buurt van bewegende onderdelen.** Los hangende kleding, juwelen en lang haar kunnen in bewegende onderdelen verstrikt raken.
 - **Wanneer de montage van stofafzuiging- of stofopvangvoorzieningen mogelijk is, dient u ervoor te zorgen dat deze juist aangesloten en gebruikt worden.** Het gebruik van voorzieningen voor stofopvang kan helpen om het risico in verband met stof te verlagen.
 - **Word niet zelfingenomen door de ervaring die u heeft opgedaan door frequent gebruik, waardoor u dan de veiligheidswaarschuwingen negeert.** Een achteloze actie kan binnen een fractie van een seconde ernstig letsel veroorzaken.
- ### ELEKTRISCH GEREEDSCHAP GEBUIKEN EN ONDERHOUDEN
- **Overbelast het elektrisch gereedschap niet. Gebruik het juiste elektrisch gereedschap voor uw toepassing.** Met het juiste elektrisch gereedschap werkt u beter en veiliger binnen het aangegeven vermogensbereik.
 - **Gebruik het elektrisch gereedschap niet als de schakelaar niet kan worden in- en uitgeschakeld.** Elektrisch gereedschap dat niet kan worden in- of uitgeschakeld is gevaarlijk en moet worden gerepareerd.

- **Verwijder het accupack, indien verwijderbaar, van het elektrisch gereedschap en/of activeer een accu-uitschakelinstallatie voordat u vastgelopen materiaal verwijdert, eventuele aanpassingen uitvoert, accessoires wisselt, reinigt, of het elektrisch gereedschap opbergt.** Dergelijke preventieve maatregelen verminderen het risico dat het elektrisch gereedschap per ongeluk start.
- **Berg niet-gebruikt elektrisch gereedschap op buiten het bereik van kinderen en zorg ervoor dat personen die niet vertrouwd zijn met het gereedschap of die deze instructies niet hebben gelezen het gereedschap niet gebruiken.** Elektrisch gereedschap is gevaarlijk wanneer het door onervaren personen wordt gebruikt.
- **Onderhoud het elektrisch gereedschap en de accessoires. Controleer of de bewegende onderdelen correct functioneren en niet vastklemmen en of de onderdelen zodanig gebroken of beschadigd zijn dat de werking van het elektrisch gereedschap nadelig wordt beïnvloed. Laat een beschadigd elektrisch gereedschap eerst repareren voordat u het weer in gebruik neemt.** Vele ongevallen zijn het gevolg van slecht onderhouden elektrisch gereedschap en toebehoor.
- **Houd de snij-onderdelen scherp en schoon.** Zorgvuldig onderhouden snij-gereedschap met scherpe snijranden klemt minder snel vast en is gemakkelijker te beheersen.
- **Gebruik het elektrisch gereedschap, accessoires, inzetgereedschap, etc. in overeenstemming met deze instructies en houd hierbij rekening met de werkomstandigheden en de uit te voeren werkzaamheden.** Het gebruik van elektrisch gereedschap voor andere dan de beoogde toepassingen kan tot gevaarlijke situaties leiden.
- **Houd de handgrepen en greepvlakken droog, schoon en vrij van olie en smeervet.** Glibberige handgrepen en greepvlakken maken een veilige omgang en de controle over het elektrisch gereedschap in onverwachte situaties onmogelijk.
- **Wanneer u het accupack niet gebruikt, houd het uit de buurt van andere metalen voorwerpen zoals paperclips, munten, sleutels, spijkers, schroeven of andere kleine metalen voorwerpen die de twee aansluitklemmen kunnen verbinden.** Het kortsluiten van de aansluitklemmen kan brandwonden of brand veroorzaken.
- **Bij verkeerd gebruik kan er vloeistof uit de accu worden gespoten; vermijd elk contact. Als aanraking met de vloeistof toevallig plaatsvindt, spoel het dan af met water. Als de vloeistof in de ogen komt, dient u onmiddellijk een arts te consulteren.** Vloeistof dat uit de accu wordt uitgespoten kan irritatie of brandwonden veroorzaken.
- **Gebruik een accupack of gereedschap dat is beschadigd of aangepast niet.** Beschadigde of aangepaste accu's kunnen resulteren in onvoorzien gedrag zoals brand, explosie of het risico op letsel.
- **Stel een accupack of gereedschap niet bloot aan vuur of excessieve temperaturen.** Blootstelling aan vuur of temperaturen boven 100 °C kunnen leiden tot een explosie.
- **Neem alle laad instructies in acht en laad het accupack of het gereedschap niet buiten het gespecificeerde temperatuurbereik in de handleiding op.** Het onjuist laden of bij een temperatuur buiten het temperatuurbereik kan de accu beschadigen en er bestaat een gevaar op brand.

ANDERE VEILIGHEIDSWAARSCHUWINGEN

Opleiding

- Lees de instructies aandachtig door. Maak u vertrouwd met de bedieningen en het juiste gebruik van de machine.
- Kinderen of personen die de instructies niet kennen mogen dit apparaat niet gebruiken. De lokale wetgeving kan de leeftijd van de bediener begrenzen.
- Werk nooit als zich mensen, in het bijzonder kinderen of huisdieren, in de buurt bevinden.
- Onthoud dat de bediener of gebruiker verantwoordelijk is voor ongevallen of gevaren die zich bij ander personen of hun eigendommen voordoen.

Vorbereitung

- Tijdens het werk dient u altijd gepast schoeisel en een lange broek te dragen. Gebruik het gereedschap nooit met blote voeten of sandalen.
- Controleer het gebied waar u het gereedschap wilt gebruiken en verwijder alle voorwerpen die langs het elektrisch gereedschap kunnen worden weggeslingerd.

ACCU-GEREEDSCHAP GEBUIKEN EN ONDERHOUDEN

- **Opladen alleen met de lader die door de fabrikant is aangegeven.** Een lader die geschikt is voor een bepaald type accupack kan tot brandgevaar leiden wanneer hij gebruikt wordt met een ander accupack.
- **Gebruik elektrisch gereedschap alleen met het specifiek aangegeven accupack.** Het gebruik van andere accupacks kan risico op letsel en brandgevaar veroorzaken.

- Controleer voor gebruik altijd visueel of het elektrisch gereedschap niet versleten of beschadigd is. Vervang versleten of beschadigde onderdelen en moeren als set om de balans te behouden.

Gebruik

- Gebruik de motor niet in een besloten ruimte waar zich gevaarlijke koolmonoxidestampen kunnen verzamelen.
- Werk alleen bij daglicht of voldoende kunstmatig licht.
- Let op uw houding als u het apparaat op hellingen gebruikt.
- Wandel, ren nooit met het elektrisch gereedschap.
- Voor elektrisch gereedschap met wielen dient u zijdelings op de hellingen te werken, nooit naar boven en beneden.
- Wees erg voorzichtig als u van richting verandert op een helling.
- Werk niet op extreem steile hellingen.
- Wees zeer voorzichtig als u draait of het gereedschap in uw richting trekt.
- Verander de instellingen van de motorregelaar niet en zorg ervoor dat de snelheid van de motor niet buiten de grenzen ligt.
- Start de motor voorzichtig volgens de instructies van de fabrikant en met de voeten ver weg van het elektrisch gereedschap.
- Houd uw handen en voeten uit de buurt van de draaiende onderdelen.
- Til gereedschap nooit op en draag het niet als de motor is ingeschakeld.

GEbruik OP EEN HELLING:

Hellingen zijn een belangrijke factor bij ongevallen waarbij men uitglijdt en valt. Deze kunnen in ernstig letsel resulteren. Let op uw houding als u het apparaat op hellingen gebruikt. U dient extra alert te zijn als u het gereedschap op een helling gebruikt. Werk niet op een helling, als u zich niet op uw gemak voelt.

- Let op gaten, sporen, stenen, verborgen voorwerpen, of bobbel die ertoe kunnen leiden dat u uitglijdt of struikelt. In hoog gras kunnen zich obstakels verbergen.

SERVICE

- **Laat uw elektrisch gereedschap repareren door een gekwalificeerde reparateur en alleen met identieke reserve-onderdelen.** Dit waarborgt de veiligheid van het elektrisch gereedschap.
- **Repareer beschadigde accupacks nooit.** Onderhoud van accupacks mag alleen worden uitgevoerd door de fabrikant of een geautoriseerde dienstverlener.

⚠ WAARSCHUWING: Lees alle veiligheidswaarschuwingen, instructies, illustraties en specificaties die met het elektrisch gereedschap zijn meegeleverd. Het negeren van onderstaande instructies kan leiden tot een elektrische schok, brand en/of ernstig letsel. Bewaar alle waarschuwingen en instructies voor toekomstig gebruik.

- Gebruik alleen met in afb. A vermelde accupacks en opladers.

BEWAAR DEZE GEBRUIKSAANWIJZING

NL

SPECIFICATIES

Diameter borstelrommel	250mm	
Reinigingsstrook	560mm	
Aanbevolen bedrijfstemperatuur	-15°C-40°C	
Aanbevolen opslagtemperatuur	-20°C-70°C	
Gewicht (inclusief de bescherming)	5,05 kg	
Gemeten geluidsvermogensniveau L_{WA}	91,4 dB(A) K=2,02 dB(A)	
Geluidsdrumniveau bij het oor van de bediener L_{PA}	82,8 dB(A) K=2,5 dB(A)	
Gewaarbord geluidsvermogensniveau L_{WA} (gemeten conform 2000/14/EC)	93 dB(A)	
Inschatting van de vibratie a_b	Voorste hand-greep	0,46 m/s ² K= 1,5 m/s ²
	Achterste handgreep	1,43 m/s ² K= 1,5 m/s ²

- De bovengenoemde parameters werden getest en gemeten met de motorkop PH1400E.
- De opgegeven totale vibratiewaarde is gemeten volgens de standaard testmethode en kan worden gebruikt om het apparaat met een ander apparaat te vergelijken;
- De opgegeven totale vibratiewaarde kan tevens worden gebruikt in een voorafgaande beoordeling op blootstelling.

OPMERKING: De vibratie-afgifte tijdens het werkelijk gebruik van het elektrisch gereedschap kan verschillen van de opgegeven totale waarde; Om de bediener te beschermen dient de gebruiker tijdens het gebruik handschoenen en gehoorbescherming te dragen.

INHOUD VAN DE VERPAKKING

NAAM VAN HET ONDERDEEL	AANTAL
Borstel toebehoor	1
Borstelrol	2
Aandrijfas	2
Bescherming (met bout)	1
Binnenzeskantsleutel	1
Koppelpen	2
Vergrendelingspen	2
Gebruiksaanwijzing	1

NL

BESCHRIJVING

KEN UW BORSTEL TOEBEHOOR (afb. A)

1. Einddop
2. Borstel toebehoor
3. Bescherming
4. Borstelrol
5. Versnellingsbak
6. Koppelpen
7. Binnenzeskantsleutel

MONTAGE

⚠ WAARSCHUWING: Als er onderdelen beschadigd zijn of ontbreken, gebruik dit product niet totdat alle onderdelen vervangen of aanwezig zijn. Dit product gebruiken met beschadigde of ontbrekende onderdelen kan ernstig persoonlijk letsel veroorzaken.

⚠ WAARSCHUWING: Probeer niet om dit product aan te passen of accessoires te maken die niet voor gebruik met deze machine zijn aanbevolen. Een dergelijke aanpassing of wijziging is misbruik en kan leiden tot gevaar en een ernstig persoonlijk letsel.

⚠ WAARSCHUWING: Om het toevallig starten van het gereedschap, dat ernstig persoonlijk letsel kan veroorzaken te voorkomen, moet u de accuconnector altijd uit de aansluiting halen als u onderdelen monteert.

⚠ WAARSCHUWING: Sluit de borstel niet aan op de motorkop totdat u klaar bent met de montage. Het niet in acht nemen kan resulteren in het onbedoeld starten en mogelijk ernstig persoonlijk letsel.

DE BESCHERMING MONTEREN

⚠ WAARSCHUWING: Installeer de bescherming voordat het borstel toebehoor aansluit op de motorkop.

1. Maak de bout los en verwijder deze van de bescherming met behulp van de meegeleverde binnenzeskantsleutel (afb. B).
2. Til de as van het borstel toebehoor op en verwijder de einddop van de as.
3. Met de gleuf in de beschermkap uitgelijnd met de ribbel aan het uiteinde van de as, leidt u de bescherming door de as totdat de schroefgaten in de bescherming en in de as zijn uitgelijnd (afb. C & D).

Afb. C & D beschrijving van de onderdelen zie beneden:

C-1	Gleuf
C-2	Ribbel
D-1	Bout

4. Gebruik de meegeleverde binnenzeskantsleutel om de bout met de klok mee vast te draaien om de bescherming veilig te vergrendelen.

DE BORSTELROL BEVESTIGEN

1. Druk de aandrijfas op aangedreven as (afb. E).

Afb. E beschrijving van de onderdelen zie beneden:

E-1	Aandrijfas
E-2	Aandrijfas

2. Om de aandrijfas op de aangedreven as te bevestigen, moet u de vergrendelingspen in het vergrendelingsgat steken.

OPMERKING: De vergrendelingspen moet op zijn plek worden geïnstalleerd (afb. F).

Afb. F beschrijving van de onderdelen zie beneden:

F-1	Vergrendelingspen
F-2	Vergrendelingsgat

3. Volg dezelfde stappen om de andere aandrijfas te bevestigen.
4. Druk de borstelrol op de aandrijfas (afb. G).

Afb. G beschrijving van de onderdelen zie beneden:

G-1	Borstelrol
G-2	Aandrijfas

5. Steek de koppelpen in het gat aan het einde van de borstelrol op de aandrijfas (afb. H).

Afb. H beschrijving van de onderdelen zie beneden:

H-1	Koppelen
-----	----------

- Volg dezelfde stappen om de andere borstelrol te bevestigen.

AANSLUITEN VAN HET BORSTEL TOEBEHOOR OP DE MOTORKOP

⚠ WAARSCHUWING: Bevestig of pas het toebehoor nooit aan terwijl de basis machine loopt of de accu is geïnstalleerd. Het niet stoppen van de draaiende motor of het niet verwijderen van de accu kan ernstig persoonlijk letsel veroorzaken.

Dit borstel toebehoor is ontworpen voor het gebruik met de EGO motorkop PH1400E

- Stop de motor en verwijder het accupack
- Draai de vleugelmoer op de motorkop-koppeling los.
- Als de einddop zich op de bevestigingsas bevindt, verwijder deze dan en bewaar hem op een veilige plaats voor later gebruik.

Breng de pijl op de as van de borstel in één lijn met de pijl op de koppeling (afb. I) en druk de as van de borstel in de koppeling totdat u een "KLIK" hoort (afb. J).

Afb. I beschrijving van de onderdelen zie beneden:

I-1	Asvrijgaveknop
I-2	Pijl op de koppeling
I-3	Vleugelmoer
I-4	Pijl op de toebehooras
I-5	Rode lijn

Afb. J beschrijving van de onderdelen zie beneden:

J-1	Rode lijn
-----	-----------

- Trek lichtjes aan de as van het borstel toebehoor om te controleren dat deze correct is bevestigd op de koppeling. Als dit niet het geval is, beweegt u de as van de borstel naar voren en naar achteren in de koppeling totdat een duidelijk "KLIK"-geluid aangeeft dat deze is vergrendeld.
- Draai de vleugelmoer correct vast.

⚠ WAARSCHUWING: Controleer of de vleugelmoer op de koppeling helemaal is vastgedraaid voordat u het elektrisch gereedschap in gebruik neemt; controleer regelmatig de bevestiging tijdens het gebruik om ernstig persoonlijk letsel te voorkomen.

HET TOEBEHOOR VAN DE MOTORKOP VERWIJDEREN

- Stop de motor en verwijder het accupack.

- Maak de vleugelmoer los.
- Met de ontgrendelknop van de as ingedrukt, trekt of draait u de as van het borstel toebehoor uit de koppeling om deze van de motorkop te verwijderen.

GEBRUIK

⚠ WAARSCHUWING: Vertrouwdheid kan leiden tot onvoorzichtigheid. Opgelet, één seconde van onoplettendheid kan ernstig letsel teweegbrengen.

⚠ WAARSCHUWING: Draag altijd oogbescherming, samen met gehoorbescherming. Het niet dragen van deze beschermingsuitrusting kan ertoe leiden dat voorwerpen in uw ogen terechtkomen of kan een ander ernstig letsel veroorzaken.

⚠ WAARSCHUWING: Gebruik geen opzetstukken of toebehoren die niet door de fabrikant van dit product zijn aanbevolen. Het gebruik van niet aanbevolen opzetstukken of toebehoren kan leiden tot ernstig persoonlijk letsel.

APPLICATIES

U kunt dit product gebruiken voor onderstaand vermeld doeleinde:

- Reiniging van gebieden en paden, waaronder niet vlakke en verbonden oppervlakken.
- Reiniging van de bestratingen/beton/asfalt opritten, wandelpaden en tuinen.

⚠ WAARSCHUWING: Draag gepaste kleding om het risico op letsel tijdens gebruik van dit gereedschap te beperken. Draag geen los hangende kleding of sieraden. Draag oogbescherming. Draag een stevige lange broek, laarzen en handschoenen. Draag geen korte broek of sandalen of ga niet blootsvoets.

Als het oppervlak schoon en droog is, sproeit u er water op om de hoeveelheid stof die ontstaat te verminderen.

U moet met de borstel naar voren werken. Houd de borstel met één hand op het achterste handvat en de andere hand op het voorste ondersteunende handvat. Houd de borstel tijdens het gebruik stevig vast met beide handen.

Houd en geleid de borstel in een lichte hoek. Als de borstel in een te steile hoek wordt gebruikt, tendert hij ertoe terug te drukken naar de bediener.

Houd uw greep en het evenwicht op beide voeten (afb. K).

Weggeslingerd materiaal kan ernstig letsel bij de gebruiker of omstanders veroorzaken. Om het risico op persoonlijk letsel te beperken, neem de volgende voorzorgsmaatregelen:

- Houd de borstel altijd met beide handen vast tijdens het gebruik. Gebruik een stevige grip op beide handvatten.
- Verplaats de borstel naar het werkgebied voordat u begint en start de borstel met een lagere snelheid.
- Houd en geleid de borstel in een lichte hoek om het risico op letsel als gevolg van controleverlies te verminderen. Als de borstel in een te steile hoek wordt gebruikt, tendeert hij ertoe terug te drukken naar de bediener.

NL

Voor elk gebruik, controleer op beschadigde/versleten onderdelen

Controleer de borstelrol, bescherming, voorste handvat en aandrijfjas en vervang onderdelen die zijn gebarsen, scheef getrokken, gebogen of op enigerlei manier beschadigd zijn.

Maak de borstel na elk gebruik schoon

Kijk in het hoofdstuk Onderhoud voor de reinigingsinstructies.

HET GEREEDSCHAP STARTEN/STOPPEN

Zie hoofdstuk "STARTEN/STOPPEN VAN DE MOTORKOP" in de gebruiksaanwijzing van de motorkop PH1400E

ONDERHOUD

⚠ WAARSCHUWING: Gebruik voor reparaties uitsluitend identieke reserve-onderdelen. Het gebruik van andere onderdelen kan gevaar opleveren of schade aan het product veroorzaken. Laat alle reparaties uitvoeren door een vakbekwame reparateur om een continue veiligheid en betrouwbaarheid te waarborgen.

⚠ WAARSCHUWING: Accugereedschap hoeft niet aan een stopcontact te worden aangesloten en kan dus altijd onmiddellijk gebruikt worden. Neem extra voorzorgsmaatregelen wanneer u het snijelement of andere accessoires onderhoudt, reinigt of wijzigt om ernstig persoonlijk letsel te voorkomen.

⚠ WAARSCHUWING: Om ernstig persoonlijk letsel te voorkomen, verwijdert u het accupack uit de motorkop en wacht u totdat de borstelrol is gestopt voordat u onderhoud of reiniging uitvoert of accessoires vervangt of wanneer het product niet in gebruik is.

ALGEMEEN ONDERHOUD

⚠ WAARSCHUWING: Zorg dat remvloeistoffen, benzine, producten op basis van aardolie, oliën, etc. op geen enkel moment in aanraking komen met de kunststof onderdelen. Chemicaliën kunnen de kunststof onderdelen beschadigen, verzwakken of vernietigen en ernstig persoonlijk letsel veroorzaken.

⚠ WAARSCHUWING: Als u het borstel toebehoort te reinigen, dompel het dan NIET in water of andere vloeistoffen. Maak uw gereedschap niet schoon met een hogedrukreiniger. De stevige waterstraal kan onderdelen van het gereedschap beschadigen.

BORSTELROL ONDERHOUD

- Reinig de borstelrol regelmatig.
- Als een van de borstelrollen moet worden vervangen vanwege slijtage, vervangt u beide borstelrollen voor de beste prestaties.

Al het onderhoud aan de borstel, behalve het onderhoud dat in de gebruiksaanwijzing wordt genoemd, dient door een geautoriseerde onderhoudsmonteur te worden uitgevoerd.

DE BORSTELROLLEN VERVANGEN

⚠ WAARSCHUWING: Een beschadigde borstelrol kan stuk gaan en in meerdere delen breken na langdurig gebruik, waardoor gevaarlijke projectielen kunnen ontstaan. Weggeslingerde voorwerpen kunnen ernstig letsel veroorzaken. Inspecteer het regelmatig en gebruik de borstel niet met versleten of beschadigde onderdelen.

Verwijderen (afb. L)

1. Verwijder de koppelingspen van het einde van de aandrijfjas.
2. Trek de borstelrol, samen met de afdekking erop, van de aandrijfjas.
3. Als de aandrijfjas is beschadigd, moet u de vergrendelingspen uit het gat van de aandrijfjas halen en de aandrijfjas van de aangedreven as halen (afb. M).
4. Als de afdekking is beschadigd, moet u de borstelrol eraf halen en vervangen.
5. Volg dezelfde stappen om de andere borstelrol te verwijderen.

Afb. L beschrijving van de onderdelen zie beneden:

L-1	Aandrijfjas	L-4	Koppelpen
L-2	Vergrendelingspen	L-5	Afdekking
L-3	Borstelrol	L-6	Aandrijfjas

Installeren

1. Plaats de aandrijfjas op de aangedreven as en plaats de vergrendelingspen in het gat van de aandrijfjas (zie afb. F).
2. Installeer de afdekking op de borstelrol met de ribbel in de afdekking in een lijn met het gat in de borstelrol (afb. N).

Afb. N beschrijving van de onderdelen zie beneden:

N-1	Gat
N-2	Ribbel

3. Druk de borstelrol op de aandrijfas (zie afb. G).
4. Steek de koppellen in het gat aan het einde van de aandrijfas en vouw hem plat.
5. Volg dezelfde stappen om de andere borstelrol te bevestigen.

⚠ WAARSCHUWING: Vervang altijd beide borstelrollen gelijktijdig.

DE UNIT REINIGEN

- De accu verwijderen.
- Verwijder de stukken wortels, vastzittende aarde of planten van de borstelrollen, bescherming of versnellingsbak. Voor een grondige reiniging, verwijdert u de borstelrollen en bescherming om ze grondig te wassen. Raadpleeg het bovenstaande gedeelte voor gedetailleerde stappen voor de vervanging **„VERVANGEN VAN DE BORSTELROLLEN“**.
- Houd de ventilatieopeningen vrij en schoon.

DE UNIT OPBERGEN

- Haal het accupack uit het gereedschap.
- Reinig het gereedschap grondig en inspecteer de borstelrollen.
- Verwijder het borstel toebehoor van de motorkop en steek de einddop op het uiteinde van de toebehooras om te voorkomen dat de koppeling vies wordt.
- Berg het gereedschap op in een droge, goed geventileerde en afsluitbare ruimte of op een hoge hoogte en buiten het bereik van kinderen. Berg de unit niet op in de buurt van meststoffen, benzine of andere chemicaliën.

Het milieu beschermen



Gooi geen elektrische apparaten, acculaders en accu's/oplaadbare batterijen met het huisafval weg! Elektrische en elektronische apparaten, in overeenstemming met de Europese wet 2012/19/EG, en defecte of verbruikte accupacks/batterijen, in overeenstemming met 2006/66/EG, moeten afzonderlijk worden ingezameld. Als elektrische apparaten op een vuilstort of vuilnisbelt terecht komen, kunnen gevaarlijke stoffen in het grondwater lekken en in de voedselketen komen wat schadelijk is voor uw gezondheid en welzijn.

NL

PROBLEMEN OPLOSSEN

NL

PROBLEEM	OORZAAK	OPLOSSING
De borstel wil niet starten.	<ul style="list-style-type: none"> ■ Het accupack is niet goed aangesloten op de motorkop. ■ Er is geen elektrisch contact tussen de motorkop en het accupack. ■ Het accupack is uitgeput. ■ De ontgrendelingshendel en trekker van de motorkop zijn niet gelijktijdig ingedruwd. ■ Start nog steeds niet en bovenstaande redenen zijn niet van toepassing. 	<ul style="list-style-type: none"> ■ Sluit het accupack aan op de motorkop. ■ Verwijder het accupack, controleer de aansluitklemmen en plaats het accupack terug zodat deze vast klikt. ■ Laad het accupack op met een EGO oplader die in de lijst in deze gebruiksaanwijzing wordt genoemd. ■ Druk op de ontgrendelingshendel en houd deze ingedrukt, druk vervolgens op de schakelaar om in te schakelen. ■ Neem contact op met de klantenservice van EGO.
De borstel is klaarblijkelijk beschadigd.	<ul style="list-style-type: none"> ■ Abnormale beschadiging tijdens het transport of gebruik. 	<ul style="list-style-type: none"> ■ Neem contact op met de klantenservice van EGO.
De borstel stopt tijdens het gebruik.	<ul style="list-style-type: none"> ■ De motor is overbelast. ■ Het accupack of de motorkop is te warm. ■ Het accupack is niet met het gereedschap verbonden. ■ Het accupack is uitgeput. ■ Start nog steeds niet en bovenstaande redenen zijn niet van toepassing. 	<ul style="list-style-type: none"> ■ De motor herstelt weer zodra de belasting is verdwenen. Voor continu gebruik dient u de belasting op de borstel te verlagen. ■ Laat het accupack of de motorkop afkoelen totdat de temperatuur lager dan 67°C is. ■ Installeer het accupack opnieuw. ■ Laad het accupack op met een EGO oplader die in de lijst in deze gebruiksaanwijzing wordt genoemd. ■ Neem contact op met de klantenservice van EGO.

GARANTIE

EGO GARANTIEBELEID

Bezoek alstublieft de website egopowerplus.com voor de volledige voorwaarden van het EGO garantiebeleid.

LÆS ALLE ANVISNINGER!



LÆS BETJENINGSVEJLEDNING

⚠ Resterende risiko! Folk med elektroniske anordninger, såsom pacemakere, bør spørge deres læge(r) til råds, før de bruger dette produkt. Betjening af elektrisk udstyr i umiddelbar nærhed af et hjerte pacemaker kan forårsage forstyrrelser eller svigt af pacemakeren.

⚠ ADVARSEL: For at sikre sikkerhed og pålidelighed bør alle reparationer og udskiftninger udføres af en kvalificeret servicetekniker.

SIKKERHEDSSYMBOL

Formålet med sikkerheds- symboler er at tiltrække din opmærksomhed på mulige farer. Du bør være meget opmærksom på sikkerhedssymbolerne og forklaringerne til dem og lære at forstå dem. Symbolernes advarsler fjerner ikke i sig selv eventuelle farer. De anvisninger og advarsler, de giver ingen erstatninger for ordentlig forebyggelse af ulykker foranstaltninger.

⚠ ADVARSEL: Sørg for at læse og forstå alle sikkerhedsanvisninger i denne brugsanvisning, inklusive alle sikkerhedssymboler, såsom "FARE", "ADVARSEL" og "FORSIGTIG", før du bruger dette værktøj. Hvis anvisningerne nedenfor ikke følges, kan det føre til elektrisk stød, brand og/eller alvorlig personskade.

SYMBOL BETYDNING

⚠ ADVARSELSSYMBOL: Indikerer **FARE, ADVARSEL** ELLER **FORSIGTIG**, kan bruges sammen med andre symboler eller billeder.



⚠ ADVARSEL: Når elværktøjer bruges, er der altid en risiko for at genstande slynges ind i øjnene, som kan føre til alvorlige øjenskader. Inden du begynder elværktøj drift, altid bære beskyttelsesbriller eller sikkerhedsbriller med side skjolde og en fuld ansigtsmaske når det er nødvendigt. Vi anbefaler en Wide Vision Safety Maske til brug over briller eller standard sikkerhedsbriller med sideskærme.

SIKKERHEDSANVISNINGER

Denne side viser og beskriver sikkerheds- symboler, der kan vises på dette produkt. Læs, forstå, og følg alle anvisninger på maskinen, før du forsøger at samle og betjene den.

	Sikkerhed Alert	Angiver en potentiel fare for personskade.
	Læs Betjeningsvejledning	For at reducere risikoen for skader, skal brugeren læse og forstå brugsanvisningen før du bruger dette produkt.
	Wear Eye Protection	Bær altid beskyttelsesbriller eller sikkerhedsbriller med side skjolde og en fuld ansigtsskærm, når du betjener dette produkt.
	Hold omkring-stående på afstand	Hold omkringst ånde på sikker afstand
	Brug beskyttelse-shandsker	Beskyt dine hænder med handsker, når klingerne håndteres. Kraftige, skridsikre handsker forbedrer dit greb og beskytter dine hænder.
	Benyt sikkerhedsfodtøj	Benyt skridsikkert sikkerhedsfodtøj, når du bruger dette udstyr.
	Vildtfarende smågenstande	Vildtfarende smågenstande kan slynges ud og føre til personskader eller materielle skader.
	Må ikke udsættes for regn	Må ikke bruges i regn og må ikke efterlades udenfor i regnvej.
	CE	Dette produkt er i overensstemmelse med gældende EU-direktiver.
	WEEE	Elektriske affaldsprodukter må ikke bortskaffes sammen med husholdningsaffald. Bring det til en godkendt genbrugsplads.
	Støj	Garanteret lydniveau. Støjemission til miljøet opfylder EF-direktivet
V	Volt	Spænding
mm	Millimeter	Længde eller størrelse
kg	Kg	Vægt

DK

GENERALLE SIKKERHEDSADVARSLER OM ELEKTRISKE APPARATER

⚠ ADVARSEL! Læs alle sikkerhedsadvarsler, anvisninger, illustrationer og specifikationer, der følger med dette elværktøj. Hvis anvisningerne nedenfor ikke følges, kan det føre til elektrisk stød, brand og/eller alvorlig personskade.

Gem alle advarsler og instruktioner til fremtidig reference.

SIKKERHED PÅ ARBEJDSPLADSEN

- **Sørg for, at arbejdsområdet er rent og godt belyst.** Et rodet eller mørkt område kan føre til ulykker.
- **Brug ikke elværktøj i eksplosive atmosfærer, såsom ved tilstedeværelse af brændbare væsker, gasser eller støv.** Elværktøj kan slå gnister og antænde støv og dampe.
- **Hold børn og tilskuere på afstand, når et elværktøj er i brug.** Distractioner kan medføre, at du mister kontrollen.

SIKKERHED OMKRING ELEKTRICITET

- **Elværktøj må ikke udsættes for regn eller våde forhold.** Vand kommer ind et elværktøj øger risikoen for elektrisk stød.

PERSONLIG SIKKERHED

- **Vær forsigtig, hold øje med hvad du laver, og brug din sunde fornuft, når du bruger et elværktøj. Brug ikke apparatet, hvis du er træt eller er påvirket af narkotika, alkohol eller medicin.** Et øjeblikvis uopmærksomhed, kan føre til alvorlige personskader.
- **Brug altid personlige værnemidler.** Personlige værnemidler som støvmasker, skridsikker sikkerhedssko, hjelm og høreværn, der bruges under relevante forhold, reducerer risikoen for personskader.
- **Forhindre utilsigtet start. Sørg for, at tænd/sluk-knappen er slukket, inden apparatet sluttes til strømkilden eller batteripakken, samt inden det løftes op eller bæres rundt.** Hvis elværktøjet bæres med fingeren på kontakten, eller oplades med tænd/sluk-knappen tændt, øger det risikoen for ulykker.
- **Fjern indstillingsværktøj eller skruenøgler, før elværktøjet startes.** En skruenøgle eller en nøgle sidder i en roterende del af elektrisk værktøj, kan resultere i personskade.
- **Undgå at række for langt frem. Sørg altid for at stå ordentligt fast og i god balance.** Dette giver bedre kontrol af det elektriske værktøj når uventede situationer.

- **Kjole ordentligt. Brug ikke løstsiddende tøj eller smykker. Hold dit hår, tøj og handsker fra bevægelige dele.** Løse tøj, smykker eller langt hår kan blive fanget i bevægelige dele.
- **Hvis der monteres tilbehør til opsamling af støv eller andet, skal det sikres, at disse monteres og bruges korrekt.** Anvendelse af støvanordninger kan mindske støvrelaterede risici.
- **Selvom du ofte bruger og har et godt kendskab til værktøjer, må du ikke være overmodig eller glemme sikkerhedsprincipperne.** En uagtsom handling kan forårsage alvorlig skade i en brøkdæl af et sekund.

BRUG OG PLEJE AF ELVÆRKTØJET

- **Elværktøjet må ikke tvinges under brug. Brug den korrekte elværktøj til din ansøgning.** Det korrekte elværktøj gør arbejdet bedre og mere sikkert, da det er beregnet til formålet.
- **Brug ikke elværktøjet, hvis kontakten ikke kan tænde og slukke.** Alt elværktøj, hvor kontakterne ikke dur, er farligt og skal repareres.
- **Fjern batteriet, hvis aftagelig, fra elværktøjet, og/eller aktivér enheder, der slukker for batteriet, før du fjerner fastsiddende materiale, foretager justeringer, udskifter tilbehør, rengør elværktøj eller gemmer det væk.** Sådanne forebyggende sikkerhedsforanstaltninger reducerer risikoen for at starte el-værktøjet ved et tilfælde.
- **Opbevar ubenyttet elværktøj utilgængeligt for børn, og tillad ikke personer, der ikke kender elværktøjet eller disse anvisninger, at benytte elværktøjet.** Elværktøj er farligt i hænderne på brugere, der ikke kender dets rette brug.
- **Vedligehold elværktøj og tilbehør. Kontroller, at de bevægelige dele ikke er fejljusterede eller binder eller er i en tilstand, der kan påvirke elværktøjets drift. Få beskadigede elværktøjet repareret før brug.** Mange ulykker skyldes dårligt vedligeholdt elværktøj og tilbehør.
- **Hold skæreværktøj skarpe og rene.** Skæreværktøjer med skarpe kanter, der vedligeholdes ordentligt, er mindre tilbøjelige til at binde og er lettere at styre.
- **Elværktøjet, tilbehør og bits osv. skal bruges i overensstemmelse med disse instruktioner, hvor arbejdsforholdene og arbejdet, der skal udføres, skal tages i betragtning.** Anvendelse af elværktøj til andre formål end dem, de er beregnet til, kan medføre en farlig situation.

DK

- **Hold håndtag og gribeblader tørre, rene og fri for olie og fedt.** Glatte håndtag og glatte overflader, der holdes i, gør værktøjet farligt at bruge i uventede situationer.

BATTERIVÆRKTØJETS BRUG OG PLEJE

- **Genoplad kun med opladeren er angivet af fabrikanten.** Hvis en oplader, der er egnet til én slags batteri, bruges med en anden slags batteri, kan det føre til brand.
- **Anvend kun elektrisk værktøj med særligt udpegede batteripakker.** Brug af andre batterier kan skabe risiko for personskade og brand.
- **Når batteripakken ikke er i brug, skal den holdes væk fra andre metalgenstande som papirclips, mønter, nøgler, søm, skruer eller andre små metalgenstande, der kan skabe forbindelse fra en pol til en anden.** Shorting batteripolerne sammen kan forårsage forbrændinger eller brand.
- **Ved forkert anvendelse kan der slippe væske ud af batteriet: Undgå kontakt. Hvis det alligevel skulle ske, skylles med vand. Hvis væsken kommer i øjnene, skal man også søge læge.** Væske fra batteriet kan forårsage irritation eller forbrændinger.
- **Anvend ikke et batteri eller et værktøj, der er beskadiget eller modificeret.** Beskadigede eller modificerede batterier kan opføre sig uforudsigeligt og forårsage brand, eksplosion eller risiko for personskade.
- **Udsæt ikke et batteri eller et værktøj for ild eller for høj temperatur.** Udsættelse for brand eller temperatur over 100 °C kan føre til eksplosion.
- **Følg alle anvisninger vedrørende opladning, og oplad ikke batteriet eller værktøjet uden for temperaturområdet angivet i anvisningerne.** Forkert opladning eller temperaturer uden for det angivne område kan beskadige batteriet og øge risikoen for brand.

UDDANNELSE

- Læs vejledningen omhyggeligt. Gør dig bekendt med styreknapperne, og hvordan maskinen bruges ordentligt.
- Lad aldrig personer, der ikke kender disse anvisninger, eller børn til at bruge apparatet. Lokale bestemmelser kan begrænse brugerens alder.
- Maskinen må ikke bruges, hvis der er børn eller kæledyr i nærheden.
- Husk at brugeren er ansvarlig for eventuelle ulykker eller farer for andre personer eller deres ejendom.

FORBEREDELSE

- Når maskinen bruges, skal brugeren altid bruge passende fodtøj og langbukser. Maskinen må ikke bruges med bare fødder eller med åbne sandaler på.
- Undersøg grundigt området, hvor udstyret skal bruges, og fjern alle genstande, der kan slynges væk af maskinen.
- Se altid maskinen efter for slid og skader inden brug. Udskift slidte eller beskadigede dele og bolte i sæt, for at bevare balancen.

DRIFT

- Motoren må ikke bruges i lukkede rum, hvor farligt carbonmonoxid kan samle sig.
- Maskinen må kun bruges i dagslys eller i stærk kunstigt lys.
- Sørg altid for godt fodfæste på skrånende overflader.
- Gå - løb aldrig med maskinen.
- Hvis du bruger drejemaskiner med hjul på skråninger, skal du køre langs skråningen, og ikke op og ned ad skråningen.
- Vær forsigtig, når du vender retning på en skråning.
- Undgå, at bruge maskinen på meget stejle skråninger.
- Vær meget forsigtig, når du kører baglæns eller trækker maskinen mod dig selv.
- Lav ikke om på motorregulatorens indstillinger. Lad ikke motoren køre hurtigere end specificeret.
- Start forsigtigt motoren i henhold til producentens anvisninger, og med fødderne godt væk fra værktøjet.
- Dine hænder eller fødder må ikke komme i nærheden af eller under drejende dele.
- Maskinen må aldrig løftes eller bæres, når motoren kører.

BRUG AF APPARATET PÅ EN SKRÅNING:

Skråninger er en væsentlig faktor i forbindelse med glide- og faldulykker, hvilket kan føre til alvorlige skader. Sørg altid for godt fodfæste på skrånende overflader. Hvis apparatet bruges på skråninger, bedes du være yderst forsigtig. Hvis du ikke har ordentlig fodfæste på skråningen, skal du ikke bruge apparatet.

- Hold øje med huller, riller, klipper, skjulte genstande eller bump, som du kan glide på eller falde over. Genstande og forhindringer kan være skjult i højt græs.

SERVICE

- **Har Elektrisk værktøj skal serviceres af en kvalificeret reparatør kun bruger originale reservedele.** På denne måde sikrer man, at elværktøjet forbliver sikkert at bruge.

DK

- **Udfør aldrig selv service på beskadigede batterier.** Service på batterier bør kun udføres af producenten eller godkendte servicecentre.

⚠ ADVARSEL: Læs alle sikkerhedsadvarsler, anvisninger, illustrationer og specifikationer, der følger med dette elværktøj. Hvis anvisningerne nedenfor ikke følges, kan det føre til elektrisk stød, brand og/eller alvorlig personskade. Gem alle advarsler og instruktioner til fremtidig reference.

- Produktet må kun bruges med batteripakkerne og opladerne, der står på listen i fig. A

GEM DISSE VEJLEDNINGER

SPECIFIKATIONER

Diameter på børstetilbehør	250 mm	
Rengøring	560 mm	
Anbefalet driftstemperatur	-15°C-40°C	
Anbefalet opbevaringstemperatur	-20°C-70°C	
Vægt (med skærm)	5,05 kg	
Målt lydeffektniveau L_{WA}	91,4 dB(A) K = 2,02 dB(A)	
Lydtryk ved brugerens øre L_{PA}	82,8 dB(A) K = 2,5 dB(A)	
Garanteret lydeffekt L_{WA} (målt i henhold til 2000/14/EF)	93 dB(A)	
Vibrationsværdi a_{hh}	Forreste hjælpe- håndtag	0,46 m/s ² K = 1,5 m/s ²
	Baghåndtag	1,43 m/s ² K = 1,5 m/s ²

- Ovenstående parametre er blevet testet og målt under anvendelse af motordel PH1400E.
- Den deklarerede vibrationer samlede værdi er målt i overensstemmelse med en standard testmetode og kan anvendes til at sammenligne et værktøj med et andet;
- Den samlede angivne værdi for vibrationer kan også anvendes ved en foreløbig vurdering af eksponeringen.

BEMÆRK: vibrationer emission ved faktisk brug af elværktøjet kan afvige fra den angivne værdi, hvor værktøjet anvendes; For at beskytte operatøren, bør brugeren bære handsker og høreværn i de faktiske brugsforhold.

PAKKELISTE

RESERVEDELENS NAVN	ANTAL
Børstetilbehør	1
Børsterulle	2
Drivaksel	2
Skærm (med bolt)	1
Unbrakonøgle	1
Tilkoblingsstift	2
Låsestift	2
Brugervejledning	1

BESKRIVELSE

LÆR DIT BØRSTETILBEHØR AT KENDE (fig. A)

1. Endedæksel
2. Aksel til børstetilbehør
3. Skærm
4. Børsterulle
5. Gearkasse
6. Tilkoblingsstift
7. Unbrakonøgle

SAMLING

⚠ ADVARSEL: Hvis der er dele, der er beskadigede eller mangler, anvendes apparatet ikke, før delene er udskiftet. Brug af dette produkt med beskadigede eller manglende dele kan medføre alvorlig personskade.

⚠ ADVARSEL: Forsøg ikke at ændre dette produkt eller fremstille tilbehør, der ikke anbefales til brug med denne maskine. Enhver sådan ændring eller modifikation er misbrug og kan resultere i en farlig situation og føre til eventuel alvorlig personskade.

⚠ ADVARSEL: For at forebygge utilsigtet start, der kunne forårsage alvorlig personskade, skal man altid tage batteriets stik ud af stikdåsen, når der monteres dele.

⚠ ADVARSEL: Forbind ikke børstetilbehøret til motordelen, før den er samlet helt. Manglende overholdelse af anvisningerne vil kunne medføre utilsigtet igangsætning og risiko for alvorlig personskade.

MONTERING AF SKÆRMEN

⚠ ADVARSEL: Monter skærmen, før børstetilbehøret forbindes til motordelen.

1. Løsn og fjern bolten på skærmen med den medfølgende unbrakonøgle (fig. B).
2. Løft akslen til børstetilbehøret, og fjern dækslet for enden af akslen.
3. Sørg for, at rillen på skærmen passer med ribben for enden af akslen. Sæt skærmen på akslen, indtil skruhullerne på skærmen og på akslen passer med hinanden (fig. C & D).

Beskrivelse af dele i fig. C og D, se nedenfor:

C-1	Rille
C-2	Rib
D-1	Bolt

4. Brug den medfølgende unbrakonøgle til at stramme bolten med uret, og spænde skærmen ordentligt fast.

SÅDAN MONTERES BØRSTERULLERNE

1. Tryk den ene drivaksel på den anden drivaksel (fig. E).

Se beskrivelsen af delene i fig. E nedenfor:

E-1	Drivaksel
E-2	Drivaksel

2. For at spænde den ene drivaksel fast på den anden drivaksel, skal du sætte låsestiften i låsehul.

BEMÆRK: Låsestiften skal sættes på plads (fig. F).

Beskrivelse af dele i fig. F, se nedenfor:

F-1	Låsestift
F-2	Låsehul

3. Følg samme trin, for at montere den anden drivaksel.
4. Tryk børsterullen på drivakslen (fig. G).

Beskrivelse af dele i fig. G, se nedenfor:

G-1	Børsterulle
G-2	Drivaksel

5. Sæt tilkoblingsstiften i hullet for enden, for at fastspænde børsterullen på drivakslen (fig. H).

Se beskrivelsen for delene i fig. H nedenfor:

H-1	Tilkoblingsstift
-----	------------------

6. Følg samme trin, for at montere den anden børsterulle.

TILSLUTNING AF BØRSTETILBEHØRET TIL MOTORDELEN

⚠ ADVARSEL: Tilbehør må aldrig monteres eller tilpasses, mens motordelen kører eller med batteriet isat.

Hvis motoren ikke standses og batteriet ikke fjernes, kan der ske alvorlig personskade.

Dette børstetilbehør er beregnet til brug med EGO motor-del PH1400E.

1. Stop motoren, og fjern batteripakken.
2. Løsn vingemøtrikken på motordelens kobling.
3. Hvis endedækslet er på monteringsakslen, skal du fjerne det og gemme det på et sikkert sted til senere brug.

Sørg for, at pilen på akslen på børstetilbehøret passer med pilen på koblingen (fig. I), og tryk derefter børstetilbehøret ind i koblingen, indtil du hører en tydelig "KLIKLYD" (fig. J).

Beskrivelse af dele i fig. I, se nedenfor:

I-1	Knap til frigørelse af skaft
I-2	Pil på koblingen
I-3	Vingemøtrik
I-4	Pil på tilbehørsakslen
I-5	Rød linje

Beskrivelse af dele på fig. J, se nedenfor:

J-1	Rød linje
-----	-----------

4. Træk let i børstetilbehøret for at sikre, at det sidder fast i koblingen. Hvis ikke, skal du dreje børstetilbehøret frem og tilbage i koblingen, indtil du hører en tydelig "KLIKLYD", hvilket betyder at den er låst fast.
5. Spænd vingemøtrikken ordentligt.

⚠ ADVARSEL: Sørg for, at vingemøtrikken er spændt ordentligt, inden udstyret bruges. Kontroller regelmæssigt at den er spændt under brug, for at undgå alvorlig personskade.

AFTAGNING AF TILBEHØRET PÅ MOTORDELEN

1. Stop motoren, og fjern batteripakken.
2. Løsn vingemøtrikken.
3. Tryk på akseludløserknappen, og træk eller drej børstetilbehøret ud af koblingen, for at tage den af motordelen

BETJENING

⚠ ADVARSEL: Lad ikke fortroilighed med dette produkt gøre dig skodesløs. Husk på, at det kan føre til alvorlige skader, hvis du ikke er opmærksom i blot et sekund.

⚠ ADVARSEL: Bær altid sikkerhedsbriller samt høreværn. Hvis disse ikke bruges, kan du få genstande slynget i øjnene, og der kan også opstå andre alvorlige skader.

DK

⚠ ADVARSEL: Anvend ikke tilbehør eller påmonteringer, der ikke anbefales af fabrikanten af dette produkt. Brug af tilbehør eller påmonteringer, der ikke anbefales, kan forårsage alvorlig personskade.

ANVENDELSE

Du kan bruge dette produkt til de formål, der er nævnt nedenfor:

- Rengøring af områder og stier, herunder ujævne og sammenføjede overflader.
- Rengøring af fortov/beton/asfalteret indkørsler, gangstier og haver.

⚠ ADVARSEL: Brug rigtig påklædning for at mindske risikoen for skader, når du betjener dette værktøj. Undgå, at bære løstsiddende tøj eller smykker. Brug beskyttelsesbriller. Bær kraftige, lange bukser, støvler og handsker. Gå ikke i korte bukser, sandaler eller på bare fødder.

Hvis overfladen, der skal rengøres, er tør, skal du sprøjte den med vand for at reducere støvdannelsen.

Børsten skal bruges i fremadrettet retning. Hold altid børsten med den ene hånd på det bagerste håndtag og den anden hånd på det forreste hjælpehåndtag. Hold godt fast med begge hænder, når børsten bruges.

Hold og før børsten i en lav vinkel. Hvis børsten holdes i en for stejl vinkel, har den en tendens til at skubbe tilbage mod brugeren.

Hold godt fast, og find en god balance på begge fødder (fig. K).

Dele, der slynges ud, kan medføre alvorlig personskade på brugeren eller omkringstående. For at reducere risikoen for personskade, er det vigtigt at tage følgende forholdsregler:

- Hold altid børsten med begge hænder, når den bruges. Hold med et fast greb på begge håndtag.
- Flyt børsten til arbejdsområdet inden start, og start kultivatoren på en lav hastighed.
- For at mindske risikoen for personskade pga. tab af kontrol, skal du holde og føre børsten i en lav vinkel. Hvis børsten holdes i en for stejl vinkel, har den en tendens til at skubbe tilbage mod brugeren.

Før hver anvendelse undersøges for skader / slidte dele

Tjek børsterullen, skærmen og forreste støttehåndtag og drivakslen, og udskift eventuelle dele, der på nogen måde er revnede, skævede, bøjedede eller beskadigede.

Rengør børsten efter hver brug

Se afsnittet Vedligeholdelse for oplysninger om rengøring.

START/STOP AF VÆRKTØJET

Se afsnittet "START / STOP AF MOTORDELEN" i brugsanvisningen til motordel PH1400E.

VEDLIGEHOLDELSE

⚠ ADVARSEL: Ved service må der kun bruges originale reservedele. Brug af andre reservedele kan medføre fare eller forårsage skader på produktet. For at sikre sikkerhed og pålidelighed, bør alle reparationer udføres af en kvalificeret servicetekniker.

⚠ ADVARSEL: Batteridrevne værktøjer behøver ikke at være tilsluttet en stikkontakt, og derfor er de altid driftsklar. Tag ekstra forholdsregler og udvis forsigtighed, når du udfører vedligeholdelse, service eller skal skifte kultivator-tilbehøret eller andet tilbehør.

⚠ ADVARSEL: For at undgå alvorlig personskade, skal du fjerne batteriet fra motordelen og vente på, at børsten stopper inden servicering, rengøring, skift af tilbehør, og når produktet ikke er i brug.

GENEREL VEDLIGEHOLDELSE

⚠ ADVARSEL: Lad aldrig bremsevæske, benzin, oliebaseerede produkter, indtrængende olier osv. komme i kontakt med plastdele. Kemikalier kan beskadige, svække og ødelægge plastik, hvilket kan føre til alvorlige personskader.

⚠ ADVARSEL: Børstetilbehøret må IKKE nedsænkes i vand eller andre væsker, når det rengøres. Rengør ikke maskinen med en højtryksrenser. Den kraftige vandstråle kan beskadige dele af maskinen.

VEDLIGEHOLDELSE AF BØRSTERULLEN

- Rengør børsterullen regelmæssigt.
- Hvis en af børsterullerne skal skiftes på grund af beskadigelse, skal begge børsteruller skifte på én gang, for at opnå den bedste ydelse.

Al servicering af børsten - bortset fra de varer, der er anført i disse vedligeholdelsesinstruktioner - skal udføres af autoriseret servicepersonale.

UDSKIFTNING AF BØRSTERULLERNE

⚠ ADVARSEL: En beskadiget børsterulle kan gå i stykker efter længere tids brug, hvilket kan forårsage farlige projektiler. Genstande, der slynges ud, kan føre til alvorlige kvæstelser. Undersøg børsten regelmæssigt, og lad være med at bruge den med slidte eller beskadigede dele.

Afmontering (fig. L)

1. Træk tilkoblingsstiften ud på enden af drivakslen.
2. Træk i børsterullen - med dækpladen på - af drivakslen.

3. Hvis drivakslen er beskadiget, skal du trække låsestiften ud af hullet i drivakslen og trække drivakslen ud af den anden drivaksel (fig. M).
4. Hvis dækpladen er beskadiget, skal du trække den af børsterullen og udskifte den.
5. Følg samme trin, for at fjerne den anden børsterulle. Beskrivelse af dele i fig. L, se nedenfor:

L-1	Drivaksel	L-4	Tilkoblingsstift
L-2	Låsestift	L-5	Skærmplyade
L-3	Børsterulle	L-6	Drivaksel

Montering

1. Monter den ene drivaksel på den anden drivaksel, og sæt låsestiften i hullet på drivakslen (se fig. F).
2. Monter dækpladen på børsterullen, og sørg for at ribben i dækpladen passer med hullet på børsterullen (fig. N).

Beskrivelse af dele i fig. N, se nedenfor:

N-1	Hul
N-2	Rib

3. Tryk børsterullen på drivakslen (se fig. G).
4. Sæt tilkoblingsstiften i hullet på enden af drivakslen og fold den sammen.
5. Følg samme trin, for at montere den anden børsterulle.

⚠ ADVARSEL: Udskift altid begge børsteruller på samme tid.

RENGØRING AF APPARATET

- Fjern batteriet.
- Fjern eventuelle rodstykker, tilstoppede jordarter eller planter på børsterullerne, skærmen og gearkassen. For grundig rengøring, skal børsterullerne og skærmene tages af, og vaskes grundigt. For flere oplysninger om udskiftning, bedes du venligst se afsnittet »UDSKIFTNING AF BØRSTERULLERNE«.
- Hold lufthullerne fri for forhindringer.

OPBEVARING AF APPARATET

- Fjern batteripakken fra værktøjet.
- Rengør værktøjet grundigt, og se børsterullerne efter.
- Tag børstetilbehøret af motordelen, og sæt endedækslet på monteringsakslen, så snavs ikke trænger ind i koblingen.
- Opbevar værktøjet på et tørt og godt ventileret sted, der er låst og utilgængeligt for børn. Opbevar ikke apparatet på eller ved siden af kunstgødning, benzin eller andre kemikalier.

Beskyttelse af miljøet



Smid ikke elektrisk udstyr, batterioplader og batterier / genopladelige batterier i skraldespanden! Ifølge EU-direktiv 2012/19/EU og EU-direktiv 2006/66/EF skal henholdsvis elektrisk og elektronisk udstyr, der ikke længere er brugbart, og defekte eller brugte batterier/ batteripakker indsamles særskilt. Hvis elektriske apparater smides på lossepladsen eller affaldsdeponier, kan der sive giftige stoffer ned i grundvandet og komme ud i fødekæden og gøre skade på menneskers sundhed og velfærd.

DK

FEJLFINDING

DK

PROBLEM	ÅRSAG	LØSNING
Børsten vil ikke starte.	<ul style="list-style-type: none"> ■ Batteripakken er ikke sat ordentligt i motordelen. ■ Ingen elektrisk kontakt mellem motordel og batteripakke. ■ Batteriet er afladet. ■ Låsehåndtag og startknappen til motordelen er ikke blevet trykket ned samtidigt. ■ Starter stadig ikke, selv ovenstående vejledninger følges. 	<ul style="list-style-type: none"> ■ Sæt batteripakken i motordelen. ■ Tag batteriet ud, kontrollér kontakterne, og sæt batteripakken i igen, indtil den klikker på plads. ■ Oplad batteriet med de opladere fra EGO, der er anført i denne vejledning. ■ Tryk låsehåndtaget ned, og hold det nede. Tryk derefter på startknappen for at starte værktøjet. ■ Kontakt EGO's kundeservice
Børsten er beskadiget.	<ul style="list-style-type: none"> ■ Usædvanlig beskadigelse under transport eller brug. 	<ul style="list-style-type: none"> ■ Kontakt EGO's kundeservice
Børsten stopper under brug.	<ul style="list-style-type: none"> ■ Motoren er overbelastet. ■ Batteripakken eller motordelen er for varm. ■ Batteripakken er taget af værktøjet. ■ Batteriet er afladet. ■ Starter stadig ikke, selv ovenstående vejledninger følges. 	<ul style="list-style-type: none"> ■ Motoren vil begynde at køre igen, når belastningen ophører. Reducer belastningen på børsten, når den bruges igen. ■ Lad batteripakken eller motordelen køle ned, indtil temperaturen kommer under 67 °C. ■ Sæt batteripakken på plads igen. ■ Oplad batteriet med de opladere fra EGO, der er anført i denne vejledning. ■ Kontakt EGO's kundeservice

GARANTI

EGO GARANTI POLITIK

Besøg venligst hjemmesiden egopowerplus.com for fuldstændige vilkår og betingelser for EGO's garantipolitik.

LÄS IGENOM ALLA INSTRUKTIONER!



LÄS IGENOM BRUKSANVISNINGEN

⚠ Dolda risker! Personer med elektroniska enheter såsom pacemaker skall rådfråga sin läkare innan denna produkt används. Användning av elektronisk utrustning i närheten av en pacemaker kan orsaka störningar eller fel på pacemakern.

⚠ VARNING: För att garantera säkerheten och pålitligheten skall alla reparationer och utbyten utföras av en kvalificerad servicetekniker.

SÄKERHETSSYMBOL

Syftet med säkerhetssymboler är att uppmärksamma eventuella faror. Säkerhetssymbolerna och förklaringarna av dessa kräver din fullständiga uppmärksamhet och förståelse. Symbolvarningarna i sig eliminerar inte några faror. Instruktionerna och varningarna som ges är inte något substitut för korrekta åtgärder för förhindrande av olyckor.

⚠ VARNING: Var noga med att läsa och förstå alla säkerhetsinstruktioner i denna bruksanvisning, inklusive alla varningssymboler som t.ex. **“FARA!”**, **“VARNING!”** och **“FÖRSIKTIGHET!”** innan du använder detta verktyg. Underlåtenhet att läsa alla instruktioner som listas nedan kan resultera i elektrisk stöt, brand och/eller allvarlig personskada.

SYMBOLBETYDELSE

⚠ SÄKERHETSLARMSYMBOL: Indikerar **FARA**, **VARNING** ELLER **FÖRSIKTIGHET**, kan användas tillsammans med andra symboler eller bilder.




⚠ VARNING: Användning av något elverktyg kan resultera i att främmande föremål kastas in i dina ögon vilket kan resultera i allvarliga ögonskador. Innan elverktyget börjar användas skall alltid skyddsglasögon eller skyddsglasögon med sidoskydd och full ansiktsskydd användas när så behövs. Vi rekommenderar att en ansiktsskydd med brett synfält används ovanpå glasögonen eller standard skyddsglasögon med sidoskydd.

SÄKERHETSINSTRUKTIONER

Denna sida framställer och beskriver säkerhetssymboler som kan visas på denna produkt. Läs igenom, förstå och följ alla instruktioner på maskinen innan försök görs att montera och hantera den.

	Säkerhetslarm	Indikerar en potentiell risk för personskada.
	Läs igenom bruksanvisningen	För att minska risker för skador måste användare läsa igenom och förstå bruksanvisningen innan denna produkt används.
	Använd ögonskydd	Använd alltid skyddsglasögon eller säkerhetsglasögon med sidoskydd och en full ansiktsskydd när denna produkt används.
	Håll åskådare på avstånd	Håll åskådare på ett säkert avstånd
	Använd skyddshandskar	Skydda dina händer med handskar när bladen hanteras. Kraftiga och halkfria handskar förbättrar ditt grepp och skyddar dina händer.
	Använd skyddsskor	Använd halkfria skyddsskor vid användning av denna utrustning.
	Rikoschett	Föremål som slungas ut kan studsas och orsaka skador på person eller egendom.
	Utsätt den inte för regn	Använd den inte vid regn och lämna den inte utomhus om det regnar.
	CE	Denna produkt är i enlighet med gällande EG-direktiv.
	WEEE	Förbrukade elektriska produkter får inte kastas i hushållssoporna. Lämna in dem till en auktoriserad återvinningsstation.

SE

	Buller	Garanterad ljudeffektnivå. Bulleremissioner för omgivningen enligt EU-direktivet.
V	Volt	Spänning
mm	Millimeter	Längd eller storlek
kg	Kilogram	Vikt

ALLMÄNNA SÄKERHETSVARNINGAR FÖR ELVERKTYG

⚠ VARNING! Läs igenom alla säkerhetsvarningar, instruktioner, illustrationer och specifikationer som medföljer detta motordrivna verktyg. Underlåtenhet att följa alla instruktioner som listas nedan kan resultera i elektriska stötar, brand och/eller allvarliga personskador.

Spara alla varningar och instruktioner för framtida referens

ARBETSPLATSSÄKERHET

- **Håll arbetsområdet rent och ordentligt upplyst.** Belamrade eller mörka områden inbjuder till olyckor.
- **Använd inte motordrivna verktyg i explosiva miljöer som t.ex. i närvaron av brandfarliga vätskor, gaser eller damm.** Elverktyg skapar gnistor vilka kan antända dammet eller ångorna.
- **Håll barn och åskådare borta medan elverktyget arbetar.** Störningarna kan göra att du tappar kontrollen.

ELEKTRISK SÄKERHET

- **Utsätt inte elverktyg för regn eller våta förhållanden.** Vatten som kommer in i ett elektriskt verktyg ökar risken för elektriska stötar.

PERSONLIG SÄKERHET

- **Var uppmärksam och observant samt använd sunt förnuft när du använder ett elverktyg. Använd inte ett motordrivet verktyg om du är trött eller under påverkan av droger, alkohol eller medicin.** Ett ögonblick av ouppmärksamhet under arbete med elverktyg kan resultera i allvarliga personskador.
- **Använd alltid personlig skyddsutrustning.** Skyddsutrustning som t.ex. ögonskydd, dammask, halkfria skyddsskor, hjälm och/eller hörselskydd som används under korrekta förhållanden minskar risken för personskador.
- **Förebygg oavsiktlig igångsättning. Se till att strömbrytaren är i fränläge innan du ansluter till strömkällan och/eller batteripaketet, plockar upp eller bär verktyget.** Att bära elverktyget med fingret på strömbrytaren eller verktyg som är påslagna inbjuder till olyckor.

- **Ta bort inställningsnycklar eller skiftnycklar innan elverktyget slås på.** En skiftnyckel eller en nyckel som sitter kvar på en roterande del av elverktyget kan resultera i personskada.
- **Sträck dig inte för långt. Ha ordentligt fotfäste och balans hela tiden.** Detta möjliggör bättre kontroll av elverktyget i oväntade situationer.
- **Klä dig på lämpligt sätt. Använd inte löst sittande kläder eller smycken. Håll ditt hår, kläder och handskar borta från rörliga delar.** Löst sittande kläder, smycken och långt hår kan fastna i rörliga delar.
- **Om enheter för anslutning av dammuppsamlare finns tillgängliga, se till att de är anslutna och används på korrekt sätt.** Användning av dammuppsamlare kan minska dammrelaterade faror.
- **Var alltid uppmärksam vid användning av verktyget, även efter många användningstillfällen, och ignorera inte verktygets säkerhetsprinciper.** En vårdslös handling kan orsaka allvarliga personskador inom bråkdelen av en sekund.

PELVERKTYG ANVÄNDNING OCH SKÖTSEL

- **Tvinga inte elverktyget. Använd ett korrekt elverktyg för ditt arbete.** Ett korrekt elverktyg utför jobbet bättre och säkrare om det används för rätt arbete.
- **Använd inte elverktyget om strömbrytaren inte kan slås på eller stängas av.** Ett elverktyg som inte kan kontrolleras med strömbrytaren är farligt och måste repareras.
- **Ta bort batteripaketet (om löstagbart) från det motordrivna verktyget och/eller aktivera eventuell frångkopplingsenhet för batteriet innan material som fastnat tas bort, justeringar, utbyte av tillsatser, rengöring och förvaring av motordrivet verktyg.** Såsom preventiva skyddsåtgärder för att minska risken att elverktyget startar oavsiktligt.
- **Förvara elverktyg som går på tomgång utom räckhåll för barn och låt inte personer som är ovana med elverktyget eller dessa instruktioner använda elverktyget.** Elektriska verktyg är farliga i händerna på utbildade användare.
- **Underhåll av motordrivna verktyg och tillbehör. Kontrollera felinställningar eller om rörliga delar har fastnat, bristning hos delar och andra eventuella förhållanden som kan komma att påverka elverktygets funktion. Om det är skadat lämna in elverktyget för reparation innan det används.** Många olyckor beror på dåligt underhållna motordrivna verktyg och tillbehör.

- **Håll kapverktyg vassa och rena.** Ordentligt underhållna kapningsverktyg med vassa sågkanter är mindre sannolika att fastna och är lättare att kontrollera.
- **Använd det motordrivna verktyget, tillbehör, insatsverktyg osv. i enlighet med dessa instruktioner och ta hänsyn till arbetsförhållanden och det arbete som ska utföras.** Om elverktyget används för andra arbeten än det är avsett för kan det resultera i farliga situationer.
- **Håll handtagen och greppytan torra, rena och fria från olja och fett.** Hala handtag och greppytor förhindrar säker hantering och kontroll av verktyget vid oväntade situationer.

ANVÄNDNING OCH SKÖTSEL AV BATTERIDRIVET VERKTYG

- **Ladda endast med den laddare som rekommenderas av tillverkaren.** En laddare som är lämplig för en typ av batteripaket kan skapa en risk för brand när den används med ett annat batteripaket.
- **Använd endast elverktyg med deras särskilt avsedda batteripaket.** Användning av andra batteripaket kan medföra risk för personskador och eld.
- **När batteripaketet inte används, håll det borta från metallobjekt som t.ex. pappersgem, mynt, nycklar, spikar, skruvar och andra små metallobjekt som kan bilda en anslutning från en batterikontakt till den andra.** Kortslutning av batteriets terminaler kan orsaka brännskador eller en brand.
- **Under olämpliga förhållanden kan vätska spruta ut från batteriet. Undvik kontakt. Vid oavsiktlig kontakt, spola med vatten. Om vätskan kommer i kontakt med ögonen, sök också läkarhjälp.** Vätska som sprutar ur batteriet kan orsaka sveda och brännskador.
- **Använd inte ett batteripaket eller verktyg som skadats eller modifierats.** Skadade eller modifierade batterier kan leda till oförutsägbart uppträdande som leder till brand, explosion eller risk för personskador.
- **Utsätt inte batteripaketet eller verktyget för eld eller extrema temperaturer.** Exponering av eld eller temperaturer över 100 °C kan orsaka explosion.
- **Följ alla laddningsinstruktioner och ladda inte batteripaketet eller verktyget utanför det temperaturområde som anges i instruktionerna.** Felaktig laddning eller vid temperaturer utanför angivet temperaturområde kan skada batteriet och ökar risken för brand.

ÖVRIGA SÄKERHETSVARNINGAR

Utbildning

- Läs igenom instruktionerna noggrant. Bekanta dig med kontrollerna och korrekt användning av maskinen.
- Låt aldrig personer som är obekanta med dessa instruktioner eller barn använda maskinen. Lokala föreskrifter kan begränsa åldern för användare.
- Arbeta aldrig medan personer, särskilt barn eller djur finns i närheten.
- Kom ihåg att operatören eller användaren är ansvarig för olyckor och faror som drabbar andra personer eller deras egendom.

Förberedelse

- Under användning ska du alltid bära kraftiga skor och långbyxor. Använd inte denna utrustning när du är barfota eller använder öppna sandaler.
- Kontrollera noggrant det område där utrustningen ska användas och ta bort alla föremål som kan slungas iväg av maskinen
- Innan användning ska du alltid visuellt kontrollera att verktygen inte är utslitna eller skadade. Byt ut slitna eller skadade delar och bultar i set för att bibehålla balansen.

Drift

- Använd inte motorn i avgränsade utrymmen där farliga kolmonoxidångor kan samlas.
- Arbeta endast i dagsljus eller i bra artificiellt ljus
- Se alltid till att du är stadig på foten i slänter.
- Gå. Spring aldrig med maskinen.
- För hjulförsedda rotationsmaskiner, rör dig alltid långsamt med lutningar aldrig uppåt och nedåt.
- Var extra försiktig när du byter riktning i sluttningar.
- Arbeta inte i alltför branta sluttningar.
- Var extra försiktig när du backar eller drar maskinen mot dig.
- Ändra inte motorns regulatorinställningar och övervarva inte motorn.
- Starta motorn försiktigt enligt tillverkarens anvisningar och med fötterna långt bort från verktyget.
- Placera inte händer eller fötter i närheten eller under de roterande delarna.
- Lyft aldrig upp eller bär en maskin när motorn är igång.

ARBETE I EN SLUTTNING:

Sluttningar är en stor faktor för halka-och-falla olyckor

SE

vilket kan resultera i allvarlig skada. Se alltid till att du är stadig på foten i slänter. Arbete i sluttningar kräver extra försiktighet. Om du känner dig osäker i en sluttning, använd den inte.

- Se upp för håll, stenar, dolda föremål eller gupp som kan göra att du halkar eller snubblar. Högt gräs kan dölja hinder.

SERVICE

- **Lämna ditt elverktyg för service hos en kvalificerad servicetekniker som endast använder identiska utbytesdelar.** Det säkerställer att säkerheten hos det motordrivna verktygets underhålls.
- **Utför aldrig service på skadade batteripaket.** Service av batteripaket bör endast utföras av tillverkaren eller auktoriserade serviceverkstäder.

⚠ VARNING: Läs igenom alla säkerhetsvarningar, instruktioner, illustrationer och specifikationer som medföljer detta motordrivna verktyg. Underlåtenhet att följa alla instruktioner som listas nedan kan resultera i elektriska stötar, brand och/eller allvarliga personskador. Spara alla varningar och instruktioner för framtida referens

- Använd endast med de batteripack och laddare som listas i bild A.

SPARA DESSA INSTRUKTIONER

SPECIFIKATIONER

Diameter borststrumpa	250 mm	
Rensa slättersträng	560 mm	
Rekommenderad användningstemperatur	-15 °C - 40 °C	
Rekommenderad förvaringstemperatur	-20 °C - 70 °C	
Vikt (inklusive skydd)	5,05 kg	
Uppmätt ljudeffektnivå L_{WA}	91,4 dB(A) K=2,02 dB(A)	
Ljudtrycksnivå vid operatörens öra L_{PA}	82,8 dB(A) K=2,5 dB(A)	
Garanterad ljudeffektnivå L_{WA} (mätt enligt 2000/14/EG)	93 dB(A)	
Värdering av vibration a_h	Främre handtag	0,46 m/s ² K = 1,5 m/s ²
	Bakre handtag	1,43 m/s ² K = 1,5 m/s ²

- Ovanstående parametrar har testats och utmätts med motorenhet PH1400E.

- Det deklarerade totala vibrationsvärdet har uppmätts i enlighet med en standardtestmetod och kan användas för att jämföra ett verktyg med ett annat.
- Det deklarerade totala vibrationsvärdet kan också användas i en preliminär utvärdering av exponeringen.

OBS! Vibrationsutstrålningen under verklig användning av elverktyg kan skilja sig från det deklarerade värdet i vilken verktyget används. För att skydda användaren skall skyddshandskar och hörselskydd användas under faktiska användningsförhållandet.

PACKLISTA

ARTIKELNAMN	KVANTITET
Tillsatsborste	1
Borstrulle	2
Drivaxel	2
Skydd (med bult)	1
Insexnyckel	1
Kopplingspinne	2
Låsstång	2
Bruksanvisning	1

BESKRIVNING

LÄR KÄNNA DITT BORSTTILLBEHÖR (bild A)

1. Ändlock
2. Borsttillbehörets axel
3. Skydd
4. Borstrulle
5. Växellåda
6. Kopplingspinne
7. Insexnyckel

MONTERING

⚠ VARNING: Om någon del är skadad eller saknas skall inte denna produkt användas innan delarna ersatts. Användning av denna produkt om den är skadad eller saknar delar kan resultera i allvarliga personskador.

⚠ VARNING: Försök inte att modifiera denna produkt eller skapa tillbehör som inte rekommenderas för användning med denna maskin. Alla sådana ändringar eller modifieringar är missbruk och kan resultera i allvarliga situationer som kan leda till allvarliga personskador.

⚠ VARNING: För att förhindra oavsiktlig start som kan orsaka allvarliga personskador, koppla alltid ur batterikontakten från uttaget vid montering av delar.

⚠ VARNING: Anslut inte borsten förrän monteringen är slutförd. Underlåtenhet att följa detta kan resultera i oavsiktlig maskinstart och allvarliga personskador.

MONTERA SKYDDET

⚠ VARNING: Montera skyddet innan borsten kopplas till motorenheten.

- Lossa och ta bort bulten från skyddet med insexnyckeln (bild B).
- Lyft borststillbehörets axel och ta bort ändlocket från axeln.
- Rikta in spåret i skyddet med metallfliken på axelns ände, sätt skyddet genom axeln tills skruvhålen i skyddet och metallfliken är inriktade (bild C och D).

Bild C och D. Se nedan för beskrivning av delar:

C-1	Spår
C-2	List
D-1	Bult

- Använd insexnyckel för att dra åt bulten medurs så att skyddet låses fast ordentligt.

ANVÄNDA BORSTRULLEN

- Skjut på drivaxeln på drivskafet (bild E).

Bild E. Se nedan för beskrivning av delar:

E-1	Drivskafet
E-2	Drivaxel

- För att säkra drivaxeln på drivaxeln sätter du i låspinnen i låshålet.

NOTERA: Låspinnen måste installeras på plats (bild F).

Bild F. Se nedan för beskrivning av delar:

F-1	Lås-pinne
F-2	Låshål

- Följ samma steg för att montera den andra drivaxeln.
- Skjut borstrullen på drivaxeln (bild G).

Bild G. Se nedan för beskrivning av delar:

G-1	Borstrulle
G-2	Drivaxel

För att säkra bladet på drivaxeln sätter du i kopplingspinnen i lås (bild H).

Bild H. Se nedan för beskrivning av delar:

H-1	Kopplingspinne
-----	----------------

- Följ samma steg för att montera den andra borstrullen.

ANSLUTA BORSTTILLBEHÖRET FÖR TILLMOTORENHETEN

⚠ VARNING: Du får aldrig montera eller justera något tillbehör medan motorenheten är igång eller med batteriet monterat. Underlåtenhet att stoppa motorn och ta ut batteriet kan orsaka allvarliga personskador.

Detta borsttillbehör är utvecklat för användning med EGO-motorenhet PH1400E.

- Stoppa motorn och ta bort batteripaketet
- Lossa vingmuttern på motorenhetens fäste.
- Om ändlocket är på tillbehörets axel ska du ta bort det och spara det på ett säkert ställe för senare användning.

Rikta in pilen på borstens axel med pilen på fästet (Bild I) och tryck borstens axel in i fästet tills du hör ett tydligt "KLICK"-ljud (Bild J).

Bild I. Se nedan för beskrivning av delar:

I-1	Frigöringsknapp för axeln
I-2	Pil på fästet
I-3	Vingmutter
I-4	Pil på tillbehörets axel
I-5	Röd linje

Bild J delarnas beskrivning se nedan:

J-1	Röd linje
-----	-----------

- Dra lätt i borsttillbehörets axel för att bekräfta att den är fastlåst i kopplingen. Om inte, flytta borstens axel fram och tillbaka i fästet tills ett tydligt "KLICK"-ljud indikerar att det är inkopplat.
- Dra åt vingmuttern ordentligt.

⚠ VARNING: Säkerställ att vingmuttern på fästet är helt åtdragen innan utrustningen används. Kontrollera regelbundet att den är åtdragen före användning för att undvika allvarliga personskador.

TA BORT TILLBEHÖR FRÅN MOTORENHETEN

- Stoppa motorn och ta bort batteripaketet.
- Lossa på vingmuttern.
- När lås-knappen på axeln är nedtryckt drar eller vrids du borsttillbehörets axel ur fästet för att ta bort det från motorenheten

ANVÄNDNING

⚠ VARNING: Bli inte vårdslös bara för att du är bekant med denna produkt. Kom ihåg att oaksamhet under en bråkdel av en sekund är tillräcklig för att orsaka allvarliga skador.

⚠ VARNING: Använd alltid ögonskydd, tillsammans med hörselskydd. Om inte så görs kan det resultera i att föremål kastas in i ögonen och andra möjliga allvarliga skador.

⚠ VARNING: Använd inga andra tillsatser eller tillbehör än de som rekommenderas av tillverkaren av denna produkt. Användning av tillbehör eller tillsatser som inte rekommenderas kan resultera i allvarlig personskada.

SE

TILLÄMPNINGAR

Du kan använda denna produkt för de tillämpningar som listas nedan:

- Rengöring av områden och stigar inklusive ojämna och sammansatta ytor.
- Rengöring av trottoar/betong/asfaltsvägar, gångbanor och gårdar.

⚠ VARNING: Använd korrekta kläder för att minska risken för personsador vid användning av detta verktyg. Bär inte löst sittande kläder eller smycken. Använd ögonskydd. Använd rejäla långbyxor, kängor och handskar. Använd inte kortbyxor, sandalar eller gå barfota.

Om ytan som skall rengöras är torr, spruta med vatten för att minska mängden damm som skapas.

Du bör använda med borsten framåt. Håll borsten med ena handen på det bakre handtaget och den andra handen på det främre handtaget. Håll borsten stadigt med båda händerna vid användning.

Håll och styr borsten i en flack vinkel. Om borsten hålls i alltför djup vinkel tenderar borstpaketet tendera den att skjutas bakåt mot operatören.

Se till att du har ett bra grepp och god balans med båda fötterna (Bild K).

Utslungade material kan skada användaren eller åskådare allvarligt. För att minska risken för personsador är det mycket viktigt att utföra följande försiktighetsåtgärder:

- Håll alltid borsten med båda händerna vid användning. Håll stadigt i båda handtagen.
- Flytta borsten till arbetsområdet innan du börjar och starta borsten på en låg hastighet.

- För att minska risken för skador för att kontrollen förloras, håll och styr borsten i en flat vinkel. Om borsten hålls i alltför djup vinkel tenderar borstpaketet tendera den att skjutas bakåt mot operatören.

Kontrollera efter skadade/slitna delar före varje användning.

Kontrollera borstrullen, skyddet och det främre handtaget och byt ut delar som är spruckna, skeva, böjda eller skadade på något sätt.

Rengör borstrullen efter varje användning

Se avsnittet Underhåll för rengöringsinstruktioner.

STARTA/STOPPA VERKTYGET

Se avsnittet "STARTA/STOPPA MOTORENHETEN" i bruksanvisningen för motorenhet PH1400E.

UNDERHÅLL

⚠ VARNING: Vid service ska enbart identiska utbyteskomponenter användas. Användning av andra delar kan skapa risker eller orsaka produktskador. För att garantera en säker och pålitlig användning måste alla reparationer utföras av en kvalificerad servicetekniker.

⚠ VARNING: Batteridrivna verktyg behöver inte vara anslutna till ett eluttag och är därför alltid redo för användning. För att förhindra allvarliga personsador, vidta extra försiktighet och omsorg vid underhåll, service eller när skärenhet eller andra tillbehör byts ut.

⚠ VARNING: För att förhindra allvarliga personsador ska du ta bort batteriet från motorenheten och vänta tills alla bladen har stannat före service, rengöring, byte av tillbehör eller när produkten inte används.

ALLMÄNT UNDERHÅLL

⚠ VARNING: Låt aldrig bromsvätska, bensin, petroleumbaserade produkter, smörjfett osv. komma i kontakt med plastdelarna. Kemikalier kan skada, försvaga eller förstöra plast vilket kan resultera i allvarliga personsador.

⚠ VARNING: Vid rengöring av kultivatortillbehöret, sänk INTE ned det i vatten eller annan vätska. Rengör inte maskinen med en högtryckstvätt. Den hårda vattenstrålen kan skada maskinens delar.

UNDERHÅLL AV BORSTRULLE

- Rengör borstrullen regelbundet.
- Om något av borstrullen behöver bytas ut på grund av slitage bör du byta ut alla fyra bladen för bästa prestanda.

All service av borstrulle, utöver det som anges i dessa underhållsinstruktioner, ska utföras av auktoriserad servicepersonal.

BYTA UT BORSTRULLARNA

⚠ VARNING: En skadad borstrulle brytas sönder i delar efter lång användning vilket kan orsaka farliga projektiler. Slungade objekt iväg kan orsaka allvarliga personskador. Inspektera borstrullen regelbundet och använd inte borstrullen med ett slitna eller skadade delar.

Borttagning (bild L)

1. Ta bort kopplingspinnen från änden på drivaxeln.
2. Skjut borstrullen, tillsammans med täckplattan på den, av drivaxeln.
3. Om drivaxeln är skadad, ta bort låspinnen från hålet på drivaxeln och dra av drivaxeln från drivskaflet (bild M).
4. Om täckplattan är skadad, dra bort den från borstrullen och byt ut den.
5. Följ samma steg för att ta bort den andra borstrullen.

Bild L. Se nedan för beskrivning av delar:

L-1	Drivna skaflet	L-4	Kopplingspinne
L-2	Låspinne	L-5	Täckplatta
L-3	Borstrulle	L-6	Drivaxel

Installation

1. Installera drivaxeln på drivskaflet och sätt in låspinnen i hålet på drivaxeln (se bild F).
2. Installera täckplattan på borstrullen med flänsen i täckplattan i linje med hålet på borstrullen (bild N).

Bild N. Se nedan för beskrivning av delar:

N-1	Hål
N-2	List

3. Skjut borstrullen på drivaxeln (se bild G).
4. Sätt in kopplingspinnen i hålet på änden av drivaxeln och vid den platt.
5. Följ samma steg för att montera den andra borstrullen.

⚠ VARNING: Byt alltid borstrullarna samtidigt.

RENGÖRA ENHETEN

- Ta ut batteriet.
- Ta bort rottdelar, jord och växter på borstrullarna, skyddet och växellådan. För noggrann rengöring tar du bort borstrullarna och skyddet så att du kan tvätta av dem ordentligt. För detaljerade steg för byten, se sektionen ovan "BYTA BORSTRULLARNA".

- Se till att luftventilerna inte blockeras.

FÖRVARA ENHETEN

- Ta ut batteripaketet från verktyget.
- Rengör verktyget nogga och inspektera borstrullarna.
- Ta bort borstrullen från motorenheten och täck fast fästaxeln med ändkåpan för att undvika att smuts kommer in i fästet.
- Förvara verktyget på en torr, välventilerad plats, inlåst eller högt upp, utom räckhåll för barn. Förvara inte enheten på eller i anslutning till gödningsmedel, bensin eller andra kemikalier.

Skydda miljön



Kasta inte elektrisk utrustning, batteriladdare och batterier/laddningsbara batterier i hushållssoporna! Enligt det europeiska direktivet 2012/19/EU om avfall som utgörs av eller innehåller elektrisk och elektronisk utrustning, och enligt det europeiska direktivet 2006/66/EG för defekta eller förbrukade batteripaket/batterier, måste de samlas in separat. Om elektriska apparater kasseras på avfallsupplag eller soptippar kan farliga ämnen läcka ut i grundvattnet och tränga in i livsmedelskedjan och skada din hälsa och välbefinnande.

SE

FELSÖKNING

PROBLEM	ORSAK	LÖSNING
Borsten startar inte.	<ul style="list-style-type: none"> ■ Batteripaketet är inte ordentligt monterat på motorenheten. ■ Det saknas elektrisk kontakt mellan motorenheten och batteripaketet. ■ Batteriet är helt tomt. ■ Låsspaken och avtryckaren på motorenheten trycks inte in samtidigt. ■ Startar fortfarande inte av någon anledning. 	<ul style="list-style-type: none"> ■ Montera batteripaketet på motorenheten. ■ Ta bort batteriet, kontrollera kontakterna och sätt tillbaka batteripaketet så att det klickar på plats. ■ Ladda batteripaketet med en EGO-laddare som listas i denna bruksanvisning. ■ Tryck in startspärren och håll den nertryckt, tryck sedan in avtryckaren för att slå på enheten. ■ Kontakta EGO Kundtjänst.
Borsten är tydligen skadad.	<ul style="list-style-type: none"> ■ Onormal skada under transport eller användning. 	<ul style="list-style-type: none"> ■ Kontakta EGO Kundtjänst.
Borsten stannar under borstningen.	<ul style="list-style-type: none"> ■ Motorn är överbelastad. ■ Batteripaketet eller motorenheten är alltför heta. ■ Batteripaketet är inte anslutet till verktyget. ■ Batteriet är helt tomt. ■ Startar fortfarande inte av någon anledning. 	<ul style="list-style-type: none"> ■ Motorn hämtar igen sig när belastningen har tagits bort. För kontinuerlig användning, minska motorenhetens belastning. ■ Låt batteripaketet eller motorenheten svalna tills temperaturen sjunker under 67 °C. ■ Montera batteripaketet igen. ■ Ladda batteripaketet med en EGO-laddare som listas i denna bruksanvisning. ■ Kontakta EGO Kundtjänst.

SE

GARANTI

EGO GARANTIPOLICY

Besök webbsidan egopowerplus.com för fullständiga villkor för EGO garantipolicy.

LUE KAIKKI OHJEET!



LUE KÄYTTÖOPAS

⚠ Jäännösriski! Henkilöiden, joilla on sydämentahdistin tai muu vastaava elektroninen laite, tulisi keskustella lääkärin kanssa ennen tämän tuotteen käyttöä. Sähkölaitteiden käyttö sydämentahdistimen lähetyksillä saattaa häiritä tahdistimen toimintaa tai aiheuttaa vakavan toimintahäiriön.

⚠ VAROITUS: Anna asiantuntevan huoltoteknikon tehdä kaikki korjaukset ja osien vaihdot, jotta laite on varmasti turvallinen ja luotettava.

TURVALLISUUSYMBOLIT

Turvallisuussymbolien tarkoituksena on kiinnittää huomiota mahdollisiin vaaroihin. Turvallisuussymbolit ja niiden selitykset on syytä lukea tarkkaan ja ymmärtää perusteellisesti. Varoitussymbolit eivät yksin poista vaaran mahdollisuutta. Niiden antamat ohjeet ja varoitukset eivät korvaa kunnollisia onnettomuuksien ehkäisytoimenpiteitä.

⚠ VAROITUS: Lue ja ymmärrä tämän käyttöoppaan kaikki turvallisuusohjeet, mukaan lukien kaikki turvallisuusvaroitussymbolit, kuten **"VAARA"**, **"VAROITUS"** ja **"HUOMIO"** ennen laitteen käyttämistä. Alla olevien ohjeiden noudattamatta jättäminen saattaa aiheuttaa sähköiskun, tulipalon ja/tai vakavan henkilökohtaisen vamman.

SYMBOLIEN MERKITYKSET

⚠ TURVALLISUUSHÄLYTYKSEN SYMBOLI: Ilmaisee **VAARAA**, **VAROITUSTA** tai **HUOMIOTA**, voidaan käyttää muiden symboleiden tai kuvamerkkien yhteydessä.



⚠ VAROITUS: Minkä tahansa sähkötyökalun käyttö saattaa aiheuttaa vierasesineiden sinkoutumisen silmiin, mikä voi aiheuttaa vakavia silmävammoja. Käytä aina suojalaseja, joissa on sivusuojat, ja tarvittaessa koko kasvat peittävää suojaa, kun käytät sähkötyökaluja. Silmälasien päällä suosittelemme käytettäväksi suojamaskia, jossa on laaja näkökenttä, tai tavallisia suojalaseja, joissa on sivusuojat.

TURVALLISUUSOHJEET

Tällä sivulla kuvataan ja esitellään turvallisuussymbolit, jotka saattavat esiintyä tässä tuotteessa. Lue, ymmärrä ja noudata kaikkia laitteen ohjeita ennen kuin yrität koota sen tai käyttää sitä.

	Turvallisuus-hälytys	Osoittaa mahdollista henkilövahinkojen vaaraa.
	Lue käyttö- opas	Käyttäjän on luettava ja ymmärrettävä käyttöopas ennen tämän laitteen käyttöä loukkaantumisvaaran vähentämiseksi.
	Käytä silmä- suojaimia	Käytä aina suojalaseja, joissa on sivusuojat, ja koko kasvat peittävää suojaa, kun käytät laitetta.
	Pidä sivulliset etäällä	Pidä sivulliset turva- llisella etäisyydellä
	Käytä suoja- käsineitä	Käytä suojakäsineitä, kun käsittelet teriä. Kestävät, liukumattomat hansikkaat parantavat otetta ja suojaavat käsiäsi.
	Käytä turva- jalkineita	Käytä luistamattomia turvajalkineita varusteen käytön aikana.
	Kimpoamis- vaara	Sinkoutuvat esineet voivat kimmota ja aiheuttaa henkilö- tai omaisuusvahingon.
	Älä altista sateelle	Älä käytä sateella tai jätä ulos sateeseen.
	CE	Tämä tuote vastaa sovellet- tavia EU-direktiivejä.
	WEEE	Vanhoja sähkölaitteita ei saa hävittää kotitalous- jätteen mukana. Vie laite valtuutettuun kierrätyslai- tokseen.
	Melu	Taattu äänitehotaso. Melupäästöt ympäristöön Euroopan yhteisön direktii- vin mukaiset
V	Voltti	Jännite
mm	Millimetri	Pituus tai koko
kg	Kilogramma	Paino

YLEISET SÄHKÖTYÖKALUJEN TURVALLISUUSVAROITUKSET

VAROIT US! Lue kaikki tämän sähkötyökalun mukana tulleet turvallisuusvaroitukset, ohjeet, piirustukset ja tekniset tiedot. Jos kaikkia alla olevia ohjeita ei noudateta, seurauksena saattaa olla sähköisku, tulipalo ja/tai vakava loukkaantuminen.

Säilytä kaikki varoitukset ja ohjeet myöhempää käyttöä varten.

TYÖALUEEN TURVALLISUUS

- **Pidä työskentelyalue siistinä ja hyvin valaistuna.** Sotkuiset tai hämärät alueet aiheuttavat onnettomuuksia.
- **Älä käytä sähkötyökaluja räjähdysriskissä ympäristössä, kuten syttyvien nesteiden, kaasujen tai pölyn läheisyydessä.** Sähkötyökalut saattavat aiheuttaa kipinöitä, jotka voivat sytyttää tomin tai höyryjä.
- **Älä päästä lapsia tai sivullisia lähelle, kun käytät sähkötyökaluja.** Häiriötekijät voivat aiheuttaa hallinnan menettämisen.

SÄHKÖTURVALLISUUS

- **Älä altista sähkötyökaluja sateelle tai kosteudelle.** Sähkötyökaluun pääsevä vesi lisää sähköiskun vaaraa.

HENKILÖKOHTAINEN TURVALLISUUS

- **Ole valpas, tarkkaavainen ja käytä maalaisjärkeä, kun käytät sähkötyökalua. Älä käytä sähkötyökalua, kun olet väsynyt tai kun olet huumeiden, alkoholin tai lääkityksen vaikutuksen alaisena.** Hetkellinenkin huomion herpaantuminen sähkötyökalua käytettäessä saattaa aiheuttaa vakavan henkilökohtaisen vammaan.
- **Käytä aina henkilönsuojaimia.** Suojavarusteiden, kuten suojalasien, hengityssuojaimen, luistamattomien turvakenkien, suojakypärän ja/tai kuulosuojaimien, käyttö tarvittaessa vähentää loukkaantumisriskiä.
- **Estä vahingossa käynnistyminen. Varmista, että kytkin on off-asennossa, ennen kuin liität virtalähteen ja/tai akun, nostat laitteen tai kannat sitä.** Sähkötyökalujen kantaminen niini, että sormesi on kytkimellä, tai sähkötyökaluihin virran kytkeminen kytkin päällä voi aiheuttaa onnettomuuksia.
- **Poista kaikki säätöön käytetyt avaimet tai kiintoavaimet ennen kuin käynnistät sähkötyökalun.** Sähkötyökalun pyöriivään osaan jätetty avain tai kiintoavain saattaa aiheuttaa henkilövammaan.

- **Älä kurkottele.** Säilytä aina tukeva asento ja hyvä tasapaino. Näin hallitset sähkötyökalun parhaalla mahdollisella tavalla odottamattomissa tilanteissa.
- **Pukeudu asianmukaisesti. Älä käytä väljiä vaatteita tai koruja. Pidä hiuksesi, vaatteesi ja käsineesi poissa liikkuvien osien läheltä.** Väljät vaatteet, korut tai pitkät hiukset voivat takertua liikkuviin osiin.
- **Jos laitteissa on liitännät pölynpoistolaitteille ja keräilylaitteille, varmista, että ne on liitetty ja niitä käytetään oikein.** Pölynpoistolaitteiden käyttö voi vähentää pölyyn liittyviä vaaroja.

Älä anna tuotteen tuttuuden toistuvan käytön takia tehdä sinua liian itsevarmaksi, äläkä jätä työkalun turvallisuusohjeita noudattamatta. Huolimaton toiminta voi aiheuttaa vakavan henkilövahingon sekunnin murto-osassa.

SÄHKÖTYÖKALUJEN KÄYTTÖ JA KUNNOSSAPITO

- **Älä pakota sähkötyökalua. Käytä omaan käyttötarkoitukseesi soveltuvaa sähkötyökalua.** Oikea sähkötyökalu suoriutuu parhaiten ja turvallisimmin tehtävästä sille tarkoitettulla nopeudella.
- **Älä käytä sähkötyökalua, jos sitä ei saa käynnistettyä ja suljettua kytkimellä.** Sähkötyökalun, jota ei voida hallita kytkimellä, käyttö on vaarallista ja laite on korjattava.
- **Irrota sähkötyökalusta akku, mikäli irrotettavissa, ja/tai irtikytkentälaitte ennen tukosten poistamista, säätöjen tekemistä, lisävarusteiden vaihtamista, puhdistamista tai sähkötyökalujen asettamista säilytykseen.** Nämä estävät turvallisuustoimenpiteet vähentävät sähkötyökalun vahingossa käynnistämisen riskiä.
- **Säilytä käyttämättömiä sähkötyökaluja lasten ulottumattomissa, äläkä anna henkilöiden, jotka eivät tunne sähkötyökalua tai näitä ohjeita, käyttää sähkötyökalun.** Sähkötyökalut ovat vaarallisia kokemattomien käyttäjien käsissä.
- **Huolla sähkötyökalut ja lisävarusteet. Tarkista, että liikkuvat osat ovat kunnolla paikallaan, että osat ovat ehjiä, ja että sähkötyökalussa ei ole muita ongelmia, jotka saattaisivat vaikuttaa sen toimintaan. Jos sähkötyökalu on vahingoittunut, korjauta se ennen käyttöä.** Monen tapaturman syyt löytyvät huonosti huolletuista sähkötyökaluista ja lisävarusteista.
- **Pidä leikkuutyökalut terävinä ja puhtaina.** Oikein huolletut leikkuutyökalut, joissa on terävät leikkuureunat, eivät todennäköisesti jumiuudu, ja niitä on helpompi hallita.

- **Käytä sähkötyökaluja, lisävarusteita ja teriä yms. näiden ohjeiden mukaisesti ja niin, että otat huomioon käyttöolosuhteet ja tehtävän työn.** Sähkötyökalujen käyttö muihin kuin niille suunniteltuihin tarkoituksiin saattaa aiheuttaa vaaratilanteen.
- **Pidä kahvat ja tartuntapinnat kuivina, puhtaina, öljyttöminä ja rasvattomina.** Liukkaat kahvat ja tartuntapinnat eivät mahdollista työkalun turvallista käsittelyä ja hallintaa odottamattomissa tilanteissa.

AKKUTYÖKALUN KÄYTTÖ JA KUNNOSSAPITO

- **Lataa vain valmistajan määrittelemällä laturilla.** Tietynlaisen laturin käyttö tietynlaisen akun kanssa saattaa aiheuttaa tulipalon riskin, jos sitä käytetään toisenlaisen akun kanssa.
- **Käytä sähkötyökaluja vain niille erikseen määriteltujen akkujen kanssa.** Muunlaisten akkujen käyttö saattaa aiheuttaa loukkaantumisen tai tulipalon vaaran.
- **Kun akku ei ole käytössä, pidä se erillään metalliesineistä, kuten paperiliittimet, kolikot, avaimet, naulat, ruuvit ja muut pienet metalliesineet, jotka voivat yhdistää akun navat toisiinsa.** Akun napojen oikosulku voi aiheuttaa palovammoja tai tulipalon.
- **Akusta voi valua nestettä väärästä käytöstä johtuen. Vältä kosketusta nesteeseen. Jos kosket nesteeseen vahingossa, huuhtelee vedellä. Jos nestettä pääsee silmiin, hakeudu lääkärin hoitoon.** Akusta valuva neste voi aiheuttaa ärsytystä tai palovammoja.
- **Älä käytä akkua tai työkalua, joka on vaurioitunut tai jota on muutettu.** Vaurioituneet tai muutetut akut voivat käyttäytyä arvaamattomasti ja aiheuttaa tulipalon, räjähdyksen tai henkilövahingon vaaran.
- **Älä altista akkua tai työkalua tulelle tai äärimmäisille lämpötiloille.** Altistaminen yli 100 °C:n lämpötilalle voi aiheuttaa räjähdyksen.
- **Noudata kaikkia latausohjeita. Älä lataa akkua tai työkalua lämpötilassa, joka ole ohjeissa ilmoitetun lämpötila-alueen sisällä.** Virheellinen lataaminen tai lataaminen ilmoitetun lämpötila-alueen ulkopuolella olevassa lämpötilassa voi vaurioittaa akkua ja lisätä palovaaraa.

MUUT TURVALLISUUSVAROITUKSET

Harjoittelu

- Lue ohjeet huolellisesti. Tutustu laitteen säätimiin ja oikeanlaiseen käyttöön.

- Älä koskaan anna ohjeisiin perehtymättömien henkilöiden tai lasten käyttää konetta. Paikalliset määräykset saattavat rajoittaa käyttäjän ikää.
- Älä koskaan työskentele, jos lähellä on ihmisiä, etenkin lapsia, tai lemmikkieläimiä.
- Muista, että käyttäjä on vastuussa onnettomuuksista tai vaaratilanteista, jotka kohdistuvat sivullisiin tai omaisuuteen.

Valmistelu

- Käytä aina työskennellessäsi tukevia jalkineita ja pitkälahkeisia housuja. Älä käytä laitetta paljain jaloin tai avonaisissa sandaaleissa.
- Tarkasta laitteen käyttöalue huolellisesti ja poista kaikki esineet, jotka voivat sinkoutua koneesta.
- Tarkasta aina ennen käyttöä, etteivät työkalut ole kuluneet tai vaurioituneet. Vaihda kuluneet tai vaurioituneet osat ja pultit sarjoina, jotta tasapaino säilyy.

Käyttö

- Älä käytä moottoria suljetussa tilassa, johon voi kerääntynyt vaarallisia hiilimonoksidihöyryjä.
- Työskentele vain päivänvalossa tai hyvässä keinovalossa.
- Varmista, että seisot tukevasti rinteissä.
- Kävele koneen kanssa, älä juokse.
- Käyttäessäsi pyörällisiä pyöriviä koneita työskentele rinteissä aina poikittaissuunnassa, ei koskaan ylös ja alas.
- Ole erittäin varovainen, kun vaihdat suuntaa rinteissä.
- Älä työskentele erittäin jyrkissä rinteissä.
- Ole erittäin varovainen, kun peruutat tai vedät konetta itseäsi kohti.
- Älä muuta moottorin säätöasetuksia tai ylitä moottorin suurinta kierrosnopeutta.
- Käynnistä moottori varovasti valmistajan ohjeiden mukaan ja pidä jalkasi etäällä työkalusta.
- Älä laita käsiäsi tai jalkojasi pyörivien osien lähelle tai niiden alle.
- Älä koskaan nosta tai kanno konetta moottorin käydessä.

KÄYTTÖ RINTEESSÄ:

Rinteet ovat merkittävä tekijä liukastumis- ja kaatumis- onnettomuuksissa, jotka saattavat aiheuttaa merkittävän vamman. Varmista, että seisot tukevasti rinteissä. Käyttö rinteissä vaatii erityistä tarkkaavaisuutta. Jos tunnet epävarmuutta rinteissä, älä työskentele siellä.

Varo kuoppia, uria, piilossa olevia esineitä tai kumpuja, jotka saattavat aiheuttaa liukastumisen tai kompastumisen. Pitkässä ruuhossa voi olla piilossa olevia esteitä.

HUOLTO

- **Huollata sähkötyökalusi asiantuntevalla korjaajalla, joka käyttää vain identtisiä varaosia.** Näin taataan sähkötyökalun turvallisuuden säilyminen.
- **Älä koskaan huolla vaurioituneita akkuja.** Akkujen huollon saa tehdä vain valmistaja tai sen valtuuttamat huoltoilikkeet.

VAROITUS: Lue kaikki tämän sähkötyökalun mukana tulleet turvallisuusvaroitukset, ohjeet, piirustukset ja tekniset tiedot. Jos kaikkia alla olevia ohjeita ei noudateta, seurauksena saattaa olla sähköisku, tulipalo ja/tai vakava loukkaantuminen. Säilytä kaikki varoitukset ja ohjeet myöhempää käyttöä varten.

- Käytä vain kuvassa A lueteltujen akkujen ja latureiden kanssa.

SÄILYÄ NÄMÄ OHJEET

TEKNISET TIEDOT

Harjarummun halkaisija	250 mm	
Puhdistusleveys	560 mm	
Suosittelut käyttölämpötila	-15 °C–40 °C	
Suosittelut säilytyslämpötila	-20 °C–70 °C	
Paino (suojuksen kanssa)	5,05 kg	
Mitattu äänitehotaso L_{WA}	91,4 dB(A) K=2,02 dB(A)	
Äänenpaineen taso käyttäjän korvien tasolla L_{PA}	82,8 dB(A) K=2,5 dB(A)	
Taattu äänitehotaso L_{WA} (mitattu direktiivin 2000/14/EY mukaan)	93 dB(A)	
Tärinäarvo a_{II}	Etuapukahva	0,46 m/s ² K= 1,5 m/s ²
	Takakahva	1,43 m/s ² K= 1,5 m/s ²

- Edellä esitetyt parametrit on testattu ja mitattu akkupään PH1400E kanssa.
- Ilmoitettu tärinän kokonaispäästöarvo on mitattu standarditestausmenetelmän mukaisesti, ja sen avulla voidaan vertailla työkaluja keskenään;
- Ilmoitettua tärinän kokonaispäästöarvoa voidaan käyttää myös altistumisen alustavaan arviointiin.

HUOMAA: Työkalun käytön aikana mitattu todellinen tärinäpäästöarvo voi poiketa ilmoitetusta kokonaispäästöarvosta työkalun käyttötavasta johtuen; käyttäjän suojaamiseksi tulee käyttää käsiineitä ja kuulosuojaimia varsinaisissa käyttöolosuhteissa.

PAKKAUSLUETTELO

OSAN NIMI	MÄÄRÄ
Harjatelalisäosa	1
Harjarulla	2
Vetoakseli	2
Suojus (ja pulitti)	1
Kuusioavain	1
Koukkutappi	2
Lukkotappi	2
Käyttöopas	1

KUVAUS

HARJATELALISÄOSAN OSAT (kuva A)

1. Päätytulppa
2. Harjatelalisäosan varsi
3. Suojus
4. Harjarulla
5. Vaihdelaatikko
6. Koukkutappi
7. Kuusioavain

KOKOONPANO

VAROITUS: Jos jokin osa on vahingoittunut tai puuttuu, älä käytä tuotetta ennen kuin osat on vaihdettu. Tuotteen käyttö vioittuneilla tai puuttuvilla osilla voi aiheuttaa vakavan henkilövahingon.

VAROITUS: Älä yritä muuttaa tätä tuotetta tai käyttää siinä lisävarusteita, joita ei ole suunniteltu käytettäväksi tämän koneen kanssa. Mikä tahansa tällainen muokkaus tai muutos on väärinkäytös ja saattaa aiheuttaa vaarallisen tilan, joka saattaa johtaa vakavaan henkilövammaan.

VAROITUS: Irrota akun liitin liitännästä aina, kun kokoat osia. Näin varmistat, ettei laite käynnisty vahingossa eikä aiheuta vakavia henkilövahinkoja.

VAROITUS: Älä yhdistä harjatelaa akkupäähän, ennen kuin laite on valmiiksi koottu. Tämän ohjeen noudattamatta jättäminen saattaa aiheuttaa tahattoman käynnistymisen ja johtaa vakavaan henkilövahinkoon.

SUOJAN KIINNITTÄMINEN

VAROITUS: Asenna suojus ennen kuin yhdistät harjatelan akkupäähän.

1. Löysää ja irrota suojuksen pultti mukana toimitetulla kuusioavaimella (kuva B).
2. Nosta harjatelalisäosan vartta ja irrota päätytulppa varresta.
3. Kun suojuksen kolo on kohdistettu varren päässä ulokkeeseen, siirrä suojusta vartta pitkin, kunnes suojuksen ja varren ruuvireiät kohdistuvat (kuvat C ja D).

Kuvien C ja D osien kuvaus alla:

C-1	Aukko
C-2	Uloke
D-1	Pultti

4. Kiinnitä suojus kunnolla kiristämällä pulttia myötäpäivään mukana toimitetulla kuusioavaimella.

HARJARULLIEN ASENTAMINEN

1. Paina vetoakseli käyttöakseliin (kuva E).

Kuvan E osien kuvaukset alla:

E-1	Käyttöakseli
E-2	Vetoakseli

2. Jotta vetoakseli pysyy käyttöakselissa, työnnä lukkotappi lukitusreikään.

HUOMAA: Lukkotappi täytyy asentaa paikalleen (kuva F).

Kuvan F osien kuvaus alla:

F-1	Lukkotappi
F-2	Lukitusreikä

3. Noudata samoja vaiheita toisen vetoakselin asentamisessa.
4. Paina harjarulla vetoakseliin (kuva G).

Kuvan G osien kuvaus alla:

G-1	Harjarulla
G-2	Vetoakseli

5. Jotta harjarulla pysyy vetoakselissa, työnnä koukkutappi päässä olevaan reikään (kuva H).

Kuvan H osien kuvaukset alla:

H-1	Koukkutappi
-----	-------------

6. Noudata samoja vaiheita toisen harjarullan asentamisessa.

HARJATELALISÄOSAN KIINNITTÄMINEN AKKUPÄÄHÄN

VAROITUS: Älä koskaan kiinnitä tai säädä mitään lisäosaa, kun akkupää on käynnissä, tai kun akku on asennettuna. Moottorin sammuttamatta jättäminen ja akun poistamatta jättäminen voivat aiheuttaa vakavan henkilövahingon.

Tämä harjatelalisäosa on suunniteltu käytettäväksi EGO-akkupään PH1400E kanssa.

1. Sammuta moottori ja poista akku.
2. Löysää akkupään liitoksen siipinuppi.
3. Jos päätytulppa on lisäosan varressa, irrota se ja säilytä sitä varmassa paikassa myöhempää käyttöä varten.

Kohdista harjatelan varren nuoli liitoskappaleen nuoleen (kuva I) ja paina harjatelan vartta liitoskappaleeseen, kunnes kuulet "naksahdavan" äänen (kuva J).

Kuvan I osien kuvaus alla:

I-1	Varren vapautuspainike
I-2	Liitoskappaleen nuoli
I-3	Siipimutteri
I-4	Lisäosan varren nuoli
I-5	Punainen viiva

Kuvan J osien kuvaukset alla:

J-1	Punainen viiva
-----	----------------

4. Tarkasta harjatelalisäosan varren pysyvyys liitoskappaleessa vetämällä hieman varresta. Jos se ei pysy, siirrä harjatelan vartta edestakaisin liitoskappaleessa, kunnes "naksahdava" ääni ilmaisee sen lukittuneen.
5. Kiristä siipimutteri kunnolla.

VAROITUS: Varmista, että liitoskappaleen siipimutteri on kunnolla kiristetty ennen laitteen käyttämistä; tarkista sen kireys säännöllisesti käytön aikana vakavien henkilövahinkojen välttämiseksi.

LISÄOSAN POISTAMINEN AKKUPÄÄSTÄ

1. Pysäytä moottori ja poista akku.
2. Löysää siipimutteri.

3. Pidä varren vapautuspainiketta painettuna ja vedä tai käännä harjatelalisosan varsi irti liitoskappaleesta, jotta saat sen akkupään poistettua.

TOIMINTA

VAROITUS: Älä anna tämän laitteen tuttuuden tehdä sen käsittelystä huolimattomta. Muista, että sekunnin sadasosan kiinteä huolimattomuus riittää vakavan vamman aiheutumiseen.

VAROITUS: Käytä aina suojalaseja ja kuulosuojaimia. Tämän ohjeen laiminlyöminen saattaa aiheuttaa esineiden sinkoutumisen silmiin ja mahdollisen vakavan henkilövahingon.

VAROITUS: Älä käytä lisälaitteita tai lisävarusteita, jos tämän tuotteen valmistaja ei ole suositellut niitä. Tällaisten lisävarusteiden tai apuvälineiden käyttö saattaa aiheuttaa vakavia henkilövahinkoja.

KÄYTTÄMINEN

Voit käyttää laitetta alla lueteltuihin tarkoituksiin:

- Alueiden ja polkujen puhdistaminen, myös epätasaisten ja liitettyjen pintojen.
- Jalkakäytävien/betoni-/asfalttialojen, kävelyteiden ja pihojen puhdistaminen.

VAROITUS: Pukeudu asianmukaisesti välttääksesi loukkaantumisvaaran työkalua käyttäessäsi. Älä käytä väljiä vaatteita tai koruja. Käytä suojalaseja. Käytä paksuja, pitkälahkeisia housuja, kunnollisia jalkineita ja suojakäsineitä. Älä käytä lyhytlahkeisia housuja, sandaaleita tai ole paljain jaloin.

Jos puhdistettava pinta on kuiva, ruiskuta siihen vettä syntyvän pölymäärän vähentämiseksi.

Työskentele harjatelalla eteenpäin. Pidä harjatelasta kiinni aina niin, että toinen kätesi on takakahvalla ja toinen kätesi etuapukahvalla. Pidä kummallakin kädellä harjatelasta kunnolla kiinni käytön aikana.

Pidä ja ohjaa harjatelaa matalassa kulmassa. Jos harjatelaa pidetään liian jyrkässä kulmassa, sillä on taipumus työntää takaisin käyttäjää kohti.

Säilytä ote ja pidä tasapaino molempien jalkojen varassa (kuva K).

Sinkoutuvat materiaalit voivat aiheuttaa vakavan henkilövahingon käyttäjälle tai sivullisille. Henkilövahinkojen välttämiseksi toimi seuraavalla tavalla:

- Pidä harjatelasta aina molemmilla käsillä kiinni käytön aikana. Pidä kumpaakin kahvaa tukevalla otteella.

- Siirrä harjatelaa työskentelyalueelle ennen käynnistämistä ja käynnistä harjatelaa hitaalla nopeudella.
- Pidä ja ohjaa harjatelaa matalassa kulmassa, jotta vältät loukkaantumisvaaran hallinnan menetyksen takia. Jos harjatelaa pidetään liian jyrkässä kulmassa, sillä on taipumus työntää takaisin käyttäjää kohti.

Tarkasta ennen jokaista käyttöä vaurioituneiden/ kuluneiden osien varalta.

Tarkasta harjarulla, suojus, etuapukahva ja vetoakseli. Vaihda murtuneet, vääntyneet, taipuneet tai muulla tavoin vaurioituneet osat.

Puhdista harjatelaa jokaisen käyttökerran jälkeen

Katso Huolto-kohdasta puhdistamisohjeet.

TYÖKALUN KÄYNNISTÄMINEN/SAMMUTTAMINEN

Katso akkupään PH1400E käyttöoppaasta kohta "AKKUPÄÄN KÄYNNISTÄMINEN/SAMMUTTAMINEN"

KUNNOSSAPITO

VAROITUS: Käytä huollon yhteydessä vain identtisiä varaosia. Muiden osien käyttö saattaa aiheuttaa vaaran tai laitteen vaurioitumisen. Pätevän huoltoteknikon tulee suorittaa kaikki korjaukset, jotta voidaan taata tuotteen turvallinen ja luotettava käyttö.

VAROITUS: Akkutyökaluja ei tarvitse liittää sähköverkkoon. Tästä syystä ne ovat aina käyttökunnossa. Vakavan henkilövahingon välttämiseksi ole erityisen varovainen, kun teet kunnossapitoa, huollat tai vaihdat leikkuuosia tai muita osia.

VAROITUS: Vakavan henkilövahingon välttämiseksi poista akku akkupäädästä ja odota harjarullan pysähtymistä, ennen kuin huollat tai puhdistat konetta tai vaihdat siihen lisäosia ja silloin, kun kone ei ole käytössä.

YLEINEN KUNNOSSAPITO

VAROITUS: Älä anna jarrunesteiden, bensiinin, ruosteen irrotusaineiden tai muiden öljypohjaisten tuotteiden joutua kosketuksiin muoviosien kanssa. Kemikaalit saattavat vahingoittaa, heikentää tai tuhota muovia, mikä saattaa aiheuttaa vakavan henkilövahingon.

VAROITUS: Kun puhdistat harjatelalisosaa, ÄLÄ upota sitä veteen tai muihin nesteisiin. Älä pese konetta painepesurilla. Kova vesisuihku voi vaurioittaa koneen osia.

HARJARULLAN KUNNOSSAPITO

- Puhdista harjarulla säännöllisesti.
- Jos toinen harjarullista on vaihdettava kulumisen takia, vaihda molemmat harjarullat suorituskyvyn säilymiseksi.

Kaikki harjatelan huoltotoimet, muut kuin näissä kunnossapito-ohjeissa luetellut, tulee antaa valtuutettujen huoltohenkilöiden suoritettaviksi.

HARJARULLIEN VAIHTAMINEN

VAROITUS: Vaurioitunut harjarulla saattaa hajota kappaleiksi pitkäaikaisen käytön jälkeen ja aiheuttaa vaarallisesti lentäviä kappaleita. Sinkoutuneet kohteet saattavat aiheuttaa vakavan henkilövamman. Tarkasta harjatela säännöllisesti, äläkä käytä sitä, jos siinä on kuluneita tai vaurioituneita osia.

Irrottaminen (kuva L)

1. Irrota koukkutappi vetoakselin päästä.
2. Vedä harjarulla ja sen peitelevy yhdessä irti vetoakselista.
3. Jos vetoakseli on vaurioitunut, irrota lukkotappi vetoakselin reiästä ja vedä vetoakseli irti käyttöakselista (kuva M).
4. Jos peitelevy on vaurioitunut, vedä se irti harjarullasta ja vaihda se.
5. Noudata samoja vaiheita toisen harjarullan irrottamisessa.

Kuvan L osien kuvaus alla:

L-1	Käyttöakseli	L-4	Koukkutappi
L-2	Lukkotappi	L-5	Suojalevy
L-3	Harjarulla	L-6	Vetoakseli

Asentaminen

1. Asenna vetoakseli käyttöakseliin ja työnnä lukkotappi vetoakselin reikään (katso kuva F).
2. Asenna peitelevy harjarullaan siten, että peitelevyn uloke kohdistuu harjarullan reikään (kuva N).

Kuvan N osien kuvaukset alla:

N-1	Reikä
N-2	Uloke

3. Paina harjarulla vetoakseliin (katso kuva G).
4. Työnnä koukkutappi vetoakselin päässä olevaan reikään ja taivuta se tasaiseksi.
5. Noudata samoja vaiheita toisen harjarullan asentamisessa.

VAROITUS: Vaihda aina molemmat harjarullat samanaikaisesti.

LAITTEEN PUHDISTAMINEN

- Poista akku.
- Puhdista juurien kappaleet, maaperän ja kasvien aiheuttamat tukokset harjarullista, suojuksesta ja vaihteistolaatikosta. Harjarullat ja suojuksen voi puhdistaa huolellisemmin irrottamalla ne ja pesemällä kunnolla. Yksityiskohtaiset vaihtovaiheet kappaleessa ”HARJARULLIEN VAIHTAMINEN”.
- Pidä tuuletusaukot esteettöminä

LAITTEEN VARASTOINTI

- Irrota akku työkalusta.
- Puhdista työkalu huolellisesti ja tarkista harjarullat.
- Poista harjatelalisäosa akkupäästä ja peitä varsi päätytulpalla, jotta lika ei pääse liitoskappaleeseen.
- Säilytä työkalu kuivassa, hyvin ilmastoidussa, lukitussa paikassa tai korkealla, poissa lasten ulottuvilta Älä säilytä laitetta lannoitteiden, bensiinin tai muiden kemikaalien päällä tai vieressä.

Ympäristönsuojelu



Älä hävitä sähkölaitteita, akkulaturia tai akkuja/ladattavia paristoja kotitalousjätteen seassa! EU:n direktiivin 2012/19/EU mukaan sähkölaite- ja elektroniikkaromu, jota ei enää voida käyttää ja EU:n direktiivin 2006/66/EY mukaan vialliset tai käytetyt akut/paristot on kerättävä erikseen. Jos sähkölaitteita viedään kaatopaikalle, pohjaveteen saattaa vuotaa vaarallisia aineita ja päätyä sitä kautta ruokaketjuun. Tämä vahingoittaa terveyttäsi ja hyvinvointiasi.

VIANMÄÄRITYS

ONGELMA	SYY	RATKAISU
Harjatela ei käynnisty.	<ul style="list-style-type: none">■ Akkua ei ole liitetty oikein akkupäähän.■ Akkupään ja akun välillä ei ole sähköliitäntää.■ Akku on tyhjä.■ Lukituksenpoistokytkintä ja akkupään liipaisinta ei paineta samanaikaisesti.■ Ei toimi edellä esitetystä huolimatta.	<ul style="list-style-type: none">■ Kiinnitä akku akkupäähän.■ Poista akku, tarkasta liitäntäkohdat ja asenna akku takaisin siten, että se naksahtaa paikalleen.■ Lataa akku käyttöoppaan luettelossa olevalla EGO-laturilla.■ Paina lukituksen poistokytkin alas ja pidä sitä painettuna, käynnistä sen jälkeen painamalla liipaisinta.■ Ota yhteyttä EGO:n asiakaspalveluun.
Harjatela on ilmeisesti vaurioitunut.	<ul style="list-style-type: none">■ Epänormaali vaurio kuljetuksen tai käytön aikana.	<ul style="list-style-type: none">■ Ota yhteyttä EGO:n asiakaspalveluun.
Harjatela pysähtyy harjaamisen aikana.	<ul style="list-style-type: none">■ Moottori on ylikuormittunut.■ Akku tai akkupää on ylikuumentunut.■ Akku on irronnut työkalusta.■ Akku on tyhjä.■ Ei toimi edellä esitetystä huolimatta.	<ul style="list-style-type: none">■ Moottori tunnistaa, kun kuorma poistetaan. Vähennä harjatelan kuormitusta jatkuvassa käytössä.■ Anna akun tai akkupään jäähtyä, kunnes sen lämpötila laskee alle 67 °C.■ Aseta akku uudelleen paikalleen.■ Lataa akku käyttöoppaan luettelossa olevalla EGO-laturilla.■ Ota yhteyttä EGO:n asiakaspalveluun.

FI

TAKUU

EGON TAKUEHDOT

Verkkosivustolta egopowerplus.com löydät EGO:n takuehtojen täydelliset ehdot kokonaisuudessaan.

LES GJENNOM ALLE INSTRUKSJONENE!



LES BRUKERMANUALEN

⚠ Restrisiko! Personer med elektroniske enheter, for eksempel pacemakere, må rådføre seg med lege før de bruker dette produktet. Drift av elektrisk utstyr i umiddelbar nærhet av en pacemaker kan føre til at pacemakeren forstyrres eller svikter.

⚠ ADVARSEL: For å ivareta sikkerheten og påliteligheten må alle reparasjoner og utskiftinger utføres av en kvalifisert servicetekniker.

SIKKERHETSSYMBOL

Formålet med sikkerhetssymbolene er å rette oppmerksomheten din mot mulige faresituasjoner. Sikkerhetssymbolene og forklaringene krever din fulle oppmerksomhet og forståelse. Symbolvarslene eliminerer ikke farer i seg selv. Instruksjonene og advarslene i dem kan ikke erstatte passende ulykkesforebyggende tiltak.

⚠ ADVARSEL: Sørg for at du har lest og forstått alle sikkerhetsanvisningene i denne bruksanvisningen, inkludert alle varselsymboler som «FARE», «ADVARSEL» og «FORSIKTIG» før du bruker dette verktøyet. Hvis du ikke følger alle instruksjonene nedenfor kan det føre til elektrisk støt, brann og/eller alvorlig personskade.

SYMBOLFORKLARINGER

⚠ SIKKERHETSSYMBOL: Indikerer FARE, ADVARSEL ELLER FORSIKTIGHET, kan brukes sammen med andre symboler eller piktogrammer.



⚠ ADVARSEL: Bruk av hvilke som helst elektroverktøy kan føre til at fremmedlegemer blir kastet mot øynene, noe som kan gi alvorlige øyeskader. Før du begynner å bruke elektroverktøyet, skal du alltid ta på vernebriller eller vernebriller med sidebeskyttelse, og en full ansiktsskjerm der det trengs. Vi anbefaler en sikkerhetsmaske med bred visjon til bruk over briller, eller standard vernebriller med sidebeskyttelse.

SIKKERHETSINSTRUKSER

Denne siden viser og beskriver sikkerhetssymboler som kan være på produktet. Les, forstå og følg alle instruksjoner på enheten før du begynner montering og tar den i bruk.

	Sikkerhetsadvarsel	Angir potensiell fare for personskade.
	Les brukermanualen	For at risikoen for personskader skal unngås må brukeren lese og forstå bruksanvisningen før produktet tas i bruk.
	Bruk vernebriller	Bruk alltid vernebriller eller vernebriller med sidebeskyttelse, og full ansiktsskjerm når du bruker dette produktet.
	Hold tilskuere på trygg avstand	Hold tilskuere på trygg avstand
	Bruk vernehansker	Beskytt hendene med hansker når du håndterer knivbladene. Kraftige, sklisikre hansker gir bedre grep og beskytter hendene dine.
	Bruk verneskotøy	Bruk sklisikre vernesko når du bruker utstyret.
	Rikosjett	Objekter kan rikosjettere og forårsake skader på person eller eiendom.
	Produktet må ikke utsettes for regn	Produktet må ikke brukes i regnvær eller etterlates utendørs når det regner.
	CE	Dette produktet er i samsvar med gjeldende EF-direktiver.
	WEEE Elektrisk og elektronisk avfall	Elektrisk avfall skal ikke kastes sammen med husholdningsavfall. Innlever ved en godkjent gjenvinningsstasjon.
	Støy	Garantert lydteknisk nivå. Støy i omgivelsene er i henhold til EUs direktiv.
V	Volt	Spenning
mm	Millimeter	Lengde eller størrelse
kg	Kilogram	Vekt

NO

GENERELLE SIKKERHETSADVARSLER FOR ELEKTROVERKTØY

⚠ ADVARSEL: Gjør deg kjent med alle sikkerhetsadvarslene, instruksjonene, illustrasjonene og spesifikasjonene som følger med dette elektroverktøyet. Manglende etterlevelse av alle instruksjonene under kan resultere i elektrisk støt, brann og/eller alvorlig skade.

Ta vare på alle advarsler og instruksjoner for fremtidig bruk.

SIKKERHET I ARBEIDSRÅDET

- **Hold arbeidsområdet rent og godt opplyst.** Rotete eller mørke områder gjør at ulykker lettere oppstår.
- **Ikke bruk maskinen i eksplosjonsfarlige omgivelser, for eksempel der det finnes brennbare væsker, gasser eller støv.** Elektroverktøy lager gnister som kan antenne støv eller damp.
- **Hold barn og andre personer unna når elektroverktøyet er i bruk.** Distraksjoner kan føre til at du mister kontrollen.

ELEKTRISK SIKKERHET

- **Ikke utsett elektroverktøy for regn eller våte omgivelser.** Kommer det vann inn i et elektroverktøy, øker risikoen for elektrisk støt.

NO

PERSONLIG SIKKERHET

- **Vær årvåken, se hva du gjør, og følg sunn fornuft når du bruker et elektroverktøy.** Ikke bruk elektroverktøy når du er trøtt eller er påvirket av narkotika, alkohol eller medikamenter. Et øyeblikks uoppmerksomhet mens du bruker elektroverktøy kan føre til alvorlige personskader.
- **Bruk alltid verneutstyr.** Verneutstyr som vernebriller, støvmaske, sklisikre vernesko, hjelm og/eller hørselsvern når omgivelsene krever det, reduserer risikoen for personskader.
- **Unngå utilsiktet oppstart. Pass på at bryteren er i av-stilling før du kobler til strømkilden og/eller batteripakken, eller når du løfter og bærer verktøyet.** Bærer du elektroverktøy med fingeren på bryteren eller kobler det til strømkilden mens bryteren står i på-posisjon, vil det øke faren for ulykker.
- **Fjern eventuelle justeringsnøkler før du slår på elektroverktøyet.** Et verktøy eller en nøkkel som sitter igjen i en roterende del av elektroverktøyet, kan føre til personskade.
- **Ikke strekk deg for langt. Pass på å ha skikkelig fotfeste og balanse til enhver tid.** Dette muliggjør bedre kontroll over elektroverktøyet i uventede situasjoner.
- **Kle deg riktig. Ikke bruk løse klær eller smykker.** Hold hår, klær og hansker unna bevegelige deler. Løse klær, smykker eller langt hår kan sette seg fast i bevegelige deler.
- **Hvis det følger med utstyr for tilkopling av støvavsug og oppsamlingsutstyr, skal disse kobles til og brukes riktig.** Bruk av støvenheter kan redusere støvrelaterte farer.

- **Selv om du har opparbeidet deg erfaring gjennom hyppig bruk av verktøyet må du alltid være årvåken og følge sikkerhetsinstruksjonene.** Et ørlite øyeblikks uoppmerksomhet er alt som skal til for at alvorlige personskader kan oppstå.

BRUK OG VEDLIKEHOLD AV ELEKTROVERKTØY

- **Ikke legg press på elektroverktøyet. Bruk et elektroverktøy som er egnet for det du skal gjøre.** Et egnet elektroverktøy vil gjøre jobben på en bedre og tryggere måte, i den hastigheten verktøyet er konstruert for.
- **Ikke bruk elektroverktøyet hvis bryteren ikke slår det på og av.** Elektroverktøy som ikke kan kontrolleres med bryteren er farlig og må repareres.
- **Fjern batteripakken, hvis den er avtakbar, fra elektroverktøyet og / eller aktiver eventuelt batterideaktiverende enhet før du fjerner fastkjørt materiale, gjør noen justeringer, skifter tilbehør, rengjøring eller lagrer elektroverktøy.** Slike forebyggende sikkerhetstiltak reduserer risikoen for å starte elektroverktøyet ved et uhell.
- **Oppbevar elektroverktøy utilgjengelig for barn, og ikke la personer som ikke er kjent med verktøyet eller disse instruksjonene, betjene maskinen.** Elektroverktøy er farlige når de brukes av uerfarne personer.
- **Elektroverktøy og tilbehør må vedlikeholdes. Se etter feiljusteringer eller oppbinding av bevegelige deler, skadede deler og eventuelle andre forhold som kan påvirke elektroverktøyet funksjon. Hvis det er skadet, må elektroverktøyet repareres før bruk.** Mange ulykker skyldes elektroverktøy og tilbehør som ikke er godt vedlikeholdt.
- **Hold skjæreverktøyet skjerpet og rent.** Riktig vedlikehold av skjæreverktøy med skarpe kanter gjør at det er mindre sannsynlighet for oppbinding, og at det er lettere å kontrollere.
- **Bruk elektroverktøy, tilbehør, bits, osv. i henhold til disse anvisningene, og ta hensyn til omgivelsene og arbeidet som skal utføres.** Bruk av elektroverktøy til andre formål enn det som er angitt, kan føre til farlige situasjoner.
- **Hold håndtakene og gripeflatene tørre, rene og fri for olje og fett.** Glatte håndtak og gripeflater vil gjøre det vanskelig å kontrollere verktøyet og håndtere det på en sikker måte i uventede situasjoner.

BRUK OG VEDLIKEHOLD AV BATTERIVERKTØY

- **Lades bare med ladere som er spesifisert av produsenten.** En lader som passer for én type batteripakke, kan gi brannfare dersom den brukes med andre batteripakker.

- **Elektroverktøyet skal bare brukes med spesifiserte batteripakker.** Bruk av andre batteripakker kan skape risiko for skader og brann.
- **Når batteriet ikke er i bruk skal det holdes unna andre metallgjenstander som binders, mynter, nøkler, spikere, skruer eller andre små metallgjenstander som kan lage forbindelse fra én terminal til en annen.** Kortslutning av batteripolene kan forårsake brannskader eller brann.
- **Under farlige forhold kan væske komme ut av batteriet. Unngå kontakt med denne. Hvis kontakt oppstår ved et uhell, skyll med vann. Får du væske i øynene, skal det i tillegg søkes medisinsk hjelp.** Væske som blir slynget ut av batteriet, kan forårsake irritasjon eller brannskade.
- **Ikke bruk en batteripakke eller et verktøy som er skadet eller tilpasset.** Skadde eller modifiserte batterier kan oppføre seg uforutsigbart og medføre brann, eksplosjon eller risiko for personskade.
- **Ikke eksponer batteripakken eller verktøyet forild eller svært høye temperaturer.** Eksponering for brann eller temperaturer over 100 °C kan forårsake eksplosjon.
- **Følg alle ladeinstruksjonene, og ikke lad batteripakken eller verktøyet utenfor temperaturområdet som er angitt i instruksjonene.** Hvis batteriet lades på feil måte eller ved temperaturer som er utenfor det angitte området, kan batteriet bli skadet og brannrisikoen øke.

ANDRE SIKKERHETSADVARSLER

Trening

- Les instruksjonene nøye. Gjør deg kjent med betjeningsinnretningene og måten maskinen skal brukes på.
- La aldri folk som ikke er kjent med disse instruksjonene, eller barn, bruke maskinen. Lokalt regelverk kan ha krav til aldersgrense for operatøren.
- Unngå å arbeide med verktøyet mens det er personer og særlig barn eller kjæledyr i nærheten.
- Husk at operatøren eller brukeren er ansvarlig for ulykker eller farer som berører andre mennesker eller andres eiendeler.

Forberedelse

- Ha alltid på solide sko og langbukser mens du arbeider. Ikke bruk utstyret hvis du er barbert eller har på åpne sandaler.
- Inspiser området der utstyret skal brukes grundig, og fjern alle gjenstander som kan slynnes ut av maskinen.
- Før bruk må du alltid sjekke at verktøyet ikke er slitt eller ødelagt. Bytt ut alle slitte og ødelagte deler og skruer samtidig for å få en jevn funksjon.

Betjening

- Motoren må ikke betjenes på et innelukket område der det kan bli store konsentrasjoner av farlig karbonmonoksid
- Jobb kun i dagslys eller med god kunstig belysning
- Sørg alltid for å ha godt fotfeste i hellende terreng.
- Bare gå, ikke løp med maskinen.
- For roterende maskiner med hjul er det viktig å arbeide på tvers av skråninger, ikke opp og ned.
- Vær svært forsiktig når du endrer retning i skråninger.
- Må ikke brukes i svært bratte skråninger.
- Vær svært forsiktig når du rygger eller drar maskinen mot deg.
- Ikke endre på motorinnstillingene eller kjør motoren på for høy hastighet.
- Start motoren forsiktig i henhold til produsentens anvisninger, og hold føttene på god avstand fra verktøyet.
- Unngå å plassere hender eller føtter under eller i nærheten av roterende deler.
- Maskinen må ikke løftes eller bæres mens motoren er i gang.

BETJENING I HELLENDE TERRENG:

Skråninger er en viktig faktor i forbindelse med skli- og fallulykker som kan resultere i alvorlig skade. Sørg alltid for å ha godt fotfeste i hellende terreng. Bruk i skråninger krever ekstra årvåkenhet. Hvis du føler deg utrygg i en skråning, skal du ikke bruke verktøyet.

- Se etter hull, hjulspor, steiner, skjulte objekter eller humper som kan gjøre at du sklir eller snubler. Høyt gress kan skjule hindringer.

SERVICE

- **Elektroverktøyet må repareres av et kvalifisert serviceverksted som kun bruker identiske reservedeler.** Dette opprettholder sikkerheten til elektroverktøyet.
- **Batteripakker som er skadet, må aldri brukes.** Service på batteripakker må bare utføres av produsenten eller autoriserte tjenesteleverandører.

⚠ ADVARSEL: Gjør deg kjent med alle sikkerhetsadvarslene, instruksjonene, illustrasjonene og spesifikasjonene som følger med dette elektroverktøyet. Manglende etterlevelse av alle instruksjonene under kan resultere i elektrisk støt, brann og/eller alvorlig skade. Ta vare på alle advarsler og instruksjoner for fremtidig bruk.

- Bruk kun med batteripakker og ladere som oppført i fig. A.

NO

SPESIFIKASJONER

Børstetrommel diameter	250mm	
Rengjøringskår	560mm	
Anbefalt driftstemperatur	-15°C -40°C	
Anbefalt lagringstemperatur	-20°C-70°C	
Vekt (inkludert vern)	5,05 kg	
Målt lydeffektivnivå L_{WA}	91,4 dB(A) K=2,02 dB(A)	
Lydtrykknivå ved brukerens øre L_{PA}	82,8 dB(A) K=2,5 dB(A)	
Garantert lydeffektivnivå L_{WA} (målt iht. 2000/14/EC)	93 dB(A)	
Vibrasjonsnivå a_h	Fremre hjelpe-håndtak	0,46 m/s ² K= 1,5 m/s ²
	Bakre håndtak	1,43 m/s ² K= 1,5 m/s ²

NO

- Parametrene over er testet og målt sammen med verktøyet PH1400E.
- Erklært total vibrasjonsverdi er målt i overensstemmelse med en standard testmetode og kan brukes til å sammenligne ett verktøy med et annet;
- Erklært total vibrasjonsverdi kan også brukes i en foreløpig vurdering av eksponering.

MERK: Vibrasjoner under faktisk bruk av elektroverktøyet kan variere fra den opplyste verdien der verktøyet brukes; For å beskytte brukeren skal det alltid benyttes hansker og hørselsvern under faktiske bruksforhold.

PAKKELISTE

NAVN PÅ DELER	ANTALL
Børstetilbehør	1
Børsterulle	2
Drivaksel	2
Bladvern (med skruer)	1
Unbrakonøkkel	1
Låseplugg	2
Låsestift	2

BESKRIVELSE

BLI KJENT MED BØRSTEN (Fig. A)

- Endekapsel
- Børstetilbehørskaft
- Vern
- Børsterulle
- Girkasse
- Låseplugg
- Unbrakonøkkel

MONTERING

⚠ ADVARSEL: Hvis noen av delene er skadet eller mangler, må du ikke bruke dette produktet før delene er byttet. Bruk av dette produktet dersom deler er skadet eller mangler, kan føre til alvorlige personskader.

⚠ ADVARSEL: Ikke prøv å tilpasse produktet eller lage tilbehør som ikke er anbefalt for bruk med dette produktet. Enhver slik endring eller modifisering er feil bruk, og kan føre til farlige situasjoner og alvorlige personskader.

⚠ ADVARSEL: For å unngå utilsiktet oppstart, som kan forårsake alvorlig personskade, må du alltid trekke batterikoblingen ut av kontakten når du skal montere deler.

⚠ ADVARSEL: Ikke koble børsten til strømhodet før monteringen er fullført. Hvis du gjør det, kan det resultere i uforvarende start og mulig personskade.

MONTERING AV VERNET

⚠ ADVARSEL: Installer beskyttelsen før børsten kobles til motorenheten.

- Løsne og fjern boltene fra beskyttelsen med den medfølgende unbrakonøkkel (fig. B).
- Løft børsten og fjern endelokket fra akselen.
- Når sporet i beskyttelsen er på linje med ribben på enden av skaftet, fører du beskyttelsen gjennom skaftet inntil skruhellene i beskyttelsen og i skaftet er på linje (fig. C & D).

Se Fig. C og D under for beskrivelse av delene:

C-1	Spor
C-2	Rib
D-1	Skruer

4. Bruk den medfølgende unbrakonøkkelen til å stramme boltene med klokka for å låse beskyttelsen sikkert.

MONTERING AV BØRSTEVALSER

1. Skyv drivakselen på den drevne akselen (fig. E).
Se beskrivelse av delene i fig. E under:

E-1	Drevet skaft
E-2	Drivaksel

2. For å feste drivakselen til den drevne akselen, sett låsepinnen inn i låsehullet.

MERK: Låsestiften må installeres på plass (fig. F).

Se delebeskrivelsen for fig. F nedenfor:

F-1	Låsestift
F-2	Låsehull

3. Følg de samme trinnene for å montere den andre drivakselen.
4. Skyv børsterullen på drivakselen (Fig. G).

Se Fig. G under for beskrivelse av delene:

G-1	Børsterulle
G-2	Drivaksel

5. Sett løftestiften inn i hullet i enden for å feste børsterullen til drivakselen (fig. H).

Se Fig. H under for beskrivelse av delene:

H-1	Låseplugg
-----	-----------

6. Følg de samme trinnene for å montere den andre børsterullen.

MONTERING AV BØRSTEN PÅ MOTORENHETEN

⚠ ADVARSEL: Tilbehør må aldri festes eller justeres mens verktøyet er i gang eller det er batteri i verktøyet. Hvis du ikke stopper motoren og fjerner batteriet, kan det oppstå alvorlig personskade.

Denne børsten er beregnet til bruk med motorenheten EGO PH1400E.

1. Stopp motoren og ta ut batteripakken
2. Løsne vingeknotten på motorenhetens koplingsstykke.
3. Hvis endekapselen er på skaftet, tar du den av og oppbevarer den til senere bruk.

Juster pilen på skaftet til børsten så den er i flukt med pilen på koplingsstykket (fig. I), og skyv børsteskaftet inn i

koplingsstykket til du hører et tydelig klikk (fig. J).

Se Fig. I under for beskrivelse av delene:

I-1	Skaft utløserknapp
I-2	Pil på koplingsstykket
I-3	Vingemutter
I-4	Pil på skaftet
I-5	Rød strek

Se delebeskrivelsen for Fig. J nedenfor:

J-1	Rød strek
-----	-----------

4. Trekk litt i skaftet på børstetilbehøret for å bekrefte at den er ordentlig festet i koblingen. Hvis ikke, flytt skaftet på børsten frem og tilbake i koblingen til en tydelig "KLIKK" -lyd indikerer at den er festet.
5. Stram vingemutteren godt.

⚠ ADVARSEL: Forsikre deg om at vingemutteren på koplingen er strammet helt før du bruker utstyret. Sjekk stramheten regelmessig under bruk for å unngå alvorlig personskade.

FJERNING AV TILBEHØR FRA MOTORENHETEN

1. Stopp motoren og ta ut batteripakken.
2. Løsne vingemutteren.
3. Når akselutløserknappen er nede, trekk eller vri børstetilbehøret ut av koblingen for å fjerne den fra motorenheten.

BRUK

⚠ ADVARSEL: Ikke føl deg så trygg med dette verktøyet at du blir skjødsløs. Husk at et uforutsiktlig tiendedel av et sekund er nok til å forårsake alvorlige skader.

⚠ ADVARSEL: Bruk alltid vernebriller i tillegg til hørselsvern. Dersom dette ikke blir gjort, kan du få fremmedlegemer inn i øynene eller pådra deg andre alvorlige skader.

⚠ ADVARSEL: Ikke bruk tilbehør eller deler som ikke er anbefalt av produsenten av produktet. Bruk av tilbehør eller deler som ikke anbefales, kan medføre alvorlige personskader.

BRUKSOMRÅDER

Du kan bruke dette produktet til de formålene som er oppført nedenfor:

NO

- Rengjøring av områder og stier, inkludert ujevne og skjete overflater.
- Rengjøring av fortau / betong / asfalt, gangveier og gårdsplasser.

⚠ ADVARSEL: Kle deg riktig så du unngår risiko for skader når du bruker dette verktøyet. Ikke bruk løstsittende klær eller smykker. Bruk vernebriller. Bruk solide og lange bukser, støvler og hansker. Ikke bruk korte bukser eller sandaler, og ikke gå barbert.

Hvis overflaten som skal rengjøres er tørr, spray den med vann for å redusere støvmengden.

Du bør jobbe med børsten fremover. Hold børsten med en hånd på det bakre håndtaket og den andre hånden på det fremre hjelpehåndtaket. Ha et fast grep med begge hender når du bruker børsten.

NO

Hold og før børsten i en liten vinkel. Hvis børsten holdes for bratt, presser den ofte mot føreren.

Fortsatt å ha et fast grep, og stå med beina støtt på underlaget (fig. K).

Materialer som slynges ut, kan påføre både operatør og tilskuere alvorlig skade. For å redusere risikoen for personskade er det svært viktig å ta følgende forholdsregler:

- Hold alltid børsten med begge hender når du betjener den. Ha et godt grep om begge håndtakene.
- Flytt børsten til arbeidsområdet før du starter, og start børsten med lav hastighet.
- For å redusere risikoen for skade på grunn av tap av kontroll, hold og før børsten i en liten vinkel. Hvis børsten holdes for bratt, presser den ofte mot føreren.

Kontroller om noen deler er ødelagte eller utslitte før bruk

Sjekk børstevalsen, beskyttelsen, håndtaket foran og drivakselen, og bytt ut deler som er sprukket, skjeve, bøyd eller skadet på noen måte.

Rengjør børsten hver gang den har vært i bruk

Se avsnittet vedlikehold for rengjøringsinstrukser.

SLIK STARTER/STOPPER DU VERKTØYET

Se avsnittet "STARTE/STOPPE MOTORENHETEN" i håndboken for PH1400E.

VEDLIKEHOLD

⚠ ADVARSEL: Når verktøyet trenger service, må bare

96

BØRSTETILBEHØR — BBA2100

identiske reservedeler benyttes. Bruk av uoriginale deler kan forårsake fare eller skader på produktet. For å sikre trygg og pålitelig bruk må alle reparasjoner utføres av en kvalifisert fagperson.

⚠ ADVARSEL: Batteridrevne verktøy trenger ikke å være tilkoblet et strømuttak for å fungere og er derfor alltid klare for bruk. For å unngå alvorlige personskader må du være ekstra forsiktig når du utfører vedlikehold eller service, og når du skal bytte skjæretilbehør eller annet tilbehør.

⚠ ADVARSEL: For å forhindre alvorlig personskade, fjern batteripakken fra motorenheten og vent til børstevalsen stopper før service, rengjøring, skifte av tilleggsutstyr eller når produktet ikke er i bruk.

GENERELT VEDLIKEHOLD

⚠ ADVARSEL: Bremsevæske, bensin, petroleumbaserte produkter, rustoppløsende olje osv. må ikke under noen omstendighet komme i kontakt med plastdeler. Kjemikalier kan skade, svekke eller ødelegge plastmaterialer, noe som kan føre til alvorlig personskade.

⚠ ADVARSEL: Når du rengjør børsten, må du IKKE legge den i vann eller andre væsker. Maskinen må ikke rengjøres med en høytrykksspyler. En kraftig vannstråle kan ødelegge deler av maskinen.

BØRSTEVEDLIKEHOLD

- Rengjør børsterullen ofte.
- Hvis noen av børsterullene må skiftes ut på grunn av skade, må du bytte ut begge børsterullene for å oppnå best mulig ytelse.

All service på børsten, bortsett fra elementene som er oppført i denne vedlikeholdsinstruksjonen, skal utføres av autorisert servicepersonell.

BYTTING AV BØRSTERULLENE

⚠ ADVARSEL: En skadet børstevalse kan gå i stykker etter lang tids bruk, noe som kan forårsake farlige prosjektiler. Objekter som farer gjennom luften, kan forårsake alvorlige skader. Inspiser den regelmessig og ikke bruk børsten med slitte eller ødelagte deler.

Fjerning (fig. L)

1. Fjern løftestiften fra enden av drivakselen.
2. Trekk børstevalsen, sammen med dekkplaten på den, av drivakselen.
3. Hvis drivakselen er skadet, fjerner du låsepinnen fra hullet på drivakselen og trekker drivakselen av den drevne akselen (fig. M).
4. Hvis dekkplaten er skadet, trekker du den fra børsterullen og skifter den ut.
5. Følg de samme trinnene for å fjerne den andre børsterullen.

Se Fig. L under for beskrivelse av delene:

L-1	Drevet skaft	L-4	Låseplugg
L-2	Låsestift	L-5	Dekkplate
L-3	Børsterulle	L-6	Drivaksel

Installering

1. Installer drivakselen på den drevne akselen og sett låsepinnen inn i hullet på drivakselen (se fig. F).
2. Monter dekkplaten på børsterullen med ribben i dekkplaten på linje med hullet på børsterullen (fig. N).

Se Fig. N under for beskrivelse av delene:

N-1	Hull
N-2	Rib

3. Skyv børsterullen på drivakselen (se fig. G).
4. Sett løftestiften inn i hullet på enden av drivakselen og Brett den flatt.
5. Følg de samme trinnene for å montere den andre børsterullen.

⚠ ADVARSEL: Bytt alltid begge børsterullene samtidig.

RENGJØRING AV VERKTØYET

- Ta ut batteriet.
- Fjern biter av røtter, jord- eller planterester fra børstevalsene, beskyttelsen eller girkassen. For en skikkelig rengjøring, fjern børsterullene og beskyttelsen for å vaske dem grundig. Se avsnittet over for detaljerte instruksjoner for å "bytte ut børstehjulene".

- Hold alle luftventiler fri for hindringer.

OPPBEVARING AV VERKTØYET

- Fjern batteripakken fra verktøyet.
- Rengjør verktøyet grundig og inspiser børsterullene.
- Fjern børsten fra motorenheten og dekk festeakselen med en endehette for å unngå at smuss kommer inn i koblingen.
- Oppbevar verktøyet på et tørt og godt ventilert sted, innelåst eller høyt plassert, og utilgjengelig for barn. Unngå å oppbevare verktøyet på eller ved siden av gjødningsmidler, bensin eller andre kjemikalier.

Beskytt miljøet



Elektrisk utstyr, batteriladere og batterier / oppladbare batterier må ikke kastes i husholdningsavfallet! Ifølge EU-forskrift 2012/19/ EU skal elektrisk og elektronisk utstyr som ikke lenger kan brukes, og som i henhold til EU-forskrift 2006/66/EC har defekte eller utbrukte batteripakker/ batterier, samles inn som spesialavfall. Hvis elektriske apparater kastes på fyllinger eller avfallsplasser, kan farlige substanser lekke ned i grunnvannet og komme inn i næringskjeden og skade menneskers liv og helse.

NO

FEILSØKING

PROBLEM	ÅRSAK	LØSNING
Børsten starter ikke.	<ul style="list-style-type: none">■ Batteripakken er ikke satt ordentlig inn i motorenheten.■ Ingen elektrisk kontakt mellom verktøyhodet og batteripakken.■ Batteripakken er utladet.■ Låsespaken og utløseren ble ikke trykket inn samtidig.■ Fremdeles ikke startet utover de ovennevnte grunnene.	<ul style="list-style-type: none">■ Fest batteripakken til verktøyhodet.■ Fjern batteriet, sjekk kontakter og installer batteripakken igjen. Forsikre deg om at det låses på plass.■ Lad batteripakken med en av EGO-laderne som står oppført i denne håndboken.■ Trykk ned låsespaken og hold den inne, og trykk deretter på utløseren for å slå på verktøyet.■ Ta kontakt med EGOs kundeservice.
Børsten er åpenbart skadet.	<ul style="list-style-type: none">■ Unormal skade under transport eller bruk.	<ul style="list-style-type: none">■ Ta kontakt med EGOs kundeservice.
Børsten stopper i drift.	<ul style="list-style-type: none">■ Motoren er overbelastet.■ Batteripakken eller verktøyhodet er for opphetet.■ Batteripakken er fjernet fra verktøyet.■ Batteripakken er utladet.■ Fremdeles ikke startet utover de ovennevnte grunnene.	<ul style="list-style-type: none">■ Motoren vil fungere igjen når lasten er fjernet. For kontinuerlig arbeid, reduser belastningen på børsten.■ La batteripakken eller motorenheten avkjøles til temperaturen synker under 67 °C.■ Installer batteripakken på nytt.■ Lad batteripakken med en av EGO-laderne som står oppført i denne håndboken.■ Ta kontakt med EGOs kundeservice.

NO

GARANTI

EGOs GARANTIREGLER

Besøk nettsiden egopowerplus.com for å se fullstendige vilkår og betingelser for EGO-garantireglene.

ПРОЧИТАЙТЕ ВСЕ ИНСТРУКЦИИ!



ПРОЧИТАЙТЕ РУКОВОДСТВО ПОЛЬЗОВАТЕЛЯ.

⚠ Остаточный риск! Если вы используете такие электронные устройства, как кардиостимулятор, перед эксплуатацией данного устройства проконсультируйтесь с врачом. Использование электрооборудования в непосредственной близости от кардиостимулятора может привести к образованию помех и повреждению кардиостимулятора.

⚠ ПРЕДУПРЕЖДЕНИЕ. Для обеспечения безопасной и надежной работы устройства его ремонт и замену частей должен выполнять квалифицированный специалист.

СИМВОЛЫ БЕЗОПАСНОСТИ

Символы безопасности предназначены для привлечения внимания к возможным рискам. Символы безопасности, а также пояснения к ним, требуют особого внимания и понимания. Предупреждения по технике безопасности сами по себе не устраняют опасность. Инструкции и предупреждения не заменяют соответствующие меры по предотвращению несчастных случаев.

⚠ ПРЕДУПРЕЖДЕНИЕ. Перед использованием устройства внимательно прочитайте все инструкции в данном руководстве пользователя и ознакомьтесь с предупреждающими символами безопасности, такими как «ОПАСНОСТЬ», «ПРЕДУПРЕЖДЕНИЕ» и «ВНИМАНИЕ». Несоблюдение всех приведенных ниже инструкций может привести к поражению электрическим током, возникновению пожара и (или) получению серьезных травм.

УСЛОВНЫЕ ОБОЗНАЧЕНИЯ

ПРЕДУПРЕЖДАЮЩИЙ СИМВОЛ. Означает ОПАСНОСТЬ, ПРЕДУПРЕЖДЕНИЕ, или ВНИМАНИЕ и может использоваться с другими символами или изображениями.



⚠ ПРЕДУПРЕЖДЕНИЕ. В результате работы электроинструмента в глаза могут попасть посторонние предметы, что приведет к серьезному повреждению глаз. Перед началом использования электроинструмента всегда надевайте защитную маску или защитные очки с боковыми щитками и полнопрофильную защитную маску (при необходимости). Поверх






очков или стандартных защитных очков рекомендуется надевать безопасную маску с широким обзором.

ИНСТРУКЦИЯ ПО ТЕХНИКЕ БЕЗОПАСНОСТИ

Далее приведено изображение и описание символов безопасности, которые могут присутствовать на данном устройстве. Перед сборкой или использованием внимательно прочитайте все инструкции, приведенные на устройстве, и соблюдайте их.

	Предупреждение об опасности	Указывает на потенциальную опасность получения травмы.
	Прочитайте руководство пользователя.	Чтобы уменьшить риск получения травм, перед использованием устройства необходимо прочитать и понять руководство по эксплуатации.
	Используйте защитные очки.	При работе с данным устройством всегда используйте защиту для глаз или защитные очки с боковыми щитками и полнопрофильную защитную маску.
	Не позволяйте тепло-стоп-ронимлю-дямн-аход-иться поб-ли-зо-ст	Следите за тем, чтобы посторонние лица находились на безопасном расстоянии
	Используйте защитные перчатки.	При работе с режущим элементом надевайте защитные перчатки. Прочные перчатки из нескользящих материалов улучшают захват инструмента и защищают руки.
	Используйте надежную обувь.	При использовании устройства надевайте надежную нескользящую обувь.

RU

	Рикошет	Отброшенные предметы могут отскочить и привести к травмам или повреждению имущества.
	Не оставляйте под дождем.	Во время дождя не используйте устройство и не оставляйте его вне помещения.
	CE	Соответствует основным требованиям стандартов безопасности Европейских директив.
	WEEE (утилизация электрического и электронного оборудования)	Неисправные электрические устройства нельзя выбрасывать вместе с бытовым мусором. Сдавайте их в авторизованные пункты сбора и утилизации.
	Шум	Гарантированный уровень звуковой мощности. Уровень шума в окружающей среде в соответствии с директивой ЕС.
V	Вольт	Напряжение
mm	Миллиметр	Длина или размер
kg	Килограмм	Масса

- **Не используйте электроинструменты во взрывоопасных местах, например вблизи горючих жидкостей, газов или пыли.** Электроинструменты генерируют искры, которые могут воспламенить пыль или испарения.
- **Не позволяйте детям и посторонним находиться вблизи работающего электроинструмента.** Отвлекающие факторы могут привести к потере контроля.

ЭЛЕКТРОБЕЗОПАСНОСТЬ

- **Не подвергайте электроинструменты воздействию дождя или влаги.** При попадании воды в электроинструмент увеличивается риск поражения электрическим током.

ЛИЧНАЯ БЕЗОПАСНОСТЬ

- **При использовании электроинструмента будьте бдительны, следите за своими действиями и следуйте здравому смыслу. Не пользуйтесь электроинструментом, если вы устали или находитесь под воздействием наркотиков, алкоголя или медикаментов.** Даже кратковременная невнимательность при работе с электроинструментом может привести к тяжелым травмам.
- **Всегда используйте средства индивидуальной защиты.** Средства индивидуальной защиты, такие как защитные очки, противопылевая маска, нескользкая предохранительная обувь, жесткая каска и (или) средства защиты органов слуха в соответствующих условиях уменьшает риск травмирования.
- **Не допускайте случайного запуска инструмента. Перед подключением электроинструмента к сети питания (или аккумулятора) и перед его переноской убедитесь, что выключатель находится в выключенном положении.** Не держите палец на выключателе при переноске электроинструментов и не включайте вилку в розетку, если электроинструмент включен. Это может привести к несчастному случаю.
- **Перед включением электроинструмента снимите с него регулировочные инструменты и гаечные ключи.** Регулировочный инструмент или гаечный ключ, оставленный на вращающейся части электроинструмента, может стать причиной травмы.
- **Не тянитесь. Всегда сохраняйте устойчивое положение и равновесие.** Это позволит лучше контролировать электроинструмент в непредвиденных ситуациях.
- **Одевайтесь надлежащим образом. Не надевайте свободную одежду и украшения.**

ОБЩИЕ ПРАВИЛА ТЕХНИКИ БЕЗОПАСНОСТИ ПРИ РАБОТЕ С ЭЛЕКТРОИНСТРУМЕНТАМИ

⚠ ПРЕДУПРЕЖДЕНИЕ. Прочитайте все правила безопасности, инструкции, иллюстрации и спецификации, прилагаемые к этому электроинструменту. Невыполнение изложенных ниже инструкций может привести к поражению электрическим током, пожару и (или) тяжелым травмам.

Сохраните все предупреждения и инструкции для использования в будущем.

БЕЗОПАСНОСТЬ РАБОЧЕГО МЕСТА

- **Обеспечьте чистоту и освещенность рабочего места.** Загроможденные и плохо освещенные места служат причиной несчастных случаев.

Держите волосы, одежду и перчатки подальше от движущихся частей. Свободная одежда, украшения и длинные волосы могут попасть в движущиеся части.

- При наличии устройств для отвода и сбора пыли убедитесь, что они подключены и правильно работают. Использование пылеулавливающих устройств снижает вред, причиняемый пылью.
- Не допускайте небрежности, которая может возникнуть из-за частого использования инструмента и повлечь за собой самоуверенность и игнорирование правил безопасности. Неосторожное действие может причинить серьезную травму за доли секунды.

ИСПОЛЬЗОВАНИЕ И ОБСЛУЖИВАНИЕ ЭЛЕКТРОИНСТРУМЕНТА

- Не прикладывайте к электроинструменту чрезмерных усилий. Используйте подходящий для ваших задач электроинструмент. Правильно выбранный электроинструмент более эффективен и безопасен при номинальной нагрузке.
- Не используйте электроинструмент, если его выключатель неисправен. Электроинструменты с неисправным выключателем опасны и подлежат ремонту.
- Перед извлечением застрявшего материала, регулировкой, сменой принадлежностей или хранением извлеките аккумулятор (если возможно) из электроинструмента и (или) активируйте устройство отключения аккумулятора. Такие меры предосторожности уменьшают риск случайного запуска электроинструмента.
- Храните неиспользуемые электроинструменты в местах, недоступных для детей, и не доверяйте электроинструмент лицам, не знакомым с ним и с этими инструкциями. Электроинструменты опасны в руках неподготовленных пользователей.
- Выполняйте техническое обслуживание электроинструментов и принадлежностей. Проверьте выравнивание и сцепление подвижных деталей, наличие поломок и прочие условия, которые могут повлиять на работу электроинструмента. Если электроинструмент поврежден, перед использованием его необходимо отремонтировать. Недостаточный уход за электроинструментом и принадлежностями является причиной многих несчастных случаев.

- Храните режущие инструменты в чистоте и заточенном состоянии. Правильно обслуживаемые и хорошо заточенные режущие инструменты меньше заклинивают и лучше контролируются.
- Используйте электроинструмент, аксессуары, насадки и т. п. в соответствии с этими инструкциями, учитывая условия и специфику выполняемой работы. Использование электроинструмента для выполнения непредусмотренных операций может привести к опасным ситуациям.
- Следите за тем, чтобы рукоятки и поверхности захвата были сухими и чистыми и на них не было масла или смазочного материала. Скользкие рукоятки и поверхности захвата не позволяют безопасно использовать инструмент и контролировать его в непредвиденных ситуациях.

ЭКСПЛУАТАЦИЯ И ОБСЛУЖИВАНИЕ ИНСТРУМЕНТА С ПИТАНИЕМ ОТ АККУМУЛЯТОРА

- Заряжайте аккумулятор только с помощью зарядного устройства, указанного изготовителем. Зарядное устройство, предназначенное для одного типа аккумуляторных батарей, может стать причиной пожара при использовании с другим типом батарей.
- Используйте электроинструмент только со специально предназначенными для него аккумуляторами. Использование любого другого вида аккумуляторных батарей может стать причиной несчастных случаев или пожара.
- Когда аккумулятор не используется, храните его отдельно от металлических предметов — канцелярских скрепок, монет, ключей, гвоздей, винтов и др. — они могут соединить контакты. Короткое замыкание контактов аккумуляторной батареи может стать причиной ожогов или пожара.
- При неблагоприятных обстоятельствах из аккумулятора может потечь электролит; избегайте контакта с ним. При случайном контакте промойте водой. Если жидкость попала в глаза, обратитесь к врачу. Жидкость из аккумуляторной батареи может вызвать раздражение и ожоги.
- Не используйте аккумулятор и инструмент, если они повреждены или подвергались модификациям. Поведение поврежденных или модифицированных аккумуляторов может быть непредсказуемым, что приведет к возгоранию, взрыву и риску получения травм.

RU

- Не подвергайте аккумуляторную батарею и инструмент воздействию огня и высокой температуры. Воздействие огня или температуры выше 100 °C может привести к взрыву.
- Следуйте всем инструкциям по зарядке и не заряжайте аккумулятор и инструмент при температуре, выходящей за пределы указанного диапазона. Если зарядка выполняется неправильно или в условиях неподходящей температуры, это может привести к повреждению аккумулятора и возгоранию.

ДОПОЛНИТЕЛЬНЫЕ ПРЕДУПРЕЖДЕНИЯ ПО ТЕХНИКЕ БЕЗОПАСНОСТИ

Обучение

- Внимательно прочитайте инструкцию. Ознакомьтесь со всеми элементами управления и научитесь правильному использованию оборудования.
- Никогда не позволяйте пользоваться устройством детям или людям, не знакомым с этими инструкциями. Местные нормы могут ограничивать возраст оператора.
- Никогда не используйте устройство если рядом находятся люди (особенно дети) или домашние животные.
- Помните, что оператор или владелец несут ответственность за несчастные случаи и ущерб, нанесенный другим людям или их имуществу.

Подготовка

- Для работы всегда надевайте прочную обувь и длинные брюки. Не работайте с устройством босиком или в открытых сандалиях.
- Внимательно осмотрите участок, где будет использоваться устройство, и удалите все объекты, которые могут быть выброшены из-под него.
- Перед работой всегда осматривайте инструменты на наличие признаков износа или повреждений. Изношенные и поврежденные детали и болты необходимо заменять сразу комплектом, чтобы не нарушать балансировку.

Эксплуатация

- Не запускайте двигатель в закрытом пространстве, где может накапливаться опасное количество угарного газа.
- Работайте только при дневном свете или хорошем искусственном освещении.
- На склонах всегда следите за тем, чтобы находиться в устойчивом положении.

- Никогда не бегите с устройством.
- При использовании ротационных устройств на колесах перемещайтесь только поперек склона, но не вдоль.
- Будьте очень осторожны при перемене направления движения по склону.
- Не работайте на слишком крутых склонах.
- Будьте предельно осторожны, двигаясь задним ходом или перемещая устройство по направлению к себе.
- Не изменяйте настройку регулятора двигателя и не превышайте допустимую скорость работы двигателя.
- Запустите двигатель в соответствии с инструкцией производителя. Ноги должны находиться на безопасном расстоянии.
- Держите руки и ноги подальше от вращающихся деталей.
- Никогда не поднимайте и не переносите устройство с работающим двигателем.

РАБОТА НА СКЛОНЕ

На склоне легко поскользнуться и упасть, что может стать причиной серьезных травм. На склонах всегда следите за тем, чтобы находиться в устойчивом положении. Работа на склонах требует повышенной внимательности. Не работайте на склоне, если вам это неудобно.

- Осмотрите склон на наличие ям, ухабов, камней, незаметных объектов или неровностей, в результате которых можно поскользнуться или споткнуться. Препятствия могут быть незаметны из-за высокой травы.

РЕМОНТ

- Ремонт электроинструмента должен производиться квалифицированным специалистом с использованием только идентичных запасных частей. Это обеспечит безопасную работу электроинструмента.
- Никогда не выполняйте обслуживание поврежденного аккумулятора. Обслуживание аккумуляторов должно выполняться только производителем или в авторизованном сервисном центре.

▲ ПРЕДУПРЕЖДЕНИЕ. Прочитайте все правила безопасности, инструкции, иллюстрации и спецификации, прилагаемые к этому электроинструменту. Невыполнение изложенных ниже инструкций может привести к поражению электрическим током, пожару и (или) тяжелым травмам. Сохраните все предупреждения и инструкции для использования в будущем.

- Используйте только аккумуляторы и зарядные устройства, указанные на рис. А.

СОХРАНИТЕ НАСТОЯЩУЮ ИНСТРУКЦИЮ

ХАРАКТЕРИСТИКИ

Диаметр барабана-щетки	250 мм	
Ширина полосы очистки	560 мм	
Рекомендуемая рабочая температура	-15 °C-40 °C	
Рекомендуемая температура хранения	-20 °C-70 °C	
Масса (вместе с щитком)	5,05 кг	
Измеренный уровень звуковой мощности, L_{WA}	91,4 дБ (А) K=2,02 дБ (А)	
Уровень звукового давления на уши оператора, L_{PA}	82,8 дБ (А) K=2,5 дБ (А)	
Гарантированный уровень звуковой мощности, L_{WA} (измеренный в соответствии со стандартом 2000/14/ЕС)	93 дБ (А)	
Значение вибрации a_n	Передняя вспомогательная рукоятка	0,46 м/с ² K = 1,5 м/с ²
	Задняя рукоятка	1,43 м/с ² K = 1,5 м/с ²

- Вышеуказанные параметры протестированы и измерены при использовании с приводным блоком RH1400E.
- Указанное общее значение вибрации было определено с помощью стандартного теста и может быть использовано для сравнения разных инструментов.
- Указанное общее значение вибрации также может использоваться для предварительной оценки уровня воздействия.

ПРИМЕЧАНИЕ. Реальное вибрационное воздействие электроинструмента может отличаться от указанного в зависимости от способа использования. В целях безопасности оператор должен надевать перчатки и средства защиты органов слуха во время использования устройства.

КОМПЛЕКТ ПОСТАВКИ

НАЗВАНИЕ ДЕТАЛИ	КОЛИЧЕСТВО
Насадка-щетка	1

Валик с щеткой	2
Ось привода	2
Щиток (с болтом)	1
Шестигранный ключ	1
Шплинт	2
Стопорный штифт	2
Руководство по эксплуатации	1

ОПИСАНИЕ

ЧАСТИ НАСАДКИ-ЩЕТКИ (Рис. А)

1. Концевой колпачок
2. Вал насадки-щетki
3. Щиток
4. Валик с щеткой
5. Редуктор
6. Шплинт
7. Шестигранный ключ

RU

СБОРКА

⚠ ПРЕДУПРЕЖДЕНИЕ. Если какие-либо части повреждены или отсутствуют, не используйте устройство, пока они не будут установлены. Использование устройства в случае повреждения или отсутствия частей может привести к получению серьезной травмы.

⚠ ПРЕДУПРЕЖДЕНИЕ. Не пытайтесь изменить конструкцию устройства или создать не рекомендованные для него дополнительные приспособления. Подобное изменение считается ненадлежащим использованием и способствует возникновению опасной ситуации, которая приведет к получению серьезной травмы.

⚠ ПРЕДУПРЕЖДЕНИЕ. Перед сборкой отсоедините разъем аккумулятора, чтобы предотвратить случайное включение инструмента и получение серьезной травмы.

⚠ ПРЕДУПРЕЖДЕНИЕ. Не подключайте насадку-щетку к приводному блоку до завершения сборки. Несоблюдение данного правила может привести к непреднамеренному запуску и получению серьезных травм.

УСТАНОВКА ЩИТКА

⚠ ПРЕДУПРЕЖДЕНИЕ. Прежде чем подключить насадку-щетку к приводному блоку, установите щиток.

1. С помощью прилагаемого шестигранного ключа открутите болт и извлеките его из щитка (Рис. В).
2. Поднимите вал насадки-щеточки и снимите с вала концевой колпачок.
3. Совместите прорезь в щитке с выступом на конце вала и насадите щиток на вал таким образом, чтобы совместились резьбовые отверстия для винтов в щитке и выступе (Рис. С и D).

Описание частей на Рис. С и D

C-1	Прорезь
C-2	Выступ
D-1	Болт

RU

4. Чтобы закрепить щиток, закрутите болт по часовой стрелке с помощью прилагаемого шестигранного ключа.

УСТАНОВКА ВАЛИКА С ЩЕТКОЙ

1. Поместите ось привода на приводной вал (Рис. E).
Описание частей на Рис. E.

E-1	Приводной вал
E-2	Ось привода

2. Чтобы закрепить ось привода на приводном валу, вставьте стопорный штифт в отверстие.

ПРИМЕЧАНИЕ. Стопорный штифт должен быть установлен на место (Рис. F).

Описание частей на Рис. F.

F-1	Стопорный штифт
F-2	Отверстие

3. Выполните те же действия для установки другой оси привода.
4. Поместите валик с щеткой на ось привода (Рис. G).
Описание частей на Рис. G.

G-1	Валик с щеткой
G-2	Ось привода

5. Чтобы закрепить валик с щеткой на оси привода, вставьте шплинт в отверстие (Рис. H).
Описание частей на Рис. H.

H-1	Шплинт
-----	--------

6. Выполните те же действия для установки другого валика с щеткой.

УСТАНОВКА НАСАДКИ-ЩЕТКИ НА ПРИВОДНОЙ БЛОК

⚠ ПРЕДУПРЕЖДЕНИЕ. Никогда не выполняйте установку или регулировку принадлежностей, если приводной блок работает или в него установлен аккумулятор. Двигатель должен быть остановлен, а аккумулятор извлечен, в противном случае существует риск получения серьезных травм.

Эта насадка-щетка предназначена для использования с приводным блоком EGO RH1400E.

1. Остановите двигатель и извлеките аккумулятор.
2. Ослабьте барашковую гайку на муфте приводного блока.
3. Снимите концевой колпачок с вала насадки и уберите в надежное место до последующего использования.

Совместите стрелку на вале насадки-щеточки со стрелкой на муфте (Рис. I) и вставьте вал насадки-щеточки в муфту до щелчка (Рис. J).

Описание частей на Рис. I.

I-1	Кнопка извлечения вала
I-2	Стрелка на муфте
I-3	Барашковая гайка
I-4	Стрелка на вале насадки
I-5	Красная линия

Описание частей на Рис. J.

J-1	Красная линия
-----	---------------

4. Слегка потяните за вал насадки-щеточки, чтобы убедиться, что он надежно зафиксирован в муфте. В противном случае перемещайте насадку в муфте назад и вперед, пока не услышите щелчок.
5. Туго затяните барашковую гайку.

⚠ ПРЕДУПРЕЖДЕНИЕ. Перед использованием устройства убедитесь, что барашковая гайка на муфте полностью затянута. Во время использования время от времени проверяйте надежность ее затяжки, чтобы предотвратить риск получения травм.

ИЗВЛЕЧЕНИЕ ИНСТРУМЕНТА ИЗ ПРИВОДНОГО БЛОКА

1. Остановите двигатель и извлеките аккумулятор.

2. Открутите барашковую гайку.
3. Нажмите кнопку извлечения вала и, удерживая ее нажатой, вытяните или выкрутите вал насадки-щетку из муфты, чтобы отсоединить его от приводного блока.

ЭКСПЛУАТАЦИЯ

⚠ ПРЕДУПРЕЖДЕНИЕ. Не допускайте небрежности и беспечности при работе с устройством. Помните, что потери бдительности на долю секунды достаточно для получения серьезной травмы.

⚠ ПРЕДУПРЕЖДЕНИЕ. Всегда надевайте защитные очки, а также используйте защиту органов слуха. В противном случае выбрасываемые предметы могут попасть в глаза, что приведет к получению серьезной травмы.

⚠ ПРЕДУПРЕЖДЕНИЕ. Не используйте насадки или дополнительные приспособления, не рекомендованные производителем устройства. Использование нерекондованных насадок и дополнительных приспособлений может привести к серьезным травмам.

ПРИМЕНЕНИЕ

Данное устройство можно использовать в следующих целях.

- Очистка участков и дорожек, в том числе неровных и состыкованных поверхностей.
- Очистка тротуаров, бетонных и асфальтовых проездов, проходов и дворов.

⚠ ПРЕДУПРЕЖДЕНИЕ. Одевайтесь надлежащим образом, чтобы снизить риск получения травм при использовании данного инструмента. Не надевайте свободную одежду и украшения. Используйте защитные очки. Надевайте плотные длинные брюки, прочную обувь и перчатки. Не надевайте шорты, сандалии и не работайте босиком.

Если очищаемая поверхность сухая, обрызгайте ее водой, чтобы уменьшить количество создаваемой пыли.

При работе держите устройство перед собой. Удерживайте инструмент одной рукой за заднюю рукоятку, а другой — за переднюю вспомогательную рукоятку. Во время работы крепко держите устройство обеими руками.

Держите и направляйте щетку под небольшим углом. Если щетка удерживается под слишком большим углом, она может перемещаться в сторону оператора.

Обеспечьте надежный захват и сохраняйте устойчивое положение обеих ног (Рис. К).

Отбрасываемые материалы могут нанести серьезные травмы оператору и посторонним лицам. Чтобы снизить риск получения травм, необходимо принять следующие меры предосторожности.

- Во время работы всегда держите щетку двумя руками. Крепко держитесь за обе рукоятки.
- Перед началом работы переместите щетку в рабочую зону и запустите на низкой скорости.
- Чтобы снизить риск получения травм при потере контроля, держите и направляйте щетку под небольшим углом. Если щетка удерживается под слишком большим углом, она может перемещаться в сторону оператора.

Перед каждым использованием проверяйте устройство на наличие поврежденных и изношенных частей.

Проверьте валик с щеткой, щиток, переднюю вспомогательную рукоятку и ось привода. Замените все треснувшие, деформированные, изогнутые или поврежденные детали.

Очищайте щетку после каждого использования. Инструкции по очистке см. в разделе «Обслуживание».

ВКЛЮЧЕНИЕ И ВЫКЛЮЧЕНИЕ ИНСТРУМЕНТА

См. раздел «ВКЛЮЧЕНИЕ И ВЫКЛЮЧЕНИЕ ПРИВОДНОГО БЛОКА» в руководстве пользователя приводного блока RH1400E.

ОБСЛУЖИВАНИЕ

⚠ ПРЕДУПРЕЖДЕНИЕ. При ремонте используйте только идентичные запасные части. Использование других запасных частей может привести к возникновению опасной ситуации или повреждению устройства. Для обеспечения безопасности и надежности устройства его ремонт должен выполнять квалифицированный специалист.

RU

⚠ ПРЕДУПРЕЖДЕНИЕ. Работающие от аккумуляторов инструменты не требуются подключать к розетке электросети, поэтому они всегда готовы к использованию. Чтобы предотвратить получение серьезных травм, будьте особо осторожны и внимательны при выполнении технического обслуживания, ремонта или замене режущих или других приспособлений.

⚠ ПРЕДУПРЕЖДЕНИЕ. Чтобы предотвратить получение серьезных травм, извлекайте аккумулятор из приводного блока и дождитесь полной остановки валика с щеткой перед выполнением сервисного обслуживания, очистки, замены принадлежностей и хранением устройства.

ОБЩЕЕ ОБСЛУЖИВАНИЕ

⚠ ПРЕДУПРЕЖДЕНИЕ. Не допускайте попадания на пластиковые части тормозной жидкости, бензина, продуктов на нефтяной основе, пропитывающих масел и т. д. Химические вещества могут повредить, ослабить или разрушить пластик, что приведет к получению серьезных травм.

⚠ ПРЕДУПРЕЖДЕНИЕ. При очистке насадки-щеточки НЕ погружайте ее в воду и другие жидкости. Не очищайте устройство с помощью мойки высокого давления. Мощная струя воды может повредить части устройства.

ОБСЛУЖИВАНИЕ ВАЛИКА С ЩЕТКОЙ

- Очищайте валик с щеткой как можно чаще.
- Если какой-либо из валиков нуждается в замене вследствие повреждения, замените оба валика для обеспечения максимальной эффективности.

Все работы по обслуживанию насадки-щеточки, кроме тех, которые описаны в инструкциях по обслуживанию, должны выполняться квалифицированными специалистами.

ЗАМЕНА ВАЛИКОВ С ЩЕТКАМИ

⚠ ПРЕДУПРЕЖДЕНИЕ. После длительного использования поврежденный валик может разрушиться на части, которые будут опасно разлетаться в стороны. Отбрасываемые предметы могут нанести серьезные травмы. Регулярно проверяйте устройство и не используйте насадку-щетку с изношенными или поврежденными деталями.

Демонтаж (Рис. L)

1. Извлеките шплинт из отверстия на конце оси привода.
2. Потяните валик с щеткой вместе с колпачком и снимите с оси привода.
3. Если ось привода повреждена, извлеките стопорный штифт из отверстия в оси привода и снимите ось с приводного вала (Рис. M).
4. Если колпачок поврежден, снимите его с валика и замените на новый.
5. Выполните те же действия для снятия другого валика с щеткой.

Описание частей на Рис. L.

L-1	Приводной вал	L-4	Шплинт
L-2	Стопорный штифт	L-5	Колпачок
L-3	Валик с щеткой	L-6	Ось привода

Установка

1. Установите ось привода на приводной вал и вставьте стопорный штифт в отверстие в оси привода (см. Рис. F).
2. Установите колпачок на валик с щеткой таким образом, чтобы выступ на колпачке совместился с отверстием в валике (Рис. N).

Описание частей на Рис. N.

N-1	Отверстие
N-2	Выступ

3. Поместите валик с щеткой на ось привода (см. Рис. G).
4. Вставьте шплинт в отверстие на конце оси привода и разогните его концы.
5. Выполните те же действия для установки другого валика с щеткой.

⚠ ПРЕДУПРЕЖДЕНИЕ. Всегда заменяйте оба валика одновременно.

ОЧИСТКА УСТРОЙСТВА

- Извлеките аккумулятор.
- Удалите части корней, почвы и растений с валиков, щетки и корпуса редуктора. Для тщательной очистки снимите валики и щеток и как следует промойте их. Подробное описание процедуры замены см. в предыдущем разделе «ЗАМЕНА ВАЛИКОВ С ЩЕТКАМИ».

- Следите за тем, чтобы вентиляционные отверстия не были засорены.

ХРАНЕНИЕ УСТРОЙСТВА

- Извлеките аккумулятор из устройства.
- Тщательно очистите инструмент и проверьте валики с щетками.
- Извлеките насадку-щетку из приводного блока и закройте вал концевым колпачком, чтобы предотвратить попадание грязи в муфту.
- Храните инструмент в сухом, хорошо проветриваемом, закрытом или высоком месте, недоступном для детей. Не храните устройство рядом с удобрениями, бензином или другими химическими веществами.

Защита окружающей среды



Не выбрасывайте электрооборудование, зарядные устройства, батарейки и аккумуляторы вместе с бытовыми отходами! В соответствии с европейским законом 2012/19/EU электрическое и электронное оборудование, которое не подлежит дальнейшей эксплуатации, а также непригодные и использованные батарейки и аккумуляторы (согласно европейскому закону 2006/66/EC) должны быть утилизированы отдельно. При утилизации электрических устройств на свалках в подземные воды могут просочиться опасные вещества, которые затем попадут в пищевую цепь и приведут к общему ухудшению здоровья и благополучия.

RU

УСТРАНЕНИЕ НЕПОЛАДОК

ПРОБЛЕМА	ПРИЧИНА	РЕШЕНИЕ
Насадка-щетка не запускается.	<ul style="list-style-type: none"> ■ Аккумулятор неправильно установлен в приводной блок. ■ Нет электрического контакта между приводным блоком и аккумулятором. ■ Аккумулятор разряжен. ■ Рычаг блокировки и курковый переключатель приводного блока не зажаты одновременно. ■ Устройство по-прежнему не запускается. 	<ul style="list-style-type: none"> ■ Установите аккумулятор в приводной блок. ■ Извлеките аккумулятор, проверьте контакты и установите аккумулятор на место до щелчка. ■ Зарядите аккумулятор с помощью зарядного устройства EGO, указанного в данном руководстве. ■ Нажмите на рычаг блокировки и удерживайте его, затем зажмите курковый переключатель, чтобы включить инструмент. ■ Обратитесь в сервисный центр EGO.
Насадка-щетка повреждена.	<ul style="list-style-type: none"> ■ Устройство было повреждено при транспортировке или использовании. 	<ul style="list-style-type: none"> ■ Обратитесь в сервисный центр EGO.
Насадка-щетка остановилась во время работы.	<ul style="list-style-type: none"> ■ Двигатель перегружен. ■ Аккумулятор или приводной блок перегрелся. ■ Аккумулятор не подключен к устройству. ■ Аккумулятор разряжен. ■ Устройство по-прежнему не запускается. 	<ul style="list-style-type: none"> ■ Двигатель начнет работать снова, как только нагрузка уменьшится. При длительной работе снизьте нагрузку на насадку-щетку. ■ Дайте аккумулятору или приводному блоку остыть, пока его температура не упадет ниже 67 °C. ■ Установите аккумулятор. ■ Зарядите аккумулятор с помощью зарядного устройства EGO, указанного в данном руководстве. ■ Обратитесь в сервисный центр EGO.

RU

ГАРАНТИЯ

ГАРАНТИЙНАЯ ПОЛИТИКА EGO

Посетите веб-сайт egopowerplus.com, чтобы ознакомиться со всеми условиями и сроками гарантийной политики EGO.

PRZECZYTAJ WSZYSTKIE INSTRUKCJE!



PRZECZYTAJ INSTRUKCJĘ OPERATORA

⚠ Ryzyko resztkowe! Osoby z urządzeniami elektronicznymi, takimi jak rozruszniki serca, powinny przed użyciem produktu skonsultować się ze swoim(i) lekarzem/-ami. Używanie urządzeń elektronicznych blisko rozrusznika serca może spowodować zakłócenia lub uszkodzić rozrusznik.

⚠ OSTRZEŻENIE: Aby zagwarantować bezpieczeństwo i niezawodność, wszystkie naprawy i wymiany części powinny być wykonywane przez wykwalifikowanych techników serwisu.

SYMBOL BEZPIECZEŃSTWA

Celem symboli bezpieczeństwa jest zwrócenie uwagi użytkownika na możliwe zagrożenia. Symbole bezpieczeństwa i objaśnienia do nich zasługują na to, aby je uważnie przestudiować i zrozumieć. Symbole bezpieczeństwa nie eliminują same z siebie jakichkolwiek zagrożeń. Podawane w nich instrukcje i ostrzeżenia nie zastępują odpowiednich środków zapobiegania wypadkom.

⚠ OSTRZEŻENIE: Przed użyciem narzędzia należy koniecznie przeczytać ze zrozumieniem wszystkie instrukcje dotyczące bezpieczeństwa podane w podręczniku użytkownika, łącznie z wszystkimi symbolami ostrzegawczymi takimi jak „NIEBEZPIECZEŃSTWO”, „OSTRZEŻENIE” i „UWAGA”. Niestosowanie się do wszystkich podanych niżej instrukcji może doprowadzić do porażenia prądem, pożaru i/lub poważnych obrażeń.

ZNACZENIE SYMBOLI

⚠ SYMBOL OSTRZEGAWCZY: Oznacza **NIEBEZPIECZEŃSTWO**, **OSTRZEŻENIE** lub **UWAGĘ**, może być używany razem z innymi symbolami lub piktoqramami.



⚠ OSTRZEŻENIE: Praca elektronarzędziami może spowodować wyrzucenie ciał obcych w oczy użytkownika, co może doprowadzić do poważnych urazów oczu. Przed rozpoczęciem pracy elektronarzędziem należy zawsze założyć gogle ochronne lub okulary z osłonami bocznymi, a w stosownych przypadkach także pełną osłonę na twarz. Zalecamy nakładanie na zwykłe okulary maski zabezpieczającej o szerokim polu widzenia lub stosowanie standardowych okularów zabezpieczających z osłonami bocznymi.

INSTRUKCJE DOTYCZĄCE BEZPIECZEŃSTWA

Na tej stronie pokazano i opisano symbole bezpieczeństwa, które mogą występować na produkcie. Przed podjęciem próby złożenia i użycia urządzenia należy przeczytać i zrozumieć wszystkie instrukcje dotyczące narzędzia oraz zastosować się do nich.

	Ostrzeżenie dotyczące bezpieczeństwa	Wskazuje na potencjalne ryzyko urazów ciała.
	Przeczytaj instrukcję operatora	Aby zmniejszyć ryzyko urazów, przed rozpoczęciem korzystania z produktu, użytkownik musi przeczytać i zrozumieć instrukcję.
	Noś okulary ochronne	Podczas używania produktu należy zawsze nosić gogle ochronne lub okulary ochronne z osłonami bocznymi, a także pełną osłonę na twarz.
	Osoby postronne trzymaj z daleka	Osoby postronne trzymaj w bezpiecznej odległości
	Noś rękawice ochronne	Na czas prac przy ostrzach należy zabezpieczyć ręce rękawicami. Wytrzymałe rękawice antypoślizgowe poprawiają trzymanie i chronią dłonie.
	Noś obuwie ochronne	Podczas używania urządzenia należy nosić obuwie ochronne z podeszwami antypoślizgowymi.
	Rykoszet	Przedmioty wyrzucone w powietrze mogą odbić się rykoszetem i doprowadzić do urazów lub strat materialnych.
	Chronić przed deszczem	Nie używać w deszczu i nie zostawiać na dworze podczas deszczu.
	CE	Ten produkt jest zgodny z obowiązującymi dyrektywami WE.
	WEEE	Zużytych wyrobów elektrycznych nie należy wyrzucać razem ze zwykłymi odpadami domowymi. Należy je oddać do autoryzowanego punktu recyklingu.

PL

	Hałas	Gwarantowany poziom mocy akustycznej. Emisja hałasu do środowiska zgodnie z dyrektywą Wspólnoty Europejskiej.
V	Wolt	Napięcie
mm	Milimetr	Długość lub rozmiar
kg	Kilogram	Ciężar

OGÓLNE OSTRZEŻENIA DOTYCZĄCE BEZPIECZEŃSTWA UŻYWANIA ELEKTRONARZĘDZI

⚠ OSTRZEŻENIE: Prosimy przeczytać wszystkie dotyczące narzędzia ostrzeżenia i instrukcje oraz przestudiować ilustracje i specyfikację. Niestosowanie się do wszystkich podanych niżej instrukcji może doprowadzić do porażenia prądem, pożaru i/lub poważnych obrażeń.

Prosimy zachować na przyszłość wszystkie ostrzeżenia i instrukcje.

PL

BEZPIECZEŃSTWO W MIEJSCU PRACY

- Należy dbać o czystość i dobre oświetlenie w miejscu pracy. Bałagan i złe oświetlenie sprzyjają wypadkom.
- Nie należy używać elektronarzędzi w miejscach zagrożonych wybuchem, np. w obecności łatwopalnych cieczy, gazów lub pyłu. Elektronarzędzia wytwarzają iskry, które mogą zapalić opary lub pył.
- W czasie pracy elektronarzędzie należy trzymać z dala od dzieci i osób postronnych. Chwila nieuwagi może spowodować utratę kontroli nad urządzeniem.

BEZPIECZEŃSTWO ELEKTRYCZNE

- Elektronarzędzia należy chronić przed deszczem i wilgocią. Woda dostająca się do wnętrza elektronarzędzia zwiększa ryzyko porażenia prądem.

BEZPIECZEŃSTWO OSOBISTE

- Podczas pracy narzędziem należy zachowywać czujność, patrzeć, co się robi i kierować się zdrowym rozsądkiem. Nie należy używać elektronarzędzia, gdy użytkownik jest zmęczony, albo jest pod wpływem narkotyków, alkoholu lub leków. Chwila nieuwagi w czasie posługiwania się elektronarzędziami może spowodować poważne obrażenia.
- Należy używać środków ochrony osobistej. Stosowanie w odpowiednich warunkach środków ochrony osobistej takich jak np. okulary ochronne, maska przeciwpyłowa, obuwie ochronne z podeszwami antypoślizgowymi, kask i/lub ochronniki słuchu zmniejszy ewentualne obrażenia.

- Nie należy dopuszczać do przypadkowego włączenia. Należy pilnować, aby przed podłączeniem narzędzia do zasilania i/lub baterii akumulatorowej oraz przed podniesieniem i przenoszeniem przełącznik był ustawiony w pozycji „wyłączone”. Trzymanie palca na przełączniku włączającym w czasie przenoszenia elektronarzędzi lub podłączanie ich do zasilania, gdy przełącznik ustawiony jest w pozycji „włączone”, może doprowadzić do wypadku.
- Przed włączeniem elektronarzędzia należy usunąć wszystkie klucze regulacyjne i inne narzędzia. Klucz zaczepiony o obracającą się część elektronarzędzia może spowodować obrażenia.
- Nie należy sięgać za daleko. Należy zawsze dbać o utrzymanie równowagi i pewne podparcie nóg. W nieprzewidzianych sytuacjach zapewnienia to lepszą kontrolę nad elektronarzędziem.
- Należy nosić odpowiednią odzież. Nie powinno się nosić luźnych ubrań ani biżuterii. Włosy, odzież i rękawice należy trzymać z dala od poruszających się części. Luźne ubrania, biżuteria lub długie włosy mogą zaczepić się o poruszające się części.
- Jeżeli urządzenie jest przystosowane do podłączania do odsysacza pyłu i urządzenia zbierającego, należy dopilnować, aby systemy te były podłączone i właściwie stosowane. Używanie urządzeń służących do pochłaniania pyłu może zmniejszyć zagrożenia związane z pyłem.
- Nie wolno dopuścić do tego, aby poczucie znajomości narzędzia wynikające z jego częstego używania doprowadziło do lekceważenia i ignorowania zasad bezpieczeństwa. Jedno lekkomyślne działanie może w ułamku sekundy doprowadzić do ciężkich urazów.

UŻYWANIE I KONSERWOWANIE ELEKTRONARZĘDZI

- Elektronarzędzia nie należy forsować. Należy używać narzędzia dostosowanego do wykonywanej pracy. Odpowiednie narzędzie elektryczne wykona pracę lepiej i bezpieczniej, gdy pozwoli mu się pracować z prędkością/obrotami do jakich zostało zaprojektowane.
- Nie należy używać elektronarzędzia, jeżeli przełącznik zasilania nie włącza go lub nie wyłącza. Elektronarzędzie, którego nie da się kontrolować przełącznikiem, jest potencjalnie niebezpieczne i wymaga naprawy.
- Przed usunięciem zakleszczonego materiału, jakkolwiek regulacją, wymianą akcesoriów, czyszczeniem lub schowaniem elektronarzędzia należy wyjąć z niego akumulator (o ile się da). Tego typu zapobiegawcze środki ostrożności zmniejszają ryzyko przypadkowego włączenia się elektronarzędzia.

- Nieużywane elektronarzędzia należy przechowywać w miejscu niedostępnym dla dzieci. Osobom, które nie znają narzędzia lub nie zapoznały się z instrukcją nie należy pozwalać go używać. W rękach nieprzeszkolonych użytkowników elektronarzędzia mogą stanowić zagrożenie.
- Elektronarzędzia i akcesoria należy utrzymywać w dobrym stanie. Należy kontrolować, czy części ruchome nie są odchyłone od osi, nie zacinają się i nie są pęknięte lub uszkodzone w inny sposób, który mógłby wpłynąć na działanie elektronarzędzia. W razie uszkodzenia, przed użyciem narzędzie należy oddać do naprawy. Wiele wypadków wynika ze złej konserwacji narzędzi i akcesoriów.
- Należy dbać o czystość i naostrzenie narzędzi tnących. Odpowiednio utrzymane narzędzia tnące z ostrymi krawędziami tnącymi są mniej narażone na zakleszczanie się i łatwiej jest je kontrolować.
- Elektronarzędzi, akcesoriów, wiertel, bitów, itp. należy używać zgodnie z niniejszą instrukcją, z uwzględnieniem warunków i rodzaju wykonywanej pracy. Korzystanie z elektronarzędzi niezgodnie z przeznaczeniem może prowadzić do niebezpiecznych sytuacji.
- Należy dbać o to, aby powierzchnia uchwytów była sucha, czysta i niezaplamiona olejem lub smarem. Śliskie uchwyty nie pozwalają w bezpieczny sposób kontrolować narzędzia w nieprzewidzianych sytuacjach.
- Nie należy używać akumulatora lub narzędzia, które są uszkodzone lub zostały poddane przeróbkom. Uszkodzone lub zmodyfikowane akumulatory mogą zachowywać się w sposób nieprzewidywalny, co może doprowadzić do pożaru lub wybuchu lub stwarzać ryzyko urazów.
- Nie należy narażać akumulatora lub narzędzia na kontakt z ogniem lub zbyt wysokimi temperaturami. Ogień lub temperatury przekraczające 100°C mogą doprowadzić do wybuchu.
- Należy przestrzegać wszystkich instrukcji ładowania. Nie należy ładować akumulatora lub narzędzia poza przedziałem temperatur podanym w instrukcji. Ładowanie w sposób nieprawidłowy lub w temperaturze wykraczającej poza określony zakres może doprowadzić do uszkodzenia akumulatora i zwiększa ryzyko pożaru.

POZOSTAŁE OSTRZEŻENIA

Szkolenie

- Prosimy uważnie przeczytać instrukcję. Należy zapoznać się z elementami sterującymi i metodami poprawnej obsługi urządzenia.
- Nigdy nie należy pozwalać używać urządzenia osobom nieobeznanym z niniejszą instrukcją lub dzieciom. Przepisy lokalne mogą nakładać ograniczenia dotyczące wieku operatora.
- Nigdy nie należy pracować, kiedy w pobliżu znajdują się ludzie, zwłaszcza dzieci lub zwierzęta domowe.
- Należy pamiętać, że operator lub użytkownik ponosi odpowiedzialność za wypadki lub zagrożenia dotyczące osób trzecich lub ich własności.

Przygotowanie

- Podczas pracy należy zawsze nosić solidne obuwie i długie spodnie. Nie wolno korzystać ze sprzętu na boso lub w sandałach.
- Należy dokładnie sprawdzić obszar, na którym sprzęt ma być używany i usunąć wszystkie przedmioty, które mogą zostać wyrzucone przez urządzenie.
- Przed rozpoczęciem użytkowania należy zawsze dokonać kontroli wizualnej, aby upewnić się, czy narzędzie nie jest zużyte lub uszkodzone. Ze względu na równowagę, zużyte lub uszkodzone elementy należy wymieniać całymi kompletami.

Użytkowanie

- Nie należy włączać silnika w ciasnych miejscach, w których mogłyby zbierać się niebezpieczne spaliny zawierające tlenek węgla.

UŻYWANIE I KONSERWOWANIE NARZĘDZI AKUMULATOROWYCH

- Do ładowania należy używać wyłącznie ładowarki wskazanej przez producenta. Użycie ładowarki pochodzącej od jednego akumulatora do ładowania innego akumulatora grozi pożarem.
- Elektronarzędzi należy używać wyłącznie z dedykowanymi do nich akumulatorami. Użycie jakichkolwiek innych akumulatorów grozi obrażeniami i pożarem.
- Jeżeli akumulator nie jest używany, należy go przechowywać z dala od innych przedmiotów metalowych, np. spinaczy, monet, kluczy, gwoździ, śrub i innych drobnych przedmiotów metalowych, które mogłyby spowodować zwarcie wyprowadzeń akumulatora. Zwarcie wyprowadzeń akumulatora może doprowadzić do oparzenia lub pożaru.
- W niesprzyjających warunkach może dojść do wycieku cieczy z akumulatora. Należy wtedy unikać wszelkiego kontaktu z tą cieczą. W razie przypadkowego kontaktu ze skórą, zabrudzone miejsce należy obficie przemyć wodą. Jeżeli płyn dostanie się do oczu, należy dodatkowo zasięgnąć porady lekarza. Płyn wyciekający z akumulatora może powodować podrażnienie lub oparzenia.

- Prace należy wykonywać tylko przy świetle dziennym lub przy dobrym oświetleniu sztucznym.
- Na pochyłościach należy zawsze dbać o zachowanie równowagi.
- Z maszyną należy chodzić, a nie biegać.
- W przypadku urządzeń obrotowych na kółkach, należy pracować w poprzek zbocza, a nie w górę i w dół.
- Podczas zmiany kierunku na pochyłościach należy zachować szczególną ostrożność.
- Nie należy pracować na zbyt stromych zboczach.
- Podczas cofania lub ciągnięcia maszyny do siebie należy zachować szczególną ostrożność.
- Nie wolno zmieniać ustawień regulacji silnika ani dopuszczać do pracy na zbyt wysokich obrotach.
- Silnik należy włączać uważnie i zgodnie z instrukcjami producenta. Stopy należy trzymać w bezpiecznej odległości od narzędzia.
- Nie należy kłaść dłoni lub stawiać stóp w pobliżu obracających się części lub pod nimi.
- Nigdy nie należy podnosić ani przenosić urządzenia z włączonym silnikiem.

PL

UŻYTKOWANIE NA POCHYŁOŚCIACH:

Pochyłości są głównym elementem przyczyniającym się do poślizgnięć i upadków, które mogą powodować poważne obrażenia. Na pochyłościach należy zawsze dbać o zachowanie równowagi. Użytkowanie na pochyłościach wymaga zwiększonej ostrożności. Jeśli użytkownik nie czuje się pewnie na pochyłościach, nie powinien używać tam urządzenia.

- Należy uważać na dziury, skały, ukryte przedmioty lub wyboje, które mogą spowodować poślizgnięcie lub potknięcie się. Wysoka trawa maskuje przeszkody.

SERWISOWANIE

- Serwisowanie elektronarzędzia należy powierzać wykwalifikowanemu serwisantowi, a do naprawy używać wyłącznie części zamiennych identycznych z oryginalnymi. Zapewni to bezpieczeństwo eksploatacji elektronarzędzia.
- Uszkodzonych akumulatorów nie należy nigdy naprawiać. Jakiegokolwiek czynności serwisowe przy akumulatorach powinny być wykonywane wyłącznie przez producenta lub pracowników autoryzowanego serwisu.

⚠ OSTRZEŻENIE: Prosimy przeczytać wszystkie dotyczące narzędzia ostrzeżenia i instrukcje oraz przestudiować ilustracje i specyfikację. Niestosowanie się do wszystkich podanych niżej instrukcji może doprowadzić do porażenia prądem, pożaru i/lub poważnych obrażeń. Prosimy zachować na przyszłość wszystkie ostrzeżenia i instrukcje.

- W urządzeniu należy używać wyłącznie akumulatorów i ładowarek podanych na rys. A.

INSTRUKCJI NIE NALEŻY WYRZUCAĆ

SPECYFIKACJA

Średnica bębna	250 mm	
Szerokość pasa czyszczenia	560 mm	
Zalecana temperatura użytkowania	-15°C-40°C	
Zalecana temperatura przechowywania	-20°C-70°C	
Ciężar (z osłoną)	5,05 kg	
Zmierzony poziom mocy akustycznej L_{WA}	91,4 dB(A) K=2,02 dB(A)	
Poziom ciśnienia akustycznego na wysokości ucha operatora L_{PA}	82,8 dB(A) K=2,5 dB(A)	
Gwarantowany poziom mocy akustycznej L_{WA} (pomiar zgodnie z dyrektywą 2000/14/WE)	93 dB(A)	
Szacunkowe drgania a_h	Przedni uchwyt pomocniczy	0,46 m/s ² K= 1,5 m/s ²
	Uchwyt tylny	1,43 m/s ² K= 1,5 m/s ²

- Powyższe parametry są testowane i mierzone na głowicy uniwersalnej PH1400E.
- Deklarowana całkowita wartość drgań została zmierzona zgodnie ze standardowymi metodami testowania i może służyć do porównywania różnych narzędzi.
- Deklarowana całkowita wartość drgań może również służyć do wstępnej oceny narażenia na drgania.

UWAGA: Emisja dźwięku podczas rzeczywistego stosowania elektronarzędzia może różnić się od deklarowanej wartości, w której narzędzie jest używane; aby się zabezpieczyć, użytkownik powinien nosić rękawice i ochronniki na uszy w rzeczywistych warunkach użytkowania.

LISTA ELEMENTÓW W OPAKOWANIU

NAZWY CZĘŚCI	ILOŚĆ
Końcówka-szczotka z kolcami	1
Walek ze szczotką	2
Oś napędzająca	2
Osłona (ze śrubą)	1

Klucz imbusowy	1
Zawlecza sprężynowa	2
Sworzeń blokujący	2
Instrukcja obsługi	1

OPIS

ZAPOZNANIE SIĘ Z KOŃCÓWKĄ-SZCZOTKĄ Z KOLCAMI (Rys. A)

1. Zaślepka
2. Trzonek końcówki-szczotki z kolecami
3. Osłona
4. Walek ze szczotką
5. Przekładnia
6. Zawlecza sprężynowa
7. Klucz imbusowy

MONTAŻ

⚠️ OSTRZEŻENIE: W przypadku braku lub uszkodzenia którejs z części nie należy uruchamiać urządzenia aż do momentu wymiany lub naprawy części. Używanie urządzenia z uszkodzonymi częściami lub gdy którejs z części brakuje może doprowadzić do poważnych urazów ciała.

⚠️ OSTRZEŻENIE: Nie należy próbować przerabiać urządzenia lub tworzyć akcesoriów, które nie są zalecane do używania w tym urządzeniu. Wszelkie tego typu zmiany lub modyfikacje są niedozwolone i mogą prowadzić do niebezpiecznych sytuacji oraz poważnych urazów ciała.

⚠️ OSTRZEŻENIE: Aby zapobiec przypadkowemu włączeniu, które mogłoby spowodować urazy ciała, na czas mocowania części w urządzeniu należy zawsze odłączyć akumulator.

⚠️ OSTRZEŻENIE: Przed całkowitym złożeniem szczotki z kolecami nie należy podłączać do zasilania. Nieprzestrzeganie tego zalecenia może doprowadzić do przypadkowego włączenia się narzędzia, co może spowodować poważne urazy ciała.

MONTAŻ OSŁONY

⚠️ OSTRZEŻENIE: Przed podłączeniem końcówki-szczotki z kolecami należy zainstalować osłonę.

1. Dostarczonym kluczem imbusowym poluzować i wyjąć śrubę z osłony (Rys. B).
2. Podnieść trzonek końcówki-szczotki z kolecami i zdjąć z niego zaślepkę.

3. Po spasowaniu szczeliny w osłonie i żebra na końcu trzonka, przełożyć osłonę przez trzonek w taki sposób, aby otwory na śruby w osłonie i w trzonku dopasowały się do siebie (Rys. C i D).

Rys. C i D – opis części patrz poniżej:

C-1	Szczelina
C-2	Żebro
D-1	Śruba

4. Dostarczonym kluczem imbusowym przykręć śrubę w prawo (zgodnie z kierunkiem ruchu wskazówek zegara), aby zablokować osłonę.

MONTAŻ WAŁKÓW ZE SZCZOTKĄ

1. Wcisnąć oś napędzającą ma walek napędowy (Rys. E).

Rys. E – opis części patrz poniżej:

E-1	Walek napędowy
E-2	Oś napędzająca

2. Aby zamocować oś napędzającą na wałku napędowym, włożyć sworzeń blokujący do otworu blokującego.

UWAGA: Sworzeń blokujący musi być zainstalowany (Rys. F).

Rys. F – opis części patrz poniżej:

F-1	Sworzeń blokujący
F-2	Otwór blokujący

3. Wykonać te same kroki, aby zamontować drugą oś napędzającą.
4. Wcisnąć walek ze szczotką na oś napędzającą (Rys. G).

Rys. G – opis części patrz poniżej:

G-1	Walek ze szczotką
G-2	Oś napędzająca

5. Aby zamocować walek ze szczotką na osi napędzającej, należy włożyć zawleczkę sprężynową do otworu na końcu (Rys. H).

Rys. H – opis części patrz poniżej:

H-1	Zawlecza sprężynowa
-----	---------------------

6. Wykonać te same kroki, aby zamontować drugi walek ze szczotką.

PODŁĄCZANIE KOŃCÓWKI-SZCZOTKI Z KOLCAMI DO GŁOWICY UNIWERSALNEJ

⚠ OSTRZEŻENIE: Nigdy nie należy zakładać ani regulować jakichkolwiek końcówek, gdy głowica uniwersalna pracuje lub z założonym akumulatorem. Niewyłączenie silnika i niewyjęcie akumulatora może doprowadzić do poważnych urazów ciała.

Ta końcówka-szczotka z kolcami została zaprojektowana do używania z głowicą uniwersalną EGO model PH1400E.

1. Wyłączyć silnik i wyjąć akumulator.
2. Odkręcić pokrętkę motylkowe na łączówce głowicy.
3. Jeśli na wałku końcówki znajduje się zaśleпка, zdjąć ją i schować w bezpiecznym miejscu do późniejszego stosowania.

Dopasować strzałkę na trzonku szczotki z kolcami do strzałki na łączówce (Rys. I) i wepchnąć trzonek szczotki z kolcami do łączówki, aż da się słyszeć odgłos KLIKNIĘCIA (Rys. J).

Rys. I – opis części patrz poniżej:

I-1	Przycisk odłączania wałka
I-2	Strzałka na łączówce
I-3	Nakrętka motylkowa
I-4	Strzałka na wałku na końcówkę
I-5	Czerwona linia

Rys. J – opis części patrz poniżej:

J-1	Czerwona linia
-----	----------------

4. Lekko pociągnąć trzonek końcówki-szczotki z kolcami, aby upewnić się, czy jest on dobrze zamocowany w łączówce. Jeśli tak nie jest, obracać trzonek szczotki z kolcami do przodu i do tyłu w łączówce, aż da się słyszeć wyraźne KLIKNIĘCIE oznaczające zablokowanie się.
5. Dokręcić nakrętkę motylkową.

⚠ OSTRZEŻENIE: Przed użyciem urządzenia należy dopilnować, aby nakrętka motylkowa w łączówce była całkowicie dokręcona. Aby nie dopuścić do poważnych urazów, w czasie użytkowania nakrętkę należy okresowo kontrolować.

ZDEJMOWANIE KOŃCÓWKI Z GŁOWICY UNIWERSALNEJ

1. Wyłączyć silnik i wyjąć akumulator.
2. Odkręcić nakrętkę motylkową.
3. Z wciśniętym przyciskiem odłączania trzonka, pociągnąć lub obrócić końcówkę-szczotkę z kolcami i wysunąć ją z łączówki, aby wyjąć ją z głowicy.

UŻYTKOWANIE

⚠ OSTRZEŻENIE: Nie wolno dopuścić do tego, aby znajomość narzędzia doprowadziła do nieuwagi. Należy pamiętać, że do spowodowania poważnych obrażeń wystarczy zaledwie chwila nieuwagi.

⚠ OSTRZEŻENIE: Należy zawsze nosić środki ochrony oczu i uszu. Nieprzestrzeganie tego zalecenia może doprowadzić do poważnych obrażeń oczu odłamkiem lub skrawkiem materiału wyrzuconym przez pracujące narzędzie, a także grozi innymi możliwymi urazami.

⚠ OSTRZEŻENIE: Nie należy używać końcówek lub akcesoriów innych niż zalecane przez producenta produktu. Używanie końcówek lub akcesoriów innych niż zalecane może doprowadzić do poważnych obrażeń.

ZASTOSOWANIA

Urządzenia można używać wyłącznie do celów podanych poniżej:

- Czyszczenie terenu i ścieżek, łącznie z powierzchniami nierównymi i łączonymi.
- Posprzątać podjazdy, ścieżki i podwórza brukowane/wybetonowane/asfaltowe.

⚠ OSTRZEŻENIE: Aby ograniczyć ryzyko obrażeń, podczas pracy narzędziem należy nosić odpowiednią odzież. Nie powinno się nosić luźnych ubrań ani biżuterii. Należy zakładać okulary ochronne. Należy nosić ciężkie długie spodnie, solidne buty i rękawice. Nie należy nosić krótkich spodni lub sandałów ani używać narzędzia na bosą.

Jeśli sprządana powierzchnia jest sucha, należy ją zrosić wodą w celu ograniczenia ilości wytwarzanego pyłu.

Szczotką z kolcami należy pracować do przodu. Szczotkę z kolcami należy trzymać jedną ręką na uchwycie tylnym, a drugą na przednim uchwycie pomocniczym. Podczas pracy szczotką z kolcami należy mocno trzymać uchwyty obiema rękoma.

Szczotkę z kolcami należy trzymać i prowadzić pod niewielkim kątem. Jeśli szczotka z kolcami będzie trzymana pod zbyt stromym kątem, wówczas będzie ona miała tendencję do odskakiwania w tył w kierunku operatora.

Należy zawsze dbać o utrzymanie równowagi na obu nogach i o dobrą przyczepność (Rys. K).

Wyrzucone materiały mogą doprowadzić do ciężkich urazów operatora lub osób postronnych. Aby ograniczyć ryzyko obrażeń ciała, bardzo ważne jest podjęcie następujących środków ostrożności:

- Podczas pracy szczotkę z kolcami należy zawsze trzymać obiema rękoma. Oba uchwyty należy mocno trzymać.
- Przed włączeniem na małych obrotach i rozpoczęciem pracy szczotkę z kolcami należy przestawić w miejsce pracy.
- Aby ograniczyć ryzyko urazów spowodowanych utratą kontroli, szczotkę z kolcami należy trzymać i prowadzić pod niewielkim kątem. Jeśli szczotka z kolcami będzie trzymana pod zbyt stromym kątem, wówczas będzie ona miała tendencję do odskakiwania w tył w kierunku operatora.

Przed każdym użyciem należy sprawdzić, czy jakiegó części nie są uszkodzone/zużyte

Skontrolować wałek ze szczotką, osłonę, przedni uchwyt pomocniczy i ós napędzającą oraz wymienić części pęknięte, wypaczone, skrzywione lub w jakikółw sposób uszkodzone.

Szczotkę z kolcami należy czyścić po każdym użyciu

Instrukcje dotyczące czyszczenia – patrz część zatytułowana Konserwacja.

WŁĄCZANIE/WYŁĄCZANIE NARZĘDZIA

Więcej informacji – patrz część „WŁĄCZANIE/ WYŁĄCZANIE GŁÓWICY UNIWERSALNEJ” w instrukcji do głowicy uniwersalnej PH1400E.

KONSERWACJA

⚠ OSTRZEŻENIE: Podczas serwisowania należy używać wyłącznie części zamiennych identycznych z oryginalnymi. Używanie jakikółw innych części stwarza ryzyko i może spowodować usterkę produktu. Aby zagwarantować bezpieczeństwo i niezawodność, wszystkie naprawy powinny być wykonywane przez wykwalifikowanych techników serwisu.

⚠ OSTRZEŻENIE: Narzędzia akumulatorowe nie wymagają podłączenia do kontaktu elektrycznego i dlatego są zawsze gotowe do pracy. Aby zapobiec poważnym urazom ciała, podczas wykonywania czynności konserwacyjnych, w czasie serwisowania lub wymiany końcówek tnących lub innych należy stosować dodatkowe środki ostrożności.

⚠ OSTRZEŻENIE: Aby uniknąć poważnych urazów, przed serwisowaniem, czyszczeniem, wymianą dodatkowych akcesoriów lub gdy produkt nie jest używany należy wyjąć akumulator z głowicy uniwersalnej i odczekać, aż wałek szczotki zatrzyma się.

KONSERWACJA OGÓLNA

⚠ OSTRZEŻENIE: Nigdy nie należy dopuszczać do zetknięcia się części plastikowych z substancjami takimi jak płyn hamulcowy, benzyna, produkty ropopochodne, oleje penetrujące itp. Substancje chemiczne mogą uszkodzić, osłabić lub zniszczyć plastik i spowodować poważne obrażenia ciała.

⚠ OSTRZEŻENIE: Podczas czyszczenia końcówki szczotki z kolcami, NIE NALEŻY zanurzać jej w wodzie ani innych płynach. Nie należy czyścić urządzenia myjką wysokociśnieniową. Silny strumień wody może uszkodzić części urządzenia.

KONSERWACJA WAŁKA SZCZOTKI

- Wałek szczotki należy często czyścić.
- Jeśli jedno z ostrzy należy wymienić na skutek zużycia, wymień wszystkie cztery ostrza, dla lepszej skuteczności.

Wszystkie czynności serwisowe przy szczotce z kolcami, inne niż wymienione w niniejszej instrukcji konserwacji, powinny być wykonane przez autoryzowany personel serwisowy.

WYMIANA WAŁKÓW ZE SZCZOTKĄ

⚠ OSTRZEŻENIE: Po długotrwałym użytkowaniu, uszkodzony wałek ze szczotką może rozpaść się na kawałki, które mogą stanowić zagrożenie. Wyrzucone przedmioty mogą spowodować poważne obrażenia. Należy regularnie kontrolować szczotkę i nie używać szczotki ze zużytymi lub uszkodzonymi częściami.

Wymowianie (Rys. L)

1. Wyjąć zawleczkę znajdującą się na końcu ósi napędzającej.
2. Zdjąć wałek ze szczotką oraz pokrywę z ósi napędzającej.
3. Jeśli ós napędzająca jest uszkodzona, wyjąć sworzeń blokujący z otworu i pociągnąć ós napędzającą tak, aby ją zdjąć z wałka napędowego (Rys. M).
4. Jeśli pokrywa jest uszkodzona, należy ją zdjąć wraz z wałkiem ze szczotką i wymienić.
5. Aby zdjąć drugi wałek ze szczotką, należy wykonać te same kroki.

Rys. L – opis części patrz poniżej:

L-1	Walek napędowy	L-4	Zawlecza sprężynowa
L-2	Sworzeń blokujący	L-5	Pokrywa
L-3	Walek ze szczotką	L-6	Oś napędzająca

Instalacja

1. Zainstalować oś napędzającą na walek napędowym i włożyć sworzeń blokujący w otwór w osi napędzającej (patrz Rys. F).
2. Założyć pokrywę na walek ze szczotką z żebrami na pokrywie dopasowaną do otworu na walek ze szczotką (Rys. N).

Rys. N – opis części patrz poniżej:

N-1	Otwór
N-2	Żebro

3. Wcisnąć walek ze szczotką na oś napędzającą (patrz Rys. G).
4. Włożyć zawleczkę sprężynową w otwór na końcu osi napędzającej i złożyć ją na płasko.
5. Wykonać te same kroki, aby zamontować drugi walek ze szczotką.

⚠ OSTRZEŻENIE: Należy zawsze wymieniać oba walce jednocześnie.

CZYSZCZENIE URZĄDZENIA

- Wyjąć akumulator.
- Z wałków ze szczotką, osłony lub przekładni usunąć kawałki korzeni, zapchaną ziemię lub rośliny. W celu dokładniejszego wyczyszczenia zdjąć walce ze szczotką i osłony i dokładnie je umyć. Szczegółowy opis ponownej instalacji podano w części „WYMIANA WAŁKÓW ZE SZCZOTKĄ”.
- Należy dbać o to, aby otwory wentylacyjne były drożne

PRZECHOWYWANIE URZĄDZENIA

- Wyjąć akumulator z narzędzia.
- Dokładnie wyczyścić narzędzie i skontrolować walce ze szczotką.
- Zdjąć końcówkę-szczotkę z kołcami z głowicy i założyć zaślepkę na walek końcówki, aby zapobiec dostaniu się brudu do sprężni.

- Narzędzie należy przechowywać w suchym i przewiewnym miejscu niedostępnym dla dzieci: albo pod kluczem, albo wystarczająco wysoko. Urządzenia nie należy używać na nawozach lub w ich pobliżu, to samo dotyczy podłoży zanieczyszczonych benzyną i substancjami chemicznymi.

Ochrona środowiska



Urządzeń elektrycznych, ładowarki do akumulatorów oraz akumulatorów/baterii akumulatorowych nie należy wyrzucać do zwykłych zmieszanych śmieci domowych! Zgodnie z dyrektywami Wspólnoty Europejskiej, odpowiednio nr 2012/19/UE i 2006/66/WE, urządzenia elektryczne i elektroniczne nienadające się dłużej do użycia oraz uszkodzone lub zużyte akumulatory/baterie trzeba zbierać oddzielnie. Wyrzucanie urządzeń elektrycznych na wysypisko grozi wyciekami niebezpiecznych substancji do wód gruntowych i przedostaniem się ich do łańcucha pokarmowego, ze szkodą dla zdrowia i jakości życia użytkownika.

ROZWIĄZYWANIE PROBLEMÓW

PROBLEM	PRZYCZYNA	ROZWIĄZANIE
Szczotka z kolcami nie włącza się.	<ul style="list-style-type: none"> ■ Akumulator nie jest poprawnie podłączony do głowicy. ■ Głowica uniwersalna i akumulator nie kontaktują. ■ Akumulator jest rozładowany. ■ Dźwignia odblokowująca i przełącznik spustowy głowicy uniwersalnej nie zostały wciśnięte jednocześnie. ■ Narzędzie nadal nie włącza się z powodów innych niż wymienione. 	<ul style="list-style-type: none"> ■ Włożyć akumulator do głowicy. ■ Wyjąć akumulator, sprawdzić styki i założyć akumulator z powrotem do oporu. ■ Naładować akumulator jedną z ładowarek EGO podanych w niniejszym podręczniku. ■ Aby włączyć narzędzie, wcisnąć i przytrzymać dźwignię odblokowującą, a następnie nacisnąć spust. ■ Skontaktować się z punktem obsługi klienta EGO.
Szczotka z kolcami jest w widoczny sposób uszkodzona.	<ul style="list-style-type: none"> ■ Uszkodzenie w czasie transportu i użytkowania. 	<ul style="list-style-type: none"> ■ Skontaktować się z punktem obsługi klienta EGO.
Szczotka z kolcami zatrzymuje się w czasie szczotkowania.	<ul style="list-style-type: none"> ■ Silnik jest przeciążony. ■ Akumulator lub głowica są zbyt gorące. ■ Akumulator jest odłączony od narzędzia. ■ Akumulator jest rozładowany. ■ Narzędzie nadal nie włącza się z powodów innych niż wymienione. 	<ul style="list-style-type: none"> ■ Gdy tylko obciążenie zostanie usunięte, silnik wznowi pracę. Do pracy ciąglej należy zmniejszyć obciążenie szczotki z kolcami. ■ Pozwolić, aby akumulator lub głowica ostygły do temperatury poniżej 67°C. ■ Ponownie założyć akumulator. ■ Naładować akumulator jedną z ładowarek EGO podanych w niniejszym podręczniku. ■ Skontaktować się z punktem obsługi klienta EGO.

PL

GWARANCJA

POLITYKA GWARANCYJNA EGO

W celu zapoznania się z wszystkimi warunkami polityki gwarancyjnej EGO prosimy odwiedzić stronę egopowerplus.com.

PŘEČTĚTE SI VŠECHNY POKYNY!



PŘEČTĚTE SI NÁVOD K OBSLUZE

⚠ Zbytkové riziko! Lidé s elektronickými přístroji, jako jsou např. kardiostimulátory, by se měli před použitím toho výrobku poradit se svým lékařem. Použití elektrického zařízení v těsné blízkosti kardiostimulátoru může způsobit narušení činnosti nebo poruchu kardiostimulátoru.

⚠ VAROVÁNÍ: Z důvodu bezpečnosti by měl všechny opravy a výměny provádět kvalifikovaný servisní technik.

SYMBOL IP

Účelem bezpečnostních symbolů je upoutat vaši pozornost k případným nebezpečím. Bezpečnostní symboly a jejich vysvětlení vyžadují vaši zvýšenou pozornost a porozumění. Výstražné symboly samy o sobě nevylučují žádné nebezpečí. Pokyny a varování nejsou náhradou vhodných opatření pro prevenci úrazů.

CZ

⚠ VAROVÁNÍ: Před použitím tohoto nástroje si přečtěte a seznámte se se všemi bezpečnostními pokyny v tomto návodu k obsluze včetně veškerých výstražných symbolů jako např. „NEBEZPEČÍ“, „VAROVÁNÍ“ a „UPOZORNĚNÍ“. Nedodržení níže uvedených pokynů může mít za následek úraz elektrickým proudem, požár anebo vážná poranění osob.

VÝZNAM SYMBOLŮ

BEZPEČNOSTNÍ VÝSTRAŽNÉ SYMBOLY: Označují **NEBEZPEČÍ**, **VAROVÁNÍ**, **NEBO UPOZORNĚNÍ** a mohou se použít ve spojení s dalšími symboly nebo piktogramy.



⚠ VAROVÁNÍ: Při použití elektrického nářadí může dojít k vymrštění cizích těles do očí, což může způsobit jejich závažné poškození. Před použitím elektrického nářadí si vždy nasadte ochranné brýle, ochranné brýle s bočními kryty nebo v případě potřeby obličejový štít. Na brýle nebo standardní ochranné brýle s bočními kryty doporučujeme použít ochrannou masku.

BEZPEČNOSTNÍ POKYNY

Na této stránce jsou zobrazeny a popsány bezpečnostní symboly, které se mohou objevit na výrobku. Před montáží a provozem si přečtěte, seznámte se a dodržujte veškeré pokyny ke stroji.

	Bezpečnostní upozornění	Upozorňuje na možné nebezpečí úrazu.
	Přečtěte si návod k obsluze	Z důvodu snížení nebezpečí úrazu si musí uživatel před použitím tohoto výrobku přečíst návod k obsluze a porozumět mu.
	Používejte ochranu očí	Při použití tohoto výrobku vždy používejte ochranné brýle, ochranné brýle s bočními kryty nebo obličejový štít.
	Udržujte ostatní osoby v bezpečné vzdálenosti.	Udržujte kolemjdoucí osoby v bezpečné vzdálenosti
	Používejte ochranné rukavice	Při manipulaci s čepeli chráňte své ruce rukavicemi. Odolné protiskluzové rukavice zlepšují váš úchop a chrání ruce.
	Používejte ochrannou obuv	Při použití tohoto zařízení noste protiskluzovou ochrannou obuv.
	Odras	Odhrožené objekty se mohou odrazit a mít za následek zranění osob nebo poškození majetku.
	Nevystavujte dešti.	Nepoužívejte v dešti ani nenechávejte venku na dešti.
	CE	Tento výrobek je v souladu s platnými směrnici ES.
	WEEE	Odpadní elektrické výrobky se nesmí likvidovat s domovním odpadem. Odevzdejte je do autorizovaného recyklačního střediska.
	Hlučnost	Garantovaná hladina akustického výkonu. Emise hluku do prostředí dle směrnice Evropského společenství
V	Volt	Napětí
mm	Milimetr	Délka nebo velikost
kg	Kilogram	Hmotnost

OBECNÁ BEZPEČNOSTNÍ VAROVÁNÍ PRO PRÁCI S ELEKTRICKÝM NÁŘADÍM

⚠ VAROVÁNÍ: Prostudujte si všechny bezpečnostní výstrahy, pokyny, ilustrace a technické údaje dodané s tímto elektrickým nářadím. Nedodržení všech níže uvedených pokynů může mít za následek úraz elektrickým proudem, požár a/nebo vážný úraz.

Všechna varování a pokyny si uschovejte pro budoucí použití.

BEZPEČNOST NA PRACOVIŠTI

- **Udržujte pracovní prostor v čistotě a dobře osvětlený.** Nepořádek nebo neosvětlené pracoviště mohou vést k úrazům.
- **Nepracujte s elektrickým nářadím ve výbušném prostředí, například v přítomnosti hořlavých kapalin, plynů nebo prachu.** Elektrické nářadí je zdrojem jiskření, které může zapálit prach nebo výpary.
- **Při práci s elektrickým nářadím udržujte děti a přihlížející osoby v bezpečné vzdálenosti.** Při rozptýlení můžete ztratit kontrolu nad zařízením.

ELEKTRICKÁ BEZPEČNOST

- **Nevystavujte elektrické nářadí dešti nebo vlhkému prostředí.** Vniknutí vody do elektrického nářadí zvyšuje riziko úrazu elektrickým proudem.

BEZPEČNOST OSOB

- **Při práci s elektrickým nářadím buďte pozorní, sledujte, co děláte a používejte zdravý rozum.** Nepoužívejte elektrické nářadí, jste-li unaveni nebo pod vlivem drog, alkoholu nebo léků. Chvilka nepozornosti při práci s nářadím může vést k vážnému zranění.
- **Vždy používejte osobní ochranné prostředky.** Osobní ochranné prostředky, jako např. ochrana očí, respirátor, protiskluzová ochranná obuv, pevná přilba a/ nebo chrániče sluchu, používané ve vhodném prostředí snižují riziko úrazu.
- **Zabraňte náhodnému spuštění.** Před připojením ke zdroji napětí a/nebo akumulátoru, zvednutím nebo přenášením nářadí se ujistěte, že spínač je ve vypnuté poloze. Přenášení elektrického nářadí s prstem na spínači nebo zapojování elektrického nářadí, které má zapnutý spínač, může snadno způsobit nehodu či úraz.
- **Před zapnutím elektrického nářadí odstraňte seřizovací klíče nebo klíče.** Nástroj nebo klíč, který ponecháte upevněný k otáčející se části elektrického nářadí, může způsobit zranění osob.

- **Nepřeceňujte se.** Vždy udržujte pevný postoj a rovnováhu. To umožňuje lepší ovladatelnost nářadí v neočekávaných situacích.
- **Řádně se oblékejte.** Nenoste volný oděv ani šperky. Udržujte své vlasy, oblečení a rukavice mimo dosah pohyblivých dílů. Volný oděv, šperky nebo dlouhé vlasy se mohou zachytit do pohyblivých dílů.
- **Pokud je zařízení vybaveno adaptérem pro připojení odsávání prachu a sběrnými zařízeními, zajistěte jejich správné připojení a řádnou funkci.** Použití zařízení k odsávání prachu může snížit rizika spojená s prachem.
- **Nedovoľte, abyste se po získání zkušeností častým používáním nářadí stali neobezřetnými a ignorovali zásady bezpečnosti.** Nedbalá činnost může způsobit vážné zranění ve zlomku sekundy.

POUŽITÍ A PÉČE O ELEKTRICKÉ NÁŘADÍ

- **Nepřetěžujte elektrické nářadí.** Používejte správný typ nářadí pro vaši aplikaci. Správné elektrické nářadí bude pracovat lépe a bezpečněji rychleji, pro kterou bylo navrženo.
- **Nepoužívejte elektrické nářadí, pokud ho spínač nezapne a nevypne.** Jakékoliv elektrické nářadí, které nelze ovládat spínačem, je nebezpečné a musí být opraveno.
- **Před odstraňováním uvízlého materiálu, před prováděním jakéhokoliv nastavení, výměnou příslušenství, čištěním nebo uložením elektrického nářadí vyjměte akumulátor, pokud je vyjímatelný, a/nebo aktivujte zámek blokující nářadí.** Tato preventivní bezpečnostní opatření snižují riziko náhodného spuštění elektrického nářadí.
- **Ukládejte elektrické nářadí mimo dosah dětí a nedovoľte ostatním osobám, které nejsou seznámeny s elektrickým nářadím nebo s tímto návodem, aby s nářadím pracovaly.** Elektrické nářadí je nebezpečné v rukou nekalifikované obsluhy.
- **Udržujte elektrické nářadí a příslušenství.** Zkontrolujte vychýlení či zaseknutí pohyblivých částí, poškození jednotlivých dílů a jiné okolnosti, které mohou ovlivnit chod nářadí. Je-li nářadí poškozeno, nechejte ho před použitím opravit. Mnoho nehod je způsobeno nedostatečnou údržbou nářadí a příslušenství.
- **Udržujte řezné nástroje ostré a čisté.** Řádně udržované řezné nástroje s ostrými břity jsou méně náchylné k zanášení nečistotami a lépe se ovládají.

GZ

- **Používejte elektrické nářadí, příslušenství a nástrojové bity atd. v souladu s těmito pokyny s přihlednutím k pracovním podmínkám a práci, která má být provedena.** Použití elektrického nářadí pro jiné činnosti, než je použití podle určení, může vést k nebezpečným situacím.
- **Udržujte rukojeti a plochy pro uchopení suché, čisté, bez oleje a maziva.** Kluzké rukojeti a plochy pro uchopení neumožňují bezpečnou manipulaci s nářadím a jeho ovládání v nečekaných situacích.

POUŽITÍ A PÉČE O AKUMULÁTOROVÉ NÁŘADÍ

- **Nabíjejte pouze v nabíječce určené výrobcem.** Nabíječka vhodná pro jeden typ akumulátoru může způsobit riziko požáru při použití s jiným akumulátorem.
- **Používejte elektrické nářadí pouze s výslovně určenými akumulátory.** Použití jiných akumulátorů může způsobit riziko úrazu a požáru.
- **Pokud akumulátor nepoužíváte, držte jej z dosahu kovových předmětů, jako jsou kancelářské sponky na papír, mince, klíče, hřebíky, šrouby nebo další drobné kovové předměty, které mohou propojit kontakty baterie.** Zkratování kontaktů baterie může způsobit popáleniny nebo požár.
- **Za nevhodných podmínek může kapalina unikat z baterie. Zabraňte kontaktu. Při náhodném kontaktu opláchněte vodou. Při zasažení očí kapalinou vyhledejte lékařskou pomoc.** Unikající kapalina z akumulátoru může způsobit podráždění pokožky nebo popáleniny.
- **Nepoužívejte akumulátor nebo nářadí, které jsou poškozené nebo upravené.** Poškozené nebo upravené baterie se mohou chovat nepředvídatelně, což může vést k požáru, výbuchu nebo nebezpečí zranění.
- **Nevystavujte akumulátor ani nářadí ohni nebo příliš vysoké teplotě.** Při vystavení ohni nebo teplotě nad 100 °C může dojít k výbuchu.
- **Dodržujte všechny pokyny pro nabíjení a nenabíjejte akumulátor nebo nářadí mimo rozsah teplot uvedených v pokynech.** Nesprávné nabíjení nebo nabíjení při teplotách mimo stanovený rozsah může poškodit akumulátor a zvýšit riziko požáru.

DALŠÍ BEZPEČNOSTNÍ VAROVÁNÍ

Školení

- Pečlivě si přečtěte tyto pokyny. Seznamte se s ovládacími prvky a správným používáním stroje.
- Osoby, které se neseznámily s těmito pokyny, nebo děti nesmí stroj používat. Místní předpisy mohou omezovat věk obsluhy.

- Nikdy nepracujte, pokud jsou v blízkosti osoby, zejména děti, nebo domácí zvířata.
- Nezapomínejte, že je obsluha nebo uživatel zodpovědný za nehody nebo ohrožení jiných osob nebo jejich majetku.

Příprava

- Během práce vždy noste pevnou obuv a dlouhé kalhoty. Nepoužívejte nářadí, když jste bosí nebo máte na nohou otevřené sandály.
- Důkladně zkontrolujte oblast, kde se má nářadí používat, a odstraňte všechny předměty, které mohou být odhozeny strojem.
- Před použitím vždy vizuálně zkontrolujte, zda nejsou nástroje opotřebované nebo poškozené. Opotřebované nebo poškozené prvky a šrouby vyměňujte v sadách z důvodu zachování vyvážení.

Použití

- Neprovoďte motor v uzavřeném prostoru, kde mohou vznikat nebezpečné výpary oxidu uhelnatého.
- Pracujte pouze za denního světla nebo při dobrém umělém osvětlení.
- Ve svahu vždy dbejte na pevný postoj.
- Kráčejte, nikdy se strojem neběhejte.
- S kolovými rotačními stroji pracujte napříč svahem, nikdy nahoru a dolů.
- Při změně směru na svahu dbejte zvýšené opatrnosti.
- Nepracujte na příliš prudkých svazích.
- Dbejte zvýšené opatrnosti při jízdě vzad, nebo tažení stroje směrem k vám.
- Neměňte nastavení regulátoru motoru ani nepřekračujte otáčky motoru.
- Startujte motor opatrně podle pokynů výrobce a s nohama daleko od nářadí.
- Nestrkejte ruce ani nohy do blízkosti rotujících dílů nebo pod ně.
- Během chodu motoru nikdy nezvedejte ani nepřepínávejte stroj.

POUŽITÍ NA SVAHU:

Svahy jsou hlavním faktorem souvisejícím s nehodami při uklouznutí a pádu, což může vést k vážnému úrazu. Ve svahu vždy dbejte na pevný postoj. Použití na svazích vyžaduje zvýšenou opatrnost. Pokud se na svahu cítíte nejistí, nepoužívejte stroj.

- Dávejte pozor na díry, vyjeté koleje, kameny, skryté předměty nebo hrboly, na kterých můžete uklouznout nebo klopýtnout. Ve vysoké trávě se mohou skrývat překážky.

SERVIS

- **Svěřte opravu elektrického nářadí kvalifikované osobě používající pouze shodné náhradní díly.** Tím zajistíte bezpečnost udržovaného elektrického nářadí.
- **Nikdy neopravujte poškozené akumulátory.** Servis akumulátorů může provádět pouze výrobce nebo autorizovaní poskytovatelé služeb.

⚠ VAROVÁNÍ: Prostudujte si všechny bezpečnostní výstrahy, pokyny, ilustrace a technické údaje dodané s tímto elektrickým nářadím. Nedodržení všech níže uvedených pokynů může mít za následek úraz elektrickým proudem, požár a/nebo vážný úraz. Všechna varování a pokyny si uschovejte pro budoucí použití.

- Používejte pouze akumulátory a nabíječky uvedené na obr. A.

ULOŽTE SI TYTO POKYNY

SPECIFIKACE

Průměr bubnu kartáče	250mm	
Šířka záběru při čištění	560mm	
Doporučená provozní teplota	-15°C -40°C	
Doporučená teplota skladování	-20°C-70°C	
Hmotnost (včetně krytu)	5,05 kg	
Měřená hladina akustického výkonu L_{WA}	91,4 dB(A) K=2,02 dB(A)	
Měřená hladina akustického výkonu L_{PA}	82,8 dB(A) K=2,5 dB(A)	
Zaručená hladina akustického výkonu L_{WA} (měřená podle 2000/14/ES)	93 dB(A)	
Hodnota vibrací a_h	Přední pomocná rukojeť	0,46 m/s ² K= 1,5 m/s ²
	Zadní rukojeť	1,43 m/s ² K= 1,5 m/s ²

- Výše uvedené parametry jsou testovány a měřeny s nářadím vybaveným pohonnou hlavou PH1400E.
- Celková deklarovaná hodnota vibrací byla naměřena podle standardní zkušební metody a lze ji použít ke srovnání s jiným nářadím;
- Celkovou deklarovanou hodnotu vibrací lze použít také k předběžnému stanovení expozičních limitů.

POZNÁMKA: Emise vibrací při konkrétním použití elektrického nářadí se mohou lišit od deklarované hodnoty, při které se nářadí používá; z důvodu ochrany provozovatele by měl uživatel ve skutečných pracovních podmínkách nosit rukavice a chrániče sluchu.

OBSAH BALENÍ

NÁZEV DÍLU	MNOŽSTVÍ
Nástavec pro kultivátor	1
Válec kartáče	2
Hnací náprava	2
Kryt (se šroubem)	1
Inbusový klíč	1
Upevňovací kolík	2
Pojistný kolík	2
Návod k obsluze	1

POPIS

SEZNAMTE SE S NÁSTAVCEM PRO KULTIVÁTOR (obr. A)

1. Koncovka
2. Hřídel nástavce pro kultivátor
3. Kryt
4. Válec kartáče
5. Převodovka
6. Upevňovací kolík
7. Inbusový klíč

MONTÁŽ

⚠ VAROVÁNÍ: Pokud jsou některé díly poškozené, nebo chybí, výrobek nepoužívejte, dokud nedojde k jejich výměně. Použití tohoto výrobku s poškozenými nebo chybějícími díly může vést k vážnému úrazu.

⚠ VAROVÁNÍ: Nepokoušejte se výrobek upravovat ani vytvářet příslušenství, které se k tomuto výrobku nedoporučuje. Každá taková změna nebo úprava představuje špatné použití a může vést k nebezpečné situaci, která může zapříčinit vážný úraz.

⚠ VAROVÁNÍ: Pokud provádíte montáž dílů, vždy odpojte konektor akumulátoru ze zásuvky, aby nedošlo k neúmyslnému spuštění, které může způsobit vážný úraz.

⚠ VAROVÁNÍ: Nepřipojujte rotační kartáč k pohonné hlavě před dokončením montáže. Nedodržení tohoto pokynu může vést k náhodnému spuštění a možnému vážnému zranění.

GZ

MONTÁŽ KRYTU

VAROVÁNÍ: Namontujte kryt před připojením nástavce pro kultivátor k pohonné hlavě.

1. Povolte a odstraňte šroub z krytu pomocí inbusového klíče (obr. B).
2. Zvedněte hřídel nástavce pro kultivátor a odstraňte koncovku z hřídele.
3. Vyrovnajte drážku v krytu s kovovým výstupkem na konci hřídele, nasuňte kryt na hřídel, dokud nejsou vyrovnány otvory pro šrouby v krytu a na hřídeli (obr. C a D).

Popis dílů na obr. C a D viz níže:

C-1	Drážka
C-2	Výstupek
D-1	Šroub

4. Pro utažení šroubu ve směru hodinových ručiček použijte dodaný inbusový klíč, abyste bezpečně zajistili kryt.

MONTÁŽ VÁLCŮ KARTÁČE

1. Zatlačte hnací nápravu na hnanou hřídel (obr. E).

Popis dílů na obr. E viz níže:

E-1	Hnaná hřídel
E-2	Hnací náprava

2. Pro upevnění hnací nápravy na hnanou hřídel zasuňte pojistný kolík do zajišťovacího otvoru.

POZNÁMKA: Pojistný kolík musí být nainstalován na místě (obr. F).

Popis dílů na obr. F viz níže:

F-1	Pojistný kolík
F-2	Zajišťovací otvor

3. Stejným způsobem namontujte druhou hnací nápravu.
4. Zatlačte válec kartáče na hnací nápravu (obr. G).

Popis dílů na obr. G viz níže:

G-1	Válec kartáče
G-2	Hnací náprava

5. Pro zajištění válce kartáče na hnací nápravu zasuňte upevňovací kolík do otvoru na konci (obr. H).

Popis dílů na obr. H viz níže:

H-1	Upevňovací kolík
-----	------------------

6. Stejným způsobem namontujte druhý válec kartáče.

PŘIPOJENÍ NÁSTAVCE PRO KULTIVÁTOR NA POHONNOU HLAVU

VAROVÁNÍ: Nikdy nepřipojujte nebo neupravujte nástavec, když pohonná hlava běží nebo je nainstalovaná baterie. Pokud nevypnete motor a nevyjmete baterii, může dojít k vážnému zranění.

Tento nástavec pro kultivátor je určen pro použití s pohonnou hlavou EGO PH1400E

1. Zastavte motor a vyjměte akumulátor
2. Uvolněte křídlovou matici na spojení pohonné hlavy.
3. Pokud je koncovka umístěna na hřídeli nástavce, sejměte ji a uložte na bezpečném místě pro pozdější použití.

Vyrovnajte šipku na hřídeli rotačního kartáče se šipkou na spojení (obr. I) a zasuňte hřídel rotačního kartáče do spojky, dokud neuslyšíte zřetelný zvuk „KLIKNUŤI“ (obr. J).

Popis dílů na obr. I viz níže:

I-1	Tlačítko pro uvolnění hřídele
I-2	Šipka na spojení
I-3	Křídlová matice
I-4	Šipka na hřídeli nástavce
I-5	Červená čára

Popis dílů na obr. J viz níže:

J-1	Červená čára
-----	--------------

4. Lehce povytáhněte hřídel nástavce pro kultivátor, abyste ověřili, že je bezpečně zajištěna ve spojení. Pokud není, pohybujte hřídelí rotačního kartáče ve spojení dopředu a dozadu, dokud neuslyšíte zřetelný zvuk „KLIKNUŤI“, který znamená, že je zapojena.
5. Pevně utáhněte křídlovou matici.

VAROVÁNÍ: Před uvedením zařízení do provozu se ujistěte, že je pevně utažena křídlová matice na spojení; během používání pravidelně kontrolujte její dotažení, aby nedošlo k vážnému zranění.

SEJMUTÍ NÁSTAVCE PRO KULTIVÁTOR Z POHONNÉ HLAVY

1. Vypněte motor a sejměte akumulátor.
2. Uvolněte křídlovou matici.
3. Se stisknutým tlačítkem pro uvolnění hřídele vytáhněte nebo vykrutíte hřídel nástavce pro kultivátor ze spojky a sejměte ji z pohonné hlavy.

POUŽITÍ

VAROVÁNÍ: Dbejte na to, abyste po seznámení s výrobkem nepřestali být opatrní. Nezapomínejte, že stačí chvíle nepozornosti a může se stát vážný úraz.

VAROVÁNÍ: Vždy používejte ochranu zraku spolu s chrániči sluchu. Pokud tak neučiníte, může dojít k vymřštění předmětu do očí, nebo případně jiným vážným úrazům.

VAROVÁNÍ: Nepoužívejte nástavce nebo příslušenství, které nedoporučuje výrobce tohoto výrobku. Použití nedoporučených nástavců a příslušenství může vést k vážnému úrazu.

POUŽITÍ

Tento výrobek lze použít k následujícím účelům:

- Čištění ploch a cest včetně nerovných a spárovaných povrchů.
- Čištění vozovek / betonových / asfaltových příjezdových cest, chodníků a dvorů.

VAROVÁNÍ: Při práci s tímto nářadím se vhodně oblékněte, abyste snížili nebezpečí úrazu. Nenoste volný oděv ani šperky. Používejte ochranu očí. Noste silné, dlouhé kalhoty, pevné boty a rukavice. Nenoste krátké kalhoty, sandály ani nechoďte bosí.

Pokud je povrch, který má být čistěn, suchý, postříkejte jej vodou, abyste snížili množství vytvářeného prachu.

Měli byste pracovat s rotačním kartáčem směrem dopředu.

Držte rotační kartáč jednou rukou za zadní rukojeť a druhou rukou za přední pomocnou rukojeť. Při práci s rotačním kartáčem udržujte pevný úchop oběma rukama.

Držte a vedte rotační kartáč pod mírným úhlem. Pokud držíte rotační kartáč v příliš prudkém úhlu, má sklon tlačit zpět směrem k obsluze.

Udržujte sevření a rovnováhu na obou nohách (obr. K).

Odhozené materiály mohou vážně zranit obsluhu nebo kolemjdoucího. Abyste snížili nebezpečí zranění osob, je nutné přijmout následující opatření:

- Při provozu vždy držte rotační kartáč oběma rukama. Pevně uchopte obě rukojeti.
- Před spuštěním přesuňte rotační kartáč do pracovního prostoru a nastartujte rotační kartáč při nižší rychlosti.
- Pokud chcete snížit nebezpečí zranění v důsledku ztráty kontroly, držte a vedte rotační kartáč pod mírným úhlem. Pokud držíte rotační kartáč v příliš prudkém úhlu, má sklon tlačit zpět směrem k obsluze.

Před každým použitím zkontrolujte poškozené / opotřebené díly

Zkontrolujte válec kartáče, kryt, přední pomocnou rukojeť a hnací nápravu a vyměňte díly, které jsou prasklé, zdeformované, ohnuté nebo jinak poškozené.

Vyčistěte rotační kartáč po každém použití

Pokyny k čištění viz část Údržba.

ZAPNUTÍ/VYPNUTÍ NÁŘADÍ

Viz část „ZAPNUTÍ/VYPNUTÍ POHONNÉ HLAVY“ v návodu k obsluze pohonné hlavy PH1400E

ÚDRŽBA

VAROVÁNÍ: Při opravách používejte pouze originální náhradní díly. Použití jiných dílů může být riziko nebo může způsobit poškození výrobku. Z důvodu zajištění bezpečnosti a spolehlivosti musí všechny opravy provádět kvalifikovaný servisní technik.

VAROVÁNÍ: Akumulátorové nářadí se nemusí zapojovat do elektrické zásuvky, proto je vždy v provozním stavu. Aby nedošlo k vážnému zranění osob, věnujte zvýšenou pozornost a péči údržbě, servisu nebo výměně řezného příslušenství nebo jiného nástavce.

VAROVÁNÍ: Aby nedošlo k vážnému zranění osob, před údržbou, čištěním, výměnou příslušenství, nebo když se výrobek nepoužívá, vyjměte akumulátor z pohonné hlavy a počekejte, až se válec kartáče zastaví.

CELKOVÁ ÚDRŽBA

VAROVÁNÍ: Dbejte na to, aby nikdy nedošlo ke styku plastových částí s brzdovými kapalinami, benzinem, ropnými produkty, penetračními oleji atd. Chemické látky mohou poškodit, zeslabit nebo poškodit plast, což může vést k vážnému úrazu.

VAROVÁNÍ: Při čištění NEPONOŘUJTE nástavec pro kultivátor do vody ani jiných kapalin. Nečistěte stroj tlakovou myčkou. Silný proud vody může poškodit části stroje.

ÚDRŽBA VÁLCE KARTÁČE

- Pravidelně čistěte válec kartáče.
- Pokud některý válec kartáče vyžaduje výměnu v důsledku poškození, vyměňte oba válce kartáče najednou pro zaručení nejlepšího výkonu.

Veškeré opravy rotačního kartáče, kromě položek uvedených v tomto návodu k údržbě, může provádět pouze kvalifikovaný servisní technik.

VÝMĚNA VÁLCŮ KARTÁČE

VAROVÁNÍ: Po dlouhodobém používání se může poškozený válec kartáče rozbit na kousky, čímž mohou vzniknout nebezpečné projektily. Odmrštěné předměty mohou způsobit vážný úraz. Pravidelně kontrolujte a nepoužívejte rotační kartáč s opotřebovanými nebo poškozenými díly.

Demontáž (Obr. L)

1. Odmontujte upevňovací kolík z konce hnací nápravy.
2. Vytáhněte z hnací nápravy válec kartáče společně s krycí deskou.
3. Pokud je hnací náprava poškozená, odstraňte pojistný kolík z otvoru hnací nápravy a vytáhněte hnací nápravu z hnané hřídele (obr. M).
4. Pokud je krycí deska poškozená, vytáhněte ji z válce kartáče a vyměňte ji.
5. Stejným způsobem odmontujte druhý válec kartáče.

Popis dílů na obr. L viz níže:

L-1	Hnaná hřídel	L-4	Upevňovací kolík
L-2	Pojistný kolík	L-5	Ochranná deska
L-3	Válec kartáče	L-6	Hnací náprava

CZ

Instalace

1. Nasadíte hnací nápravu na hnanou hřídel a zasuňte pojistný kolík do otvoru v hnací nápravě (viz obr. F).
2. Nasadíte krycí desku na válec kartáče tak, aby byl výstupek v krycí desce vyrovnan s otvorem ve válci kartáče (obr. N).

Popis dílů na obr. N viz níže:

N-1	Otvor
N-2	Výstupek

3. Zatlačte válec kartáče na hnací nápravu (viz obr. G).
4. Zasuňte upevňovací kolík do otvoru na konci hnací nápravy a ohněte jej naplocho.
5. Stejným způsobem namontujte druhý válec kartáče.

VAROVÁNÍ: Vždy současně vyměňte oba válce kartáče.

ČIŠTĚNÍ NÁŘADÍ

- Vyjměte akumulátor.
- Odstraňte z válců kartáče, krytu nebo převodovky části kořenu, zanesenou půdu nebo rostliny. Pro důkladné čištění sejměte válce kartáče a kryt a důkladně je umyjte. Podrobné kroky výměny naleznete výše v části „VÝMĚNA VÁLCŮ KARTÁČE“.
- Udržujte větrací otvory bez překážek.

SKLADOVÁNÍ NÁŘADÍ

- Vyjměte akumulátor z nářadí.
- Důkladně očistěte nářadí a zkontrolujte válce kartáče.
- Odmontujte nástavec pro kultivátor z pohonné hlavy a zakryjte hřídel nástavce koncovkou, abyste zabránili pronikání nečistot do spojky.
- Nářadí skladujte na suchém, dobře větraném, uzamčeném nebo vyvýšeném místě mimo dosah dětí. Neskladujte nářadí v blízkosti hnojiv, benzínu nebo jiných chemikálií.

Ochrana životního prostředí



Nelikvidujte elektrické zařízení, nabíječku a baterie / nabíjecí baterie v domovním odpadu! Podle směrnice Evropského parlamentu a Rady 2012/19/EU se musí již nepoužitelná odpadní elektrická a elektronická zařízení shromažďovat odděleně a podle směrnice 2006/66/ES musí být vadné nebo použité akumulátory / baterie shromažďovány odděleně. Pokud se elektrická zařízení likvidují na zavážkách nebo skládkách, mohou do podzemní vody proniknout nebezpečné látky, dostat se do potravního řetězce a poškodit tak vaše zdraví a kvalitu života.

ODSTRAŇOVÁNÍ PORUCH

PROBLÉM	PŘÍČINA	ŘEŠENÍ
Rotační kartáč se nespustí.	<ul style="list-style-type: none"> ■ Akumulátor není správně připojen k pohonné hlavě. ■ Žádný elektrický kontakt mezi pohonnou hlavou a akumulátorem. ■ Akumulátor je vybitý. ■ Páka pojistky a spoušť pohonné hlavy nejsou stisknuté současně. ■ Stále se nespustí i přes výše uvedené důvody. 	<ul style="list-style-type: none"> ■ Připojte akumulátor na pohonnou hlavu. ■ Vyměňte baterii, zkontrolujte kontakty a opět nasadte akumulátor, dokud nezapadne na místo. ■ Nabijte akumulátor pomocí nabíječek EGO, které jsou uvedeny v tomto návodu. ■ Zatlačte jistící páčku a podržte ji, pak stiskněte spoušť pro zapnutí stroje. ■ Kontaktujte zákaznický servis společnosti EGO.
Rotační kartáč je zjevně poškozený.	<ul style="list-style-type: none"> ■ Abnormální poškození během přepravy nebo používání. 	<ul style="list-style-type: none"> ■ Kontaktujte zákaznický servis společnosti EGO.
Rotační kartáč se při čištění zastaví.	<ul style="list-style-type: none"> ■ Motor je přetížený. ■ Akumulátor nebo pohonná hlava jsou příliš horké. ■ Akumulátor je odpojený od nářadí. ■ Akumulátor je vybitý. ■ Stále se nespustí i přes výše uvedené důvody. 	<ul style="list-style-type: none"> ■ Motor se regeneruje po odstranění zátěže. Pro nepřetržitou práci snižte zatížení na rotačním kartáči. ■ Nechejte akumulátor nebo pohonnou hlavu vychladnout, dokud teplota neklesne pod 67 °C. ■ Znovu nainstalujte akumulátor. ■ Nabijte akumulátor pomocí nabíječek EGO, které jsou uvedeny v tomto návodu. ■ Kontaktujte zákaznický servis společnosti EGO.

CZ

ZÁRUKA

ZÁRUKA SPOLEČNOSTI EGO

Úplné záruční podmínky společnosti EGO naleznete na webové stránce egopowerplus.com.

PREČÍTAJTE SI VŠETKY POKYNY!



PREČÍTAJTE SI NÁVOD NA OBSLUHU.

⚠ Zvyškové riziko! Ľudia s elektronickými zariadeniami, napríklad kardiostimulátorom, musia používanie tohto výrobku konzultovať so svojim lekárom. Použitie elektrických zariadení v tesnej blízkosti kardiostimulátora by mohlo spôsobiť rušenie alebo zlyhanie kardiostimulátora.

⚠ VAROVANIE: Pre zaistenie bezpečnosti a spoľahlivosti je nevyhnutné, aby všetky opravy a výmeny vykonával len kvalifikovaný servisný technik.

BEZPEČNOSTNÝ SYMBOL

Účelom bezpečnostných symbolov je upozorniť na možné nebezpečenstvá. Venujte príslušnú pozornosť a pochopte bezpečnostné symboly a ich vysvetlenia. Varovné symboly, samy o sebe, nedokážu eliminovať nebezpečenstvo. Pokyny a varovania, ktoré obsahujú, nie sú náhradou za vhodné opatrenia na prevenciu úrazov.

⚠ VAROVANIE: Pred použitím tohto nástroja si prečítajte a pochopte všetky bezpečnostné pokyny v tomto návode na obsluhu, vrátane všetkých bezpečnostných výstražných symbolov, ako sú „**NEBEZPEČENSTVO**“, „**VAROVANIE**“ a „**UPOZORNENIE**“. Nedodržanie nižšie uvedených pokynov môže mať za následok úraz elektrickým prúdom, požiar a/alebo vážne zranenie.

VÝZNAM SYMBOLU

⚠ BEZPEČNOSTNÝ VÝSTRAŽNÝ SYMBOL: Označuje **NEBEZPEČENSTVO**, **VAROVANIE** ALEBO **UPOZORNENIE** a môže byť použitý v spojení s inými symbolmi alebo piktogramami.



⚠ VAROVANIE: Prevádzka akéhokoľvek elektrického náradia môže viesť k vymršteniu cudzích predmetov do vašich očí, čo môže spôsobiť vážne poškodenie zraku. Predtým, než začnete používať elektrické náradie, si vždy nasadte ochranné okuliare alebo ochranné okuliare s postrannými krytmi a prípadne celotvárový štít. Odporúčame použiť bezpečnostnú masku so širokým prierezom na okuliare alebo štandardné bezpečnostné okuliare s postrannými krytmi.

ktoré sa objavujú na tomto výrobku. Pred pokusom o zostavenie a prevádzkovanie si prečítajte, pochopte a dodržiavajte všetky pokyny na stroji.

	Bezpečnostné upozornenie	Upozorňuje na potenciálne nebezpečenstvo úrazu.
	Prečítajte si návod na obsluhu.	Ak chcete znížiť riziko zranenia, používateľ musí pred použitím tohto výrobku prečítať a pochopiť návod na obsluhu.
	Používajte ochranu zraku.	Pri práci s týmto výrobkom vždy noszte ochranné okuliare alebo ochranné okuliare s postrannými krytmi a celotvárový štít.
	Udržiavajte okolostojace osoby v bezpečnej vzdialenosti	Udržujte okolostojace osoby v bezpečnej vzdialenosti
	Používajte ochranné rukavice.	Chráňte si ruky rukavicami pri manipulácii so štetinami. Pevné a protišmykové rukavice zlepšujú uchopenie a chránia ruky.
	Používajte ochrannú obuv.	Pri používaní tohto zariadenia noszte protišmykovú bezpečnostnú obuv.
	Odraz	Vymrštené objekty sa môžu odraziť a mať za následok zranenie osôb alebo poškodenie majetku.
	Nevystavujte dažďu	Nepoužívajte ani nenechávajte vonku na daždi.
	CE	Tento výrobok je v súlade s platnými smernicami ES.
	WEEE	Odpadové elektrické výrobky sa nesmú likvidovať spolu s domovým odpadom. Odovzdajte do autorizovaného recyklačného strediska.
	Hluk	Garantovaná hladina akustického výkonu. Emisie hluku do prostredia podľa smerice Európskeho spoločenstva.
V	Volt	Napätie
mm	Milimeter	Dĺžka alebo veľkosť
kg	Kilogram	Hmotnosť

BEZPEČNOSTNÉ POKYNY

Táto strana zobrazuje a popisuje bezpečnostné symboly,

VŠEOBECNÉ BEZPEČNOSTNÉ UPOZORNENIA PRE ELEKTRICKÉ NÁRADIE

VAROVANIE: Prečítajte si všetky bezpečnostné výstrahy, pokyny, ilustrácie a technické údaje dodané s týmto elektrickým nástrojom. Nedodržanie nižšie uvedených pokynov môže mať za následok úraz elektrickým prúdom, požiar a/alebo vážne zranenie.

Všetky varovania a pokyny si ponechajte pre prípadnú potrebu v budúcnosti.

BEZPEČNOSŤ PRACOVISKA

- **Udržiavajte pracovisko čisté a dobre osvetlené.** Preplnené alebo tmavé miesta znásobujú riziko nehody.
- **Nepoužívajte elektrické náradie vo výbušnom prostredí, napríklad v prítomnosti horľavých kvapalín, plynov alebo prachu.** Elektrické náradie je zdrojom iskrenia, ktoré môže zapáliť prach alebo výpary.
- **Pri používaní elektrického náradia udržiavajte deti a okolostojace osoby mimo pracoviska.** Rozptyľovanie pozostotí môže viesť ku strate kontroly.

ELEKTRICKÁ BEZPEČNOSŤ

- **Chráňte elektrické náradie pred dažďom a vlhkým prostredím.** Vniknutie vody do elektrického náradia zvyšuje riziko úrazu elektrickým prúdom.

BEZPEČNOSŤ OSÔB

- **Buďte pozorní, sledujte to, čo robíte a používajte zdravý rozum pri práci s elektrickým náradím.** Nepoužívajte elektrické náradie, ak ste unavení alebo pod vplyvom drog, alkoholu alebo liekov. Chvilková nepozornosť pri práci s elektrickým náradím môže mať za následok vážne zranenie.
- **Vždy používajte osobné ochranné prostriedky.** Osobné ochranné prostriedky ako ochrana očí, respirátor, protišmyková bezpečnostná obuv, prilba alebo chrániče sluchu použité za vhodných podmienok znižujú nebezpečenstvo zranenia.
- **Zabráňte neúmyselnému uvedeniu stroja do prevádzky.** Pred pripojením k zdroju napájania a/alebo akumulátoru, pri zdvíhaní alebo prenášaní nástroja sa uistite, že prepínač je vo vypnutej polohe. Prenášanie elektrického náradia s prstom na vypínači alebo aktivácia elektrického náradia, ktoré má zapnutý vypínač, môže viesť k úrazu.
- **Pred spustením náradia vždy odstráňte nastavovací klin alebo kľúč.** Kľúč alebo klin, ktorý necháte pripnutý k otáčajúcej sa časti elektrického náradia, môže spôsobiť zranenie osôb.

- **Nepreceňujte sa.** Pri práci vždy dodržujte správny postoj a rovnováhu. To umožňuje lepšiu ovládateľnosť náradia v nečakaných situáciách.
- **Noste vhodné oblečenie.** Nenoste šperky alebo voľný odev. Udržujte vlasy, oblečenie a rukavice v dostatočnej vzdialenosti od pohybujúcich sa dielov. Voľný odev, šperky alebo dlhé vlasy môžu byť zachytené pohybujúcimi sa dielmi.
- **Pokiaľ je náradie vybavené zariadením na zachytávanie prachu a úlomkov materiálu, skontrolujte, či je k náradu správne pripojené.** Použitie odsávania prachu môže znížiť nebezpečenstvo, ktoré súvisí s prachom.
- **Nedovoľte, aby ste sa po získaní skúseností častým používaním nástrojov stali neobozretnými a ignorovali zásady bezpečnosti.** Nedbalá činnosť môže spôsobiť vážne zranenie za zlomok sekundy.

POUŽITIE ELEKTRICKÉHO NÁRADIA A STAROSTLIVOSŤ

- **Stroj nepreťažujte.** Používajte správny typ náradia určený na danú prácu. Náradie bude pracovať lepšie a bezpečnejšie pri rýchlosti, na ktorú bolo navrhnuté.
- **Nepoužívajte elektrické náradie, ak sa nedá zapnúť a vypnúť použitím vypínača.** Akékoľvek elektrické náradie, ktoré sa nedá ovládať vypínačom je nebezpečné a musí sa opraviť.
- **Pred odstránením zaseknutého materiálu, vykonaním akýchkoľvek úprav, výmenou príslušenstva, čistením alebo skladovaním elektrického náradia odpojte akumulátor z elektrického náradia a/alebo aktivujte akékoľvek zariadenie na odpojenie akumulátora.** Tieto preventívne bezpečnostné opatrenia znižujú riziko náhodného spustenia elektrického náradia.
- **Uchovávajte nepoužívané elektronáradie mimo dosahu detí a nedovoľte, aby osoby neoboznamené s elektrickým náradím alebo s týmito pokynmi náradie používali.** Elektrické náradie je nebezpečné v rukách neskúsených používateľov.
- **Udržujte elektrické náradie a príslušenstvo.** Skontrolujte nastavenie pohyblivých častí, poškodenie dielov a akékoľvek ďalšie okolnosti, ktoré môžu mať vplyv na funkciu elektrického náradia. Ak je elektrické náradie poškodené, nechajte ho pred použitím opraviť. Nedostatočná údržba elektrického náradia a príslušenstva má za následok veľa nehôd.
- **Rezacie nástroje udržiavajte ostré a čisté.** Starostlivo ošetrované rezné nástroje s ostrými čepeľami menej pravdepodobne uviaznu a jednoduchšie sa ovládajú.

SK

- **Používajte elektronáradie, príslušenstvo, násady apod. podľa týchto pokynov a rešpektujte pritom pracovné podmienky a vykonávanú činnosť.**
Použitie elektrického náradia na iné ako určené účely môže viesť k nebezpečným situáciám.
- **Udržujte rukoväte a uchopovacie plochy suché, čisté, bez oleja a maziva.** Klzké držadlá a uchopovacie plochy neumožňujú bezpečnú manipuláciu s nástrojom a jeho ovládanie v nečakaných situáciách.

POUŽÍVANIE A STAROSTLIVOSŤ O NÁRADIE NA AKUMULÁTOR

- **Nabíjajte len pomocou nabíjačky špecifikovanej výrobcom.** Nabíjačka, ktorá je vhodná pre jeden typ akumulátorovej batérie, môže predstavovať pri nabíjaní iného typu akumulátorovej batérie nebezpečenstvo.
- **Používajte elektrické náradie iba s výslovné určenými akumulátormi.** Použitie iných typov akumulátorov môže spôsobiť riziko úrazu a požiaru.
- **Ak sa akumulátor nepoužíva, držte ho mimo iných kovových predmetov, ako sú sponky, mince, kľúče, klince, skrutkovače alebo iné malé kovové predmety, ktoré by mohli navzájom prepojiť kontakty akumulátora.** Skratovanie kontaktov akumulátora môže spôsobiť popáleniny alebo požiar.
- **Za nevhodných podmienok môže z akumulátora uniknúť kvapalina. Zabráňte kontaktu. Pri náhodnom kontakte opláchnite vodou. Pri zasiahnutí očí vyhľadajte lekársku pomoc.** Unikajúca kvapalina z akumulátora môže spôsobiť podráždenie pokožky alebo popáleniny.
- **Nepoužívajte akumulátor alebo nástroj, ktorý je poškodený alebo upravený.** Poškodené alebo upravené akumulátory môžu mať nepredvídateľné chovanie, ktoré môže viesť k požiaru, výbuchu alebo nebezpečenstvu poranenia.
- **Nevystavujte akumulátor ani nástroj ohňu alebo nadmernej teplote.** Pri vystavení ohňu alebo teplote nad 100 ° C môže dôjsť k výbuchu.
- **Dodržujte všetky pokyny pre nabíjanie a nenabíjajte akumulátor alebo nástroj mimo rozsah teplôt uvedených v pokynoch.** Nesprávne nabíjanie alebo nabíjanie pri teplotách mimo stanovený rozsah môže poškodiť akumulátor a zvýšiť riziko požiaru.

ĎALŠIE BEZPEČNOSTNÉ VAROVANIA

Školenie

- Prečítajte si pozorne tieto pokyny. Zoznámte sa s ovládacími prvkami a správnym používaním stroja.

- Nikdy nedovoľte ľuďom, ktorí nie sú oboznámení s týmito pokynmi, alebo deťom používať stroj. Miestne predpisy môžu obmedziť vek prevádzkovateľa.
- Nikdy nepracujte, ak sú v blízkosti osoby, najmä deti, alebo domáce zvieratá.
- Majte na pamäti, že prevádzkovateľ alebo používateľ je zodpovedný za nehody alebo riziká, ktoré vzniknú iným osobám alebo za ujmu na ich majetku.

Príprava

- Počas práce vždy noste pevnú obuv a dlhé nohavice. Nepoužívajte zariadenie, ak ste bosí alebo máte obuté otvorené sandále.
- Dôkladne skontrolujte oblasť, na ktorej má byť zariadenie použité a odstráňte všetky predmety, ktoré môžu byť vymrštené strojom.
- Pred použitím vždy vizuálne skontrolujte, či nástroje nie sú opotrebované alebo poškodené. Opotrebované alebo poškodené prvky a skrutky vymieňajte v súpravách z dôvodu zachovania vyváženia.

Používanie

- Neprevádzkujte motor v uzatvorenom priestore, kde môžu vzniknúť nebezpečné výpary oxidu uhľnatého.
- Pracujte len za denného svetla alebo pri dobrom umelom osvetlení.
- Vždy sa uistite o vašom postoji na svahoch.
- Kráčajte, nikdy so strojom nebehajte.
- S kolesovými rotačnými strojmi pracujte na svahu pozdĺžne, nikdy smerom hore a dole.
- Zvýšte opatrnosť pri zmene smeru na svahu.
- Nepracujte na príliš strmých svahoch.
- Buďte mimoriadne opatrní pri cúvaní alebo ťahaní stroja smerom k sebe.
- Nemeňte nastavenie regulátora motora, alebo neprekračujte otáčky motora.
- Štartujte motor opatrne podľa pokynov výrobcu a s nohami ďaleko od nástroja.
- Nedávajte ruky alebo nohy do blízkosti rotujúcich častí alebo pod nich.
- Nikdy stroj nedvíhajte ani neprenášajte za chodu motora.

PREVÁDZKA NA SVAHU:

Svahy sú hlavným faktorom v súvislosti s pošmyknutím a pádom, ktoré môžu viesť k ťažkým zraneniam. Vždy sa uistite o vašom postoji na svahoch. Použitie kosačky na svahoch vyžaduje zvýšenú pozornosť. Ak sa na svahu necítite dobre, stroj nepoužívajte.

- Dávajte pozor na diery, vyjazdené koľaje, skaly, skryté predmety alebo hrbole, ktoré môžu spôsobiť pošmyknutie alebo zakopnutie. Vysoká tráva môže skrývať prekážky.

SERVIS

- **Náradie zverte do opravy kvalifikovanej osobe, ktorá použije iba originálne náhradné diely.** Zabezpečíte tak zachovanie bezpečnosti elektrického náradia.
- **Nikdy neopravujte poškodené akumulátory.** Servis akumulátorov smie robiť iba výrobca alebo autorizovaní poskytovatelia služieb.

⚠ VAROVANIE: Prečítajte si všetky bezpečnostné výstrahy, pokyny, ilustrácie a technické údaje dodané s týmto elektrickým nástrojom. Nedodržanie nižšie uvedených pokynov môže mať za následok úraz elektrickým prúdom, požiar a/alebo vážne zranenie. Všetky varovania a pokyny si ponechajte pre prípadnú potrebu v budúcnosti.

- Používajte iba s akumulátormi a nabíjačkami, ktoré sú uvedené na obr. A.

ODLOŽTE SI TIETO POKYNY

TECHNICKÉ ÚDAJE

Priemer bubna štetinovej kefy	250mm	
Čistiaci záber	560mm	
Odporúčaná prevádzková teplota	-15°C -40°C	
Odporúčaná skladovacia teplota	-20°C-70°C	
Hmotnosť (vrátane chrániča)	5,05 kg	
Nameraná hladina akustického výkonu L_{WA}	91,4 dB(A) K=2,02 dB(A)	
Hladina akustického tlaku na uši obsluhy L_{PA}	82,8 dB(A) K=2,5 dB(A)	
Garantovaná hladina akustického výkonu L_{WA} (meraná podľa 2000/14/ES)	93 dB(A)	
Ohodnotenie vibrácií a_h	Predná pomocná rukoväť	0,46 m/s ² K= 1,5 m/s ²
	Zadná rukoväť	1,43 m/s ² K= 1,5 m/s ²

- Vyššie uvedené parametre sú testované a merané s nástrojom vybaveným pohonnou hlavou PH1400E.
- Deklarovaná celková hodnota vibrácií bola meraná v súlade so štandardnou skúšobnou metódou a môže sa použiť na vzájomné porovnanie jednotlivých náradí;

- Uvádzaná celková hodnota vibrácie sa môže použiť aj na predbežný odhad expozície.

POZNÁMKA: Emisia vibrácií pri skutočnom používaní náradia sa môže odlišovať od deklarovanej hodnoty, pri akej sa nástroj používa; Za účelom ochrany obsluhy má používateľ v skutočných podmienkach použitia nosiť rukavice a ochranu sluchu.

OBSAH BALENIA

NÁZOV DIELU	MNOŽSTVO
Nástavec pre štetinovú kefu	1
Kefový valec	2
Hnacia náprava	2
Chránič (so skrutkou)	1
Imbusový kľúč	1
Závlačka	2
Poistný čap	2
Návod na obsluhu	1

POPIS

ZOZNÁMTE SA S NÁSTAVCOM PRE ŠTETINOVÚ KEFU (obr. A)

1. Koncovka
2. Hriadeľ nástavca pre štetinovú kefu
3. Ochrana
4. Kefový valec
5. Prevodovka
6. Závlačka
7. Imbusový kľúč

MONTÁŽ

⚠ VAROVANIE: Ak akýkoľvek diel chýba, alebo je poškodený, nepoužívajte tento výrobok, kým nie sú vymenené diely. Ak používate tento výrobok s poškodenými alebo chýbajúcimi časťami, môže dôjsť k vážnemu zraneniu.

⚠ VAROVANIE: Nepokúšajte sa upravovať tento výrobok alebo vytvoriť príslušenstvo, ktoré nie je odporúčané na použitie s týmto strojom. Každá takáto zmena alebo modifikácia sa považuje za zneužitie a môže spôsobiť nebezpečný stav, ktorý vedie k možnému vážnemu zraneniu.

SK

VAROVANIE: Aby sa zabránilo náhodnému spusteniu, ktoré by mohlo viesť k vážnemu zraneniu, vždy pri montáži dielov vytiahnite prípojku akumulátora zo zásuvky.

VAROVANIE: Nepripájajte štetinovú kefu na pohonnú hlavu pred dokončením zmontovania. Nedodržanie tohto pokynu môže viesť k náhodnému štartu a možnému vážnemu poraneniu.

MONTÁŽ CHRÁNIČA

VAROVANIE: Nasadte chránič pred pripojením nástavca pre štetinovú kefu na pohonnú hlavu.

1. Povoľte a odstráňte skrutku z chrániča pomocou imbusového kľúča (obr. B).
2. Zdvihnite hriadeľ nástavca pre štetinovú kefu a odstráňte koncovku z hriadeľa.
3. Keď je štrbina v ochrannom kryte zarovnaná s výstupkom na konci hriadeľa, posuňte ochranný kryt cez hriadeľ, až kým nie sú zarovnané otvory pre skrutky v ochrannom kryte a hriadeli (obr. C a D).

Obr. C a D s popisom dielov:

C-1	Drážka
C-2	Výstupok
D-1	Skrutka

4. Na dotiahnutie skrutky v smere hodinových ručičiek použite dodaný imbusový kľúč, aby ste bezpečne zaistili chránič.

MONTÁŽ KEFOVÝCH VALCOV

1. Hnaciú nápravu zatlačte na pohonný hriadeľ (obr. E).

Obr. E s popisom dielov:

E-1	Pohonný hriadeľ
E-2	Hnaciú náprava

2. Na zaistenie hnacej nápravy na pohonný hriadeľ zasuňte poistný čap do zaisťovacieho otvoru.

POZNÁMKA: Poistný čap musí byť namontovaný na svoje miesto (obr. F).

Obr. F s popisom dielov:

F-1	Poistný čap
F-2	Poistný otvor

3. Rovnakým spôsobom namontujte druhú hnaciú nápravu.
 4. Kefový valec nasuňte na hnaciú nápravu (obr. G).
- Obr. G s popisom dielov:

G-1	Kefový valec
G-2	Hnaciú náprava

5. Zasuňte závlačku do otvoru na konci, aby ste zaistili kefový valec na hnaciú nápravu (obr. H).

Obr. H s popisom dielov:

H-1	Závlačka
-----	----------

6. Rovnakým spôsobom namontujte druhý kefový valec.

PRIPOJENIE NÁSTAVCA PRE ŠTETINOVÚ KEFU NA POHONNÚ HLAVU

VAROVANIE: Nikdy nepripájajte alebo neupravujte nástavec, keď pohonná hlava beží, alebo je nainštalovaný akumulátor. Neschopnosť zastaviť motor a vybrať akumulátor môže spôsobiť vážne zranenie.

Tento nástavec pre štetinovú kefu je určený na použitie s pohonnou hlavou EGO PH1400E.

1. Zastavte motor a odstráňte akumulátor.
2. Uvoľnite krídlovú maticu na spojke pohonnej hlavy.
3. Ak je koncovka umiestnená na hriadeli nástavca, zložte ju a uložte na bezpečnom mieste pre neskoršie použitie.

Zarovnajete šípku na hriadeli štetinovej kefy so šípkou na spojke (obr. I) a zatlačte hriadeľ štetinovej kefy do spojky, kým nebudete počuť jasné „CVAKNUTIE“ (obr. J).

Obr. I s popisom dielov:

I-1	Tlačidlo na uvoľnenie hriadeľa
I-2	Šípka na spojke
I-3	Krídlová matica
I-4	Šípka na hriadelí nástavca
I-5	Červená značka

Obr. J s popisom dielov:

J-1	Červená značka
-----	----------------

4. Miernie povytiahnite hriadeľ štetinovej kefy na overenie jeho bezpečného zaistenia v spojke. Ak tomu tak nie je, posuňte hriadeľ štetinovej kefy dopredu a dozadu v spojke, kým nebudete počuť jasné „CVAKNUTIE“, že je zapojený.
5. Dobře utiahnete krídlovú maticu.

VAROVANIE: Pred uvedením zariadenia do prevádzky sa uistite, že krídlová matica na spojke je pevne dotiahnutá; počas používania pravidelne kontrolujte jej dotiahnutie, aby nedošlo k vážnemu zraneniu.

ODPOJENIE NÁSTAVCA Z POHONNEJ HLAVY

1. Zastavte motor a vyberte akumulátor.
2. Uvoľnite krídlovú maticu.
3. So stlačeným tlačidlom na uvoľnenie hriadeľa vytiahnite hriadeľ nástavca pre štetinovú kefu zo spojky a vytiahnite ho z pohonnej hlavy.

OBSLUHA

VAROVANIE: Nedovoľte, aby znalosť tohto výrobku spôsobila vašu neopatrnosť. Pamätajte na to, že aj chvilková neopatrnosť stačí na to, aby spôsobila vážny úraz.

VAROVANIE: Vždy používajte ochranu zraku spolu s chráničmi sluchu. Ak tak neurobíte, môže dôjsť k vymršteniu predmetov do očí a k ďalším možným vážnym zraneniam.

VAROVANIE: Nepoužívajte žiadne doplnky alebo príslušenstvo, ak ho neodporúča výrobca uvedeného výrobku. Používanie nástavcov alebo príslušenstva, ktoré nie je odporúčané, môže viesť k vážnemu zraneniu osôb.

POUŽITIE

Tento výrobok môžete použiť na nižšie uvedené účely:

- Čistenie plôch a chodníkov, vrátane nerovných a spojených povrchov.
- Čistenie dláždených/betónových/asfaltových príjazdových ciest, chodníkov a dvorov.

VAROVANIE: Oblečte sa vhodne pri práci s týmto náradím, aby sa znížilo riziko poranenia. Nenoste šperky alebo voľný odev. Používajte ochranu zraku. Oblečte si odolné, dlhé nohavice, vysoké topánky a rukavice. Nenoste krátke nohavice, sandále alebo nebuďte naboso.

Ak je povrch, ktorý sa má vyčistiť, suchý, postriekajte ho vodou, aby ste znížili množstvo vytvoreného prachu.

So štetinovou kefou pracujte smerom vpred. Uchopte štetinovú kefu jednou rukou za zadnú rukoveť a druhou rukou za prednú rukoveť. Udržujte pevný úchop obomi rukami pri používaní štetinovej kefy.

Štetinovú kefu pridržavajte a vedte pod miernym uhlom. Ak štetinovú kefu držíte v príliš strmom uhle, má tendenciu odtláčať sa dozadu smerom k obsluhu.

Udržujte váš úchop a rovnováhu na oboch nohách (obr. K).

Vymrštené materiály môžu vážne poraniť obsluhu či okoloidúceho. Aby sa znížilo riziko poranenia osôb, je nutné prijať nasledujúce opatrenia:

- Pri používaní vždy držte štetinovú kefu obomi rukami. Pevne uchopte obe rukoväte.
- Pred spustením presuňte štetinovú kefu do pracovného priestoru a naštartujte ju na nižšej rýchlosti.
- Aby ste znížili riziko poranenia v dôsledku straty kontroly, pridržavajte štetinovú kefu pod miernym uhlom. Ak štetinovú kefu držíte v príliš strmom uhle, má tendenciu odtláčať sa dozadu smerom k obsluhu.

Pred každým použitím skontrolujte, či nie sú poškodené/opotrebované diely

Skontrolujte kefový valec, chránič, prednú pomocnú rukoveť a hnaciu nápravu a vymeňte diely, ktoré sú prasknuté, zdeformované, ohnuté, alebo inak poškodené.

Vyčistite štetinovú kefu po každom použití

Pozrite si časť Údržba pre pokyny na čistenie.

ZAPNUTIE/VYPNUTIE NÁSTROJA

Pozrite si časť „ZAPNUTIE/VYPNUTIE POHONNEJ HLAVY“ v návode na obsluhu pohonnej hlavy PH1400E.

ÚDRŽBA

VAROVANIE: Pri servise používajte iba identické náhradné diely. Použitie iných častí môže vyvolať nebezpečenstvo, alebo spôsobiť poškodenie výrobku. Pre zaistenie bezpečnosti a spoľahlivosti je nevyhnutné, aby všetky opravy vykonával len kvalifikovaný servisný technik.

VAROVANIE: Náradie na akumulátory nemusia byť zapojené do elektrickej zásuvky; preto sú vždy v prevádzkovom stave. Aby nedošlo k vážnemu zraneniu, prijmite osobitné opatrenia a pozornosť pri vykonávaní údržby, opravy alebo výmene rezacieho alebo iného príslušenstva.

VAROVANIE: Aby nedošlo k vážnemu osobnému zraneniu, tak pred údržbou, čistením, výmenou príslušenstva, alebo keď sa výrobok nepoužíva, vyberte akumulátor z pohonnej hlavy a počkajte, kým sa kefový valec zastaví.

CELKOVÁ ÚDRŽBA

VAROVANIE: Nikdy nedovoľte, aby brzdové kvapaliny, benzín, ropné výrobky, penetračné oleje atď., prišli do styku s plastovými časťami. Chemické látky môžu poškodiť, oslabiť alebo zničiť plast, čo môže viesť k vážnemu zraneniu.

SK

VAROVANIE: Pri čistení NEPONÁRAJTE nástavec pre štetinový kefu do vody ani iných kvapalín. Stroj nečistíte tlakovou umývačkou. Silný prúd vody môže poškodiť súčasti stroja.

ÚDRŽBA KEFOVÉHO VALCA

- Kefový valec často čistíte.
- Ak niektorý z kefových valcov vyžaduje výmenu v dôsledku opotrebovania, vymeňte obe valce naraz pre zaručenie najlepšieho výkonu.

Všetky opravy štetinovej kefy, okrem položiek uvedených v tomto návode na údržbu, musí vykonávať kvalifikovaný servisný technik.

VÝMENA KEFOVÝCH VALCOV

VAROVANIE: Po dlhom používaní sa môže poškodený kefový valec rozbiť na kúsky, ktoré sa môžu stať nebezpečnými projektilmi. Vymrštené predmety môžu spôsobiť vážny úraz. Pravidelne kontrolujte štetinový kefu a nepoužívajte ju, ak má opotrebované alebo poškodené súčasti.

Odstránenie (obr. L)

1. Vyberte závlačku z konca hnacej nápravy.
2. Vytiahnite kefový valec spolu s krycou doskou z hnacej nápravy.
3. Ak je hnacia náprava poškodená, odstráňte poistný čap z otvoru hnacej nápravy a hnciu nápravu vytiahnite z pohonného hriadeľa (obr. M).
4. Ak je krycia doska poškodená, vytiahnite ju z kefového valca a vymeňte ju.
5. Rovnakým spôsobom odmontujte druhý kefový valec.

Obr. L a popisom dielov:

L-1	Pohonný hriadeľ	L-4	Závlačka
L-2	Poistný čap	L-5	Krycia doska
L-3	Kefový valec	L-6	Hnacia náprava

Inštalácia

1. Namontujte hnciu nápravu na hnaný hriadeľ a zasuňte poistný čap do otvoru na hnacej náprave (pozrite si obr. F).
2. Nasaďte kryciu dosku na kefový valec tak, aby výstupok v krycej doske bol zarovnaný s otvorom na kefovom valci (obr. N).

Obr. N s popisom dielov:

N-1	Otvor
N-2	Výstupok

3. Kefový valec nasuňte na hnciu nápravu (pozri obr. G).
4. Zasuňte závlačku do otvoru na konci hnacej nápravy a dajte ho naplocho.
5. Rovnakým spôsobom namontujte druhý kefový valec.

VAROVANIE: Vždy vymeňte obidva kefové valce súčasne.

ČISTENIE PRÍSTROJA

- Vyberte akumulátor.
- Z kefových valčekov, krytu alebo prevodovky odstráňte kúsky koreňov, zanesenú zeminu alebo rastliny. Pre dôkladné čistenie odstráňte kefové valce a chránič, aby ste ich mohli dôkladne umyť. Podrobné kroky výmeny nájdete vo vyššie uvedenej časti „VÝMENA KEFOVÝCH VALCOV“.
- Udržujte vetracie otvory bez prekážok.

USKLADNENIE PRÍSTROJA

- Vyberte akumulátor z prístroja.
- Náradie dôkladne očistite a skontrolujte kefové valce.
- Demontujte nástavec pre štetinový kefu z pohonnej hlavy a zakryte pripojovací hriadeľ koncovkou, aby ste zabránili vnikaniu nečistôt do spojky.
- Náradie skladujte na suchom a dobre vetranom uzamknutom alebo vyvýšenom mieste mimo dosahu detí. Náradie neskladujte v blízkosti hnojív, benzínu alebo iných chemikálií.

Ochrana životného prostredia



Nevyhadzujte elektrické zariadenia, nabíjačku batérií a batérie/akumulátory do domového odpadu! Podľa európskej smernice 2012/19/EÚ sa elektrické a elektronické zariadenia, ktoré už nie sú použiteľné, musia triediť oddelene. To isté platí podľa európskej smernice 2006/66/ES pre chybné alebo použité akumulátory/batérie. Ak sú elektrické spotrebiče likvidované na neorganizovaných skládkach alebo smetiskách, môžu nebezpečné látky unikať do podzemných vôd, dostať sa do potravinového reťazca a poškodzovať zdravie.

RIEŠENIE PROBLÉMOV

PROBLÉM	PRÍČINA	SOLUTION
Štetinová kefa sa nespustí.	<ul style="list-style-type: none"> ■ Akumulátor nie je správne pripojený na pohonnú hlavu. ■ Bez elektrického kontaktu medzi pohonnou hlavou a akumulátorom. ■ Akumulátor je vybitý. ■ Poistná páčka a spínač pohonnej hlavy nie sú súčasne stlačené. ■ Stále neštartuje ani po odstránení uvedených dôvodov. 	<ul style="list-style-type: none"> ■ Pripojte akumulátor na pohonnú hlavu. ■ Vyberte akumulátor, skontrolujte kontakty a vložte akumulátor, pokiaľ nezapadne na svoje miesto. ■ Nabite akumulátor pomocou nabíjačiek EGO, ktoré sú uvedené v tomto návode na obsluhu. ■ Zatlačte poistnú páčku a podržte ju, potom stlačte spínač pre zapnutie. ■ Kontaktujte zákaznícky servis EGO.
Štetinová kefa je zjavne poškodená.	<ul style="list-style-type: none"> ■ Abnormálne poškodenie počas prepravy alebo používania. 	<ul style="list-style-type: none"> ■ Kontaktujte zákaznícky servis EGO.
Štetinová kefa sa pri čistení zastaví.	<ul style="list-style-type: none"> ■ Motor je preťaženy. ■ Akumulátor alebo pohonná hlava sú príliš horúce. ■ Akumulátor je odpojený od nástroja. ■ Akumulátor je vybitý. ■ Stále neštartuje ani po odstránení uvedených dôvodov. 	<ul style="list-style-type: none"> ■ Motor sa zotaví po odstránení záťaže. Pre kontinuálnu prácu znížte zaťaženie štetinovej kefy. ■ Nechajte akumulátor alebo pohonnú hlavu vychladnúť, pokiaľ teplota neklesne pod 67 ° C. ■ Znovu vložte akumulátor. ■ Nabite akumulátor pomocou nabíjačiek EGO, ktoré sú uvedené v tomto návode na obsluhu. ■ Kontaktujte zákaznícky servis EGO.

SK

ZÁRUKA

ZÁRUČNÁ POLITIKA EGO

Navštívte webové stránky egopowerplus.com pre úplné podmienky záručnej politiky spoločnosti EGO.

OLVASSA EL AZ ÖSSZES UTASÍTÁST!



OLVASSA EL A HASZNÁLATI ÚTMUTATÓT

⚠ Fenmaradó kockázat! Az elektronikus készülékekkel, például pacemakerrel élő emberek a termék használata előtt kérjék ki az orvos véleményét. Az elektromos felszerelésnek a pacemakerhez közel való működtetése interferenciát vagy meghibásodást okozhat a pacemakerben.

⚠ FIGYELMEZTETES: A biztonságosság és megbízhatóság biztosítása érdekében minden javítást és cserét szakképzett szerviztechnikus hajtson végre.

BIZTONSÁGI SZIMBÓLUM

A biztonsági szimbólumok célja, hogy felhívják a figyelmet az esetleges veszélyekre. Nagyon figyeljen a biztonsági szimbólumokra és magyarázatokra, ill. ezek megértésére. A szimbólumok figyelmeztetései önmagukban nem hárítják el a veszélyeket. Az utasítások és figyelmeztetések nem helyettesítik a megfelelő balesetmegelőző intézkedéseket.

⚠ FIGYELMEZTETES: A szerszám használata előtt feltétlenül olvassa el a jelen használati útmutató minden biztonsági utasítását, a „VESZÉLY”, „FIGYELMEZTETÉS” és „FIGYELEM” biztonsági szimbólumokat is. Az alább felsorolt utasítások be nem tartása áramütést, tűzveszélyt és/vagy súlyos személyi sérülést idézhet elő.

SZIMBÓLUM JELENTÉSE

BIZTONSÁGI SZIMBÓLUM: A következőket jelöli: **VESZÉLY, FIGYELMEZTETÉS VAGY FIGYELEM**, és más szimbólumokkal együtt használható.



⚠ FIGYELMEZTETES: Bármely elektromos kéziszerszám működtetése azzal járhat, hogy idegen tárgyak szembe kerülnek, ami súlyos szemsérüléseket okozhat. Az elektromos kéziszerszám működtetése előtt mindig vegyen fel oldalsó védőlemezrel ellátott védőszemüveget és a teljes védőálcot, ha szükséges. Javasoljuk, hogy viseljen Wide Vision Safety Mask-ot (védőálc) a védőszemüveg fölött vagy standard védőszemüveget oldalsó védőlemezrel.

BIZTONSÁGI ELŐÍRÁSOK

Ezen az oldalon olyan biztonsági szimbólumok láthatók és olvashatók, amelyek megjelenhetnek a terméken. Az összeszerelés vagy működtetés előtt olvassa el, értse meg és tartsa be a gép minden utasítását.

	Biztonsági figyelmeztetés	Potenciális személyi sérülés veszélyét jelzi.
	Olvassa el a használati útmutatót	A sérülések kockázatának csökkentése érdekében a használat előtt el kell olvasnia és meg kell értenie a használati útmutatót.
	Viseljen szemvédőt	Mindig viseljen védőszemüveget vagy oldalsó védőlemezrel ellátott védőszemüveget és teljes védőálcot a termék működtetése közben.
	Tartsa távol a nézelődőket	A nézelődők tartsanak biztonságos távolságot
	Viseljen védőkesztyűt	Védje a kezét kesztyűvel, amikor a pengéket kezeli. A nagy teherbírású, csúszásmentes kesztyű segít a fogásban, és védi a kezét.
	Viseljen védőlábballit	Viseljen csúszásgátló védőlábballit, amikor a készüléket használja.
	Visszapattanás	A visszapattonó tárgyak súlyos személyi sérülést vagy anyagi kárt okozhatnak.
	Ne tegye ki esőnek	Ne használja esőben, és ne hagyja kültéren, ha esik az eső.
	CE	A termék megfelel az érvényes EK irányelveknek.
	WEEE	Az elhasznált elektromos termékek nem helyezhetők a háztartási hulladékok közé. Vigye hivatalos újrahasznosító telephelyre.
	Zaj	Garantált hangteljesítményszint. Környezetre ható zajkibocsátás a Európai Közösség irányelve szerint
V	Volt	Feszültség
mm	milliméter	Hossz vagy méret
kg	kilogramm	Súly

AZ ELEKTROMOS SZERSZÁMOKRA VONATKOZÓ ÁLTALÁNOS BIZTONSÁGI FIGYELMEZTETÉSEK

▲ FIGYELMEZTETÉS: Olvassa el az elektromos kéziszerszámmal mellékelt összes biztonsági figyelmeztetést, utasítást, ábrát és specifikációt. Az alább felsorolt utasítások be nem tartása áramütést, tűzveszélyt és/vagy súlyos sérülést idézhet elő.

Őrizzen meg minden figyelmeztetést és utasítást, hogy később is elő tudja majd venni.

A MUNKATERÜLET BIZTONSÁGA

- A munkaterület legyen tiszta és jól megvilágított. A munkahelyen uralkodó rendetlenségnek vagy a rossz megvilágításnak baleset lehet a következménye.
- Ne használjon elektromos szerszámokat robbanásveszélynek kitett környezetben, például olyan helyen, ahol éghető folyadékok, gázok vagy porok találhatóak. Az elektromos kéziszerszámok szikrákat képeznek, amelyek meggyújtják a porokat vagy gázokat.
- Tartsa távol a gyermekeket és az illetéktelen személyeket, amikor elektromos kéziszerszámmal dolgozik. Ha megzavarják, elveszítheti uralmát a készülék felett.

ELEKTROMOS BIZTONSÁG

- Ne tegye ki az elektromos kéziszerszámot esőnek vagy nedves környezetnek. Az elektromos kéziszerszámba bekerülő víz megnöveli az áramütés kockázatát.

SZEMÉLYI BIZTONSÁG

- Legyen figyelmes, ügyeljen arra, amit csinál, és józan ésszel fogjon a munkához, ha elektromos kéziszerszámot használ. Ne használjon elektromos kéziszerszámot, ha fáradt, illetve kábítószert, alkoholt vagy gyógyszer hatása alatt áll. Az elektromos kéziszerszám üzemeltetése közben egy pillanatnyi figyelmetlenség is súlyos személyi sérülést okozhat.
- Mindig használjon egyéni védőfelszerelést. Az egyéni védőfelszerelések, mint például védőszemüveg, porvédő maszk, csúszásmentes védőlábelleni, sisak és/vagy hallásvédő rendeltetészerű használata csökkentheti a személyi sérülés veszélyét.
- Akadályozza meg a véletlen indítást. Ügyeljen arra, hogy a kapcsoló kikapcsolt állásban legyen, mielőtt az áramforráshoz és/vagy az akkumulátoregységhez csatlakoztatja, felveszi vagy viszi a szerszámot. Balesetekhez vezethet, ha a hálózatra csatlakoztatott szerszámot úgy viszi, hogy közben az uja a bekapcsoló gombon van, vagy ha a hálózati csatlakozódugót olyankor dugja be az aljzatba, amikor a szerszám be van kapcsolva.

- Vegye ki a csavarkulcsot és a beállító szerszámot, mielőtt az elektromos kéziszerszámot bekapcsolná. Az elektromos szerszám mozgó alkatrészén felejtett csavarkulcs vagy eszköz személyi sérülést okozhat.
- Ne hajoljon a gép fölé. Vegyen fel stabil testhelyzetet, és mindig tartsa meg az egyensúlyát. Ezáltal jobban tudja irányítani az elektromos kéziszerszámot a legváratlanabb helyzetben is.
- Viseljen megfelelő ruházatot. Ne hordjon laza, bő ruhát, és ne viseljen ékszert. A haj, a ruházat és a kesztyű ne érjen a mozgó részekhez. A laza ruházatot, az ékszert vagy a hosszú hajat becsíphetik a mozgó alkatrészek.
- Ha az elektromos kéziszerszámot porfelszívó vagy porfelfogó eszközzel szerelik fel, akkor győződjön meg arról, hogy ezek előírászerűen vannak csatlakoztatva, és használja őket a rendeltetésüknek megfelelően. Porgyűjtő használata csökkentheti a porral járó veszélyeket.
- Ne hagyja, hogy a rendszeres használat során megszerzett tapasztalat miatt túl magabiztossá váljon, és emiatt figyelmen kívül hagyja a biztonsági irányelveket. Egy óvatlan cselekedet a másodperc töredéke alatt súlyos sérülést okozhat.

AZ ELEKTROMOS KÉZISZERSZÁM ÜZEMELTETÉSE ÉS GONDOZÁSA

- Ne terhelje túl az elektromos kéziszerszámot. A munkájához használja az arra alkalmas elektromos kéziszerszámot. A megfelelő elektromos kéziszerszámmal jobban és biztonságosabban dolgozhat a megadott teljesítményhatárokon belül.
- Ne használja az elektromos kéziszerszámot, ha nem lehet a bekapcsoló gomb segítségével be- vagy kikapcsolni. Az olyan elektromos kéziszerszám, amely nem irányítható a kapcsolóval, veszélyes és javításra szorul.
- Mielőtt eltávolítaná a beszerült anyagokat, beállításokat végezze, tartozékokat cserélje, tisztítást végezze, vagy félretenné az elektromos szerszámot, távolítsa el az akkumulátoregységet, (ha az levehető) az elektromos szerszámból, és/vagy kapcsolja be az akkumulátoregységet kikapcsoló eszközt (ha van ilyen). Ezek a megelőző biztonsági intézkedések megakadályozzák az elektromos szerszám véletlenszerű bekapcsolódását.
- A használaton kívüli elektromos kéziszerszámokat gyermekektől távol tartsa, és ne engedje meg, hogy olyan személyek használják az elektromos kéziszerszámot, akik nem ismerik azt, vagy nincsenek tisztában ezekkel a biztonsági utasításokkal. Az elektromos szerszámok veszélyt jelentenek a gyakorlatlan felhasználó kezében.

- **Gondosan tartsa karban az elektromos szerszámot és tartozékait. Ellenőrizze a mozgó részek beállítását és rögzítését, vizsgáljon meg minden részt, nem sérült-e, és ellenőrizze, nem állnak-e fenn olyan körülmények, amelyek befolyásolhatják az elektromos kéziszerszámok helyes működtetését. Használat előtt javíttassa meg a sérült elektromos kéziszerszámot. A rosszul karbantartott elektromos szerszámok és tartozékok sok balesetet okoznak.**
- **A vágószerszámok legyenek mindig élesek és tiszták. A megfelelően karbantartott és kiélezett vágóélekkel rendelkező vágószerszámok kevésbé hajlamosak az elgöbülésre, valamint könnyebben kezelhetők.**
- **Az elektromos kéziszerszámot, tartozékot, vágóféléteket, stb. mindig ezen biztonsági utasításoknak megfelelően használja, mindig vegye figyelembe a munkakörülményeket, és legyen tekintettel a megmunkálandó munkadarabra. Az elektromos kéziszerszám előírt rendeltetési céltól eltérő felhasználása veszélyes helyzetet eredményezhet.**
- **Tartsa szárazon, tisztán, olajtól és zsírtól mentesen a fogantyúkat és a fogófelületet. A csúszós fogantyúk és fogófelületek miatt a szerszám kezelése és vezérlése váratlan helyzetekben nem biztonságos.**

HU

AZ AKKUMULÁTORRAL MŰKÖDŐ SZERSZÁM ÜZEMELTETÉSE ÉS GONDOZÁSA

- **Csak a gyártó által meghatározott töltőt használja.** Az olyan töltő, amely egy típusú akkumulátoregységhez alkalmas, tűzveszélyt okozhat, ha más típusú akkumulátoregységhez használja.
- **Az elektromos kéziszerszámokat csak speciálisan meghatározott akkumulátoregységekkel használja.** Bármely más akkumulátoregység használata sérülés- vagy tűzveszélyt okozhat.
- **Amikor nem használja az akkumulátoregységet, tartsa távol más fémtárgyaktól, például gemkapcsoktól, érméktől, kulcsoktól, szögektől, csavaroktól vagy más kis fémtárgyaktól, amelyek kapcsolatba léphetnek vele.** Az akkumulátorok kapcsainak rövidzárlata égési sérülést vagy tüzet okozhat.
- **Nem megfelelő körülmények között folyadék szívároghat az akkumulátorból; ne érjen ehhez. Amennyiben véletlenül hozzáérne, mossa le vízzel. Ha ez a folyadék szembe kerül, forduljon orvoshoz.** Az akkumulátorból kiszivárgó folyadék irritációt vagy égési sérülést okozhat.

- **Ne használjon sérült vagy módosított akkumulátoregységet vagy szerszámot.** A sérült vagy módosított akkumulátorok előre nem látható módon viselkedhetnek, aminek eredménye tűz, robbanás vagy sérülésveszély lehet.
- **Ne tegye ki az akkumulátoregységet tűznek vagy túlzott hőmérsékletnek.** Ha tűznek, vagy 100 °C feletti hőmérsékletnek teszi ki, akkor felrobbanhat.
- **Tartsa be a töltési utasításokat, és ne töltsen az akkumulátoregységet vagy a szerszámot az utasításokban meghatározott hőmérséklet-tartományon kívül.** A nem megfelelő vagy a meghatározott hőmérséklet-tartományon kívüli töltés megrongálhatja az akkumulátort, és növeli a tűzveszélyt.

EGYÉB BIZTONSÁGI FIGYELMEZTETÉSEK

Gyakorlás

- **Körültékintően olvassa el az utasításokat.** Ismerje meg a gép vezérlését és helyes használatát.
- **Ne engedélyezze a gép használatát gyermekeknek vagy olyan személyeknek, akik nem ismerik ezeket az utasításokat.** A helyi rendelkezések korlátozásokat tartalmazhatnak a szerszám működtetőjének életkorára vonatkozóan.
- **Soha ne dolgozzon, ha emberek, különösen gyermekek, vagy kisállatok vannak a közelben.**
- **Ne feledje, hogy a szerszám működtetője a felelős a más embereket vagy mások vagyontárgyait érintő balesetekért vagy veszélyekért.**

Előkészítés

- **Munkavégzés közben mindig megfelelő lábbelit és hosszú szárú nadrágot kell viselni.** Ne használja a készüléket mezítárb vagy nyitott cipőben.
- **Alaposan vizsgálja meg a területet, ahol a készüléket használni fogja, és távolítsa el minden tárgyat, amit a gép felvethet.**
- **Használat előtt mindig vizsgálja meg, hogy az eszközök nem sérültek vagy kopottak-e.** Az egyensúly fenntartása érdekében készletek formájában cserélje a kopott vagy sérült elemeket.

Üzemeltetés

- **Ne működtesse a motort olyan zárt térben, ahol veszélyes szén-monoxid gáz gyűlhet fel.**
- **Csak nappali világosságnál vagy megfelelő mesterséges megvilágítás mellett dolgozzon.**
- **Ha lejtős terepen dolgozik, mindig ügyeljen arra, hova lép.**

- Sétáljon, soha ne fusson a géppel.
- Kerekese gépek esetén lejtőkön mindig keresztirányban dolgozzon, soha ne felfelé és lefelé.
- Legyen különösen elővigyázatos, amikor irányt vált a lejtőn.
- Ne dolgozzon túlságosan meredek lejtőkön.
- Legyen rendkívül óvatos, ha megfordítja vagy önmaga felé húzza a gépet.
- Ne módosítsa a motor fordulatszám-irányító beállításait, és ne működtesse túl gyorsan a motort.
- Óvatosan, a gyártó utasításainak megfelelően indítsa be a motort, a lábfejét az eszköztől távol tartva.
- Ne tegye kezét vagy lábfejét a forgó alkatrészek alá.
- Bekapcsolt állapotban soha ne emelje fel vagy vigye a gépet.

MŰKÖDTETÉS LEJTŐN:

A lejtőkön történik a legtöbb csúszással vagy eséssel járó balesetet, ami súlyos sérülést okozhat. Ha lejtős terepen dolgozik, mindig ügyeljen arra, hova lép. A lejtőkön való működtetés különleges odafigyelést igényel. Ha kényelmetlennek tartja a lejtőn való munkavégzést, ne használja az eszközt.

- Ügyeljen a lyukakra, keréknyomokra, kövekre, rejtett tárgyakra, vagy kiemelkedésekre, amelyek miatt megsúszhat vagy megbotolhat. A magas fűben lehetnek rejtett akadályok.

SZERVIZ

- Az elektromos kéziszerszám szervizelését szakképzett szerelő végezze, csak az eredetivel megegyező cserealkatrészek felhasználásával. Ezzel biztosítja az elektromos kéziszerszám biztonságának fenntartását.
- Soha ne szervizeljen sérült akkumulátoregységet. Az akkumulátoregységet csak a gyártó vagy felhatalmazott szerviz szolgáltató szervizelheti.

▲ FIGYELMEZTETES: Olvassa el az elektromos kéziszerszámhoz mellékelt összes biztonsági figyelmeztetést, utasítást, ábrát és specifikációt. Az alább felsorolt utasítások be nem tartása áramütést, tüzveszélyt és/vagy súlyos sérülést idézhet elő. Őrizzen meg minden figyelmeztetést és utasítást, hogy később is elő tudja majd venni.

- Csak az A.ábrán felsorolt akkumulátoregységeket és töltőket használja.

ŐRIZZE MEG EZEKET AZ UTASÍTÁSOKAT!

JELLEMZŐK

Seprű forgódob átmérő	250mm	
Tisztítókefe	560mm	
Javasolt üzemi hőmérséklet	-15°C -40°C	
Javasolt tárolási hőmérséklet	-20°C-70°C	
Súly (burkolattal együtt)	5,05 kg	
Mért hangteljesítményszint L_{WA}	91,4 dB(A) K=2,02 dB(A)	
Hangnyomásszint a kezelő fülénél L_{PA}	82,8 dB(A) K=2,5 dB(A)	
Garantált hangteljesítményszint L_{WA} (a 2000/14/EK szerint mérve)	93 dB(A)	
Vibráció értéke a_h	Elülső segédfo- gantyú	0,46 m/s ² K= 1,5 m/s ²
	Hátsó fogantyú	1,43 m/s ² K= 1,5 m/s ²

- A fenti paraméterek PH1400E meghajtófejjel felszerelve kerültek tesztelésre és mérésre.
- A névleges rezgési összérték mérése standard bevizsgálási módszerrel történt, és használatával a szerszámok egymással összehasonlíthatók.
- A névleges rezgési érték a kockázat előzetes felméréséhez is felhasználható.

MEGJEGYZÉS: A rezgés kibocsátás az elektromos szerszám aktuális használata közben eltérhet attól a névleges értéktől, amellyel a szerszámot használják: a kezelő védelme érdekében a használaton kesztyűt és hallásvédőt kell használni a működtetés közben.

A CSOMAG TARTALMA

ALKATRÉS NEVE	MENNYISÉG
Seprű adapter	1
Seprűhenger	2
Meghajtótengely	2
Burkolat (csavarral)	1
Imbuszkulcs	1
Sasszeg	2
Rögzítőcsap	2
Használati útmutató	1

HU

LEÍRÁS

A SEPRŰ ADAPTER RÉSZEI (A ábra)

1. Zárósapka
2. Seprű adapter tengely
3. Védőburkolat
4. Seprűhenger
5. Hajtómű
6. Sasszeg
7. Imbuszkulcs

ÖSSZESZERELÉS

⚠ FIGYELMEZTETES: Ha bármely alkatrész sérült vagy hiányzik, akkor ne működtesse a terméket, amíg az alkatrészeket ki nem cserélik. Sérült vagy hiányzó alkatrészekkel való használat súlyos személyes sérülést okozhat.

⚠ FIGYELMEZTETES: Ne próbálja megváltoztatni a terméket, és ne készítsen hozzá tartozékokat, amelyek nem javasoltak ehhez a géphez. Bármilyen módosítás vagy változtatás helytelen használatnak minősül, és veszélyes feltételeket teremthet, amely súlyos személyi sérüléssel végződhet.

⚠ FIGYELMEZTETES: A véletlenszerű indítás elkerülése érdekében, amely súlyos személyi sérülést okozhat, mindig húzza ki az akkumulátoregység csatlakozóját az aljzatból, amikor összeszereli az alkatrészeket.

⚠ FIGYELMEZTETES: Ne csatlakoztassa a seprű adaptert a meghajtófejhez, amíg az összeszerelés nem teljes. Amennyiben ezt nem tartja be, a készülék véletlenül bekapcsolódhat, ami súlyos személyi sérülést okozhat.

A VÉDŐBURKOLAT FELSZERELÉSE

⚠ FIGYELMEZTETES: A burkolatot a seprű adapter meghajtófejhez történő csatlakoztatása előtt szerelje fel.

1. Az imbuszkulccsal lazítsa meg és távolítsa el a csavart a burkolatról (B ábra).
2. Emelje fel a seprű adapter tengelyét és távolítsa el a zárósapkát a tengelyről.
3. Illesze össze a burkolaton lévő nyílást a tengely peremmel ellátott végével, vezesse át a burkolatot a tengelyen, amíg a burkolat és a tengely furatai nem illeszkednek egymáshoz (C és D ábra).

A C és D ábra alkatrészeinek leírását lásd lent:

C-1	Nyílás
C-2	Perem
D-1	Csavar

4. A burkolat biztos rögzítése érdekében a csavar meghúzásához használja a mellékelt imbuszkulcsot az óramutató járásával megegyező irányban.

A SEPRŰHENGEREK FELSZERELÉSE

1. Nyomja a meghajtótengelyt a hajtott tengelyre (E ábra).

Az E ábra alkatrészeinek leírását lásd lent:

E-1	Hajtott tengely
E-2	Meghajtótengely

2. A meghajtótengely hajtott tengelyhez történő rögzítéséhez illesse a rögzítőcsapot a rögzítőnyílásba.

MEGJEGYZÉS: A rögzítőcsapnak a megfelelő helyen kell illeszkednie (F ábra).

Az F ábra alkatrészeinek leírását lásd lent:

F-1	Rögzítőcsap
F-2	Rögzítőnyílás

3. A másik meghajtótengely felszereléséhez kövesse ugyanezeket a lépéseket.
4. Tolja a seprűhengert a meghajtótengelyre (G ábra).

A G ábra alkatrészeinek leírását lásd lent:

G-1	Seprűhenger
G-2	Meghajtótengely

5. A seprűhenger meghajtótengelyhez történő rögzítéséhez illesse a sasszeget a tengely végén található nyílásba (H ábra).

A H ábra alkatrészeinek leírását lásd lent:

H-1	Sasszeg
-----	---------

6. A másik seprűhenger felszereléséhez kövesse ugyanezeket a lépéseket.

A SEPRŰ ADAPTER RÖGZÍTÉSE A MEGHAJTÓFEJRE

⚠ FIGYELMEZTETES: Soha ne csatlakoztasson vagy állítson be tartozékokat, ha a meghajtófej működésben van, vagy az akkumulátor be van helyezve. Ha nem állítja le a motort, vagy nem veszi ki az akkumulátort, súlyos személyi sérülés következhet be.

A seprű adaptert EGO PH1400E meghajtófejfel való használatához tervezték

1. Állítsa le a motort, és vegye ki az akkumulátoregységet
2. Oldja ki a szárnyas anyát a meghajtófej csatlakozóján.
3. Ha a zárósapka rajta van az adapter tengelyén, távolítsa el és tegye biztos helyre a későbbi felhasználáshoz.

Igazítsa a seprű tengelyén lévő nyilat a csatlakozón lévő nyílhoz (I ábra) és tolja a seprű tengelyét a csatlakozóba, amíg egy jól hallható KATTANÁST nem hall (J ábra).

Az I ábra alkatrészeinek leírását lásd lent:

I-1	Tengelykioldó gomb
I-2	Nyíl a csatlakozón
I-3	Szárnyas anya
I-4	Nyíl az adapter tengelyén
I-5	Piros csík

A J ábra alkatrészeinek leírását lásd lent:

J-1	Piros csík
-----	------------

4. A tengelyt kissé húzza ki a seprű adapterből, hogy megnézzé, biztonságosan van-e a csatlakozóban rögzítve. Ha nem, forgassa a seprű tengelyét előre-hátra a csatlakozóban, amíg egy jól hallható KATTANÁS nem jelzi, hogy a helyére került.
5. Húzza meg alaposan a szárnyas anyát.

▲ FIGYELMEZTETES: A készülék működtetése előtt győződjön meg arról, hogy a csatlakozón lévő szárnyas anya meg van-e húzva; időnként ellenőrizze a rögzítettséget használat közben a súlyos személyi sérülések elkerülése érdekében.

AZ ADAPTER ELTÁVOLÍTÁSA A MEGHAJTÓFEJRŐL

1. Állítsa le a motort, és vegye ki az akkumulátoregységet.
2. Oldja ki a szárnyas anyát.
3. A tengelykioldó gomb megnyomása után húzza vagy forgassa ki a seprű adapter tengelyét a csatlakozóból, hogy eltávolítsa a meghajtófejből.

MŰKÖDTETÉS

▲ FIGYELMEZTETES: Ne hagyja, hogy a termékkel szerzett jártassága miatt óvatlanná váljon. Emlékezzon arra, hogy a másodperc töredéke alatt történő óvatlanság súlyos sérülést okozhat.

▲ FIGYELMEZTETES: Mindig viseljen védőszemüveget és hallásvédőt. Amennyiben nem ezt teszi, tárgyak repülhetnek a szemébe, és más komoly sérülések keletkezhetnek.

▲ FIGYELMEZTETES: Ne használjon a termék gyártója által nem javasolt tartozékokat. A nem javasolt tartozékok használata súlyos személyi sérülést okozhat.

ALKALMAZÁSOK

A terméket az alábbi célokra használhatja:

- Területek és utak tisztítása, ideértve az egyenetlen és hepehupás felületeket is.
- Kövezett/betonozott/aszfaltozott kocsifelhajtók, járdák és udvarok tisztítása.

▲ FIGYELMEZTETES: Megfelelően öltözzön fel a sérülések kockázatának csökkentése érdekében, amikor a szerszámot működteti. Ne viseljen laza ruházatot vagy ékszereket. Viseljen szemvédőt. Viseljen erős, hosszú szárú nadrágot, cipőt és kesztyűt. Ne viseljen rövidnadrágot vagy szandált, és ne járjon mezítláb.

Ha a tisztítandó felület száraz, a keletkező por mennyiségének csökkentése érdekében locsolja fel a területet vízzel.

A seprűt előrefelé haladva használja. A seprűt mindig az egyik kezével a hátsó fogantyún és a másik kezével az első fogantyún tartsa. A seprűt működtetés közben mindig erősen, két kézzel fogja.

A seprűt lapos szögben tartsa és irányítsa. Ha túl meredek szögben tartja, a seprű visszalökődhet a kezelő felé.

Tartsa meg a fogást és mindkét lábára nehezedve álljon. (K ábra).

A repülő anyagok súlyosan megsebesíthetik a kezelőt vagy a közelben tartózkodókat. A személyi sérülések kockázatának csökkentése érdekében mindenképpen tartsa be a következő óvintézkedéseket:

- Működés közben mindig két kézzel tartsa a seprűt. Mindkét fogantyút tartsa erősen.
- Beindítás előtt vigye a seprűt a munkaterületre és lassú sebességen indítsa be.
- A seprű feletti irányítás elvesztése miatti sérülés kockázatának csökkentése érdekében alacsony szögben tartsa és irányítsa a seprűt. Ha túl meredek szögben tartja, a seprű visszalökődhet a kezelő felé.

Minden használat előtt ellenőrizze, hogy nincsenek-e sérült/kopott alkatrészek

Ellenőrizze a seprűhengert, a védőburkolatot, az első segédfogantyút, a meghajtótengelyt, és cserélje ki a repedt, megvetemedett, elgörbült vagy sérült alkatrészeket.

HU

A seprűt minden használat után tisztítsa meg

Lásd a Karbantartás fejezetben lévő tisztítási utasításokat.

A KÉSZÜLÉK INDÍTÁSA/LEÁLLÍTÁSA

Lásd „A MEGHAJTÓFEJ INDÍTÁSA/LEÁLLÍTÁSA” fejezetet a PH1400E meghajtófej használati útmutatójában

KARBANTARTÁS

▲ FIGYELMEZTETES: Javításkor használjon az eredetivel megegyező pótalkatrészeket. Más alkatrészek használata veszélyt okozhat, vagy megrongálhatja a terméket. A biztonságosság és megbízhatóság biztosítása érdekében minden javítást szakképzett szerviztechnikus hajtson végre.

▲ FIGYELMEZTETES: Az akkumulátorral működő szerszámokat nem kell hálózati aljzathoz csatlakoztatni; ezért mindig működőképes állapotban vannak. A súlyos személyi sérülések elkerülése érdekében legyen rendkívül óvatos, amikor karbantartást, szervizelést végez, vagy kicseréli a vágóegységet vagy más alkatrészeket.

▲ FIGYELMEZTETES: A súlyos személyi sérülés megelőzése érdekében távolítsa el az akkumulátoregységet a meghajtófejből és várja meg, amíg a seprűhenger leáll szervizelés, tisztítás, a további tartozékok cseréje és a termék használaton kívül helyezése előtt.

ÁLTALÁNOS KARBANTARTÁS

▲ FIGYELMEZTETES: Fékolaj, benzin, petróleum alapú termékek, behatoló olajok stb. soha ne érintkezzenek a műanyag alkatrészekkel. A vegyszerek megrongálhatják, gyengíthetik vagy megsemmisíthetik a műanyagot, ami súlyos személyi sérülést okozhat.

▲ FIGYELMEZTETES: A seprű adapter tisztításkor NE merítse vízbe vagy más folyadékba. Ne tisztítsa a gépet nagynyomású mosóval. Az erős víz sugar károsíthatja a gép alkatrészeit.

A SEPRŰHENGERT KARBANTARTÁSA

- A seprűhengert gyakran tisztítsa.
- Ha valamelyik seprűhengert sérülés miatt cserélni kell, a legjobb teljesítmény érdekében mindkét hengert cserélje ki.

A seprű szervizelését – a karbantartási útmutatóban felsorolt elemek kivételével – jogosult szakember végezze.

A SEPRŰHENGEREK CSERÉJE

▲ FIGYELMEZTETES: Hosszabb ideig tartó használat után a sérült seprűhenger darabokra eshet szét, a szétrepülő darabok pedig veszélyessé válhatnak. A kilöködő tárgyak súlyos sérüléseket okozhatnak. Rendszeresen ellenőrizze a seprűt, és ne működtesse kopott vagy sérült alkatrészekkel.

Kivétel (L ábra)

1. Távolítsa el a sasszeget a meghajtótengely végéről.
2. Húzza le a seprűhengert a meghajtótengelyről a zárólappal együtt.
3. Ha a meghajtótengely sérült, a meghajtótengely nyílásából távolítsa el a rögzítőcsapot, és húzza le a meghajtótengelyt a hajtott tengelyről (M ábra).
4. Ha a zárólap sérült, húzza le a seprűhengerről, és cserélje ki.
5. A másik seprűhenger eltávolításához kövesse ugyanezeket a lépéseket.

Az L ábra alkatrészeinek leírását lásd lent:

L-1	Hajtott tengely	L-4	Sasszeg
L-2	Rögzítőcsap	L-5	Zárólap
L-3	Seprűhenger	L-6	Meghajtótengely

Felszerelés

1. Helyezze a meghajtótengelyt a hajtott tengelyre és tegye a rögzítőcsapot a meghajtótengelyen lévő nyílásba (lásd F ábra).
2. Tegye a zárólapot a seprűhengerre úgy, hogy a zárólap pereme illeszkedjen a seprűhengeren lévő nyílásba (N ábra).

Az N ábra alkatrészeinek leírását lásd lent:

N-1	Nyílás
N-2	Perem

3. Tolja a seprűhengert a meghajtótengelyre (G ábra).
4. Tegye a sasszeget a meghajtótengely végén található nyílásba, és hajtsa le, hogy laposan helyezkedjen el.
5. A másik seprűhenger felszereléséhez kövesse ugyanezeket a lépéseket.

▲ FIGYELMEZTETES: A seprűhengereket ugyanakkor cserélje.

AZ EGYSÉG TISZTÍTÁSA

- Vegye ki az akkumulátort.

- Tisztítsa le a gyökérdarabokat, a seprűhengereken, a burkolaton vagy a hajtóművön lerakódott gyökér-, föld- vagy növénydarabokat. Az alapos tisztításhoz távolítsa el a seprűhengereket és a burkolatot, hogy lemoshassa őket. A csere részletes lépéseihez tekintse meg a fenti „**A SEPRŰHENGEREK CSERÉJE**” szakaszt.
- Tartsa akadályoktól szabadon a szellőzőnyílásokat.

AZ EGYSÉG TÁROLÁSA

- Vegye ki az akkumulátoregységet a szerszámból.
- Alaposan tisztítsa meg a szerszámot, és vizsgálja meg a seprűhengereket.
- Távolítsa el a seprű adaptert a meghajtófejről és fedje le az adapter tengelyét a zárósapkával, hogy ne juthasson szennyeződés a csatlakozásba.
- A szerszámot száraz, jól szellőző, elzárt vagy magas helyen tárolja, ahol gyermekek nem érik el. Ne tárolja az egységet trágya, benzin vagy más vegyszerek mellett.

Környezetvédelem



Ne dobja az elektromos felszerelést, az akkumulátortöltőt és az akkumulátorokat/újratölthető akkumulátorokat a háztartási hulladékok közé! Az elektromos és elektronikus berendezések hulladékairól szóló 2012/19/EU európai törvény, amely már nincs érvényben, és az 2006/66/EK európai törvény értelmében a sérült vagy elhasznált akkumulátoregységeket/akkumulátorokat külön kell gyűjteni. Ha az elektromos berendezéseket hulladéklerakóban vagy szeméttelpeken ártalmatlanítják, olyan veszélyes anyagok kerülhetnek belőlük a talajvízbe, majd onnan a táplálkozási láncba, amelyek veszélyeztetik az egészséget és az emberi jólétet.

HIBAELHÁRÍTÁS

PROBLÉMA	OK	MEGOLDÁS
A seprű nem indul el.	<ul style="list-style-type: none"> ■ Az akkumulátoregység nincs megfelelően csatlakoztatva a meghajtófejhez. ■ Nincs elektromos kapcsolat a meghajtófej és az akkumulátoregység között. ■ Az akkumulátoregység lemerült. ■ A kapcsoló gomb és a meghajtófej triggere nem egyidejűleg van megnyomva. ■ A fenti okokon kívüli okokból adódóan még mindig nem indul. 	<ul style="list-style-type: none"> ■ Csatlakoztassa az akkumulátoregységet a meghajtófejhez. ■ Vegye ki az akkumulátoregységet, ellenőrizze a csatlakozást, és helyezze vissza az akkumulátoregységet, amíg a helyére nem ugrik. ■ Töltse fel az akkumulátoregységet a jelen útmutatóban megadott EGO töltővel. ■ Nyomja meg és tartsa lenyomva a kapcsoló gombot, majd oldja ki a trigger az egység bekapcsolásához. ■ Forduljon az EGO ügyfélszolgálathoz.
A seprű nyilvánvalóan sérült.	<ul style="list-style-type: none"> ■ Nem megszokott sérülés a szállítás vagy a használat során. 	<ul style="list-style-type: none"> ■ Forduljon az EGO ügyfélszolgálathoz.
A seprű megáll használat közben.	<ul style="list-style-type: none"> ■ A motor túlterhelt. ■ Az akkumulátoregység vagy a meghajtófej túl forró. ■ Az akkumulátoregység ki van véve a szerszámból. ■ Az akkumulátoregység lemerült. ■ A fenti okokon kívüli okokból adódóan még mindig nem indul. 	<ul style="list-style-type: none"> ■ A motor újra működőképes, ha a terhet eltávolítja. A folyamatos működés érdekében csökkentse a seprűhenger terhelését. ■ Hagyja kihűlni az akkumulátoregységet vagy a meghajtófejet 67 °C alatti hőmérsékletre. ■ Helyezze vissza az akkumulátoregységet. ■ Töltse fel az akkumulátoregységet a jelen útmutatóban megadott EGO töltővel. ■ Forduljon az EGO ügyfélszolgálathoz.

HU

GARANCIA

EGO GARANCIÁLIS FELTÉTELEK

Kérjük, látogasson el az egopowerplus.com oldalra, ahol megtalálja a részletes EGO garanciális feltételeket.

CITIȚI TOATE INSTRUCȚIUNILE!



CITIȚI MANUALUL DE INSTRUCȚIUNI

⚠ Riscuri reziduale! Persoanele cu dispozitive electrice precum stimulatoare cardiace ar trebui să se consulte cu medicul (medicii) înainte de a utiliza acest produs. Funcționarea echipamentelor electrice în imediata apropiere a unui stimulator cardiac ar putea provoca interferențe sau defecțiuni ale stimulatorului cardiac.

⚠ AVERTISMENT: Pentru siguranța și fiabilitatea produsului, toate reparațiile și înlocuirile de piese ar trebui efectuate de către un tehnician de service autorizat.

SIMBOL DEEE

Scopul simbolurilor privind siguranța este să vă atragă atenția asupra pericolelor posibile. Simbolurile privind siguranța și explicațiile furnizate cu acestea merită atenția și înțelegerea dumneavoastră. Avertizările simbolurilor nu elimină, prin ele însele, niciun pericol. Instrucțiunile și avertizările pe care le oferă acestea nu pot înlocui măsurile adecvate de prevenire a accidentelor.

⚠ AVERTISMENT: Asigurați-vă că ați citit și înțelegeți toate instrucțiunile privind siguranța din acest Manual de utilizare, inclusiv toate simbolurile de alertă privind siguranța precum “PERICOL,” “AVERTISMENT,” și “ATENȚIE” înainte de a utiliza această sculă. Nerespectarea tuturor avertismentelor și instrucțiunilor poate duce la electrocutare, incendiu și/sau răni grave.

SEMNIȚAȚIA SIMBOLURILOR

⚠ SIMBOL DE AVERTIZARE PRIVIND

SIGURANȚA: Indică PERICOL, AVERTISMENT, SAU ATENȚIE, poate fi utilizat împreună cu alte simboluri sau pictograme.



⚠ AVERTISMENT: Exploatarea oricăror scule electrice se poate solda cu ricoșarea de obiecte străine în ochii dumneavoastră, ceea ce se poate solda cu vătămare gravă a ochilor. Înainte de a începe să utilizați scula electrică, echipați-vă întotdeauna cu ochelari de protecție sau ochelari de protecție cu apărători laterale și vizieră pentru față, atunci când este nevoie. Vă recomandăm să purtați o vizieră lată de protecție peste ochelarii de vedere sau ochelari de protecție standard cu apărători laterale.

INSTRUCȚIUNI PRIVIND SIGURANȚA

Această pagină descrie simbolurile de siguranță ce pot apărea pe acest produs. Citiți, înțelegeți și respectați toate instrucțiunile de pe mașină înainte de a o asambla și de a o utiliza.

	Alertă privind siguranța	Indică un risc posibil de vătămare personală.
	Citiți manualul de instrucțiuni	Pentru a reduce riscul de vătămare, utilizatorul trebuie să citească și să înțeleagă manualul de instrucțiuni înainte de a utiliza acest produs.
	Purtați echipament de protecție oculară	Purtați întotdeauna ochelari de protecție sau ochelari de protecție cu apărători laterale și o vizieră facială completă când utilizați acest produs.
	Țineți trecătorii la distanță	Țineți trecătorii la o distanță de siguranță
	Purtați mănuși de protecție	Protejați-vă mâinile cu mănuși când manevrați lamele. Mănușile super rezistente, nealunecoase vă îmbunătățesc aderența și vă protejează mâinile.
	Purtați încălțăminte de protecție	Purtați încălțăminte antiderapantă când utilizați acest echipament.
	Ricoșeu	Obiectele aruncate pot ricoșa și cauza vătămări corporale și pagube.
	A nu se expune la ploaie	Nu utilizați acest produs în ploaie și nu-l lăsați în exterior în timp ce plouă.
	CE	Acest produs este în conformitate cu directivele europene aplicabile.
	DEEE	Deșeurile produselor electrice nu trebuie să fie eliminate împreună cu deșeurile menajere. Predați-le unui punct de reciclare autorizat.
	Zgomet	Nivelul puterii sunetului garantat. Emisii sonore în mediul înconjurător conform Directivei comunitare europene.
V	Volt	Tensiune
mm	Milimetru	Lungime sau dimensiuni
kg	Kilogram	Greutate

RO

INSTRUCȚIUNI GENERALE DE SIGURANȚĂ PENTRU SCULE ELECTRICE

⚠️ AVERTISMENT: Citiți toate instrucțiunile, avertizările de siguranță, ilustrațiile și specificațiile livrate împreună cu această sculă electrică. Nerespectarea tuturor instrucțiunilor enumerate mai jos se poate solda cu șoc electric, incendiu și/sau vătămare corporală gravă.

Păstrați toate avertizările și instrucțiunile pentru consultare ulterioară.

SIGURANȚA ZONEI DE LUCRU

- **Păstrați zona de lucru curată și bine iluminată.** Zonele dezordonate și întunecoase predispun la accidente.
- **Nu puneți în funcțiune sculele electrice în atmosfere explozive, cum ar fi în prezența lichidelor, gazelor sau prafurilor inflamabile.** Sculele electrice creează scântei, care pot aprinde praful sau gazele.
- **Țineți copiii și persoanele prezente la distanță atunci când operați o sculă electrică.** Distragerea atenției vă poate face să pierdeți controlul.

SIGURANȚA ELECTRICĂ

- **Nu expuneți sculele electrice la ploaie sau condiții de umiditate.** Pătrunderea apei într-o sculă electrică va crește riscul de electrocutare.

RO

SIGURANȚA PERSONALĂ

- **Păstrați-vă vigilența, urmăriți ceea ce faceți și apelați la bunul simț când utilizați o sculă electrică.** Nu utilizați o sculă electrică când sunteți obosit, sau sub influența drogurilor, a alcoolului sau a medicației. Un moment de neatenție în timp ce utilizați sculele electrice se poate solda cu vătămări grave.
- **Întotdeauna utilizați echipament individual de protecție.** Echipamentele de protecție, cum ar fi protecțiile oculare, masca de praf, bocancii de protecție antiderapanți, casca sau antifoanele utilizate în condiții corespunzătoare, vor reduce vătămrile corporale.
- **Preveniți pornirea accidentală. Asigurați-vă că întrerupătorul este în poziția oprit înainte de a conecta la o sursă de alimentare și/sau set de acumulatori, înainte de a ridica sau transporta scula.** Transportul sculelor electrice cu degetul pe întrerupător sau cu alimentarea cu energie electrică pornită, predispuie la accidente.
- **Îndepărtați orice cheie de reglare sau cheie fixă înainte de a porni scula electrică.** O cheie lăsată într-o piesă rotativă a sculei electrice poate duce la accidente.

- **Nu vă întindeți prea tare. Păstrați-vă stabilitatea și echilibrul în orice moment.** Astfel veți avea un mai bun control asupra sculei electrice în situații neașteptate.
- **Îmbrăcați-vă corespunzător. Nu purtați haine largi sau bijuterii. Păstrați-vă părul, îmbrăcămintea și mănușile departe de componentele în mișcare.** Îmbrăcămintea largă, bijuteriile sau părul lung pot fi prinse de piesele în mișcare.
- **Dacă sunt furnizate dispozitive pentru conectarea sistemelor de extragere și colectare a prafului, asigurați-vă că acestea sunt conectate și utilizate corespunzător.** Utilizarea dispozitivelor colectoare de praf poate reduce pericolele legate de praf.
- **Nu permiteți ca familiaritatea dobândită în urma utilizării frecvente a sculelor să vă facă să neglijați sau să nesocotiți principiile de siguranță ale sculei.** O operație neglijentă poate cauza răni grave într-o fracțiune de secundă.

UTILIZAREA ȘI ÎNGRIJIREA SCULELOR ELECTRICE

- **Nu forțați scula electrică. Utilizați scula electrică corespunzătoare pentru aplicația dumneavoastră.** Scula electrică corectă va face o treabă mai bună și mai sigură utilizată conform specificațiilor pentru care a fost concepută.
- **Nu utilizați scula electrică dacă întrerupătorul nu comută pe pozițiile pornit și oprit.** Orice sculă electrică ce nu poate fi controlată cu întrerupătorul este periculoasă și trebuie reparată.
- **Deconectați setul de acumulatori, dacă este detașabil, de scula electrică și/sau activați orice dispozitiv de dezactivare a acumulatorului înainte de efectuarea oricărui reglaje, schimbări de accesorii, curățare sau înainte de depozitarea sculelor electrice.** Astfel de măsuri preventive reduc riscul de pomire accidentală a sculei electrice.
- **Depozitați sculele electrice într-un loc inaccesibil copiilor și nu permiteți utilizarea sculei electrice de persoane nefamiliarizate cu aceasta sau cu aceste instrucțiuni.** Sculele electrice sunt periculoase în mâna utilizatorilor neinstruiți.
- **Întrețineți sculele electrice și accesoriiile. Verificați dacă există abateri de la coaxialitate sau îndoiri ale pieselor în mișcare, avarii ale pieselor și orice altă situație care poate afecta funcționarea sculelor electrice.** În caz de deteriorare, reparați scula electrică înainte de utilizare. Multe accidente sunt cauzate de sculele electrice și accesoriiile prost întreținute.

- **Mențineți sculele de tăiere ascuțite și curate.** Sculele de tăiere întreținute corespunzător și cu muchii de tăiere ascuțite riscă mai puțin să se îndoiască și sunt mai ușor de controlat.
- **Utilizați scula electrică, accesoriile și cuțitele demontabile etc. în conformitate cu aceste instrucțiuni, ținând cont de condițiile de lucru și lucrarea de efectuat.** Utilizarea sculei electrice pentru operații diferite de cele intenționate s-ar putea solda cu o situație periculoasă.
- **Mențineți mânerul și suprafețele de apucat uscate, curate și fără ulei și vaselină.** Mânerul și suprafețele de apucare alunecoase nu permit manevrarea în siguranță și controlul asupra sculei în situații neașteptate.

UTILIZAREA ȘI ÎNGRIJIREA ACUMULATORULUI

- **Reîncărcați numai cu încărcătorul specificat de producător.** Un încărcător adecvat pentru un tip de set de acumulatori poate prezenta risc de incendiu dacă este utilizat cu alt set de acumulatori.
- **Utilizați sculele electrice doar cu seturile de acumulatori special menționate.** Utilizarea oricărui alt set de acumulatori prezintă risc de accidente și incendiu.
- **Când nu se utilizează setul de acumulatori, țineți-l departe de alte obiecte metalice precum clemele de hârtie, monedele, cheile, cuiele, șuruburile sau alte obiecte metalice mici care pot realiza o conexiune între borne.** Scurtcircuitarea bornelor acumulatorului poate produce arsuri sau un incendiu.
- **În condiții abuzive se poate scurge lichid din acumulator; evitați contactul. Dacă are loc contactul accidental, clătiți cu apă.** Dacă lichidul intră în contact cu ochii, efectuați suplimentar un consult medical. Lichidul scurs din acumulator poate produce iritații sau arsuri.
- **Nu utilizați un set de acumulatori sau o sculă avariata sau modificată.** Acumulatorii deteriorați sau modificați pot prezenta comportament imprevizibil, care poate duce la incendiu, explozie sau risc de vătămare.
- **Nu expuneți setul de acumulatori la foc sau la temperaturi excesive.** Expunerea acestuia la foc sau la temperaturi ce depășesc 100 °C poate cauza o explozie.
- **Respectați instrucțiunile de încărcare și nu încărcați setul de acumulatori sau scula în afara intervalului de temperatură specificat în instrucțiuni.** Încărcarea necorespunzătoare sau la temperaturi în afara domeniului specificat poate duce la deteriorarea acumulatorului și la creșterea riscului de incendiu.

ALTE AVERTIZĂRI SUPLIMENTARE DE SIGURANȚĂ

Instruirea

- Citiți cu atenție instrucțiunile. Familiarizați-vă cu comenzile și cu utilizarea corectă a mașinii.
- Nu permiteți niciodată persoanelor nefamiliarizate cu aceste instrucțiuni sau copiilor să utilizeze mașina. Reglementările locale pot restricționa vârsta operatorului.
- Nu lucrați niciodată în timp ce sunt oameni, mai ales copiii, sau animale în apropiere.
- Rețineți că operatorul sau utilizatorul este responsabil de accidentele sau pericolele la care sunt supuse alte persoane sau bunurile acestora.

Pregătirea

- În timp ce lucrați, purtați întotdeauna încălțăminte trainică și pantaloni lungi. Nu utilizați echipamentul când sunteți desculț sau când purtați sandale.
- Inspectați cu atenție zona în care echipamentul urmează să fie utilizat și îndepărtați toate obiectele pe care mașina le poate arunca.
- Înainte de utilizare, verificați întotdeauna vizual pentru a vă asigura că sculele nu sunt uzate sau deteriorate. Înlocuiți lamele uzate sau componentele deteriorate și șuruburile în seturi, pentru a păstra echilibrul.

Utilizarea

- Nu puneți motorul în funcțiune într-un spațiu închis unde se pot acumula gaze periculoase de monoxid de carbon.
- Utilizați produsul numai pe timp de zi sau în condiții de lumină artificială bună.
- Mențineți întotdeauna o poziție stabilă pe pante.
- Mergeți, nu alergați niciodată cu mașina.
- Pentru mașini rotative pe roți, lucrați transversal pe pante, niciodată în sus și în jos.
- Fiți foarte atent când schimbați direcția pe pante.
- Nu lucrați pe pante excesiv de înclinate.
- Fiți foarte atent când schimbați sensul sau când trageți mașina către dumneavoastră.
- Nu schimbați setările regulatorului de motor sau să supraturați motorul.
- Porniți motorul cu atenție, conform instrucțiunilor fabricantului și cu picioarele la distanță de sculă.
- Nu puneți niciodată mâinile sau picioarele în apropiere sau sub piesele în mișcare.
- Nu ridicați sau să deplasați o mașină în timp ce motorul este în funcțiune.

RO

UTILIZAREA PE O PANTĂ:

Pantele sunt un factor major în accidentele datorate alunecărilor și căderilor, care pot rezulta în răni grave. Mențineți întotdeauna o poziție stabilă pe pante. Funcționarea pe pante necesită grijă suplimentară. Dacă nu vă simțiți în siguranță pe o pantă, nu o lucrați pe pantă.

- Atenție la găuri, brazde, pietre, obiecte ascunse sau denivelări care v-ar putea face să cădeți sau să vă împiedicați. Iarba înaltă poate ascunde obstacole.

DEPANARE

- Apelați numai la o persoană calificată pentru a vă repara scula electrică utilizând numai piese de schimb identice. Astfel se asigură menținerea nivelului de siguranță al sculei electrice.
- Nu efectuați niciodată operații de service asupra seturilor de acumulatori avariati. Depanarea acumulatorilor trebuie să fie efectuată numai de producător sau de prestatorii autorizați de servicii.

⚠ AVERTISMENT: Citiți toate instrucțiunile, avertizările de siguranță, ilustrațiile și specificațiile livrate împreună cu această sculă electrică.

Nerespectarea tuturor instrucțiunilor enumerate mai jos se poate solda cu șoc electric, incendiu și/sau vătămare corporală gravă. Păstrați toate avertizările și instrucțiunile pentru consultare ulterioară.

- Utilizați numai seturile de acumulatori și încărcătorii din fig.A.

RO

PĂSTRAȚI ACESTE INSTRUCȚIUNI

SPECIFICAȚII

Diametru tambur perie rotativă	250mm
Culoar de curățare	560mm
Temperatură de funcționare recomandată	-15°C -40°C
Temperatură de depozitare recomandată	-20°C-70°C
Greutate (inclusiv cu apărătoare)	5,05 kg
Nivel de putere sonoră măsurată L_{WA}	91,4 dB(A) K=2,02 dB(A)
Nivel de presiune sonoră la urechea operatorului L_{PA}	82,8 dB(A) K=2,5 dB(A)
Nivel de putere acustică garantat L_{WA} (măsurat în conformitate cu 2000/14/CE)	93 dB(A)

Valoarea vibrațiilor a_n	Mâner frontal de susținere	0,46 m/s ² K= 1,5 m/s ²
	Mâner posterior	1,43 m/s ² K= 1,5 m/s ²

- Parametrii de mai sus sunt testați și măsurați când scula este echipată cu capul de alimentare PH1400E.
- Valoarea totală declarată a vibrațiilor a fost măsurată în conformitate cu o metodă standard de testare și poate fi utilizată pentru compararea sculelor între ele;
- Valoarea totală declarată poate fi utilizată în evaluarea preliminară a expunerii.

OBSERVAȚIE: Vibrațiile emise în timpul utilizării efective a sculei electrice pot diferi față de valoarea celor declarate pentru scula utilizată; Pentru protejarea operatorului, utilizatorul trebuie să poarte mănuși și protecții auditive în timpul utilizării efective a produsului.

LISTA COMPONENTELOR

DENUMIREA PIESELOR	CANTITATE
Accesoriu perie rotativă	1
Tambur de săpare	2
Arbore de acționare	2
Apărătoare (cu șurub)	1
Cheie hexagonală	1
Știft de prindere	2
Știft de blocare	2
Manual de utilizare	1

DESCRIERE

DESCRIEREA ACCESORIULUI DUMNEAVOASTRĂ PERIE ROTATIVĂ (Fig. A)

- Dop
- Tijă accesoriu perie rotativă
- Apărătoare
- Tambur de săpare
- Cutie de viteze
- Știft de prindere
- Cheie hexagonală

ASAMBLAREA

⚠️ AVERTISMENT: Dacă unele piese sunt deteriorate sau lipsesc, nu utilizați acest produs până la înlocuirea pieselor. Utilizarea acestui produs cu piese deteriorate sau lipsă s-ar putea solda cu vătămări grave.

⚠️ AVERTISMENT: Nu încercați să modificați acest produs sau să creați accesorii nerecomandate pentru a fi utilizate cu această mașină. Orice astfel de modificare sau schimbare reprezintă o utilizare necorespunzătoare și se poate solda cu condiții periculoase care pot conduce la posibile vătămări grave.

⚠️ AVERTISMENT: Pentru a preveni pornirea accidentală care ar putea provoca vătămări grave, scoateți întotdeauna conectorul acumulatorului din priză când asamblați componente.

⚠️ AVERTISMENT: Nu conectați accesoriul perie rotativă la capul de alimentare dacă asamblarea nu este terminată. Nerespectarea acestei instrucțiuni poate duce la pornirea accidentală și la eventuale accidentări grave.

MONTAREA APĂRĂTORII

AVERTISMENT: Instalați apărătoarea înainte ca accesoriul perie rotativă să fie conectat la capul de alimentare.

- Slăbiți și îndepărtați șurubul de pe apărătoare cu ajutorul cheii hexagonale furnizate (Fig. B).
- Ridicați tija accesoriului perie rotativă și îndepărtați dopul de pe tijă.
- Aliniați fanta de pe apărătoare cu proeminența de pe capătul tijei, treceți apărătoarea prin tijă până când orificiile șuruburilor de pe apărătoare și de pe tijă sunt aliniate (Fig. C).

Fig. C & D pentru descrierea componentelor consultați tabelul de mai jos:

C-1	Fantă
C-2	Proeminență
D-1	Șurub

- Utilizați cheia hexagonală furnizată pentru a strânge șurubul în sensul acelor de ceas și a bloca bine apărătoarea.

MONTAREA TAMBURULUI PERIEI ROTATIVE

- Împingeți arborele de acționare pe tija de acționare (Fig.E). Pentru descrierea pieselor din Fig. E, consultați mai jos:

E-1	Tijă de acționare
-----	-------------------

E-2	Arbore de acționare
-----	---------------------

- Pentru a atașa arborele de acționare pe tija de acționare, introduceți știftul de blocare în orificiul de blocare.

OBSERVAȚIE: Știftul de blocare trebuie instalat în locul său (Fig.F).

Pentru descrierea pieselor din Fig. F, consultați mai jos:

F-1	Știft de blocare
F-2	Orificiul de blocare

- Urmați aceiași pași pentru a monta și celălalt arbore de acționare.
- Împingeți tamburul periei rotative în arborele de acționare (Fig.G).

Pentru descrierea pieselor din Fig. G, consultați mai jos:

G-1	Tambur de săpare
G-2	Arbore de acționare

- Introduceți știftul de prindere în orificiul din capăt pentru a fixa peria rotativă de arborele de acționare (Fig.H).

Pentru descrierea pieselor din Fig. H, consultați mai jos:

H-1	Știft de prindere
-----	-------------------

- Urmați aceiași pași și pentru celălalt tambur de săpare.

CONECTAREA ACCESORIULUI PERIE ROTATIVĂ LA CAPUL DE ALIMENTARE

⚠️ AVERTISMENT: Niciodată nu instalați, îndepărtați sau ajustați vreun dispozitiv în timp ce capul de alimentare este în funcțiune sau dacă acumulatorul este instalat. Neoprirea motorului și neîndepărtarea acumulatorului se pot solda cu răni personale grave.

Acest accesoriu perie rotativă este conceput pentru a fi utilizat cu Capul de alimentare EGO Power PH1400E.

- Opriiți motorul și scoateți setul de acumulatori.
- Slăbiți șurubul cu cap de fluture de pe racordul capului de alimentare.
- Dacă dopul se află pe tija accesoriului, îndepărtați-l și păstrați-l într-un loc sigur pentru utilizări ulterioare.

Aliniați săgeata de pe tija periei rotative cu săgeata de pe racord (Fig. I) și împingeți tija periei rotative în racord până la azul unui declic (Fig. J).

Pentru descrierea pieselor din Fig. I, consultați mai jos:

I-1	Buton de eliberare tijă
I-2	Săgeată de pe racord
I-3	Piuliță fluture
I-4	Săgeată de pe tija accesoriului
I-5	Linie roșie

Pentru descrierea pieselor din Fig. J, consultați mai jos:

J-1	Linie roșie
-----	-------------

4. Trageți ușor de tija periei rotative pentru a vă asigura că aceasta este bine blocată în racord. În caz contrar, rotiți tija periei rotative înainte și înapoi în racord până la auzul unui clic clar ce indică anclanșarea acesteia.
5. Apoi strângeți bine piulița fluture.

⚠️ AVERTISMENT: Asigurați-vă că piulița fluture de pe racord este bine strânsă înainte de a utiliza echipamentul; asigurați-vă periodic că este bine strânsă în timpul utilizării pentru evitarea rănilor grave.

DECONNECTAREA ACCESORIULUI DE CAPUL DE ALIMENTARE

1. Opriti motorul și scoateți setul de acumulatori.
2. Slăbiți piulița fluture.
3. Apăsând pe butonul de eliberare a tijei, trageți sau răsuciți tija periei rotative pentru a o scoate din racord și a o detașa de capul de alimentare.

RO

FUNCȚIONAREA

⚠️ AVERTISMENT: Nu permiteți ca familiarizarea cu acest produs să vă determine să fiți neatent. Amintiți-vă că o fracțiune de secundă de neatenție este suficientă pentru a provoca vătămări grave.

⚠️ AVERTISMENT: Purtați întotdeauna echipament de protecție oculară împreună cu echipament de protecție auditivă. Nerespectarea acestei instrucțiuni ar putea avea ca rezultat proiectarea în ochi a obiectelor și alte posibile vătămări grave.

⚠️ AVERTISMENT: Nu utilizați nicio componentă sau accesoriu care nu a fost recomandat de producătorul acestui produs. Utilizarea de accesorii nerecomandate se poate solda cu vătămări grave.

APLICAȚII

Puteți utiliza acest produs în scopul menționat mai jos:

- Curățarea spațiilor și a aleilor, inclusiv a suprafețelor denivelate și neuniforme.

- Curățarea căilor de acces acoperite cu pavaj/ciment/asfalt, a trotuarelor și a curțurilor.

⚠️ AVERTISMENT: Îmbrăcați-vă corespunzător pentru a reduce riscul de vătămare când utilizați această sculă. Nu purtați haine largi sau bijuterii. Purtați echipament de protecție oculară. Purtați pantaloni lungi rezistenți, cizme și mănuși. Nu purtați pantaloni scurți, sandale sau să stați desculț(ă).

Dacă suprafața ce urmează a fi curățată este uscată, udați-o cu apă pentru a reduce cantitatea de praf creată.

Ar trebui să lucrați cu perie rotativă îndreptată înainte. Țineți întotdeauna peria rotativă cu o mână pe mânerul posterior și cu cealaltă mână pe mânerul frontal de operare. Apucați ferm cu ambele mâini în timpul utilizării periei rotative.

Țineți și ghidați peria rotativă într-un unghi mic. Dacă peria rotativă este ținută într-un unghi prea mare, va avea tendința să împingă înspre operator.

Apucați cu fermitate și mențineți-vă echilibrul pe ambele picioare (Fig. K).

Materialele aruncate pot răni grav operatorul sau trecătorii. Pentru a reduce riscul de rănire, este esențial să respectați următoarele măsuri:

- Întotdeauna țineți peria rotativă cu fermitate cu ambele mâini în timpul utilizării. Apucați ferm ambele mâinere.
- Deplasați peria rotativă spre zona de lucru înainte de a porni și demarați-o la viteză mică.
- Pentru a reduce riscul de rănire rezultat în urma pierderii controlului, țineți și ghidați peria rotativă într-un unghi mic. Dacă peria rotativă este ținută într-un unghi prea mare, va avea tendința să împingă înspre operator.

Înainte de fiecare utilizări, verificați pentru depistarea pieselor uzate/avariate.

Verificați tamburul periei rotative, apărătoarea, mânerul frontal de operare și arborele de acționare și înlocuiți piesele care sunt fisurate, distorsionate, îndoite sau avariate în vreun fel.

Curățați peria rotativă după fiecare utilizare

Consultați secțiunea Întreținerea pentru instrucțiuni privind curățarea.

PORNIREA/OPRIREA SCULEI

Consultați secțiunea privind „PORNIREA/OPRIREA CAPULUI DE ALIMENTARE” din manualul de instrucțiuni al capului de alimentare PH1400E.

ÎNȚEȚINEREA

⚠️ AVERTISMENT: La depanare, utilizați numai piese de schimb identice. Utilizarea oricăror altor piese poate crea un pericol sau poate produce o deteriorare. Pentru siguranța și fiabilitatea produsului, toate reparațiile trebuie efectuate de către un tehnician de service autorizat.

⚠️ AVERTISMENT: Sculele electrice alimentate cu baterii nu trebuie să fie racordate la o priză electrică; de aceea, acestea sunt întotdeauna în stare de funcționare. Pentru prevenirea vătămărilor corporale grave, adoptați măsuri de siguranță suplimentare și de îngrijire când efectuați operații de întreținere, service sau înlocuiri accesoriile de tăiere sau alte accesorii.

⚠️ AVERTISMENT: Pentru prevenirea rănilor grave, detașați setul de acumulatori de capul de alimentare și așteptați ca tamburul periei rotative să se oprească înainte de efectuarea operațiilor de service, de curățarea, înlocuirea atașamentelor sau când produsul nu este utilizat.

ÎNȚEȚINERE GENERALĂ

⚠️ AVERTISMENT: Nu permiteți niciodată lichidelor de frână, benzinei, produselor petroliere, uleiurilor penetrante etc. să intre în contact cu piese din plastic. Substanțele chimice pot deteriora, pot slăbi sau pot distruge plasticul, ceea ce se poate solda cu vătămări grave.

⚠️ AVERTISMENT: Când curățați peria rotativă, NU o scufundați în apă sau în alte lichide. Nu curățați mașina cu aparatul de curățat cu presiune. Jetul puternic de apă riscă să avarieze componentele mașinii.

ÎNȚEȚINEREA TAMBURULUI PERIEI ROTATIVE

- Curățați frecvent tamburul periei rotative.
- Dacă vreunul dintre tamburii periei rotative trebuie înlocuit datorită uzurii, înlocuiți ambii tamburi pentru rezultate cât mai bune.

Toate operațiile de întreținere ale periei rotative, cu excepția celor înșirate în aceste instrucțiuni de întreținere, trebuie efectuate de personal de service autorizat.

ÎNLOCUIREA TAMBURILOR PERIEI ROTATIVE

⚠️ AVERTISMENT: Un tambur avariât riscă să se rupă după utilizare îndelungată, ceea ce ar putea genera proiectile periculoase. Obiectele ejectate pot cauza răni grave. Inspectați tamburul periodic și nu-l utilizați cu o piese uzate sau avariate.

Îndepărtarea (Fig. L)

1. Îndepărtați știftul de prindere de la capătul arborelui de acționare.
2. Scoateți peria rotativă, împreună cu dopul apărător, de pe arbore.
3. În cazul avarierii arborelui de acționare, scoateți știftul de blocare din orificiul de pe arborele de acționare și scoateți arborele din tijă (Fig. M).
4. În cazul care dopul apărător este avariât, scoateți-l de pe peria rotativă și înlocuiți-l.
5. Urmați aceiași pași pentru a îndepărta restul tamburilor.

Pentru descrierea pieselor din Fig. L, consultați mai jos:

L-1	Tijă de acționare	L-4	Știft de prindere
L-2	Știft de blocare	L-5	Placă apărătoare
L-3	Tambur de săpare	L-6	Arbore de acționare

Instalarea

1. Introduceți arborele de acționare în tija de acționare și introduceți știftul de blocare în orificiul din arborele de acționare (vezi Fig. F.).
2. Instalați dopul apărător pe peria rotativă cu proeminența de pe dop aliniată cu orificiul de pe peria rotativă (Fig. N).

Pentru descrierea pieselor din Fig. N consultați mai jos:

N-1	Orificiu
N-2	Proeminență

3. Împingeți tamburul pe arborele de acționare (consultați Fig. G).
4. Introduceți știftul de blocare în orificiul de la capătul arborelui de acționare și pliați-l să stea plat.
5. Urmați aceiași pași și pentru celălalt tambur de săpare.

⚠️ AVERTISMENT: Întotdeauna înlocuiți tamburii de săpare în același timp.

CURĂȚAREA UNITĂȚII

- Îndepărtați acumulatorul.
- Curățați bucățile de rădăcini, pământ înfundat sau plante de pe tamburi, apărătoare sau cutia de viteze. Pentru o curățare aprofundată, îndepărtați tamburii și apărătoarea pentru a le putea spăla bine. Pentru pași detaliați privind înlocuirea, vă rugăm consultați capitolul privind „ÎNLOCUIREA TAMBURILOR DE SĂPARE“.

RO

- Păstrați fantele de aerisire neobstrucționate.

DEPOZITAREA PRODUSULUI

- Detașați setul de acumulatori de pe sculă.
- Curățați scula bine și inspectați tamburii de săpare.
- Detașați peria rotativă de capul de alimentare și acoperiți tija accesoriului cu dopul pentru a se evita intrarea murdăriei în racord.
- Depozitați scula într-un loc uscat, bine ventilat, închis cu cheia sau la înălțime, inaccesibil copiilor. Nu depozitați produsul pe sau lângă fertilizanți, benzină sau alte chimicale.

Protejarea mediului înconjurător



Nu eliminați echipamentul electric, încărcătorul de acumulator și bateriile/acumulatorii împreună cu deșeurile menajere! Conform Directivei europene 2012/19/UE, echipamentele electrice și electronice care nu mai sunt utilizabile, și conform Directivei europene 2006/66/CE, seturile de acumulatori/bateriile defecte sau uzate trebuie colectate separat. Dacă aparatele electrocasnice sunt eliminate la groapa de gunoi sau la haldă, se pot scurge substanțe periculoase în pânza freatică și acestea pot intra în lanțul trofic, afectându-vă sănătatea și bunăstarea.

DEPANARE

PROBLEMĂ	CAUZĂ	SOLUȚIE
Peria rotativă nu pornește.	<ul style="list-style-type: none"> ■ Setul de acumulatori nu este atașat corect de capul de alimentare. ■ Nu există contact electric între capul de alimentare și setul de acumulatori. ■ Setul de acumulatori este descărcat. ■ Maneta de blocare și trăgaciul de pe capul de alimentare nu sunt apăstate simultan. ■ Tot nu pornește în afara motivelor enumerate mai sus. 	<ul style="list-style-type: none"> ■ Atașați setul de acumulatori de capul de alimentare. ■ Îndepărtați acumulatorul, verificați contactele și reinstalați setul de acumulatori până când acesta se anclanșează în poziție. ■ Încărcați acest set de acumulatori cu încărcătorul EGO menționat în acest manual. ■ Apăsăți maneta de blocare și țineți-o apăsată, după care apăsați trăgaciul declanșator pentru a porni produsul. ■ Contactați Serviciul de clienți EGO.
Peria rotativă este evident avariata.	<ul style="list-style-type: none"> ■ Avarie anormală survenită în timpul transportării sau utilizării. 	<ul style="list-style-type: none"> ■ Contactați Serviciul de clienți EGO.
Peria rotativă se oprește în timpul funcționării.	<ul style="list-style-type: none"> ■ Motorul este suprasolicitat. ■ Setul de acumulatori sau capul de alimentare sunt prea fierbinți. ■ Setul de acumulatori este deconectat de la sculă. ■ Setul de acumulatori este descărcat. ■ Tot nu pornește în afara motivelor enumerate mai sus. 	<ul style="list-style-type: none"> ■ Motorul își va reveni după ce sarcina este îndepărtată. Pentru lucru continuu, diminueți sarcina periei rotative. ■ Lăsați setul de acumulatori sau capul de alimentare să se răcească până când temperatura scade sub 67°C. ■ Reinstalați setul de acumulatori. ■ Încărcați acest set de acumulatori cu încărcătorul EGO menționat în acest manual. ■ Contactați Serviciul de clienți EGO.

RO

GARANȚIE

POLITICA PRIVIND GARANȚIA EGO

Vă rugăm să consultați site-ul egopowerplus.com pentru termenii și condițiile complete ale politicii privind garanția EGO.

PREBERITE VSA NAVODILA!



PREBERITE SI PRIROČNIK ZA UPORABO

⚠ Tveganje zaradi preostalega toka! Pred uporabo izdelka se morajo osebe z elektronskimi napravami, kot je srčni spodbujevalnik, posvetovati s svojim zdravnikom. Delovanje električne opreme v bližini srčnega spodbujevalnika lahko povzroči motnje ali okvaro srčnega spodbujevalnika.

⚠ OPOZORILO: Za zagotovitev varnosti in zanesljivosti mora vsa popravila in zamenjave izvesti usposobljen servisni tehnik.

VARNOSTNI SIMBOL

Namen varnostnih simbolov je, da vas opozorijo na morebitne nevarnosti. Bodite pozorni na varnostne simbole in njihova pojasnila ter jih poskušajte razumeti. Opozorilni simboli sami ne odpravljajo nobene nevarnosti. Navodila in opozorila niso nadomestilo za ustrezne ukrepe za preprečevanje nesreč.

⚠ OPOZORILO: poskrbite, da boste pred uporabo orodja prebrali in razumeli vsa varnostna navodila v priročniku z navodili za uporabo, vključno z vsemi simboli za varnostna opozorila, kot so »NEVARNOST«, »OPOZORILO«, in »SVARILO«. Neupoštevanje spodaj navedenih navodil se lahko odrazi v električnem udaru, požaru in/ali resnih telesnih poškodbah.

SL

POMEN SIMBOLA

⚠ SIMBOL VARNOSTNEGA OPOZORILO: Označuje NEVARNOST, OPOZORILO ALI PREVIDNOST in se lahko uporablja skupaj z drugimi simboli ali piktogrami.



⚠ OPOZORILO: Delovanje katerega koli električnega orodja lahko povzroči metanje tujkov v vaše oči, kar lahko povzroči resne poškodbe očesa. Pred začetkom dela z električnim orodjem vedno nosite zaščitna ali varnostna očala s stranskimi zaščitami in po potrebi tudi zaščito za celoten obraz. Priporočamo vam uporabo varnostne maske Wide Vision Safety Mask za uporabo prek očal ali standardnih varnostnih očal s stransko zaščito.

VARNOSTNA NAVODILA

Na tej strani so prikazani in opisani varnostni simboli, ki se lahko pojavijo na tem izdelku. Preberite in osvojite navodila na stroju ter jih upoštevajte, preden se lotite sestavljanja in upravljanja stroja.

	Varnostno opozorilo	Označuje morebitno nevarnost za telesne poškodbe.
	Preberite si priročnik za uporabo	Za zmanjšanje nevarnosti telesnih poškodb je pomembno, da si uporabnik pred uporabo naprave prebere in razume priročnik za upravljanje.
	Nosite zaščito za oči	Pri upravljanju tega izdelka vedno nosite zaščitna očala ali varnostna očala s stransko zaščito in zaščito za celoten obraz.
	Prisotni naj bodo varno oddaljeni	Opazovalci naj bodo na varni razdalji od stroja
	Nosite zaščitne rokavice.	Pri rokovanju z rezili roke zaščitite z rokavicami. Robustne in protizdrsne rokavice izboljšajo vaš prijem in zaščitijo vaše dlani.
	Nosite zaščitno obutev.	Pri uporabi te opreme nosite nedrsečo zaščitno obutev.
	Odboj	Izvrženi predmeti se lahko odbijejo in povzročijo telesno poškodbo ali poškodbo lastnine.
	Ne izpostavljajte dežju.	Naprave ne uporabljajte v dežju ali je puščajte zunaj, ko dežuje.
	CE	Ta izdelek je skladen z veljavnimi direktivami ES.
	Odpadna električna in elektronska oprema (OEEO)	Odpadnih električnih izdelkov ne odlagajte med gospodinjinske odpadke. Odnosite jih na pooblaščen obrat za recikliranje.
	Hrup	Zajamčena raven zvočne moči. Emisije hrupa v okolico so v skladu z direktivo Evropske skupnosti.
V	Volt	Napetost
mm	Millimeter	Dolžina ali velikost
kg	Kilogram	Teža

SPLOŠNA VARNOSTNA OPOZORILA ZA ELEKTRIČNA ORODJA

⚠ OPOZORILO! Preberite vsa varnostna opozorila, navodila, slike in tehnične podatke, ki so priloženi temu električnemu orodju. Zaradi neupoštevanja spodaj navedenih navodil lahko pride do električnega udara, požara in/ali hudih telesnih poškodb.

Vsa opozorila in navodila shranite za kasnejšo uporabo.

VARNOST DELOVNEGA OBMOČJA

- Delovno območje naj bo čisto in dobro osvetljeno. V neurejenih in temnih območjih se rade zgodijo nesreče.
- Električnega orodja ne upravljajte v eksplozivnih okoljih, kot je ob prisotnosti vnetljivih tekočin, plinov ali prahu. Električno orodje ustvarja iskre, ki lahko povzročijo vžig prahu ali hlapov.
- Med uporabo električnega orodja v bližino ne pustite otrok in drugih ljudi. Zaradi motenj lahko izgubite nadzor.

ELEKTRIČNA VARNOST

- Orodja ne izpostavljajte dežju ali vlažnim vremenskim pogojem. Če v električno orodje zaide voda, obstaja večja možnost električnega udara.

OSEBNA VARNOST

- Med uporabo električnega orodja bodite pozorni, spremljajte potek dela in uporabljajte zdrav razum. Električnega orodja ne uporabljajte, kadar ste utrujeni ali pod vplivom drog, alkohola ali zdravil. Trenutek nepazljivosti med uporabo električnega orodja lahko povzroči hude telesne poškodbe.
- Uporabljajte osebno zaščitno opremo. Osebna zaščitna oprema, kot so zaščita za oči, maska proti prahu, obutev z nedrsečim podplatom, trdno pokrivalo glave in/ali zaščita za sluh, za ustrezne pogoje dela zmanjšuje možnost telesnih poškodb.
- Preprečite neželen zagon. Pred priklopom napajanja in/ali baterijskega sklopa, pred dvigovanjem ali nošenjem orodja se prepričajte, da je stikalo v položaju za izklop. Prenašanje električnih orodij s prstom na stikalu ali dovajanje napajanja električnim orodjem, pri katerih je stikalo v položaju za vklop, poveča tveganje nesreč.
- Pred vklopom električnega orodja odstranite morebitne nastavitvene ključe ali izvijače. Izvijač ali ključ, ki je pritrjen na vrtljivi del električnega orodja, lahko povzroči telesne poškodbe.

- Ne stegujte se preveč. Pazite, da stojite stabilno in imate ravnotežje. To omogoča boljši nadzor nad električnim orodjem v nepričakovanih situacijah.
- Bodite primerno oblečeni. Ne nosite ohlapnih oblačil ali nakita. Pazite, da lasje, oblačila in rokavice ne pridejo v bližino gibljivih delov. Ohlapna oblačila, nakit ali dolgi lasje se lahko zapletejo v gibljive dele.
- Če imate na voljo naprave za sesanje in zbiranje prahu, preverite, ali so priključene in ali se ustrezno uporabljajo. Uporaba naprav za odstranjevanje prahu lahko zmanjša nevarnosti, povezane s prahom.
- Čeprav dobro poznate orodje zaradi pogoste uporabe, ne postanite ravnodušni in ne prezirajte varnostnih načel orodja. Nepazljivost pri uporabi lahko povzroči hude telesne poškodbe v delcu sekunde.

UPORABA IN NEGA ELEKTRIČNEGA ORODJA

- Električnega orodja ne preobremenjujte. Uporabite električno orodje, ki ustreza vašemu delu. Ustrezno električno orodje bo nalogo opravilo bolje in varneje pri zmogljivosti, za katero je bilo zasnovano.
- Ne uporabljajte električnega orodja, če ga ni mogoče vklopiti ali izklopiti s stikalom. Kakršno koli električno orodje, ki ga ni mogoče nadzirati s stikalom, je nevarno in ga je potrebno popraviti.
- Pred odstranjevanjem zagozdenega materiala, kakršnim koli nastavljanjem, zamenjavo dodatkov, čiščenjem ali shranjevanjem električnih orodij odstranite akumulator, če ga je mogoče odstraniti, iz električnega orodja in/ali aktivirajte morebitno napravo za onemogočanje akumulatorja. Takšni preventivni varnostni ukrepi zmanjšajo tveganje za nenamerni zagon orodja.
- Električna orodja, ki niso v uporabi, shranjujte izven dosega otrok in ne dovolite, da bi električno orodje uporabljale osebe, ki niso seznanjene z električnim orodjem ali s temi navodili. Električno orodje je v rokah neusposobljenih uporabnikov nevarno.
- Električna orodja in dodatke redno vzdržujte. Preverite morebitno neopreanost ali povezavo premikajočih se delov, zlome delov ali morebitno drugačno stanje, ki bi lahko vplivalo na delovanje električnega orodja. Če je električno orodje poškodovano, ga pred ponovno uporabo nesite na popravilo. Do veliko nesreč pride zaradi slabo vzdrževanih električnih orodij in dodatkov.
- Rezalna orodja naj bodo vedno nabrušena in čista. Pravilno vzdrževana rezalna orodja z ostrimi rezili se težje zaskočijo in jih je lažje nadzirati.

SL

- **Električno orodje, dodatke in dele orodja itd. uporabljajte v skladu s temi navodili, pri tem pa upoštevajte delovne pogoje in delo, ki ga boste opravljali.** Če boste električno orodje uporabljali za neustrezne namene, lahko pride do nevarnih situacij.
- **Ročaji in prijemna površina naj bodo suhi, čisti in brez madežev olja ali masti.** Drseči ročaji in prijemne površine ne omogočajo varnega ravnanja in nadzorovanja orodja v nepričakovanih situacijah.

UPORABA IN VZDRŽEVANJE BATERIJSKEGA ORODJA

- Baterijo polnite le s polnilnikom, ki ga določa proizvajalec. Polnilnik, ki ustreza eni vrsti baterijskega sklopa, morda lahko povzroči požar, če z njim polnite drugo vrsto baterijskega sklopa.
- Baterijska orodja uporabljajte samo s predpisano vrsto baterij. Uporaba katerih koli drugih baterijskih sklopov lahko povzroči tveganje poškodb in požara.
- Ko baterijski sklop ni v uporabi, ga hranite ločeno od kovinskih predmetov, kot so sponke za papir, kovanci, ključi, žebliji, vijaki ali drugi majhni kovinski predmeti, ki lahko povzročijo stik med enim in drugim terminalom. Kratek stik zaradi povezanih terminalov baterije lahko povzroči opeklino ali požar.
- Ob zlorabi baterije lahko iz nje steče tekočina. Če se nehote dotaknete tekočine, mesto dotika sperite z vodo. Če pride tekočina v stik z očmi, poiščite zdravstveno pomoč. Tekočina, ki izteče iz baterije, lahko povzroči vnetje ali opeklino.
- Baterijskega sklopa ali orodja, ki je poškodovano ali spremenjeno, ne uporabljajte. Poškodovane ali spremenjene baterije se lahko nepredvidljivo vedejo, kar lahko povzroči požar, eksplozijo ali tveganje telesnih poškodb.
- Baterijskega sklopa ali orodja ne izpostavljajte ognju ali previsokim temperaturam. Izpostavljenost ognju ali temperaturam nad 100 °C lahko povzroči eksplozijo.

Upoštevajte vsa navodila za polnjenje in baterijskega sklopa oziroma orodja ne polnite izven temperaturnega razpona, navedenega v navodilih. Nepravilno polnjenje ali temperature izven navedenega razpona lahko poškodujejo baterijo in povečajo tveganje požara.

DRUGA VARNOSTNA OPOZORILA

Izobraževanje

- Pozorno preberite navodila. Seznanite se s kontrolniki in pravilno uporabo naprave.
- Nikoli ne dovolite, da napravo uporabljajo osebe, ki niso seznanjene s temi navodili, ali otroci. Lokalni predpisi morda omejujejo starost upravljavca.

- Naprave ne uporabljajte, če so v bližini ljudi, zlasti otroci, ali pa domače živali.
- Ne pozabite, da je upravljavca ali uporabnik orodja odgovoren za nevarnosti ali tveganja za druge ljudi in lastnino, do katerih lahko pride.

Priprava

- Med delom vedno nosite ustrezno obutev in dolge hlače. Opreme ne upravljajte bos ali v odprtih sandalih.
- Površino, na kateri boste uporabljali opremo, temeljito pregledajte in odstranite vse predmete, ki jih lahko stroj izvrže.
- Pred uporabo orodje pregledajte za obrabo ali poškodbe. Obrabljene ali poškodovane elemente in sornike zamenjajte v sklopih, da ohranite ravnovesje.

Delovanje

- Stroja ne uporabljajte v zaprtem prostoru, kjer lahko pride do kopičenja nevarnih hlapov ogljikovega monoksida.
- Delajte le podnevi ali ob dobri umetni svetlobi.
- Pri uporabi na pobočjih vedno pazite na ravnotežje.
- S strojem vedno hodite, nikoli ne tecite.
- Z rotacijskih strojih na kolesih delajte poševno glede na pobočje, nikoli navzgor in navzdol.
- Pri menjavanju smeri na pobočjih bodite izredno previdni.
- Ne delajte na preveč strmih pobočjih.
- Pri vzratnem premikanju ali ob potegu stroja proti sebi bodite izjemno previdni.
- Ne spreminjajte nastavitve krmilnika motorja ali prekoračite hitrosti motorja.
- Motor zaženite previdno v skladu z navodili proizvajalca in s stopali dovolj odmaknjenimi od orodja.
- Roke in stopala držite stran od vrtečih se delov.
- Medtem ko motor teče, stroja ne dvigujte in ne nosite.

UPRAVLJANJE NA POBOČJU:

Pobočja predstavljajo velik faktor pri nastanku nesreč zaradi zdrsa in padca, ki lahko vodijo v resne telesne poškodbe. Pri uporabi na pobočjih vedno pazite na ravnotežje. Uporaba na pobočjih zahteva dodatno previdnost. Če na pobočju niste sproščeni, stroja tam ne uporabljajte.

- Pazite na luknje, skale, skrite predmete ali izbokline, zaradi katerih lahko zdrsnete ali se obnje spotaknete. Visoka trava lahko skriva ovire.

SERVIS

- **Električno orodje naj servisira usposobljeno servisno osebje, ki uporablja le enake nadomestne dele.** To bo zagotovilo ohranjanje varnosti električnega orodja.

- **Nikoli ne popravljajte poškodovanih baterijskih sklopov.** Baterijske sklope lahko popravi le proizvajalec ali pooblaščen izvajalec storitev.

⚠ OPOZORILO: Preberite vsa varnostna opozorila, navodila, slike in tehnične podatke, ki so priloženi temu električnemu orodju. Zaradi neupoštevanja spodaj navedenih navodil lahko pride do električnega udara, požara in/ali hudih telesnih poškodb. Vsa opozorila in navodila shranite za kasnejšo uporabo.

- Napravo uporabljajte le z akumulatorskimi baterijami in polnilniki, navedenimi v sliki A.

NAVODILA SHRANITE.

TEHNIČNI PODATKI

Premer valja krtače	250 mm	
Širina čiščenja	560 mm	
Priporočena obratovalna temperatura	Od -15°C do 40°C	
Priporočena temperatura za shranjevanje	Od -20 °C do 70 °C	
Teža (vključno z varovalom)	5,05 kg	
Izmerjena raven zvočne moči L_{WA}	91,4 dB(A) K = 2,02 dB(A)	
Raven zvočnega tlaka v ušesu upravljavca L_{PA}	82,8 dB(A) K = 2,5 dB(A)	
Zajamčena raven zvočnega tlaka L_{WA} (izmerjeno v skladu z Direktivo 2000/14/ES)	93 dB(A)	
Vrednotenje oddajanja vibracij a_n	Nastavljiv sprednji ročaj za prijem	0,46 m/s ² K = 1,5 m/s ²
	Zadnji ročaj	1,43 m/s ² K = 1,5 m/s ²

- Zgornji parametri so preskušeni in izmerjeni z nameščenim pogonsko enoto PH1400E.
- Nazivna skupna vrednost tresljajev je bila izmerjena v skladu s standardno preskusno metodo in jo je mogoče uporabiti za primerjavo enega orodja z drugim.
- Nazivno skupno vrednost tresljajev je mogoče uporabiti tudi za predhodno oceno izpostavljenosti.

OPOMBA: oddajanje tresljajev med dejansko uporabo električnega orodja se lahko razlikuje od nazivne vrednosti, v kateri se uporablja orodje. Upravljavca se lahko zaščiti tako, da uporablja rokavice in naušnike, primerne dejanskim pogojem uporabe.

SEZNAM VSEBINE

IME DELA	KOLIČINA
Priključek s ščetinasto krtačo	1
Valj s krtačo	2
Pogonska os	2
Varovalo (s sornikom)	1
Imbus ključ	1
Pritrdilni zatič	2
Zaklepni zatič	2
Priročnik za uporabo	1

OPIS

SPOZNAJTE SVOJ PRIKLJUČEK S ŠČETINASTO KRTAČO (slika A)

1. Pokrovček
2. Gred priključka s ščetinasto krtačo
3. Varovalo
4. Valj s krtačo
5. Menjalnik
6. Pritrdilni zatič
7. Imbus ključ

SESTAVLJANJE

⚠ OPOZORILO: Če so deli poškodovani ali manjkajo, orodja ne uporabljajte, dokler ne zamenjate delov. Če ta izdelek uporabljate s poškodovanimi ali manjkajočimi deli, lahko pride do hudih telesnih poškodb.

⚠ OPOZORILO: Tega izdelka ne spreminjajte in ne izdelujte dodatkov, ki niso priporočeni za uporabo s to napravo. Vsako tako spreminjanje ali predelava se šteje za napačno uporabo in povzroči tveganja, ki lahko povzročijo hude telesne poškodbe.

⚠ OPOZORILO: Pri nameščanju delov vedno izključite baterijski priključek iz vtičnice, da preprečite nenamerni zagon, ki bi lahko povzročil hudo telesno poškodbo.

⚠ OPOZORILO: Ščetinaste krtače ne priključite na pogonsko glavo do zaključka montaže. V nasprotnem primeru se izdelek lahko nenamerno vklopi in povzroči hude telesne poškodbe.

SL

NAMEŠČANJE VAROVALA

⚠ OPOZORILO: Varovalo namestite preden je priključek s ščetinasto krtačo priključen na pogonsko glavo.

1. S priloženim imbus ključem iz varovala odvijte in odstranite somik (slika B).
2. Dvignite gred priključka s ščetinasto krtačo in iz gredi odstranite pokrovček.
3. Režo v varovalu poravnajte z rebrom na koncu gredi, nato pa varovalo potisnite skozi gred, dokler odprtine za vijake v varovalu niso poravnane z odprtinami v gredi (sliki C in D).

Sliki C in D: za opis delov glejte spodaj:

C-1	Reža
C-2	Rebro
D-1	Somik

4. S pomočjo priloženega imbus ključa somik privijte v smeri urinega kazalca, da varovalo varno zaklenete.

NAMEŠČANJE VALJEV S KRTAČO

1. Pogonsko os potisnite na gnano gred (slika E).

Slika E: za opis delov glejte spodaj:

E-1	Gnana gred
E-2	Pogonska os

2. Pogonsko os zavarujte na gnano gred, tako da zaklepni zatič vstavite v zaklepno odprtino.

SL OPOMBA: zaklepni zatič mora biti nameščen na mestu (slika F).

Slika F: za opis delov glejte spodaj:

F-1	Zaklepni zatič
F-2	Zaklepna odprtina

3. Za namestitev druge pogonske osi sledite istim korakom.
4. Valj s krtačo potisnite na pogonsko os (slika G). Oglejte si spodnjo sl. G z opisi delov:

G-1	Valj s krtačo
G-2	Pogonska os

5. Pritrdilni zatič vstavite v odprtino na koncu, tako da valj s krtačo zavarujete na pogonsko os (slika H). Slika H: za opis delov glejte spodaj:

H-1	Pritrdilni zatič
-----	------------------

6. Za namestitev drugega valja s krtačo sledite istim korakom.

NAMESTITEV PRIKLJUČKA S ŠČETINASTO KRTAČO NA POGONSKO GLAVO

⚠ OPOZORILO: Nikoli ne priključujte ali prilagajajte priključkov, če pogonska glava deluje oz. je baterija nameščena. Če ne zaustavite motorja in odstranite baterije, lahko pride do hudih telesnih poškodb.

Ta priključek s ščetinasto krtačo je zasnovan za uporabo s pogonsko glavo EGO PH1400E.

1. Ustavite motor in odstranite baterijski sklop.
2. Odvijte krilno matico na spojniku pogonske glave.
3. Če je pokrovček nameščen na priključni gredi, ga odstranite ter shranite na varno mesto za kasnejšo uporabo.

Puščico na gredi ščetinaste krtače poravnajte s puščico na spojniku (slika I) in gred ščetinaste krtače potisnite na spojnik, da zaslišite KLIK (slika J).

Slika I: za opis delov glejte spodaj:

I-1	Gumb za sprostitev gredi
I-2	Puščica na spojniku
I-3	Krilna matica
I-4	Puščica na priključni gredi
I-5	Rdeča črta

Oglejte si spodnjo sl. J z opisi delov:

J-1	Rdeča črta
-----	------------

4. Gred priključka s ščetinasto krtačo rahlo povlecite, da se prepričate, ali je čvrsto nameščena na spojniku. Če ni, gred ščetinaste krtače na spojniku premaknite nazaj in naprej, da zaslišite KLIK, ki nakazuje ustrezno namestitev.
5. Čvrsto privijte krilno matico.

⚠ OPOZORILO: pred uporabo opreme preverite, ali je krilna matica povsem privita na spojniku. Med uporabo opreme redno preverjajte, ali je vijak dovolj privit, da preprečite hude telesne poškodbe.

ODSTRANJEVANJE PRIKLJUČKA S POGONSKO ENOTE

1. Ustavite motor in odstranite baterijski sklop.
2. Odvijte krilno matico.
3. Pritisnite gumb za sprostitev gredi in gred priključka s ščetinasto krtačo izvlecite ali obrnite iz spojnika, da jo odstranite iz pogonske glave.

UPRAVLJANJE

⚠ OPOZORILO: Tudi če se dodobra seznanite s tem izdelkom, bodite pri ravnanju z njim pazljivi. Upoštevajte, da je samo delec sekunde, ko ste nepazljivi, dovolj, da pride do hude poškodbe.

⚠ OPOZORILO: Vedno nosite zaščito za oči in ušesa. Če tega ne storite, vam lahko v oči priletijo predmeti ali pride do drugih hudih poškodb.

⚠ OPOZORILO: Ne uporabljajte priključkov ali dodatkov, ki jih proizvajalec tega izdelka ne priporoča. Uporaba priključkov ali dodatkov, ki niso priporočeni, lahko povzroči hude telesne poškodbe.

NAMENI UPORABE

Ta izdelek lahko uporabljate za naslednje namene:

- čiščenje območij in poti, vključno z neravnimi in povezanimi površinami;
- čiščenje pločnika/betona/asfaltiranih dovozov, sprehajalnih poti in dvorišč.

⚠ OPOZORILO: za upravljanje tega orodja se primerno oblecite, da zmanjšate nevarnost poškodb. Ne nosite ohlapnih oblačil ali nakita. Uporabljajte zaščito za oči. Nosite robustne dolge hlače, škornje in rokavice. Ne nosite kratkih hlač, sandal in ne bodite bos.

Če je površina, ki jo boste čistili, suha, jo zmočite z vodo, da zmanjšate količino nastalega prahu.

Ščetinasto krtačo uporabljajte usmerjeno naprej. Ščetinasto krtačo držite z eno roko na zadnjem ročaju in z drugo roko na sprednjem ročaju. Med upravljanjem ščetinasto krtačo čvrsto držite z obema rokama.

Ščetinasto krtačo držite in upravljajte pod majhnim kotom. Če krtačo držite pod prevelikim kotom, ta potiska proti upravljavcu.

Ohranjajte čvrst prijem in ravnotežje na obeh stopalih (slika K).

Izvrženi materiali lahko resno poškodujejo upravljavca ali mimoidoče. Za zmanjšanje tveganja za telesne poškodbe je pomembno, da upoštevate naslednje previdnostne ukrepe:

- Pri upravljanju ščetinaste krtače slednjo vedno držite z obema rokama. Oba ročaja čvrsto držite.
- Ščetinasto krtačo pomaknite na delovno površino, šele nato jo zaženite pri nizki hitrosti.
- Da zmanjšate tveganje za telesne poškodbe zaradi izgube nadzora, ščetinasto krtačo držite in vodite pod majhnim kotom. Če krtačo držite pod prevelikim kotom, ta potiska proti upravljavcu.

Pred vsako uporabo napravo pregledjte za poškodovane/obrabljene dele

Pregledjte valj s krtačo, varovalo, sprednji ročaj in pogonsko os ter zamenjajte dele, ki so razpokani, zviti, upognjeni ali kakor koli poškodovani.

Po vsaki uporabi očistite ščetinasto krtačo.

Navodila za čiščenje najdete v razdelku »Vzdrževanje«.

ZAGON/ZAUSTAVITEV ORODJA

Glejte razdelek »ZAGON/ZAUSTAVITEV POGONSKE GLAVE« v uporabniškem priročniku pogonske glave PH1400E.

VZDRŽEVANJE

⚠ OPOZORILO: za popravila uporabljajte samo identične nadomestne dele. Uporaba drugih delov je tvegana in lahko poškoduje izdelek. Za zagotovitev varnosti in zanesljivosti mora vsa popravila izvesti usposobljen servisni tehnik.

⚠ OPOZORILO: baterijskih orodij ni treba priklopiti v električno vtičnico, zato so vedno v stanju delovanja. Da preprečite hude telesne poškodbe, bodite izjemno previdni pri vzdrževanju, servisiranju ali zamenjavi priključka za košnjo oziroma drugih priključkov.

⚠ OPOZORILO: da preprečite resno telesno poškodbo, pred servisiranjem, čiščenjem, zamenjavo priključkov oziroma kadar izdelek ni v uporabo odstranite baterijski sklop iz pogonske enote ter počakajte, da se valj s krtačo ustavi.

SPLOŠNO VZDRŽEVANJE

⚠ OPOZORILO: nikoli naj zavorna tekočina, gorivo, izdelki na osnovi naftnih derivatov, prodirajoče olje ne pridejo v stik s plastičnimi deli. Kemikalije lahko plastiko poškodujejo, oslabijo ali uničijo, kar lahko privede do hudih osebnih poškodb.

⚠ OPOZORILO: pri čiščenju priključka s ščetinasto krtačo NE potopite v vodo ali druge tekočine. Svojeaga stroja ne čistite s tlačnim čistilnikom. Močan curek vode lahko poškoduje dele stroja.

VZDRŽEVANJE VALJA S KRTAČO

- Valj s krtačo pogosto čistite.
- Če je treba kateri koli valj s krtačo zamenjati zaradi poškodbe, zamenjajte oba valja za boljše zmogljivost.

Vsa servisna dela na ščetinasti krtači, z izjemo elementov, navedenih v teh navodilih za vzdrževanje, mora opraviti pooblaščen servisno osebje.

SL

ZAMENJAVA VALJEV S KRTAČO

⚠ OPOZORILO: poškodovan valj s krtačo lahko po dolgi uporabi razpade na posamezne dele, zaradi česar lahko nastanejo nevarni izstrelki. Izvrženi predmeti lahko povzročijo resne telesne poškodbe. Valj s krtačo redno preverjajte in ga ne uporabljajte, če je kateri koli del obrabljen ali poškodovan.

Odstranjevanje (slika L)

1. Pritrdilni zatič odstranite s konca pogonske osi.
2. Valj s krtačo skupaj s pokrivno ploščo povlecite s pogonske osi.
3. Če je pogonska os poškodovana, zaklepni zatič odstranite iz odprtine v pogonski osi ter slednjo povlecite z gnane gredi (slika M).
4. Če je pokrivna plošča poškodovana, jo povlecite z valja s krtačo in jo zamenjajte.
5. Za odstranitev drugega valja s krtačo sledite istim korakom.

Slika L: za opis delov glejte spodaj:

L-1	Gnana gred	L-4	Pritrdilni zatič
L-2	Zaklepni zatič	L-5	Pokrivna plošča
L-3	Valj s krtačo	L-6	Pogonska os

Namestitev

1. Pogonsko os namestite na gnano gred in zaklepni zatič vstavite v odprtino na pogonski osi (slika F).
2. Pokrivno ploščo namestite na valj s krtačo, tako da bo rebro na pokrivni plošči poravnano z odprtino na valju s krtačo (slika N).

Slika N: za opis delov glejte spodaj:

N-1	Odprtina
N-2	Rebro

3. Valj s krtačo potisnite na pogonsko os (glejte sliko G).
4. Pritrdilni zatič vstavite v odprtino na koncu pogonske osi in jo zložite, da bo poravnana.
5. Za namestitev drugega valja s krtačo sledite istim korakom.

⚠ OPOZORILO: Vedno istočasno zamenjajte oba valja s krtačo.

ČIŠČENJE ENOTE

- Odstranite baterijo.
- Z valjev s krtačo, varovala ali menjalnika odstranite delčke korenin, nakopičeno umazanijo oziroma rastline. Za temeljito čiščenje odstranite valja s krtačo in ščitnik ter jih temeljito očistite. Za podrobne korake zamenjave glejte poglavje »ZAMENJAVA VALJEV KRTAČE«.

- Zračne odprtine ne smejo biti zamašene.

SHRANJEVANJE ENOTE

- Baterijski sklop odstranite z orodja.
- Orodje temeljito očistite in pregledajte valje s krtačo.
- Priključek s ščetinasto krtačo odstranite s pogonske glave in priključno gred pokrijte s pokrovčkom, da preprečite kopičenje umazanije v spojniku.
- Orodje shranjujte v suhem in dobro zračenem prostoru, ki ga je mogoče zakleniti ali je dvignjen, da je izven dosega otrok. Enote ne shranjujte na ali v bližini gnojil, bencina ali drugih kemikalij.

Varovanje okolja



Električne opreme, polnilnika za akumulator in akumulatorjev/akumulatorjev za polnjenje ne odvrzite med gospodinjne odpadke. V skladu z evropskim zakonom 2012/19/EU glede električne in elektronske opreme, ki ni več uporabna, in v skladu z evropskim zakonom 2006/66/ES glede pokvarjenih ali izrabljenih baterijskih sklopov/baterij, je treba baterije zbrati ločeno. Če električne naprave odvržete na smetišča, lahko nevarne snovi pronicajo v podtalnico in tako pridejo v prehranjevalno verigo, s čimer ogrozijo vaše zdravje in dobro počutje.

ODPRAVLJANJE TEŽAV

TEŽAVA	VZROK	REŠITEV
Ščetinasta krtača se ne vklopi.	<ul style="list-style-type: none"> ■ Baterijski sklop ni pravilno priključen na pogonsko glavo. ■ Med pogonsko glavo in baterijskim sklopom ni električnega stika. ■ Baterijski sklop je izpraznjen. ■ Vzvod za odklepanje in sprožilec pogonske glave nista bila pritisnjena hkrati. ■ Naprava se še vedno ne zažene zaradi drugih razlogov. 	<ul style="list-style-type: none"> ■ Baterijski sklop namestite na pogonsko glavo. ■ Odstranite baterijo, preverite kontakte in ponovno namestite baterijski sklop, tako da se zaskoči na mesto. ■ Baterijski sklop polnite z napajalnikom EGO, ki je naveden v tem priročniku. ■ Vzvod za odklepanje pritisnite in ga pridržite, nato pritisnite sprožilec za vklop. ■ Stopite v stik s storitvijo za kupce EGO.
Ščetinasta krtača je očitno poškodovana.	<ul style="list-style-type: none"> ■ Nenormalna poškodba med prevozom ali uporabo. 	<ul style="list-style-type: none"> ■ Stopite v stik s storitvijo za kupce EGO.
Ščetinasta krtača se med delom ustavi.	<ul style="list-style-type: none"> ■ Motor je preobremenjen. ■ Baterijski sklop ali pogonska glava je prevroča. ■ Akumulator ni povezan z orodjem. ■ Baterijski sklop je izpraznjen. ■ Naprava se še vedno ne zažene zaradi drugih razlogov. 	<ul style="list-style-type: none"> ■ Motor bo zopet deloval, ko boste odpravili obremenitev. Za neprekinjeno delovanje zmanjšajte obremenitev ščetinaste krtače. ■ Počakajte, da se baterijski sklop ali pogonska enota ohladi na temperaturo pod 67 °C. ■ Ponovno namestite akumulator. ■ Baterijski sklop polnite z napajalnikom EGO, ki je naveden v tem priročniku. ■ Stopite v stik s storitvijo za kupce EGO.

SL

GARANCIJA

GARANCIJSKA POLITIKA DRUŽBE EGO

Za popolne pogoje garancijske politike družbe EGO obiščite spletno mesto egopowerplus.com.

PERSKAITYKITE VISĄ INSTRUKCIJĄ!



SKAITYTI NAUDOJIMO INSTRUKCIJĄ

⚠ Liekamasis pavojus! Žmonėms, kuriems implantuoti elektroniniai prietaisai, pvz., širdies stimulatoriai, prieš pradėdami naudoti šį gaminį, reikia pasitarti su savo gydytoju (-ais). Arti širdies stimulatoriaus veikianti elektros įranga gali trikdyti širdies stimulatoriaus veikimą arba jį sugadinti.

⚠ ĮSPĖJIMAS: norint užtikrinti saugų ir patikimą gaminio naudojimą, visus remonto ir keitimo darbus turi atlikti kvalifikuotas techninės priežiūros specialistas.

SAUGOS SIMBOLIS

Saugos simbolių paskirtis – atkreipti dėmesį į galimus pavojus. Gerai susipažinkite su saugos simboliais bei jų paaiškinimais ir juos įsidėmėkite. Simbolių įspėjimai patys savaime negali apsaugoti nuo pavojų. Jais žymimi nurodymai ir įspėjimai neatstoja tinkamų nelaimingų atsitikimų prevencijos priemonių.

⚠ ĮSPĖJIMAS: Prieš pradėdami naudoti šį įrankį, perskaitykite visus šioje naudojimo instrukcijoje pateiktus saugos nurodymus, taip pat susipažinkite su visais saugos įspėjimaisiais simboliais, tokiais kaip **PAVOJUS**, **ĮSPĖJIMAS** ir **DĖMESIO** ir įsitikinkite, ar juos supratote. Nesilaikant visų toliau išdėstytų nurodymų galima patirti elektros smūgį, sukelti gaisrą ir (ar) sunkiai susižaloti.

LT

SIMBOLIO REIKŠMĖ

⚠ SAUGOS ĮSPĖJAMASIS SIMBOLIS: Reiškia **PAVOJŲ**, **ĮSPĖJIMĄ**, ar **ATSARGUMO PRIEMONES** ir gali būti panaudotas su kitais simboliais arba piktogramomis.



⚠ ĮSPĖJIMAS: bet koks elektrinis įrankis naudojimo metu gali išsviesti šiuokšles, kurios gali pataikyti į akis ir sunkiai jas sužaloti. Prieš pradėdami naudoti elektrinį įrankį, visada užsidėkite apsauginius akinius arba apsauginius akinius su šonine apsauga ir, jei reikia, visą veidą dengiantį skydelį. Rekomenduojame naudoti platų matymo lauką užtikrinančią apsauginę kaukę, dedamą ant akinių, arba standartinius apsauginius akinius su šonine apsauga.

SAUGOS NURODYMAI

Šiame puslapyje pavaizduoti ir aprašyti saugos simboliai, kurie gali būti nurodyti ant šio gaminio. Prieš bandydami surinkti ir naudoti įrenginį, perskaitykite visus ant jo pateiktus nurodymus, įsitikinkite, ar juos supratote, ir jais vadovaukitės.

	Saugos įspėjimas	Nurodo galimą susižalojimo pavojų.
	Skaityti naudojimo instrukciją	Kad sumažintų susižalojimo pavojų, naudotojas turi perskaityti naudojimo instrukciją ir įsitikinti, kad ją suprato.
	Užsidėti apsauginius akinius	Naudodami šį gaminį, visada užsidėkite apsauginius akinius arba apsauginius akinius su šonine apsauga ir visą veidą dengiantį skydelį.
	Neleiskite prisitarti pašaliniais asmenims	Pasirūpinkite, kad pašaliniai asmenys būtų nutolę saugiu atstumu
	Mūvėti apsaugines pirštines	Tvarkydami peilius apsaugokite rankas pirštinėmis. Tvirtomis neslidžiomis pirštinėmis galima geriau suimti ir apsaugoti rankas.
	Apsiauti apsauginę avalynę	Dirbdami su šiuo įrankiu apsiaukite neslidžią avalynę.
	Rikošetas	Išsviestos šiuokšlės gali atšokti ir sužaloti arba sugadinti turta.
	Nenaudoti lyjant lietai	Nenaudokite lyjant ir nepalikite lauke per lieta.
	CE	Šis gaminys atitinka taikomas EB direktyvas.
	WEEE	Elektros prietaisų atliekas draudžiama utilizuoti kartu su buitinėmis atliekomis. Nuvežkite įgiatam perdirbėjui.
	Triukšmas	Garantuojamas garso galios lygis. Triukšmo sklaida į aplinką atitinka Europos Bendrijos direktyvą.
V	Voltai	Įtampa
mm	Milimetrai	Ilgis arba dydis
kg	Kilogramai	Svoris

BENDRIEJI ELEKTRINIO ĮRANKIO SAUGOS NURODYMAI

⚠️ ĮSPĖJIMAS! Perskaitykite visus su šiuo elektriniu įrankiu pateiktus įspėjimus dėl saugos, instrukcijas, peržiūrėkite paveikslus ir specifikacijas. Nesilaikant visų toliau išdėstytų nurodymų galima patirti elektros smūgį, sukelti gaisrą ir (ar) sunkiai susižaloti.

Išsaugokite visas instrukcijas su įspėjimais, nes jų gali prireikti ateityje.

DARBO VIETOS SAUGA

- Darbo vieta turi būti švari ir gerai apšviesta. Jei darbo vieta netvarkinga ar blogai apšviesta, gali įvykti nelaimingas atsitikimas.
- Nedirbkite su elektriniu įrankiu sprogoje aplinkoje, pavyzdžiui, ten, kur yra degių skysčių, dujų arba dulkių. Elektriniai įrankiai gali kibirkščiuoti, o nuo kibirkščių gali užsidegti dulkės arba susikaupti garai.
- Dirbdami su elektriniu įrankiu, neleiskite artintis vaikams ir pašaliniais asmenims. Dėl dėmesio blaškymo galite nesuvaldyti įrankio.

ELEKTROSAUGA

- Saugokite elektrinius įrankius nuo lietaus ir drėgmės. Į elektrinio įrankio vidų patekus vandens padidėja elektros smūgio pavojus.

ASMENINĖ SAUGA

- Dirbdami su elektriniu įrankiu būkite budrus, stebėkite, ką darote, ir vadovaukitės sveika nuovoka. Nedirbkite su elektriniu įrankiu, jei esate pavargę arba vartojote narkotikus, alkoholį ar medikamentus. Dirbant su elektriniais įrankiais pakanka vienos neatidumo akimirkos ir galima sunkiai susižaloti.
- Visada naudokite asmenines apsaugos priemones. Naudojant asmenines apsaugos priemones, pvz., akių apsaugą, apsaugos nuo dulkių kaukę, neslystančius batus, apsauginį šalną ir (ar) klausos apsaugos priemones, rekomenduojamas dirbant tam tikromis sąlygomis, sumažėja pavojus susižaloti.
- Apsisaugokite nuo atsitiktinio įrankio išjungimo. Prieš jungdami prie maitinimo šaltinio ir (ar) sudėtinės baterijos, prieš įrankį keldami arba nešdami įsitikinkite, kad jungiklis yra išjungimo padėtyje. Nešant elektrinius įrankius uždėjus pirštą ant jungiklio arba netyčia įjungiant elektrinį įrankį su įjungtu jungikliu, gali įvykti nelaimingas atsitikimas.
- Prieš įjungdami elektrinį įrankį, patraukite į šalį visus reguliavimo raktus ir veržliarakčius. Elektrinio įrankio sukamojoje dalyje likus raktui ar veržliarakčiui galima susižaloti.

- Nesistenkite pasiekti pernelyg toli. Visada stovėkite tvirtai ir išlaikykite pusiausvyrą. Tuomet geriau suvaldysite elektrinį įrankį netikėtose situacijose.
- Dėvėkite tinkamus drabužius. Nedėvėkite laisvų drabužių ir nenešiokite laisvai kabančių papuošalų. Saugokite plaukus, drabužius ir pirštines nuo sukamųjų prietaiso dalių. Laisvus drabužius, papuošalus ar ilgus plaukus gali įtraukti besisukančios dalys.
- Jei yra įtaisai, skirti dulkių išsiurbimo ir surinkimo įtaisams prijungti, tinkamai juos prijunkite ir naudokite. Naudojant dulkių filtravimo įtaisus galima sumažinti kenksmingą dulkių poveikį.
- Dažnai naudodami įrankius pernelyg savimi nepasitikėkite ir nepraraskite budrumo, kad paisytumėte saugaus įrankio naudojimo taisyklių. Užtenka akimirkos, kad dėl neatsargaus veiksmo sunkiai susižalotumėte.

ELEKTRINIŲ ĮRANKIŲ NAUDOJIMAS IR PRIEŽIŪRA

- Elektrinio įrankio pernelyg nespauskite. Naudokite jūsų darbai tinkamą elektrinį įrankį. Veikdamas numatytoju greičiu, tinkamas elektrinis įrankis darba atlieka veiksmingiau ir saugiau.
- Nenaudokite elektrinio įrankio, jeigu jo negalima įjungti ar išjungti jungikliu. Bet koks elektrinis įrankis, kurio jungiklis neveikia, yra pavojingas, tad jį būtina sutaisyti.
- Prieš šalindami įstrigusias šiukšles, reguliuodami, keisdami priedus, valydami arba sandėliuodami elektrinius įrankius iš jų išimkite sudėtinę bateriją, jei ji išimama, ir (ar) įjunkite bet kokį baterijos atjungimo įtaisą. Tokios prevencinės saugos priemonės sumažina pavojų elektrinį įrankį atsitiktinai paleisti.
- Nenaudojamus elektrinius įrankius laikykite vaikams neprieinamoje vietoje. Su elektriniu įrankiu neleiskite dirbti asmenims, nesusipažinusiems su įrankiu arba šia instrukcija. Neapmokytų naudotojų naudojami elektriniai įrankiai kelia pavojų.
- Tinkamai prižiūrėkite elektrinius įrankius ir jų priedus. Patikrinkite, ar sukamos dalys išcentruotos ir nestringa, ar nėra sulūžusių dalių ir kitų sąlygų, galinčių turėti įtakos elektrinio įrankio veikimui. Jei elektrinis įrankis sugedęs, prieš naudodami jį suremontuokite. Daugelio nelaimingų atsitikimų priežastis yra netinkama elektrinių įrankių ir jų priedų priežiūra.
- Pjovimo įrenginiai turi būti aštrūs ir švarūs. Tinkamai prižiūrimi pjovimo įrankiai aštriais ašmenimis rečiau stringa ir lengviau valdomi.

- **Elektrinį įrankį, priedus, antgalius ir kitas dalis naudokite pagal šią instrukciją, atsižvelgdami į darbo sąlygas ir atliekamą darbą.** Naudojant elektrinius įrankius ne pagal paskirtį gali susidaryti pavojingos aplinkybės.
- Įrankių rankenos ir sugriebimo paviršiai turi būti sausi, švarūs ir neištepti alyva ar tepalu. Dėl slidžių rankenų ir sugriebimo paviršių įrankį sunku saugiai valdyti ir jis gali išsprūsti netikėtomis aplinkybėmis.

AKUMULIATORINIŲ ĮRANKIŲ NAUDOJIMAS IR PRIEŽIŪRA

- Įkraukite naudodami tik gamintojo nurodytą įkroviklį. Naudojant įkroviklį, skirtą kito tipo sudėtinėi baterijai, gali kilti gaisro pavojus.
- **Elektrinius įrankius naudokite tik su jiems skirtomis sudėtinėmis baterijomis.** Naudojant kitokias sudėtines baterijas gali kilti sužalojimų ir gaisro pavojus.
- **Nenaudojama sudėtinė baterija turi būti laikoma atokiau nuo metalinių daiktų, tokių kaip sąvaržėlės, monetos, raktai, vinyas, varžtai ar kiti smulkūs metaliniai daiktai, galintys sujungti abu baterijos gnybtus.** Įvykus trumpajam jungimui tarp baterijos gnybtų galima nusideginti ar gali kilti gaisras.
- **Dėl netinkamų sąlygų iš baterijos gali ištekėti skystis – nelieskite jo. Skysčiai atsitiktinai patekus ant odos, nedelsiant nuplaukite vandeniu. Jeigu skystis pateko į akis, kreipkitės ir į gydytojus.** Iš baterijos ištekėjęs skystis gali dirginti arba nudeginti.
- **Nenaudokite pažeistos ar modifikuotos sudėtinės baterijos ar įrankio.** Tokios netinkamos sudėtinės baterijos gali kelti gaisro, sproginimo ar sužalojimo pavojų.
- **Sudėtinės baterijos ar įrankio negalima deginti ar kaitinti.** Bateriją deginant ar įkaitinus virš 100 °C ji gali sprogti.
- **Laikykitės įrankio ar sudėtinės baterijos įkrovimo instrukcijų ir įkrovimą vykdykite nurodytame temperatūrų diapazone.** Priešingu atveju galite sugadinti sudėtinę bateriją ar net sukelti gaisrą.

KITI ĮSPĖJIMAI DĖL SAUGOS

Mokymas

- Atidžiai perskaitykite instrukcijas. Susipažinkite su valdikliais ir nurodymais, kaip tinkamai naudoti įrankį.
- Įrankio niekada neleiskite naudoti vaikams arba žmonėms, nesusipažinusiems su šia instrukcija. Vietiniai teisės aktai gali riboti operatoriaus amžių.
- Niekada nedirbkite, kai netoliese yra žmonių, ypač vaikų, arba naminių gyvūnų.

- Atminkite, kad operatorius arba naudotojas atsako už nelaimingus atsitikimus ir pavojus, keliamus kitiems žmonėms ir jų turtui.

Pasiruošimas

- Dirbdami visada avėkite tvirtą avalynę ir vilkėkite ilgas kelnes. Nedirbkite basi arba avėdami sandalus atviru priekiu.
- Atidžiai apžiūrėkite plotą, kuriame ketinate dirbti įrankiu, ir pašalinkite visus pašalinius daiktus, kuriuos besisukantis įrankis gali išsviesti į orą.
- Prieš naudodami įrankį visada patikrinkite, ar jo dalys nėra susidėvėję ar pažeistos. Susidėvėjusias arba pažeistas dalis ir varžtus keiskite komplektais, kad įrankis neišsibalansuotų.

Naudojimas

- Įrankio variklio nebandykite paleisti uždaroje patalpoje, kuriose gali kauptis pavojingos anglies monoksido dujos.
- Dirbkite tik dieną arba esant tinkamam dirbtiniam apšvietimui.
- Nuožulniose vietose visada atsistokite tvirtai.
- Dirbdami įrankiu eikite ir niekada nebėkite.
- Naudodami rotacinius įrenginius ant šlaito, visada judėkite skersai, o ne kildami aukštyn ir leidamiesi žemyn.
- Būkite itin atsargūs, kai ant šlaito keičiate kryptį.
- Nedirbkite ypač stačiuose šlaituose.
- Būkite itin atsargūs, kai einate atbulomis arba traukiate įrankį link savęs.
- Nekeiskite variklio sūkių regulatoriaus nuostatų ir nedidinkite variklio sūkių.
- Variklį paleiskite atsargiai, laikydamiesi gamintojo nurodymų ir atitraukę nuo įrankio kojas.
- Nekiškite rankų ir kojų arti besisukančių dalių arba po jomis.
- Niekada nekelkite ir neneškite įrankio su veikiančiu varikliu.

DARBAS ANT ŠLAITO:

Šlaitai yra pagrindinis veiksnys, susijęs su nelaimingais atsitikimais, kurių metu paslystama ir nugriūnama. Šiose vietose galima sunkiai susižaloti. Nuožulniose vietose visada atsistokite tvirtai. Dirbant šlaituose reikia būti itin atsargiems. Jei ant šlaito jaučiatės nesaugiai, nedirbkite ant jo.

- Stebėkite, ar nėra duobių, provėžų, akmenų, sunkiai pastebimų daiktų arba nelygumų, ant kurių galite paslysti arba už kurių galite užkliūti. Aukšta žolė gali slėpti kliūtis.

TECHNINĖ PRIEŽIŪRA

- Jūsų elektrinio įrankio techninės priežiūros darbus gali vykdyti tik kvalifikuotas remonto meistras, naudodamas tik identiškas atsargines dalis. Tokiu būdu elektrinis įrankis išliks saugus.
- Niekada neremontuokite sugadintos sudėtinės baterijos. Tokias baterijas remontuoti gali tik gamintojas arba įgalioto techninės priežiūros centro specialistai.

⚠️ ĮSPĖJIMAS: perskaitykite visus su šiuo elektriniu įrankiu pateiktus įspėjimus dėl saugos, instrukcijas, peržiūrėkite paveikslus ir specifikacijas. Nesilaikant visų toliau išdėstytų nurodymų galima patirti elektros smūgį, sukelti gaisrą ir (ar) sunkiai susižaloti. Išsaugokite visas instrukcijas su įspėjimais, nes jų gali prireikti ateityje.

- Naudokite tik su A paveiksle nurodytomis sudėtinėmis baterijomis ir įkrovikliais.

IŠSAUGOKITE ŠIĄ INSTRUKCIJĄ

SPECIFIKACIJOS

Šepečio būgno skersmuo	250 mm	
Valymo plotis	560 mm	
Rekomenduojama darbinė temperatūra	Nuo -15 °C iki 40 °C	
Rekomenduojama sandėliavimo temperatūra	Nuo -20 °C iki 70 °C	
Svoris (įskaitant apsaugą)	5,05 kg	
Išmatuotas garso galios lygis L_{WA}	91,4 dB(A) K = 2,02 dB(A)	
Garso slėgio lygis ties operatoriaus ausimi L_{PA}	82,8 dB(A) K = 2,5 dB(A)	
Garantuojamas garso galios lygis L_{WA} (išmatuotas pagal 2000/14/EB)	93 dB(A)	
Vibracijos vertė a_h	Priekinė pagalbinė rankena	0,46 m/s ² K = 1,5 m/s ²
	Galinė rankena	1,43 m/s ² K = 1,5 m/s ²

- Pirmiau nurodyti parametrai išbandyti ir išmatuoti naudojant elektrinę galvutę PH1400E.
- Nurodyta bendroji vibracijos vertė išmatuota taikant standartinį bandymo metodą, todėl pagal ją galima palyginti skirtingus įrankius.
- Nurodytą bendrąją vibracijos vertę taip pat galima naudoti pirminiam poveikio vertinimui.

PASTABA: Naudojant įrenginį realiomis sąlygomis, sklaidžiamos vibracijos stiprumo vertė gali skirtis nuo

nurodytos. Kad apsisaugotų dirbdamas realiomis sąlygomis, naudotojas turi mūvėti pirštines ir naudoti klausos apsaugos priemones.

PAKUOTĖS TURINIO SĄRAŠAS

DALIES PAVADINIMAS	KIEKIS
Valymo šepečio įtaisas	1
Šepečio ritinėlis	2
Varantysis velenas	2
Apsauga (su varžtu)	1
Šėšiakampis raktas	1
Prikabinimo kaištis	2
Fiksavimo kaištis	2
Naudojimo instrukcija	1

APRAŠYMAS

PAŽINKITE SAVO ŠEPEČIO ĮTAISĄ (A pav.)

1. Kamštelis
2. Valymo šepečio tvirtinimo kotas
3. Apsauga
4. Šepečio ritinėlis
5. Krumplinė pavara
6. Tvirtinimo kaištis
7. Šėšiakampis raktas

SURINKIMAS

⚠️ ĮSPĖJIMAS: jei kurios nors dalys pažeistos arba jų nėra, nenaudokite šio gaminio tol, kol tos dalys nebus pakeistos. Naudojant šį gaminį su pažeistomis dalimis arba kai jų trūksta, galima sunkiai susižaloti.

⚠️ ĮSPĖJIMAS: nebandykite keisti šio gaminio konstrukcijos arba naudoti priedus, kurie nėra rekomenduojami naudoti su šiuo įrankiu. Visi tokie pakeitimai laikomi netinkamu naudojimu ir gali sukelti pavojingas situacijas, kurių metu galite būti sunkiai susižaloti.

⚠️ ĮSPĖJIMAS: norėdami išvengti atsitiktinio paleidimo, dėl kurio galite sunkiai susižaloti, dalių surinkimo metu visada ištraukite baterijos jungtį iš lizdo.

⚠️ ĮSPĖJIMAS: nejunkite valymo šepečio prie elektrinės galvutės, kol iki galo nesumontuosite įrankio. Priešingu atveju įrankis gali netyčia išjungti ir sunkiai sužaloti.

LT

APSAUGOS TVIRTINIMAS

⚠️ ĮSPĖJIMAS: apsaugą pritvirtinkite prieš valymo šepčio įtaisą prijungdami prie elektrinės galvutės.

1. Pridedamu šešiakampi raktu atsukite ir ištraukite iš apsaugos varžtą (B pav.).
2. Pakelkite valymo šepčio įtaiso kotą ir nuimkite nuo jo kamštelį.
3. Įtaikę apsaugos angą į koto galo kraštą, stumkite apsaugą ant koto, kol jos varžtų skylės sutaps su koto skylėmis (C ir D pav.).

C ir D pav. pavaizduotų dalių aprašas:

C-1	Anga
C-2	Kraštas
D-1	Varžtas

4. Pridėtu šešiakampi raktu priveržkite varžtą pagal laikrodžio rodyklę ir pritvirtinkite apsaugą.

ŠEPEČIO RITINĖLIŲ TVIRTINIMAS

1. Uždėkite varantįjį veleną ant varomojo veleno (E pav.).

E pav. pavaizduotų dalių aprašas:

E-1	Varomasis velenas
E-2	Varantysis velenas

2. Varantįjį veleną prie varomojo veleno pritvirtinkite įstatę į atitinkamą angą fiksavimo kaištį.

PASTABA: fiksavimo kaištį reikia įstatyti į atitinkamą angą (F pav.).

F pav. pavaizduotų elementų aprašas:

F-1	Fiksavimo kaištis
F-2	Fiksavimo kaiščio anga

3. Kitą varantįjį veleną pritvirtinkite ta pačia tvarka.
4. Užmaukite šepčio ritinėlį ant varančiojo veleno (G pav.).

G pav. pavaizduotų elementų aprašas:

G-1	Šepčio ritinėlis
G-2	Varantysis velenas

5. Prakiškite tvirtinimo kaištį pro skylę veleno gale ir pritvirtinkite šepčio ritinėlį prie varančiojo veleno (H pav.).

H pav. pavaizduotų elementų aprašas:

H-1	Tvirtinimo kaištis
-----	--------------------

6. Kitą šepčio ritinėlį pritvirtinkite ta pačia tvarka.

VALYMO ŠEPEČIO ĮTAISO SUJUNGIMAS SU ELEKTRINE GALVUTE

⚠️ ĮSPĖJIMAS: niekada netvirtinkite ir nereguliuokite jokių įtaisų, kai veikia elektrinė galvutė arba neišimta baterija. Nesustabdę variklio ir neišėmę baterijos galite sunkiai susižaloti.

Šis valymo šepčio įtaisas skirtas naudoti su EGO elektrine galvute PH1400E.

1. Išjunkite variklį ir išimkite sudėtinę bateriją.
2. Atsukite elektrinės galvutės jungiamosios movos sparnuotąją varžlę.
3. Jeigu ant įtaiso veleno uždėtas kamštelis, nuimkite jį ir pasidėkite saugioje vietoje, nes jo reikės vėliau.

Sulyginkite rodyklę ant valymo šepčio veleno su jungiamosios movos rodykle (I pav.) ir įstumkite šepčio veleną į jungiamąją movą, kol išgirsite spragtelėjimą (J pav.).

I pav. pavaizduotų elementų aprašas

I-1	Veleno atleidimo mygtukas
I-2	Rodyklė ant jungiamosios movos
I-3	Sparnuotoji varžlė
I-4	Rodyklė ant įtaiso veleno
I-5	Raudona linija

J pav. pavaizduotų elementų aprašas:

J-1	Raudona linija
-----	----------------

4. Truktelėkite valymo šepčio įtaiso veleną, kad įsitikintumėte, jog jis patikimai susikabino su jungiamąja mova. Jeigu ne, patraukite valymo šepčio veleną movoje kelis kartus pirmyn ir atgal, kol išgirsite aiškų spragtelėjimą, kuris reiškia, kad velenas užsifiksavo.
5. Tvirtai užveržkite sparnuotąją varžlę.

⚠️ ĮSPĖJIMAS: Prieš įjungdami elektrinį įrankį įsitikinkite, kad sparnuotoji varžlė tvirtai užveržta. Darbo metu reguliariai tikrinkite užveržimą, kad išvengtumėte sužalojimų.

ĮTAISO NUĖMIMAS NUO ELEKTRINĖS GALVUTĖS

1. Išjunkite variklį ir išimkite sudėtinę bateriją.
2. Atsukite sparnuotąją varžlę.
3. Paspaudę ir laikydami nuspaudę veleno atleidimo mygtuką, traukite arba sukite valymo šepčio įtaiso veleną iš jungiamosios movos ir elektrinės galvutės.

NAUDOJIMAS

⚠️ ĮSPĖJIMAS: mokėjimas naudotis šiuo įrankiu nesuteikia teisės dirbti nerūpestingai. Atsiminkite, kad trumpam atitraukę dėmesį galite sunkiai susižaloti.

⚠️ ĮSPĖJIMAS: būtinai naudokite akių ir klausos apsaugos priemones. Nesilaikant šio nurodymo į akis gali pataikyti išsviestos šiukšlės arba galite kitaip sunkiai susižaloti.

⚠️ ĮSPĖJIMAS: nenaudokite jokių priedų arba įtaisų, kurių nerekomendavo šio įrankio gamintojas. Naudojant nerekomenduojamus papildomus įtaisus arba priedus, galima sunkiai susižaloti.

NAUDOJIMAS

Šį gaminį galite naudoti toliau nurodytoms paskirtims:

- Plotams ir takams valyti, įskaitant nelygius ir sujungtus paviršius.
- Šaligatviams, betonui ar asfaltui dengtiems įvažiavimams, pėsčiųjų takams ir kiemams valyti.

⚠️ ĮSPĖJIMAS: dirbdami su šiuo įrankiu tinkamai apsirengkite, kad sumažintumėte traumų pavojų. Nedėvėkite laisvų drabužių ir nenešiotikite laisvai kabančių papuošalų. Užsidėkite apsauginius akinius. Mūvėkite tvirtos medžiagos ilgus kelnes ir pirštines, avėkite tinkamus batus. Nedirbkite su trumpomis kelnėmis, su sandalais ar basomis.

Jeigu valomas paviršius sausas, pašlakstykite jį vandeniu, kad mažiau kiltų dulksės.

Dirbant valymo šepetį reikia laikyti priekyje. Laikykite valymo šepetį viena ranka už galinės rankenos, o kita – už priekinės pagalbinės rankenos. Dirbdami su valymo šepėčiu laikykite jį tvirtai abiem rankomis.

Valymo šepetį laikykite palenkę kampų. Jeigu laikymo kampas per mažas, šepetys gali stumti atgal į operatorių.

Įrankį laikykite tvirtai stovėdami ant abiejų kojų (K pav.).

Išsviestos šiukšlės gali sunkiai sužaloti operatorių arba pašalinį asmenį. Norint sumažinti traumų pavojų, labai svarbu imtis šių atsargumo priemonių:

- Dirbdami valymo šepetį visada laikykite abiem rankomis. Tvirtai sugriebkite abi rankenas.
- Prieš valymo šepetį paleisdami, pastatykite jį darbo zonoje ir pradėkite dirbti mažesniu greičiu.
- Kad sumažėtų susižalojimo pavojus nesuvaldžius įrankio, valymo šepetį laikykite palenkę kampų. Jeigu laikymo kampas per mažas, šepetys gali stumti atgal į operatorių.

Kaskart prieš naudodami įrankį patikrinkite, ar nėra pažeistų ir (ar) sudilusių dalių

Patikrinkite šepėčio ritinėlių, apsaugą, priekinę pagalbinę rankeną bei varantįjį veleną ir pakeiskite visas įtrūkusias, deformuotas, sulinkusias ar kitaip pažeistas dalis.

Kaskart panaudoję valymo šepetį jį išvalykite

Valymo nurodymus žr. skyriuje „Techninė priežiūra“.

KAIP PALEISTI IR SUSTABDYTI ĮRANKĮ

Žr. elektrinės galvutės PH1400E naudojimo instrukcijos skyriuje ELEKTRINĖS GALVUTĖS PALEIDIMAS IR STABDYMAS.

TECHNINĖ PRIEŽIŪRA

⚠️ ĮSPĖJIMAS: atlikdami techninės priežiūros darbus, naudokite tik identiškas atsargines dalis. Naudojant bet kokias kitas dalis, gali kilti pavojus arba sugesti gaminys. Norint užtikrinti saugumą ir patikimumą, visus remonto darbus turi atlikti kvalifikuotas techninės priežiūros specialistas.

⚠️ ĮSPĖJIMAS: akumuliatorinių įrankių nereikia jungti į elektros lizdą; jie visada yra darbinės būsenos. Norėdami išvengti sunkių sužalojimų, imkitės papildomų atsargumo priemonių ir būkite atidūs atlikdami techninę priežiūrą, remontą ar keisdami pjovimo įtaisą ar kitus priedus.

⚠️ ĮSPĖJIMAS: Kad išvengtumėte sunkių traumų, prieš vykdydami valymo šepėčio techninę priežiūrą, valydami, keisdami priedus arba padėdami į sandėlį iš elektrinės galvutės išimkite sudėtinę bateriją ir palaukite, kol šepetys nustos sukintis.

BENDROJI PRIEŽIŪRA

⚠️ ĮSPĖJIMAS: jokia būdu neleiskite ant plastikinių dalių patekti stabdžių skysčiui, benziniui, naftos produktams, skvarbiai alyvai ir pan. Chemikalai gali sugadinti, susilpninti arba suardyti plastiką. Dėl to galite sunkiai susižaloti.

⚠️ ĮSPĖJIMAS: Valydami valymo šepėčio įtaisą, NIEKADA nemerkite jo į vandenį ar kitą skystį. Neplaukite savo įrankio slėginiu plautuvu. Stipri vandens srovė gali sugadinti įrankio dalis.

ŠEPEČIO RITINĖLIŲ TECHNINĖ PRIEŽIŪRA

- Reguliariai valykite šepėčio ritinėlius.
- Jeigu kurį nors sugadintą šepėčio ritinėlių reikia keisti, pakeiskite abu ritinėlius, kad įrankis geriau dirbtų.

LT

Visus šioje priežiūros instrukcijoje neaprašytus techninės priežiūros darbus turi atlikti kvalifikuotas techninės priežiūros specialistas.

ŠEPEČIO RITINĖLIŲ KEITIMAS

⚠️ ĮSPĖJIMAS: pažeistas šepečio ritinėlis po ilgo naudojimo gali sukelti į skeveldras, kurios išmestos į orą gali sukelti pavojų. Išsviestos skeveldros gali sunkiai sužaloti. Reguliariai tikrinkite ritinėlius ir nenaudokite valymo šepečio su sudilusiomis ar pažeistomis dalimis.

Nuėmimas (L pav.)

1. Iš varančiojo veleno galo ištraukite tvirtinimo kaištį.
2. Ištraukite šepečio ritinėlį kartu su apsaugine plokštele nuo varančiojo veleno.
3. Jeigu varantysis velenas pažeistas, ištraukite iš jo angos fiksavimo kaištį ir ištraukite varantįjį veleną iš varomojo veleno (M pav.).
4. Jeigu pažeista apsauginė plokštelė, nuimkite ją nuo šepečio ritinėlio ir pakeiskite.
5. Kitą šepečio ritinėlį nuimkite ta pačia tvarka.

L pav. pavaizduotų dalių aprašas:

L-1	Varomasis velenas	L-4	Tvirtinimo kaištis
L-2	Fiksavimo kaištis	L-5	Apsauginė plokštelė
L-3	Šepečio ritinėlis	L-6	Varantysis velenas

LT

Uždėjimas

1. Užmaukite varantįjį veleną ant varomojo veleno ir į varančiojo veleno angą įstatykite fiksavimo kaištį (F pav.).
2. Uždėkite apsauginę plokštelę ant šepečio ritinėlio, įtaikydami plokštelės kraštą į ritinėlio angą (N pav.).

N pav. pavaizduotų dalių aprašas:

N-1	Anga
N-2	Kraštas

3. Užmaukite šepečio ritinėlį ant varančiojo veleno (G pav.).
4. Įstatykite tvirtinimo kaištį į skylę varančiojo veleno gale ir užlenkite.
5. Kitą šepečio ritinėlį pritvirtinkite ta pačia tvarka.

⚠️ ĮSPĖJIMAS: abu šepečio ritinėlius visada keiskite vienu metu.

ĮRANKIO VALYMAS

- Išimkite bateriją.

- Išvalykite iš šepečio ritinėlių, apsaugos ir krumplynės pavaros šaknų nuopjovas, prikibusią žemę ir augalų liekanas. Jei norite išvalyti kruopščiai, nuimkite šepečio ritinėlius bei apsaugą ir gerai išplaukite. Ritinėlių išardymo ir surinkimo instrukciją rasite skyriuje **ŠEPEČIO RITINĖLIŲ KEITIMAS**.

- Oro ventiliacijos angose neturi būti jokių kliūčių.

ĮRANKIO SANDĖLIAVIMAS

- Išimkite iš įrankio sudėtinę bateriją.
- Įrankį kruopščiai išvalykite ir patikrinkite šepečio ritinėlius.
- Nuimkite nuo elektrinės galvutės valymo šepečio įtaisą ir ant koto galo uždėkite kamštelį, kad į jungiamąją movą nepatektų nešvarumų.
- Įrankį laikykite sausoje, gerai vėdinamoje, rakinamoje patalpoje arba aukštai, vaikams neprieinamoje vietoje. Nelaikykite įrankio ant arba prie trašų, benzino ar kitų cheminių medžiagų.

Aplinkos apsauga



Neišmeskite elektros įrangos, baterijos įkroviklio ir baterijų ar įkraunamų baterijų kartu su buitėmis atliekomis! Pagal Europos Parlamento ir Tarybos direktyvas 2012/19/EB ir 2006/66/EB nenaudojama elektros bei elektronikos įranga ir sugedę ar panaudotos sudėtinės baterijos ir (ar) baterijos turi būti surenkamos atskirai. Jei elektriniai prietaisai išmetami į užkasamuosius arba atvirusius sąvartynus, kenksmingos medžiagos gali prisiskinti iki gruntinio vandens, patekti į mitybos grandinę ir pakenkti jūsų sveikatai bei gerovei.

TRIKČIŲ ŠALINIMAS

PROBLEMA	PRIEŽAST	SPRENDIMAS
Valymo šepetys neįsijungia.	<ul style="list-style-type: none"> ■ Sudėtinė baterija tinkamai neprijungta prie elektrinės galvutės. ■ Nėra elektros kontakto tarp elektrinės galvutės ir sudėtinės baterijos. ■ Sudėtinė baterija visiškai išsikrovusi. ■ Vienu metu nenuspausta blokuotės išjungimo svirtelė ir elektrinės galvutės jungiklis. ■ Nei viena iš pirmiau minėtų priežasčių. 	<ul style="list-style-type: none"> ■ Prijunkite sudėtinę bateriją prie elektrinės galvutės. ■ Išimkite bateriją, patikrinkite kontaktus ir vėl įdėkite sudėtinę bateriją taip, kad ji užsifikuotų savo vietoje. ■ Įkraukite sudėtinę bateriją šioje naudojimo instrukcijoje nurodytu EGO įkrovikliu. ■ Kad įrankį paleistumėte, paspauskite ir laikykite nuspaudę blokuotės išjungimo svirtelę, o po to nuspauskite jungiklį. ■ Kreipkitės į EGO klientų aptarnavimo tarnybą.
Valymo šepetys akivaizdžiai sugadintas.	<ul style="list-style-type: none"> ■ Nenormalus sugadinimas gabenimo ar darbo metu. 	<ul style="list-style-type: none"> ■ Kreipkitės į EGO klientų aptarnavimo tarnybą.
Valymo šepetys darbo metu sustoja.	<ul style="list-style-type: none"> ■ Variklio perkrova. ■ Sudėtinė baterija arba elektrinė galvutė pernelyg įkaitusi. ■ Sudėtinė baterija atjungta nuo įrankio. ■ Sudėtinė baterija visiškai išsikrovusi. ■ Nei viena iš pirmiau minėtų priežasčių. 	<ul style="list-style-type: none"> ■ Variklis ims veikti normaliai pašalinus apkrovą. Kad dirbtumėte nepertraukiamai, sumažinkite valymo šepetio apkrovą. ■ Palaukite, kol sudėtinės baterijos ar elektrinės galvutės temperatūra sumažės iki mažesnės nei 67 °C temperatūros. ■ Vėl įdėkite sudėtinę bateriją. ■ Įkraukite sudėtinę bateriją šioje naudojimo instrukcijoje nurodytu EGO įkrovikliu. ■ Kreipkitės į EGO klientų aptarnavimo tarnybą.

LT

GARANTIJA

EGO GARANTINĖ POLITIKA

Norėdami sužinoti visas EGO garantinės politikos sąlygas, apsilankykite interneto svetainėje egopowerplus.com.

IZLASIET VISUS NORĀDĪJUMUS!



IZLASIET EKSPLOATĀCIJAS RO- KASGRĀMATU

⚠ Citi riski! Personām, kuras lieto elektroniskas ierīces, piemēram, elektrokardiostimulatorus, pirms šīs ierīces lietošanas jākonsultējas ar savu ārstu. Elektriskā aprīkojuma darbība sirds elektrokardiostimulatora tuvumā var radīt stimulatora darbības traucējumus vai kļūmes.

⚠ BRĪDINĀJUMS! Lai garantētu drošību un uzticamību, ierīces remontu un tās detaļu nomaīņu uzticiet veikt tikai kvalificētam servisa tehnikam.

DROŠĪBAS APZĪMĒJUMS

Drošības apzīmējumi ir paredzēti, lai pievērstu jūsu uzmanību iespējamam apdraudējumam. Pievērsiet uzmanību drošības apzīmējumiem un to skaidrojumiem, un izprotiet tos. Brīdinājumu apzīmējumi paši par sevi nenovērš apdraudējumu. Tajos ietvertie norādījumu un brīdinājumu neaizstāj atbilstošu negadījumu novēršanas pasākumu īstenošanu.

⚠ BRĪDINĀJUMS! Pirms šī instrumenta lietošanas izlasiet un izprotiet visus šajā lietotāja rokasgrāmatā iekļautos drošības norādījumus, tostarp visus drošības brīdinājuma apzīmējumus, piemēram, „**BĪSTAMI!**”, „**BRĪDINĀJUMS!**” un „**UZMANĪBU!**”. Visu turpmāk uzskaitīto norādījumu neievērošana var izraisīt elektriskās strāvas triecienu, aizdegšanos un/vai smagus miesas bojājumus.

SIMBOLA NOZĪME

LV

⚠ DROŠĪBAS BRĪDINĀJUMA APZĪMĒJUMS: Norāda signālvārdu **BRIESMAS, BRĪDINĀJUMS** VAI **UZMANĪBU**; var būt norādīts kopā ar citiem apzīmējumiem vai piktogrammām.



⚠ BRĪDINĀJUMS! Jebkura elektroinstrumenta lietošanas laikā acis var iekļūt svešķermeņi, kas var radīt smagu acu traumu. Pirms elektroinstrumenta ieslēgšanas vienmēr uzvelciet aizsargbrilles vai aizsargbrilles ar sānu aizsargiem un, ja nepieciešams, pilnu sejas aizsargmasku. Iesakām izmantot aizsargmasku ar plašu skata leņķi, ko uzvelk virs parastajām brillēm, vai arī standarta aizsargbrilles ar sānu aizsargiem.

DROŠĪBAS INSTRUKCIJA

Šajā lapaspusē ir parādīti un aprakstīti drošības apzīmējumi, kas var būt norādīti uz šī izstrādājuma. Pirms iekārtas montāžas un lietošanas izlasiet, izprotiet un ievērojiet visus uz iekārtas sniegtos norādījumus.

	Drošības brīdinājums	Norāda uz iespējamu miesas bojājumu risku.
	Izlasiet ekspluatācijas rokasgrāmatu	Lai mazinātu traumu rašanās bīstamību, pirms šī izstrādājuma lietošanas tā lietotājam jāizlasa un jāizprot lietošanas rokasgrāmata.
	Valkāt acu aizsarglīdzekļus	Šī izstrādājuma darbināšanas laikā vienmēr valkājiet aizsargbrilles vai aizsargbrilles ar sānu aizsargiem un pilnu sejas aizsargmasku.
	Neļaut tuvoties nepieņēmošām personām	Nodrošiniet, ka citas personas atrodas drošā attālumā
	Valkāt aizsargcimdus	Darbojoties ar asmeņiem vai asmens aizsargu, sargājiet savas rokas, valkājot cimdus. Neslidoši augstākās aizsardzības pakāpes aizsargcimdi palīdz labāk satvert instrumentu un aizsargāt jūsu rokas.
	Valkāt drošības apavus	Lietojot šo aprīkojumu, valkājiet drošības apavus ar neslidošu zoli.
	Rikošets	Lidojoši priekšmeti var atstiesies un radīt miesas bojājumus vai kaitējumu īpašumam.
	Sargāt no lietus	Neizmantojiet lietū vai neatstājiet ārā, kamēr līst lietus.
	CE	Šis izstrādājums atbilst piemērojamām EK direktīvām.
	EEIA	Elektrisko izstrādājumu atkritumus nedrīkst izmest kopā ar sadzīves atkritumiem. Nogādājiet uz pilnvarotu pārstrādes punktu.
	Troksnis	Garantētais skaņas intensitātes līmenis. Trokšņa emisija vidē atbilstoši Eiropas Kopienas direktīvai
V	Volts	Spriegums
mm	Milimetrs	Garums vai izmērs
kg	Kilograms	Svars

VISPĀRĒJIE ELEKTROINSTRUMENTA DROŠĪBAS BRĪDINĀJUMI

⚠️ BRĪDINĀJUMS! Izlasiet visus ar šo elektroinstrumentu saistītos drošības brīdinājumus, norādījumus, specifikāciju un aplūkojiet attēlus. Visu turpmāk uzskaitīto norādījumu neievērošana var izraisīt elektriskās strāvas triecienu, aizdegšanos un/vai nopietnas traumas.

Saglabājiet visus brīdinājumus un instrukciju turpmākai atsaucei.

DROŠĪBA DARBA ZONĀ

- **Uzturiet darba zonu tīru un labi apgaismotu.** Nesakārtotā un slikti apgaismotā darba zonā var notikt nelaimes gadījumi.
- **Nedarbiniet elektroinstrumentu sprādzienbīstamā vidē, piemēram, viegli uzliesmojošu šķidrumu, gāzu vai putekļu klātbūtnē.** Elektroinstrumenti rada dzirksteles, kas var aizdedzināt putekļus vai izgarojumu tvaikus.
- **Neļaujiet bērniem un klātesošajiem atrasties elektroinstrumenta tuvumā, kamēr tas darbojas.** Apjukuma brīdī jūs varat zaudēt vadību pār instrumentu.

ELEKTRODROŠĪBA

- **Sargājiet elektroinstrumentus no lietus vai mitruma.** Mitruma iekļūšana elektroinstrumentā palielina elektriskās strāvas trieciena risku.

PERSONĪGĀ DROŠĪBA

- **Darbinot elektroinstrumentu, esiet modri, pievērsiet uzmanību tam, ko jūs darāt, un rīkojieties ar to saprātīgi.** Nelietojiet elektroinstrumentu, ja esat noguris, atrodaties apreibinošo vielu vai alkohola iedarbībā vai lietojat medikamentus. Pat viens mirklis neuzmanības elektroinstrumenta lietošanas laikā var kļūt par cēloni nopietnām traumām.
- **Vienmēr lietojiet individuālos aizsarglīdzekļus.** Ja tiek lietots darba specifiskai atbilstošs aizsargaprīkojums, piemēram, acu aizsarglīdzekļi, maska ar putekļu filtru, nesliidoši darba apavi, ķivere vai austiņas, samazinās traumu gūšanas risks.
- **Novērsiet nejaušas ieslēgšanās iespējamību.** Pirms instrumenta pievienošanas strāvas avotam un/vai akumulatoram pārlicinieties, vai slēdzis atrodas izslēgtā stāvoklī. Pāmēsājot elektroinstrumentu ar pirkstu uz slēdža vai iedarbinot elektroinstrumentu, kas jau ir ieslēgtā stāvoklī, var notikt nelaimes gadījums.
- **Pirms elektroinstrumenta ieslēgšanas izņemiet visas noregulēšanas vai uzgriežņu atslēgas.** Regulēšanas instruments vai atslēga, kas palikusi elektroinstrumenta rotējošās daļās, var izraisīt traumas.

- **Nepārvērtējiet savas spējas. Iegemiet pareizu stāju un vienmēr saglabājiet līdzsvaru.** Tādējādi jūs varēsiet labāk apvaldīt elektroinstrumentu negaidītās situācijās.
- **Valkājiet atbilstošu apģērbu. Nevalkājiet valģīgu apģērbu vai rotaslietas. Neļaujiet saviem matiem, apģērbam un cimdiem nonākt saskarē ar kustīgajām daļām.** Valģīgs apģērbs, rotaslietas vai gari mati var iekerties ierīces kustīgajās daļās.
- **Ja ierīces ir paredzētas savienošanai ar putekļu nosūksanas un savākšanas iekārtām, pārlicinieties, vai tās ir pieslēgtas un tiek izmantotas pareizi.** Putekļu savākšanas iekārtu izmantošana var samazināt ar putekļiem saistītos apdraudējumus.
- **Nepieļaujiet, ka instrumentu bieža lietošana varētu izraisīt nevērīgu attieksmi darbā ar tiem, un neignorējiet ar instrumenta lietošanu saistītos drošības principus.** Viens brīdis neuzmanības var izraisīt nopietnas traumas.

ELEKTROINSTRUMENTA LIETOŠANA UN APKOPE

- **Nespiediet elektroinstrumentu ar spēku.** Lietojiet attiecīgajam darbam piemērotāko elektroinstrumentu. Piemērots elektroinstruments labāk un drošāk spēs izpildīt veicamo darbu, darbojoties tam paredzētajā ātrumā.
- **Nelietojiet elektroinstrumentu, ja to nav iespējams ieslēgt un izslēgt ar slēdzi.** Ja elektroinstrumentu nav iespējams ieslēgt un izslēgt ar slēdzi, tas ir bīstams, tāpēc nekavējoties jāsalabo.
- **Pirms iestrēguša materiāla izņemšanas no asmeņiem, kā arī pirms elektroinstrumenta regulēšanas, papildierīču nomainīšanas, tīrīšanas vai novietošanas uzglabāšanā, izņemiet no elektroinstrumenta akumulatoru bloku, ja to var izdarīt.** Šie drošības pasākumi palīdzēs izvairīties no nejaušas elektroinstrumenta ieslēgšanas.
- **Ja elektroinstrumenti kādu laiku netiek lietoti, uzglabājiet tos bērniem nepieejamā vietā un neļaujiet ar elektroinstrumentu darboties personām, kas instrumentu nepazīna vai nav izlasījušas šīs instrukcijas.** Nemākulīgās rokās nonākuši elektroinstrumenti ir potenciāls briesmu avots.
- **Veiciet elektroinstrumentam un piederumiem apkopi.** Pārbaudiet, vai ir pareizi uzstādītas kustīgās daļas un vai tās neķeras, un vai elektroinstrumenta daļām nav bojājumu, kas var negatīvi ietekmēt tā darbību. Bojāts elektroinstruments ir jāsalabo pirms nākamās lietošanas reizes. Daudzu negadījumu cēlonis ir sliktā stāvoklī esošu elektroinstrumentu un piederumu izmantošana.

- **Griezējinstrumentiem jābūt asiem un tīriem.** Rūpīgi kopti griezējinstrumenti retāk iestrēgst un ir vieglāk vadāmi.
- **Lietojiet elektroinstrumentu, tā piederumus un maināmos instrumentus, kā arī citus saistītos elementus atbilstoši šiem norādījumiem, ņemot vērā darba apstākļus un veicamo uzdevumu.** Elektroinstrumenta lietošana neparedzētiem mērķiem var radīt bīstamu situāciju.
- **Rokturiem un satveršanas daļām jābūt sausiem, tīriem un uz tiem nedrīkst būt eļļa vai smērviela.** Ja rokturi un satveršanas daļas ir mitras, tās slīdēs, un ar instrumentu vairs nebūs droši strādāt, kā arī apvaldīt neparedzētu apstākļu gadījumos.

AKUMULATORA LIETOŠANA UN APKOPE

- **Uzlādējiet ierīci tikai ar ražotāja noteikto lādētāju.** Lādētājs, kas paredzēts lietošanai tikai ar viena veida akumulatoru bloku, var radīt aizdegšanās draudus, ja to izmanto kopā ar citu akumulatoru bloku.
- **Lietojiet elektroinstrumentus kopā tikai ar tiem paredzētiem akumulatoru blokiem.** Jebkura cita akumulatoru bloka lietošana var radīt traumu gūšanas un aizdegšanās risku.
- **Kad akumulatoru bloks netiek izmantots, neglabājiet to citu metāla priekšmetu, piemēram, papīra saspaužu, monētu, atslēgu, naglu, skrūvju vai citu sīku metāla priekšmetu, kas var veidot savienojumu starp spailēm, tuvumā.** Akumulatora spaiļu īsslēgums var izraisīt aizdegšanos vai ugunsgrēku.
- **Nepareizas rīcības gadījumā no akumulatora var izteciēt šķidrums; izvairieties no saskares ar to. Ja tas nejauši nokļuvis uz ādas, noskalojiet ar ūdeni. Ja šķidrums iekļuvis acīs, nekavējoties meklējiet medicīnisko palīdzību.** No akumulatora izkļuvušais šķidrums var izraisīt kairinājumu vai apdegumus.
- **Nelietojiet bojātu vai pārveidotu akumulatoru bloku vai instrumentu.** Bojātu vai pārveidotu akumulatoru izmantošana var radīt neparedzamus apstākļus, kas rada aizdegšanās, sprādziena vai traumas gūšanas draudus.
- **Nepakļaujiet akumulatoru bloku vai instrumentu uguns liesmu vai pārmērīgas temperatūras iedarbībai.** Uguns liesmu iedarbība vai temperatūra virs 100 °C var izraisīt sprādzienu.
- **Izpildiet visas uzlādēšanas instrukcijas un neuzlādējiet akumulatoru bloku vai instrumentu ārpus instrukcijās norādītajām temperatūras vērtībām.** Ja instruments tiek uzlādēts nepareizi vai tiek pārsniegtas instrukcijās norādītās uzlādēšanas temperatūras vērtības, akumulators var sabojāties un palielināt aizdegšanās risku.

CITI DROŠĪBAS BRĪDINĀJUMI

Apmācība

- Rūpīgi izlasiet visus norādījumus. Iepazīstieties ar instrumenta vadības elementiem un pareizu lietošanu.
- Nekādā gadījumā neļaujiet instrumentu lietot cilvēkiem, kas nav iepazinušies ar šiem norādījumiem, kā arī bērniem. Vietējie noteikumi var ierobežot instrumenta lietotāja vecumu.
- Nekad nestrādājiet, ja darba zonas tuvumā atrodas cilvēki, it īpaši bērni vai dzīvnieki.
- Ņemiet vērā, ka instrumenta lietotājs vai operators ir atbildīgs par negadījumiem vai apdraudējumiem, kas var rasties citiem cilvēkiem vai īpašumam.

Sagatavošanās

- Strādājot ar instrumentu, vienmēr valkājiet piemērotus apavus un garās bikses. Nestrādājiet ar instrumentu basām kājām vai sandalēs.
- Apskatiet darba zonu, kurā strādāsiet ar instrumentu, un aizvāciet visus šķēršļus, kurus instruments var atsviest atpakaļ.
- Pirms lietošanas vienmēr apskatiet elektroinstrumentu, lai konstatētu, vai nav nolietojusies vai sabojājusies kāda daļa. Nomainiet visas bojātās daļas un bultskrūves vienlaicīgi, lai netiktu izjaukts šo daļu nodiluma līdzsvars.

Lietošana

- Nedarbiniet motoru slēgtā telpā, kur var sakrāties bīstamie oglekļa monoksīda dūmi.
- Strādājiet tikai dienas laikā vai labā mākslīgajā apgaismojumā.
- Vienmēr pārliecinieties, vai jums, atrodoties slīpumā, zem kājām ir drošs pamats.
- Strādājot ar instrumentu ejiet, nekad neskrieniet.
- Iekārtām ar rotējošiem riteņiem — strādājiet tikai šķērsām pret slīpumu, bet nekad uz augšu un uz leju.
- Esiet īpaši uzmanīgs(-a), kad maināt virzienu, atrodoties slīpumā.
- Nestrādājiet pārāk lielā slīpumā.
- Esiet īpaši piesardzīgs(-a), stumjot iekārtu atpakaļgaitā, vai velkot to uz savu pusi.
- Nomainiet motora apgriezienu skaita regulatora iestatījumus un nedarbiniet motoru ar pārāk augstiem apgriezieniem.
- Iedarbiniet motoru uzmanīgi, atbilstoši ražotāja instrukcijām un raugiet, lai pēdas šajā laikā atrastos pietiekamā attālumā no instrumenta.

- Neturiet plaukstas vai pēdas rotējošu daļu tuvumā vai zem tām.
- Nekad neceliet un nenesiet instrumentu, kamēr darbojas motors.

DARBS SLĪPUMĀ:

Nogāzes ir galvenais faktors, kas saistīts ar paslīdēšanas un pakļūšanas negadījumiem, kas var novest pie smagu traumu gūšanas. Vienmēr pārliecinieties, vai jums, atrodoties slīpumā, zem kājām ir drošs pamats. Strādājot slīpumā ir nepieciešama papildus piesardzība. Ja jūtaties neomulīgi, strādājot nogāzēs, pārtrauciet darbu.

- Uzmanieties no bedrēm, grambām, akmeņiem, paslēptiem priekšmetiem vai izoļņiem, kuru dēļ varat paslīdēt vai pakļūpt. Garā zālē var atrasties šķēršļi, kurus nevar saskatīt.

SERVISS

- Elektroinstrumenta remontdarbus drīkst veikt tikai kvalificēts speciālists, izmantojot tikai oriģinālās rezerves daļas. Tādējādi tiks garantēts elektroinstrumenta lietošanas drošums.

Nekad neveiciet bojātām akumulatoru blokam remontdarbus pašrocīgi. Bojāta akumulatoru bloka remontdarbus drīkst veikt tikai ražotājs vai pilnvaroti servisa darbinieki.

⚠ BRĪDINĀJUMS! Izlasiet visus ar šo elektroinstrumentu saistītos drošības brīdinājumus, norādījumus, specifیکāciju un aplūkojiet attēlus. Visu turpmāk uzskaitīto norādījumu neievērošana var izraisīt elektriskās strāvas triecienu, aizdegšanos un/vai nopietnas traumas. Saglabājiet visus brīdinājumus un instrukciju turpmākai atsaucei.

- Izmantojiet tikai A attēlā uzskaitītos akumulatora blokus un lādētājus.

SAGLABĀJIET ŠOS NORĀDĪJUMUS!

SPECIFIKĀCIJA

Sukas cilindra diametrs	250 mm
Tīrīšanas darba platums	560 mm
Ieteicamā darba temperatūra	-15°C– 40°C
Ieteicamā uzglabāšanas temperatūra	-20°C– 70°C
Svars (kopā ar aizsargu)	5,05 kg
Izmērītais skaņas intensitātes līmenis L_{WA}	91,4 dB(A) K=2,02 dB(A)

Trokšņa spiediena līmenis pie lietotāja auss L_{PA}	82,8 dB(A) K=2,5 dB(A)	
Garantētais skaņas intensitātes līmenis L_{WA} (izmērīts saskaņā ar 2000/14/EK)	93 dB(A)	
Vibrācijas ietekmes novērtējums a_n	Priekšējais palīgrokturis	0,46 m/s ² K=1,5 m/s ²
	Aizmugurējais rokturis	1,43 m/s ² K=1,5 m/s ²

- Iepriekš minētie parametri ir pārbaudīti un izmērīti kopā ar instrumentgalvu PH1400E.
- Norādītā vibrāciju kopējā vērtība ir izmērīta saskaņā ar standarta pārbaudes metodi un var tikt izmantota, lai salīdzinātu vairākus instrumentus.
- Deklarēto vibrāciju emisijas vērtību var arī lietot iepriekšējai vibrāciju iedarbības novērtēšanai.

PIEZĪME! Vibrāciju emisijas faktiskajā elektroinstrumenta darbināšanas laikā var atšķirties no norādītās vērtības. Lai pasargātu operatoru, lietotājam jāvalkā cimdi un dzirdes aizsarglīdzekļi atbilstoši patiesajiem darba apstākļiem.

KOMPLEKTĀCIJA

DAĻAS NOSAUKUMS	SKAITS
Piestiprināma saru suka	1
Sukas veltnis	2
Piedziņas ass	2
Aizsargs (ar bultskrūvi)	1
Seškanšu atslēga	1
Stiprinājuma tapa	2
Aizturtapa	2
Lietotāja rokasgrāmata	1

LV

APRAKSTS

PĀRZINIET SAVU PIESTIPRINĀMO SARU SUKU (A att.)

1. Uzgalis
2. Piestiprināmās saru sukas vārpsta
3. Aizsargs
4. Sukas veltnis
5. Pārnesumkārbā
6. Stiprinājuma tapa
7. Seškanšu atslēga

MONTĀŽA

⚠ BRĪDINĀJUMS! Ja kāda daļa ir bojāta vai trūkst, nedarbiniet šo izstrādājumu, kamēr nav nomainīta bojātā daļa. Darbinot šo izstrādājumu ar bojātām vai trūkstošām daļām, varat gūt smagus miesas bojājumus.

⚠ BRĪDINĀJUMS! Nemēģiniet pārveidot šo instrumentu vai izveidot piederumus, kas nav ieteicami lietošanai kopā ar šo instrumentu. Jebkādi šādi uzlabojumi vai pārveidojumi ir uzskatāmi par neatbilstošiem lietošanai un var radīt bīstamus apstākļus, kas var izraisīt nopietnus ievainojumus.

⚠ BRĪDINĀJUMS! Lai nepieļautu nejašu instrumenta ieslēgšanos, kas var radīt smagas traumas, vienmēr izvelciet akumulatora spraudni no ligzdas, uzstādot daļas.

⚠ BRĪDINĀJUMS! Nesavienojiet saru suku ar instrumentgalvu, kamēr montāža nav pilnībā pabeigta. Šo noteikumu neievērošanas rezultātā darbarīks var nejausi ieslēgties un izraisīt smagus miesas bojājumus.

AIZSARGA MONTĀŽA

⚠ BRĪDINĀJUMS! Uzstādiēt aizsargu pirms piestiprināmās saru sukas pievienošanas instrumentgalvai.

1. Atskrūvējiet un izņemiet no aizsarga skrūvi ar komplektācijā iekļauto seškanšu atslēgu (B att.).
2. Paceliet piestiprināmās saru sukas vārpstu un noņemiet no tās uzgali.
3. Salāgojiet aizsarga rievu ar izcilni vārpstas galā, izvelciet aizsargu caur vārpstu, līdz sakrīt aizsargā un vārpstā esošie skrūvju caurumi (C un D att.).

Zemāk norādīts C un D attēla detaļu apraksts:

C-1	Rieva
C-2	Izcilnis
D-1	Bultskrūve

4. Lai stingrāk piestiprinātu aizsargu, izmantojiet komplektācijā iekļauto seškanšu atslēgu, ar kuru var pieskrūvēt bultskrūvi pulksteņrādītāja kustības virzienā.

SUKAS VELTŅU MONTĀŽA

1. Uzspiediet piedziņas asi uz piedziņas vārpstas (E att.).

Zemāk norādīts E attēla detaļu apraksts:

E-1	Piedziņas vārpsta
E-2	Piedziņas ass

2. Lai piestiprinātu piedziņas asi pie piedziņas vārpstas, ievietojiet aizzurtapu bloķēšanas atverē.

PIEZĪME! Jābūt uzstādītai aizzurtapai (F att.).

Zemāk norādīts F attēla detaļu apraksts:

F-1	Aizzurtapa
F-2	Bloķēšanas atvere

3. Otru piedziņas asi uzstāda tā pat kā pirmo.
4. Uzspiediet sukas veltni uz piedziņas ass (G att.).

Zemāk norādīts G attēla detaļu apraksts:

G-1	Sukas veltnis
G-2	Piedziņas ass

5. Lai sukas veltni piestiprinātu pie piedziņas ass, ievietojiet stīprinājuma tapu galā esošajā caurumā (H att.).

Zemāk norādīts H attēla detaļu apraksts:

H-1	Stīprinājuma tapa
-----	-------------------

6. Otru sukas veltni uzstāda tā pat kā pirmo.

SARU SUKAS PIESTIPRINĀŠANA INSTRUMENTGALVAI

⚠ BRĪDINĀJUMS! Nekad nepiestipriniet vai nesalāgojiet palīgierīci, kamēr darbojas instrumentgalva vai, ja tajā atrodas akumulators. Ja motors netiek apturēts un nav izņemts akumulators, jūs varat gūt smagus miesas bojājumus.

Šī piestiprināmā saru suka ir paredzēta lietošanai kopā ar EGO instrumentgalvu PH1400E

1. Apturiet motoru un izņemiet akumulatoru bloku.
2. Atskrūvējiet instrumentgalvas savienotājapskavas spārnuzgriezni.
3. Ja uzgali ir piestiprināti pie palīgierīces vārpstas, noņemiet to un saglabājiet drošā vietā vēlāki lietošanai.

Salāgojiet bultiņu uz saru sukas vārpstas ar bultiņu uz savienotājapskavas (I att.) un iespiediet saru sukas vārpstu savienotājapskavā, līdz ir skaidri dzirdama „KLIKŠKA” skaņa (J att.).

Zemāk norādīts I attēla detaļu apraksts:

I-1	Vārpstas atbrīvošanas poga
I-2	Bultiņa uz savienotājapskavas
I-3	Spārnuzgrieznis
I-4	Bultiņa uz palīgierīces vārpstas
I-5	Sarkanā līnija

Zemāk norādīts J attēla detaļu apraksts:

J-1	Sarkanā līnija
-----	----------------

- Viegli pavelciet saru suku vārpstu, lai pārbaudītu, vai tā ir stingri nofiksēta savienotājapskavā. Ja tas tā nav, pabīdīet saru suku vārpstu uz priekšu un atpakaļ, līdz ir skaidri dzirdama „KLIKŠĶA” skaņa, kas norāda, ka tā ir nofiksējusies.
- Pieskrūvējiet spārnuzgriezni.

⚠ BRĪDINĀJUMS! Pirms elektroinstrumenta iedarbināšanas pārliecinieties, vai spārnuzgrieznis uz savienotājapskavas ir pilnībā pieskrūvēts; lai izvairītos no nopietniem miesas bojājumiem, periodiski pārbaudiet, vai tas ir stingri pieskrūvēts.

PALĪGIERĪCES IZŅEMŠANA NO INSTRUMENTGALVAS

- Apturiet motoru un izņemiet akumulatoru bloku.
- Atskrūvējiet spārnuzgriezni.
- Nospiediet vārpstas atbrīvošanas pogu, pavelciet no savienotājapskavas vai pagrieziet saru suku vārpstu, lai to izņemtu no instrumentgalvas.

EKSPLUATĀCIJA

⚠ BRĪDINĀJUMS! Saglabājiet modrību visu griezējinstrumenta lietošanas laiku. Neaizmirstiet, ka pat mīkls neuzmanības var izraisīt nopietnu traumu.

⚠ BRĪDINĀJUMS! Vienmēr valkājiet aizsargbrilles, kā arī dzirdes aizsarglīdzekļus. Šo noteikumu neievērošanas rezultātā acis var nonākt svešķermeņi vai arī jūs varat gūt citas smagas traumas.

⚠ BRĪDINĀJUMS! Nelietojiet pierīces vai piederumus, ko nav ieteicis šī produkta ražotājs. Šādu neapstiprinātu palīgierīču vai piederumu lietošana var radīt nopietnus ievainojumus.

PIELIETOJUMS

Šo elektroinstrumentu var lietot tālāk norādītajam mērķim:

- laukumu un ceļu, tostarp nelīdzeno virsmu un savienojuma vietu tīrīšanai;
- ietvju/betona virsmu/asfalta pabraucamo ceļu, gājēju ceļu un pagalmu tīrīšanai.

⚠ BRĪDINĀJUMS! Ģērbieties atbilstīgi, lai mazinātu traumu rašanās draudus, lietojot šo instrumentu. Nevalkājiet vaļīgu apģērbu vai rotaslietas. Valkājiet acu aizsardzības līdzekļus. Valkājiet izturīgas, garas bikses, apavus un cimdus. Nevalkājiet īsās bikses, sandales; netaigājiet basām kājām.

Ja tīrāmā virsma ir sausa, uzsmidziniet ūdeni, lai samazinātu sakrājušos putekļu daudzumu.

Saru suku ir jāstumj virzienā uz priekšu. Turiet saru suku ar vienu roka uz aizmugurējā roktura, savukārt ar otru roku — uz priekšējā palīgroktura. Iedarbināta saru suka ir jātur stingri ar abām rokām.

Turiet un strādājiet ar saru suku šaurā leņķī. Ja saru suku tur pārāk stāvā leņķī, tai sāks virzīties atpakaļ operatora virzienā.

Turiet saru suku stingri un saglabājiet līdzsvaru, stāvot uz abām kājām (K att.)

Izsviestie materiāli var nopietni savainot operatoru vai blakus stāvošu cilvēku. Lai samazinātu traumu risku, ir svarīgi veikt turpmāk norādītos piesardzības pasākumus.

- Vienmēr darba laikā turiet saru suku ar abām rokām. Satveriet abus rokturus stingri.
- Saru suka pirms iedarbināšanas ir jāpārvieto uz darba zonu un jāiedarbina ar zemāku ātrumu.
- Lai mazinātu traumu gūšanas risku, kas rodas, zaudējot vadību pār elektroinstrumentu, turiet un virziet saru suku šaurā leņķī. Ja saru suku tur pārāk stāvā leņķī, tai sāks virzīties atpakaļ operatora virzienā.

Pirms katras lietošanas reizes pārbaudiet, vai nav bojātu/nodilumu daļu

Pārbaudiet suku veltni, aizsargu, priekšējo rokturi un piedziņas asi, un nomainiet detaļas, ja tās ir saplaisājušas, saliekušas, salocījušas vai bojātas.

Iztīriet saru suku pēc katras lietošanas reizes

Tīrīšanas norādījumus skatīt sadaļā „Apkope”.

ELEKTROINSTRUMENTA PALAIŠANA/APTURĒŠANA

Skatiet instrumentgalvas PH1400E lietotāja rokasgrāmatā sadaļu „INSTRUMENTGALVAS PALAIŠANA/APTURĒŠANA”

APKOPE

⚠ BRĪDINĀJUMS! Veicot apkopi, izmantojiet tikai identiskas rezerves daļas. Jebkuru citu daļu izmantošana var radīt apdraudējumu vai instrumenta bojājumus. Lai garantētu drošu un uzticamu instrumenta darbību, visi remontdarbi jāveic kvalificētam servisa speciālistam.

⚠ BRĪDINĀJUMS! Ar akumulatoru darbināmiem instrumentiem nav jābūt pievienotiem strāvas avotam, tāpēc tie vienmēr ir gatavi darbam. Lai nepieļautu smagas traumas, apkopes un remontdarbu laikā, kā arī griezējierīces vai citu piederumu maiņas laikā veiciet papildu piesardzības pasākumus un esiet uzmanīgs.

⚠ BRĪDINĀJUMS! Lai nepieļautu smagas traumas, apkopes un remontdarbu laikā, kā arī griezējierīces vai citu piederumu maiņas laikā veiciet papildu piesardzības pasākumus un esiet uzmanīgi.

VISPĀRĒJĀ APKOPE

⚠ BRĪDINĀJUMS! Nekādā gadījumā neļaujiet bremžu šķidrumiem, benzīnam, naftas produktiem, piesūcināšanas eļļām u. tml. vielām nonākt saskarē ar plastmasas daļām. Ķīmikālijas var sabojāt, pavājināt vai iznīcināt plastmasu, kā rezultātā varat gūt nopietnus ievainojumus.

⚠ BRĪDINĀJUMS! Tīrīšanas laikā saru suku **NEDRĪKST** iemērt ūdeni vai kādā citā šķīdumā. Netīriet elektroinstrumentu ar spiediena mazgātāju. Spēcīgā ūdens strūkļa var sabojāt elektroinstrumenta daļas.

SUKAS VELTŅU APKOPE

- Sukas veltni ir bieži jāiztīra.
- Ja kāds no suku veltniem ir jānomaina nodiluma dēļ, nomainiet abus veltnus reizē, lai nodrošinātu vislabāko veiktspēju.

Visi saru suku apkopes darbi, izņemot šajos apkopes norādījumos uzskaitītos darbus, jāveic kompetentam servisa personālam.

SUKAS VELTŅU NOMAĪŅA

⚠ BRĪDINĀJUMS! Bojāts suku veltnis pēc ilgstošas lietošanas var salūzt, un no bojātās daļas atsviestās lauskas var būt bīstamas. Atsviestās lauskas var izraisīt nopietnas traumas. Regulāri pārbaudiet asmeni un nelietojiet saru suku ar nodilušām vai bojātām daļām.

Noņemšana (L att.)

1. Izņemiet stiprinājuma tapu no piedziņas ass gala.
2. Izvelciet suku veltni no piedziņas ass kopā ar aizsargplāksni.
3. Ja piedziņas ass ir bojāta, izvelciet aizturtapu no piedziņas ass cauruma un izvelciet piedziņas asi no piedziņas vārpstas (M att.).
4. Ja aizsargplāksne ir bojāta, izvelciet to no suku veltna un nomainiet ar citu.
5. Otru suku veltni izņem tā pat kā pirmo.

Zemāk norādīts L attēla detaļu apraksts:

L-1	Piedziņas vārpsta	L-4	Stiprinājuma tapu
L-2	Aizturtapu	L-5	Aizsargplāksne
L-3	Sukas veltnis	L-6	Piedziņas ass

Ievietošana

1. Uzstādiet piedziņas vārpstai piedziņas asi un ievietojiet aizturtapu piedziņas ass caurumā (skat. F att.).

2. Uzstādiet suku veltnim aizsargplāksni tā, lai aizsargplāksnes izcilnis sakristu ar suku veltna caurumu (N att.).

Zemāk norādīts N attēla detaļu apraksts:

N-1	Montāžas caurums
N-2	Izcilnis

3. Uzspiediet suku veltni uz piedziņas ass (skat. G att.).
4. Ievietojiet stiprinājuma tapu piedziņas ass galā esošajā caurumā un nolokiet plakaniski.
5. Otru suku veltni uzstāda tā pat kā pirmo.

⚠ BRĪDINĀJUMS! Vienmēr nomainiet abus suku veltnus vienlaicīgi.

IERĪCES TĪRĪŠANA

- Izņemiet akumulatoru.
- Iztīriet no suku veltniem, aizsarga vai pārnēsukārības nogrieztu sakņu gabaliņus, uzkrājušos augsnī vai augus. Lai elektroinstrumentu varētu rūpīgāk notīrīt, noņemiet suku veltnus un aizsargu. Stāku informāciju par daļu nomaīņu skatīt iepriekš norādītajā sadaļā „SUKAS VELTŅU NOMAĪŅA”.
- Ventilācijas atveres nedrīkst būt nosprostotas.

IERĪCES UZGLABĀŠANA

- Izņemiet no elektroinstrumenta akumulatoru bloku.
- Rūpīgi notīriet elektroinstrumentu un pārbaudiet suku veltnus.
- Izņemiet saru suku no instrumentgalvas un uzlieciet vārpstai uzgali, lai savienotājapskavā neiekļūtu netīrumi.
- Uzglabājiet elektroinstrumentu sausā, labi vēdināmā, aizslēdzamā vai augstā — bērniem nepieejamā — vietā. Neuzglabājiet ierīci blakus mēslojumam, benzīnam vai citām ķīmikālijām.

Apkārtējās vides aizsardzība



Neizmetiet elektroierīces, akumulatora lādētāju un baterijas/uzlādējamus akumulatorus māsaimniecības atkritumos! Saskaņā ar Eiropas Parlamenta un Padomes Direktīvu Nr. 2012/19/ES, kā arī Direktīvu Nr. 2006/66/EK nederīgas elektriskās un elektroniskās iekārtas un bojāti vai izlietoti akumulatori/baterijas jāsavāc atsevišķi. Ja elektroierīces tiek izmestas atkritumu poligonos vai izgāztuvēs, gruntsūdenī var iekļūt bīstamas vielas, piesārņojot barības ķēdi, kaitējot veselībai un labklājībai.

PROBLĒMU NOTEIKŠANA UN NOVĒRŠANA

PROBLĒMA	CĒĻONIS	RISINĀJUMS
Saru suku nevar iedarbināt.	<ul style="list-style-type: none"> ■ Instrumentgalvā nav pareizi ievietots akumulatoru bloks. ■ Starp instrumentgalvu un akumulatoru bloku nav elektriskā savienojuma. ■ Akumulatoru bloks ir izlādējies. ■ Vienlaikus nav nospiesta instrumentgalvas bloķēšanas svira un pārslēdzējs. ■ Joprojām nevar iedarbināt pēc iepriekšminēto iemeslu pārbaudišanas. 	<ul style="list-style-type: none"> ■ Ievietojiet instrumentgalvā akumulatora bloku. ■ Izņemiet akumulatoru, pārbaudiet kontaktus un ievietojiet to atpakaļ, līdz tas nofiksējas. ■ Uzlādējiet akumulatoru bloku ar šajā rokasgrāmatā norādītajiem EGO lādētājiem. ■ Nospiediet bloķēšanas sviru un turiet to, tad nospiediet pārslēdzēju, lai ieslēgtu ierīci. ■ Sazinieties ar EGO klientu apkalpošanas nodaļu.
Saru suka ir acīmredzami sabojājusies.	<ul style="list-style-type: none"> ■ Radies pārāk liels bojājums transportēšanas vai lietošanas laikā. 	<ul style="list-style-type: none"> ■ Sazinieties ar EGO klientu apkalpošanas nodaļu.
Tīrīšanas laikā saru suka pēkšņi apstājas.	<ul style="list-style-type: none"> ■ Motora pārslodze. ■ Pārāk stipri sakarsis akumulatoru bloks vai instrumentgalva. ■ Akumulatoru bloks ir atvienots no darbarīka. ■ Akumulatoru bloks ir izlādējies. ■ Joprojām nevar iedarbināt pēc iepriekšminēto iemeslu pārbaudišanas. 	<ul style="list-style-type: none"> ■ Motors pēc noslogojuma atbrīvošanas atsāks darboties. Lai tas darbotos nepārtraukti, samaziniet saru sukai slodzi. ■ Ļaujiet akumulatoru blokam vai instrumentgalvai atdzist, līdz temperatūra nokrītās zemāk par 67 °C. ■ Ielieciet atpakaļ akumulatoru bloku. ■ Uzlādējiet akumulatoru bloku ar šajā rokasgrāmatā norādītajiem EGO lādētājiem. ■ Sazinieties ar EGO klientu apkalpošanas nodaļu.

LV

GARANTĪJA

EGO GARANTĪJAS POLITIKA

Lūdzu, apmeklējiet tīmekļa vietni egopowerplus.com, kur pieejama pilna EGO garantijas politikas noteikumu un nosacījumu versija.

ΔΙΑΒΑΣΤΕ ΟΛΕΣ ΤΙΣ ΟΔΗΓΙΕΣ!



ΔΙΑΒΑΣΤΕ ΤΟ ΕΓΧΕΙΡΙΔΙΟ ΧΡΗΣΗΣ

⚠ Υπολειπόμενοι κίνδυνοι! Άνθρωποι που φέρουν ηλεκτρονικές συσκευές όπως βηματοδότες πρέπει να συμβουλευούνται τους γιατρούς τους, πριν τη χρήση αυτού του προϊόντος. Η λειτουργία ηλεκτρολογικού εξοπλισμού κοντά σε βηματοδότη μπορεί να προκαλέσει παρεμβολές ή βλάβη στο βηματοδότη.

⚠ ΠΡΟΕΙΔΟΠΟΙΗΣΗ: Προκειμένου να διασφαλιστεί η ασφάλεια και η αξιοπιστία, όλες οι επισκευές και οι αντικαταστάσεις πρέπει να πραγματοποιούνται από εξειδικευμένο τεχνικό σέρβις.

ΣΥΜΒΟΛΟ ΑΣΦΑΛΕΙΑΣ

Ο σκοπός των συμβόλων ασφάλειας είναι να σας επιστήσουν την προσοχή σε ενδεχόμενους κινδύνους. Προσέξτε και κατανοήστε τα σύμβολα ασφάλειας και τις επεξηγήσεις που τα συνοδεύουν. Τα σύμβολα προειδοποίησης από μόνα τους δεν εξαλείφουν κανέναν κίνδυνο. Οι οδηγίες και οι προειδοποιήσεις που παρέχουν δεν υποκαθιστούν τα κατάλληλα μέτρα πρόληψης ατυχημάτων.

⚠ ΠΡΟΕΙΔΟΠΟΙΗΣΗ: Βεβαιωθείτε ότι έχετε διαβάσει και κατανοήσει όλες τις οδηγίες ασφάλειας στο παρόν εγχειρίδιο χειριστή, συμπεριλαμβανομένων όλων των συμβόλων ασφάλειας όπως «ΚΙΝΔΥΝΟΣ», «ΠΡΟΕΙΔΟΠΟΙΗΣΗ» και «ΠΡΟΣΟΧΗ», προτού να χρησιμοποιήσετε αυτό το εργαλείο. Η μη τήρηση όλων των παρακάτω οδηγιών μπορεί να οδηγήσει σε ηλεκτροπληξία, πυρκαγιά και/ή σοβαρό τραυματισμό.

ΕΠΕΞΗΓΗΣΗ ΣΥΜΒΟΛΩΝ

GR

⚠ ΣΥΜΒΟΛΟ ΠΡΟΕΙΔΟΠΟΙΗΣΗΣ ΑΣΦΑΛΕΙΑΣ: Υποδηλώνει **ΚΙΝΔΥΝΟ**, **ΠΡΟΕΙΔΟΠΟΙΗΣΗ** ή **ΠΡΟΦΥΛΑΞΗ**, ενώ μπορεί να χρησιμοποιείται σε συνδυασμό με άλλα σύμβολα ή εικονογράμματα.



⚠ ΠΡΟΕΙΔΟΠΟΙΗΣΗ: Η λειτουργία ηλεκτρικών εργαλείων μπορεί να προκαλέσει την εκτόξευση ξένων αντικειμένων στα μάτια σας, με αποτέλεσμα σοβαρό τραυματισμό. Προτού ξεκινήσετε τη χρήση του ηλεκτρικού εργαλείου, φοράτε πάντα προστατευτικά γυαλιά ή γυαλιά με πλευρική προστασία και, εφόσον απαιτείται, πλήρη προστατευτική προσωπίδα. Συνιστούμε μια προσωπίδα ασφαλείας ευρείας όρασης, για χρήση πάνω από γυαλιά ή τα συνήθη προστατευτικά γυαλιά με πλευρική προστασία.

ΟΔΗΓΙΕΣ ΑΣΦΑΛΕΙΑΣ

Αυτή η σελίδα απεικονίζει και περιγράφει τα σύμβολα ασφάλειας που μπορεί να υπάρχουν επάνω στο προϊόν. Διαβάζετε, κατανοείτε και τηρείτε όλες τις οδηγίες επάνω στη μηχανή, προτού επιχειρήσετε να τη συναρμολογήσετε ή να τη χρησιμοποιήσετε.

	Προειδοποίηση ασφαλείας	Υποδηλώνει δυνητικό κίνδυνο τραυματισμού.
	Διαβάστε το εγχειρίδιο χρήσης	Προκειμένου να μειωθεί ο κίνδυνος τραυματισμού, ο χρήστης πρέπει να διαβάσει και να κατανοήσει το εγχειρίδιο χρήσης προτού να χρησιμοποιήσει αυτό το προϊόν.
	Φοράτε προστατευτικά γυαλιά	Φοράτε πάντοτε προστατευτικά γυαλιά ή γυαλιά ασφαλείας με πλευρική προστασία και πλήρη προστατευτική προσωπίδα κατά τη λειτουργία αυτού του προϊόντος.
	Διατηρείτε μακριά τους παρενυρισκόμενους	Διατηρείτε τους παρενυρισκόμενους σε ασφαλή απόσταση
	Φοράτε προστατευτικά γάντια	Προστατεύετε τα χέρια σας με γάντια κατά το χειρισμό λεπίδων. Τα ανθεκτικά, αντιολισθητικά γάντια βελτιώνουν το κράτημα και προστατεύουν τα χέρια σας.
	Φοράτε υποδήματα ασφαλείας	Φοράτε αντιολισθητικά υποδήματα ασφαλείας όταν χρησιμοποιείτε αυτό τον εξοπλισμό.
	Εξοστρακισμός	Αντικείμενα που εκτοξεύονται μπορεί να εξοστρακιστούν, προκαλώντας τραυματισμό ή υλικές ζημιές.
	Να μην εκτίθεται στη βροχή	Να μην χρησιμοποιείται στη βροχή και να μη μένει σε εξωτερικό χώρο όταν βρέχει.
	CE	Αυτό το προϊόν συμμορφώνεται με τις εφαρμοστές οδηγίες της ΕΚ.

	ΑΗΗΕ	Τα απόβλητα ηλεκτρικών προϊόντων δεν πρέπει να απορρίπτονται μαζί με τα οικιακά απορρίμματα. Παραδώστε τα σε εξουσιοδοτημένη μονάδα ανακύκλωσης.
	Θόρυβος	Εγγυημένη στάθμη ηχητικής ισχύος. Εκπομπές θορύβου στο περιβάλλον, σύμφωνα με την οδηγία της Ευρωπαϊκής Ένωσης.
V	Volt	Τάση
mm	Χιλιοστό	Μήκος ή μέγεθος
kg	Κιλό	Βάρος

ΓΕΝΙΚΕΣ ΠΡΟΕΙΔΟΠΟΙΗΣΕΙΣ ΑΣΦΑΛΕΙΑΣ ΓΙΑ ΤΑ ΗΛΕΚΤΡΙΚΑ ΕΡΓΑΛΕΙΑ

⚠️ ΠΡΟΕΙΔΟΠΟΙΗΣΗ! Μελετήστε όλες τις προειδοποιήσεις ασφαλείας, τις οδηγίες, τις εικόνες και τις προδιαγραφές που συνοδεύουν αυτό το ηλεκτρικό εργαλείο. Εάν δεν τηρηθούν όλες οι οδηγίες που αναφέρονται παρακάτω, μπορεί να προκληθεί ηλεκτροπληξία, φωτιά και/ή σοβαρός τραυματισμός.

Φυλάξτε όλες τις προειδοποιήσεις και τις οδηγίες για μελλοντική αναφορά.

ΑΣΦΑΛΕΙΑ ΣΤΟ ΧΩΡΟ ΕΡΓΑΣΙΑΣ

- Διατηρείτε την περιοχή εργασίας καθαρή και καλά φωτισμένη. Οι ακατάστατοι χώροι και οι χώροι με κακό φωτισμό ενισχύουν την πιθανότητα ατυχημάτων.
- Μη χρησιμοποιείτε ηλεκτρικά εργαλεία σε περιβάλλον με εύφλεκτη ατμόσφαιρα, όπως όταν υπάρχουν εύφλεκτα υγρά, αέρια ή σκόνη. Τα ηλεκτρικά εργαλεία δημιουργούν σπινθήρες που μπορεί να αναφλέξουν τη σκόνη ή τις αναθυμιάσεις.
- Κρατάτε τα παιδιά και τους παρευρισκόμενους μακριά, όταν χρησιμοποιείτε το ηλεκτρικό εργαλείο. Εάν κάτι αποσπάσει την προσοχή σας, μπορεί να χάσετε τον έλεγχο του εργαλείου.

ΗΛΕΚΤΡΙΚΗ ΑΣΦΑΛΕΙΑ

- Μην εκθέτετε τα ηλεκτρικά εργαλεία σε βροχή ή υγρασία. Εάν εισχωρήσει νερό στο ηλεκτρικό εργαλείο θα αυξηθεί ο κίνδυνος ηλεκτροπληξίας.

ΠΡΟΣΩΠΙΚΗ ΑΣΦΑΛΕΙΑ

- Να βρίσκεστε πάντα σε εγρήγορση, να προσέχετε

τι κάνετε και να εφαρμόζετε κοινή λογική όταν χρησιμοποιείτε ηλεκτρικά εργαλεία. Μη χρησιμοποιείτε ηλεκτρικά εργαλεία όταν είστε κουρασμένοι ή υπό την επήρεια ναρκωτικών, αλκοόλ ή φαρμάκων. Όταν χρησιμοποιείτε ηλεκτρικά εργαλεία, μια στιγμή απροσεξίας μπορεί να προκαλέσει σοβαρό τραυματισμό.

- Χρησιμοποιείτε πάντοτε μέσα ατομικής προστασίας. Η χρήση των κατάλληλων μέσων ατομικής προστασίας υπό τις ανάλογες συνθήκες, όπως προστασία για τα μάτια, μάσκα σκόνης, αντιολισθητικά παπούτσια ασφαλείας, κράνος και/ή ωτοασπίδες, μειώνει τον κίνδυνο τραυματισμού.
- Λαμβάνετε μέτρα για να μην ενεργοποιηθεί κατά λάθος το εργαλείο. Βεβαιώστε ότι ο διακόπτης βρίσκεται στη θέση απενεργοποίησης (OFF) προτού να συνδέσετε το ηλεκτρικό εργαλείο στο ρεύμα ή/και στη συστοιχία μπαταριών, ή όταν σηκώνετε ή μεταφέρετε το εργαλείο. Μη μεταφέρετε το ηλεκτρικό εργαλείο με το δάκτυλο πάνω στο διακόπτη και μη βάζετε το ηλεκτρικό εργαλείο στην τρίζα με ανοικτό το διακόπτη, διότι αυξάνεται ο κίνδυνος ατυχήματος.
- Προτού να ενεργοποιήσετε το ηλεκτρικό εργαλείο, αφαιρέστε οποιοδήποτε εργαλείο ρύθμισης ή κλειδί. Αν το εργαλείο ρύθμισης ή το κλειδί παραμείνει συνδεδεμένο στο περιστρεφόμενο εξάρτημα του ηλεκτρικού εργαλείου, μπορεί να προκληθεί τραυματισμός.
- Μην τεντώνετε υπερβολικά για να πραγματοποιήσετε την εργασία. Πατάτε πάντα σταθερά και διατηρείτε την ισορροπία σας. Έτσι θα ελέγχετε καλύτερα το ηλεκτρικό εργαλείο σε περίπτωση απροσδόκητων καταστάσεων.
- Φοράτε κατάλληλα ρούχα. Μη φοράτε φαρδιά ρούχα ή κοσμήματα. Κρατήστε τα μαλλιά, τα ρούχα και τα γάντια σας μακριά από κινούμενα μέρη. Χαλαρά ρούχα, κοσμήματα ή μακριά μαλλιά μπορεί να πιαστούν στα κινούμενα μέρη.
- Αν υπάρχει δυνατότητα σύνδεσης συσκευών απομάκρυνσης και συλλογής της σκόνης, βεβαιωθείτε ότι αυτές οι συσκευές έχουν συνδεθεί και χρησιμοποιούνται σωστά. Η χρήση συσκευών συλλογής σκόνης μπορεί να μειώσει τους κινδύνους που σχετίζονται με αυτή.
- Ακόμα κι εάν χρησιμοποιείτε συχνά ηλεκτρικά εργαλεία, μην εφησυχάζετε και μην παραβλέπετε τους βασικούς κανόνες ασφαλείας. Μια στιγμή απροσεξίας μπορεί να οδηγήσει σε σοβαρό τραυματισμό.

GR

ΧΡΗΣΗ ΚΑΙ ΦΡΟΝΤΙΔΑ ΤΟΥ ΗΛΕΚΤΡΙΚΟΥ ΕΡΓΑΛΕΙΟΥ

- **Μη ζορίζετε το ηλεκτρικό εργαλείο. Χρησιμοποιήστε το κατάλληλο ηλεκτρικό εργαλείο για την εκάστοτε εργασία.** Η εργασία θα πραγματοποιηθεί καλύτερα και ασφαλέστερα εάν χρησιμοποιηθεί το κατάλληλο ηλεκτρικό εργαλείο και στην ταχύτητα για την οποία έχει σχεδιαστεί.
- **Μη χρησιμοποιήσετε το ηλεκτρικό εργαλείο εάν δεν μπορείτε να το ενεργοποιήσετε και να το απενεργοποιήσετε από τον διακόπτη.** Κάθε ηλεκτρικό εργαλείο που δεν ελέγχεται από το διακόπτη είναι επικίνδυνο και απαιτεί επισκευή.
- **Αφαιρέστε τη συστοιχία μπαταριών, εφόσον είναι αποσπώμενη, από το ηλεκτρικό εργαλείο και/ή ενεργοποιήστε τυχόν συσκευή που απενεργοποιεί την μπαταρία, πριν από την αφαίρεση εγκλωβισμένου υλικού, την πραγματοποίηση ρυθμίσεων, την αλλαγή εξαρτημάτων, τον καθαρισμό ή την αποθήκευση ηλεκτρικών εργαλείων.** Με αυτό τον τρόπο, περιορίζεται ο κίνδυνος να ενεργοποιηθεί κατά λάθος το ηλεκτρικό εργαλείο.
- **Αποθηκεύετε τα ηλεκτρικά εργαλεία που δεν χρησιμοποιείτε σε μέρος όπου δεν πλησιάζουν παιδιά και μην αφήνετε να χρησιμοποιηθούν από άτομα που δεν είναι εξοικειωμένα με αυτά ή με τις οδηγίες τους.** Τα ηλεκτρικά εργαλεία είναι επικίνδυνα στα χέρια ατόμων που δεν έχουν εκπαιδευτεί στη χρήση τους.
- **Συντηρείτε σωστά τα ηλεκτρικά εργαλεία και τα βοηθητικά τους εξαρτήματα.** Ελέγχετε για κακή ευθυγράμμιση ή εμπλοκή των κινούμενων εξαρτημάτων, για σπασμένα εξαρτήματα και για κάθε άλλη κατάσταση που μπορεί να επηρεάσει τη λειτουργία του ηλεκτρικού εργαλείου. Εάν υποστεί ζημιά το ηλεκτρικό εργαλείο, επισκευάστε το προτού να το χρησιμοποιήσετε. Πολλά ατυχήματα οφείλονται σε κακώς συντηρημένα ηλεκτρικά εργαλεία και εξαρτήματα.
- **Διατηρείτε τα κοπτικά εξαρτήματα αιχμηρά και καθαρά.** Τα κοπτικά εργαλεία που έχουν συντηρηθεί σωστά και διαθέτουν αιχμηρές κόψεις είναι λιγότερο πιθανό να μπλοκάρουν, ενώ είναι ευκολότερα στο χειρισμό.
- **Χρησιμοποιείτε το ηλεκτρικό εργαλείο, τα εξαρτήματα, τις μύτες κλπ. σύμφωνα με αυτές τις οδηγίες, λαμβάνοντας υπόψη τις συνθήκες εργασίας και την προς εκτέλεση εργασία.** Η χρήση ενός ηλεκτρικού εργαλείου για λειτουργίες διαφορετικές από αυτές για τις οποίες προορίζεται είναι πιθανόν να οδηγήσει σε επικίνδυνες καταστάσεις.

- **Διατηρείτε τις λαβές και την επιφάνεια συγκράτησης του εργαλείου στεγνές και καθαρές, χωρίς λάδια και γράσα.** Εάν γλιστρούν οι λαβές και οι επιφάνειες συγκράτησης δε θα μπορέσετε να χειριστείτε με ασφάλεια το εργαλείο, ούτε θα μπορείτε να το ελέγξετε εάν προκύψει κάποια απροσδόκητη κατάσταση.

ΧΡΗΣΗ ΚΑΙ ΦΡΟΝΤΙΔΑ ΤΟΥ ΕΡΓΑΛΕΙΟΥ ΜΕ ΜΠΑΤΑΡΙΑ

- **Επαναφορτίζετε το εργαλείο μόνο με τον φορτιστή που ορίζεται από τον κατασκευαστή.** Οι φορτιστές που είναι κατάλληλοι για κάποιο συγκεκριμένο τύπο συστοιχίας μπαταριών μπορεί να προκαλέσουν πυρκαγιά εάν χρησιμοποιηθούν με άλλο τύπο.
- **Χρησιμοποιήστε το ηλεκτρικό εργαλείο μόνο με τη συγκεκριμένη συστοιχία μπαταριών που προορίζεται για αυτό.** Εάν χρησιμοποιηθεί οποιαδήποτε άλλη συστοιχία μπαταριών, μπορεί να προκληθεί τραυματισμός και πυρκαγιά.
- **Όταν η συστοιχία μπαταριών δε χρησιμοποιείται, φυλάσσετε τη μακριά από μεταλλικά αντικείμενα όπως συνδετήρες, νομίσματα, κλειδιά, καρφιά, βίδες ή άλλα μικρά μεταλλικά αντικείμενα, τα οποία μπορεί να δημιουργήσουν σύνδεση μεταξύ των ακροδεκτών.** Το βραχυκύκλωμα των ακροδεκτών της συστοιχίας μπαταριών μεταξύ τους ενδέχεται να προκαλέσει έγκαιμα ή πυρκαγιά.
- **Σε συνθήκες κακής χρήσης, μπορεί να διαρρεύσει υγρό από την μπαταρία. Μην το αγγίζετε. Σε περίπτωση τυχαίας επαφής, ξεπλύνετε καλά με νερό. Αν το υγρό έρθει σε επαφή με τα μάτια, απευθυνθείτε επιπροσθέτως σε γιατρό.** Το υγρό που διαρρέει από τη συστοιχία μπαταριών μπορεί να προκαλέσει ερεθισμό ή εγκαύματα.
- **Μη χρησιμοποιείτε τη συστοιχία μπαταριών ή το εργαλείο εάν έχουν υποστεί ζημιά ή έχουν τροποποιηθεί.** Οι συστοιχίες μπαταριών που έχουν υποστεί ζημιά ή έχουν τροποποιηθεί μπορεί να έχουν απρόβλεπτη συμπεριφορά και να προκαλέσουν πυρκαγιά, έκρηξη ή τραυματισμό.
- **Η συστοιχία μπαταριών και το εργαλείο δεν πρέπει να εκτίθενται σε φωτιά ή υπερβολικά υψηλή θερμοκρασία.** Η έκθεση σε φωτιά ή σε θερμοκρασία πάνω από 100 °C μπορεί να προκαλέσει έκρηξη.
- **Ακολουθείτε όλες τις οδηγίες σχετικά με τη φόρτιση και μη φορτίζετε τη συστοιχία μπαταριών ή το εργαλείο εκτός του εύρους θερμοκρασίας που αναφέρεται στις οδηγίες.** Αν η φόρτιση δεν γίνει σωστά ή πραγματοποιηθεί σε θερμοκρασία εκτός του καθορισμένου εύρους, η συστοιχία μπαταριών μπορεί να υποστεί ζημιά και να αυξηθεί ο κίνδυνος πυρκαγιάς.

ΑΛΛΕΣ ΠΡΟΕΙΔΟΠΟΙΗΣΕΙΣ ΑΣΦΑΛΕΙΑΣ

Εκπαίδευση

- Διαβάστε με προσοχή τις οδηγίες. Εξοικειωθείτε με τα χειριστήρια και τη σωστή χρήση της μηχανής.
- Μην επιτρέπετε ποτέ σε άτομα μη εξοικειωμένα με αυτές τις οδηγίες ή σε παιδιά να χρησιμοποιήσουν το μηχάνημα. Οι τοπικοί κανονισμοί ενδέχεται να επιβάλλουν περιορισμό στην ηλικία του χειριστή.
- Μην πραγματοποιείτε ποτέ εργασίες όταν υπάρχουν κοντά άνθρωποι – ειδικά παιδιά– ή κατοικίδια ζώα.
- Έχετε υπόψη σας, ότι ο χειριστής ή ο χρήστης ευθύνεται αποκλειστικά για ατυχήματα ή κινδύνους που προκύπτουν για τρίτους ή την περιουσία τους.

Προετοιμασία

- Κατά τη διάρκεια της εργασίας, φοράτε πάντα γερά παπούτσια και μακρύ παντελόνι. Μη χρησιμοποιήσετε τον εξοπλισμό ξυπόλητοι ή όταν φοράτε σανδάλια.
- Επιθεωρήστε με προσοχή το χώρο στον οποίο πρόκειται να χρησιμοποιηθεί ο εξοπλισμός και απομακρύνετε όλα τα αντικείμενα τα οποία μπορεί να πεταχτούν από το μηχάνημα.
- Πριν από τη χρήση, να επιθεωρείτε πάντα οπτικά για να βεβαιώσετε ότι τα εργαλεία δεν έχουν υποστεί φθορά ή βλάβη. Αντικαθιστάτε τα φθαρμένα ή κατεστραμμένα εξαρτήματα και μπουλόνια ταυτόχρονα, ώστε να διασφαλίσετε την ισορροπία.

Λειτουργία

- Μη θέτετε σε λειτουργία τον κινητήρα σε περιορισμένο χώρο όπου μπορεί να συγκεντρωθούν επικίνδυνες αναθυμιάσεις μονοξειδίου του άνθρακα.
- Να εργάζεστε μόνο στο φως τις ημέρας ή κάτω από δυνατό τεχνητό φωτισμό.
- Εξασφαλίστε τη σταθερή σας στάση σε κεκλιμένο έδαφος.
- Να περπατάτε, ποτέ να μην τρέχετε με το μηχάνημα.
- Όταν χρησιμοποιείτε προχωφόρες μηχανές, να εργάζεστε κατά μήκος του κεκλιμένου εδάφους, ποτέ ανοδικά ή καθοδικά.
- Να είστε ιδιαίτερα προσεκτικοί όταν αλλάζετε κατεύθυνση στις πλαγιές.
- Μην εργάζεστε σε πολύ απόκρημνες πλαγιές.
- Προσέχετε ιδιαίτερα όταν κινείτε τη μηχανή όπισθεν ή την τραβάτε προς το μέρος σας.
- Μην αλλάζετε τις ρυθμίσεις του ρυθμιστή στροφών κινητήρα ή κάνετε υπέρβαση ταχύτητας του κινητήρα.
- Ενεργοποιήστε τον κινητήρα προσεκτικά, σύμφωνα με τις οδηγίες του κατασκευαστή και έχοντας τα πόδια σας αρκετά μακριά από το εργαλείο.

- Μην τοποθετείτε τα χέρια ή τα πόδια σας κοντά σε ή κάτω από περιστρεφόμενα εξαρτήματα.
- Ποτέ μην σηκώνετε ή μεταφέρετε μια μηχανή με τον κινητήρα σε λειτουργία.

ΛΕΙΤΟΥΡΓΙΑ ΣΕ ΚΕΚΛΙΜΕΝΗ ΕΠΙΦΑΝΕΙΑ:

Τα εδάφη με κλίση αποτελούν σημαντικό παράγοντα ατυχημάτων ολίσθησης και πτώσης, τα οποία μπορεί να προκαλέσουν σοβαρούς τραυματισμούς. Εξασφαλίστε τη σταθερή σας στάση σε κεκλιμένο έδαφος. Η χρήση σε εδάφη με κλίση απαιτεί επιπλέον προσοχή. Εάν αισθάνεστε αστάθεια σε επιφάνεια με κλίση, να μην εργαστείτε εκεί.

- Προσέχετε οπές, αυλάκια, πέτρες, κρυμμένα αντικείμενα ή προεξοχές από τα οποία μπορεί να γλιστρήσετε ή σκονάψετε. Το ψηλό γρασίδι μπορεί να κρύβει τα εμπόδια.

ΣΕΡΒΙΣ

- Το ηλεκτρικό εργαλείο πρέπει να επισκευάζεται μόνο από πιστοποιημένο επαγγελματία, χρησιμοποιώντας μόνο πανομοιότυπα ανταλλακτικά. Έτσι διασφαλίζεται η ασφαλής λειτουργία του ηλεκτρικού εργαλείου.
- Μην επιχειρήσετε να επισκευάσετε συστοιχία μπαταριών που έχει υποστεί ζημιά. Η συστοιχία μπαταριών πρέπει να επισκευάζεται μόνο από τον κατασκευαστή ή από εξουσιοδοτημένα κέντρα σέρβις.

⚠ ΠΡΟΕΙΔΟΠΟΙΗΣΗ: Μελετήστε όλες τις προειδοποιήσεις ασφαλείας, τις οδηγίες, τις εικόνες και τις προδιαγραφές που συνοδεύουν αυτό το ηλεκτρικό εργαλείο. Εάν δεν τηρηθούν όλες οι οδηγίες που αναφέρονται παρακάτω, μπορεί να προκληθεί ηλεκτροπληξία, φωτιά και/ή σοβαρός τραυματισμός. Φυλάξτε όλες τις προειδοποιήσεις και τις οδηγίες για μελλοντική αναφορά.

- Να χρησιμοποιείται μόνο με τις συστοιχίες μπαταριών και τους φορτιστές που αναφέρονται στην εικ. Α.

ΦΥΛΑΞΤΕ ΑΥΤΕΣ ΤΙΣ ΟΔΗΓΙΕΣ

ΤΕΧΝΙΚΕΣ ΠΡΟΔΙΑΓΡΑΦΕΣ

Διάμετρος τύμπανου βούρτσας	250 χιλ.
Τμήμα καθαρισμού	560 χιλ.
Προτεινόμενη θερμοκρασία λειτουργίας	-15°C-40°C
Προτεινόμενη θερμοκρασία αποθήκευσης	-20°C - 70°C

Βάρος (συμπεριλαμβανομένου του προστατευτικού)	5,05 κιλά	
Μετρημένη στάθμη ηχητικής ισχύος L_{WA}	91,4 dB(A) K=2,02 dB(A)	
Στάθμη ηχητικής πίεσης στο αυτί του χειριστή L_{PA}	82,8 dB(A) K=2,5 dB(A)	
Εγγυημένη στάθμη ηχητικής ισχύος L_{WA} (μετρημένη κατά 2000/14/ΕΚ)	93 dB(A)	
Αξιολόγηση δονήσεων a_h	Λαβή μπροστινής υποβοήθησης	0,46 m/s^2 K= 1,5 m/s^2
	Οπίσθια λαβή	1,43 m/s^2 K= 1,5 m/s^2

- Οι παραπάνω παράμετροι έχουν ελεγχθεί και μετρηθεί με εξοπλισμό ηλεκτρικής κεφαλής PH1400E.
- Η αναφερόμενη συνολική τιμή κραδασμών έχει μετρηθεί σύμφωνα με την πρότυπη μέθοδο ελέγχου και μπορεί να χρησιμοποιηθεί για τη σύγκριση ενός εργαλείου με κάποιο άλλο.
- Η αναφερόμενη συνολική τιμή κραδασμών μπορεί να χρησιμοποιηθεί, επίσης, για την προκαταρκτική αξιολόγηση της έκθεσης.

ΣΗΜΕΙΩΣΗ: Οι εκπομπές κραδασμών κατά τη διάρκεια της πραγματικής χρήσης του ηλεκτρικού εργαλείου μπορεί να διαφέρουν από τη δηλωμένη τιμή στην οποία χρησιμοποιείται το εργαλείο. Για την προστασία του χειριστή, πρέπει να χρησιμοποιούνται γάντια και προστασία της ακοής στις πραγματικές συνθήκες χρήσης.

ΚΑΤΑΛΟΓΟΣ ΕΞΑΡΤΗΜΑΤΩΝ ΣΥΣΚΕΥΑΣΙΑΣ

GR

ΟΝΟΜΑ ΕΞΑΡΤΗΜΑΤΟΣ	ΠΟΣΟΤΗΤΑ
Προσάρτημα βούρτσας καθαρισμού	1
Κύλινδρος βούρτσας	2
Άξονας οδήγησης	2
Καλύπτρα (με μπουλόني)	1
Κλειδί Άλλεν	1
Πείρος σύνδεσης	2
Πείρος ασφάλισης	2
Εγχειρίδιο χρήσης	1

ΠΕΡΙΓΡΑΦΗ

ΓΝΩΡΙΣΤΕ ΤΟ ΠΡΟΣΑΡΤΗΜΑ ΒΟΥΡΤΣΑΣ ΚΑΘΑΡΙΣΜΟΥ (Εικ. Α)

1. Τερματικό πώμα
2. Άξονας προσαρήματος βούρτσας καθαρισμού
3. Καλύπτρα
4. Κύλινδρος βούρτσας
5. Κουτί οδοντοτροχού
6. Πείρος σύνδεσης
7. Κλειδί Άλλεν

ΣΥΝΑΡΜΟΛΟΓΗΣΗ

⚠️ ΠΡΟΕΙΔΟΠΟΙΗΣΗ: Σε περίπτωση που κάπιο από τα εξαρτήματα έχουν υποστεί ζημιά ή λείπουν, μη χρησιμοποιήσετε το προϊόν, μέχρι να αντικατασταθούν. Η χρήση αυτού του προϊόντος με φθαρμένα ή ελλειπή εξαρτήματα μπορεί να έχει ως αποτέλεσμα σοβαρό τραυματισμό.

⚠️ ΠΡΟΕΙΔΟΠΟΙΗΣΗ: Μην επιχειρήσετε να τροποποιήσετε αυτό το εργαλείο ή να δημιουργήσετε εξαρτήματα που δεν συνιστώνται για χρήση με αυτή τη μηχανή. Κάθε παρόμοια μετατροπή ή τροποποίηση συνιστά κακή χρήση και μπορεί να δημιουργήσει επικίνδυνες καταστάσεις με επακόλουθο τον σοβαρό τραυματισμό.

⚠️ ΠΡΟΕΙΔΟΠΟΙΗΣΗ: Για να εμποδίσετε την τυχαία εκκίνηση που θα μπορούσε να προκαλέσει σοβαρό τραυματισμό, απομακρύνετε πάντα τη συσταχία συσσωρευμάτων από το εργαλείο όταν συναρμολογείτε εξαρτήματά.

⚠️ ΠΡΟΕΙΔΟΠΟΙΗΣΗ: Μη συνδέετε τη βούρτσα καθαρισμού στην ηλεκτρική κεφαλή, μέχρι να ολοκληρωθεί η συναρμολόγηση. Σε αντίθετη περίπτωση ενέχει κίνδυνο τυχαίας ενεργοποίησης και επακόλουθου σοβαρού τραυματισμού.

ΠΡΟΣΑΡΤΗΣΗ ΚΑΛΥΠΤΡΑΣ

⚠️ ΠΡΟΕΙΔΟΠΟΙΗΣΗ: Εγκαταστήστε την καλύπτρα προτού συνδέσετε τη βούρτσα καθαρισμού στην ηλεκτρική κεφαλή.

1. Λασκάρετε και απομακρύνετε το μπουλόني από την καλύπτρα με το παρεχόμενο κλειδί Άλλεν (Εικ. Β).
2. Σηκώστε το προσάρτημα βούρτσας καθαρισμού και απομακρύνετε το τερματικό πώμα από τον άξονα.
3. Με ευθυγραμμισμένη τη υποδοχή στην καλύπτρα με την ενίσχυση στο άκρο του άξονα περάστε την καλύπτρα μέσα από τον άξονα μέχρι οι οπές βίδας στην καλύπτρα και στον άξονα να είναι ευθυγραμμισμένες (Εικ. C & D).

Εικ. C & D Για την περιγραφή των εξαρτημάτων δείτε παρακάτω:

C-1	Υποδοχή
C-2	Ενίσχυση
D-1	Μπουλόνι

- Χρησιμοποιήστε το παρεχόμενο κλειδί Άλλεν για να σφίξετε δεξιόστροφα το μπουλόνι για μια σωστή ασφάλιση της καλύπτρας.

ΤΟΠΟΘΕΤΗΣΗ ΤΩΝ ΚΥΛΙΝΔΡΩΝ ΒΟΥΡΤΣΑΣ

- Ωθήστε τον άξονα οδήγησης επάνω στον άξονα που οδηγείται (Εικ. Ε).

Εικ. Ε Περιγραφή εξαρτημάτων, δείτε παρακάτω:

E-1	Άξονας που οδηγείται
E-2	Άξονας οδήγησης

- Για την ασφάλιση του άξονα οδήγησης στον άξονα που οδηγείται, εισαγάγετε τον πείρο ασφάλισης μέσα στην οπή ασφάλισης.

ΣΗΜΕΙΩΣΗ: Ο πείρος ασφάλισης πρέπει να εγκατασταθεί στη θέση του (Εικ. F).

Εικ. F Για περιγραφή των εξαρτημάτων, βλ. παρακάτω:

F-1	Πείρος ασφάλισης
F-2	Οπή ασφάλισης

- Τηρείτε τα ίδια βήματα για την τοποθέτηση του άλλου άξονα οδήγησης.
- Ωθήστε τον κύλινδρο βούρτσας επάνω στον άξονα οδήγησης (Εικ. G).

Για την περιγραφή των εξαρτημάτων της Εικ. G, βλ. παρακάτω:

G-1	Κύλινδρος βούρτσας
G-2	Άξονας οδήγησης

- Εισαγάγετε τον πείρο σύνδεσης μέσα στην οπή στο άκρο για να ασφαλίσετε τον κύλινδρο βούρτσας στον άξονα οδήγησης (Εικ. Η).

Εικ. Η Περιγραφή εξαρτημάτων, δείτε παρακάτω:

H-1	Πείρος σύνδεσης
-----	-----------------

- Τηρείτε τα ίδια βήματα για την τοποθέτηση του άλλου κυλίνδρου βούρτσας.

ΣΥΝΔΕΣΗ ΤΟΥ ΠΡΟΣΑΡΤΗΜΑΤΟΣ ΒΟΥΡΤΣΑΣ ΚΑΘΑΡΙΣΜΟΥ ΣΤΗΝ ΗΛΕΚΤΡΙΚΗ ΚΕΦΑΛΗ

⚠ ΠΡΟΕΙΔΟΠΟΙΗΣΗ: Ποτέ μην προσαρτάτε ή ρυθμίζετε οποιοδήποτε προσάρτημα ενώ λειτουργεί η ηλεκτρική κεφαλή ή με τοποθετημένη την μπαταρία. Εάν δεν σταματήσετε το μοτέρ ή δεν απομακρύνετε τη μπαταρία, μπορεί να προκληθεί σοβαρός ατομικός τραυματισμός.

Αυτό το προσάρτημα βούρτσας καθαρισμού έχει σχεδιαστεί για χρήση με την ηλεκτρική κεφαλή EGO RH1400E.

- Σταματήστε το μοτέρ και αφαιρέστε το πακέτο μπαταριών
- Λασκάρτε την πεταλούδα στον ζεύκτη ηλεκτρικής κεφαλής.
- Εάν το τερματικό πώμα βρίσκεται στον άξονα προσαρτήματος απομακρύνετε το και αποθηκεύστε το σε ένα ασφαλές σημείο για μετέπειτα χρήση.

Ευθυγραμμίστε το βέλος στον άξονα βούρτσας καθαρισμού με το βέλος στη συσκευή ζεύξης (Εικ. Ι) και πιέστε τον άξονα βούρτσας καθαρισμού μέσα στη συσκευή ζεύξης, έως ότου ακούσετε έναν ήχο «ΚΛΙΚ» (Εικ. J).

Εικ. Ι Περιγραφή εξαρτημάτων, δείτε παρακάτω:

I-1	Κουμπί απελευθέρωσης άξονα
I-2	Βέλος στη συσκευή ζεύξης
I-3	Πεταλούδα
I-4	Βέλος στον άξονα προσαρτήματος
I-5	Κόκκινη γραμμή

Για την περιγραφή των εξαρτημάτων της Εικ. J, βλ. παρακάτω:

J-1	Κόκκινη γραμμή
-----	----------------

- Τραβήξτε ελαφρά τον άξονα του προσαρτήματος βούρτσας καθαρισμού για να βεβαιωθείτε ότι έχει κλειδώσει με ασφάλεια μέσα στη συσκευή ζεύξης. Εάν δεν έχει κλειδώσει με ασφάλεια μετακινήστε τον άξονα βούρτσας καθαρισμού πίσω και εμπρός στη συσκευή ζεύξης μέχρι ένας σαφής ήχος «ΚΛΙΚ» να υποδηλώσει ότι έχει εμπλακεί.
- Σφίξτε με ασφάλεια την πεταλούδα.

⚠ ΠΡΟΕΙΔΟΠΟΙΗΣΗ: Βεβαιωθείτε ότι η πεταλούδα στη συσκευή ζεύξης έχει σφίχτεί πλήρως προτού θέσετε σε λειτουργία τον εξοπλισμό. Ελέγχετε την ανά τακτά χρονικά διαστήματα για το σφίξιμο ενώ χρησιμοποιείτε τη συσκευή, προς αποφυγή σοβαρού ατομικού τραυματισμού.

ΑΠΟΜΑΚΡΥΝΣΗ ΤΟΥ ΠΡΟΣΑΡΤΗΜΑΤΟΣ ΑΠΟ ΤΗΝ ΗΛΕΚΤΡΙΚΗ ΚΕΦΑΛΗ

- Σταματήστε το μοτέρ και αφαιρέστε το πακέτο μπαταρίας.

2. Λασκάρτε την πεταλούδα.
3. Με πατημένο το κουμπί αποδέσμευσης άξονα τραβήξτε ή περιστρέψτε το προσάρτημα βούρτσας καθαρισμού έξω από τη συσκευή ζεύξης για να το απομακρύνετε από την ηλεκτρική κεφαλή.

ΛΕΙΤΟΥΡΓΙΑ

⚠️ ΠΡΟΕΙΔΟΠΟΙΗΣΗ: Η εξοικειώσή σας με αυτό το προϊόν δε θα πρέπει να σας κάνει λιγότερο προσεκτικούς. Θυμηθείτε πως ένα κλάσμα δευτερολέπτου απροσεξίας μπορεί να προκαλέσει σοβαρό τραυματισμό.

⚠️ ΠΡΟΕΙΔΟΠΟΙΗΣΗ: Φοράτε πάντα προστασία για τα μάτια μαζί με προστασία ακοής. Σε αντίθετη περίπτωση, είναι πιθανό να υπάρξει εκτόξευση αντικειμένων στα μάτια σας και άλλοι πιθανοί σοβαροί τραυματισμοί.

⚠️ ΠΡΟΕΙΔΟΠΟΙΗΣΗ: Μη χρησιμοποιείτε εξαρτήματα που δε συνιστώνται από τον κατασκευαστή αυτού του προϊόντος. Η χρήση παρελκόμενων ή εξαρτημάτων που δε συνιστώνται από τον κατασκευαστή, ενέχει τον κίνδυνο σοβαρού τραυματισμού.

ΕΦΑΡΜΟΓΕΣ

Μπορείτε να χρησιμοποιήσετε αυτό το προϊόν για τους κατωτέρω αναφερόμενους σκοπούς:

- Καθαρισμό τομέων και διαδρόμων, συμπεριλαμβανομένων ανώμαλων και διακεκομμένων επιφανειών.
- Καθαρισμό σε δρομάκια πεζοδρομίων/από τσιμέντο/άσφαλο, σε περάσματα και κήπους.

⚠️ ΠΡΟΕΙΔΟΠΟΙΗΣΗ: Ντύνεστε κατάλληλα για τη μείωση κινδύνου τραυματισμού κατά τη λειτουργία αυτού του εργαλείου. Μη φοράτε φαρδιά ρούχα ή κοσμήματα. Φοράτε προστατευτικά γυαλιά. Φοράτε βαριά, μακριά παντελόνια, μπότες και γάντια. Μη φοράτε κοντά παντελόνια, σανδάλια και μην είστε ζυπόλυτοι.

Εάν η επιφάνεια που θα καθαριστεί είναι στεγνή, ψεκάζετε την με νερό ώστε να μειώνεται η ποσότητα σκόνης που δημιουργείται.

Πρέπει να εργάζεστε με τη βούρτσα καθαρισμού προς τα εμπρός. Κρατάτε τη βούρτσα καθαρισμού με το ένα χέρι στην οπίσθια χειρολαβή και το άλλο χέρι στη λαβή μπροστινής υποβοήθησης. Κρατάτε σφιχτά και με τα δύο χέρια ενώ χειρίζεστε τη βούρτσα καθαρισμού.

Κρατάτε και οδηγείτε τη βούρτσα καθαρισμού σε επίπεδη γωνία. Εάν κρατάτε τη βούρτσα καθαρισμού σε πολύ μεγάλη γωνία, αυτή τείνει να ωθείται πίσω προς τον χειριστή.

Διατηρείτε καλή στάση και ισορροπία και στα δύο πόδια (Εικ. Κ).

Υλικά που πετάγονται μπορεί να προκαλέσουν σοβαρό τραυματισμό στο χειριστή ή παρευρισκόμενους. Για να μειώσετε τον κίνδυνο ατομικού τραυματισμού είναι σημαντικό να τηρείτε τα εξής προληπτικά μέτρα:

- Να κρατάτε πάντα τη βούρτσα καθαρισμού και με τα δύο χέρια κατά το χειρισμό. Κρατάτε σφιχτά και από τις δύο λαβές.
- Μετακινήστε τη βούρτσα καθαρισμού στον τομέα εργασίας προτού εκκινήσετε και σταματήσετε τη βούρτσα καθαρισμού σε χαμηλότερη ταχύτητα.
- Για να μειώσετε τον κίνδυνο τραυματισμού λόγω απώλειας ελέγχου, κρατάτε και οδηγείτε τη βούρτσα καθαρισμού σε επίπεδη γωνία. Εάν κρατάτε τη βούρτσα καθαρισμού σε πολύ μεγάλη γωνία, αυτή τείνει να ωθείται πίσω προς τον χειριστή.

Πριν από κάθε χρήση ελέγχετε για εξαρτήματα με ζημιές/φθορές

Ελέγχετε τον κύλινδρο βούρτσας καθαρισμού, το προστατευτικό, τη λαβή μπροστινής υποβοήθησης και τον άξονα οδήγησης και αντικαθιστάτε τα εξαρτήματα που έχουν ρωγμές, παραμόρφωση, λυγίσματα ή ζημιές οποιοσδήποτε είδους.

Καθαρίζετε τη βούρτσα καθαρισμού μετά από κάθε χρήση

Δείτε το απόσπασμα Συντήρηση για οδηγίες καθαρισμού.

ΕΝΕΡΓΟΠΟΙΗΣΗ/ΑΠΕΝΕΡΓΟΠΟΙΗΣΗ ΤΟΥ ΕΡΓΑΛΕΙΟΥ

Βλ. «ΕΝΕΡΓΟΠΟΙΗΣΗ/ΑΠΕΝΕΡΓΟΠΟΙΗΣΗ ΤΗΣ ΗΛΕΚΤΡΙΚΗΣ ΚΕΦΑΛΗΣ» στο εγχειρίδιο χρήσης της ηλεκτρικής κεφαλής RH1400E

ΣΥΝΤΗΡΗΣΗ

⚠️ ΠΡΟΕΙΔΟΠΟΙΗΣΗ: Κατά τη συντήρηση του εργαλείου, χρησιμοποιείτε μόνο όμοια ανταλλακτικά. Η χρήση οποιωνδήποτε άλλων εξαρτημάτων μπορεί να προκαλέσει κίνδυνο ή υλικές ζημιές. Για να διασφαλιστεί η ασφάλεια και η αξιοπιστία, όλες οι επισκευές πρέπει να διεξάγονται από εξειδικευμένο τεχνικό σέρβις.

⚠️ ΠΡΟΕΙΔΟΠΟΙΗΣΗ: Τα εργαλεία μπαταρίας δε χρειάζεται να συνδεθούν σε ηλεκτρική πρίζα. Γι' αυτό και βρίσκονται πάντοτε σε κατάσταση λειτουργίας. Προκειμένου να αποφευχθεί σοβαρός τραυματισμός, λαμβάνετε επιπρόσθετα προληπτικά μέτρα και προσέχετε όταν διεξάγετε συντήρηση, επισκευή ή όταν αλλάζετε προσάρτημα κοπής ή άλλα προσαρτήματα.

⚠️ ΠΡΟΕΙΔΟΠΟΙΗΣΗ: Για να εμποδίσετε σοβαρό ατομικό τραυματισμό, απομακρύνετε το πακέτο μπαταρίας από την ηλεκτρική κεφαλή και περιμένετε να σταματήσει ο κύλινδρος βούρτσας πριν από εργασίες σέρβις, καθαρισμού, αλλαγής τοποθετημένων προσαρτημάτων ή όταν δεν χρησιμοποιείται το προϊόν.

ΓΕΝΙΚΗ ΣΥΝΤΗΡΗΣΗ

⚠️ ΠΡΟΕΙΔΟΠΟΙΗΣΗ: Μην επιτρέψετε ποτέ να έρθουν σε επαφή τα πλαστικά εξαρτήματα με υγρά φρένων, βενζίνη, πετρελαϊκά προϊόντα, διεισδυτικά λάδια, κτλ. Τα χημικά μπορούν να φθείρουν, να λεπτύνουν ή να καταστρέψουν τα πλαστικά εξαρτήματα με κίνδυνο σοβαρού τραυματισμού.

⚠️ ΠΡΟΕΙΔΟΠΟΙΗΣΗ: Όταν καθαρίσετε το προσάρτημα βούρτσας καθαρισμού, ΜΗΝ το βυθίζετε σε νερό ή άλλα υγρά. Μη χρησιμοποιείτε πλυστικό μηχάνημα υψηλής πίεσης για τον καθαρισμό του μηχανήματος. Η ισχυρή δέσμη νερού μπορεί να προκαλέσει ζημιά στα εξαρτήματα του μηχανήματος.

ΣΥΝΤΗΡΗΣΗ ΤΟΥ ΚΥΛΙΝΔΡΟΥ ΒΟΥΡΤΣΑΣ

- Καθαρίζετε τακτικά τον κύλινδρο βούρτσας.
- Εάν κάποιος από τους κυλίνδρους βούρτσας χρειάζεται αντικατάσταση λόγω ζημιάς, αντικαθιστάτε και τους δύο κυλίνδρους βούρτσας για καλύτερη απόδοση.

Όλες οι εργασίες σέρβις της βούρτσας καθαρισμού που δεν αναφέρονται στις παρούσες οδηγίες συντήρησης πρέπει να διεξάγονται από εξουσιοδοτημένο προσωπικό του σέρβις.

ΑΝΤΙΚΑΤΑΣΤΑΣΗ ΤΩΝ ΚΥΛΙΝΔΡΩΝ ΒΟΥΡΤΣΑΣ

⚠️ ΠΡΟΕΙΔΟΠΟΙΗΣΗ: Ένας χαλασμένος κύλινδρος βούρτσας μπορεί να σπάσει μετά από μακρά χρήση με αποτέλεσμα την πρόκληση επικίνδυνων εκτοξεύσεων. Αντικείμενα που πετάνονται μπορεί να προκαλέσουν σοβαρό τραυματισμό. Ελέγχετε τη βούρτσα καθαρισμού τακτικά και μην την θέτετε σε λειτουργία με φθαρμένα ή χαλασμένα εξαρτήματα.

Αφαίρεση (Εικ. L)

1. Απομακρύνετε τον πείρο σύνδεσης από το άκρο του άξονα οδήγησης.
2. Τραβήξτε τον κύλινδρο βούρτσας μαζί με την πλάκα επικάλυψης από τον άξονα οδήγησης.
3. Εάν ο άξονας οδήγησης έχει φθορές, απομακρύνετε τον πείρο ασφάλισης από την οπή του άξονα οδήγησης και τραβήξτε τον άξονα οδήγησης από τον άξονα οδήγησης (Εικ. M).

4. Εάν η πλάκα επικάλυψης έχει ζημιές, τραβήξτε την από τον κύλινδρο βούρτσας και αντικαταστήστε την.
5. Τηρείτε τα ίδια βήματα για την απομάκρυνση του άλλου κυλίνδρου βούρτσας.

Εικ. L Για την περιγραφή των εξαρτημάτων δείτε παρακάτω:

L-1	Άξονας που οδηγείται	L-4	Πείρος σύνδεσης
L-2	Πείρος ασφάλισης	L-5	Πλάκα επικάλυψης
L-3	Κύλινδρος βούρτσας	L-6	Άξονας οδήγησης

Για την εγκατάσταση

1. Εγκαταστήστε τον άξονα οδήγησης επάνω στον άξονα οδήγησης και εισαγάγετε τον πείρο ασφάλισης μέσα στην οπή στον άξονα οδήγησης (δείτε την Εικ. F).
2. Εγκαταστήστε την πλάκα επικάλυψης επάνω στον κύλινδρο βούρτσας με την ενίσχυση στην πλάκα επικάλυψης ευθυγραμμισμένη με την οπή στον κύλινδρο βούρτσας (Εικ. N).

Εικ. N Περιγραφή εξαρτημάτων, δείτε παρακάτω:

N-1	Οπή
N-2	Ενίσχυση

3. Ωθήστε τον κύλινδρο βούρτσας επάνω στον άξονα οδήγησης (δείτε την Εικ. G).
4. Εισαγάγετε τον πείρο σύνδεσης στην οπή στο άκρο του άξονα οδήγησης και διπλώστε.
5. Τηρείτε τα ίδια βήματα για την τοποθέτηση του άλλου κυλίνδρου βούρτσας.

⚠️ ΠΡΟΕΙΔΟΠΟΙΗΣΗ: Αντικαθιστάτε πάντα και τους δύο κυλίνδρους βούρτσας ταυτόχρονα.

ΚΑΘΑΡΙΣΜΟΣ ΤΗΣ ΜΟΝΑΔΑΣ

- Αφαιρέστε τη μπαταρία.
- Απομακρύνετε τα τεμάχια ριζών, μπλοκαρισμένο χώμα ή φυτά από τους κυλίνδρους βούρτσας, το προστατευτικό ή το κουτί οδοντοτροχού. Για σχολαστικό καθαρισμό απομακρύνετε τους κυλίνδρους βούρτσας και το προστατευτικό για να τα πλύνετε καλά. Για τα βήματα λεπτομερούς αντικατάστασης δείτε παραπάνω το απόσπασμα «ΑΝΤΙΚΑΤΑΣΤΑΣΗ ΤΩΝ ΚΥΛΙΝΔΡΩΝ ΒΟΥΡΤΣΑΣ».
- Διατηρείτε τα ανοίγματα αερισμού χωρίς εμπόδια.

ΑΠΟΘΗΚΕΥΣΗ ΤΗΣ ΜΟΝΑΔΑΣ

- Αφαιρέστε την μπαταρία από το εργαλείο.
- Καθαρίζετε το εργαλείο σχολαστικά και επιθεωρείτε τους κυλίνδρους βούρτσας.

- Απομακρύνετε το προσάρτημα βούρτσας καθαρισμού από την ηλεκτρική κεφαλή και καλύψτε τον άξονα προσαρτήματος με το τερματικό καπάκι προς αποφυγή εισχώρησης ρύπων μέσα στη ζεύξη.
- Αποθηκεύετε το εργαλείο σε έναν στεγνό, καλά αεριζόμενο χώρο, κλειδωμένο ή σε ψηλό σημείο, εκτός εμβέλειας παιδιών. Μην αποθηκεύετε τη μονάδα επάνω ή δίπλα σε λιπάσματα, βενζίνη ή άλλες χημικές ουσίες.

Προστασία του περιβάλλοντος



Μην απορρίπτετε ηλεκτρολογικό εξοπλισμό, το φορτιστή μπαταρίας και τις μπαταρίες / επαναφορτιζόμενες μπαταρίες στα οικιακά απορρίμματα! Σύμφωνα με τον Ευρωπαϊκό νόμο 2012/19/ΕΕ, ο ηλεκτρολογικός και ηλεκτρονικός εξοπλισμός που δε χρησιμοποιούνται πλέον, αλλά και σύμφωνα με τον Ευρωπαϊκό νόμο 2006/66/ΕΚ, όπως και οι ελαττωματικές ή χρησιμοποιημένες συστοιχίες συσσωρευτών / μπαταρίες πρέπει να συλλέγονται ξεχωριστά. Εάν οι ηλεκτρικές συσκευές απορριφθούν στην ύπαιθρο ή σε χωματερές, τότε είναι πιθανό να διαρρεύσουν επικίνδυνες ουσίες στα υπόγεια ύδατα, με αποτέλεσμα να περάσουν στην τροφική αλυσίδα, προκαλώντας ζημιές στην υγεία και την φυσική σας κατάσταση.

ΑΝΤΙΜΕΤΩΠΙΣΗ ΠΡΟΒΛΗΜΑΤΩΝ

ΠΡΟΒΛΗΜΑ	ΑΙΤΙΑ	ΑΝΤΙΜΕΤΩΠΙΣΗ
Η βούρτσα καθαρισμού δεν εκκινείται.	<ul style="list-style-type: none"> ■ Το πακέτο μπαταρίας δεν έχει προσαρτηθεί σωστά στην ηλεκτρική κεφαλή. ■ Δεν υπάρχει ηλεκτρική επαφή μεταξύ της ηλεκτρικής κεφαλής και του πακέτου μπαταρίας. ■ Το πακέτο μπαταρίας έχει αδειάσει. ■ Ο μοχλός ασφάλισης και η σκανδάλη της ηλεκτρικής κεφαλής δεν πατήθηκαν ταυτόχρονα. ■ Μετά από τα ανωτέρω βήματα δεν εκκινείται ακόμα το μηχάνημα. 	<ul style="list-style-type: none"> ■ Τοποθετήστε το πακέτο μπαταρίας στην ηλεκτρική κεφαλή. ■ Απομακρύνετε τη μπαταρία, ελέγξτε τις επαφές και επανεγκαταστήστε το πακέτο μπαταρίας, έως ότου κουμπώσει στη θέση του. ■ Φορτίστε το πακέτο μπαταρίας με τους φορτιστές EGO που παρατίθενται στο παρόν εγχειρίδιο. ■ Πατήστε το μοχλό απασφάλισης και διατηρήστε το πιεσμένο. Στη συνέχεια, πιέστε τη σκανδάλη για να ενεργοποιήσετε το εργαλείο. ■ Επικοινωνήστε με την εξυπηρέτηση πελατών της EGO.
Προφανώς η βούρτσα καθαρισμού έχει ζημιές.	<ul style="list-style-type: none"> ■ Αφύσικη ζημιά κατά τη διάρκεια της μεταφοράς ή της χρήσης. 	<ul style="list-style-type: none"> ■ Επικοινωνήστε με την εξυπηρέτηση πελατών της EGO.
Η βούρτσα καθαρισμού σταματάει κατά το βούρτσισμα.	<ul style="list-style-type: none"> ■ Ο κινητήρας έχει υπερφορτωθεί. ■ Το πακέτο μπαταρίας ή η ηλεκτρική κεφαλή είναι πολύ καυτή. ■ Το πακέτο μπαταρίας έχει αποσυνδεθεί από το εργαλείο. ■ Το πακέτο μπαταρίας έχει αδειάσει. ■ Μετά από τα ανωτέρω βήματα δεν εκκινείται ακόμα το μηχάνημα. 	<ul style="list-style-type: none"> ■ Ο κινητήρας θα συνεχίσει να λειτουργεί μόλις αφαιρεθεί το φορτίο. Για συνεχή εργασία, μειώστε το φορτίο στη βούρτσα καθαρισμού. ■ Επιτρέψτε το πακέτο μπαταρίας ή η ηλεκτρική κεφαλή να κρυώνουν, έως ότου η θερμοκρασία πέσει κάτω από τους 67°C. ■ Επανεγκαταστήστε το πακέτο μπαταρίας. ■ Φορτίστε το πακέτο μπαταρίας με τους φορτιστές EGO που παρατίθενται στο παρόν εγχειρίδιο. ■ Επικοινωνήστε με την εξυπηρέτηση πελατών της EGO.

GR

ΕΓΓΥΗΣΗ

ΠΟΛΙΤΙΚΗ ΕΓΓΥΗΣΗΣ EGO

Επισκεφθείτε την ιστοσελίδα egopowerplus.com για όλους τους όρους και τις προϋποθέσεις της πολιτικής εγγύησης EGO.

TÜM TALİMATLARI OKUYUN!



KULLANMA KILAVUZUNU OKUYUN

⚠ Artık risk! Kalp pili gibi elektronik cihaz kullanan kişiler bu ürünü kullanmadan önce hekimlerine danışmalıdır. Elektrikli cihazların, kalp pili yakınında çalıştırılması kalp pilinde parazite veya arızaya neden olabilir.

⚠ UYARI: Güvenliği ve güvenilirliği sağlamak için, tüm onarım ve değiştirme işlemleri yetkili bir servis teknisyeni tarafından gerçekleştirilmelidir.

GÜVENLİK SEMBOLÜ

Güvenlik sembollerinin amacı olası tehlikelere dikkatinizi çekmektir. Güvenlik sembolleri ve yanlarındaki açıklamalar özel dikkat ve anlayış göstermenizi gerektirir. Uyarı sembolleri kendi başlarına herhangi bir tehlikeyi göstermez. Sundukları talimat ve uyarılar uygun kaza önleme önlemlerinin yerine geçmez.

⚠ UYARI: Bu aleti kullanmadan önce, “TEHLİKE”, “UYARI” ve “DİKKAT” gibi tüm güvenlik uyarı ve sembollerini içeren bu Kullanım Kılavuzu içerisindeki tüm güvenlik talimatlarını okuyup anladığınızdan emin olun. Aşağıdaki talimatların tamamına uyulmaması elektrik çarpması, yangın ve/veya ciddi kişisel yaralanma ile sonuçlanabilir.

SEMBOLÜN ANLAMI

⚠ GÜVENLİK UYARI SEMBOLÜ: TEHLİKE, UYARI VEYA DİKKAT demektir, diğer semboller veya resimlerle birlikte kullanılabilir.



TR

⚠ UYARI: Elektrikli aletlerin kullanımı yabancı nesnelere gözlerinize fırlatılması sonucunu doğurabilir, bu da gözlerde ciddi hasara yol açabilir. Elektrikli aleti kullanmaya başlamadan önce, daima göz koruması veya yan siperleri olan koruyucu gözlük takın ve gerektiğinde tam yüz siperi kullanın. Gözlük üzerine kullanım için Wide Vision Koruyucu Maske ya da yan siperleri olan standart koruyucu gözlükleri tavsiye ederiz.

GÜVENLİK TALİMATLARI

Bu sayfada, bu ürün üzerinde görülebilecek güvenlik sembolleri gösterilmekte ve açıklanmaktadır. Makineyi monte etmeye ve kullanmaya başlamadan önce, makineye ilişkin tüm talimatları okuyup anlayın ve bu talimatlara uyun.

	Güvenlik Uyarısı	Potansiyel bir kişisel yaralanma tehlikesini gösterir.
	Kullanma Kılavuzunu Okuyun	Yaralanma riskini azaltmak için, kullanıcı bu ürünü kullanmadan önce kullanım kılavuzunu okuyup anlamalıdır.
	Koruyucu Gözlük Takın	Bu ürünü çalıştırırken daima göz koruması, yan siperleri olan koruyucu gözlük ya da tam yüz maskesi kullanın.
	Üçüncü Şahısları Uzak Tutun	Etraftaki Kişileri Güvenli Bir Mesafede Tutun
	Koruyucu Eldiven Takın	Bıçaklara dokunurken eldiven giyerek ellerinizi koruyun. Dayanıklı, kaymaz eldivenler daha iyi tutuş sağlarken ellerinizi de korur.
	Koruyucu Ayakkabı Giyin	Bu cihazı kullanırken kaymaz emniyet ayakkabıları giyin.
	Sekme	Fırlayan nesnelere sekebilir ve kişisel yaralanma veya mal hasarına yol açabilir.
	Yağmura Maruz Bırakmayın	Bu ürünü yağmur altında kullanmayın veya yağmur yağarken dışarıda bırakmayın.
	CE	Bu ürün, yürürlükteki AB yönetmeliklerine uygundur.
	WEEE	Atık elektrikli ürünler, evsel atıklar ile birlikte imha edilmemelidir. Yetkili bir geri dönüşüm merkezine teslim edilmelidir.
	Gürültü	Garanti edilen ses gücü seviyesi. Avrupa Birliği Yönetmeliği'ne göre çevre gürültü emisyonu.
V	Volt	Voltaj
mm	Milimetre	Uzunluk veya boyut
kg	Kilogram	Ağırlık

ELEKTRİKLİ ALETLER İÇİN GENEL GÜVENLİK UYARILARI

⚠ UYARI! Bu elektrikli alet ile birlikte verilen tüm güvenlik uyarılarını, talimatları, çizimleri ve teknik özellikleri okuyun. Aşağıdaki talimatların tamamına uyulmaması elektrik çarpması, yangın ve/veya ciddi yaralanma ile sonuçlanabilir.

Tüm uyarı ve talimatları gelecekte başvuru amacıyla muhafaza edin.

ÇALIŞMA ALANI GÜVENLİĞİ

- Çalışma alanını temiz tutun ve yeterli aydınlatma sağlayın. Karışık veya karanlık alanlar kazalara yol açar.
- Elektrikli aletleri yanıcı sıvı, gaz veya toz içeren patlayıcı ortamlarda çalıştırmayın. Elektrikli aletten çıkan kıvılcımlar toz veya gazları tutuşturabilir.
- Çalışırken çocukları ve üçüncü şahısları elektrikli aletten uzak tutun. Dikkatinizin dağılması kontrolü kaybetmenize neden olabilir.

ELEKTRİK GÜVENLİĞİ

- Elektrikli aletleri yağmur veya ıslak ortamlara maruz bırakmayın. Elektrikli alet içine giren su, elektrik çarpması riskini artırır.

KİŞİSEL GÜVENLİK

- Elektrikli aletleri kullanırken daima dikkatli olun, yaptığınız işe yoğunlaşın ve sağduyulu davranın. Yorgunken, uyuşturucu, alkol veya ilaçlı bir tedavi etkisi altındayken elektrikli aleti kullanmayın. Elektrikli aletleri kullanırken bir anlık dikkatsizlik ciddi kişisel yaralanmayla sonuçlanabilir.
- Her zaman kişisel koruyucu ekipman kullanın. Koşullara uygun göz koruması, toz maskesi, kaymaz emniyet ayakkabıları, kask ve/veya işitme koruması vb. kişisel koruyucu ekipman kullanılması kişisel yaralanmaları azaltır.
- Yanlışlıkla çalıştırmaktan kaçının. Aleti güç kaynağına ve/veya aküye takmadan, havaya kaldırmadan veya taşımadan önce açma kapama düğmesinin kapalı olduğundan emin olun. Aleti, parmağınız açma kapama düğmesi üzerinde dururken taşımak veya alet açıkken fişi prize takmak kazalara davetiye çıkartır.
- Elektrikli aleti çalıştırmadan önce, herhangi bir Aliyen veya anahtar varsa çıkarın. Elektrikli aletin döner parçalarına takılı kalmış bir Aliyen veya anahtar kişisel yaralanmalara neden olabilir.

- Dengesiz bir duruşla çalışma yapmayın. Çalışma süresince ayaklarınızı sağlam basın ve dengeyi koruyun. Böyle yapılması, beklenmedik durumlarda elektrikli aletin daha iyi kontrol edilmesini sağlar.
- Uygun bir şekilde giyinin. Bol giysiler giymeyin veya takı takmayın. Saçlarınızı, elbiselerinizi ve eldivenlerinizi hareketli parçalardan uzak tutun. Bol giysiler, takılar veya uzun saçlar aletin hareketli parçalarına takılabilir.
- Toz toplayıcı cihaz bağlantıları ve toplama tesisleri olması durumunda, bu bağlantıların düzgün yapılmış ve kullanılıyor olduğundan emin olun. Toz tutucu cihazların kullanımını tozdan kaynaklanabilecek tehlikeleri azaltabilir.
- Aletlerin sık kullanılmasından kaynaklanan aşınalığın sizin boş vermenize ve aletin güvenli prensiplerini görmezden gelmenize neden olmasına izin vermeyin. Dikkatsiz bir hareket, saniyenin binde birindeki bir sürede ağır yaralanmalara neden olabilir.

ELEKTRİKLİ ALET KULLANIMI VE BAKIMI

- Elektrikli aleti zorlamayın. Yaptığınız işe uygun elektrikli aleti kullanın. Doğru elektrikli alet, tasarımına uygun değerlerde kullanıldığında daha iyi ve daha güvenli çalışacaktır.
- Açma kapama düğmesi çalışmıyorsa elektrikli aleti kullanmayın. Açma kapama düğmesi ile kontrol edilemeyen bir elektrikli alet tehlikelidir ve onarılması gerekir.
- Sıkışan malzemeyi serbest bırakmadan, herhangi bir ayar yapmadan, aksesuarları değiştirmeden, elektrikli aletleri temizlemeden veya saklamadan önce, eğer sökülebilen türdensen elektrikli aletten aküyü çıkarın ve/veya herhangi bir akü devre dışı bırakma cihazını etkinleştirin. Bu tür önleyici güvenlik önlemleri, elektrikli aletin yanlışlıkla çalışma riskini azaltacaktır.
- Çalıştırılmayan elektrikli aletleri çocuklardan uzak tutun ve elektrikli aletin kullanımına veya bu talimatlara aşına olmayan kimselerin elektrikli aleti çalıştırmalarına izin vermeyin. Elektrikli aletler eğitimsiz kullanıcıların elinde tehlikelidir.
- Elektrikli aletlere ve aksesuarlara bakım yapın. Hareketli parçaların kusursuz olarak işlev görüp görmediğini veya sıkışıp sıkışmadığını, parçaların hasarlı olup olmadığını ve elektrikli aletin çalışmasını etkileyebilecek diğer tüm koşulları kontrol edin. Elektrikli alet hasarlı ise, kullanmadan önce onarılmasını sağlayın. Kazaların çoğu, elektrikli aletlerin ve aksesuarların bakımının yeterli şekilde yapılmamasından kaynaklanır.

TR

- **Kesici aletleri keskin ve temiz tutun.** Keskin kesim kenarlarına sahip, bakımı yapılmış kesim aletleri daha az sorun çıkarır ve kontrolü kolaydır.
- **Elektrikli aleti, aksesuarlarını ve alet uçlarını vb. çalışma şartlarını ve yapılacak işi dikkate alarak bu talimatlara uygun şekilde kullanın.** Elektrikli aletin kullanım amacı dışındaki işlerde kullanılması tehlikeli durumlara neden olabilir.
- **Tutma saplarını ve kavrama yüzeyini kuru, temiz, benzin ve yağdan uzak tutun.** Kaygan saplar ve kavrama yüzeyleri, aletin beklenmeyen durumlarda güvenli bir şekilde tutulmasına ve kontrol edilmesine izin vermez.

AKÜYLE ÇALIŞAN ALETLERİNİN KULLANIMI VE BAKIMI

- **Sadece üretici tarafından belirtilen şarj cihazı ile şarj edin.** Bir akü için uygun olan şarj cihazı, başka bir akü ile kullanıldığında yangın riski oluşturabilir.
- **Elektrikli aletleri sadece özel olarak üretilmiş akülerle kullanın.** Başka akünün kullanımı yaralanma ve yangın tehlikesi oluşturabilir.
- **Akünün kullanımda olmadığı durumlarda aküyü ateş, bozuk para, anahtar, çivi, vida veya akü kutupları arasında kısa devre yapabilecek diğer metal nesnelere uzak tutun.** Akü kutuplarının kısa devre edilmesi yangın veya yanıklara neden olabilir.
- **Kötü şartlar altında aküden sıvı akışı olabilir; sıvı ile temas etmekten kaçının. Yanlışlıkla temas edilirse, etkilenen bölgeyi su ile yıkayın. Sıvı göze temas ederse, ayrıca tıbbi yardım alın.** Aküden akan sıvı tahriş veya yanıklara neden olabilir.
- **Aküyü veya aleti hasarlı veya üzerinde değişiklik yapılmış şekilde kullanmayın.** Hasarlı veya üzerinde değişiklik yapılmış aküler yangın, patlama veya yaralanma riskine neden olacak şekilde beklenmeyen davranışlar gösterebilir.
- **Aküyü veya aleti ateşe veya aşırı sıcaklıklara maruz bırakmayın.** Ateşe veya 100°C'nin üzerindeki sıcaklıklara maruz kalması patlamaya neden olabilir.
- **Tüm şarj talimatlarına uyun ve akü veya aleti talimatlarda belirtilen sıcaklık aralığının dışındaki sıcaklıklarda şarj etmeyin.** Hatalı veya belirtilen sıcaklık aralığının dışındaki sıcaklıklarda şarj etmek, aküye zarar verebilir ve yangın riskini artırır.

DİĞER GÜVENLİK UYARILARI

Eğitim

- Talimatları dikkatle okuyun. Cihazın kumandalarını ve uygun kullanım şeklini öğrenin.

- Asla bu talimatlara aşına olmayan kişilerin veya çocukların makineyi kullanımına izin vermemeyin. Yerel yönetmelikler kullanıcının yaşını kısıtlayabilir.
- Yakınızdaki başkaları, özellikle de çocuklar veya evcil hayvanlar varken asla çalışmayın.
- Operatör veya kullanıcının, diğer kişilerin veya eşyaların başına gelebilecek yaralanma veya hasarlardan sorumlu olduğunu unutmayın.

Hazırlık

- Çalışırken her zaman dayanıklı ayakkabı ve uzun pantolon giyin. Ekipmanı çıplak ayakla veya açık sandaletler giyerek kullanmayın.
- Ekipmanın kullanılacağı alanı iyice inceleyin ve ürün tarafından fırlatılabilecek tüm nesnelere kaldırın.
- Kullanmadan önce, aletlerin yıpranmış veya hasar görmediğini daima gözle kontrol edin. Dengeyi korumak için, aşınmış veya hasar görmüş elemanlarla civatalarını set olarak değiştirin.

Çalıştırma

- Motoru tehlikeli karbonmonoksit dumanlarının birikebileceği dar alanlarda çalıştırmayın.
- Sadece gün ışığında veya iyi aydınlatılmış yerlerde çalışın.
- Eğimli alanlarda bastığınız yerlerin sağlam olduğundan emin olun.
- Makineyle yürüyün, asla koşmayın.
- Tekerlekli dönerek çalışan makineler ile çalışırken; eğimli yüzeyin enine doğru çalışın, asla yukarı aşağı yönde çalışmayın.
- Eğimli yerlerde yön değiştirirken son derece dikkatli olun.
- Çok dik eğimli yerlerde çalışmayın.
- Geriye giderken veya makineyi kendinize doğru çekerken çok dikkatli olun.
- Motor kontrol ayarlarını değiştirmeyin veya motoru aşırı hızlı çalıştırmayın.
- Motoru, üreticinin talimatlarına göre ve ayaklar atletten uzakta olacak şekilde dikkatlice çalıştırın.
- Ellerinizi veya ayaklarınızı hareketli parçaların yakınına veya altına yerleştirmeyin.
- Asla makineyi motor çalışırken kaldırmayın veya taşımayın.

EĞİMLİ ARAZİDE KULLANIM:

Eğimli araziler ciddi yaralanmalara yol açabilen kayma ve düşme kazaları ile ilgili önemli bir faktördür. Eğimli alanlarda bastığınız yerlerin sağlam olduğundan emin olun. Eğimli arazilerde çalışma son derece dikkatli olmayı gerektirir. Eğimli bir arazide kendinizi rahatsız hissediyorsanız, kullanmayın.

- Kaymanıza veya takılıp düşmenize neden olabilecek çukurlara, tekerlek izlerine, kaya parçalarına, gizli cisimlere veya tümseklere dikkat edin. Uzun çimler engelleri gizleyebilir.

SERVİS

- Elektrikli aletinizin bakımını, sadece orijinal yedek parça kullanan uzman bir tamirciye yaptırın. Bu, elektrikli aletin emniyetinin korunmasını sağlayacaktır.
- Asla hasarlı akülere bakım-onarım yapmayın. Akülerin bakımı sadece üretici veya yetkili servisler tarafından yapılmalıdır.

⚠ UYARI: Bu elektrikli alet ile birlikte verilen tüm güvenlik uyarılarını, talimatları, çizimleri ve teknik özellikleri okuyun. Aşağıdaki talimatların tamamına uyulmaması elektrik çarpması, yangın ve/veya ciddi yaralanma ile sonuçlanabilir. Tüm uyarı ve talimatları gelecekte başvuru amacıyla muhafaza edin.

- Sadece şek. A'da listelenen pil paketi ve şarj cihazlarını kullanın.

BU TALİMATLARI SAKLAYIN

TEKNİK ÖZELLİKLER

Fırça Tambur Çapı	250mm	
Temizlik Tırpanı	560mm	
Tavsiye Edilen Çalışma Sıcaklığı	-15°C-40°C	
Tavsiye Edilen Depolama Sıcaklığı	-20°C-70°C	
Ağırlık (koruma dahil)	5,05 kg	
Ölçülen ses güç düzeyi L_{WA}	91,4 dB(A) K=2,02 dB(A)	
Operatörün duyduğu ses güç düzeyi L_{PA}	82,8 dB(A) K=2,5 dB(A)	
Garantili ses gücü seviyesi L_{WA} (2000/14/EC'ye göre ölçülen)	93 dB(A)	
Titreşim değeri a_n	Ön destek sapı	0,46 m/sn ² K = 1,5 m/sn ²
	Arka kol	1,43 m/sn ² K = 1,5 m/sn ²

- Yukarıdaki parametreler, PH1400E elektrikli alet başlığı takılı olarak test edilmiş ve ölçülmüştür.
- Bildirilen toplam titreşim değeri standart test yöntemine uygun olarak ölçülmüştür ve bir cihazı diğer bir cihaz ile karşılaştırmak için kullanılabilir.
- Bildirilen toplam titreşim değeri ayrıca ön maruz kalma değerlendirmesinde de kullanılabilir.

DİKKAT: Elektrikli aletin gerçek kullanımı sırasında meydana gelen titreşim emisyonu aletin kullanım şekline bağlı olarak bildirilen değerden farklı olabilir; Operatörü korumak için, kullanıcı gerçek kullanım koşullarında eldiven ve kulak koruması takmalıdır.

PAKET LİSTESİ

PARÇA ADI	MİKTAR
Sert Fırça Aksesuarı	1
Fırça Silindiri	2
Tahrik Aksı	2
Koruma (cıvata ile)	1
Alyen Anahtarı	1
Bağlantı pimi	2
Kilit pimi	2
Kullanma Kılavuzu	1

AÇIKLAMA

SERT FIRÇA AKSESUARINIZI TANIYIN (Şek. A)

1. Uç Kapak
2. Sert Fırça Aksesuar Şaftı
3. Koryucu
4. Fırça Silindiri
5. Dişli Kutusu
6. Bağlantı Pimi
7. Alyen Anahtarı

MONTAJ

⚠ UYARI: Hasarlı veya eksik parça varsa, bu parçalar değiştirilinceye kadar ürünü çalıştırmayın. Bu ürünün hasarlı veya eksik parçalar ile kullanılması ciddi kişisel yaralanmalara yol açabilir.

⚠ UYARI: Bu ürün üzerinde değişiklik yapmaya veya bu üfleyci ile kullanılması önerilmeyen aksesuarlar oluşturmaya çalışmayın. Bu tür değişiklikler veya modifikasyonlar hatalı kullanımdır ve ciddi kişisel yaralanmalara neden olabilen tehlikeli bir duruma sebep olabilir.

⚠ UYARI: Ciddi kişisel yaralanmalara neden olabilen yanlışlıkla çalışmayı önlemek için, parçaları monte ederken akü bağlantı parçasını mutlaka soketten çıkarın.

TR

⚠ UYARI: Montaj tamamlanıncaya kadar sert fırçayı elektrikli alet başlığına bağlamayın. Böyle yapılması durumunda, ürün yanlışlıkla çalışıp ciddi kişisel yaralanmalara neden olabilir.

KORUMANIN TAKILMASI

⚠ UYARI: Sert fırça aksesuarı elektrikli alet başlığına takılmadan önce korumayı takın.

1. Cıvatayı korumadan verilen Alyen anahtarıyla gevşetin ve çıkarın (Şek. B).
2. Sert fırça bağlantı milini çıkarın ve uç kapağını milden çıkarın.
3. Milin ucundaki çıkıntı ile korumanın içindeki yuvayı hizalayın, korumayı korumadaki vida delikleri ile mildeki vida delikleri hizalanan kadar milden geçirin (Şek. C ve D).

Şek. C ve D parça açıklaması aşağıdaki gibidir:

C-1	Yuva
C-2	Diş
D-1	Cıvata

4. Korumayı güvenli bir şekilde kilitlemek için cıvatayı saat yönünde sıkarak için verilen Alyen anahtarını kullanın.

FIRÇA SİLİNDİRLERİNİN MONTAJI

1. Tahrik aksını tahrik miline itin (Şek. E).

Şek. E parça açıklaması aşağıdaki gibidir:

E-1	Tahrik Mili
E-2	Tahrik Aksı

2. Tahrik aksını tahrik miline sabitlemek için kilitleme pimini kilitleme deliğine takın.

DİKKAT: Kilit piminin yerine takılması gerekir (Şek. F).

Şek. F parça açıklaması aşağıdaki gibidir:

F-1	Kilit Pimi
F-2	Kilitleme Deliği

3. Diğer tahrik aksını monte etmek için aynı adımları takip edin.
4. Fırça silindirini tahrik aksına doğru itin (Şek. G).

Şek. G parça açıklaması aşağıdaki gibidir:

G-1	Fırça Silindiri
G-2	Tahrik Aksı

5. Fırça silindirini tahrik aksına sabitlemek için bağlantı pimini uçtaki deliğe takın (Şek. H).

Şek. H parçalarının açıklaması aşağıdaki gibidir:

H-1	Bağlantı Pimi
-----	---------------

6. Diğer fırça silindirini monte etmek için aynı adımları takip edin.

SERT FIRÇA AKSESUARININ ELEKTRİKLİ ALET BAŞLIĞINA BAĞLANMASI

⚠ UYARI: Elektrikli alet başlığı çalışırken veya akü takılı halde iken asla bir aksesuar takmayın veya ayarlamayın. Motorun durdurulmaması ve akünün çıkarılmaması ciddi yaralanmalara neden olabilir.

Bu sert fırça aksesuarı EGO Elektrikli Alet Başlığı PH1400E ile kullanılmak üzere tasarlanmıştır

1. Motoru durdurun ve aküyü çıkarın
2. Elektrikli alet başlığının kuplöründeki kelebek somununu gevşetin.
3. Uç kapağı bağlantı milindeyse çıkarın ve daha sonra kullanmak için güvenli bir yere saklayın.

Sert fırçanın milindeki ok ile kuplördeki oku hizalayın (Şek. I) ve sert fırçanın milini kuplöre doğru, bir "TIK" sesi duyulana kadar itin (Şek. J).

Şek. I parça açıklaması aşağıdaki gibidir:

I-1	Mil Çıkarma Düğmesi
I-2	Kuplördeki Ok
I-3	Kelebek Somunu
I-4	Ek Şaftındaki Ok
I-5	Kırmızı Çizgi

Şek. J parça açıklaması aşağıdaki gibidir:

J-1	Kırmızı Çizgi
-----	---------------

4. Emniyetli bir şekilde kuplöre kilitletiğinden emin olmak için sert fırça ekinin milini aksesuardan çekin. Değilse, net bir "TIK" sesi duyana kadar, sert fırça milini kuplörde ileri ve geri hareket ettirin.
5. Kelebek somunu iyice sıkın.

⚠ UYARI: Cihazı tamamen çalıştırmadan önce kuplördeki kelebek somununun tamamen sıkılmış olduğundan emin olun; ciddi yaralanmalara yol açmamak için kullanın sırasında sıklığını düzenli olarak kontrol edin.

ELEKTRİKLİ ALET KAFASINDAN BİR KSESUAR ÇIKARMA

1. Motoru durdurun ve pil paketini çıkarın.
2. Kelebek somununu gevşetin.
3. Mil serbest bırakma düğmesi basılıyken, sert fırça eki milini elektrikli alet başlığından çıkarmak için kuplörden dışarı çekin veya bükün.

ÇALIŞMA

⚠ UYARI: Ürüne aşına olmanız sizi dikkatsiz yapmasın. Bir anlık dikkatsizliğin ciddi yaralanmalara sebep olabileceğini unutmayın.

⚠ UYARI: Daima göz koruması ve kulak koruması kullanın. Böyle yapılmaması sonucu gözlerinize fırlayan nesnelere ciddi kişisel yaralanmalara neden olabilir.

⚠ UYARI: Bu ürünün üreticisi tarafından tavsiye edilmeyen herhangi bir ataşmanı veya aksesuarı kullanmayın. Tavsiye edilmeyen aksesuarların veya ataşmanların kullanımı ciddi kişisel yaralanmalara sebep olabilir.

UYGULAMALAR

Bu ürünü aşağıdaki işlemler için kullanabilirsiniz:

- Düz olmayan ve mafsallı yüzeylerin, yolların ve alanların temizlenmesi.
- Kaldırım/beton/asfalt garaj yollarının, yürüyüş yerlerinin ve bahçelerin temizlenmesi.

⚠ UYARI: Bu cihazı kullanırken yaralanma riskini azaltmak için uygun şekilde giyinin. Bol giysiler giymeyin veya takı takmayın. Korumacı gözlük takın. Dayanıklı, uzun pantolon, eldiven ve bot giyin. Kısa pantolon, sandalet giymeyin veya çıplak ayakla çalışmayın.

Eğer temizlenecek yüzey kuru ise oluşacak toz miktarını azaltmak için su püskürtün.

Sert fırça ile ileri doğru çalışmalısınız. Sert fırçayı bir elinizle arka tutma sapından ve diğer elinizle ön destek sapından tutarak kullanın. Sert fırçayı kullanırken iki elinizle sağlam bir şekilde tutun.

Sert fırçayı dar bir açıyla tutun ve yönlendirin. Sert fırça çok dik bir açıyla tutulursa operatöre doğru geri tepebilir.

Tutuşunuzu ve her iki ayak üzerinde dengenizi koruyun (Şek. K).

Fırlayan malzemeler operatörü veya üçüncü şahısları ciddi şekilde yaralayabilir. Kişisel yaralanma riskini azaltmak için, aşağıdaki önlemleri almanız önemlidir:

- Çalışırken sert fırçayı her zaman iki elinizle tutun. Her iki kolu da sağlam bir şekilde kavrayın.
- Sert fırçayı çalışmaya başlamadan önce çalışma alanına taşıyın ve sert fırçayı daha düşük bir hızda çalıştırın.
- Kontrol kaybindan dolayı yaralanma riskini azaltmak için sert fırçayı dar bir açıda tutun ve yönlendirin. Sert fırça çok dik bir açıyla tutulursa operatöre doğru geri tepebilir.

Her kullanımdan önce hasarlı/aşınmış parça olup olmadığını kontrol edin.

Fırça silindirini, koruma, ön tutma kolunu ve tahrik aksını kontrol edin ve çatlak, kıvrılmış, eğik veya hasarlı parçaları değiştirin.

Sert fırçayı her kullanımdan sonra temizleyin

Temizleme talimatları için Bakım bölümüne bakın.

CİHAZI ÇALIŞTIRMA/DURDURMA

Elektrikli alet başlığı PH1400E'nin kullanım kılavuzundaki "ELEKTRİKLİ ALET BAŞLIĞINI ÇALIŞTIRMA/DURDURMA" bölümüne bakın

BAKIM

⚠ UYARI: Bakım yaparken sadece aynı olan yedek parçaları kullanın. Diğer parçaların kullanılması tehlike oluşturabilir veya ürünün hasar görmesine neden olabilir. Emniyet ve güvenilirliği sağlamak için tüm tamir işleri uzman bir servis teknisyeni tarafından yapılmalıdır.

⚠ UYARI: Aküyle çalışan aletlerin elektrik prizine takılmalarına gerek yoktur; bu nedenle daima çalışır durumdadırlar. Ciddi kişisel yaralanmayı önlemek için, kesim parçaları veya diğer parçalara bakım veya onarım yaparken veya değişim sırasında ekstra önlemler alın ve dikkatli olun.

⚠ UYARI: Ciddi kişisel yaralanmaları önlemek için, aküyü elektrik alet başlığından çıkarın ve bakım işlemlerini yapmadan, temizlemeden, parça eklerini değiştirmeden önce veya ürün kullanılmadığında fırça silindirinin durmasını bekleyin.

GENEL BAKIM

⚠ UYARI: Fren sıvıları, benzin, petrol bazlı ürünler, içe işleyen yağlar, vb.nin plastik parçalara temas etmesine kesinlikle izin vermeyin. Kimyasal maddeler plastik parçalara hasar verebilir, bu tür parçaları zayıflatabilir veya parçalayabilir ve bu durum ciddi yaralanmalara neden olabilir.

⚠ UYARI: Sert fırça ekini temizlerken, su veya diğer sıvıların içine DALDIRMAYIN. Makinenizi basınçlı yıkayıcı ile temizlemeyin. Sert su jeti, makinenin parçalarına zarar verebilir.

FIRÇA SİLİNDİRİ BAKIMI

- Fırça silindirini sık sık temizleyin.

- Fırça silindirlerinden herhangi birinin hasar sebebiyle değiştirilmesi gerekirse en iyi performans için her iki fırça silindirini de değiştirin.

Bu bakım talimatlarında listelenen maddelerin haricindeki tüm sert fırça bakımı, yetkili servis personeli tarafından yapılmalıdır.

FIRÇA SİLİNDİRLERİNİ DEĞİŞTİRME

⚠ UYARI: Hasarlı fırça silindiri uzun süre kullanımdan sonra parçalara ayrılabilir, bu da tehlikeli şekilde etrafa fırlamalarına sebep olabilir. Fırlatılan nesnelere ciddi yaralanmalara yol açabilir. Sert bıçağı düzenli olarak kontrol edin ve sert fırçayı aşınmış veya hasarlı bir bıçakla çalıştırmayın.

Çıkarmak için (Şek. L)

1. Bağlantı pimini tahrik aksının ucundan çıkarın.
2. Fırça silindirini kapak plakası ile birlikte tahrik aksından çekerek çıkarın.
3. Tahrik aksı hasarlı ise kilitleme pimini tahrik aksındaki delikten çıkarın ve tahrik aksını tahrik milinden çekerek çıkarın (Şek. M).
4. Kapak plakası hasarlı ise fırça silindirinden çekerek çıkarın ve değiştirin.
5. Diğer fırça silindirini çıkarmak için aynı adımları takip edin.

Şek. L parça açıklaması aşağıdaki gibidir:

L-1	Tahrik Mili	L-4	Bağlantı Pimi
L-2	Kilit Pimi	L-5	Kapak Plakası
L-3	Fırça Silindiri	L-6	Tahrik Aksı

Montaj

1. Tahrik aksını tahrik miline monte edin ve kilit pimini tahrik aksındaki deliğe takın (bkz. Şek. F).
2. Kapak plakasını kapak plakasındaki dış fırça silindirindeki delik ile hizalanacak şekilde fırça silindirine takın (Şek. N).

Şek. N parça açıklaması aşağıdaki gibidir:

N-1	Delik
N-2	Diş

3. Fırça silindirini tahrik aksına doğru itin (bkz. Şek. G).
4. Bağlantı pimini tahrik aksının ucundaki deliğe takın ve düz olacak şekilde katlayın.
5. Diğer fırça silindirini monte etmek için aynı adımları takip edin.

⚠ UYARI: Her zaman her iki fırça silindirini de aynı anda değiştirin.

CİHAZIN TEMİZLENMESİ

- Aküyü çıkarın.
- Kök, tıkanmış toprak veya bitki parçalarını fırça silindirlerinden, koruyucu veya dış kutusundan temizleyin. Derinlemesine temizlik için, fırça silindirlerini iyice yıkayarak temizleyin. Detaylı değiştirme adımları için lütfen yukarıdaki "FIRÇA SİLİNDİRLERİNİ DEĞİŞTİRME" bölümüne bakınız.
- Hava deliklerini tıkanmalara karşı temiz tutun.

CİHAZIN SAKLANMASI

- Aküyü aletten çıkarın.
- Aleti iyice temizleyin ve fırça silindirlerini denetleyin.
- Sert fırça ekini elektrikli alet başlığından sökün ve kavramanın kirlenmesini önlemek için bağlantı milini uç kapak ile kapatın.
- Aleti çocukların ulaşamayacağı kuru, iyi havalandırılmış, kilitli veya yüksek bir yerde muhafaza edin. Cihazı gübre, benzin veya diğer kimyasal maddelerin yakınında saklamayın.

Çevre koruması



Elektrikli cihazları, akü şarj cihazını ve aküleri/şarj edilebilir aküleri evsel atıklarla birlikte atmayın! AB Yasası 2012/19/EU uyarınca, kullanılamaz durumdaki elektrikli ve elektronik cihazlar ve AB Yasası 2006/66/EC uyarınca, anızalı veya kullanılmış aküler/piller ayrı olarak toplanmalıdır. Elektrikli cihazlar katı atık sahaları veya çöp toplama alanlarına atılırsa, yer altı sularına ve besin zincirine tehlikeli maddeler sızabilir, bu da sağlığınızın bozulmasına yol açabilir.

SORUN GİDERME

SORUN	SEBEP	ÇÖZÜM
Sert fırça çalıştırmıyor.	<ul style="list-style-type: none"> ■ Akü elektrikli alet başlığına düzgün şekilde takılı değil. ■ Elektrikli alet başlığı ve pil takımı arasında elektrik bağlantısı yok. ■ Akü boşalmış. ■ Elektrik alet başlığının kilitleme kolu ve tetiğe aynı anda basılmıyor. ■ Yukarıdaki sebeplerin dışında bir sebepten halen çalışmıyor. 	<ul style="list-style-type: none"> ■ Pil takımını elektrikli alet başlığına takın. ■ Pil takımını çıkarın, temas noktalarını kontrol edin ve yerine oturana kadar pil takımını yeniden takın. ■ Aküyü bu kılavuzda belirtilen EGO şarj cihazları ile şarj edin. ■ Kilitleme koluna basın ve basılı tutun, ardından üniteyi çalıştırmak için tekrar tetiğe basın. ■ EGO Müşteri Hizmetleri ile irtibata geçin.
Sert fırça açıkça hasar görmüş.	<ul style="list-style-type: none"> ■ Taşıma veya kullanım esnasında anormal hasar. 	<ul style="list-style-type: none"> ■ EGO Müşteri Hizmetleri ile irtibata geçin.
Sert fırça fırçalarken duruyor.	<ul style="list-style-type: none"> ■ Motora aşırı yüklenilmiş. ■ Pil takımı veya elektrikli alet başlığı çok sıcak. ■ Akü ile aletin bağlantısı kesilmiş. ■ Akü boşalmış. ■ Yukarıdaki sebeplerin dışında bir sebepten halen çalışmıyor. 	<ul style="list-style-type: none"> ■ Yük kaldırıldığında motor normale dönecektir. Sürekli çalışma için sert fırçanın yükünü azaltın. ■ Pil takımı veya elektrikli alet başlığı sıcaklığının 67°C'nin altına düşmesini ve soğumasını bekleyin. ■ Aküyü yeniden takın. ■ Aküyü bu kılavuzda belirtilen EGO şarj cihazları ile şarj edin. ■ EGO Müşteri Hizmetleri ile irtibata geçin.

GARANTİ

EGO GARANTİ POLİTİKASI

EGO Garanti politikasına ilişkin tüm hüküm ve koşullar için, lütfen egopowerplus.com adresindeki web sitemizi ziyaret edin.

TR

LUGEGE KÕIKI JUHISEID!



Lugege kasutusjuhendit

⚠️ Kaasnev risk! Inimesed, kes kasutavad elektroonilisi seadmeid, nt südamestimulaatorit, peaksid enne selle toote kasutamist konsulteerima oma arstiga. Elektriseadmete kasutamine südamestimulaatori läheduses võib põhjustada südamestimulaatori häireid või rikkeid.

⚠️ HOIATUS! Ohutuse ja töökindluse tagamiseks tohivad seda seadet remontida ainult vastava kvalifikatsiooniga hooldustehnikud.

OHUTUSSÜMBOL

Ohutussümbolite eesmärk on pöörata tähelepanu võimalikele ohtudele. Ohutussümbolitele ja nende juures olevatele seletustele tuleb korralikult tähelepanu pöörata ja need endale selgeks teha. Ohutussümbolid iseenesest ei kõrvalda ohu olemasolu. Nendega kaasnevad juhendid ja hoiatused ei asenda asjakohaseid õnnetuste ennetamise meetmeid.

⚠️ HOIATUS! Enne käesoleva seadme kasutamist lugege kindlasti läbi ja tehke endale selgeks kõik Kasutusjuhendis toodud ohutusjuhised, sh kõik ohutussümbolid nagu „**OHJ**“, „**HOIATUS**“, ja „**ETTEVAATUST**“. Kui kõiki allpool loetletud juhiseid ei järgita, võib tagajärjeks olla elektrilöök, tulekahju ja/või tõsised isikuvigastused.

SÜMBOLITE TÄHENDUSED

⚠️ TURVATEATE SÜMBOL Sümboloid **OHJ**, **HOIATUS**, VÕI **ETTEVAATUST** võidakse kasutada koos teiste sümbolite või piktograafidega.



⚠️ HOIATUS! Mis tahes elektriliste tööriistade kasutamine võib põhjustada võõrkehade paiskumist silma, mis võib põhjustada raskeid silmakahjustusi. Kandke elektriliste tööriistade kasutamise ajal alati kaitseprille või külgakaitsetega kaitseprille ja vajadusel täielikku näokaitset. Soovitame kanda prillide peal laia vaatealaga kaitsemaski või tavalisi külgakaitsetega kaitseprille.

OHUTUSJUHISED

Sel lehel on kujutatud ja kirjeldatud ohutussümbolite, mida võib käesolevalt tootelt leida. Enne seadme kokkupanemist ja kasutamist lugege, tehke omale selgeks ja järgige kõiki juhiseid.

	Ohutus-teade	Tähistab võimalikku kehavigastuste ohtu.
	Lugege kasutus-juhendit	Et vähendada vigastuste ohtu, peab kasutaja enne toote kasutamist lugema kasutusjuhendit ja selle endale selgeks tegema.
	Kandke kaitseprille	Kandke selle toote kasutamise ajal alati kaitseprille või külgakaitsetega kaitseprille ja täielikku näokaitset.
	Ärge laske kellelgi töö ajal enda lähedal seista	Hoidke kõrvalised isikud ohutus kauguses
	Kandke kaitsekindaid	Terasid käsitledes kandke käte kaitsmiseks kindaid. Tugevad ja mittelibisevast materjalist kindad tugevdavad haaret ja kaitsevad käsi.
	Kandke turva-jalanõusid	Tööriista kasutamisel kandke mittelibisevaid turvajalanõusid.
	Rikošett	Võõrkehad võivad rikošetiga eemale paiskuda ja selle tagajärjeks võivad olla isikuvigastused või vara kahjustumine.
	Mitte jätta vihma kätte	Mitte kasutada vihma käes või jätta välistingimustesse vihmajärgi ajal.
	CE	Toode vastab rakendatavatele EÜ direktiividele.
	WEEE	Elektriseadmete jäätmeid ei tohi visata olmejäätmete hulka. Viige volitatud taaskäitleja juurde.
	Müra	Garanteeritud helivõimsuse tase. Seadme müra keskkonnas on Euroopa Ühenduse direktiiviga vastavuses.
V	Volti	Pinge
mm	Millimeeter	Pikkus või suurus
kg	Kilogramm	Kaal

ET

ÜLDISED ELEKTRITÖÖRIISTADE HOIATUSED

⚠ Hoiatus! Lugege läbi kõik elektritööriistaga kaasas olevad hoiatused, juhised, joonised ja andmed. Alltoodud juhiste eiramine võib põhjustada elektrilööki, tulekahju ja/või tõsisid vigastusi.

Säilitage hoiatused ja juhised hilisemaks kasutuseks.

TÖÖPIIRKOHHA OHUTUS

- Tööpiirkond peab olema puhas ja hästi valgustatud. Segadus või valgustamata tööpiirkonnad võivad põhjustada õnnetusi.
- Ärge kasutage elektritööriistu plahvatusohtlikes keskkondades, näiteks kergesti süttivate vedelike, gaaside või tolmu läheduses. Elektritööriistad tekitavad sädemeid, mis võivad süüdata tolmu või aurasid.
- Elektritööriistadega töötamisel hoidke lapsed ja kõrvalseisjad eemal. Tähelepanu hajumine võib põhjustada seadme üle kontrolli kaotamise.

ELEKTRILINE OHUTUS

- Ärge jätke elektrilisi tööriistu vihma kätte ega niiskettesse tingimustesse. Vee sattumine elektrilise tööriista sisse suurendab elektrilöögi ohtu.

ISIKLIK OHUTUS

- Olge tähelepanelik, töötage hoolikalt ja rakendage tervet mõistust. Ärge kasutage elektritööriista, kui olete väsinud, või ravimite, alkoholi või narkootikumide mõju all. Vaid hetkeline tähelepanematus elektritööriista kasutamisel võib põhjustada raskeid kehavigastusi.
- Kasutage alati isikukaitsevahendeid. Töötingimustele vastavate isikukaitsevahendite (nt silmakaitsevahendite, tolmu maski, mittelibsevate turvajalanõude, kiivri ja/või kuulmiskaitsevahendite) kasutamine vähendab kehavigastuste ohtu.
- Ennetage tööriista tahtmatut käivitamist. Enne tööriista vooluvõrgu ja/või akuplokiga ühendamist ning enne tööriista kandmist või üles tõstmist veenduge, et lüliti on mitteaktiivses asendis. Elektritööriistade kandmine sõrme lülilit hoides või aktiivses olekus lülitiga põhjustab õnnetusi.
- Enne tööriista sisselülitamist eemaldage sellel reguleerimis- ja mutrivõtmed. Elektritööriista pöörleva osa külge unustatud võtmed vms tööriistad võivad põhjustada kehavigastusi.
- Ärge küünitage liiga kaugele. Töötage ainult kindlal maapinnal ja kohtades, kus pole ohtu tasakaalu kaotada. Nii säilitate ootamatutes olukordades elektritööriista üle parema kontrolli.

- Riietuge asjakohaselt. Ärge kandke avaraid rõivaid ega ehteid. Vältige juuste, riiete ja kinnaste kokkupuudet liikuvate osadega. Liiga avarad riided, ehted ja pikad juuksed võivad liikuvate osade vahele kinni jääda.
- Kui tootega on kaasas vahendid tolmu kogumise- ja väljavõtuseadmete ühendamiseks, veenduge, et need seadmed on korralikult ühendatud ja korrektses kasutuses. Tolmu kogumisseadmete kasutamine vähendab tolmu ga seotud ohtusid.
- Kui seade on teile sagedase kasutamise tulemusel harjumuspäraseks saanud, ärge laske ennast lödvaks ega ignoreerige tööriista kasutamise ohutusreegleid. Hooletuse tõttu võite saada tõsisid vigastusi ka sekundi murdosa jooksul.

ELEKTRITÖÖRIISTA KASUTAMINE JA HOOLDUS

- Ärge rakendage elektritööriista kasutamisel jõudu. Kasutage konkreetseks tööks sobivat elektritööriista. Sobiva elektritööriista sobival kiirusel töötades saate töö valmis kiiresti ja ohutult.
- Ärge kasutage tööriista, mida ei saa lülitist sisse ja välja lülitada. Elektrilised tööriistad, mille lüliti ei tööta, on ohtlikud ja tuleb parandada.
- Eemaldage akuplokk seadme küljest (kui see on eemaldatav) ja/või aktiveerige aku blokeerimisvahendid enne, kui alustate ummistuse eemaldamist, seadme reguleerimist, tarvikute vahetamist, seadme puhastamist või elektritööriista hoiustamist. Need ennetavad ohutusmeetmed vähendavad elektritööriista juhusliku käivitamise ohtu.
- Tööriistu, mida te hetkel ei kasuta, hoidke lastele kättesaamatus kohas ning ärge lubage nendega töötada isikutel, kes pole tööriistade tööpõhimõtetele või käesoleva juhendiga tutvunud. Koolitamata isikute käes on elektrilised tööriistad ohtlikud.
- Hooldage nii elektritööriistu kui tarvikuid. Kontrollige, et liikuvad komponendid on korrektselt joondatud ja ükski osa ei ole katki ning jälgige ka muid aspekte, mis võiksid elektritööriista omadusi mõjutada. Kahjustatud elektritööriist tuleb enne kasutamist parandada. Halvasti hooldatud tööriistad ja tarvikud on paljude õnnetuste põhjuseks.
- Hoidke oma tööriistad teravad ja puhtad. Korralikult hooldatud ja teravate servadega löikevahendid ei kiilu nii kergesti kinni ja on lihtsamini kontrollitavad.
- Kasutage elektritööriista, selle tarvikuid, tööriistaosi jm vastavalt käesolevale juhendile, võttes arvesse töötingimusi ja teostatavat tööd. Tööriista mitte-eesmärgipärane kasutamine võib põhjustada ohtlikke olukordi.

ET

- **Hoidke haardepind ja käepidemed kuivad, puhtad ning vältige õli ja rasva sattumise seadmele.** Libedad käepidemed ja haardepinnad takistavad seadme ohutut kasutamist ja käsitsemist ootamatutes olukordades.

AKUSEADMETE KASUTAMINE JA HOOLDUS

- **Kasutage laadimiseks ainult tootja poolt ette nähtud laadijaid.** Akulaadija, mis sobib teatud tüüpi akuplokkidele, võib põhjustada tulekahju ohtu, kui seda kasutada mõne teise akuplokkiga.
- **Kasutage elektrilisi tööriistu ainult nende jaoks ette nähtud akuplokkidega.** Mõne muu akuploki kasutamine võib põhjustada vigastuste ja tulekahju ohtu.
- **Kui akut ei kasutata, hoidke seda eemal muudest metallesemetest nagu kirjaklambrid, mündid, võtmed, naelad, kruvid ja muud väikesed metallesemed, mis võivad klemmide vahel ühenduse luua.** Aku klemmide lühihüendus võib põhjustada põletushaavu ja tulekahju ohtu.
- **Valedes tingimustes kasutamisel võib akut vedelikku välja tulla; vältige kokkupuudet sellega. Kokkupuute tekkimisel loputage veega. Kui vedelik satub silma, pöörduge lisaks ka arsti poole.** Akust väljuv vedelik võib põhjustada ärritust või põletusi.
- **Ärge kasutage kahjustunud või modifitseeritud akuplokki või tööriista.** Kahjustunud või modifitseeritud akud võivad toimida ettearvamatult, mille tagajärjeks võib olla tulekahju, plahvatus või vigastuste oht.
- **Vältige akuploki või tööriista kokkupuudet tule või liiga kõrge temperatuuriga.** Kokkupuude lahtise tule või temperatuuriga üle 100 °C võib põhjustada plahvatus.
- **Järgige kõiki laadimisjuhiseid ja ärge laadige akuplokki või tööriista vale temperatuuri juures (vt juhiseid).** Valesti või valel temperatuuril laadimine võib kahjustada akut ja suurendada tulekahju ohtu.

ET

MUUD OHUTUSHOIATUSED

Koolitus

- Lugege juhend hoolikalt läbi. Tutvuge juhtseadmetega ja seadme korrektse kasutamise põhimõtetega.
- Ärge lubage seadet kasutada lastel ega inimestel, kes pole tutvunud käesoleva juhendiga. Kohalikud seadused võivad seada seadme kasutajatele vanusepiiranguid.
- Ärge kasutage seadet teiste inimeste (eriti laste) või loomade läheduses.

- Pidage meeles, et seadme kasutaja vastutab teiste inimeste või nende varaga juhtuvate õnnetuste eest.

Ettevalmistus

- Töötamise ajal kandke alati tugevaid jalatseid ja pikki pükse. Ärge kasutage seadet paljajalu või lahtiste jalanõudega.
- Kontrollige hoolikalt tööala ja eemaldage sealt kõik esemed, mida seade õhku võib paisata.
- Enne tööriistade kasutamist vaadake need alati üle, et näha, ega need pole kulunud või kahjustunud. Ühtlase töötlemuse huvides vahetage kulunud või kahjustunud osasid ja polte alati komplektis.

Kasutamine

- Ärge laske mootoril töötada suletud ruumis, kus ohtlik vingugaas koguneda võib.
- Kasutage seadet ainult päevasel ajal või hea kunstliku valgustusega.
- Kallakutel jälgige jalgealust eriti tähelepanelikult.
- Ärge kunagi seadmega jookske, vaid kõndige.
- Ratastega seadmete puhul liikuge kallakutel ristsuunaliselt, mitte üles-alla.
- Kallakutel suunda muutes olge eriti ettevaatlik.
- Ärge kasutage seadet väga järskudel kallakutel.
- Seadmega tagurdades või seda enda poole tõmmates olge väga ettevaatlik.
- Ärge muutke mootori kiirusregulaatori seadistusi ega laske mootoril liiga suure kiirusega töötada.
- Käivitage mootor ettevaatlikult vastavalt tootja juhistele ja nii, et teie jalad ei oleks tööriistale liiga lähedal.
- Ärge asetage oma käsi või jalgu pöörlevate osade lähedale või alla.
- Ärge kunagi tõstke ega kandke töötava mootoriga seadet.

TÖÖTAMINE KALLAKUL

Kallakutel esineb kõige sagedamini libisemisi ja kukkumisi, mille tulemuseks võib olla raske vigastus. Kallakutel jälgige jalgealust eriti tähelepanelikult. Kallakutel töötades tuleb olla eriti tähelepanelik. Kui tunnete ennast kallakul ebakindlalt, ärge seal töötage.

- Jälgige auke, roopaid, kive, peidetud takistusi ja mügarikke, mis võivad põhjustada libisemist või komistamist. Pikas murus võib leiduda takistusi.

HOOLDUS

- **Laske oma akutööriista hooldada kvalifitseeritud remonditehnikul, kes kasutab ainult identseid originaalvaruosi.** See tagab elektritööriista ohutuse.

- **Ärge kunagi hooldage kahjustunud akuplokke.** Akuplokkide hooldust võib teostada ainult tootja või volitatud teeninduskeskus.

⚠ HOIATUS! Lugege läbi kõik elektritööriistaga kaasas olevad hoiatused, juhised, joonised ja andmed.

Alltoodud juhiste eiramine võib põhjustada elektrilööki, tulekahju ja/või tõsiseid vigastusi. Säilitage hoiatused ja juhised hilisemaks kasutuseks.

- Kasutage ainult joonisel A esitatud akuplokke ja laadijaid.

HOIDKE SEE KASUTUSJUHE ALLES

SPETSIFIKATSIOON

Harja trumli läbimõõt	250mm	
Puhastusraam	560mm	
Soovituslik töökeskkonna temperatuur	-15°C -40°C	
Soovituslik hoistamise temperatuur	-20°C-70°C	
Kaal (kaitsepiirdega)	5,05 kg	
Möödetud helivõimsuse tase L_{WA}	91,4 dB(A) K=2,02 dB(A)	
Helivõimsuse tase operaatori kõrva juures L_{PA}	82,8 dB(A) K=2,5 dB(A)	
Garanteeritud helivõimsuse tase L_{WA} (möödetud vastavalt 2000/14/EÜ)	93 dB(A)	
Vibratsiooni a_h mõõtmine	Eesmine abikäepide	0,46 m/s ² K= 1,5 m/s ²
	Tagumine käepide	1,43 m/s ² K= 1,5 m/s ²

- Üldmainitud näitajaid on testitud ja möödetud, kasutades toitepead PH1400E.
- Esitatud vibratsioonitaseme näit on möödetud standardsete testmeetodite kohaselt ja seda võidakse kasutada erinevate tööriistade võrdlemiseks.
- Esitatud vibratsioonitaseme näitu võib kasutada ka algse kokkupuutehinnangu andmiseks.

MÄRKUS! Tegelikul kasutamisel tekki vibratsioonitase võib esitatust erineda; turvalisuse eesmärgil peaks seadme kasutaja tegelikes kasutustingimustes kandma kindaid ja kuulmiskaitseid.

PAKENDI LOEND

OSA NIMI	KOGUS
Tarvik – hari	1
Harjarull	2
Vedav võll	2
Kaitsepiire (poldiga)	1
Kuuskantvõti	1
Splint	2
Lukustustihvt	2
Kasutusjuhend	1

KIRJELDUS

TUNNE OMA TARVIKUT – HARI (jn A)

1. Otsakork
2. Harja vars
3. Kaitsepiire
4. Harjarull
5. Kiiruskast
6. Kinnitusplint
7. Kuuskantvõti

KOKKUPANEK

⚠ HOIATUS! Kui mõni osa on kahjustatud või puudub, ärge kasutage seadet enne, kui see osa on parandatud. Kasutades kahjustatud või vajalike komponentideta seadet, võite saada raskeid vigastusi.

⚠ HOIATUS! Ärge üritage seadet ümber ehitada ega kasutada tarvikuid, mis pole mõeldud selle seadmega koos kasutamiseks. Kõik niisugused muudatused loetakse väärkasutuseks ja need võivad põhjustada ohtlikke olukordi, mis lõppevad raskete vigastustega.

⚠ HOIATUS! Raskeid vigastusi põhjustada võiva juhusliku käivitumise vältimiseks katkestage seadmeosade kokkupaneku ajaks alati aku ühendus.

⚠ HOIATUS! Ärge ühendage harja toitepea külge enne kokkupaneku lõpetamist. Nõude mittejärgimine võib tuua kaasa seadme juhusliku käivitumise ja võimalikud tõsised vigastused.

ET

KAITSEPIIRDE PAIGALDAMINE

⚠ HOIATUS! Paigaldage kaitsepiire enne, kui harja toitepeaga ühendate.

1. Keerake kaitsepiirde polt kuuskantvõtmega lahti ja eemaldage (jn B).
2. Tõstke harja vars üles ja eemaldage selle küljest otsakork.
3. Pange kaitsepiirdes olev süvend kohakuti varre otsas oleva sakiga, liigutage kaitsepiiret, kuni kaitsepiirdes ja varres olevad poltide augud on kohakuti (jn C ja D).

Vt jooniste C ja D osade kirjeldust allpool:

C-1	Pesa
C-2	Sakk
D-1	Polt

4. Kasutage kaasas olevat kuuskantvõtit, et keerata polti päripäeva ja kaitsepiire kindlalt fikseerida.

HARJARULLIDE PAIGALDAMINE

1. Lükake vedav võlli veetava võlli sisse (jn E).

Joonise E osade kirjeldus on esitatud allpool:

E-1	Veetav võlli
E-2	Vedav võlli

2. Et veetav võlli vedava võlli külge kinnitada, sisestage lukustustihvt lukustusavasse.

MÄRKUS! Lukustustihvt tuleb paigaldada (jn F).

Jonise F osade kirjeldus:

F-1	Lukustustihvt
F-2	Lukustusava

3. Paigaldage samamoodi ka teine vedav võlli.
4. Lükake harjarull vedavale võllile (jn G).

Joonise G osade kirjeldus:

G-1	Harjarull
G-2	Vedav võlli

5. Sisestage splint otsas olevasse avasse, et kinnitada harjarull vedava võlli külge (jn H).

Vaadake joonise H osade kirjeldust allpool:

H-1	Kinnitusplint
-----	---------------

6. Paigaldage harja teine rull samamoodi.

HARJA ÜHENDAMINE TOITEPEAGA

⚠ HOIATUS! Ärge kunagi paigaldage või reguleerige ühtegi tarvikut, kui mootor töötab või aku eemaldamata jätmise võib põhjustada raskeid vigastusi.

See hari on mõeldud kasutamiseks koos EGO toitepeaga PH1400E.

1. Seisake mootor ja eemaldage akuplokk.
2. Keerake toitepea ühendusel olev tiibmutter lahti.
3. Kui otsakork on seadme varrel, eemaldage see ja pange hilisemaks kasutamiseks kindlasse kohta.

Pange harja varrel olev nool ühendusel oleva noolega kohakuti (jn E) ja lükake harja vars ühendusse, kuni kuulete klõpsatust (jn F).

Joonise I osade kirjeldus on esitatud allpool:

I-1	Varre vabastusnupp
I-2	Ühendusel asuv nool
I-3	Tiibmutter
I-4	Harja varrel asuv nool
I-5	Punane joon

Vt joonise J osade kirjeldust allpool:

J-1	Punane joon
-----	-------------

4. Tõmmake harja vart kergelt, et kontrollida, kas see on kindlalt ühendusse lukustatud. Kui vars ei ole kindlalt lukustatud, pöörake harja vart ühenduses edasi ja tagasi, kuni kuulete selget klõpsatust, mis annab märku, et vars on ühendatud.
5. Keerake tiibmutter tugevalt kinni.

⚠ HOIATUS! Veenduge enne seadme kasutamist, et ühendusel olev tiibmutter on pingutatud; kontrollige seda perioodiliselt ka kasutamise ajal, et vältida tõsiste kehavigastuste tekkimist.

TARVIKU TOITEPEALT EEMALDAMINE

1. Seisake mootor ja eemaldage akuplokk.
2. Keerake tiibmutter lahti.
3. Harja eemaldamiseks toitepea küljest hoidke varre vabastusnupu all ja tõmmake või keerake harja vars ühendusest välja.

SEADME KASUTAMINE

⚠ HOIATUS! Ärge muutuge toodet tundma õppides hooletuks. Pidage meeles, et raskeid vigastusi põhjustavaks õnnetuseks piisab ka sekundi mürdosa pikkusest tähelepanematuses.

⚠ HOIATUS! Kasutage alati nägemis- ja kuulmiskaitsevahendeid. Vastasel korral võib teile midagi silma paiskuda ja võite saada ka muud laadi raskeid vigastusi.

⚠ HOIATUS! Ärge kasutage liseseadmeid või -tarvikuid, mida selle seadme valmistaja pole soovitanud. Mittesoovituslike liseseadmete või -tarvikute kasutamine võib põhjustada raskeid kehavigastusi.

RAKENDUSED

Seda toodet võib kasutada järgmistel eesmärkidel.

- Platside ja kõnniteede puhastamine, sealhulgas ebatasased ja vuugiga pinnad
- Sillutise/betooni/asfaltkattega sõiduteede, kõnniteede ja hoovide puhastamine.

⚠ HOIATUS! Kandke sobivat riietust, et ennetada vigastuste ohtu tööriista kasutamisel. Ärge kandke ehteid ega avaraid riideid. Kandke silmakaitsevahendeid. Kandke tugevast materjalist pikki pükse, saapaid ja kindaid. Ärge kandke lühikesi pükse või sandaale ega töötage paljajalu. Kui puhastatav pind on kuiv, piserdage seda tolmutamise vähendamiseks veega.

Liikuge harjamise ajal edasisuunas. Hoidke harja ühe käega tagumisest käepidemest ja teise käega eesmisest abikäepidemest. Harjaga töötamise ajal hoidke mõlema käega kindlalt käepidemetest kinni.

Hoidke ja juhtige harja üsna väikese kalde all. Kui harja hoitakse liiga järsu kalde all, kipub see kasutaja poole tagasi liikuma.

Säilitage haaret ja tasakaalu mõlemal jalal (jn K).

Lendav materjal võib seadmega töötavat või kõrvalisi isikuid raskelt vigastada. Vigastusohu vähendamiseks on oluline järgida alltoodud ettevaatusabinõusid.

- Kui harjaga töötate, hoidke seda alati kahe käega. Hoidke mõlemast käepidemest kindlalt kinni.
- Viige hari tööalale enne, kui selle käivitata, ja käivitage see aeglasel käigul.
- Kontrolli kaotamise tõttu tekkiva vigastusohu vähendamiseks hoidke ja juhtige harja väikese kalde all. Kui harja hoitakse liiga järsu kalde all, kipub see kasutaja poole tagasi liikuma.

Enne iga kasutuskorda kontrollige seadme kahjustuste/kulumise suhtes.

Kontrollige harjarulli, kaitsepiiret ja eesmist abikäepidet ning vahetage välja kõik pragunenud, kõverdunud, paindunud või ükskõik millisel moel kahjustunud osad.

Puhastage harja pärast iga kasutuskorda.

Puhastamise juhised leiate hooldust käsitlevast jaotisest.

TÖÖRIISTA KÄIVITAMINE / SEISKAMINE

Lugege tööriistapea PH1400E kasutusjuhendi jaotist "TÖÖRIISTAPEA KÄIVITAMINE/SEISKAMINE".

HOOLDUS

⚠ HOIATUS! Remontimisel kasutage vaid originaalvaruosi. Mis tahes muude osade kasutamine võib põhjustada ohtlikke olukordi või seadet vigastada. Turvalisuse ja vastupidavuse tagamiseks peab kõiki parandustöid läbi viima kvalifitseeritud hooldustehnik.

⚠ HOIATUS! Akuga töötavaid tööriistu pole vaja vooluvõrku ühendada, seega on nad alati töörežiimis. Raskete kehavigastuste ennetamiseks olge väga hoolikas, kui teostate hooldus- või remonttöid või vahetate loike-seadmeid või muid tarvikuid.

⚠ HOIATUS! Raskete kehavigastuste vältimiseks eemaldage akuplokk toitepea küljest ja oodake, kuni hari on seiskunud, enne kui seadet hooldate, puhastate või selle tarvikuid vahetate või kui seadet ei kasutata.

ÜLDHOOLDUS

⚠ HOIATUS! Ärge kunagi laske pidurivedelikel, bensiinil, naftal põhinevatel toodetel, läbitungivatel õildel jms plastosadega kokku puutuda. Kemikaalid võivad plasti vigastada, nõrgestada või hävitada, mille tulemusena võivad tekkida rasked kehavigastused.

⚠ HOIATUS! Harja puhastamisel ÄRGE kastke seda vette ega ühegi teise vedeliku sisse. Ärge puhastage oma seadet survepesuriga. Tugev veejuga võib seadme osasid kahjustada.

HARJA HOOLDAMINE

- Puhastage harja sageli.
- Kui üks harjadest vajab kulumise tõttu väljavahetamist, vahetage parimate töötulemuste tagamiseks välja mõlemad harjad.

Harja kõiki hooldustoiminguid, välja arvatud neid, mis on loetletud siinsetes hooldusjuhistes, peavad läbi viima volitatud hooldustehnikud.

HARJARULLIDE VAHETAMINE

⚠ HOIATUS! Kahjustatud harjarull võib pärast pikaajalist kasutamist puruneda ning selle tükid võivad ohtlikult eemale paiskuda. Lendavad esemed võivad põhjustada tõsiseid vigastusi. Kontrollige harja regulaarselt ja ärge kasutage harja kulunud või kahjustunud osadega.

Eemaldamine (jn L)

1. Eemaldage splint vedava võlli otsast.
2. Tõmmake harjarull koos selle peal oleva katteplaadiga vedavalt võlliit maha.
3. Kui vedav võll on kahjustatud, eemaldage lukustustihv võlli aukust ja tõmmake vedav võll veetavalt võlliit maha (jn M).
4. Kui katteplaat on kahjustatud, tõmmake see harjarullilt maha ja vahetage välja.
5. Teise harjarulli eemaldamiseks toimige samamoodi.

Joonise L osade kirjeldus:

L-1	Veetav võll	L-4	Kinnitusplint
L-2	Lukustustihvt	L-5	Katteplaat
L-3	Harjarull	L-6	Vedav võll

Paigaldamiseks

1. Paigaldage vedav võll veeteava võlli külge ja sisestage lukustustihv vedava võlli auku (vt jn F).
2. Paigaldage katteplaat harjarullile nii, et katteplaadi sakk jääb harjarulli auguga kohakuti (jn N).

Joonise N osade kirjeldus:

N-1	Auk
N-2	Sakk

3. Lükake harjarull vedavale võllile (vt jn G).
4. Sisestage tihvt vedava võlli otsas olevasse auku ja keerake tihvt maha.

5. Paigaldage harja teine rull samamoodi.

⚠ HOIATUS! Vahetage mõlemad harjarullid alati samal ajal.

SEADME PUHASTAMINE

- Eemaldage aku.
- Puhastage harjarulle, kaitsepiiret või jõuülekannet juurtest, mullast või taimedest. Põhjalikuks puhastamiseks eemaldage harjarullid ja kaitsepiire ning peske need põhjalikult puhtaks. Üksikasjalikeks juhisteks, kuidas osad tagasi panna, vaadake jaotist „**HARJARULLIDE VAHETAMINE**“
- Ärge blokeerige ventilatsiooniavasid.

SEADME HOIUSTAMINE

- Eemaldage seadmelt akuplokk.
- Puhastage tööriista põhjalikult ja kontrollige harjarulle.
- Eemaldage hari toitepea küljest ja katke harja vars otsakorgiga, et mustus haakeseadmesse ei pääseks.
- Hoidke tööriista kuivas, hästi ventileeritavas, lukustatud kohas ja kõrgel, lastele ligipääsmatus kohas. Ärge hoiustage seadet väetiste, bensiini või muude kemikaalide peal või lähedal.

Keskkonnamärgid



Ärge visake elektriseadmeid, akulaadurit ega patareisid/akusid olmeprügi hulka! Vastavalt Euroopa Liidu direktiivile 2012/19/EL tuleb elektri- ja elektroonikaseadmed, mis pole enam kasutatavad, ning, vastavalt direktiivile 2006/66/EÜ, ka defektsed või kasutatud akuplokkid / patareisid, eraldi kokku koguda. Kui elektriseadmed maetakse maa sisse või viiakse prügimäele, võivad ohtlikud ained põhjavette lekkida ja toiduahelasse sattuda ning kahjustada teie tervist ja heaolu.

VEAOTSING

PROBLEEM	PÕHJUS	LAHENDUS
Hari ei käivitu.	<ul style="list-style-type: none"> ■ Akuplokk pole korralikult toitepeaga ühendatud. ■ Toitepea ja aku vahel puudub elektriühendus. ■ Akuplokk on tühi. ■ Lukustushooba ja toitepea päästikut ei vajutatud samaaegselt. ■ Seade ei käivitu ikkagi. 	<ul style="list-style-type: none"> ■ Ühendage aku tööriistapeaga. ■ Eemaldage aku, kontrollige kontakte ja paigaldage aku uuesti nii, et see kinnitub klõpsuga. ■ Laadige akuplokki käesolevas juhendis märgitud EGO laaduri abil. ■ Seadme sisse lülitamiseks vajutage lukustushooba ja hoidke seda all ning vajutage päästikut. ■ Küsige abi EGO hoolduskeskusest.
Hari on nähtavalt kahjustatud.	<ul style="list-style-type: none"> ■ Ebatavalised kahjustused transpordi või kasutamise ajal. 	<ul style="list-style-type: none"> ■ Küsige abi EGO hoolduskeskusest.
Hari seiskub kasutamise ajal.	<ul style="list-style-type: none"> ■ Mootor on ülekoormatud. ■ Aku või toitepea on liiga kuum. ■ Akuplokk on tööriista küljest eemaldatud. ■ Akuplokk on tühi. ■ Seade ei käivitu ikkagi. 	<ul style="list-style-type: none"> ■ Mootori võimsus taastub koormuse eemaldamisel. Järjepidevaks töötamiseks vähendage harja koormust. ■ Laske akul või toitepeal jahtuda temperatuurini alla 67 °C. ■ Paigaldage akuplokk tagasi. ■ Laadige akuplokki käesolevas juhendis märgitud EGO laaduri abil. ■ Küsige abi EGO hoolduskeskusest.

GARANTII

EGO GARANTIIPÕHIMÕTTED

Täielikud EGO garantiitingimused leiate veebilehelt egopowerplus.com.

ET

ПРОЧИТАЙТЕ ВСІ ІНСТРУКЦІЇ



ПРОЧИТАЙТЕ ПОСІБНИК З ЕКСПЛУАТАЦІЇ

⚠ Залишковий ризик! Люди з електронними пристроями, наприклад кардіостимуляторами, повинні проконсультуватися зі своїм лікарем (лікарями) перед використанням цього виробу. Експлуатація електрообладнання в безпосередній близькості від кардіостимулятора може спричинити перешкоди або несправність кардіостимулятора.

⚠ ПОПЕРЕДЖЕННЯ. Для гарантування безпеки та надійності всі роботи з ремонту та заміни повинен проводити кваліфікований технічний спеціаліст.

СИМВОЛ БЕЗПЕКИ

Мета символів, пов'язаних із безпекою, – привернути вашу увагу до можливих небезпек. Символи безпеки та їхнє пояснення заслуговують на вашу пильну увагу та розуміння. Символи попереджень самі по собі не усувають будь-якої небезпеки. Інструкції та попередження, які вони надають, не замінюють належних заходів щодо запобігання аваріям.

⚠ ПОПЕРЕДЖЕННЯ. Перш ніж користуватися цим інструментом, обов'язково ознайомтеся з усіма інструкціями з безпеки, наведеними в цьому посібнику користувача, зокрема з усіма символами попереджень, такими як «НЕБЕЗПЕКА», «ПОПЕРЕДЖЕННЯ» та «ЗАСТЕРЕЖЕННЯ». Недотримання наведених нижче вказівок може спричинити ураження електричним струмом, пожежу та/або серйозні травми.

ЗНАЧЕННЯ СИМВОЛУ

⚠ СИМВОЛ ПОПЕРЕДЖЕННЯ ЩОДО БЕЗПЕКИ: Вказує на **НЕБЕЗПЕКУ, ПОПЕРЕДЖЕННЯ** або **ЗАСТЕРЕЖЕННЯ**. Може використовуватися разом з іншими символами або піктограмами.



⚠ ПОПЕРЕДЖЕННЯ. Використання будь-яких електроінструментів може призвести до потрапляння сторонніх предметів в очі, що може спричинити серйозне пошкодження очей. Перед початком експлуатації електроінструмента завжди надягайте закриті захисні окуляри або відкриті захисні окуляри з бічними щитами та, якщо потрібно, повнопрофільну захисну маску. Ми рекомендуємо захисну маску широкого розміру для використання поверх окулярів або стандартні відкриті захисні окуляри з бічними щитами.

UK

ПРАВИЛА ТЕХНІКИ БЕЗПЕКИ

На цій сторінці зображено та описано символи, пов'язані з безпекою, які можуть відобразитися на цьому виробі. Перш ніж намагатися зібрати та експлуатувати його, ознайомтеся з усіма інструкціями на інструменті та дотримуйтесь їх.

	Попередження щодо безпеки	Вказує на потенційну небезпеку травмування.
	Прочитайте посібник з експлуатації	Щоб зменшити ризик травми, користувач повинен ознайомитися з інструкцією користувача перед використанням цього виробу.
	Надягайте засоби захисту очей	Працюючи з цим виробом, завжди носіть закриті захисні окуляри чи відкриті захисні окуляри з бічними щитами або повнопрофільну захисну маску.
	Тримайте сторонніх подалі	Тримайте спостерігачів на безпечній відстані
	Надягайте захисні рукавиці.	Під час роботи з лезами одягайте рукавиці для захисту рук. Міцні рукавички з неслизького матеріалу поліпшують хват і захищають руки.
	Надягайте захисне взуття	Використовуючи таке обладнання, одягайте неслизьке захисне взуття.
	Рикошет	Відкинуті предмети можуть відрикошетитися і призвести до травм або пошкоджень майна.
	Не залишайте під дощем	Не використовуйте цей пристрій у дощ і не залишайте його в дощ надворі.
	CE	Цей виріб відповідає чинним директивам ЄС.

	WEEE	Відходи електричних виробів не слід викидати разом із побутовим сміттям. Зверніться до авторизованого пункту переробки.
	Шум	Гарантований рівень звукової потужності. Розповсюдження шуму в навколишнє середовище згідно з директивою Європейського співтовариства
V	Вольти	Напруга
mm	Міліметр	Довжина або розмір
kg	Кілограм	Вага

ЗАГАЛЬНІ ПОПЕРЕДЖЕННЯ ЩОДО ТЕХНІКИ БЕЗПЕКИ РОБОТИ З ЕЛЕКТРОІНСТРУМЕНТАМИ

▲ ПОПЕРЕДЖЕННЯ! Прочитайте всі попередження безпеки, інструкції, ілюстрації та характеристики, надані з цим електроінструментом. Недотримання наведених нижче вказівок може спричинити ураження електричним струмом, пожежу та/або серйозні травми.

Зберігайте всі попередження та інструкції для використання у майбутньому.

БЕЗПЕКА В РОБОЧІЙ ЗОНІ

- **Робоче місце має бути чистим і гарно освітленим.** Неприбрана або погано освітлена робоча зона може стати причиною нещасного випадку.
- **Не працюйте з інструментом у вибухонебезпечному середовищі, наприклад за наявності легкозаймистих рідин, газів або пилу.** Під час роботи електроприладу утворюються іскри, від яких можуть зайнятися пил або випари.
- **Дітям і спостерігачам заборонено перебувати поруч з електроінструментом, що працює.** Це може відволікати вас і призвести до втрати контролю.

ЕЛЕКТРИЧНА БЕЗПЕКА

- **Бережіть електроінструмент від дощу та вологи.** Вода, що потрапила в електроінструмент, підвищує ризик ураження електричним струмом.

ІНДИВІДУАЛЬНА ТЕХНІКА БЕЗПЕКИ

- **Під час роботи з електроінструментом будьте уважними, слідкуйте за своїми діями та мисліть розсудливо. Не працюйте з електроінструментом, якщо ви втомлені або перебуваєте під дією наркотичних речовин, алкоголю або ліків.** Навіть миттєва втрата пильності під час роботи з електроінструментами може стати причиною важкої травми.
- **Завжди користуйтеся засобами індивідуального захисту.** Використання у відповідних умовах таких засобів індивідуального захисту, як захисні окуляри, протипиловий респіратор, нековзне захисне взуття, шолом-каска і навушники допоможе зменшити ризик травмування.
- **Уникайте випадкового запуску інструмента. Перш ніж підключати електроінструмент до мережі живлення чи акумулятора, брати чи переносити його, перевірте, чи встановлено перемикач у положення «вимкнено».** Якщо переносити електроінструмент, тримаючи палець на перемикачі живлення, або підключати його до джерела живлення, коли перемикач живлення перебуває в положенні «увімкнено», це може призвести до травмування.
- **Перш ніж вмикати електроінструмент, слід зняти всі регульовальні клинці або гайкові ключі.** Якщо залишити такий ключ на рухомій частині електроінструмента, це може призвести до травмування.
- **Не дотягуйтеся. Завжди міцно стійте на ногах і втримуйте рівновагу.** Це дає змогу краще керувати електроінструментом у разі виникнення непередбачуваних ситуацій.
- **Одягайтеся належним чином. Не носіть вільний одяг або біжутерію. Стежте за тим, щоб волосся, одяг та рукавиці не потрапили на рухомі частини.** Вільний одяг, прикраси або довге волосся можуть потрапити в рухомі частини.
- **Якщо пристрої обладнано системою видалення пилу, переконайтеся, що її правильно підключено і що ви використовуєте її належним чином.** Використання пристрою для збирання пилу може зменшити небезпеку, пов'язану з пилом.
- **Не дозволяйте навичкам, отриманим після частого використання інструментів, змусити вас стати самовпевненими та ігнорувати принципи безпеки інструмента.** Недбала дія може спричинити серйозну травму протягом доли секунди.

UK

ВИКОРИСТАННЯ ТА ДОГЛЯД ЗА ЕЛЕКТРОІНСТРУМЕНТОМ

- Не застосовуйте силу до електроінструмента. Використовуйте належний електроінструмент відповідно до потреби. Правильно підібраний електроінструмент допоможе краще і безпечніше зробити роботу зі швидкістю, яка для неї передбачена.
- Не використовуйте електроінструмент, якщо перемикач не вмикає або не вимикає його. Усі електроінструменти, якими неможливо керувати за допомогою перемикача, становлять небезпеку й підлягають ремонту.
- Вийміть акумуляторну батарею, якщо вона знімна, з електроінструмента та/або активуйте будь-який пристрій вимикання акумулятора перед очищенням застряглого матеріалу, будь-якими регулюваннями, заміною аксесуарів, чищенням або зберіганням електроінструментів. Такі запобіжні заходи техніки безпеки зменшують ризик випадкового запуску електроінструмента.
- Зберігайте інструменти, що не використовуються, подалі від дітей і не дозволяйте особам, які не мають досвіду роботи з такими інструментами або не знайомі з цією інструкцією, користуватись електроінструментом. Електроінструменти становлять небезпеку в руках недосвідчених користувачів.
- Доглядайте за електроінструментами та аксесуарами. Перевіряйте їх на предмет розладнання чи блокування рухомих частин, а також будь-яких обставин, які можуть вплинути на роботу електроінструмента. У разі пошкодження електроінструмент слід здати в ремонт, перш ніж користуватися ним. Багато нещасних випадків стаються внаслідок неправильного обслуговування електроінструментів і аксесуарів.
- Тримайте ріжучі інструменти гострими й чистими. Належним чином доглянуті ріжучі інструменти з гострими ріжучими краями рідше блокуються, і ними легше керувати;
- Користуйтеся електроінструментом, аксесуарами та насадками для інструмента згідно з цією інструкцією, зважаючи на робочі умови та роботу, яку слід виконати. Використання електроінструмента не за призначенням може стати причиною виникнення небезпечних ситуацій.
- Підтримуйте руків'я та захватні поверхні сухими, чистими, без жиру і бруду. Слизькі ручки та захватні поверхні не дають змоги безпечно тримати та керувати інструментом у непередбачених ситуаціях.

UK

КОРИСТУВАННЯ І ДОГЛЯД ЗА АКУМУЛЯТОРНИМ ІНСТРУМЕНТОМ

- Заряджайте лише за допомогою зарядного пристрою, указанного виробником. Зарядний пристрій, який підходить для акумуляторів одного виду, може спричинити ризик пожежі у випадку його використання з іншим акумулятором.
- З електроінструментами слід використовувати лише призначені для них акумуляторні батареї. Використання будь-яких інших акумуляторних батарей може призвести до травми або пожежі.
- Коли батарея не використовується, її слід тримати окремо від металевих предметів – затискачів паперу, монет, ключів, цвяхів, шурупів та інших дрібних предметів, які можуть замкнути клемми. Коротке замикання клем акумулятора може стати причиною опіків чи пожежі.
- У надто важких умовах експлуатації з акумулятора може витікати рідина; не доторкайтесь до неї. Якщо випадково ви все ж торкнулися її, слід промити це місце водою. Якщо рідина потрапила в очі, слід також звернутися до лікаря. Рідина, яка виступає з акумулятора, може спричинити подразнення або опіки.
- Не використовуйте акумуляторну батарею або інструмент, які пошкоджено або змінено. Пошкоджені або змінені батареї можуть мати непередбачувану поведінку, що може спричинити пожежу, вибух або ризик травмування.
- Не піддавайте акумуляторну батарею або інструмент дії вогню або високих температур. Вогонь або температура вище 100°C може спричинити вибух.
- Дотримуйтеся усіх інструкцій щодо заряджання та не заряджайте акумуляторну батарею або інструмент за межами температурного діапазону, зазначеного в інструкціях. Зарядження неналежним чином або при температурах за межами вказаного діапазону може пошкодити акумулятор і збільшити ризик виникнення пожежі.

ІНШІ ПОПЕРЕДЖЕННЯ ЩОДО БЕЗПЕКИ

Навчання

- Уважно прочитайте інструкцію. Ознайомтеся з органами керування та правилами належного користування куцорізом.
- Не дозволяйте користуватися цим інструментом особам, які не ознайомилися з інструкцією з експлуатації, і дітям. Місцеві нормативні акти можуть обмежувати вік оператора.

- Ніколи не працюйте, якщо поблизу є люди (особливо діти) або домашні тварини.
- Пам'ятайте, що оператор або користувач несе відповідальність за нещасні випадки або збитки, заподіяні іншим особам чи їх майну.

Підготовка

- Під час роботи завжди носіть міцне взуття й довгі штани. Не експлуатуйте пристрій босоніж або у відкритих сандаліях.
- Ретельно огляньте ділянку, де буде використовуватись інструмент, і приберіть усі предмети, які можуть бути відкинуті ним.
- Перед використанням ретельно огляньте пристрій – чи немає зношених або пошкоджених деталей. Замініть зношені або пошкоджені елементи й болти комплектно для збереження балансу.

Експлуатація

- Не експлуатуйте двигун у замкненому просторі, де можуть накопичуватись небезпечні випари чадного газу.
- Працюйте тільки при денному світлі або доброму штучному освітленні.
- Завжди зберігайте стійке положення ніг на схилах.
- Ходіть з інструментом спокійно, ніколи не бігайте.
- Працюючи з машиною на колесах, рухайтесь упоперек схилів, і ніколи вгору чи вниз.
- Будьте надзвичайно обережні, змінюючи напрямок на схилі.
- Не працюйте на занадто крутих схилах.
- Будьте особливо обережні, рухаючись у зворотному напрямку або тягнучи пристрій до себе.
- Не змінюйте налаштування регулятора двигуна та не перевищуйте допустиму швидкість двигуна.
- Обережно запустіть двигун відповідно до інструкції виробника, при цьому ноги мають бути на достатній відстані від інструмента.
- Не наближайте руки або ноги до частин, що обертаються.
- Ніколи не піднімайте й не переносьте інструмент під час роботи двигуна.

РОБОТА НА СХИЛІ:

Схили є основним чинником, пов'язаним із нещасними випадками, спричиненими падінням унаслідок ковзання, що може призвести до серйозних травм. Завжди зберігайте стійке положення ніг на схилах. Експлуатація на схилах вимагає особливої обережності. Якщо ви відчуваєте незручність на схилі, не працюйте на ньому.

- Остерігайтеся ям, колій, каміння, прихованих предметів або ударів, через які ви можете послизнутись або перечепитись. Висока трава може приховувати перешкоди.

СЕРВІС

- **Обслуговування електроінструмента повинен виконувати кваліфікований ремонтник із використанням лише ідентичних запасних частин.** Це забезпечить нормальну роботу електроінструмента.
- **Ніколи не ремонтуйте пошкоджені акумулятори.** Сервісне обслуговування акумуляторних батарей має виконувати лише виробник або авторизовані постачальники послуг.

⚠ ПОПЕРЕДЖЕННЯ. Прочитайте всі попередження безпеки, інструкції, ілюстрації та характеристики, надані з цим електроінструментом. Недотримання наведених нижче вказівок може спричинити ураження електричним струмом, пожежу та/або серйозні травми. Зберігайте всі попередження та інструкції для використання у майбутньому.

- Використовуйте лише акумулятори та зарядні пристрої, перелічені на рис. А.

ЗБЕРЕЖІТЬ ЦЮ ІНСТРУКЦІЮ

ТЕХНІЧНІ ХАРАКТЕРИСТИКИ

Діаметр барабана щітки	250 мм	
Смуга очищення	560 мм	
Діапазон рекомендованих робочих температур	-15°C-40°C	
Діапазон рекомендованих температур зберігання	-20°C-70°C	
Вага (із захисним кожухом)	5,05 кг	
Вимірний рівень звукової потужності L_{WA}	91,4 дБ(A) K=2,02 дБ(A)	
Рівень звукового тиску на місці вуха оператора L_{PA}	82,8 дБ(A) K=2,5 дБ(A)	
Гарантований рівень звукової потужності L_{WA} (виміряно відповідно до 2000/14/ЕС)	93 дБ(A)	
Оцінка вібрації a_h	Передня допоміжна ручка	0,46 м/с ² K=1,5 м/с ²
	Задня ручка	1,43 м/с ² K=1,5 м/с ²

- Зазначені вище параметри випробувано та виміряно з приводною головкою RH1400E.

UK

- Вказане загальне значення вібрації виміряне за стандартним методом тестування і може використовуватися для порівняння одного інструмента з іншим;
- Заявлене сумарне значення вібрації може також використовуватись для попередньої оцінки впливу.

ПРИМІТКА. Емісія вібрації під час фактичного використання електроінструмента може відрізнятися від заявленої величини, у якій використовується інструмент. Щоб захистити оператора, користувач повинен одягати рукавички та захисні навушники в реальних умовах використання.

ПАКУВАЛЬНИЙ СПИСОК

НАЗВА ДЕТАЛІ	КІЛЬКІСТЬ
Насадка-щетинна щітка	1
Валик щітки	2
Провідна вісь	2
Захисний кожух (з болтом)	1
Торцевий ключ	1
Зчпний штир	2
Фіксатор	2
Посібник користувача	1

ОПИС

ОЗНАЙОМЛЕННЯ З НАСАДКОЮ-ЩЕТИННОЮ ЩІТКОЮ (рис. А)

1. Торцевий ковпачок
2. Вал насадки-щетинної щітки
3. Щиток
4. Валик щітки
5. Корпус редуктора
6. Зчпний штир
7. Торцевий ключ

ЗБИРАННЯ

⚠ ПОПЕРЕДЖЕННЯ. Якщо якісь частини пошкоджені або відсутні, не користуйтеся цим інструментом, доки вони не будуть замінені. Використання цього виробу з пошкодженими або відсутніми деталями може призвести до серйозних травм.

⚠ ПОПЕРЕДЖЕННЯ. Не намагайтеся вдосконалити цю машину або застосувати приладдя, не рекомендоване для неї. Кожна така заміна чи переробка є фактом неправильного користування, створює небезпечні умови й загрожує серйозними травмами.

⚠ ПОПЕРЕДЖЕННЯ. Щоб запобігти випадковому запуску, що може спричинити серйозні травми, завжди від'єднуйте роз'єм акумулятора від гнізда під час монтажу деталей.

⚠ ПОПЕРЕДЖЕННЯ. Не приєднуйте щетинну щітку до приводної головки, доки складання не буде закінчене. Недотримання цієї вимоги може призвести до неконтрольованого запуску та серйозних персональних травм.

УСТАНОВЛЕННЯ ЩІТКА

⚠ ПОПЕРЕДЖЕННЯ. Установіть захисний кожух, перш ніж приєднувати насадку-щетинну щітку до приводної головки.

1. Відкрутіть і зніміть болт із захисного кожуха за допомогою торцевого ключа, що входить у комплект (рис. В).
2. Підніміть вал насадки-щетинної щітки та зніміть торцевий ковпачок із вала.
3. Сумістивши отвір у захисному кожусі з ребром на кінці вала і насуньте захисний кожух на вал, доки гвинтові отвори в захисному кожусі та у валі не буде вирівняно (рис. С та D).

Рис. С і D – див. опис деталей нижче:

C-1	Отвір
C-2	Виступ
D-1	Болт

4. Затягніть болт за годинниковою стрілкою торцевим ключем, який входить у комплект, щоб надійно зафіксувати захисний кожух.

КРІПЛЕННЯ ВАЛИКІВ ЩІТКИ

1. Надягніть провідну вісь на ведений вал (рис. Е).

Рис. Е – див. опис деталей нижче:

E-1	Ведений вал
E-2	Провідна вісь

2. Щоб закріпити провідну вісь на веденому валу, вставте зчпний штифт у запірний отвір.

ПРИМІТКА. Зчіпний штифт необхідно встановити на місце (рис. F).

Рис. F – див. опис деталей нижче:

F-1	Зчіпний штифт
F-2	Запірний отвір

3. Виконайте ті ж дії, щоб установити іншу провідну вісь.
4. Надягніть валик щітки на провідну вісь (рис. G).

Рис. G – див. опис деталей нижче:

G-1	Валик щітки
G-2	Провідна вісь

5. Щоб закріпити валик щітки на приводному валу, вставте зчіпний штифт в отвір на кінці (рис. H).

Рис. H – див. опис деталей нижче:

H-1	Зчіпний штир
-----	--------------

6. Виконайте ті ж дії, щоб установити інший валик щітки.

ПІД'ЄДНАННЯ НАСАДКИ-ЩЕТИННОЇ ЩІТКИ ДО ПРИВІДНОЇ ГОЛОВКИ

⚠ ПОПЕРЕДЖЕННЯ. Ніколи не закріплюйте та не регулюйте насадки під час роботи приводної головки, або коли батарея встановлена. Якщо не зупинити мотор і не зняти батарею, це може призвести до серйозних травм.

Ця насадка-щетинна щітка призначена для використання з приводною головкою EGO PH1400E.

1. Вимкніть мотор і вийміть акумулятор.
2. Відкрутіть гайку-баранець на муфті приводної головки.
3. Якщо торцевий ковпачок перебуває на валу насадки, зніміть його та відкладіть у надійне місце для подальшого використання.

Вирівняйте стрілку на валу щетинної щітки зі стрілкою на муфті (рис. I) та засуньте вал щетинної щітки в муфту, доки не почуєте чітке «кляцання» (рис. J).

Рис. I – див. опис деталей нижче:

I-1	Кнопка від'єднання вала
I-2	Стрілка на муфті
I-3	Гайка-баранець
I-4	Стрілка на валі насадки
I-5	Червона лінія

Рис. J – див. опис деталей нижче:

J-1	Червона лінія
-----	---------------

4. Злегка потягніть вал насадки-щетинної щітки, щоб перевірити, чи він надійно зафіксований у муфті. Якщо ні, обертайте вал щетинної щітки назад і вперед у муфті, доки не почуєте чіткий звук кляцання, який вказуватиме, що він закріплений.
5. Зафіксуйте гайку-баранець надійно.

⚠ ПОПЕРЕДЖЕННЯ. Упевніться, що гайку-баранець на муфті повністю затягнуто, перед використанням обладнання. Періодично перевіряйте її на міцність під час використання, щоб уникнути серйозних травм.

ЗНЯТТЯ НАСАДКИ З ПРИВІДНОЇ ГОЛОВКИ

1. Вимкніть мотор і вийміть акумулятор.
2. Відкрутіть гайку-баранець.
3. Якщо кнопка розблокування вала увімкнена, витягніть або викрутіть вал насадки-щетинну щітку з муфти, щоб виїняти її з приводної головки.

ЕКСПЛУАТАЦІЯ

⚠ ПОПЕРЕДЖЕННЯ. Знання виробу не має робити вас недбалим. Пам'ятайте, що лічені секунди неухважності досить для серйозної травми.

⚠ ПОПЕРЕДЖЕННЯ. Завжди носіть засоби захисту органів зору та слуху. Без окулярів ви ризикуєте травмами очей від викинутих предметів та іншими серйозними травмами.

⚠ ПОПЕРЕДЖЕННЯ. Не використовуйте приладдя чи насадки, не рекомендовані виробником цього пристрою. Використання нерекomenдованого приладдя чи насадок може призвести до серйозних травм.

ЗАСТОСУВАННЯ

Ви можете використовувати цей виріб для цілі, зазначеної нижче:

- Очищення ділянок і доріжок, зокрема нерівних поверхонь і стиків.
- Очищення тротуарів/бетонних/асфальтових проїздів, проходів і дворів.

⚠ ПОПЕРЕДЖЕННЯ. Одягайтеся правильно, щоб зменшити ризик травми під час роботи з цим інструментом. Не носіть вільного одягу або прикрас. Носіть засоби захисту очей. Носіть важкі, довгі штани, міцне взуття та рукавички. Не носіть шорти, сандалії, не працюйте босоніж.

Якщо поверхня, що очищається, суха, бризніть на неї водою, щоб зменшити кількість пилу, що утворюється.

Слід працювати щетинною щіткою вперед. Тримайте щетинну щітку однією рукою за задню ручку, а іншою рукою за передню допоміжну ручку. Під час експлуатації щетинної щітки тримайте її міцно обома руками.

Тримайте та направляйте щетинну щітку під невеликим кутом. Якщо щетинна щітка утримується під занадто крутим кутом, вона має тенденцію відштовхуватися назад до оператора.

Зберігайте хват і рівновагу на обох ногах (рис. К).

Відкинуті матеріали можуть серйозно пошкодити оператора або сторонніх спостерігачів. Щоб зменшити ризик травмування, необхідно вжити таких запобіжних заходів:

- Під час роботи міцно тримайте щетинну щітку обома руками. Міцно тримайте обидві ручки.
- Перемістіть щетинну щітку на робочу ділянку перед запуском та запустіть щетинну щітку на меншій швидкості.
- Щоб знизити ризик отримання травми через втрату контролю, тримайте та направляйте щетинну щітку під невеликим кутом. Якщо щетинна щітка утримується під занадто крутим кутом, вона має тенденцію відштовхуватися назад до оператора.

Перед кожним використанням перевірте наявність пошкодження/зношених деталей

Перевірте валик щітки, захисний кожух, передню ручку та провідну вісь, а також замініть будь-які частини, які тріснули, викривлені, зігнуті або пошкоджені.

Очищайте щетинну щітку після кожного використання

Див. розділ «Технічне обслуговування» для отримання вказівок з очищення

ЗАПУСК/ЗУПИНКА ІНСТРУМЕНТА

Див. розділ «ЗАПУСК/ЗУПИНКА ПРИВІДНОЇ ГОЛОВКИ» в посібнику користувача приводної головки RN1400E.

UK

ОБСЛУГОВУВАННЯ

▲ ПОПЕРЕДЖЕННЯ. Використовуйте для технічного обслуговування лише ідентичні запчастини. Використання будь-яких інших частин створює небезпеку або може призвести до поломки виробу. Для гарантування безпеки та надійності всі ремонтні роботи повинен проводити кваліфікований технічний спеціаліст.

▲ ПОПЕРЕДЖЕННЯ. Акумуляторні інструменти не потрібно підключати до електричної розетки; отже, вони завжди в робочому стані. Щоб запобігти серйозному травмуванню, вживайте додаткових заходів та будьте обережні під час технічного обслуговування або зміни різального обладнання чи інших пристосувань.

▲ ПОПЕРЕДЖЕННЯ. Щоб запобігти серйозним травмам, вийміть акумуляторну батарею з приводної головки та зачекайте, доки щетинна щітка не зупиниться, перед обслуговуванням, чищенням, заміною аксесуарів, або коли пристрій не використовується.

ЗАГАЛЬНИЙ ТЕХНІЧНИЙ ДОГЛЯД

▲ ПОПЕРЕДЖЕННЯ. Ніколи не допускайте контакту пластмасових частин із гальмівною рідиною, газоліном, нафтопродуктами, проникаючими оліями й т. ін. Хімікати можуть пошкодити, ослабити або зруйнувати пластмасу, а це загрожує серйозними травмами.

▲ ПОПЕРЕДЖЕННЯ. Під час чищення насадки-щетинної щітки НЕ занурюйте її у воду чи інші рідини. Не очищуйте інструмент за допомогою пристрою миття під тиском. Сильний струмінь води може пошкодити деталі інструмента.

ОБСЛУГОВУВАННЯ ВАЛИКА ЩІТКИ

- Регулярно чистьте валик щітки.
- Якщо будь-який із валиків щітки потребує заміни через пошкодження, замініть обидва валики щітки для найкращої продуктивності.

Усі роботи з ремонту щетинної щітки, крім описаних в інструкціях з обслуговування, повинен проводити кваліфікований технічний спеціаліст.

ЗАМІНА ВАЛИКІВ ЩІТКИ

▲ ПОПЕРЕДЖЕННЯ. Пошкоджений валик щітки може розірватися на шматки після тривалого використання, що може привести до небезпеки відкидання уривків. Відкинуті предмети можуть призвести до серйозних травм. Регулярно оглядайте щетинну щітку й не використовуйте її зі зношеними або пошкодженими деталями.

Зняття (рис. L)

1. Зніміть зчпний штир із кінця провідної осі.
2. Зніміть валик щітки разом із запобіжною пластиною на ньому з провідної осі.
3. Якщо провідна вісь пошкоджена, вийміть стопорний штифт з отвору провідної осі та зніміть провідну вісь із веденого вала (рис. M).

4. Якщо запобіжна пластина пошкоджена, зніміть її з валика щітки й замініть.
5. Виконайте ті ж дії, щоб зняти інший валик щітки.

Рис. L див. опис деталей нижче:

L-1	Ведений вал	L-4	Зчіпний штир
L-2	Зчіпний штифт	L-5	Запобіжна пластина
L-3	Валик щітки	L-6	Провідна вісь

Установлення

1. Установіть провідну вісь на ведений вал і вставте стопорний штифт в отвір на провідній осі (див. рис. F).
2. Установіть запобіжну пластину на валик щітки так, щоб ребро в запобіжній пластині було вирівняно з отвором на валику щітки (рис. N).
Рис. N – див. опис деталей нижче:

N-1	Отвір
N-2	Виступ

3. Надягніть валик щітки на провідну вісь (див. рис. G).
4. Вставте зчіпний штир в отвір на кінці провідної осі та складіть його.
5. Виконайте ті ж дії, щоб установити інший валик щітки.

⚠ ПОПЕРЕДЖЕННЯ. Завжди замінійте обидва валики щітки одночасно.

ОЧИЩЕННЯ ПРИЛАДУ

- Вийміть акумулятор.
- Приберіть шматки коренів, землю або рослини з щетинної щітки, захисного кожуха або корпусу редуктора. Для ретельного очищення зніміть валики щітки та захисний кожух, щоб ретельно промити їх. Детальні вказівки із заміни див. вище в розділі ЗАМІНА ВАЛИКІВ ЩІТКИ.
- Не допускайте перекриття вентиляційних отворів.

ЗБЕРІГАННЯ ПРИЛАДУ

- Вийміть акумуляторну батарею з інструмента.
- Ретельно очистьте інструмент і огляньте валики щітки.
- Зніміть насадку-щетинну щітку із приводної головки та закрийте вал насадки торцевим ковпачком, щоб уникнути потрапляння бруду в муфту.
- Зберігайте інструмент у сухому, добре вентиляваному, закритому або високо розташованому недоступному для дітей місці. Не зберігайте пристрій біля мінеральних добрив,

бензину та інших хімікатів.

Захист довкілля



Не викидайте електричне обладнання, зарядний пристрій та батареї/акумулятори в побутові відходи! Відповідно до європейського закону 2012/19/ЄС електричне та електронне обладнання, яке більше не придатне для використання, і згідно з європейським законом 2006/66/ЄС дефектні або використані акумуляторні батареї мають збиратись окремо. Якщо електричний пристрій утилізується на сміттєзвалищі, небезпечні речовини можуть вилетіти в ґрунті води та потрапити в харчовий ланцюг, що може зашкодити вашому здоров'ю та самопочуттю.

УСУНЕННЯ НЕСПРАВНОСТЕЙ

НЕСПРАВНІСТЬ	ПРИЧИНА	ВИРІШЕННЯ
Щетинна щітка не запускається.	<ul style="list-style-type: none"> ■ Акумуляторна батарея не приєднана до приводної головки належним чином. ■ Немає електричного контакту між приводною головкою та акумуляторною батареєю. ■ Акумуляторна батарея розряджена. ■ Важіль блокування та тригер приводної головки не натиснуто одночасно. ■ Усе ще не запускається з причин, не зазначених вище. 	<ul style="list-style-type: none"> ■ Прикріпіть акумулятор до приводної головки. ■ Вийміть акумулятор, перевірте контакти та встановіть акумулятор знову, щоб він зафіксувався. ■ Заряджайте акумулятор зарядним пристроєм EGO, зазначеним у цьому посібнику. ■ Натисніть важіль блокування та утримуйте його, а потім натисніть на тригер, щоб увімкнути. ■ Зверніться до клієнтської служби EGO.
Щетинна щітка явно пошкоджена.	<ul style="list-style-type: none"> ■ Ненормальне пошкодження під час транспортування або використання. 	<ul style="list-style-type: none"> ■ Зверніться до клієнтської служби EGO.
Щетинна щітка зупиняється під час роботи.	<ul style="list-style-type: none"> ■ Мотор перевантажено. ■ Акумулятор або приводна головка занадто гаряча. ■ Акумулятор від'єднано від інструмента. ■ Акумуляторна батарея розряджена. ■ Усе ще не запускається з причин, не зазначених вище. 	<ul style="list-style-type: none"> ■ Мотор відновить роботу, коли навантаження буде усунуто. Для безперервної роботи зменште навантаження на щетинну щітку. ■ Дайте акумуляторній батареї або приводній головці охолонути, доки її температура не опуститься нижче 67 °C. ■ Знову встановіть акумуляторну батарею. ■ Заряджайте акумулятор зарядним пристроєм EGO, зазначеним у цьому посібнику. ■ Зверніться до клієнтської служби EGO.

UK

ГАРАНТІЯ

ПРАВИЛА ГАРАНТІЇ EGO

Відвідайте веб-сайт egopowerplus.com для отримання повного тексту умов гарантійної політики EGO.

ПРОЧЕТЕТЕ ВСИЧКИ ИНСТРУКЦИИ!



ПРОЧЕТЕТЕ РЪКОВОДСТВОТО НА ОПЕРАТОРА

⚠️ Остатъчен риск! Хора с електронни устройства, като пейсмейкър трябва да се консултират с лекуващия(те) си лекар(и) преди употреба на този продукт. Работата с електрическо оборудване в непосредствена близост до сърдечен пейсмейкър може да предизвика смущение или неизправност на пейсмейкъра.

⚠️ ПРЕДУПРЕЖДЕНИЕ: За да осигурите безопасността и надеждността, всички поправки и подмени трябва да се извършват от квалифициран сервизен техник.

СИМВОЛ ЗА БЕЗОПАСНОСТ

Целта на символите за безопасност е да привлечат вниманието към възможни опасности. Символите за безопасност и обясненията към тях заслужават вашето повишено внимание и осъзнаване. Символите за безопасност сами по себе си не елиминират каквато и да е опасност. Инструкциите и предупрежденията, които предоставят не са заместители за подходящите мерки за предотвратяване на инцидент.

⚠️ ПРЕДУПРЕЖДЕНИЕ: Уверете се, че сте прочели и осъзнали всички инструкции за безопасност в това Ръководство на оператора, включително всички известяващи символи за безопасност, като **“ОПАСНОСТ,” “ПРЕДУПРЕЖДЕНИЕ,”** и **“ВНИМАНИЕ”** преди да използвате този инструмент. Неспазването на всички инструкции изброени долу може да доведе до електрически шок, пожар и/или сериозно нараняване.

ЗНАЧЕНИЕ НА СИМВОЛИТЕ

⚠️ СИМВОЛ СИГНАЛИЗИРАЩ ЗА

БЕЗОПАСНОСТ: Означават **ОПАСНОСТ, ПРЕДУПРЕЖДЕНИЕ ИЛИ ВНИМАНИЕ,** може да бъде използван във връзка с други символи или пиктограми.






⚠️ ПРЕДУПРЕЖДЕНИЕ: Експлоатацията на всички електрически инструменти, може да доведе до изхвърляне на чужди предмети към вашите очи, което може да доведе до сериозно нараняване на очите. Преди започване на работа с електрически инструмент, винаги носете предпазни очила със странична защита и визьор за цялото лице, когато е необходимо. Ние препоръчваме предпазна маска с широк визьор за употреба над очила или стандартни предпазни очила със странична защита.

ИНСТРУКЦИИ ЗА БЕЗОПАСНОСТ

Тази страница изобразява и описва символите за безопасност, които може да се появят по този продукт. Прочетете, осъзнайте и следвайте всички инструкции по машината преди предприемане на сглобяване и работа.

	Сигнал за безопасност	Показва риска от потенциално нараняване на човек.
	Прочетете ръководството на оператора	За намаляване на опасността от нараняване, потребителят трябва да прочете и разбере ръководството на оператора преди използването на този продукт.
	Носете защита за очите	Винаги носете предпазни очила със странична защита и предпазен екран за цялото лице, когато работите с този продукт.
	Дръжте околните хора надалеч	Дръжте околните на безопасно разстояние
	Носете защитни ръкавици	Защитете ръцете си с ръкавици, когато боравите с ножове. Неплъзгащите се ръкавици за тежка работа подобряват вашия захват и защитават ръцете.
	Носете предпазни ръкавици	Носете неплъзгащи се обувки за безопасност, когато използвате това оборудване.
	Рикошет	Изхвърлените обекти могат да рикошират и да доведат до нараняване или щети по собствеността.
	Не излагайте на дъжд	Не използвайте в дъжд или не го оставяйте навън, когато вали.

BG

	CE	Този продукт е в съответствие с приложимите директиви на ЕС.
	WEEE	Отпадъчните електрически продукти не трябва да бъдат изхвърляни заедно с домакинския отпадък. Отнесете го до упълномощено място за рециклиране.
	Шум	Гарантирано ниво на мощност на звука. Звуковите емисии към околната среда са в съответствие с директивите на европейската общност.
V	Волт	Напрежение
mm	Милиметър	Дължина или размер
kg	Килограм	Тегло

ОБЩИ ПРЕДУПРЕЖДЕНИЯ ЗА БЕЗОПАСНОСТ НА ЕЛЕКТРИЧЕСКИ ИНСТРУМЕНТИ

▲ ПРЕДУПРЕЖДЕНИЕ! Прочетете всички предупреждения за безопасност, инструкции, илюстрации и спецификации предоставени с този електрически инструмент. Неспазването на всички инструкции изброени долу може да доведе до токов удар, пожар и/или сериозно нараняване.

Запазете всички предупреждения и инструкции за бъдеща справка.

БЕЗОПАСНОСТ В РАБОТНАТА ЗОНА

- Поддържайте работната зона чиста и добре осветена. Разхвърляни или тъмни работни зони пораждат инциденти.
- Не работете с електрически инструменти в експлозивна атмосфера, като например в присъствието на запалими течности, газ или прах. Електрическият инструмент създава искра, която може да възпламени праха или изпаренията.
- Дръжте на разстояние децата и страничните лица, докато работите с електрически инструмент. Разсейването може да причини загуба на контрол.

ЕЛЕКТРИЧЕСКА БЕЗОПАСНОСТ

- Не излагайте електрическите инструменти на дъжд или влажни условия. Навлизането на вода в електрическия инструмент ще увеличи риска от токов удар.

ЛИЧНА БЕЗОПАСНОСТ

- Внимавайте, гледайте какво правите и използвайте здрав разум, когато работите с електрически инструмент. Не използвайте електрически инструмент, когато сте уморени или когато сте под влияние на наркотици, алкохол или лекарства. Момент невнимание по време на работата с електрически инструмент, може да доведе до сериозно лично нараняване.
- Винаги използвайте лични предпазни средства. Лични предпазни средства като прахови маски, неплъзгащи се безопасни обувки, твърда каска или защита за слуха използвана при подходящи условия ще намали риска от лични наранявания.
- Предотвратете непреднамерено пускане. Уверете се, че ключът е в изключена позиция, преди да свържете към захранване и/или батерия, повдигайки или носейки инструмента. Носейки инструмента, докато пръстът ви е на спусъка или подаването на захранване на инструменти, които са с включен прекъсвач е предпоставка за инциденти.
- Извадете всеки регулиращ ключ или гаечен ключ, преди да включите захранването. Гаечен или друг ключ оставен закачен към въртящите се части на електрическия инструмент, може да доведе до лично нараняване.
- Не се протягайте. Запазете правилна стойка и баланс по всяко време. Това позволява по-добър контрол върху електрическия инструмент в непредвидени ситуации.
- Облечете се подходящо. Не носете свободни дрехи или накити. Дръжте косата, дрехите и ръкавиците далеч от движещи се части. Отпуснати дрехи, бижута или дълга коса, могат да бъдат хванати в движещите се части.
- Ако са предоставени устройства за свързване на прахоуловител или съоръжения за събиране, уверете се, че те са свързани и са правилно използвани. Употребата на устройства за прах може да намали рисковете свързани с прах.
- Не позволявайте на рутинността придобита от честата употреба на инструмента да позволи да станете небрежни и да игнорирате принципите за безопасност на инструмента. Небрежно действие може да причини сериозно нараняване за части от секундата.

УПОТРЕБА И ГРИЖА ЗА ЕЛЕКТРИЧЕСКИЯ ИНСТРУМЕНТ

- Не пресилявайте електрически инструмент. Използвайте правилния електрически инструмент за вашата работа. Правилният електрически инструмент ще свърши работата по-добре и по-безопасно при капацитета за който е проектиран.
- Не използвайте електрически инструмент ако ключът не го включва или изключва. Всеки електрически инструмент, който не може да бъде контролиран от ключа е опасен и трябва да бъде поправен.
- Премахнете акумулаторната батерия, ако е изваждаща се, от електрическия инструмент и/или активирайте устройство за изключване на батерията, преди да почистите заседнал материал, да извършвате каквито да работят настройки, да смените аксесоари, да почистите или прибирате електрически инструменти. Тези предпазни мерки намаляват риска от стартиране на електрическия инструмент по невнимание.
- Дръжте свободния електрически инструмент извън достъпа до деца и не позволявайте хора, които не са запознати с електрическия инструмент или тези инструкции да работят с него. Електрическите инструменти са опасни в ръцете на необучени потребители.
- Поддръжка на електрически инструменти и аксесоари. Проверете за разместване или блокиране на подвижни части, счупване на части, и всякакви други условия, които могат да повлияят на работата на електрическия инструмент. При повреда ремонтирайте инструмента преди употреба. Много злополуки се причиняват от лошо поддържани електрически инструменти и аксесоари.
- Дръжте режещите инструменти остри и чисти. Правилно поддържани режещи инструменти, с остри режещи ръбове е по-малко вероятно да се заклещат и по-лесно се контролират.
- Използвайте електрическия инструмент, аксесоарите, частите на инструмента и т.н в съответствие с тези инструкции, като вземете предвид условията на работа и вида работа, която ще бъде извършвана. Употребата на електрическия инструмент за дейности различни от предназначенията може да доведе до опасни ситуации.
- Дръжте ръкохватките и местата за захващане сухи, чисти и без масло и грес. Хлъзгавите ръкохватки и места за захващане не позволяват безопасно боравене и контролиране на инструмента при неочаквана ситуация.

УПОТРЕБА И ГРИЖА ЗА ИНСТРУМЕНТ С БАТЕРИЯ

- Презареждайте само със зарядното устройство определено от производителя. Зарядно устройство, което е подходящо за един вид акумулаторна батерия може да създаде опасност от пожар, когато се използва с друга акумулаторна батерия.
- Използвайте електрически инструменти само със специфично обозначени акумулаторни батерии. Използването на всяка друга акумулаторна батерия може да създаде риск от нараняване и пожар.
- Когато акумулаторните батерии не са в употреба ги дръжте на разстояние от други метални обекти, като кламери, монети, ключове, пирони, отвертки или други малки метални предмети, които могат да направят свързване между клемите. Свързване на късо на клемите на батерията може да причини изгаряне или пожар.
- При условия на злоупотреба, може да се изхвърли течност от батерията. Избягвайте контакт. В случай на инцидентен контакт измийте с вода. Ако течността влезе в контакт с очите, потърсете допълнително медицинска помощ. Течността изхвърлена от батерията може да причини раздразнение или изгаряния.
- Не използвайте акумулаторна батерия или инструмент, които са повредени или модифицирани. Повредените или модифицираните батерии може да проявят непредсказуемо поведение, което да доведе до пожар, експлозия или риск от нараняване.
- Не излагайте батерията или инструмента на огън или прекомерна температура. Излагане на огън или температури над 100 °C може да причини експлозия.
- Следвайте всички инструкции за зареждане и не зареждайте батерията или инструмента извън температурния обхват зададен в инструкциите. Неправилното зареждане или зареждане извън определения температурен обхват може да повреди батерията и да повиши риска от пожар.

ДРУГИ ПРЕДУПРЕЖДЕНИЯ ЗА БЕЗОПАСНОСТ

BG

Обучение

- Прочете внимателно инструкциите. Запознайте се с управлението и правилната употреба на машината.
- Никога не позволявайте на хора, непознати с тези инструкции или деца да използват машината. Местните разпоредби могат да ограничат възрастта на оператора.

- Никога не работете, докато в близост има хора, особено деца или домашни любимци.
- Не забравяйте, че операторът или потребителят носи отговорност за злополуки или рискове по отношение на други хора или тяхното имущество.

Подготовка

- Докато работите винаги носете масивни обувки и дълги панталони. Не работете с оборудването, когато сте бос или носите отворени сандали.
- Инспектирайте старателно зоната, където ще бъде използвано оборудването и премахнете всички предмети, които могат да бъдат изхвърлени от машината.
- Преди употреба правете винаги визуална инспекция за да проверите дали инструментите не са износени или повредени. Подменяйте износените или повредените елементи и болтове в комплект за да съхраните баланса.

Експлоатация

- Не работете с двигателя в затворени пространства, където може да се събере дим съдържащ опасен въглероден моноксид.
- Работете единствено на дневна светлина или на добра изкуствена светлина.
- Винаги бъдете сигурни за стабилността на краката по наклон.
- Ходете, никога не бягайте с машината.
- За колесна, ротационна машина работете напречно на наклона, никога нагоре или надолу.
- Бъдете изключително внимателни, когато сменяте посоката при склонове.
- Не работете върху прекалено стръмни склонове.
- Бъдете с повишено внимание, когато давате назад или издърпвате машината към вас.
- Не променяйте настройките на регулатора на двигателя или не превишавайте скоростта на двигателя.
- Стартирайте двигателя внимателно съгласно инструкциите на производителя и с крака далеч от инструмента.
- Не поставяйте ръцете или краката си в близост или под въртящите се части.
- Никога не вдигайте или носете машината, докато двигателят работи.

РАБОТА ВЪРХУ НАКЛОН:

Наклоните са главен фактор свързан с инциденти с подхлъзване и падане, които могат да доведат до сериозно нараняване. Винаги бъдете сигурни за

стабилността на краката по наклон. Работата при наклони изисква допълнително внимание. Ако се чувствате неуверени по наклон, не работете.

- Внимавайте за дупки, бразди, скрити предмети или издатини, които могат да причинят подхлъзване или препъване. Високата трева може да скрие препятствия.

ОБСЛУЖВАНЕ

- **Обслужвайте вашия електрически инструмент чрез квалифициран техник, като използвате само идентични резервни части.** Това ще осигури поддържането на безопасност на електрическия инструмент.
- **Никога не поправяйте повредени акумулаторни батерии.** Ремонтът на акумулаторни батерии трябва да бъде извършван от производителя или оторизиран сервиз.

▲ ПРЕДУПРЕЖДЕНИЕ: Прочетете всички предупреждения за безопасност, инструкции, илюстрации и спецификации предоставени с този електрически инструмент. Неспазването на всички инструкции изброени долу може да доведе до токов удар, пожар и/или сериозно нараняване. Запазете всички предупреждения и инструкции за бъдеща справка.

- Използвайте само с акумулаторни батерии и зарядни устройства изброени на фиг. А.

ЗАПАЗЕТЕ ТЕЗИ ИНСТРУКЦИИ

СПЕЦИФИКАЦИИ

Диаметър на четковия барабан	250 мм
Тампон за почистване	560 мм
Препоръчителна работна температура	-15°C-40°C
Препоръчителна температура на съхранение	-20°C-70°C
Тегло (включително предпазителя)	5,05 кг
Измерено ниво на сила на звука L_{WA} K=2,02 dB(A)	91,4 dB(A)
Ниво на звуково налягане при ухото на оператора L_{PA} K=2,5 dB(A)	82,8 dB(A)
Гарантирано ниво на сила на звука L_{WA} (измерено съгласно 2000/14/ЕС)	93 dB(A)

Оценка на вибрации a_h	Предна спомагателна ръкохватка	0,46 m/s ² K = 1,5 m/s ²
	Задна ръкохватка	1,43 m/s ² K = 1,5 m/s ²

- Горните параметри са тестовани и измерени оборудвани със захранваща глава RH1400E.
- Деклариеният общ размер на вибрации е измерен в съответствие със стандартния метод за тест и може да бъде използван за сравнение между два инструмента;
- Деклариеният общ размер на вибрации може също така да бъде използван за предварителна оценка на влиянието.

БЕЛЕЖКА: Вибрационните емисии по време на действителната употреба на електрическия инструмент може да се различава от декларираната стойност. С цел да се защити оператора, потребителят трябва да носи ръкавици и антифони в действителни условия на работа.

ОПАКОВЪЧЕН ЛИСТ

ИМЕ НА ЧАСТ	БРОЙ
Приставка четка от четина	1
Четкова ролка	2
Задвижваща ос	2
Предпазител (с болт)	1
Ключ за вътрешен шестостен	1
Щифт за теглене	2
Щифт за заключване	2
Ръководство на оператора	1

ОПИСАНИЕ

ЗАПОЗНАЙТЕ СЕ С ВАШАТА ПРИСТАВКА ЧЕТКА ОТ ЧЕТИНА (Фиг. А)

1. Крайна капачка
2. Вал на приставката четка от четина
3. Предпазител
4. Четкова ролка
5. Редуктор
6. Щифт за теглене
7. Ключ за вътрешен шестостен

МОНТАЖ

⚠ ПРЕДУПРЕЖДЕНИЕ: Ако някои от частите са повредени или липсват, не работете с този продукт, докато частите не се подменят. Използването на този продукт с повредени или липсващи части може да доведе до сериозно лично нараняване.

⚠ ПРЕДУПРЕЖДЕНИЕ: Не се опитвайте да модифицирате този продукт или да създадете аксесоари, които не се препоръчват за употреба с тази машина. Всяка такава промяна или модификация е злоупотреба и може да доведе до опасни условия с последици от възможни сериозни наранявания.

⚠ ПРЕДУПРЕЖДЕНИЕ: За да предотвратите случайно стартиране, което може да причини сериозно винаги изваждайте конектора на акумулаторната батерия от контакта, когато слобвявате частите.

⚠ ПРЕДУПРЕЖДЕНИЕ: Не свързвайте четката от четина със захранващата глава, докато монтажът не е завършен. Неспазването може да доведе до инцидентно стартиране и възможно сериозно нараняване.

МОНТАЖ НА ПРЕДПАЗИТЕЛЯ

⚠ ПРЕДУПРЕЖДЕНИЕ: Инсталирайте предпазителя преди приставката за култиватор да бъде свързана към захранващата глава.

1. Разхлабете и отстранете болта от предпазителя с предоставения ключ за вътрешен шестостен (Фиг. В).
2. Повдигнете шпиндела на приставката четка от четина и отстранете крайната капачка от шпиндела.
3. Подравнете прореза в предпазителя с металната ребро на единия край на шпиндела, прекарайте предпазителя през шпиндела, докато отворите с резба в предпазителя и шпиндела съвпадат (Фиг. С и D).

Фиг. С и D описание на части виж долу:

C-1	Прорез
C-2	Ребро
D-1	Болт

4. Използвайте предоставения ключ за вътрешен шестостен, за да затегнете болта по часовниковата стрелка, за са фиксирате сигурно предпазителя.

BG

МОНТАЖ НА ЧЕТКОВИТЕ РОЛКИ

1. Натиснете задвижващата ос върху задвижващия вал (Фиг. Е).

Фиг. Е описание на части виж долу:

E-1	Задвижващ вал
E-2	Задвижваща ос

2. За да закрепите ножа към задвижващия вал вмъкнете щифта за теглене във фиксиращия отвор

БЕЛЕЖКА: Щифтът за заключване трябва да бъде инсталиран на място (Фиг. F).

Фиг. F описание на части виж долу:

F-1	Щифт за заключване
F-2	Фиксиращ отвор

3. Следвайте същите стъпки, за да монтирате другата задвижваща ос.
4. Избутайте четковата ролка върху задвижващата ос (Фиг. G).

Фиг. G описание на части виж по-долу:

G-1	Четкова ролка
G-2	Задвижваща ос

5. Вмъкнете щифта за теглене в отвора в края, за да фиксирате четковата ролка към задвижващата ос (Фиг. H).

За описание на частите на Фиг. H вижте долу:

H-1	Щифт за теглене
-----	-----------------

6. Следвайте същите стъпки, за да монтирате другата четкова ролка.

СВЪРЗВАНЕ НА ПРИСТАВКАТА ЧЕТКА ОТ ЧЕТИНА КЪМ ЗАХРАНВАЩАТА ГЛАВА

⚠ ПРЕДУПРЕЖДЕНИЕ: Никога не монтирайте или регулирайте приставка, докато захранващата глава работи или когато батерията е монтирана. Неспазването за спиране на мотора и изваждане на батерията може да доведе до сериозно нараняване.

BG

Тази приставка хресторез е проектирана за употреба с EGO захранваща глава PH1400E.

1. Спрете двигателя и извадете акумулаторната батерия
2. Разхлабете крилчатата гайка на съединителя на захранващата глава.
3. Ако крайната капачка е на шпиндела на приставката, отстранете я и запазете на сигурно

място за по-късна употреба.

Подравнете стрелката на шпиндела на четката от четина със стрелката на съединителното устройство (Фиг. I) и избутайте шпиндела на четката от четина, докато чуете ясен „щракващ“ (Фиг. J).

Фиг. I описание на части виж долу:

I-1	Бутон за освобождаване на шпиндела
I-2	Стрелка на съединителното устройство
I-3	Крилчатата гайка
I-4	Стрелка на шпиндела на приставката
I-5	Червена линия

Фиг. J описание на части виж долу:

J-1	Червена линия
-----	---------------

4. Издърпайте леко шпиндела на приставката четка от четина, за да се уверите, че е сигурно заключена в съединителя. Ако не е, завъртете шпиндела на четката от четина назад и напред в съединителя, докато се чуе звук „ЩРАК“ указващ, че е зацепен.
5. Затегнете сигурно крилчатата гайка.

⚠ ПРЕДУПРЕЖДЕНИЕ: Уверете се, че крилчатата гайка на съединителя е сигурно затегната, преди да работите с оборудването, проверявайте го за затягане периодически по време на употреба за да избегнете сериозно нараняване.

ИЗВАЖДАНЕ НА ПРИСТАВКАТА ОТ ЗАХРАНВАЩАТА ГЛАВА

1. Спрете мотора и извадете акумулаторната батерия.
2. Разхлабете крилчатата гайка.
3. С натиснат бутон за освобождаване на шпиндела издърпайте или усучете шпиндела на приставката четка от четина от съединителя, за да я извадите от захранващата глава

ЕКСПЛОАТАЦИЯ

⚠ ПРЕДУПРЕЖДЕНИЕ: Не позволявайте рутината с този продукт да ви направи непредпазливи. Запомнете, че невнимание за малка част от секундата е достатъчна за да нанесе сериозно нараняване.

⚠ ПРЕДУПРЕЖДЕНИЕ: Винаги носете защита за очите заедно със защита за слуха. Ако не го направите може да доведе до изхвърляне на предмети към очите ви и други възможни сериозни наранявания.

⚠ ПРЕДУПРЕЖДЕНИЕ: Не използвайте други

приставки или аксесоари, които не са препоръчани от производителя на този продукт. Употребата на приставки или аксесоари, които не са препоръчани, може да доведе до сериозно нараняване.

ПРИЛОЖЕНИЯ

Може да използвате този продукт за целите описани долу:

- Почистване на площи и пътеки, включително неравни или свързани повърхности.
- Почистване на паважи/бетонни/асфалтови пътища, пътеки и дворове.

▲ ПРЕДУПРЕЖДЕНИЕ: Облечете се правилно за да намалите риска от нараняване, когато работите с този инструмент. Не носете отпуснати дрехи или бижута. Носете защита за очите Носете тежки, дълги панталони, ботуши и ръкавици. Не носете къси панталони или сандали или не ходете бос.

Ако повърхността, която трябва да се почисти, е суха, напръскайте я с вода, за да намалите създавания прах.

Трябва да работите с четката от четина напред. Дръжте четката от четина с едната си ръка за задната ръкохватка и с другата ръка за предната спомагателна ръкохватка. Поддържайте здрав захват и с двете ръце, докато работите с четката от четина.

Дръжте и направлявайте четката от четина под малък ъгъл. Ако четката от четина се държи под твърде стръмен ъгъл, тя се стреми да се върне обратно към оператора.

Поддържайте вашия захват и баланса на двата крака (Фиг. К).

Изхвърлените материали могат сериозно да наранят оператор или човек наоколо. За да намалите риска от лично нараняване, изключително важно е да вземете следните предпазни мерки:

- Винаги дръжте четката от четина с двете си ръце, когато работите. Използвайте здрав захват на двете ръкохватки
- Придвигнете четката от четина до работната зона, преди да стартирате, и стартирайте четката от четина на ниска скорост.
- За да намалите риска от нараняване от загуба на контрол, дръжте и направлявайте четката от четина под малък ъгъл. Ако четката от четина се държи под твърде стръмен ъгъл, тя се стреми да се върне обратно към оператора.

Преди всяка употреба проверявайте за повредени/износени части

Проверете четковата ролка, предпазителя, предната спомагателна ръкохватка и задвижващата ос и подменете всички части, които са напукани, деформирани, изкривени или повредени по някакъв начин.

Почиствайте четката от четина след всяка употреба

Вижте раздел Поддръжка за инструкции за почистване.

ЗА ДА СТАРТИРАТЕ/СПРЕТЕ ИНСТРУМЕНТА

Вижте раздел "СТАРТИРАНЕ/СПИРАНЕ НА ЗАХРАНВАЩАТА ГЛАВА" в ръководството на оператора за захранваща глава RH1400E

ПОДДРЪЖКА

▲ ПРЕДУПРЕЖДЕНИЕ: Когато обслужвате, използвайте само идентични резервни части. Употребата на каквито и да е други части може да създаде опасност или да предизвика повреда на продукта. За да осигурите безопасността и надеждността, всички поправки трябва да се извършват от квалифициран сервизен техник.

▲ ПРЕДУПРЕЖДЕНИЕ: Инструментите с батерия не трябва да бъдат закачени към електрически контакт, поради това те винаги са в работно състояние. За да предотвратите сериозно нараняване вземете допълнителни предпазни мерки и грижи, когато извършвате поддръжка, обслужване или при смяна на режещите или други приставки.

▲ ПРЕДУПРЕЖДЕНИЕ: За да предотвратите сериозно нараняване на хора, отстранявайте акумулаторната батерия от захранващата глава и изчаквайте четковата ролка да спре преди обслужване, почистване смяна на приставки или когато продуктът не се използва.

ОБЩА ПОДДРЪЖКА

▲ ПРЕДУПРЕЖДЕНИЕ: Никога не позволявайте спирачна течност, бензин, петролни продукти, проникващи масла и т.н. да влизат в контакт с пластмасовите части. Химикалите могат да повредят, отслабят или разрушат пластмасата, което може да доведе до сериозно нараняване.

▲ ПРЕДУПРЕЖДЕНИЕ: Когато почиствате приставката четка от четина НЕ потапяйте във вода или други течности. Не почиствайте машината с водоструйка. Силната водна струя може да повреди частите на машината.

ПОДДРЪЖКА НА ЧЕТКОВАТА РОЛКА

- Почиствайте често четковата ролка.
- Ако някоя от четковите ролки трябва да бъде заменена поради износване, заменете и двете четкови ролки за най-добра ефективност.

Обслужване на четката от четина, освен на позициите изброени в инструкциите за поддръжка, трябва да бъде извършвано от квалифициран сервизен персонал.

ПОДМЯНА НА ЧЕТКОВИТЕ РОЛКИ

⚠ ПРЕДУПРЕЖДЕНИЕ: Една повредена четкова ролка може да се счупи на парчета след продължителна употреба и да причини опасни отхвъркващи отломки. Изхвърлените обекти могат да причинят сериозно нараняване. Редовно проверявайте и не работете с четка от четина с износени или повредени части.

За да извадите (Фиг. L)

1. Отстранете щифта за теглене от края на задвижващата ос.
2. Издърпайте четковата ролка, заедно с капака върху нея, от задвижващата ос.
3. Ако задвижващата ос е повредена, отстранете щифта за заключване от отвора на задвижващата ос и издърпайте задвижващата ос от задвижващия вал (Фиг. M).
4. Ако капакът е повреден, издърпайте го от четковата ролка и го заменете.
5. Следвайте същите стъпки, за да извадите другата четкова ролка.

Фиг. L описание на части виж долу:

L-1	Задвижващ вал	L-4	Щифт за теглене
L-2	Щифт за заключване	L-5	Капак
L-3	Четкова ролка	L-6	Задвижваща ос

За да монтирате

1. Инсталирайте задвижващата ос върху задвижващия вал и вкарайте щифта за заключване в отвора на задвижващата ос (виж Фиг. F).
2. Инсталирайте капака върху четковата ролка с реброто в капака подравнено с отвора на четковата ролка (Фиг. N).

Фиг. N описание на части виж по-долу:

N-1	Отвор
N-2	Ребро

3. Избутайте четковата ролка върху задвижващата ос (виж Фиг. G).
4. Вкарайте щифта за теглене в отвора в края на

задвижващата от и го прегънете плоско.

5. Следвайте същите стъпки, за да монтирате другата четкова ролка.

⚠ ПРЕДУПРЕЖДЕНИЕ: Винаги заменяйте двете четкови ролки едновременно.

ПОЧИСТВАНЕ НА УРЕДА

- Премахнете батерията
- Почистете частите от корени, прилепнала почва или растения от четковите ролки, предпазителя или редуктора. За цялостно почистване снемете четковите ролки и предпазителя, за да ги измиете изцяло. За детайлната последователност на поставянето вижте горния раздел „ПОДМЯНА НА ЧЕТКОВИТЕ РОЛКИ“.

- Дръжте вентилационните отвори свободни от запушване.

СЪХРАНЯВАНЕ НА УРЕДА

- Извадете акумулаторната батерия от инструмента.
- Почистете инструмента цялостно и инспектирайте четковите ролки.
- Отстранете приставката четка от четина от захранващата глава и покрийте шпиндела на приставката с крайната капачка, за да предотвратите проникването на замърсявания в съединителя.
- Съхранете инструмента на сухо място с добра вентилация, заключен или съхраняван на високо извън достъпа на деца. Не съхранявайте уреда в близост или върху тор, бензин или други химикали.

Опазване на околната среда



Не изхвърляйте електрическо оборудване, зарядно устройство за акумулаторни батерии и батерии/ акумулаторни батерии в домакинския отпадък. Съгласно европейския закон 2012/19/ЕС, електрическо и електронно оборудване, което повече не може да се използва и съгласно европейското законодателство 2006/66/ЕО, дефектните или използваните акумулаторни батерии/батерии трябва да се събират отделно. Ако се изхвърлят електрически уреди в сметища или буница, опасни вещества могат да изтекат в подпочвените води и да попаднат в хранителната верига, като увредят вашето здраве и благосъстояние.

ОТСТРАНЯВАНЕ НА НЕИЗПРАВНОСТИ

ПРОБЛЕМ	ПРИЧИНА	РЕШЕНИЕ
Четката от четина не може да стартира.	<ul style="list-style-type: none"> ■ Акумулаторната батерия не е правилно прикрепена към захранващата глава. ■ Няма електрически контакт между захранващата глава и батерията. ■ Акумулаторната батерия е изтощена. ■ Лостът за отключване и спусъкът на захранващата глава не са натиснати едновременно. ■ Все още няма стартиране извън горните причини. 	<ul style="list-style-type: none"> ■ Закрепете акумулаторната батерия към захранващата глава. ■ Извадете батерията, проверете контактите и монтирайте отново батерията, докато се фиксира на местото си. ■ Заредете акумулаторната батерия със зарядно устройство EGO посочено в това ръководство. ■ Натиснете и задръжте лоста за отключване и след това натиснете спусъка за включване. ■ Свържете се с обслужване на клиенти на EGO.
Четката от четина е очевидно повредена.	<ul style="list-style-type: none"> ■ Необичайна повреда по време на транспортиране или употреба. 	<ul style="list-style-type: none"> ■ Свържете се с обслужване на клиенти на EGO.
Четката от четина спира по време на изчеткване.	<ul style="list-style-type: none"> ■ Двигателят е претоварен. ■ Акумулаторната батерия или захранващата глава са твърде горещи. ■ Акумулаторната батерия е разединена от инструмента. ■ Акумулаторната батерия е изтощена. ■ Все още няма стартиране извън горните причини. 	<ul style="list-style-type: none"> ■ Моторът ще се възстанови, когато натоварването е отстранено. За продължителна работа намалете натоварването на четката от четина. ■ Позволете на акумулаторната батерия или на захранващата глава да се охлади, докато нейната температура спадне под 67°C. ■ Монтирайте отново акумулаторната батерия. ■ Заредете акумулаторната батерия със зарядно устройство EGO посочено в това ръководство. ■ Свържете се с обслужване на клиенти на EGO.

ГАРАНЦИЯ

BG

ГАРАНЦИОННА ПОЛИТИКА EGO

Моля, посетете уебсайта egopowerplus.com за пълните срокове и условия по гаранционната политика на EGO.

PROČITAJTE UPUTE U CIJELOSTI!



PROČITAJTE KORISNIČKI PRIRUČNIK

⚠️ Preostale opasnosti! Osobe s elektroničkim uređajima poput srčanih elektrostimulatora prije uporabe ovog proizvoda trebaju se posavjetovati sa svojim liječnikom. Rad električne opreme u neposrednoj blizini srčanih elektrostimulatora može prouzročiti smetnju ili kvar srčanog elektrostimulatora.

⚠️ UPOZORENJE: Zbog sigurnosti i pouzdanosti, sve popravke treba obavljati kvalificirani servisni tehničar.

SIGURNOSNI SIMBOL

Svrha sigurnosnih simbola je skretanje pozornosti na moguće opasnosti. Sigurnosni simboli i njihova objašnjenja zahtijevaju vašu potpunu pozornost i razumijevanje. Sami simboli upozorenja ne isključuju opasnost. Upute i upozorenja koja pružaju nisu zamjena za propisne mjere za prevenciju nesreća.

⚠️ UPOZORENJE! Prije uporabe ovog alata pobrinite se da sve upute u ovom korisničkom priručniku, uključujući sve sigurnosne simbole kao što su “**OPASNOST**”, “**UPOZORENJE**” i “**OPREZ**” pročitate s razumijevanjem. Zanemarivanje svih uputa navedenih u nastavku može rezultirati strujnim udarom, požarom i/ili teškim tjelesnim ozljedama.

ZNAČENJE SIMBOLA

⚠️ SIMBOL UPOZORENJA U VEZI SIGURNOSTI: Naznačuje **OPASNOST**, **UPOZORENJE** ili **OPREZ** i može se upotrebljavati povezan s drugim simbolima ili piktogramima.



⚠️ UPOZORENJE: Rukovanje električnim alatima može rezultirati odbacivanjem stranih predmeta u oči što opet može izazvati teška oštećenja očju. Prije početka rukovanja električnim alatom nosite zatvorene zaštitne naočale ili zaštitne naočale s bočnim štitnicima, a prema potrebi i štitnik za cijelo lice. Preporučujemo nošenje sigurnosne maske proizvođača Wide Vision preko naočala, ili nošenje standardnih zaštitnih naočala s bočnim štitnicima.

HR

SIGURNOSNE UPUTE

Na ovoj stranici slikovno su prikazani i objašnjeni sigurnosni simboli koji se mogu pojaviti na ovom proizvodu. Prije pokušaja sastavljanja i rukovanja s razumijevanjem pročitajte sve upute na stroju i pridržavajte ih se.

	Sigurnosno upozorenje	Ukazuje na potencijalnu opasnost od tjelesnih ozljeda.
	Pročitajte korisnički priručnik	Radi smanjenja opasnosti od ozljeda, prije uporabe ovog proizvoda korisnik treba s razumijevanjem pročitati ovaj korisnički priručnik.
	Nosite zaštitu za oči.	Kada rukujete ovim proizvodom, nosite zatvorene zaštitne naočale ili zaštitne naočale s bočnim štitnicima i štitnik za cijelo lice.
	Promatrače držite na udaljenosti	Držite promatrače na sigurnoj udaljenosti
	Nosite zaštitne rukavice	Kada rukujete noževima zaštitite ruke rukavicama. Neklizajuće rukavice za teške radne uvjete poboljšavaju zahvat i štite ruke.
	Nosite sigurnosnu obuću	Kada koristite ovu opremu nosite neklizajuću sigurnosnu obuću.
	Povratni udar	Odbačeni predmeti mogu odskočiti i rezultirati tjelesnim ozljedama ili materijalnom štetom.
	Ne izlažite kiši	Proizvod ne upotrebljavajte na kiši i ne ostavljajte ga na otvorenom kad pada kiša.
	CE	Ovaj proizvod je u skladu s važećim direktivama EU.
	OEE0	Otpadni električni proizvodi ne smiju se odlagati s otpadom iz kućanstva. Odnosite ih u ovlaštenu centar za reciklažu.
	Buka	Zajamčena razina zvučne snage. Emisija buke u okruženju u skladu je s direktivom Europske unije
V	Volt	Napon
mm	Milimetar	Duljina ili dimenzija
kg	Kilogram	Težina

OPĆA SIGURNOSNA UPOZORENJA ZA ELEKTRIČNI ALAT

⚠ UPOZORENJE! Pročitajte sva upozorenja, upute, ilustracije u vezi sigurnosti i tehničke podatke isporučene s ovim električnim alatom. Zanemarivanje svih uputa navedenih u nastavku može rezultirati električnim udarom, požarom i/ili teškim ozljedama.

Sačuvajte sva upozorenja i sve upute za buduće potrebe.

SIGURNOST RADNOG PODRUČJA

Radno područje održavajte čistim i dobro osvijetljenim. Pretrpana ili mračna područja izazivaju nesreće.

- Električnim alatom ne rukujte u eksplozivnim atmosferama, primjerice u prisutnosti zapaljivih tekućina, plinova ili prašine. Električni alat stvara iskre koje mogu zapaliti prašinu ili isparenja.
- Djecu i promatrače držite podalje tijekom rada s električnim alatom. Ometanja mogu rezultirati gubitkom kontrole nad alatom.

ELEKTRIČNA SIGURNOST

- Električni alat ne izlažite kiši ili mokrim uvjetima. Prodiranje vode u električni alat povećat će rizik od strujnog udara.

OSOBNA SIGURNOST

- Budite oprezni, gledajte što radite i upotrebljavajte uobičajeni osjećaj kad radite s električnim alatom. Električni alat ne upotrebljavajte kad ste umorni ili pod utjecajem droga, alkohola ili lijekova. Trenutak nepažnje tijekom rada s električnim alatima može rezultirati teškim osobnim ozljedama.
- Koristite odgovarajuću zaštitnu opremu. Osobna zaštitna oprema kao što je zaštita za oči, zaštitna maska od prašine, zaštitne cipele s potplatama protiv klizanja, zaštitna kaciga i/ili štitnici za sluh, koja se koristi za odgovarajuća stanja, umanjit će opasnost od ozljede.
- Sprječite nenamjerno pokretanje. Prije spajanja na izvor napajanja i/ili baterijski modul, uzimanja ili nošenja alata uvjerite se da se prekidač nalazi u položaju isključenosti. Nošenje električnih alata s prstom na sklopci ili napajanje električnih alata koji imaju uključenu sklopku izaziva nesreće.
- Prije uključivanja električnog alata uklonite sve ključeve za podešavanje ili ključeve. Ključ ili ključ za podešavanje ostavljen pričvršćen na rotacijski dio električnog alata može rezultirati tjelesnim ozljedama.

- Ne prekoračujte vrijednosti. Cijelo vrijeme održavajte propisno držanje i ravnotežu. To će omogućiti bolju kontrolu nad električnim alatom u neočekivanim situacijama.
- Oblačite se prikladno. Nemojte nositi široku odjeću i nakit. Kosu, odjeću i rukavice držite dalje od pokretnih dijelova. Široka odjeća, nakit ili duga kosa mogu se zahvatiti u pokretne dijelove.
- Ako su uređaji namijenjeni za spajanje sustava za izvlačenje i sakupljanje prašine, pobrinite se da se propisno spoje i upotrebljavaju. Uporabom uređaja za sakupljanje prašine mogu se smanjiti opasnosti koje se odnose na prašinu.
- Nemojte dopustiti da vas poznavanje alata stečeno čestom uporabom učini samodopadnim te da ignorirate sigurnosna načela za alat. Nemarne radnje mogu rezultirati teškim ozljedama u djeliću sekunde.

UPORABA I NJEGA ELEKTRIČNOG ALATA

- Ne preopterećujte električni alat. Upotrebljavajte ispravan električni alat za vašu primjenu. Ispravan električni alat bolje će i sigurnije obaviti zadatak brzinom za koju je konstruiran.
- Ne upotrebljavajte električni alat ako ga prekidač ne uključuje i isključuje. Svaki električni alat koji se ne može kontrolirati prekidačem opasan je i potrebno ga je popraviti.
- Ako se može odvojiti, izvadite baterijski modul iz električnog alata i/ili aktivirajte napravu za onemogućavanje baterije, ako postoji, prije početka čišćenja zaglavljene materijala, namještanja, zamjene dodatne opreme, čišćenja ili pohranjivanja električnih alata. Te preventivne mjere sigurnosti smanjuju opasnost od nehotičnog pokretanja električnog alata.
- Nekorišteni električni alat skladištite izvan dohvata djece i ne dopustite osobama koje ne poznaju električni alat ili ove upute da rade s električnim alatom. Električni alati opasni su u rukama neobučениh korisnika.
- Održavajte električne alate i dodatnu opremu. Provjerite jesu li pokretni dijelovi centrirani ili spojeni, ima li polomljenih dijelova i postoji li stanje koje može utjecati na rad električnog alata. Ako je oštećen, električni alat dajte na popravak prije uporabe. Mnoge nezgode su nastale upravo zbog slabog održavanja električnog alata i pribora.
- Rezne alate održavajte oštlima i čistima. Propisno održavani rezni alati s oštrim reznim rubovima vjerojatno se neće spajati i lakši su za upravljanje.

- **Električni alat, dodatnu opremu i alatne nastavke, itd., upotrebljavajte u skladu s ovim uputama, uzimajući u obzir radne uvjete i zadatak koji je potrebno obaviti.** Uporaba električnog alata za radove drukčija od namjenske može rezultirati opasnim situacijama.
- **Rukohvate i površinu rukohvata održavajte suhim, čistim i očišćenim od ulja i masti.** Skliski rukohvati i skliske površine rukohvata onemogućuju sigurno rukovanje i upravljanje alatom u neočekivanim situacijama.

UPORABA I NJEGA BATERIJSKOG ALATA

- **Punjenje obavljajte samo s punjačem kojeg je naveo proizvođač.** Punjač koji je prikladan za jedan tip baterijskog modula može stvoriti rizik od požara ako ga se upotrebljava s drugim baterijskim modulom.
- **Električni alat upotrebljavajte samo s izričito navedenim baterijskim modulima.** Uporaba drugih baterijskih modula može stvoriti rizik od ozljeda i požara.
- **Kad se baterijski modul ne upotrebljava, držite ga podalje od drugih metalnih predmeta poput spajalica za papir, kovanica, ključeva, čavala, vijaka ili drugih malih metalnih predmeta koji mogu međusobno spojiti kontakte.** Kratko spajanje baterijskih kontakata može prouzročiti opekline ili požar.
- **U slučaju pogrešne uporabe baterija može izbaciti tekućinu; izbjegavajte kontakt. Ako slučajno dođe do doticaja, mjesta doticaja isperite vodom. Ako tekućina dođe u doticaj s očima, dodatno potražite pomoć liječnika.** Tekućina koju izbaci baterija može prouzročiti nadražaj kože ili opekline.
- **Ne upotrebljavajte oštećen ili preinačen baterijski modul ili alat.** Oštećene ili preinačene baterije mogu pokazati nepredvidivo ponašanje koje može rezultirati požarom, eksplozijom ili opasnošću od ozljeda.
- **Baterijski modul i alat ne izlažite vatri ili previsokoj temperaturi.** Izlaganje vatri ili temperaturi višoj od 100 °C može prouzročiti eksploziju.
- **Pridržavajte se svih uputa za punjenje i baterijski modul ili alat nemojte puniti izvan okvira temperaturnog raspona navedenog u uputama.** Nepropisno punjenje ili punjenje pri temperaturama izvan okvira određenog raspona može oštetiti bateriju i povećati opasnost od požara.

OSTALA SIGURNOSNA UPOZORENJA

Obuka

- Pažljivo pročitajte upute. Upoznajte se s upravljačkim elementima i propisnom uporabom stroja.

- Nemojte dopustiti da osobe koje nisu upoznate s ovim uputama ili djeca koriste stroj. Lokalni propisi mogu ograničavati starosnu dob rukovatelja.
- Nemojte raditi ako se u blizini nalaze drugi ljudi, osobito djeca ili domaće životinje.
- Imajte na umu da je rukovatelj ili korisnik odgovoran za nesreće ili opasnosti za druge osobe ili njihovu imovinu.

Priprema

- Nosite čvrstu obuću i dugačke hlače za vrijeme rada. Nemojte koristiti uređaj bosonogi ili s otvorenim sandalama.
- Temeljito pregledajte područje u kojem ćete koristiti opremu o uklonite sve predmete koje stroj može odbaciti.
- Prije korištenja vizualno pregledajte jesu li alati istrošeni ili oštećeni. Zamijenite istrošene elemente i vijke u kompletima kako biste održali ravnotežu.

Upotreba

- Nemojte upotrebljavati motor u zatvorenom prostoru gdje se mogu nakupljati opasne pare ugljičnog monoksida.
- Radite samo pri dnevnom svjetlu ili pri dobrom umjetnom osvjetljenju.
- Osigurajte dobro uporište na kosinama.
- Hodajte, nemojte trčati sa strojem.
- Koristite li okretne strojeve s kotačima, radite poprijeko nizbrdica, nikako ne gore-dolje.
- S velikim oprezom mijenjajte smjer na nizbrdicama.
- Nemojte raditi na iznimno strmim nizbrdicama.
- Budite vrlo oprezni pri vožnji unatrag ili povlačenju stroja prema sebi.
- Ne mijenjajte postavke regulatora motora i motor ne pogonite pri prevelikom broju okretaja.
- Pažljivo pokrenite motor u skladu s uputama proizvođača i sa stopalima dovoljno odmaknutim od alata.
- Ne postavljajte ruke ili stopala blizini ili ispod rotirajućih dijelova.
- Nemojte dizati ili prenositi stroj dok je motor pokrenut.

UPOTREBA NA KOSINI:

Kosine su glavni čimbenik uz kojega su vezane nezgode uslijed proklizavanja ili padova koji mogu dovesti do teških ozljeda. Osigurajte dobro uporište na kosinama. Pri radu na kosinama potreban je pojačan oprez. Ako se na kosini osjećate nesigurno, nemojte koristiti stroj.

- Pazite na rupe, brazde, kamenje, skrivene predmete i neravnine, zbog kojih možete proklizati ili se spotaknuti. Visoka trava može skrivati prepreke.

SERVISIRANJE

- **Servisiranje električnog alata prepustite kvalificiranom osoblju za popravak koje upotrebljava samo identične zamjenske dijelove.** Time će se osigurati održavanje sigurnosti električnog alata.
- **Ne servisirajte oštećene baterijske module.** Servisiranje baterijskih modula smiju obavljati samo proizvođač ili ovlašteni serviseri.

⚠ UPOZORENJE: Pročitajte sva upozorenja, upute, ilustracije u vezi sigurnosti i tehničke podatke isporučene s ovim električnim alatom. Zanemarivanje svih uputa navedenih u nastavku može rezultirati električnim udarom, požarom i/ili teškim ozljedama. Sačuvajte sva upozorenja i sve upute za buduće potrebe.

- Upotrebljavajte samo s baterijskim modulima i punjačima koji su navedeni na sl. A.

SAČUVAJTE OVE UPUTE

TEHNIČKI PODACI

Promjer bubnja četke	250 mm	
ČIŠĆENJE	560 mm	
Preporučena radna temperatura	-15 °C - 40 °C	
Preporučena temperatura skladištenja	-20 °C - 70 °C	
Težina (uključujući štitnik)	5,05 kg	
Izmjerena razina zvučne snage L_{WA}	91,4 dB(A) K=2,02 dB(A)	
Razina zvučnog tlaka kod uha rukovatelja L_{PA}	82,8 dB(A) K=2,5 dB(A)	
Zajamčena razina zvučne snage L_{WA} (izmjereno sukladno Direktivi 2000/14/EZ)	93 dB(A)	
Procjena vibracija a_h	Prednji pomoćni rukohvat	0,46 m/s ² K=1,5 m/s ²
	Stražnja drška	1,43 m/s ² K=1,5 m/s ²

- Navedeni parametri ispitani su i izmjereni za stroj opremljen pogonskom glavom PH1400E.
- Deklarirane ukupne vrijednosti vibracija izmjerene su u skladu sa standardnom metodom ispitivanja i mogu se koristiti za usporedbu jednog alata s drugim.

- Deklarirane ukupne vrijednosti vibracija mogu se koristiti i u preliminarnoj procjeni izloženosti.

NAPOMENA! Emisija vibracija tijekom aktualnog korištenja električnog alata može se razlikovati od deklarirane vrijednosti u kojoj se alat upotrebljavao; Radi zaštite rukovatelja korisnik treba nositi rukavice i štitnike za uši u aktualnim uvjetima uporabe.

SADRŽAJ PAKIRANJA

NAZIV DIJELA	KOLIČINA
Priključak s četkom s čekinjama	1
Valjak s četkom	2
Pogonska osovina	2
Štitnik (s vijkom)	1
Imbus ključ	1
Zatik s kukom	2
Zatik za fiksiranje	2
Korisnički priručnik	1

OPIS

UPOZNAJTE PRIKLJUČAK S ČETKOM S ČEKINJAMA (sl. A)

1. Krajnja kapica
2. Osovina priključka s četkom s čekinjama
3. Štitnik
4. Valjak s četkom
5. Reduktor
6. Zatik s kukom
7. Imbus ključ

SASTAVLJANJE

⚠ UPOZORENJE: Ako je bilo koji dio oštećen ili nedostaje, nemojte koristiti proizvod dok se ne zamijene dijelovi. Korištenje proizvoda na kojemu nedostaju dijelovi ili su oštećeni može dovesti do ozbiljne tjelesne ozljede.

⚠ UPOZORENJE: Ne pokušavajte obavljati preinake na ovom proizvodu ili raditi pribor koji nije preporučen za uporabu s ovim strojem. Sve takve izmjene ili preinake predstavljaju nepropisnu uporabu i mogu rezultirati opasnim stanjima koja mogu dovesti do mogućih teških tjelesnih ozljeda.

⚠ UPOZORENJE: Da biste spriječili slučajno pokretanje koje bi moglo prouzročiti ozbiljne tjelesne ozljede, prilikom montaže dijelova iskopčajite utikač iz utičnice.

⚠ UPOZORENJE: Ne spajajte četku s čekinjama na pogonsku glavu dok sklop ne bude potpun. Ako nećete postupati sukladno navedenom, može doći do iznenadnog pokretanja i mogućih teških tjelesnih ozljeda.

POSTAVLJANJE ŠTITNIKA

⚠ UPOZORENJE: Montirajte štitić prije spajanja priključka s četkom sa čekinjama na pogonsku glavu.

- Otpustite i uklonite vijak sa štitića koristeći isporučeni imbus ključ (sl. B).
- Podignite osovinu priključka s četkom sa čekinjama i uklonite krajnju kapicu s osovine.
- S utorom u štitiću poravnajte s izbočenjem na kraju osovine, provlačite štitić kroz osovinu dok se ne poravnaju rupe u vijku na štitiću i osovinu (sl. C i D).
Opis dijelova na sl. C i D pogledajte u nastavku:

C-1	Utor
C-2	Izbočenje
D-1	Vijak

- Koristeći isporučeni imbus ključ stegnite vijak u smjeru kazaljke na satu kako biste pričvrstili štitić.

MONTIRANJE VALJAKA S ČETKOM

- Gurnite pogonsku osovinu na pogonjeno vratilo (sl. E).
Opis dijelova na sl. E pogledajte u nastavku:

E-1	Pogonjeno vratilo
E-2	Pogonska osovinu

- Kako biste učvrstili pogonsku osovinu na pogonjeno vratilo, umetnite zatik za blokadu u otvor za blokadu.

OBAVIJEST: Zatik za blokadu mora se postaviti na mjesto (sl. F).

Opis dijelova na sl. F pogledajte u nastavku:

F-1	Zatik za fiksiranje
F-2	Rupa za blokiranje

- Slijedite iste upute za montiranje druge pogonske osovine.
- Gurnite valjak s četkom na pogonsku osovinu (sl. G).
Opis dijelova na sl. G pogledajte u nastavku:

G-1	Valjak s četkom
G-2	Pogonska osovinu

- Umetnite zatik s kukom u rupu na kraju kako biste pričvrstili valjak s četkom za pogonsku osovinu (sl. H).
Opis dijelova na sl. H pogledajte u nastavku:

H-1	Zatik s kukom
-----	---------------

- Slijedite iste upute za montiranje drugog valjka s četkom.

PRIKLJUČIVANJE PRIKLJUČKA S ČETKOM S ČEKINJAMA NA POGONSKU JEDINICU

⚠ UPOZORENJE: Priključak ne pričvršćujte ili ne podešavajte dok pogonska jedinica radi ili kada je baterija postavljena. Zanemarivanje zaustavljanja motora i uklanjanja baterije može rezultirati teškim tjelesnim ozljedama.

Ovaj priključak s četkom s čekinjama predviđen je za upotrebu s pogonskom jedinicom PH1400E proizvođača EGO.

- Zaustavite motor i izvadite baterijski modul
- Otpustite krilnu maticu na spojnici pogonske jedinice.
- Ako je krajnja kapica postavljena na vratilo priključka, uklonite je i spremite na sigurno mjesto za kasniju upotrebu.

Poravnajte strelicu na vratilu četke s čekinjama sa strelicom na spojnici (sl. I) i gurajte vratilo četke s čekinjama u spojnicu dok ne čujete da je sjelo na mjesto (sl. J).

Opis dijelova na sl. I pogledajte u nastavku:

I-1	Gumb za oslobađanje vratila
I-2	Strelica na spojnici
I-3	Krilna matica
I-4	Strelica na vratilu priključka
I-5	Crvena crta

Opis dijelova na sl. J pogledajte u nastavku:

J-1	Crvena crta
-----	-------------

- Lagano povucite vratilo priključka s četkom s čekinjama kako biste provjerili da je pričvršćeno u spojnicu. Ako nije, pomikite vratilo četke s čekinjama naprijed i natrag u spojnicu dok ne čujete da je sjelo na mjesto.
- Stegnite krilnu maticu.

⚠ UPOZORENJE: Pobrinite se da je krilna matica na spojnici do kraja stegnuta prije korištenja opreme; povremeno provjeravajte stegnutost tijekom upotrebe kako biste izbjegli teške tjelesne ozljede.

UKLANJANJE PRIKLJUČKA S POGONSKE JEDINICE

1. Zaustavite motor i izvadite baterijski modul.
2. Otpustite krilnu maticu.
3. S pritisnutim gumbom za otpuštanje vratila, povucite ili zakrenite vratilo priključka s četkom sa čekinjama iz spojnice kako biste ga izvadili iz pogonske jedinice.

RAD

⚠ UPOZORENJE: Nemojte biti nepažljivi jer ste upoznati s načinom rada proizvoda. Zapamtite da je samo jedan djelić sekunde nepažnje dovoljan za nastanak ozbiljne ozljede.

⚠ UPOZORENJE: Uvijek nosite zaštitu za oči i sluh. Nepostupanje u skladu s tim može rezultirati odbacivanjem predmeta u oči i drugim mogućim teškim ozljedama.

⚠ UPOZORENJE: Nemojte koristiti nikakve priključke ili pribor koje nije preporučio proizvođač ovog proizvoda. Uporaba priključaka ili pribora koji nije preporučan može dovesti do ozbiljnih tjelesnih ozljeda.

PRIMJENE

Ovaj proizvod možete koristiti za svrhe navedene u nastavku:

- Čišćenje površina i putova, uključujući neravne i spojene površine.
- Čišćenje kolnika/betona/asfalta/prilaza za vozila, nogostupa i dvorišta.

⚠ UPOZORENJE: Obucite se propisno kako biste smanjili rizik od ozljeda tijekom rukovanja alatom. Ne nosite široku odjeću ili nakit. Nosite zaštitu za oči. Nosite jake duge hlače, čizme i rukavice. Nemojte nositi kratke hlače ili sandale ili biti bosonogi.

Ako je površina koju ćete čistiti suha, poprskajte je vodom kako biste smanjili količinu prašine koja će se stvarati.

Radite s četkom sa čekinjama okrenutom naprijed. Držite četku sa čekinjama jednom rukom na stražnjem rukohvatu, a drugom rukom na prednjem pomoćnom rukohvatu. Tijekom rukovanja četkom sa čekinjama, rukohvate čvrsto držite objema rukama.

Držite i navodite četku sa čekinjama pod plitkim kutom. Ako četku sa čekinjama držite pod preoštrim kutom, mogla bi se vratiti prema vama, rukovatelju.

Održavajte zahvat i ravnotežu na oba stopala (sl. K).

Odbačeni materijali mogu teško ozlijediti rukovatelja ili promatrača. Radi smanjenja opasnosti od ozljeda važno je poduzeti sljedeće mjere opreza:

- Držite četku sa čekinjama objema rukama za vrijeme upotrebe. Čvrsto držite oba rukohvata.
- Pomaknite četku sa čekinjama u radno područje prije pokretanja pa pokrenite četku sa čekinjama na nižoj brzini.
- Kako biste smanjili opasnost od ozljeda zbog gubitka kontrole, držite i navodite četku sa čekinjama pod plitkim kutom. Ako četku sa čekinjama držite pod preoštrim kutom, mogla bi se vratiti prema vama, rukovatelju.

Prije svake uporabe provjerite oštećene/istrošene dijelove.

Provjerite valjak s četkom, štitnik, prednji pomoćni rukohvat i pogonsku osovinu pa zamijenite dijelove koji su napukli, deformirani, svinuti ili oštećeni na bilo koji način.

Očistite četku sa čekinjama nakon svake upotrebe

Za upute o čišćenju pogledajte poglavlje o održavanju.

POKRETANJE/ZAUSTAVLJANJE ALATA

Pogledajte odjeljak „POKRETANJE/ZAUSTAVLJANJE POGONSKE JEDINICE“ u korisničkom priručniku za pogonsku jedinicu PH1400E

ODRŽAVANJE

⚠ UPOZORENJE: Pri servisiranju koristite samo identične zamjenske dijelove. Korištenje drugih dijelova može izazvati opasnost ili prouzročiti oštećenje proizvoda. Radi sigurnosti i pouzdanosti sve popravke treba obavljati kvalificirani servisni tehničar.

⚠ UPOZORENJE: Baterijske alate nije potrebno uključivati u električnu utičnicu, stoga su u radnom stanju. Da biste spriječili ozbiljne tjelesne ozljede, poduzmite dodatne mjere opreza i brige prilikom održavanja, servisiranja ili mijenjanja priključaka za rezanje ili drugih priključaka.

⚠ UPOZORENJE: U svrhu sprečavanja teških tjelesnih ozljeda, prije servisiranja, čišćenja, zamjene priključaka ili kada se uređaj ne koristi, izvadite baterijski modul iz pogonske jedinice.

OPĆE ODRŽAVANJE

⚠ UPOZORENJE: Nemojte dopustiti da kočione tekućine, benzin, proizvodi na bazi nafte, penetrirajuća ulja i sl., dođu u doticaj s plastičnim dijelovima. Kemikalije mogu oštetiti, oslabiti ili uništiti plastiku što može rezultirati ozbiljnim tjelesnim ozljedama.

⚠ UPOZORENJE: Kada čistite priključak s četkom sa čekinjama, NEMOJTE ga uranjati u vodu ili druge tekućine. Nemojte čistiti stroj tlačnim peraćem. Čvrsti mlaz vode može oštetiti dijelove stroja.

ODRŽAVANJE VALJKA S ČETKOM

- Redovito čistite valjak s četkom.
- Ako je neki valjak s četkom potrebno zamijeniti zbog oštećenja, zamijenite oba valjka s četkom kako bi radna svojstva ostala vrhunska.

Sve servisne postupke na četki sa čekinjama treba prepustiti osoblju ovlaštenog servisa, osim postupaka za stavke navedene u ovim uputama za održavanje.

ZAMJENA VALJAKA S ČETKOM

⚠ UPOZORENJE: Oštećeni valjak s četkom može se slomiti na dijelove nakon dugotrajne upotrebe, pri čemu nastaju opasni leteći predmeti. Odbačeni predmeti mogu prouzročiti teške ozljede. Redovito pregledavajte četku sa čekinjama i nemojte je koristiti ako su njeni dijelovi istrošeni ili oštećeni.

Uklanjanje (sl. L)

1. Uklonite zatik s kukom s kraja pogonske osovine.
2. Povucite valjak s četkom s pogonske osovine, zajedno s njegovom pokrovnom pločom.
3. Ako je pogonska osovina oštećena, uklonite zatik za blokadu iz rupe na pogonskog osovini i povucite pogonsku osovину s pogonjenog vratila (sl. M).
4. Ako je pokrovnna ploča oštećena, povucite je s valjka s četkom i zamijenite je.
5. Slijedite iste upute za uklanjanje drugog valjka s četkom.

Opis dijelova na sl. L pogledajte u nastavku:

L-1	Pogonjeno vratilo	L-4	Zatik s kukom
L-2	Zatik za fiksiranje	L-5	Pokrovnna ploča
L-3	Valjak s četkom	L-6	Pogonska osovina

Ugradnja

1. Ugradite pogonsku osovину na pogonjeno vratilo i umetnite zatik za blokadu u rupu na pogonskoj osovini (pogledajte sl. F).
2. Ugradite pokrovnnu ploču na valjak s četkom tako da je izbočina na pokrovnoj ploči poravnata s rupom na valjku s četkom (sl. N).

Opis dijelova na sl. N pogledajte u nastavku:

N-1	Rupa
N-2	Izbočenje

3. Gurnite valjak s četkom na pogonsku osovину (pogledajte sl. G).
4. Umetnite zatik s kukom u rupu na kraju pogonske osovine i sklopite ga.
5. Slijedite iste upute za montiranje drugog valjka s četkom.

⚠ UPOZORENJE: Zamijenite oba valjka s četkom istovremeno.

ČIŠĆENJE JEDINICE

- Uklonite bateriju.
- S valjka s četkom, štitnika i reduktora očistite komadiće korijena, nakupine tla i biljke. Za detaljno čišćenje potrebno je ukloniti valjke s četkom i štitnik te ih temeljito oprati. Detaljne upute za zamjenu pronaći ćete u gornjem odjeljku „ZAMJENA VALJAKA S ČETKOM“.
- Ventilacijske otvore držite slobodnim od zapreka.

SKLADIŠTENJE UREDAJA

- Izvadite baterijski modul iz alata.
- Detaljno očistite alat i pregledajte valjke s četkom.
- Uklonite priključak s četkom sa čekinjama s pogonske jedinice i postavite krajnju kapicu na završetak vratila priključka kako prljavština ne bi ulazila u spojnicu.
- Alat skladištite na suhom, dobro prozračivanom mjestu koje je moguće zaključati ili koje je na visini izvan dohvata djece. Jedinicu nemojte skladištiti na gnojivima, benzinu ili drugim kemikalijama ili u njihovoj blizini.

Zaštita okoliša



Električnu opremu, punjač baterije i baterije/akumulatorske baterije ne odlažite u otpad iz kućanstva! Prema Europskoj direktivi 2012/19/EU o električnoj i elektroničkoj opremi koja se više ne može koristiti i prema Europskoj direktivi 2006/66/EZ, neispravni ili iskorišteni baterijski moduli/baterije moraju se sakupljati zasebno. Ako se električni uređaji odlažu na odlagališta otpada ili deponije, opasne tvari mogu iscurjeti u podzemne vode i dospjeti u lanac ishrane, nanoseći tako štetu vašem zdravlju i blagostanju.

OTKLANJANJE POGREŠKI

PROBLEM	UZROK	RJEŠENJE
Četka sa čekinjama se ne pokreće.	<ul style="list-style-type: none"> ■ Baterijski modul nije pravilno postavljen na pogonsku jedinicu. ■ Nema električnog kontakta između pogonske jedinice i baterijskog modula. ■ Baterijski modul je ispražnjen. ■ Ručica za deblokadu i okidač pogonske jedinice ne pritišću se istodobno. ■ I dalje se ne pokreće, povrh navedenih razloga. 	<ul style="list-style-type: none"> ■ Pričvrstite baterijski modul na pogonsku jedinicu. ■ Uklonite bateriju, provjerite kontakte i ponovo postavite baterijski modul tako da sjedne na mjesto. ■ Napunite baterijski modul punjačem proizvođača EGO koji su navedeni u ovom priručniku. ■ Pritisnite ručicu za blokadu i držite je pritisnutom, a zatim pritisnite okidač kako biste uključili alat. ■ Obratite se službi za korisnike tvrtke EGO.
Četka sa čekinjama očigledno je oštećena.	<ul style="list-style-type: none"> ■ Nenormalno oštećenje tijekom transporta ili upotrebe. 	<ul style="list-style-type: none"> ■ Obratite se službi za korisnike tvrtke EGO.
Četka sa čekinjama zaustavlja se tijekom rada.	<ul style="list-style-type: none"> ■ Motor je preopterećen. ■ Baterijski modul ili pogonska jedinica je previše vruć/a. ■ Baterijski modul odspojen je od alata. ■ Baterijski modul je ispražnjen. ■ I dalje se ne pokreće, povrh navedenih razloga. 	<ul style="list-style-type: none"> ■ Motor će se povratiti po uklanjanju opterećenja. Za kontinuirani rad smanjite opterećenje na četku sa čekinjama. ■ Pričekajte da se baterijski modul ohladi na temperaturu ispod 67 °C. ■ Ponovno umetnite baterijski modul. ■ Napunite baterijski modul punjačem proizvođača EGO koji su navedeni u ovom priručniku. ■ Obratite se službi za korisnike tvrtke EGO.

JAMSTVO

JAMSTVENA POLITIKA PROIZVOĐAČA EGO

Za cjelokupne uvjete jamstvene politike proizvođača EGO posjetite internetsku stranicu egopowerplus.com.

სრულად გაეცანით ინსტრუქციას!



გაეცანით მომხმარებლის ინსტრუქციას

⚠ არსებული რისკი! პიროვნებებმა ისეთი ელექტრული მოწყობილობებით, როგორიცაა იმპლანტირებული დეფიბრილატორი, უნდა მიმართონ პირად ექიმს რჩევისთვის ამ პროდუქტის გამოყენებამდე. იმპლანტირებულ დეფიბრილატორთან უშუალო სიახლოვეს ელექტრული მოწყობილობის ოპერირებამ შესაძლოა დეფიბრილატორს ხელი შეუშალოს მუშაობაში ან გათიშოს იგი.

⚠ გაფრთხილება: ხელსაწყოს უსაფრთხოდ და გამართულად მუშაობისთვის საჭიროა მისი ყველა შეკეთება და ნაწილის შეცვლა შესრულდეს კვალიფიციური სერვისის ტექნიკოსის მიერ.

უსაფრთხოების წესის სიმბოლოები

უსაფრთხოების წესის სიმბოლოების მიზანია მიაქციოთ ყურადღება შესაძლო საფრთხეებს. ყურადღებით გაეცანით და შეისწავლეთ უსაფრთხოების წესის სიმბოლოები და მათი შესაბამისი განმარტებები. უსაფრთხოების წესის სიმბოლოების მინიშნებები თავისთავად არ ანიტრალებს რაიმე საფრთხის არსებობის რისკს. მათ მიერ მოწოდებული ინსტრუქციები და გაფრთხილებები არ არიან შემთხვევის თავიდან აცილების სწორი პროცედურის შემცველები.

⚠ გაფრთხილება: ხელსაწყოს გამოყენებამდე დაწვრილებით გაეცანით და შეისწავლეთ ყველა უსაფრთხოების წესი მომხმარებლის ამ ინსტრუქციაში, მათ შორის ყველა უსაფრთხოების წესის სიმბოლო როგორცაა „სამიშროება“, „გაფრთხილება“ და „ყურადღება“. ქვემოთ ჩამოთვლილი ყველა ინსტრუქციის უგულვებელყოფამ შესაძლოა გამოიწვიოს ელექტრული შოკი, ხანძარი და/ან მოგაყენოთ სერიოზული პირადი ზიანი.

სიმბოლოების მნიშვნელობა

⚠ უსაფრთხოების შეტყობინების სიმბოლო: აღნიშნავს - „სამიშროება“, „გაფრთხილება“ ან „ყურადღება“. შესაძლოა გამოყენებულ იქნას სხვა სიმბოლოებთან ან პიკტოგრამებთან ერთად.



⚠ გაფრთხილება:

ელექტრული ხელსაწყოს გამოყენებისას შესაძლოა უცხო სხეულის თვალების მიდამოში მოხვედრა, რამაც შესაძლოა გამოიწვიოს თვალის მნიშვნელოვანი დაზიანება. ელექტრული ხელსაწყოს გამოყენებამდე აუცილებლად მიირგეთ უსაფრთხოების თვალსაფარი ან სათვალე მყარი თვალის დამცავებით და მთლიანი სახის ეკრანით. ჩვენ რეკომენდაციას ვუწვევთ ფართო ხედვის არის მქონე უსაფრთხოების ნიღაბს სათვალეებთან ერთად ან სტანდარტულ გვერდითა ეკრანების მქონე უსაფრთხოების სათვალეებს.

უსაფრთხოების წესის ინსტრუქცია

ეს გვერდი აჩვენებს და აღწერს იმ უსაფრთხოების წესის სიმბოლოებს, რომლებიც შესაძლოა აღბეჭდილია მოცემულ პროდუქტზე. წაიკითხეთ, შეისწავლეთ და მიყევით ხელსაწყოს ყველა ინსტრუქციას მის აწყობამდე და ჩართვამდე.

	უსაფრთხოების ნიშანი	აღნიშნავს შესაძლო პირადი ზიანის საფრთხეს.
	გაეცანით მომხმარებლის ინსტრუქციას	დაზიანების რისკის შესამცირებლად მომხმარებელმა უნდა წაიკითხოს და გაეცნოს ხელსაწყოს მუშაობის ინსტრუქციას მის გამოყენებამდე.
	გაიკეთეთ თვალის დამცავი	ყოველთვის მიირგეთ უსაფრთხოების თვალსაფარი ან გვერდითა ეკრანების მქონე უსაფრთხოების სათვალე და მთლიანი სახის ეკრანი ხელსაწყოთი სარგებლობისას.

KA

	მოა-რი დე-თ ს-ხვა ად-ამი ანე-ბი	მოარიდეთ სხვა ადამიანები უსაფრთხო მანძილზე
	ჩაიცვით დამცავი ხელთათმანები	დაიცავით თქვენი ხელები ხელთათმანებით, როდესაც ეხებით დანებს. მოცურების საწინააღმდეგო, დამცავი ხელთათმანები აუშვებთ ხელის მოჭიდებას და იცავენ თქვენს ხელებს.
	ჩაიცვით უსაფრთხოების დამცავი ფეხსაცმელი	ჩაიცვით მოცურების საწინააღმდეგო ფეხსაცმელი ხელსაწყო გამოყენებისას.
	რიკოშეტი	შესაძლოა გამოტყორცნილი სხეულების რიკოშეტირება და ამით პირადი ან ქონებრივი ზიანის მიყენება.
	არ მოათავსოთ ხელსაწყო წვიმის ქვეშ	არ გამოიყენოთ წვიმაში ან დატოვოთ გარეთ წვიმის დროს.
	CE	ხელსაწყო შეესაბამება ევროკავშირის მიერ წამოყენებულ რეგულაციებს.
	WEEE	ელექტრული ხელსაწყოების უტილიზაცია არ უნდა მოხდეს საყოფაცხოვრებო ნარჩენებთან ერთად. წაიღეთ ხელსაწყო ავტორიზებულ ნარჩენების გადამამუშავებელთან.

	ხმაური	გარანტირებული ხმის სიმძლავრის დონე. გარემოში ხმაურის გავრცელების დონე ევროკავშირის რეგულაციების შესატყვისია.
V	ვოლტი	ძაბვა
mm	მილიმეტრი	სიგრძე ან ზომა
kg	კილოგრამი	წონა

ელექტრული ხელსაწყოების უსაფრთხოების ზოგადი მაჩვენებლები

⚠ გაფრთხილება! გაეცანით ამ ელექტრულ ხელსაწყოებთან დაკავშირებულ ყველა უსაფრთხოების მითითებას, ინსტრუქციას, ილუსტრაციას და სპეციფიკაციას. ქვემოთ ჩამოთვლილი ყველა ინსტრუქციის უგულებელყოფამ შესაძლოა გამოიწვიოს ელექტრული შოკი, ხანძარი და/ან მოგაყენოთ სერიოზული ზიანი.

შეინახეთ ყველა მითითება და ინსტრუქცია სამომავლოდ გამოყენებისთვის.

სამუშაო არის უსაფრთხოება

- დაიცავით სამუშაო არის სისუფთავე და იკონიეთ კარგი განათება. ჩახერგილი ან ბნელი სამუშაო არე იწვევს ინციდენტებს.
- არ ამუშაოთ ელექტრული ხელსაწყო ჰაერში ფეთქებადი საშუალებების არსებობისას, როგორცაა აალებადი სითხეები, აირები ან მტვერი. ელექტრული ხელსაწყოები წარმოქმნიან ნაპერწკალს, რომელმაც შესაძლოა აანთოს მტვერი ან აირი.
- ელექტრული ხელსაწყოთი სარგებლობისას მოარიდეთ მას ბავშვები და სხვა პირები. ყურადღების გაფანტვას შეუძლია გამოიწვიოს ხელსაწყოზე კონტროლის დაკარგვა.

ელექტრული უსაფრთხოება

- არ დატოვოთ ელექტრული ხელსაწყოები წვიმაში ან სველ ადგილას. ელექტრულ ხელსაწყოში შესული წყალი ზრდის ელექტრული შოკის მიღების რისკს.

KA

პირადი უსაფრთხოება

- ხელსაწყოთა გამოყენებისას იყავით ფხიზლად, იმოქმედეთ დაკვირვებით და საღი აზრის გათვალისწინებით. არ გამოიყენოთ ხელსაწყო როდესაც ხარტ დადლილი, ან ალკოჰოლის, მედიკამენტების ან ნარკოტიკების ზემოქმედების ქვეშ. ხელსაწყოთი სარგებლობისას მყისიერმა უყურადღებობამ შეიძლება მოგაყენოთ სერიოზული პირადი ზიანი.
- ყოველთვის გამოიყენეთ პირადი დამცავი საშუალებები. შესაბამისი საშუალო პირობებში პირადი დამცავი საშუალებების გამოყენება, როგორცაა თვალის დამცავი, მტერის საწინააღმდეგო ნიღბი, მოცურების საწინააღმდეგო სპეც ფეხსაცმელი, მყარი ჩაფხუტი ან სმენის დამცავი, ამცირებს საშუალო ტრამეებს.
- უცაბედი ჩართვის აღკვეთა. დარწმუნდით რომ ჩამრთველი არის გამორთულ პოზიციაში ხელსაწყოთა დენში და/ან აკუმულატორთან მიერთებამდე, ხელსაწყოთა მალა აწევათ ან ტარებამდე. ელექტრული ხელსაწყოების ტარება ჩამრთველის დილაკაზზე დადებული თითით ან ხელსაწყოთა დენში მიერთება, რომელსაც გააქტიურებული აქვს ჩართვის დილაკი, იწვევს ინციდენტებს.
- მოხსენით ნებისმიერი დამაგრებული მარგულირებული ხელსაწყო ან კანჩის გასაღები ჩართვამდე. ელექტრული ხელსაწყოთა მბრუნავ ნაწილებს დამაგრებულმა კანჩის გასაღებმა ან სხვა მარგულირებულმა შესაძლოა მოგაყენოთ პირადი ზიანი.
- არ გადაიხაროთ. ყოველთვის დაიცავით ზალანსი და მყარად იდგეთ ფეხზე. ეს გაძლევთ საშუალებას მოახდინოთ ხელსაწყოთა უკეთესი კონტროლი მოულოდნელ სიტუაციებში.
- ჩაიცვით შესაბამისად. არ ჩაიცვათ განიერი, ფრილა ტანსაცმელი და ძვირფასეულობა. მრავალთ თქვენი თმა, ტანსაცმელი და ხელთათმანები მოძრავ ნაწილებს. განიერი, ფრილა ტანსაცმელი, ძვირფასეულობა და თმა შესაძლოა ჩაითიროს მოძრავმა ნაწილებმა.
- თუ არსებობს მტერის ან ნარჩენების შემგროვებელი საშუალებების შეერთების ადგილები, დარწმუნდით რომ ისინი სწორადაა დაკავშირებული და გამოყენებული. მტერისთვის განკუთვნილი საშუალებების გამოყენებამ შესაძლოა შეამციროს მასთან დაკავშირებული საფრთხეები.

- შეეცადეთ მსგავს ხელსაწყოებთან ხშირი მუშაობის გამოცდილებამ არ გამოიწვიოს თქვენი უზრუნველობა და არ გაუკეთოთ ხელსაწყოთა უსაფრთხოების პრინციპებს იგნორირება. უგულისყურო საექციელმა წამის მეთოდშიც კი შესაძლოა მოგიტანოთ სერიოზული ზიანი.

ელექტრული ხელსაწყოთა გამოყენება და მოვლა

- არ დაატანოთ ძალა ხელსაწყოთა. გამოიყენეთ სწორი ხელსაწყო თქვენი მიზნებისთვის. სწორი ხელსაწყო უკეთ და უფრო უსაფრთხოდ გააკეთებს იმ საქმეს, რომლისთვისაც განკუთვნილია იგი.
- არ გამოიყენოთ ხელსაწყო თუ ჩამრთველი არ რთავს ან თიშავს მას. ნებისმიერი ხელსაწყო, რომელიც ვერ კონტროლდება ჩამრთველით, სახიფათოა და საჭიროებს შეკეთებას.
- თუ ამის შესაძლებლობა არსებობს მოხსენით აკუმულატორი ხელსაწყოთა ან გააქტიურეთ აკუმულატორის გამთიშავი ნაწილი ჩაჭკიდოთ საგნების მოშორებამდე, ნებისმიერი რეგულირებისას, ნაწილის ცვლილებისას, გაწმენდისას ან ხელსაწყოთა შენახვამდე. მსგავსი პრევენციული უსაფრთხოების ზომები ამცირებს ელექტრული ხელსაწყოთა უცაბედი ჩართვის რისკს.
- გათიშული ელექტრული ხელსაწყოები შეინახეთ ბავშვებისთვის მიუწვდომელ ადგილას და არ მისცეთ ხელსაწყოთა გამოყენების უფლება მისით სარგებლობის არმცოდნე ან მის ინსტრუქციაში ჩაუხედავ პირებს. ელექტრული ხელსაწყოები გამოუცდელი პირების ხელში სახიფათოა.
- მოუარეთ ელექტრულ ხელსაწყოებს და მის ნაწილებს. შეამოწმეთ მოძრავი და შემაკავშირებელი ნაწილების ურთიერთწინააღმდეგობა, ნაწილების დაზიანება და სხვა მდგომარეობა, რომელმაც შეიძლება გავლენა იქონიოს ხელსაწყოთა მუშაობაზე. დაზიანების შემთხვევაში შეაკეთეთ ხელსაწყოთა გამოყენებამდე. ბევრი ინციდენტი გამოწვეულია ცუდად მოვლილი ელექტრო ხელსაწყოების და მათი ნაწილების გამო.
- მჭრელი ხელსაწყოები იქონიეთ სუფთა და ბასრ მდგომარეობაში. სწორად მოვლილი ბასრი დანის პირის მქონე მჭრელი ხელსაწყოების გახლართვა ნაკლებად ალბათურია და მათი კონტროლიც გაადვილებულია.

- გამოიყენეთ ეს ხელსაწყო, მისი ნაწილები, მათი დამჭერები და ა.შ. ინსტრუქციის მიხედვით, სამუშაო გარემოს და სამუშაოს ტიპის გათვალისწინებით. ელექტრული ხელსაწყოს არადანიშნულებისამებრ გამოიყენებამ შესაძლოა შექმნას სახიფათო სიტუაცია.
- იქონიეთ სახელურები და სხვა ხელის ჩასაჭიდი ზედაპირები მშრალ და სუფთა, მათ შორის ცხიმისა და ზეთისგან თავისუფალ მდგომარეობაში. სრიალა სახელურები და ხელის ჩასაჭიდი ზედაპირები არ იძლევა ხელსაწყოს უსაფრთხო მოპყრობისა და კონტროლის საშუალებას მოულოდნელ სიტუაციებში.

აკუმულატორის გამოყენება და მოვლა

- დატენიე მხოლოდ მწარმოებლის მიერ მითითებული დამტენი მოწყობილობით. დამტენმა მოწყობილობამ, რომელიც თავსებადია ერთი ტიპის აკუმულატორთან, შესაძლოა წარმოშვას ხანძრის გაჩენის რისკი სხვა აკუმულატორზე გამოყენებისას.
- გამოიყენეთ ელექტრული ხელსაწყოები მხოლოდ სპეციალურად აღნიშნული აკუმულატორებით. სხვა აკუმულატორების გამოყენებამ შესაძლოა წარმოშვას ფიზიკური დაზიანების ან ხანძრის რისკი.
- როდესაც აკუმულატორს არ იყენებთ, მოაცილეთ იგი ლითონის საგნებს, როგორცაა ქაღალდის კლიპი, მონეტა, გასაღები, ლურსმანი, ხრახნი ან სხვა მცირე ზომის ლითონის საგნები, რომელთაც შეუძლიათ აკუმულატორის კონტაქტების დამოკლება. აკუმულატორის კონტაქტების დამოკლებამ შესაძლოა გამოიწვიოს დამწვრობა ან ხანძარი.
- არასწორი მოპყრობის შემთხვევაში სითხემ შესაძლოა გამოჟონოს აკუმულატორიდან; მოერიდეთ მასთან შეხებას. თუ შემთხვევით შეეხეთ სითხეს, ჩამოიბანეთ წყლით. თუ სითხე მოხვდა თვალებში, მიმართეთ ექიმს. აკუმულატორიდან გამოჟონილობა სითხემ შესაძლოა გამოიწვიოს გაღიზიანება ან დამწვრობა.
- არ გამოიყენოთ აკუმულატორი ან ხელსაწყო, რომელიც დაზიანებული ან გადაკეთებულია. დაზიანებულმა ან გადაკეთებულმა აკუმულატორმა შესაძლოა გამოავლინოს არაპროგნოზირებადი ქცევა, რამაც შეიძლება გამოიწვიოს ხანძარი, აფეთქება ან პირადი ზიანი.
- არ მოათავსოთ აკუმულატორი ან ხელსაწყო ცეცხლში ან მაღალ ტემპერატურულ გარემოში. 100 °C-ზე მაღალმა ტემპერატურამ შესაძლოა გამოიწვიოს აფეთქება.

- მიყევით დატენის ინსტრუქციებს და არ დატენოთ აკუმულატორი ინსტრუქციაში მითითებული ტემპერატურული დიაპაზონის გარეთ. არასწორი დატენვა ან და აკუმულატორის დატენვა ინსტრუქციაში მითითებული ტემპერატურული დიაპაზონის გარეთ ზრდის ხანძრის რისკს.

სხვა უსაფრთხოების გაფრთხილებები

ტრენინგი

- ყურადღებით წიკითხეთ ინსტრუქციები. შეისწავლეთ ხელსაწყოს კონტროლის ღილაკები და მათი მართებული გამოყენების გზა.
- არასდროს მისცეთ ხელსაწყოს გამოყენების უფლება მისით სარგებლობის არმცოდნე პირებს ან ბავშვებს. ადგილობრივმა კანონმდებლობამ შესაძლოა შეზღუდოს ხელსაწყოს მომხარებლის ასაკი.
- არასოდეს გამოიყენოთ ხელსაწყო თუ სხვა პირები, განსაკუთრებით ბავშვები ან შინაური ცხოველები არიან ახლოს.
- გაითვალისწინეთ რომ ოპერატორი ან მომხმარებელი პასუხისმგებელია იმ შემთხვევებზე ან საფრთხეებზე, რაც შესაძლოა წარმოექმნას სხვა პირებს ან მათ ქონებას.

მომზადება

- ყოველთვის გამოიყენეთ მყარი ფეხსაცმელი და გრძელი შარვალი ხელსაწყოთი სარგებლობისას. არ გამოიყენოთ ხელსაწყო, როცა ხართ ფეხშიშველი ან გაცვიათ ღია სანდლები.
- გულდასმით შეამოწმეთ ის არე, სადაც უნდა გამოიყენოთ ხელსაწყო და მოაცილეთ ყველა სხეული, რომელიც შეიძლება გამოტყორცნოს ხელსაწყოში.
- გამოყენებამდე ყოველთვის ვიზუალურად შეამოწმეთ ხელსაწყო ცვეთაზე ან დაზიანებაზე. შეცვალეთ გაცვეთილი ან დაზიანებული ნაწილები ერთად, რათა დაიცვათ ხელსაწყოს ცვეთის ბალანსი.

გამოყენება

- არ ისარგებლოთ მოტორით დახურულ შენობაში, სადაც შესაძლოა დაგროვდეს სახიფათო ნახშირბადის მონოოქსიდის გამოწონაოლქვი.
- ისარგებლეთ ხელსაწყოთი მხოლოდ დღის სინათლეზე ან კარგი ხელოვნური განათების პირობებში.
- ყოველთვის დაწმუნდით თქვენს მყარ საყრდენზე ბეჭობზე ხელსაწყოს გამოყენებისას.

KA

- არასოდეს ირბინოთ, მხოლოდ იარეთ ხელსაწყოთი სარგებლობისას.
- ბორბლიანი მბრუნავი ხელსაწყოების გამოყენებისას, იმუშავეთ ფერდობის განივი და არასოდეს მალა-დაბლა მიმართულებით.
- მოეპყარით ექსტრემალური სიფრთხილით, როდესაც ფერდობებზე მოძრაობას ცვლით.
- არ გამოიყენოთ ხელსაწყო მალიან ციკაბო ფერდობებზე.
- გამოიჩინეთ განსაკუთრებული სიფრთხილე როდესაც უკან მოძრაობთ ან ქაჩავთ ხელსაწყოს თქვენსკენ.
- არ შეეცალოთ მოტორის ძირითადი პარამეტრები ან გადატვირთოთ იგი.
- ფრთხილად ჩართეთ მოტორი მწარმოებლის ინსტრუქციების გათვალისწინებით და მთავრდით ფეხები ხელსაწყოს.
- არ მოათავსოთ თქვენი ხელები ან ფეხები მბრუნავი ნაწილების ახლოს ან ქვეშ.
- არასოდეს აწიოთ ან ატაროთ ხელსაწყო როცა მოტორი მუშაობს.

ხელსაწყოს გამოყენება ფერდობზე:

ფერდობები არის მნიშვნელოვანი ფაქტორი, რაც დაკავშირებულია მოსხლეტომისა და დაცემის შემთხვევებთან, რამაც შეიძლება გამოიწვიოს მძიმე დაზიანება. ყოველთვის დაწმუნდით თქვენს მყარ საყრდენზე ბექობზე ხელსაწყოს გამოყენებისას. ფერდობებზე მუშაობა მოითხოვს დამატებით სიფრთხილეს. თუ თქვენ თავს შეწუხებულად გრძნობთ ფერდობზე დგომისას, არ გამოიყენოთ ხელსაწყო იქ.

- უყურეთ ხერხელებს, კვლებს, ქვებს, დაფარულ საგნებს, ან ამოზურცულ ადგილებს, რამაც შეიძლება გამოიწვიოს თქვენი დასხლეტვა ან წაბორძკება. ბალახმა შეიძლება დამალოს დაბრკოლებები.

ტექნიკური სერვისი

- **ხელსაწყოს ტექნიკური სერვისი შეასრულებინეთ კვალიფიცირირ პირს მხოლოდ იდენტური სათადარიგო ნაწილების გამოყენებით.** მსგავსი პროცედურა უზრუნველყოფს ხელსაწყოს უსაფრთხოდ მუშაობას.
- **არასოდეს შეაკეთოთ დაზიანებული აკუმულატორები.** აკუმულატორების სერვისი მხოლოდ მწარმოებლის ან ავტორიზებული სერვისის მომწოდებლის მიერ არის შესაძლებელი.

⚠ გაფრთხილება: გაეცანით ამ ელექტრულ ხელსაწყოთან დაკავშირებულ ყველა უსაფრთხოების მითითებას, ინსტრუქციას, ილუსტრაციას და სპეციფიკაციას. ქვემოთ ჩამოთვლილი ყველა ინსტრუქციის უგულებელყოფამ შესაძლოა გამოიწვიოს ელექტრული შოკი, ხანძარი და/ან მოგაყენოთ სერიოზული ზიანი. შეინახეთ ყველა მითითება და ინსტრუქცია სამომავლოდ გამოყენებისთვის.

- გამოიყენეთ მხოლოდ ის აკუმულატორის ბლოკები და დამტენები, რომლებიც მითითებულია სურ. A-ში

შეინახეთ ეს მომხმარებლის ინსტრუქცია! სპეციფიკაციები

ჯაგრის ცილინდრის დიამეტრი	250 მმ	
გამწმენდი ზოლი	560 მმ	
რეკომენდირებული საექსპლუატაციო ტემპერატურა:	-15°C-40°C	
რეკომენდირებული დასაწყობების ტემპერატურა:	-20°C-70°C	
წონა (დამკავი კვრანის ჩათვლით)	5.05 კგ	
გაზომილი ხმის სიმძლავრის დონე L_{WA}	91.4 dB(A) K=2.02 dB(A)	
ბგერის წნევის დონე მომხმარებლის ყურზე L_{PA}	82.8 dB(A) K=2.5 dB(A)	
გარანტირებული ხმის სიმძლავრის დონე L_{WA} (გაზომილი 2000/14/EC რეგულაციის მიხედვით)	93 dB(A)	
ვიბრაციის შეფასება a_h	რეგულირებადი წინა სახელური	0.46 მ/წმ ² K=1.5 მ/წმ ²
	უკანა სახელური	1.43 მ/წმ ² K=1.5 მ/წმ ²

- მითითებული პარამეტრები ტესტირებული და გაზომილია PH1400E ელექტრული თავის საშუალებით.
- მითითებული ვიბრაციის სრული მნიშვნელობა გაზომილია სტანდარტული ტესტირების მეთოდით და შესაძლოა გამოყენებულ იქნას ერთი ხელსაწყოს მეორესთან შედარებისას.

- მითითებული ვიზრაციის სრული მნიშვნელობა ასევე შესაძლოა გამოყენებულ იქნას ზემოქმედების პირველადი შეფასებისას.

შენიშვნა: ელექტრული ხელსაწყოთა ვიზრაციის ემისია გამოყენებისას შესაძლოა განსხვავდებოდეს მითითებული ოდენობისგან; მომხმარებელმა ხელსაწყოთი სარგებლობისას საჭიროა გამოიყენოს ხელათმანებელი და ყურის დამცავი საშუალებები.

შეფუთვის ჩამონათვალი

ნაწილის დასახელება	რაოდენობა
ცილინდრული ჯაგრისის მიმაგრება	1
მბრუნავი ჯაგრისი	2
წამყვანი ღერძი	2
დამცავი ეკრანი (ჭანჭიკით).	1
ექვსწახნაგა შლიცის გასაღები	1
შტიფტი	2
ჩამკვეტი წვირი	2
მომხმარებლის ინსტრუქცია	1

აღწერა

შეისწავლეთ თქვენი მისამაგრებელი ცილინდრული ჯაგრისი (ნახ. A)

1. ტორსული ხუფი
2. ცილინდრული ჯაგრისის მიმაგრების ტარი
3. დამცავი ეკრანი
4. მბრუნავი ჯაგრისი
5. გადაცემათა კოლოფი
6. შტიფტი
7. ექვსწახნაგა შლიცის გასაღები

ანყოფა

▲ გაფრთხილება: თუ რომელიმე ნაწილი დაზიანებულია ან დაკარგულია, არ ისარგებლოთ ხელსაწყოთი, სანამ ყველა ნაწილი არ შეიცვლება. დაზიანებული ან დანაკლისი ნაწილების მქონე ხელსაწყოთი სარგებლობას შესაძლოა მოჰყვეს სერიოზული პირადი ზიანი.

▲ გაფრთხილება: არ სცადოთ ხელსაწყოთა გადაკეთება ან ისეთი ნაწილების გამოყენება, რომლებიც არაა რეკომენდირებული ამ მანქანისთვის. ნებისმიერი მსგავსი ცვლილება ან მოდიფიკაცია არის ხელსაწყოთა არასათანადო

გამოყენება და შესაძლოა წარმოქმნას სახიფათო მდგომარეობა, რომელმაც შესაძლოა გამოიწვიოს სერიოზული პირადი ზიანი.

▲ გაფრთხილება: უცაბედი ჩართვის გამოსარიცხად, რომელმაც შესაძლოა გამოიწვიოს სერიოზული პერსონალური ზიანი, ყოველთვის ამორთეთ აკუმულატორის კონექტორი ბუდიდან როდესაც ხდება ხელსაწყოთა აწყობა.

▲ გაფრთხილება: არ შეუერთოთ ცილინდრული ჯაგრისი ელექტრულ თავს, სანამ არ დაასრულებთ მის აწყობას ბოლომდე. ამ ინსტრუქციის უგულვებელყოფამ შესაძლოა გამოიწვიოს უცაბედი ჩართვა და მოციტანით სერიოზული პერსონალური ზიანი.

დამცავი ეკრანის დამონტაჟება

გაფრთხილება: დამონტაჟეთ დამცავი ეკრანი მისამაგრებელი ცილინდრული ჯაგრისის ელექტრულ თავთან მიმაგრებამდე.

1. მოუშვით და მოხსენით ჭანჭიკი დამცავ ეკრანს კომპლექტში არსებული ექვსწახნაგა შლიცის გასაღების საშუალებით (ნახ. B).
2. აწიეთ მისამაგრებელი ცილინდრული ჯაგრისის ტარი და მოხსენით მას ბოლოში არსებული ტორსული ხუფი.
3. დამცავ ეკრანზე არსებული ნასვრეტი გაუსწორეთ ტარის ბოლოში დატანილ წიბოს, გაატარეთ ტარი დამცავ ეკრანში, სანამ ეკრანზე და წიბოზე არსებული ხრახნებისთვის განკუთვნილი ხვრელები არ გაუსწორდება ერთმანეთს (ნახ. C და D).

ნახ. C და D ნაჩვენებია ნაწილების აღწერა მოცემულია ქვევით:

C-1	ნასვრეტი
C-2	სამაგრი წიბო
D-1	ჭანჭიკი

4. დაატრიალეთ კომპლექტში არსებული ექვსწახნაგა შლიცის გასაღები საათის ისრის მიმართულებით, რათა დაუჭიროთ დამცავი ეკრანი ჭანჭიკით.

მბრუნავი ჯაგრისების დამონტაჟების წესი

1. ჩასვით წამყვანი ღერძი მბრუნავ ლილვებში (ნახ. E).

ნახ. E ნაჩვენებია ნაწილების აღწერა მოცემულია ქვევით:

KA

E-1	მბრუნავი ლილვი
E-2	წამყვანი ღერძი

2. წამყვანი ღერძის მბრუნავ ლილვთან დამაგრებლად ჩასვით შტიფტი ჩამკეტ ხერელში.

შენიშვნა: აუცილებელია შტიფტის შესაბამის ხერელში ჩასმა (ნახ. F).

ნახ. F ნაჩვენები ნაწილების აღწერა მოცემულია ქვევით:

F-1	ჩამკეტი წვირი
F-2	ჩამკეტი ხერელი

3. მიყევით იგივე ნაბიჯებს, რათა დაამონტაჟოთ მეორე წამყვანი ღერძი.
4. ჩასვით მბრუნავი ჯაგარის წამყვან ღერძზე (ნახ. G).

ნახ. G ნაჩვენები ნაწილების აღწერა მოცემულია ქვევით:

G-1	მბრუნავი ჯაგარისი
G-2	წამყვანი ღერძი

5. მბრუნავი ჯაგარისის წამყვან ღერძთან მისამაგრებლად ჩასვით შტიფტი ბოლოში არსებულ ნასვრეტში (ნახ. H).

ნახ. H ნაჩვენები ნაწილების აღწერა მოცემულია ქვევით:

H-1	შტიფტი
-----	--------

6. მიყევით იგივე ნაბიჯებს, რათა დაამონტაჟოთ მეორე მბრუნავი ჯაგარისი.

ელექტრულ თავზე ცილინდრული ჯაგარისის მიმაგრების დამონტაჟება

⚠ გაფრთხილება: არასოდეს დაამონტაჟოთ ან დაარეგულიროთ რაიმე მიმაგრებული ხელსაწყო, როდესაც თავი მუშაობს ან მასში აკუმულატორი ჩამონტაჟებულია. მოტორის გაჩერების და აკუმულატორის მოხსნის უგულვებელყოფამ შესაძლოა მოგაყენოთ სერიოზული პირადი ზიანი.

ეს ცილინდრული ჯაგარისის მიმაგრება განკუთვნილია EGO PH1400E ელექტრულ თავთან მუშაობისთვის.

1. გააჩერეთ მოტორი და მოხსენით აკუმულატორი

2. მოუშვით ელექტრულ თავის სამაგრ ქუროზე არსებული ფრთიანი ქანჩი.
3. თუ ტრისული ხეფი მიმაგრების ტარზეა, მოხსენით და შეინახეთ იგი უსაფრთხო ადგილას მომავალში გამოსაყენებლად.

მისამაგრებელი ცილინდრული ჯაგარისის ტარზე არსებული ისარი გაუსწორეთ მართებელ ქუროზე მდებარე ისარს (ნახ. I) და ჩასვით ჯაგარისის ტარი მართებელ ქუროში, სანამ არ გაიგებთ „წკაპ“ ხმას (ნახ. J).

ნახ. I ნაჩვენები ნაწილების აღწერა მოცემულია ქვევით:

I-1	ტარის მოხსნის დილაკი
I-2	მართებელ ქუროზე დატანილი ისარი
I-3	ფრთიანი ქანჩი
I-4	მისამაგრებელ ხელსაწყოს ტარზე დატანილი ისარი
I-5	წითელი ხაზი

ნახ. J ნაჩვენები ნაწილების აღწერა მოცემულია ქვევით:

J-1	წითელი ხაზი
-----	-------------

4. ოდნავ მოქაჩეთ მისამაგრებელი ჯაგარისის ტარი, რათა დარწმუნდეთ რომ იგი უსაფრთხოდ არის ჩამაგრებული ქუროში. წინააღმდეგ შემთხვევაში დაატრიალეთ ჯაგარისის ტარი წინა და უკანა მიმართულებით სამაგრ ქუროში, სანამ არ გაიგებთ „წკაპ“ ხმას, რაც აღნიშნავს რომ შეერთება წარმატებულია.
5. მჭიდროდ დაუჭირეთ ფრთიანი ქანჩი.

⚠ გაფრთხილება: დარწმუნდით რომ სამაგრ ქუროზე არსებული ფრთიანი ქანჩი არის სრულად დაჭერილი ხელსაწყოს გამოყენებამდე, პერიოდულად შეამოწმეთ დამჭერი, რათა თავიდან აიცილოთ სერიოზული პირადი ზიანი.

ხელსაწყოს თავზე მიმაგრებული მონყობილობის მოხსნა

1. გააჩერეთ მოტორი და მოხსენით აკუმულატორი.
2. მოუშვით ფრთიანი ქანჩი.
3. ტარის მოხსნელი დილაკიდან დაჭერილი ხელის აუღებლად მოქაჩეთ ან დაატრიალეთ ელექტრულ თავზე მიმაგრებული ჯაგარისის ტარი, სანამ არ გამოიღებთ სამაგრი ქუროდან.

ექსპლუატაცია

▲ გაფრთხილება: შეეცადეთ მსგავსი პროდუქტის გამოყენების გამოცდილებამ არ გამოიწვიოს თქვენი უგულისყურობა. დაიმასხოვეთ რომ უგულისყურობამ წამის მეთოდშიც კი შესაძლოა მოგიტანოთ სერიოზული ზიანი.

▲ გაფრთხილება: ყოველთვის მორგეთ უსაფრთხოების სათვალე და სმენის დამცავი საშუალება. ამ ინსტრუქციის უგულებელყოფამ შესაძლოა გამოიწვიოს სხვადასხვა სხეულის თვალში მოხვედრა და სხვა შესაძლო სერიოზული ზიანი.

▲ გაფრთხილება: არ გამოიყენოთ სხვა ნებისმიერი ნაწილი, რომელიც არაა რეკომენდირებული ამ ხელსაწყოს მწარმოებლის მიერ. არარეკომენდირებულ ნაწილის გამოყენებამ შესაძლოა მოგაყენოთ სერიოზული ზიანი.

გამოყენებები

თქვენ შეგიძლიათ გამოიყენოთ ხელსაწყო ქვემოთ ჩამოთვლილი მიზნებისთვის:

- ადვილებისა და ბილიკების დასასუფთავებლად, მათ შორის ისეთებისა კი, რომელთაც უსწორმასწორო ზედაპირი ან სხვადასხვა ტიპის ზედაპირები აქვთ.
- ტროტუარის/ბეტონის/ასფალტის გზის, ბილიკებისა და ეზოების დასასუფთავებლად.

გაფრთხილება: ჩაიცვით შესაბამისად, რათა შეამციროთ დაზიანების რისკი ხელსაწყოთი სარგებლობისას. არ ჩაიცვათ განიერი, ფრიალა ტანსაცმელი და ძვირფასეულობა. გაიკეთეთ თვალეზის დამცავი. ჩაიცვით საშუალო გრძელი მარვალი, ჩექმა და ხელთათმანები. დაუშვებელია გეცვათ მოკლე შორტი, სანძღები ან იარაღი ფეხშიშველმა.

თუ გასასუფთავებელი ზედაპირი მშრალია, მორწყეთ იგი წყლით, რათა შეამციროთ წარმოქმნილი მტვრის რაოდენობა.

მუშაობისას ჯაგრისი თქვენს წინ უნდა მდებარეობდეს. დაიჭირეთ ჯაგრისის მიმაგრება ორივე ხელით, მოათავსეთ ერთი ხელი უკანა სახელურზე, ხოლო მეორე ხელი - წინა სახელურზე. მუშაობისას ორივე ხელი მჭიდროდ მოკიდეთ ჯაგრისის მიმაგრებას.

დაიჭირეთ და გაატარეთ ჯაგრისი მცირე დახრილი კუთხით. თუ ჯაგრისის მიმაგრება მაღიან დახრილი კუთხით გიჭირავთ, მან

შესაძლოა მომხმარებელს ზიანი გადასცეს.

კარგად ჩაჭიდეთ ხელი ხელსაწყოს და დაცავით ბალანსი ორივე ფეხზე (ნახ. K).

გამოსროლილმა საგნებმა შეიძლება სერიოზულად დააზიანოს მომხმარებელი ან განზე მდგომი ადამიანი. პირადი ზიანის მიღების რისკის შესამცირებლად აუცილებელია შემდეგი უსაფრთხოების ზომების მიღება:

- ყოველთვის მყარად გეჭირეთ ჯაგრისის მიმაგრება ორივე ხელით მისით სარგებლობისას. მჭიდროდ ჩაჭიდეთ ხელი ორივე სახელურს.
- მიიტანეთ ჯაგრისი საშუალო არეში მის ჩართვამდე და დაიწყეთ მუშაობა დაბალი სიჩქარიდან.
- კონტროლის დაკარგვისას ზიანის რისკის შესამცირებლად, დაიჭირეთ და გაატარეთ ჯაგრისი მცირე დახრილი კუთხით. თუ ჯაგრისის მიმაგრება მაღიან დახრილი კუთხით გიჭირავთ, მან შესაძლოა მომხმარებელს ზიანი გადასცეს.

ყოველი გამოყენების წინ შეამოწმეთ დაზიანებული/გაცვეთილი ნაწილების არსებობა.

შეამოწმეთ მზრუნავი ჯაგრისი, დამცავი ეკრანი, რეგულირებადი წინა სახელური და წამყვანი ღერძი, შეეცალეთ ყველა ნაწილი, რომლებიც გაზარულია, გაღუნულია, აქვს შეცვლილი ფორმა ან დაზიანებულია სხვაგვარად.

გაწმინდეთ ცილინდრული ჯაგრისი ყოველი გამოყენების შემდეგ

იხილეთ სექცია „ექსპლუატაცია“ განმედიის ინსტრუქციებისთვის.

ხელსაწყოს ჩასართავად/გამოსართავად

იხილეთ სექცია „ელექტრული თავის ჩართვა/გამორთვა“ PH1400E ელექტრული თავის მომხმარებლის ინსტრუქციაში.

ექსპლუატაცია

▲ გაფრთხილება: ტექნიკური სერვისისას გამოიყენეთ მხოლოდ იდენტური სათადარიგო ნაწილები. სხვა ნებისმიერი ნაწილის გამოყენებამ შესაძლოა შექმნას საფრთხე ან გამოიწვიოს ხელსაწყო დაზიანება. ხელსაწყოს უსაფრთხოდ და გამართულად მუშაობისთვის საჭიროა მისი ყველა შეკეთება და ნაწილის შეცვლა შესრულდეს კვალიფიციური სერვისის ტექნიკოსის მიერ.

KA

▲ გაფრთხილება: აკუმულატორიანი ელექტრული ხელსაწყოების ქსელში შეერთება არ არის აუცილებელი; ისინი ყოველთვის მუშა მდგომარეობაში არიან. სერიოზული პერსონალური ზიანისგან თავის არიდების მიზნით მიიღეთ დამატებითი ზომები და გამოიჩინეთ სიფრთხილე შეკეთებისას, სერვისის ან სათიბი და სხვა ნაწილების შეცვლისას.

▲ გაფრთხილება: სერიოზული პერსონალური ზიანისგან თავის არიდების მიზნით მოხსენით აკუმულატორი ელექტრულ თავს და დაელოდეთ მზრუნავი ჯაგარის გაჩერებას ტექნიკური სერვისის, გაწმენდის, მიმაგრების შეცვლის ან როდესაც ხელსაწყო არაა გამოყენებაში.

ზოგადი მოვლის წესი

▲ გაფრთხილება: არცერთ შემთხვევაში არ მისცეთ საშუალება სატორმუზო სითხეს, ბენზინს, ნავთობის ბაზაზე დამზადებულ პროდუქტებს ან სხვა ძლიერ გამსხნელებს მოვიდნენ პლასტმასის ნაწილებთან კონტაქტში. ქიმიურმა ნაერთებმა შესაძლოა დაზიანოს, გაცვითოს და დაშალოს პლასტმასი, რამაც შეიძლება მოგაყენოთ სერიოზული პირადი ზიანი.

▲ გაფრთხილება: როდესაც წმინდად მისამარებელ ცილინდრულ ჯაგარის, არ მოათავსოთ იგი წყალში ან სხვა სითხეში. არ გაასუფთავოთ ხელსაწყო წნევით მრეცხავი მოწყობილობის საშუალებით. წყლის მასიურმა ჭაგლმა შესაძლოა დაზიანოს ხელსაწყო ნაწილები.

მზრუნავი ჯაგარისის მოვლის წესი

- ხშირად გაწმინდეთ მზრუნავი ჯაგარისი.
- თუ დაზიანების გამო რომელიმე მზრუნავი ჯაგარისი არის შესაცვლელი, შეცვალეთ ორივე მზრუნავი ჯაგარისი ერთდროულად ხელსაწყოს უკეთესი მუშაობისთვის.

ცილინდრული ჯაგარისის ტექნიკური სერვისი, გარდა ინსტრუქციაში მოცემული მოვლის წესებში აღწერილი პროცედურებისა, უნდა შესრულდეს ავტორიზირებული სერვისის მუშაკის მიერ.

მზრუნავი ჯაგარისების შეცვლა

▲ გაფრთხილება: დაზიანებული მზრუნავი ჯაგარისი შესაძლოა გატყდეს რამდენიმე

ნაწილად დიდი ხნით გამოყენების შემთხვევაში, რამაც შესაძლოა გამოიწვიოს სახიფათო გამოტყორცნილი საგნები. გამოტყორცნილმა საგნებმა შესაძლოა მოგაყენოთ სერიოზული ზიანი. რეგულარულად შეამოწმეთ ის და არ მოახდინოთ ცილინდრული ჯაგარისის ექსპლუატაცია გაცვეთილი ან დაზიანებული ნაწილებით.

მოსახსნელად (ნახ. L)

1. ამოიღეთ შტიფტი წამყვანი ღერძის ბოლოდან.
2. გამოიღეთ მზრუნავი ჯაგარისი საკუთარი დამცავი ფილით წამყვანი ღერძიდან.
3. თუ წამყვანი ღერძი დაზიანებულია, ამოიღეთ ჩამკეტი წკირი წამყვანი ღერძის ნასვრეტთან და მოხსენით წამყვანი ღერძი მზრუნავ ლილვს (ნახ. M).
4. თუ დამცავი ფილა დაზიანებულია, მოხსენით იგი მზრუნავ ჯაგარისს და შეცვალეთ.
5. მიეყვით იგივე ნაბიჯებს, რათა მოხსნათ მეორე მზრუნავი ჯაგარისიც.

ნახ. L ნაჩვენებია ნაწილების აღწერა მოცემულია ქვევით:

L-1	მზრუნავი ლილვი	L-4	შტიფტი
L-2	ჩამკეტი წკირი	L-5	დამცავი ფილა
L-3	მზრუნავი ჯაგარისი	L-6	წამყვანი ღერძი

დასამონტაჟებლად

1. დაამაგრეთ წამყვანი ღერძი მზრუნავ ლილვზე და ჩასვით ჩამკეტი წკირი წამყვანი ღერძზე არსებულ ნასვრეტში (იხ. ნახ. F).
2. დაამონტაჟეთ დამცავი ფილა მზრუნავ ჯაგარისზე ფილაზე არსებული სამაგრის ჩასმით მზრუნავი ჯაგარისის ნასვრეტში (ნახ. N).

ნახ. N ნაჩვენებია ნაწილების აღწერა მოცემულია ქვევით:

N-1	ნასვრეტი
N-2	სამაგრი წიბო

3. ჩასვით მზრუნავი ჯაგარისი წამყვან ღერძზე (იხ. ნახ. G).

4. ჩასვით წამყვანი ღერძის ბოლოში არსებულ ნასვრეტში შტიფტი და ბრტყლად გადაკეცეთ.
5. მიყევით იგივე ნაბიჯებს, რათა დამონტაჟოთ მეორე მბრუნავი ჯაგრისიც.

⚠ გაფრთხილება: ყოველთვის შეცვალეთ ორივე მბრუნავი ჯაგრისი ერთდროულად.

ხელსაწყო განმუშავების წესი

- მოხსენით აკუმულატორი.
- გაასუფთავეთ მბრუნავი ჯაგრისები, დამცავი ეკრანი ან გადაცემათა კოლოფი ფსევების ნაწილებისგან, გაჭედული მიწისა და მცენარეებისგან. საფულდაგულო განმუშავებისთვის მოხსენით მბრუნავი ჯაგრისები და დამცავი ეკრანი ხელსაწყოს და საფუძვლიანად გარეცხეთ ისინი. ნაწილების გამოცვლის დეტალური მითითებებისთვის გთხოვთ იხილოთ ამ ინსტრუქციის სექცია **„მბრუნავი ჯაგრისების შეცვლა“**.
- არ დაახშოთ ხელსაწყოს საკაეროები.

ხელსაწყო შენახვის წესი

- მოხსენით აკუმულატორი ხელსაწყოს.
- საფუძვლიანად განმინდეთ ხელსაწყო და შეამოწმეთ მბრუნავი ჯაგრისები.
- მოხსენით მიმაგრებული ცილინდრული ჯაგრისი ელექტრულ თავს და დააფარეთ მიმაგრების ტარის ბოლოს ტორსული ხუფი, რათა აიცილოთ თავიდან შეერთებაში ჭუჭყის მოხვედრა.
- შეინახეთ ხელსაწყო მშრალ, კარგად განიავებად ადგილას, ჩაკეტილ ან მაღალ სათავსოში, ზავშვებისთვის მიუწვდომელ ადგილას. არ შეინახოთ ხელსაწყო სასუქის, ბენზინის და სხვა ქიმიური ნივთიერებების სიახლოვეს.

გარემოს დაცვა



არ მოახდინოთ ელექტრული მოწყობილობის, აკუმულატორის დამტენის და მისი ბატარეების მოთავსება საყოფაცხოვრებო ნაგავში! ევროკავშირის 2012/19/EU რეგულაციის მიხედვით, ელექტრული და ელექტრონული ხელსაწყოები, რომლებიც აღარ გამოიყენება, ასევე 2006/66/EC რეგულაციის მიხედვით, დეფექტური ან გამოყენებული აკუმულატორები/ბატარეები, უნდა შეგროვდეს ცალკეულად. ელექტრული მოწყობილობების ნაგავსაყრელზე მოთავსებისას, სახიფათო ნარჩენები შესაძლოა გაიჟონოს გრუნტის წყლებში და მოხვდეს საკვებ ჯაჭვში, რამაც შესაძლოა დააზიანოს თქვენი ჯანმრთელობა და კეთილდღეობა.

პრობლემების დიაგნოსტიკა

პრობლემა	მიზეზი	გადაჭრის გზა
ცილინდრული ჯაგრისი არ ირთვება.	<ul style="list-style-type: none"> აკუმულატორი არ არის სწორად შეერთებული ელექტრულ თავზე. ელექტრულ თავსა და აკუმულატორს შორის არ არის ელექტრული კონტაქტი. აკუმულატორი დაცლილია. ელექტრული თავზე არსებული ჩამკეტი ბერკეტი და ტრიგერი ერთდროულად არაა აქტივირებული. ისევ არ ირთვება ზემოთჩამოთვლილი მიზეზების გადაჭრის შემდეგ. 	<ul style="list-style-type: none"> დაამაგრეთ აკუმულატორი ელექტრულ თავზე. მოხსენით აკუმულატორი, შეამოწმეთ კონტაქტები და კვლავ მოათავსეთ იგი უკან, სანამ არ ჩაჯდება თავის ადგილას. დატენეთ აკუმულატორი მხოლოდ EGO-ს მიერ ამ მომხმარებლის ინსტრუქციაში ჩამოთვლილი დამტენი მოწყობილობით. დააჭირეთ ჩამკეტი ბერკეტი და გააჩერეთ ამ მდგომარეობაში, შემდეგ დააჭირეთ თითო ტრიგერს. მიმართეთ EGO-ს კლიენტთა მომსახურების ცენტრს.
ცილინდრული ჯაგრისი აშკარად დაზიანებულია.	<ul style="list-style-type: none"> ტრანსპორტირებისას ან გამოყენებისას მიყენებული მნიშვნელოვანი ზიანი. 	<ul style="list-style-type: none"> მიმართეთ EGO-ს კლიენტთა მომსახურების ცენტრს.
ცილინდრული ჯაგრისი ჩერდება მუშაობის პროცესში.	<ul style="list-style-type: none"> მოტორი არის გადატვირთული. აკუმულატორი ან ელექტრული თავი ზედმეტად გაცხელებულია. აკუმულატორი მოხსნილია ხელსაწყოდან. აკუმულატორი დაცლილია. ისევ არ ირთვება ზემოთჩამოთვლილი მიზეზების გადაჭრის შემდეგ. 	<ul style="list-style-type: none"> ხელსაწყო განაახლებს მუშაობას, როდესაც დატვირთვა მოიხსნება. განუწყვეტლივ მუშაობისას შეამცირეთ ცილინდრულ ჯაგრისზე დატვირთვა. აცალეთ აკუმულატორს ან ელექტრულ თავს გაგრილება 67°C-ის ქვევით. ხელახლა ჩასვით აკუმულატორი. დატენეთ აკუმულატორი მხოლოდ EGO-ს მიერ ამ მომხმარებლის ინსტრუქციაში ჩამოთვლილი დამტენი მოწყობილობით. მიმართეთ EGO-ს კლიენტთა მომსახურების ცენტრს.

KA

გარანტია

EGO-ს გარანტიის მომსახურების წესი

გთხოვთ ეწვიოთ ვებ-გვერდს egopowerplus.com, რათა მიიღოთ EGO-ს საგარანტო მომსახურების სრული დადგენილებები და პირობები.

238

ცილინდრული ჯაგრისის მიმაგრება — BBA2100

PROČITAJTE SVA UPUTSTVA!



PROČITAJTE PRIRUČNIK ZA RUKOVAOCA

⚠ Rezidualni rizik! Osobe sa elektronskim uređajima, poput pejsmejкера, treba da konsultuju svog lekara (svoje lekare) pre upotrebe ovog proizvoda. Rukovanje električnom opremom u neposrednoj blizini srčanog pejsmejкера moglo bi da izazove smetnje ili otkazivanje pejsmejкера.

⚠ UPOZORENJE: Da bi se osigurala sigurnost i pouzdanost, sve popravke i zamene treba da radi kvalifikovani servisni tehničar.

SIGURNOSNI SIMBOL

Svrha sigurnosnih simbola je da vam skrenu pažnju na moguće opasnosti. Sigurnosni simboli i objašnjenja uz njih zaslužuju vašu ponnu pažnju i shvatanje. Simboli upozorenja, sami po sebi, ne eliminišu nikakve opasnosti. Uputstva i upozorenja koja oni daju nisu zamena za odgovarajuće mere sprečavanja nezgoda.

⚠ UPOZORENJE: Obavezno pročitajte i shvatite sva sigurnosna uputstva u ovom Priručniku za rukovaoca, obuhvatajući i sve simbole sigurnosnih upozorenja poput „OPASNOST“, „UPOZORENJE“ i „OPREZ“ pre korišćenja ovog alata. Nepridržavanje svih dole navedenih uputstava može da dovede do strujnog udara, požara i/ili ozbiljne telesne povrede.

ZNAČENJE SIMBOLA

⚠ SIMBOL SIGURNOSNOG UPOZORENJA: Ukazuje na **OPASNOST**, **UPOZORENJE**, ILI **OPREZ**, može se koristiti zajedno sa drugim simbolima ili piktogramima.



⚠ UPOZORENJE: Rukovanje svakim električnim alatom može da dovede do izbacivanja stranih tela ka očima, što može da dovede do ozbiljnog oštećenja očiju. Pre započinjanja rada sa električnim alatom, uvek stavite sigurnosne naočare sa bočnim štitnicima ili po potrebi masku za celo lice. Preporučujemo sigurnosnu masku Wide Vision za upotrebu preko naočara ili standardnih sigurnosnih naočara sa bočnim štitnicima.

SIGURNOSNA UPUTSTVA

Ova stranica prikazuje i opisuje sigurnosne simbole koji mogu da se pojave na ovom proizvodu. Pročitajte, shvatite i sledite sva uputstva na mašini pre no što pokušate da je sklopite i da rukujete njom.

	Sigurnosno upozorenje	Označava potencijalnu opasnost od telesne povrede.
	Pročitajte Priručnik za rukovaoca	Da bi smanjio rizik od povreda, korisnik pre korišćenja ovog proizvoda mora pročitati i shvatiti priručnik za rukovaoca.
	Nosite zaštitu za oči	Uvek nosite sigurnosne naočare sa bočnim štitnicima ili po potrebi masku za celo lice kad rukujete ovim proizvodom.
	Držite prolaznike podalje	Držite prolaznike na bezbednoj udaljenosti
	Nosite zaštitne rukavice	Zaštitite ruke rukavicama kada rukujete noževima. Radne rukavice koje se ne klizu poboljšavaju hvat i štite šake.
	Nosite sigurnosnu obuću	Nosite sigurnosnu obuću koja se ne klize kada koristite ovaj uređaj.
	Odbijanje predmeta	Izbačeni predmeti se mogu odbiti i izazvati telesnu povredu ili oštetiti imovinu.
	Ne izlazite kiši	Ne koristite po kiši i ne ostavljajte napolju dok pada kiša.
	CE	Ovaj proizvod je u skladu sa primenljivim EC direktivama.
	WEEE	Otpadne električne proizvode ne bi trebalo odlagati zajedno sa otpadom iz domaćinstva. Odnosite ih u ovlašćeni pogon za reciklažu.
	Buka	Garantovan nivo jačine zvuka. Emisija buke u okruženju prema Direktivi Evropske zajednice
V	Volt	Voltaža
mm	Milimetar	Dužina ili veličina
kg	Kilogram	Težina

OPŠTA SIGURNOSNA UPOZORENJA ZA ELEKTRIČNI ALAT

⚠ UPOZORENJE! Pročitajte sva sigurnosna upozorenja, uputstva, ilustracije i specifikacije priložene uz ovaj električni alat. Nepridržavanje svih dole navedenih uputstava može da dovede do strujnog udara, požara i/ili ozbiljne povrede.

Sačuvajte sva upozorenja i uputstva za buduću upotrebu.

BEZBEDNOST NA RADNOM PODRUČJU

- Održavajte radno područje čistim i dobro osvetljenim. Na pretrpanim ili mračnim područjima su veće šanse da dođe do nezgoda.
- Ne koristite električne alate u eksplozivnim atmosferama, kao na primer u prisustvu zapaljivih tečnosti, gasova ili prašine. Električni alat stvara varnice koje mogu zapaliti prašinu ili isparenja.
- Držite decu i prolaznike podalje dok koristite električni alat. Ako vam neko odvrti pažnju, možete izgubiti kontrolu.

ELEKTRIČNA BEZBEDNOST

- Ne izlažite električne alate kiši ili mokrim uslovima. Voda koja uđe u električni alat povećava rizik od strujnog udara.

LIČNA BEZBEDNOST

- Ostanite u pripravnosti, pazite šta radite i koristite zdrav razum kada koristite električni alat. Ne koristite električni alat kada ste umorni ili pod uticajem droga, alkohola ili lekova. Trenutak nepažnje kada koristite električni alat je dovoljan da izazove ozbiljne telesne povrede.
- Uvek koristite ličnu zaštitnu opremu. Lična zaštitna oprema poput zaštite očiju, maske za prašinu, radnih cipela koje se ne kliču, šlema i/ili zaštite sluha će, kada se koristi za odgovarajuće uslove, smanjiti telesne povrede.
- Sprečite slučajno pokretanje. Osigurajte da prekidač bude u isključenom položaju pre povezivanja na izvor napajanja i/ili bateriju, podizanja ili nošenja alata. Nošenje električnih alata sa prstom na prekidaču ili uključivanje u utičnicu električnih alata čiji prekidač je u uključenom položaju priziva nezgode.
- Uklonite sve ključeve za podešavanje pre uključivanja električnog alata. Ključ koji ostane pričvršćen za rotacioni deo električnog alata može da izazove telesnu povredu.

SR

- Ne presežite. U svakom trenutku održavajte pravilan položaj nogu i ravnotežu. To omogućava bolju kontrolu električnog alata u neočekivanim situacijama.
- Prikladno se obucite. Ne nosite labavu odeću niti nakit. Držite kosu, odeću i rukavice dalje od pokretnih delova. Labava odeća, nakit ili duga kosa mogu da se zakače pokretnim delovima.
- Ako su priloženi uređaji za povezivanje delova za izbacivanje i prikupljanje prašine, osigurajte da oni budu povezani i da se pravilno koriste. Upotreba uređaja za prašinu može da smanji opasnosti koje izaziva prašina.
- Ne dozvolite da zbog poznavanja koje ste stekli kroz čestu upotrebu alata postanete samozadovoljni i ignorirate principe bezbednosti alata. Nemami postupak može da izazove ozbiljnu povredu u deliču sekunde.

UPOTREBA I ODRŽAVANJE ELEKTRIČNOG ALATA

- Ne silite električni alat. Koristite odgovarajući električni alat za ono što radite. Odgovarajući električni alat uradiće posao bolje i bezbednije onom brzinom za koju je dizajniran.
- Ne koristite električni alat ako ga prekidač ne uključuje i isključuje. Svaki električni alat koji se ne može kontrolisati prekidačem je opasan i mora se popraviti.
- Izvadite bateriju, ako je odvojiva, iz električnog alata i/ili aktivirajte eventualni uređaj za onemogućavanje baterije pre vađenja zaglavljene materijala, podešavanja, menjanja dodataka, čišćenja ili skladištenja električnog alata. Takve preventivne sigurnosne mere smanjuju rizik od nehotičnog pokretanja električnog alata.
- Skladištite isključene električne alate van domašaja dece i ne dozvolite osobama koje nisu upoznate sa ovim električnim alatom ili ovim uputstvom da rukuju električnim alatom. Električni alat je opasan u rukama nekalifikovanih korisnika.
- Održavajte električni alat i dodatke. Proverite pravilno poravnanje ili spojeve pokretnih delova, lomljenje delova i sva druga stanja koja mogu da utiču na rad električnog alata. Ako je oštećen, odnesite električni alat na popravku pre upotrebe. Mnoge nezgode su izazvane loše održanim električnim alatima i dodacima.
- Održavajte alate koji seku oštrim i čistim. Pravilno održavani alati za sečenje sa oštrim ivicama za sečenje se ređe zapetljavaju i lakše se kontrolišu.
- Koristite električni alat, dodatke, delove itd. u skladu sa ovim uputstvom, uzimajući u obzir radne uslove i rad koji treba obaviti. Korišćenje električnog alata za rad drugačiji od predviđenog moglo bi da dovede do opasne situacije.

- **Održavajte drške i površine koje hvatate suvim, čistim i bez ulja i masnoće.** Klizave drške i površine koje hvatate ne omogućavaju bezbedno rukovanje i kontrolu alata u neočekivanim situacijama.

UPOTREBA I ODRŽAVANJE ALATA NA BATERIJE

- **Punite samo punjačem koji navodi proizvođač.** Punjač koji je prikladan za jedan tip baterije može da stvori opasnost od požara kad se koristi sa drugom baterijom.
- **Koristite električni alat samo sa konkretno imenovanim baterijama.** Upotreba bilo kakvih drugih baterija može da stvori rizik od povrede i požara.
- **Kad se baterija ne koristi, držite je dalje od drugih metalnih predmeta, poput spajalica, novčića, ključeva, ekspera, vijaka ili drugih malih metalnih predmeta koji mogu da naprave spoj jednog terminala sa drugim.** Kratak spoj terminala baterije može da izazove opekotine ili požar.
- **U ekstremnim uslovima može doći do curenja tečnosti iz baterije; izbegavajte kontakt sa njom. Ako dođe do nehotičnog kontakta, isperite vodom. Ako tečnost dođe u kontakt sa očima, takođe potražite i medicinsku pomoć.** Tečnost iz baterije može da izazove iritaciju ili opekotine.
- **Ne koristite bateriju ili alat koji su oštećeni ili modifikovani.** Oštećene ili modifikovane baterije mogu da ispolje nepredvidivo ponašanje, dovodeći do požara, eksplozije ili rizika od povrede.
- **Ne izlažite bateriju ili alat vatri ili previsokoj temperaturi.** Izlaganje vatri ili temperaturi iznad 100 °C može izazvati eksploziju.
- **Pratite sva uputstva za punjenje i ne puniti bateriju ili alat izvan temperaturnog opsega navedenog u uputstvima.** Punjenje na nepravilan način ili na temperaturama izvan navedenog opsega može da ošteti bateriju i poveća rizik od požara.

OSTALA SIGURNOSNA UPOZORENJA

Obuka

- Pažljivo pročitajte uputstvo. Upoznajte se sa kontrolama i pravilnom upotrebom mašine.
- Nikad ne dozvolite ljudima koji nisu upoznati sa ovim uputstvima ili deci da koriste mašinu. Lokalni propisi mogu da ograniče uzrast rukovaoca.
- Nikad ne radite dok su ljudi, naročito deca, ili kućni ljubimci u blizini.
- Imajte na umu da je rukovalac ili korisnik odgovoran za nezgode ili opasnosti po druge ljude ili njihovu imovinu.

Priprema

- Dok radite, uvek nosite čvrstu obuću i duge pantalone. Ne rukujte opremom dok ste bos ili nosite sandale ili papuče.
- Temeljno pregledajte površinu na kojoj ćete koristiti opremu i uklonite sve predmete koje mašina može da baci u vazduh.
- Pre korišćenja, uvek vizuelno pregledajte da biste proverili da li su alati pohabani ili oštećeni. Zamenite pohabane ili oštećene elemente i zavrtnje u kompletu da biste očuvali balans.

Rukovanje

- Ne rukujte motorom u malom zatvorenom prostoru gde se mogu nagomilati opasna isparenja ugljen monoksida.
- Radite samo po dnevnom svetlu ili po dobrom veštačkom svetlu.
- Uvek vodite računa o položaju nogu na nagibima.
- Hodajte, nikad nemojte trčati sa mašinom.
- Za rotacione mašine sa točkovima, hodajte popreko na nagibu, nikad uzbrdo i nizbrdo.
- Budite krajnje oprezni kad menjate smer na nagibima.
- Ne radite na prekomerno strmim nagibima.
- Budite krajnje oprezni kad idete unazad ili vučete mašinu prema sebi.
- Ne menjajte fabričke postavke motora i ne uklanjajte blokadu brzine motora.
- Pažljivo pokrenite motor prema uputstvu proizvođača i držite stopala dosta dalje od alata.
- Ne stavljajte šake ili stopala blizu ili ispod rotirajućih delova.
- Nikad ne podižite ili nosite mašinu dok motor radi.

RAD NA NAGIBU:

Nagibi su glavni faktor povezan sa nezgodama klizanja i padanja, koje mogu da dovedu do ozbiljne povrede. Uvek vodite računa o položaju nogu na nagibima. Rad na nagibima zahteva dodatni oprez. Ako se osećate nesigurno na nagibu, nemojte raditi na njemu.

- Pazite na rupe, tragove točkova, kamenje, skrivene predmete ili ispuščenja zbog kojih se možete okliznuti ili saplesti. Visoka trava može da sakrije prepreke.

SERVIS

- **Odnosite električni alat na servisiranje kod kvalifikovanog servisera koji će koristiti samo identične rezervne delove.** To će osigurati da bezbednost električnog alata bude održana.

- **Nikad ne servisirajte oštećene baterije.** Servisiranje baterija treba da radi samo proizvođač ili ovlašćeni servis.

⚠ UPOZORENJE: Pročitajte sva sigurnosna upozorenja, uputstva, ilustracije i specifikacije priložene uz ovaj električni alat. Nepridržavanje svih dole navedenih uputstava može da dovede do strujnog udara, požara i/ili ozbiljne povrede. Sačuvajte sva upozorenja i uputstva za buduću upotrebu.

- Koristite samo sa baterijama i punjačima navedenim na slici A.

SACUVAJTE OVO UPUTSTVO

SPECIFIKACIJE

Prečnik valjka četke	250 mm	
Širina čišćenja	560 mm	
Preporučena radna temperatura	-15 °C do 40 °C	
Preporučena temperatura skladištenja	-20 °C do 70 °C	
Težina (sa štitnikom)	5,05 kg	
Izmereni nivo jačine zvuka L_{WA}	91,4 dB(A) K=2,02 dB(A)	
Nivo zvučnog pritiska kod uha rukovaoca L_{PA}	82,8 dB(A) K=2,5 dB(A)	
Garantovan nivo jačine zvuka L_{WA} (izmereno prema 2000/14/EC)	93 dB(A)	
Procena vibracije a_{rh}	Prednja pomoćna drška	0,46 m/s ² K= 1,5 m/s ²
	Zadnja drška	1,43 m/s ² K= 1,5 m/s ²

- Gornji parametri su testirani i izmereni sa pogonskom glavom PH1400E.
- Deklarisana ukupna vrednost vibracije je izmerena u skladu sa standardnim metodom testiranja i može se koristiti za upoređivanje jednog alata sa drugim;
- Deklarisana ukupna vrednost vibracije može se koristiti u preliminarnoj proceni izlaganja.

SR

NAPOMENA: Emisija vibracija tokom stvarne upotrebe električnog alata može da se razlikuje od deklarisanе vrednosti u kojoj se alat koristi. Da bi se rukovalac zaštitio, korisnik bi trebalo da nosi rukavice i štitnike za uši u stvarnim uslovima korišćenja.

POPIS PAKOVANJA

NAZIV DELA	KOLIČINA
Dodatak četke sa čekinjama	1
Valjak četke	2
Pogonska osovina	2
Štitnik (sa zavrtnjem)	1
Inbus ključ	1
Osigurač	2
Igla za zaključavanje	2
Priručnik za rukovaoca	1

OPIS

UPOZNAJTE SVOJ DODATAK ČETKE SA ČEKINJAMA (slika A)

1. Krajnja kapica
2. Vratilo dodatka četke sa čekinjama
3. Štitnik
4. Valjak četke
5. Menjač brzina
6. Osigurač
7. Inbus ključ

SKLAPANJE

⚠ UPOZORENJE: Ako su neki delovi oštećeni ili nedostaju, nemojte koristiti ovaj proizvod dok delovi ne budu zamenjeni. Korišćenje ovog proizvoda sa oštećenim ili nedostajućim delovima može dovesti do ozbiljnih telesnih povreda.

⚠ UPOZORENJE: Ne pokušavajte da modifikujete ovaj proizvod ili da pravite dodatke koji nisu preporučeni za korišćenje sa ovom mašinom. Svaka takva promena ili modifikacija je zloupotreba i može dovesti do opasnih uslova koji mogu da dovedu do ozbiljnih telesnih povreda.

⚠ UPOZORENJE: Da biste sprečili nehotično pokretanje koje bi moglo izazvati ozbiljne telesne povrede, uvek izvucite konektor baterije iz utičnice kada sklapate delove.

⚠ UPOZORENJE: Ne spajajte četku sa čekinjama na pogonsku glavu dok sklapanje ne bude završeno. Nepridržavanje toga može izazvati nehotično pokretanje i ozbiljne telesne povrede.

MONTIRANJE ŠTITNIKA

⚠ UPOZORENJE: Instalirajte štitičnik pre no što spojite dodatak četke sa čekinjama na pogonsku glavu.

1. Priloženim inbus ključem olabavite i skinite zavrtanj sa štitičnika (slika B).
2. Podignite vratilo dodatka četke sa čekinjama i skinite krajnju kapicu sa vratila.
3. Sa prerezom na štitičniku poravnajte sa rebrom na kraju vratila, navucite štitičnik na vratilo dok rupe za vijke na štitičniku i na vratilu ne budu poravnate (slika C i D).

Opis delova sa slike C i D pogledajte ispod:

C-1	Prez
C-2	Rebro
D-1	Zavrtanj

4. Pomoću priloženog inbus ključa zategnite zavrtanj u smeru kazaljke na satu da biste čvrsto fiksirali štitičnik.

MONTIRANJE VALJAKA ČETKE

1. Gurnite pogonsku osovinu na pogonjeno vratilo (slika E).

Opis delova sa slike E pogledajte ispod:

E-1	Pogonjeno vratilo
E-2	Pogonska osovina

2. Da biste pričvrstili pogonsku osovinu na pogonjeno vratilo, umetnite iglu za zaključavanje u rupu za zaključavanje.

NAPOMENA: Igla za zaključavanje treba da bude instalirana na svoje mesto (slika F).

Opis delova sa slike F pogledajte ispod:

F-1	Igla za zaključavanje
F-2	Rupa za zaključavanje

3. Pratite iste korake da biste montirali drugu pogonsku osovinu.
4. Gurnite valjak četke na pogonsku osovinu (slika G).

Opis delova sa slike G pogledajte ispod:

G-1	Valjak četke
G-2	Pogonska osovina

5. Umetnite osigurač u rupu na kraju da biste pričvrstili valjak četke na pogonsku osovinu (slika H).

Opis delova sa slike H pogledajte ispod:

H-1	Osigurač
-----	----------

6. Pratite iste korake da biste montirali drugi valjak četke.

POVEZIVANJE DODATKA ČETKE SA ČEKINJAMA NA POGONSKU GLAVU

⚠ UPOZORENJE: Nikad ne pričvršćujte niti podešavajte nijedan dodatak dok pogonska glava radi ili dok je baterija instalirana. Ako ne zaustavite motor i ne izvadite bateriju, to može da izazove ozbiljne telesne povrede.

Ovaj dodatak četke sa čekinjama je dizajniran za korišćenje sa EGO pogonskom glavom PH1400E

1. Zaustavite motor i izvadite bateriju
2. Olabavite leptir navrtanj na spojnici pogonske glave.
3. Ako se krajnja kapica nalazi na vratilu dodatka, skinite je i sačuvajte je na bezbednom mestu za kasniju upotrebu.

Poravnajte strelicu na vratilu četke sa čekinjama sa strelicom na spojnici (slika I) i gurnite vratilo četke sa čekinjama u spojnicu dok ne čujete jasan zvuk „KLIK“ (slika J).

Opis delova sa slike I pogledajte ispod:

I-1	Dugme za otpuštanje vratila
I-2	Strelica na spojnici
I-3	Leptir navrtanj
I-4	Strelica na vratilu dodatka
I-5	Crvena linija

Opis delova sa slike J pogledajte ispod:

J-1	Crvena linija
-----	---------------

4. Blago povucite vratilo dodatka četke sa čekinjama da biste proverili da li je čvrsto zaključano u spojnici. Ako nije, pomerajte vratilo četke sa čekinjama napred i nazad u spojnici dok ne čujete jasan „KLIK“ zvuk koji ukazuje da se zakačilo.
5. Čvrsto zategnite leptir navrtanj.

⚠ UPOZORENJE: Vodite računa da leptir zavrtanj na spojnici bude sasvim zategnut pre rukovanja opremom; periodično proveravajte njegovu zategnutost tokom upotrebe da biste izbegli ozbiljne telesne povrede.

UKLANJANJE DODATKA SA POGONSKE GLAVE

1. Zaustavite motor i izvadite bateriju.
2. Olabavite leptir navrtanj.
3. Dok pritisćate dugme za otpuštanje vratila, izvucite ili izvrtite vratilo dodatka četke sa čekinjama iz spojnice da biste ga skinuli sa pogonske glave.

UKOVANJE

⚠ UPOZORENJE: Ne dovolite da zbog poznavanja ovog proizvoda postanete nemarni. Zapamtite da je delić sekunde nepažnje dovoljan da nanese ozbiljnu povredu.

⚠ UPOZORENJE: Uvek nosite zaštitne naočare i zaštitu za sluh. Nepridravanje toga može dovesti do predmeta izbačenih prema očima i drugih ozbiljnih povreda.

⚠ UPOZORENJE: Ne koristite nikakve dodatke ili pribor koje nije preporučio proizvođač ovog proizvoda. Upotreba dodataka ili pribora koji nisu preporučeni može da dovede do ozbiljne telesne povrede.

PRIMENA

Možete koristiti ovaj proizvod za svrhu navedenu ispod:

- Čišćenje površina i staza, obuhvatajući neravne površine i površine sa spojevima.
- Čišćenje prilaza, trotoara i dvorišta od ploča/betona/asfalta.

⚠ UPOZORENJE: Obucite se prikladno da biste smanjili rizik od povrede dok koristite ovaj alat. Ne nosite labavu odeću ili nakit. Nosite zaštitu za oči. Nosite duge radne pantalone, duboke cipele i rukavice. Ne nosite kratke pantalone, sandale, papuče i ne radite bosi. Ako je površina koju ćete čistiti suva, poprskajte je vodom da biste smanjili količinu prašine koja će nastati.

Treba da pomerate četku sa čekinjama unapred. Držite četku sa čekinjama sa jednom rukom na zadnjoj drški a drugom rukom na prednjoj pomoćnoj drški. Održavajte čvrst hvat sa obe ruke tokom rukovanja četkom sa čekinjama.

Držite i navodite četku sa čekinjama pod plitkim uglom. Ako se četka sa čekinjama drži pod suviše strmim uglom, ima tendenciju guranja unazad prema rukovaocu.

Održavajte hvat i održavajte ravnotežu na obe noge (slika K).

Izbačeni materijal može ozbiljno da povredi rukovaoca ili prolaznike. Da biste smanjili rizik od telesnih povreda, važno je da preduzmete sledeće mere predostrožnosti:

- Uvek držite četku sa čekinjama sa obe ruke tokom rukovanja. Koristite čvrst hvat na obe drške.
- Pomerite četku sa čekinjama do površine za rad pre pokretanja i pokrenite je na manjoj brzini.
- Da biste smanjili rizik od povreda zbog gubitka kontrole, držite i navodite četku sa čekinjama pod plitkim uglom. Ako se četka sa čekinjama drži pod suviše strmim uglom, ima tendenciju guranja unazad prema rukovaocu.

SR

Pre svake upotrebe proverite da li ima oštećenih/pohabanih delova.

Proverite valjak četke, štitnik, prednju pomoćnu dršku i pogonsku osovinu i zamenite sve delove koji su naprsli, iskrivljeni, savijeni ili na bilo koji način oštećeni.

Očistite četku sa čekinjama posle svake upotrebe

Pogledajte odeljak Održavanje za uputstva za čišćenje.

ZA POKRETANJE/ZAUSTAVLJANJE ALATA

Pogledajte odeljak „POKRETANJE/ZAUSTAVLJANJE POGONSKE GLAVE“ u priručniku za rukovaoca za pogonsku glavu PH1400E.

ODRŽAVANJE

⚠ UPOZORENJE: Tokom servisiranja, koristite samo identične rezervne delove. Upotreba bilo kakvih drugih delova može da dovede do opasnosti ili da izazove oštećenje proizvoda. Da bi se osigurala sigurnost i pouzdanost, sve popravke treba da radi kvalifikovani servisni tehničar.

⚠ UPOZORENJE: Alati na baterije ne moraju da budu uključeni u utičnicu; oni su stoga uvek u radnom stanju. Da biste sprečili ozbiljne telesne povrede, budite veoma oprezni i pažljivi kad radite održavanje, servisiranje ili kad menjate dodatak za sečenje ili druge dodatke.

⚠ UPOZORENJE: Da biste sprečili ozbiljne telesne povrede, izvadite bateriju iz pogonske glave i sačekajte da se valjak četke zaustavi pre servisiranja, čišćenja, menjanja dodataka ili kad se proizvod ne koristi.

OPŠTE ODRŽAVANJE

⚠ UPOZORENJE: Nemojte ni u kom trenutku dozvoliti da kočiona tečnost, benzin, proizvodi na bazi benzina, penetraciono ulje itd. dođu u kontakt sa plastičnim delovima. Hemikalije mogu da oštete, oslabe ili unište plastiku, što može da dovede do ozbiljne telesne povrede.

⚠ UPOZORENJE: Kad čistite dodatak četke sa čekinjama, NE potapajte ga u vodu ili druge tečnosti. Ne čistite mašinu peraćem pod pritiskom. Jak mlaz vode može da ošteti delove mašine.

ODRŽAVANJE VALJKA ČETKE

- Često čistite valjak četke.
- Ako bilo koji od valjaka četke treba zameniti zbog oštećenja, zamenite oba valjka četke radi najboljeg učinka.

Svo servisiranje četke sa čekinjama, osim stavki navedenih u ovom uputstvu za održavanje, treba da radi osoblje ovlašćenog servisa.

ZAMENA VALJAKA ČETKE

⚠ UPOZORENJE: Oštećen valjak četke može da se raspadne na komadiće nakon dugotrajne upotrebe, što može da stvori opasne projekte. Izbačeni predmeti mogu da izazovu ozbiljnu povredu. Redovno je pregledajte i ne rukujte četkom sa čekinjama sa pohabanim ili oštećenim delovima.

Za uklanjanje (slika L)

- Izvadite osigurač sa kraja pogonske osovine.
- Svucite valjak četke, zajedno sa pločom poklopca na njemu, sa pogonske osovine.
- Ako je pogonska osovina oštećena, izvadite iglu za zaključavanje iz rupe na pogonskoj osovini i svucite pogonsku osovину sa pogonjenog vratila (slika M).
- Ako je ploča poklopca oštećena, svucite je sa valjka četke i zamenite je.
- Pratite iste korake da biste uklonili drugi valjak četke.

Opis delova sa slike L pogledajte ispod:

L-1	Pogonjeno vratilo	L-4	Osigurač
L-2	Igla za zaključavanje	L-5	Ploča poklopca
L-3	Valjak četke	L-6	Pogonska osovina

Za instalaciju

- Instalirajte pogonsku osovину na pogonjeno vratilo i umetnite iglu za zaključavanje u rupu na pogonskoj osovini (pogledajte sliku F).
- Instalirajte ploču poklopca na valjak četke tako da rebro na ploči poklopca bude poravnato sa rupom na valjku četke (slika N).

Opis delova sa slike N pogledajte ispod:

N-1	Rupa
N-2	Rebro

- Gurnite valjak četke na pogonsku osovину (pogledajte sliku G).
- Umetnite osigurač u rupu na kraju pogonske osovine i namestite ga ravno.
- Pratite iste korake da biste montirali drugi valjak četke.

⚠ UPOZORENJE: Uvek zamenite oba valjka četke u isto vreme.

ČIŠĆENJE JEDINICE

- Izvadite bateriju.

- Očistite komade korenja, grumenje zemlje ili biljke sa valjaka četke, štitnika ili menjača brzina. Za temeljno čišćenje, skinite valjke četke i štitnik da biste ih temeljno oprali. Za detaljne korake vraćanja na mesto, pogledajte odeljak iznad „ZAMENA VALJAKA ČETKE“.

- Održavajte otvore za vazduh bez prepreka.

SKLADIŠTENJE JEDINICE

- Izvadite bateriju iz alata.
- Temeljno očistite alat i pregledajte valjke četke.
- Skinite dodatak četke sa čekinjama sa pogonske glave i pokrijte vratilo dodatka krajnjom kapicom da biste izbegli ulaženje prljavštine u spojnicu.
- Skladištite alat na suvom, dobro provetrenom mestu, zaključan ili na visini, van domašaja dece. Ne skladištite jedinicu na ili pored đubriva, benzina ili drugih hemikalija.

Zaštita životne sredine



Ne odlazite električnu opremu, punjače baterija i baterije/punjive baterije u kućni otpad! Prema evropskom zakonu 2012/19/EU, električna i elektronska oprema koja više nije upotrebljiva, te prema evropskom zakonu 2006/66/EC, defektne ili ispražnjene baterije, moraju se prikupljati zasebno. Ako se električni aparati odlazu na deponije ili đubrišta, opasne supstance mogu da iscuru u podzemne vode i dospeju u lanac ishrane, nanoseći štetu vašem zdravlju i dobrobiti.

REŠAVANJE PROBLEMA

PROBLEM	UZROK	REŠENJE
Četka sa čekinjama se ne pokreće.	<ul style="list-style-type: none"> ■ Baterija nije pravilno spojena na pogonsku glavu. ■ Nema električnog kontakta između pogonske glave i baterije. ■ Baterija je prazna. ■ Poluga za zaključavanje i okidač na pogonskoj glavi nisu pritisnuti istovremeno. ■ I dalje se ne pokreće mimo gornjih razloga. 	<ul style="list-style-type: none"> ■ Spojite bateriju na trimer. ■ Izvadite bateriju, proverite kontakte i ponovo instalirajte bateriju tako da škljocne na svoje mesto. ■ Napunite bateriju EGO punjačem navedenim u ovom priručniku. ■ Pritisnite polugu za zaključavanje i držite je, zatim pritisnite okidač za uključivanje. ■ Obratite se EGO korisničkoj službi.
Četka sa čekinjama je vidljivo oštećena.	<ul style="list-style-type: none"> ■ Abnormalno oštećenje tokom transporta ili upotrebe. 	<ul style="list-style-type: none"> ■ Obratite se EGO korisničkoj službi.
Četka sa čekinjama se zaustavlja tokom četkanja.	<ul style="list-style-type: none"> ■ Motor je preopterećen. ■ Baterija ili pogonska glava su prevrući. ■ Baterija se odvojila od alata. ■ Baterija je prazna. ■ I dalje se ne pokreće mimo gornjih razloga. 	<ul style="list-style-type: none"> ■ Motor će se ponovo pokrenuti kad se opterećenje ukloni. Za neprestan rad, smanjite opterećenje na četku sa čekinjama. ■ Ostavite bateriju ili pogonsku glavu da se hlade dok njihova temperatura ne padne ispod 67 °C. ■ Ponovo instalirajte bateriju. ■ Napunite bateriju EGO punjačem navedenim u ovom priručniku. ■ Obratite se EGO korisničkoj službi.

GARANCIJA

EGO POLITIKA GARANCIJE

Posetite veb-lokaciju egopowerplus.com za potpune uslove i odredbe EGO politike garancije.

PROČITAJTE UPUTSTVO U CIJELOSTI!



PROČITAJTE KORISNIČKI PRIRUČNIK.

⚠ Preostale opasnosti! Osobe s elektroničkim uređajima poput srčanih elektrostimulatora prije upotrebe ovog proizvoda trebaju se posavjetovati sa svojim ljekarom. Rad električne opreme u neposrednoj blizini srčanih elektrostimulatora može uzrokovati smetnju ili kvar srčanog elektrostimulatora.

⚠ UPOZORENJE! Radi osiguranja sigurnosti i pouzdanosti, sve popravke i zamjene treba obavljati kvalifikovani servisni tehničar.

SIGURNOSNI SIMBOL

Svrha sigurnosnih simbola je skretanje pažnje na moguće opasnosti. Sigurnosni simboli i njihova objašnjenja zahtijevaju vašu potpunu pažnju i razumijevanje. Sami simboli upozorenja sami po sebi ne isključuju opasnost. Uputstva i upozorenja koja pružaju nisu zamjena za propisne mjere za prevenciju nesreća.

⚠ UPOZORENJE! Prije upotrebe ovog alata pobrinite se da sva sigurnosna uputstva u ovom korisničkom priručniku, uključujući sve sigurnosne simbole kao što su "OPASNOST", "UPOZORENJE" i "OPREZ" pročitate s razumijevanjem. Zanemarivanje svih uputstava navedenih u nastavku može rezultirati strujnim udarom, požarom i/ili teškim tjelesnim povredama.

ZNAČENJE SIMBOLA

⚠ SIGURNOSNI SIMBOL UPOZORENJA: ukazuje na **OPASNOST, UPOZORENJE ILI OPREZ** i može se upotrebljavati u kombinaciji s drugim simbolima ili piktogramima.



⚠ UPOZORENJE! Rukovanje električnim alatima može rezultirati odbacivanjem stranih predmeta u oči, što opet može izazvati teška oštećenja očiju. Prije početka rukovanja električnim alatom, uvijek nosite zatvorene zaštitne naočale ili zaštitne naočale s bočnim štitnicima, a prema potrebi i štitnik za cijelo lice. Preporučujemo nošenje sigurnosne maske proizvođača Wide Vision preko naočala, ili nošenje standardnih zaštitnih naočala s bočnim štitnicima.

SIGURNOSNA UPUTSTVA

Na ovoj stranici slikovno su prikazani i objašnjeni sigurnosni simboli koji se mogu pojaviti na ovom proizvodu. Prije pokušaja sastavljanja i rukovanja, s razumijevanjem pročitajte sva uputstva na proizvodu i pridržavajte ih se.

	Simbol upozorenja	Ukazuje na potencijalnu opasnost od tjelesnih povreda.
	Pročitajte korisnički priručnik.	Radi smanjenja opasnosti od povreda, prije upotrebe ovog proizvoda korisnik treba s razumijevanjem pročitati ovaj korisnički priručnik.
	Nosite zaštitu za oči.	Kada upotrebljavate ovaj proizvod, uvijek nosite zatvorene zaštitne naočale ili zaštitne naočale s bočnim štitnicima i štitnik za cijelo lice.
	Posmatrače držite na udaljenosti	Držite druge prisutne osobe na sigurnoj udaljenosti
	Nosite zaštitne rukavice.	Kada rukujete noževima zaštitite ruke rukavicama. Neklizajuće rukavice za teške uslove rada poboljšavaju zahvat i štite ruke.
	Nosite sigurnosnu obuću.	Kada upotrebljavate ovu opremu nosite neklizajuću sigurnosnu obuću.
	Povratni udar	Odbačeni predmeti mogu odskočiti i rezultirati tjelesnim povredama ili materijalnom štetom.
	Ne izlažite uređaj kiši.	Uređaj nemojte upotrebljavati na kiši ili nemojte ga ostavljati na otvorenom kada pada kiša.
	Oznaka CE	Ovaj proizvod je u skladu s primjenjivim Direktivama EU.
	WEEE	Otpadni električni proizvodi ne smiju se odlagati s otpadom iz domaćinstva. Odnosite ih u ovlaštenu centar za reciklažu.
	Buka	Zagarantovani nivo zvučne snage. Emisija buke u okruženju u skladu je s Direktivom Evropske unije.
V	Volt	Napon
mm	Milimetar	Dužina ili dimenzija
kg	Kilogram	Masa

OPĆA SIGURNOSNA UPOZORENJA ZA ELEKTRIČNE ALATE

⚠ UPOZORENJE! Pročitajte sva sigurnosna upozorenja, uputstva, sve ilustracije i specifikacije isporučene s ovim električnim alatom. Zanemarivanje svih uputstava navedenih u nastavku može rezultirati strujnim udarom, požarom i/ili teškim povredama.

Sačuvajte sva upozorenja i uputstva za buduće potrebe.

SIGURNOST RADNOG PODRUČJA

- Radno područje održavajte čistim i dobro osvijetljenim. Pretrpana ili mračna područja izazivaju nesreće.
- Električni alat nemojte upotrebljavati u eksplozivnim atmosferama, kao na primjer u prisutnosti zapaljivih tekućina, plinova ili prašine. Električni alat stvara iskre koje mogu zapaliti prašinu ili isparenja.
- Djecu i posmatrača držite podalje tokom rada s električnim alatom. Ometanja mogu rezultirati gubitkom kontrole nad alatom.

ELEKTRIČNA SIGURNOST

- Električni alat nemojte izlagati kiši ili mokrim uslovima. Prodiranje vode u električni alat povećat će rizik od strujnog udara.

LIČNA SIGURNOST

- Budite oprezni, gledajte šta radite i koristite se uobičajenim osjećajem kada radite s električnim alatom. Nemojte upotrebljavati električni alat kada ste umorni ili pod uticajem opojnih sredstava, alkohola ili lijekova. Trenutak nepažnje tokom rada s električnim alatima može rezultirati teškim tjelesnim povredama.
- Uvijek upotrebljavajte ličnu zaštitnu opremu. Lična zaštitna oprema poput zaštite za oči, maske za zaštitu od prašine, neklizajuće sigurnosne obuće, zaštitne kacige i/ili zaštite za sluh upotrijebljena za odgovarajuće uslove smanjit će tjelesne povrede.
- Spriječite nenamjerno pokretanje. Prije spajanja na izvor napajanja i/ili komplet baterija, uzimanja ili nošenja alata uvjerite se da se prekidač nalazi u isključenom položaju. Nošenje električnih alata s prstom na prekidaču ili napajanje električnih alata koji imaju uključen prekidač izaziva nesreće.
- Prije uključivanja električnog alata uklonite sve ključeve za podešavanje ili ključeve. Ključ ili ključ za podešavanje ostavljen pričvršćen na rotacijski dio električnog alata može rezultirati tjelesnim povredama.

- Nemojte se previše naginjati prema naprijed. Cijelo vrijeme održavajte propisno držanje i ravnotežu. To će omogućiti bolju kontrolu nad električnim alatom u neočekivanim situacijama.
- Obucite se prikladno. Nemojte nositi široku odjeću ili nakit. Kosu, odjeću i rukavice uvijek držite podalje od dijelova koji se kreću. Dijelovi koji se kreću mogu zahvatiti široku odjeću, nakit ili dugu kosu.
- Ako su uređaji namijenjeni za spajanje sistema za izvlačenje i sakupljanje prašine, pobrinite se da se propisno spoje i upotrebljavaju. Upotrebom uređaja za sakupljanje prašine mogu se smanjiti opasnosti koje se odnose na prašinu.
- Nemojte dozvoliti da vas poznavanje alata stečeno čestom upotrebom učini samopodapnim pa da ignorirate sigurnosne principe za alat. Nemarne radnje u djeliću sekunde mogu rezultirati teškim povredama.

UPOTREBA I NJEGA ELEKTRIČNOG ALATA

- Nemojte preopterećavati električni alat. Upotrebljavajte ispravan električni alat za svoju primjenu. Ispravan električni alat bolje će i sigurnije odraditi posao pri brzini za koju je predviđen.
- Nemojte upotrebljavati električni alat ako ga prekidač ne uključuje i isključuje. Svaki električni alat koji se ne može kontrolisati prekidačem opasan je i potrebno ga je popraviti.
- Ako je odvojiv, komplet baterija izvadite iz električnog alata i/ili aktivirajte uređaj za deaktivaciju baterije prije čišćenja zaglavljene materijala, obavljanja radova podešavanja, zamjene pribora, čišćenja ili skladištenja električnog alata. Takve preventivne sigurnosne mjere smanjuju rizik od iznenadnog pokretanja električnog alata.
- Nekorišteni električni alat skladištite izvan dohvata djece i nemojte dozvoliti da osobe koje ne poznaju električni alat ili ova uputstva rade s električnim alatom. Električni alati opasni su u rukama neobučениh korisnika.
- Održavajte električne alate i dodatnu opremu. Provjerite jesu li pokretni dijelovi centrirani ili spojeni, ima li polomljenih dijelova i postoji li stanje koje može uticati na rad električnog alata. Ako je oštećen, električni alat dajte na popravak prije upotrebe. Loše održavani električni alati i pribor uzrok su mnogih nesreća.
- Rezne alate održavajte oštrima i čistima. Propisno održavani rezni alati s oštrim reznim rubovima vjerovatno se neće spajati i lakši su za upravljanje.

- **Električni alat, dodatnu opremu i alatne nastavke, itd., upotrebljavajte u skladu s ovim uputstvima, uzimajući u obzir radne uslove i posao koji je potrebno obaviti.** Upotreba električnog alata za radove drukčija od namjenske može rezultirati opasnim situacijama.
- **Rukohvate i površinu rukohvata održavajte suhim, čistim i očišćenim od ulja i masti.** Skliski rukohvati i skliske površine rukohvata onemogućuju sigurno rukovanje i upravljanje alatom u neočekivanim situacijama.

UPOTREBA I NJEGA BATERIJSKOG ALATA

- **Punjenje obavljajte samo s punjačem kojeg je naveo proizvođač.** Punjač koji je prikladan za jedan tip kompleta baterija može stvoriti rizik od požara ako ga se upotrebljava s drugim kompletom baterija.
- **Električni alat upotrebljavajte samo s izričito navedenim kompletima baterija.** Upotreba drugih kompleta baterija može stvoriti rizik od povreda i požara.
- **Kada se komplet baterija ne upotrebljava, držite ga podalje od drugih metalnih predmeta poput spajalica za papir, kovanica, ključeva, eksera, vijaka ili drugih malih metalnih predmeta koji mogu međusobno spojiti kontakte.** Kratko spajanje baterijskih kontakata može uzrokovati opekotine ili požar.
- **U slučaju pogrešne upotrebe, baterija može izbaciti tekućinu; izbjegavajte kontakt. Ako slučajno dođe do kontakta, odnosna mjesta isperite vodom. Ako tekućina dođe u kontakt s očima, dodatno potražite pomoć ljekara.** Tekućina koju izbaci baterija može uzrokovati nadražaj kože ili opekotine.
- **Nemojte upotrebljavati oštećen ili modifikovan komplet baterija ili alat.** Oštećene ili modifikovane baterije mogu pokazati nepredvidivo ponašanje koje može rezultirati požarom, eksplozijom ili opasnošću od povreda.
- **Komplet baterija ili alat nemojte izlagati vatri ili previsokoj temperaturi.** Izlaganje vatri ili temperaturi višoj od 100 °C može uzrokovati eksploziju.
- **Pridržavajte se svih uputstava za punjenje i komplet baterija ili alat nemojte puniti izvan okvira opsega temperature navedenog u uputstvima.** Nepropisno punjenje ili punjenje pri temperaturama izvan okvira određenog opsega može oštetiti bateriju i povećati opasnost od požara.

OSTALA SIGURNOSNA UPOZORENJA

Obuka

- Pažljivo pročitajte uputstvo. Upoznajte se s upravljačkim elementima i propisnom upotrebom uređaja.
- Nemojte nikada dozvoliti da osobe koje nisu pročitale ova uputstva ili djeca upotrebljavaju uređaj. Lokalni propisi mogu ograničavati starosnu dob rukovaoca.
- Uređaj nemojte nikada upotrebljavati kada se u blizini nalaze osobe, a posebno djeca ili kućni ljubimci.
- Napominjemo da je rukovalac ili korisnik odgovoran za nesreće ili opasnosti za druge osobe ili njihovu imovinu.

Priprema

- Tokom rada uvijek nosite čvrstu obuću i dugačke hlače. Opremu nemojte upotrebljavati kada ste bos ili kada nosite otvorenu obuću.
- Detaljno pregledajte područje na kojem ćete upotrebljavati opremu i uklonite sve predmete koje uređaj može odbaciti.
- Prije upotrebe uvijek vizuelno provjerite da li je alat istrošen ili oštećen. Zamijenite istrošene ili oštećene elemente i vijke u kompletima radi održavanja ravnoteže.

Rad

- Nemojte pogoniti motor u ograničenom prostoru gdje se mogu akumulirati opasna isparenja ugljen-monoksida.
- Radite samo na dnevnom svjetlu ili pri dobrom umjetnom osvjetljenju.
- Uvijek osigurajte dobro uporište na nagibima.
- Hodajte, nemojte nikada trčati s uređajem.
- Ako upotrebljavate rotacione uređaje s točkovima, na nagibima radite poprečno, nikada gore-dolje.
- Budite vrlo oprezni kada mijenjate smjer na nagibima.
- Nemojte raditi na vrlo strmim nagibima.
- Budite vrlo oprezni kada uređaj okrećete ili povlačite prema sebi.
- Nemojte mijenjati postavke regulatora broja okretaja motora ili nemojte pogoniti motor pri prevelikom broju okretaja.
- Pažljivo pokrenite motor u skladu s uputstvima koje je priložio proizvođač i sa stopalima dobro odmaknutim od alata.
- Ne stavljajte šake ili stopala u blizini ili ispod rotirajućih dijelova.
- Nemojte nikada podizati ili nositi uređaj dok motor radi.

RAD NA NAGIBU

Nagibi su glavni faktor za kojeg su vezane nezgode uslijed sklizavanja i padova koji mogu rezultirati teškim povredama. Uvijek osigurajte dobro uporište na nagibima. Rad na nagibima zahtijeva dodatni oprez. Ako se na nagibu osjećate nesigurno, nemojte raditi na njemu.

- Pazite na rupe, brazde, kamenje, skrivene predmete ili neravnine zbog kojih se možete okliznuti ili spotaknuti. Visoka trava može skrivati prepreke.

SERVISIRANJE

- **Servisiranje električnog alata prepustite kvalifikovanom osoblju za popravak koje upotrebljava samo identične zamjenske dijelove.** Time će se osigurati održavanje sigurnosti električnog alata.
- **Nemojte nikada servisirati oštećene komplete baterija.** Servisiranje kompleta baterija smiju obavljati samo proizvođač ili ovlašteni serviseri.

UPOZORENJE! Pročitajte sva sigurnosna upozorenja, uputstva, sve ilustracije i specifikacije isporučene s ovim električnim alatom. Zanemarivanje svih uputstava navedenih u nastavku može rezultirati strujnim udarom, požarom i/ili teškim povredama. Sačuvajte sva upozorenja i uputstva za buduće potrebe.

- Upotrebljavajte samo s kompletima baterija i punjačima koji su navedeni na sl. A.

SAČUVAJTE OVA UPUTSTVA!

TEHNIČKI PODACI

Prečnik bubnja četke	250 mm
Pojas čišćenja	560 mm
Preporučena radna temperatura	-15 °C - 40 °C
Preporučena temperatura skladištenja	-20 °C - 70 °C
Masa (uključujući štitičnik)	5,05 kg
Izmjereni nivo zvučne snage L_{WA}	91,4 dB(A) K = 2,02 dB(A)
Nivo zvučnog pritiska kod uha rukovodaca L_{PA}	82,8 dB(A) K = 2,5 dB(A)
Zagarantovani nivo zvučne snage L_{WA} (izmjereno u skladu s Direktivom 2000/14/EZ)	93 dB(A)

Procjena vibracija a_h	Prednji pomoćni rukohvat	0,46 m/s ² K = 1,5 m/s ²
	Stražnji rukohvat	1,43 m/s ² K = 1,5 m/s ²

- Gore navedeni parametri ispitani su i izmjereni za uređaj opremljen pogonskom jedinicom PH1400E.
- Deklarisane ukupne vrijednosti vibracija izmjerene su u skladu sa standardnom metodom ispitivanja i mogu se primjenjivati za poređenje jednog alata sa drugim.
- Deklarisane ukupne vrijednosti vibracija mogu se primjenjivati i u preliminarnoj procjeni izloženosti.

NAPOMENA! Emisija vibracija tokom aktualne upotrebe električnog alata može se razlikovati od deklarirane vrijednosti u kojoj se alat upotrebljavao; Korisnik radi zaštite treba nositi rukavice i štitičnike za uši u aktualnim uslovima upotrebe.

LISTA PAKOVANJA

NAZIV DIJELA	KOLIČINA
Priključak četke kultivatora	1
Valjak četke	2
Pogonska osovina	2
Štitičnik (s vijkom)	1
Allen ključ	1
Utična osovina	2
Blokirni klin	2
Korisnički priručnik	1

OPIS

UPOZNAJTE SVOJ PRIKLJUČAK ČETKE KULTIVATORA (sl. A)

1. Krajnja kapica
2. Drška priključka četke kultivatora
3. Štitičnik
4. Valjak četke
5. Kućište prijenosnika
6. Utična osovina
7. Allen ključ

⚠ UPOZORENJE! Ako je bilo koji dio oštećen ili ako nedostaje, nemojte upotrebljavati ovaj proizvod dok ne zamijenite dijelove. Upotreba ovog proizvoda oštećenih dijelova ili dijelova koji nedostaju može rezultirati teškim tjelesnim povredama.

⚠ UPOZORENJE! Nemojte pokušavati da modifikujete ovaj proizvod ili da pravite pribor koji nije preporučen za upotrebu s ovim uređajem. Sve takve izmjene ili modifikacije predstavljaju nepropisnu upotrebu i mogu rezultirati opasnim stanjima koja mogu dovesti do mogućih teških tjelesnih povreda.

⚠ UPOZORENJE! Radi sprečavanja iznenadnog pokretanja koje može uzrokovati teške tjelesne povrede, uvijek isključite konektor baterije iz utičnice kada postavljate dijelove.

⚠ UPOZORENJE! Nemojte priključivati četku kultivatora na pogonsku jedinicu dok ne završite montažu. Nepostupanje u skladu s tim može rezultirati iznenadnim pokretanjem i mogućim teškim tjelesnim povredama.

POSTAVLJANJE ŠTITNIKA

⚠ UPOZORENJE! Štitnik postavite prije priključivanja priključka četke kultivatora na pogonsku jedinicu.

- Otpustite i izvadite vijak iz štitnika pomoću priloženog Allen ključa (sl. B).
- Podignite dršku priključka četke kultivatora i skinite krajnju kapicu s drške.
- S otvorom u štitniku poravnajte s rebrom na kraju drške, provucite dršku kroz štitnik tako da provrti za vijke u štitniku i u dršci budu poravnati (sl. C i D).

Opis dijelova na sl. C i D pogledajte u nastavku:

C-1	Utor
C-2	Rebro
D-1	Vijak

4. Za pritezanje vijka u smjeru kretanja kazaljki na satu radi pričvršćivanja štitnika upotrebite priloženi Allen ključ.

POSTAVLJANJE VALJAKA ČETKE

- Gurnite pogonsku osovinu na pogonjenu osovinu (sl. E).
Opis dijelova na sl. E pogledajte u nastavku:

E-1	Pogonjena osovina
E-2	Pogonska osovina

2. Za pričvršćivanje pogonske osovine na pogonjenu osovinu umetnite blokirni klin u otvor za blokadu.

NAPOMENA! Blokirni klin potrebno je postaviti u ležište (sl. F)

Opis dijelova na sl. F pogledajte u nastavku:

F-1	Blokirni klin
F-2	Otvor za blokadu

3. Drugu pogonsku osovinu postavite na isti način.
4. Gurnite valjak četke na pogonsku osovinu (sl. G).

Opis dijelova na sl. G pogledajte u nastavku:

G-1	Valjak četke
G-2	Pogonska osovina

5. Za pričvršćivanje valjka četke na pogonsku osovinu umetnite utičnu osovinicu u otvor na kraju (sl. H).

Opis dijelova na sl. H pogledajte u nastavku:

H-1	Utična osovinica
-----	------------------

6. Drugi valjak četke postavite na isti način.

PRIKLJUČIVANJE PRIKLJUČKA ČETKE KULTIVATORA NA POGONSKU JEDINICU

⚠ UPOZORENJE! Priključak nemojte nikada pričvršćivati ili podešavati dok pogonska jedinica radi ili kada je baterija postavljena. Zanemarivanje zaustavljanja motora i vađenja baterije može rezultirati teškim tjelesnim povredama.

Ovaj priključak četke kultivatora predviđen je za upotrebu s pogonskom jedinicom PH1400E proizvođača EGO.

- Zaustavite motor i izvadite komplet baterija.
- Otpustite krilnu maticu na spojki pogonske jedinice.
- Ako je krajnja kapica na dršci priključka, skinite je i čuvajte na sigurnom mjestu za kasniju upotrebu.

Poravnajte strelicu na dršci četke kultivatora sa strelicom na spojki (sl. I) i gurajte četku kultivatora u spojku dok ne začujete zvuk "KLIKANJA" (sl. J).

Opis dijelova na sl. I pogledajte u nastavku:

I-1	Dugme za otpuštanje drške
I-2	Strelica na spojki
I-3	Krilna matica
I-4	Strelica na dršci priključka
I-5	Crvena linija

Opis dijelova na sl. J pogledajte u nastavku:

J-1	Crvena linija
-----	---------------

4. Polako povucite dršku četke priključka kultivatora kako biste potvrdili da je dobro ulegla u spojku. Ako nije, pomjerite dršku četke kultivatora nazad i naprijed u spojnicu dok ne začujete jasan zvuk "KLIKANJA" koji ukazuje da je drška nalegala.

5. Dobro pritegnite krilnu maticu.

⚠ UPOZORENJE! Prije rukovanja opremom uvjerite se da je krilna matica na spojki potpuno pritegnuta; tokom upotrebe povremeno provjeravajte pritegnutost radi izbjegavanja teških tjelesnih povreda.

SKIDANJE PRIKLJUČKA S POGONSKE JEDINICE

1. Zaustavite motor i izvadite komplet baterija.
2. Otpustite krilnu maticu.
3. S pritisnutim dugmetom za otpuštanje drške, povucite ili zakrenite dršku četke priključka kultivatora iz spojke da je izvadite iz pogonske jedinice.

RAD

⚠ UPOZORENJE! Nemojte dozvoliti da vas poznavanje ovog proizvoda učini nepažljivim. Imajte na umu da je za nanošenje teških povreda dovoljan samo djelić sekunde nepažnje.

⚠ UPOZORENJE! Uvijek nosite zaštitu za oči, zajedno sa zaštitom za sluh. Nepostupanje u skladu s tim može rezultirati odbacivanjem predmeta u oči i drugim mogućim teškim povredama.

⚠ UPOZORENJE! Nemojte upotrebljavati priključke ili pribor koje nije preporučio proizvođač ovog proizvoda. Upotreba nepreporučenih priključaka ili pribora može rezultirati teškim tjelesnim povredama.

PRIMJENE

Ovaj proizvod možete upotrebljavati za svrhe navedene u nastavku:

- Čišćenje područja i staza, uključujući neravne i spojene površine.
- Čišćenje pločnika/betonskih/asfaltiranih puteva, staza i dvorišta.

⚠ UPOZORENJE! Obucite se propisno kako biste smanjili rizik od povreda tokom rukovanja alatom. Nemojte nositi široku odjeću ili nakit. Nosite zaštitu za oči. Nosite robusne duge hlače, cizme i rukavice. Nemojte nositi kratke hlače, sandale ili biti bosonogi.

Ako je površina za čišćenje suha, po njoj raspršite vodu kako biste smanjili količinu stvorene prašine.

Sa četkom kultivatora trebate raditi u smjeru prema naprijed. Držite četku kultivatora jednom rukom na stražnjem rukohvatu, a drugom rukom na prednjem pomoćnom rukohvatu. Tokom rukovanja četkom kultivatora rukovate čvrsto primite objema rukama.

Držite četku kultivatora i vodite je pod ravnim uglom. Ako se četka kultivatora drži pod previše oštrim uglom, ima tendenciju pritiska prema rukovaocu.

Održavajte zahvat i ravnotežu na oba stopala (sl. K).

Odbačeni materijali mogu teško povrijediti rukovaoca ili prolaznike. Radi smanjenja rizika od tjelesnih povreda, neophodno je poduzeti sljedeće mjere opreza:

- Tokom rada četku kultivatora uvijek držite objema rukama. Čvrsto primite oba rukohvata.
- Pomjerite četku kultivatora u radno područje prije pokretanja i pokrenite je pri niskoj brzini.
- Radi smanjenja rizika od povreda uslijed gubitka kontrole nad alatom, četku kultivatora držite i vodite pod ravnim uglom. Ako se četka kultivatora drži pod previše oštrim uglom, ima tendenciju pritiska prema rukovaocu.

Prije svake upotrebe provjerite ima li oštećenih/istrošenih dijelova.

Provjerite valjak četke, štitnik, prednji pomoćni rukohvat i pogonsku osovinu i zamijenite sve dijelove koji su napukli, deformisani, savijeni ili oštećeni na bilo koji način.

Očistite četku kultivatora nakon svake upotrebe.

Za uputstva za čišćenje pogledajte poglavlje Održavanje.

POKRETANJE/ZAUSTAVLJANJE ALATA

Pogledajte poglavlje "POKRETANJE/ZAUSTAVLJANJE POGONSKE JEDINICE" u korisničkom priručniku pogonske jedinice PH1400E.

ODRŽAVANJE

⚠ UPOZORENJE! Kada obavljate radove servisiranja, upotrebljavajte samo identične zamjenske dijelove. Upotreba drugih dijelova može uzrokovati opasnost ili oštećenje proizvoda. Radi osiguranja sigurnosti i pouzdanosti, sve popravke treba obavljati kvalifikovani servisni tehničar.

⚠ UPOZORENJE! Baterijske alate nije potrebno uključivati u električnu utičnicu, stoga su uvijek u radnom stanju. Radi sprečavanja teških tjelesnih povreda poduzmite dodatne mjere opreza i budite oprezni kada obavljate radove održavanja, servisiranja ili zamjene reznog priključka ili drugih priključaka.

⚠ UPOZORENJE! Radi sprečavanja teških tjelesnih povreda, prije servisiranja, čišćenja, promjene dodatnih priključaka ili kada se proizvod ne upotrebljava, izvadite komplet baterija iz pogonske jedinice i pričekajte da se valjak četke zaustavi.

OSNOVNO ODRŽAVANJE

⚠ UPOZORENJE! Nemojte nikada dozvoliti da koćione tekućine, benzin, proizvodi na bazi nafte, penetrirajuća ulja i sl., dođu u kontakt s plastičnim dijelovima. Hemikalije mogu oštetiti, oslabiti ili uništiti plastiku što može rezultirati teškim tjelesnim povredama.

⚠ UPOZORENJE! Kada čistite priključak četke kultivatora, NEMOJTE ga uranjati u vodu ili druge tekućine. Nemojte čistiti uređaj peračem pod pritiskom. Jak mlaz vode može oštetiti dijelove uređaja.

ODRŽAVANJE VALJKA ČETKE

Valjak četke čistite često.

- Ako je valjak četke potrebno zamijeniti zbog oštećenja, zamijenite oba valjka četke radi najboljeg radnog učinka.

Sve popravke četke kultivatora drukčije od navedenih u ovim uputstvima za održavanje treba obavljati ovlašteno servisno osoblje.

ZAMJENA VALJAKA ČETKE

⚠ UPOZORENJE! Oštećeni valjak četke može se polomiti u komade nakon dugotrajne upotrebe što može rezultirati stvaranjem opasnih projektila. Odbačeni predmeti mogu nanijeti teške povrede. Obavljajte redovne preglede i četku kultivatora nemojte upotrebljavati ako su dijelovi strošeni ili oštećeni.

Skidanje (sl. L)

1. Izvadite utičnu osovinicu na kraju pogonske osovine.
 2. S pogonske osovine skinite valjak četke, zajedno s pokrovnom pločicom na njemu.
 3. Ako je pogonska osovina oštećena, izvadite blokirni klin iz otvora pogonske osovine i skinite pogonsku osovinu s pogonjene osovine (sl. M).
 4. Ako je pokrovna pločica oštećena, skinite je s valjka četke i zamijenite.
 5. Drugi valjak četke skinite na isti način.
- Opis dijelova na sl. L pogledajte u nastavku:

L-1	Pogonjena osovina	L-4	Utična osovinnica
L-2	Blokirni klin	L-5	Pokrovna pločica
L-3	Valjak četke	L-6	Pogonska osovina

Postavljanje

1. Postavite pogonsku osovinu na pogonjenu osovinu i umetnite blokirni klin u otvor na pogonskoj osovini (pogledajte sl. F).
 2. Postavite pokrovnu pločicu na valjak četke s rebrom u pokrovnoj pločici u ravni s otvorom na valjku četke (sl. N).
- Opis dijelova na sl. N pogledajte u nastavku:

N-1	Otvor
N-2	Rebro

3. Gurnite valjak četke na pogonsku osovinu (pogledajte sl. G).
4. Umetnite utičnu osovinicu u otvor na kraju pogonske osovine i ravno je sklopite.
5. Drugi valjak četke postavite na isti način.

⚠ UPOZORENJE! Uvijek istovremeno zamijenite oba valjka četke.

ČIŠĆENJE JEDINICE

- Izvadite bateriju.
- Očistite komade korijenja, naslage tla ili biljaka s valjaka četke, štitnika ili kućišta prijenosnika. Za detaljno čišćenje potrebno je skinuti valjke četke i štitnik i temeljito ih isprati. Za više informacija o postupku zamjene pogledajte prethodno poglavlje "ZAMJENA VALJAKA ČETKE".
- Ventilacijske otvore držite slobodnim od prepreka.

SKLADIŠTENJE JEDINICE

- Izvadite komplet baterija iz alata.
- Temeljito očistite alat i pregledajte valjke četke.
- Skinite priključak četke kultivatora s pogonske jedinice i dršku priključka prekrijte krajnjom kapicom radi izbjegavanja prodiranja nečistoće u spojku.
- Alat skladištite na suhom, dobro prozračenom mjestu koje je moguće zaključati ili koje je na visini izvan dohvata djece. Jedinicu nemojte skladištiti na gnojivima, benzinu ili drugim hemikalijama ili u njihovoj blizini.

Zaštita životne sredine



Električnu opremu, punjač baterije i baterije/punjive baterije ne odlažite u kućni otpad! Evropska Direktiva 2012/19/EU o električnoj i elektroničkoj opremi koja više nije iskoristiva i Evropska Direktiva 2006/66/EZ zahtijevaju da se neispravni ili iskorišteni kompleti baterija/baterije moraju sakupljati zasebno. Ako se električni uređaji odlažu na odlagališta otpada ili deponije, opasne tvari mogu iscurjeti u podzemne vode i dospjeti u lanac ishrane i negativno uticati na zdravlje i dobrobit ljudi.

OTKLANJANJE PROBLEMA

PROBLEM	UZROK	RJEŠENJE
Četku kultivatora nije moguće pokrenuti.	<ul style="list-style-type: none"> ■ Komplet baterija nije propisno pričvršćen na pogonsku jedinicu. ■ Nema električnog kontakta između pogonske jedinice i kompleta baterija. ■ Komplet baterija je ispražnjen. ■ Ručica za deblokadu i okidač pogonske jedinice ne pritišću se istovremeno. ■ Još se ne pokreće izvan gore navedenih razloga. 	<ul style="list-style-type: none"> ■ Pričvrstite komplet baterija na glavu alata. ■ Izvadite bateriju, provjerite kontakte i ponovo stavite komplet baterija tako da zvučno ulegne. ■ Komplet baterija punite punjačem proizvođača EGO koji je naveden u ovom priručniku. ■ Pritisnite ručicu za deblokadu i držite je pritisnutom, a zatim pritisnite okidač za uključivanje. ■ Obratite se korisničkoj službi proizvođača EGO.
Četka kultivatora je očigledno oštećena.	<ul style="list-style-type: none"> ■ Abnormalno oštećenje tokom transporta ili upotrebe. 	<ul style="list-style-type: none"> ■ Obratite se korisničkoj službi proizvođača EGO.
Četka kultivatora zaustavlja se tokom rada.	<ul style="list-style-type: none"> ■ Motor je preopterećen. ■ Komplet baterija je previše vruć ili je pogonska jedinica previše vruća. ■ Komplet baterija je odspojen od alata. ■ Komplet baterija je ispražnjen. ■ Još se ne pokreće izvan gore navedenih razloga. 	<ul style="list-style-type: none"> ■ Motor će se povratiti po uklanjanju opterećenja. Za kontinuirani rad smanjite opterećenje na četku kultivatora. ■ Pričekajte da se komplet baterija ili pogonska jedinica ohladi na temperaturu ispod 67 °C. ■ Ponovo stavite komplet baterija. ■ Komplet baterija punite punjačem proizvođača EGO koji je naveden u ovom priručniku. ■ Obratite se korisničkoj službi proizvođača EGO.

GARANCIJA

POLITIKA GARANCIJE PROIZVOĐAČA EGO

Za sve odredbe i uslove politike garancije proizvođača EGO posjetite internetsku stranicu egopowerplus.com.

קראו את כל ההוראות!



קראו את המדריך למשתמש

⚠ סיכון שיורי! אנשים בעלי מכשירים חשמליים כגון קוצבי לב, צריכים להתייעץ עם הרופא(ים) המטפל(ים) בהם לפני השימוש במכשיר זה. הפעלה של ציוד חשמלי בקרבת קוצבי לב עלולה להפריע לפעולת הקוצב או אפילו להפסיק את פעולתו.

⚠ אזהרה: על מנת להבטיח בטיחות ואמינות, יש לבצע את כל התיקונים וההחלפות בעזרת טכנאי שירות מוסמך.

סמל בטיחות

מטרתם של סימני הבטיחות היא למשוך את תשומת לבכם אל סכנות אפשריות. סימני הבטיחות וההסברים שלהם דורשים את תשומת הלב וההבנה המלאות שלכם. סימני הבטיחות בעצמם לא ימנעו כל סכנה. ההוראות והאזהרות אותן הם מספקים לא תחלפה נקיטת אמצעי מניעה מתאימים בעת תאונה.

⚠ אזהרה: וודאו שאתם קוראים ומבינים את כל ההוראות הבטיחות המופיעות במדריך זה למשתמש, כולל את כל סימני התרעות הבטיחות כגון „סכנה“, „אזהרה“ ו-„זהירות“ לפני השימוש במכשיר זה. אי מילוי אחר כל ההוראות המופיעות למטה יכול לגרום אחריו שוק חשמלי, שרפה ו/או פגיעות חמורות.

פירוש הסימן

⚠ סימן התראת בטיחות: מצוין סכנה, אזהרה, או זהירות, יכול להיות מלווה בסימנים או תמונות אחרים.

⚠ אזהרה: הפעלה של כלי עבודה חשמליים עלולה לגרום לעצמים זרים להיזרק אל תוך העיניים, דבר העלול לגרום לנזק חמור לעיניים. לפני ההפעלה של כלי עבודה חשמלי, ענדו תמיד משקפי מגן או משקפי בטיחות עם הגנה צדדית, ובעת הצורך, הגנה עבור כל הפנים. אנו ממליצים על שימוש במסכת בטיחות רחבה מעל למשקפי המגן או על שימוש במשקפי בטיחות עם הגנה צדדית.



הוראות בטיחות

עמוד זה מצוין ומתאר את סימני הבטיחות העשויים להופיע על גבי המוצר. קראו, הבינו ועקבו אחר ההוראות המופיעות על המכשיר לפני כל ניסון להרכיב ולהשתמש בו.

	התראת בטיחות	מצוין סכנת פגיעה אישית פוטנציאלית.
	קראו את המדריך למשתמש	על מנת להפחית את הסיכון לפציעות, על המשתמש לקרוא ולהבין את המדריך למשתמש לפני השימוש במוצר זה.
	לבשו מגני עיניים	חבשו תמיד משקפי מגן או משקפי בטיחות עם הגנה צדדית, ובעת הצורך, הגנה עבור כל הפנים, בעת הפעלת מוצר זה.
	בקשו מאנשים אחרים להתרחק מן המכונה	שמרו על עוברי האורח במרחק בטוח
	התראת בטיחות	הגנו על הידיים שלכם עם כפפות בעת הטיפול בלהבים. כפפות כבדות, שאינן מחליקות, משפרות את האחיזה שלכם ומגנות על הידיים שלכם.
	קראו את המדריך למשתמש	נעלו נעלים בטוחות שאינן מחליקות בעת השימוש בציוד.
	לבשו מגני עיניים	עצמים עלולים להיות מותזים ולגרום לפגיעה אישית או לנזק לרכוש.
	לבשו מגני אזניים	אין להשתמש במזג אוויר בגשם.
	CE	מוצר זה תואם לתקנות ה-EC הרלוונטיות.
	WEEE	אין להשליך מוצרים חשמליים ביחד עם אשפה ביתית. הביאו את המכשיר למרכז מחזור מוסמך.
	רעש	רמת עוצמת קול מובטחת. פליטת רעש אל הסביבה בהתאם לתקנת האיחוד האירופי
V	וולט	מתח
mm	מילימטר	אורך או גודל
kg	קילוגרם	משקל

אזהרות בטיחות כלליות עבור כלי עבודה חשמליים

⚠ אזהרה! קראו את כל אזהרות הבטיחות, את ההוראות, התמונות והמפרטים המסופקים ביחד עם מכשיר חשמלי זה. אי מילוי כל ההוראות המופיעות למטה עלול לגרום להלם חשמלי, שרפה ו/או פציעה חמורה.

שימרו את כל האזהרות וההוראות לעיון עתיד.

בטיחות סביבת העבודה

- שימרו על סביבת העבודה נקייה ומוארת כהלכה. סביבות לא מסודרות ואפלות מזמינות תאונות.
- אל תפעילו את המכשיר החשמלי באזורים דליקים, בנוכחות נוזלים דליקים, גזים או אבק. המכשירים החשמליים מייצרים ניצוצות העלולים להצית את האבק או האדים.
- בקשו מילדים ומעוברי אורח להתרחק מן המכשיר החשמלי בעת הפעלתו. הסחות דעת עלולות לגרום לכם לאבד שליטה.

בטיחות חשמלית

- אל תחשפו את המכשיר החשמלי לגשם או לתנאים רטובים. מים הנכנסים אל המכשיר החשמלי גבירו את הסכנה להלם חשמלי.

בטיחות אישית

- הישארו דרוכים, הביטו במה שאתם עושים והשתמשו בשכל הישר כאשר אתם משתמשים במכשיר החשמלי. גא לא להשתמש במכשיר החשמלי כאשר אתם עייפים או תחת השפעה של סמים, אלכוהול או תרופות. רגע אחד של חוסר תשומת לב בעת הפעלת המכשיר החשמלי עלול לגרום לפציעה אישית חמורה.
- השתמשו תמיד בצידוד הגנה אישי. כאשר נעשה שימוש בצידוד הגנה אישי כגון הגנה לעיניים, מסכת אבק, נעלי בטיחות נגד החלקה, קסדות ו/או מגני אוזניים, בתנאים המתאימים, הדבר יפחית את הסיכון לפציעות אישיות חמורות.
- מנעו הפעלה מקרית. וודאו שהמתג נמצא במצב כבוי לפני חיבור של מקור מתח ו/או מארז הסוללה, לפני הרמת המכשיר החשמלי או נשיאתו. נשיאה של מכשירים חשמליים כאשר האצבע שלכם ממוקמת על המתג או חיבור מקורות מתח למכשירים חשמליים הנמצאים במצב פועל, מזמינים תאונות.
- הסירו כל כלי כוונן או מפתח ברגים לפני ההפעלה של המכשיר החשמלי. מפתח ברגים או כלי כוונן המוצמד אל חלק מסתובב של המכשיר החשמלי עלול לגרום לפציעה אישית חמורה.
- אל תנסו להתמתח רחוק מדי. שימרו על צעד ואיזון בטוחים בכל זמן. הדבר מאפשר שליטה טובה יותר במכשיר החשמלי במצבים לא צפויים.
- לבשו בגדים מתאימים. אל תלבשו בגדים רפויים

או תכשיטים. שימרו על השיער שלכם ועל חלקי ביגוד וכפפות הרחק מחלקים נעים. בגדים רפויים, תכשיטים או שיער ארוך עלולים להיתפס בחלקים הנעים.

- אם המכשירים מגיעים ביחד עם חיבור להוצאת אבק ומתקני איוסוף, וודאו שאלו מחוברים כהלכה והשימוש בהם נעשה באופן נכון. השימוש במתקני אבק יכול להפחית סכנות הקשורות לאבק.
- אל תאפשרו לעצמכם להיות פחות זהירים בגלל שימוש תכוף במכשיר החשמלי, אל תהיו שאננים ואל תתעלמו מעקרונות הבטיחות. פעולה לא זהירה עלולה לגרום לפציעה חמורה בשבריר שנייה.

השימוש והטיפול במכשיר החשמלי

- אל תפעילו כוח על המכשיר החשמלי. השתמשו במכשיר החשמלי המיועד למטרה שלכם. המכשיר החשמלי הנכון יבצע את עבודתו בצורה טובה ובטוחה יותר בקצב בו הוא תוכנן לפעול.
- אל תשתמשו במכשיר החשמלי אם מתג ההפעלה והכביי איננו פועל. כל מכשיר חשמלי אשר לא ניתן לשלוט בו בעזרת המתג הוא מסוכן ויש לתקן אותו.
- הסירו את מארז הסוללה מן המכשיר החשמלי, אם ניתן, ו/או הפעילו כל התקן לנטרול סוללה לפני ניקיון של חומרים תקועים, לפני כל כוונן, שינוי של אביזרים, ניקיון או אחסון של המכשיר החשמלי. אמצעי זהירות למניעה אלו מפחיתים את הסיכון להפעלה מקרית של המכשיר החשמלי.
- אחסנו מכשירים חשמליים אשר אינם בשימוש הרחק מהישג ידם של ילדים ואל תאפשרו לאנשים אשר אינם מכירים את המכשיר החשמלי או אשר לא קראו את ההוראות להפעיל את המכשיר החשמלי. מכשירים חשמליים הם מסוכנים כאשר הם בידם של אנשים אשר לא הוכשרו להפעיל אותם.
- תחזקו מכשירים חשמליים ואביזרים. בדקו יישור או ליפוף של חלקים נעים, שבירה של חלקים וכל תנאים אחרים אשר עלולים להשפיע על פעולת המכשיר החשמלי. אם המכשיר החשמלי ניזוק, יש לתקן אותו לפני השימוש בו. תאונות רבות נגרמות כתוצאה מתחזוקה לקויה של המכשירים החשמליים והאביזרים שלהם.
- שימרו על כלי החיתוך חדים ונקיים. לכלי חיתוך אשר תוחזקו כהלכה בעלי קצוות חדים יש פחות סיכוי לבצע ליפוף וקל יותר לשלוט בהם.
- השתמשו במכשירים חשמליים, באביזרים, בחתיכות המכשירים וכו' בהתאם להוראות אלו, כאשר אתם לוקחים בחשבון את תנאי העבודה ואת העבודה שיש לבצע. שימוש במכשיר החשמלי לפעולות אחרות מאשר אלו אליהן הוא מיועד עלול להסתיים במצב מסוכן.
- שימרו על הידידות ועל חלקי האחיזה יבשים, נקיים ווללא שמן או חומרי סיכה. ידידות ומשטחי אחיזה מחליקים לא מאפשרים טיפול נכון ושליטה במכשיר במצבים לא צפויים.

- לפני השימוש, בדקו תמיד את הכלים לאיתור סימני בלאי או נזקים. החליפו אלמנטים או ברגים בעלי בלאי או נזק בטסים על מנת לשמור על איזון.

הפעלה

- אל תפעילו את המנוע בחלל הסגור בו אדים מסוכנים של פחמן חד חמצני יכולים להצטבר.
- עבדו רק באור יום או באור מלאכותי חזק.
- בעת השימוש על גבי מדרונות, היו בטוחים בצעדים שלכם.
- פעלו תוך כדי הליכה, לעולם אל תרוצו עם המכשיר.
- בעת השימוש במכשירים מסתובבים על גלגלים, עבדו לרוחב המדרון. לעולם לא למעלה-למטה.
- היו מאוד זהירים בעת החלפת הכיוון על גבי מדרונות. אל תשתמשו על גבי מדרונות תלולים מאד.
- היו זהירים ביותר בעת הליכה לאחור או כאשר אתם מושכים את המכשיר אליכם.
- אל תחליפו את הגדרות השליטה במנוע או תפעילו את המנוע במהירות יתר.
- הפעילו את המנוע בזהירות, בהתאם להוראות היצרן וכאשר הרגליים שלכם נמצאות הרחק מן הכלי.
- אל תניחו את הידיים או הרגליים שלכם ליד או מתחת לחלקים מסתובבים.
- לעולם אל תרמו או תישאו את המכשיר כאשר המנוע פועל.

הפעלה על גבי מדרון:

- מדרונות הם גורמי תאונות המקושרים אל נפילות והחלקות, העלולים לגרום לפציעות חמורות. בעת השימוש על גבי מדרונות, היו בטוחים בצעדים שלכם. הפעלה על גבי מדרונות מצריכה זהירות מרובה. אם אינכם מרגישים בטוחים במדרון, אל תשתמשו בו.
- חפשו חורים, שורשים, סלעים, עצמים נסתרים או בליטות העלולים לגרום לכם למעוד או להחליק. דשא גבוה עלול להחביא מכשולים.

שירות

- בצעו עבודות שירות על המכשיר החשמלי שלכם רק באמצעות טכנאי שירות מוסמך העושה שימוש בחלקי חילוף זהים בלבד. הדבר יבטיח שבטיחות המכשיר החשמלי נשמרת.
- לעולם אל תבצעו עבודות שירות למארזי סוללה ניזוקים. שירות למארזי סוללה צריך להתבצע רק על ידי היצרן או ספקי שירות מוסמכים.

⚠ אזהרה: קראו את כל אזהרות הבטיחות, את ההוראות, התמונות והמפרטים המסופקים ביחד עם מכשיר חשמלי זה. אי מילוי כל ההוראות המופיעות למטה עלול לגרום להלם חשמלי, שרפה ו/או פציעה חמורה. שימרו את כל האזהרות וההוראות לעיון עתידי.

- A השתמשו רק עם מארזי הסוללה והמטענים הרשומים באיור

שימור על הוראות אלה

השימוש והטיפול בסוללת הכלי

- הטעינו רק עם המטען המצוין על ידי היצרן. מטען המתאים למארז סוללה אחד עלול ליצור סכנת אש עבור מארז סוללה אחר.
- השתמשו במכשירים חשמליים עם מארזי סוללה המיועדים להם. השימוש במארזי סוללה אחרים עלול ליצור סיכון לפציעות ושרפות.
- כאשר מארז הסוללה איננו בשימוש, שימרו עליו במרחק מסוים מעצמים אחרים העשויים ממתכת, כגון מחדקי נייר, מטבעות, מפתחות, מסמרים, ברגים או עצמים קטנים ממתכת העלולים לבצע חיבור של מסוף אחד למשנהו. ביצוע קצר בין מסופי הסוללה עלול לגרום לכוויות או שרפה.
- בתנאי שימוש לא נאותים, נזל עלול להיפלט מן הסוללה; הימנעו ממגע. אם ישנו מגע מקרי, שטפו במים. אם מתרחש מגע עם העיניים, בנוסף, פנו לעזרה רפואית. נזל הנפלט מן הסוללה עלול לגרום לפריחה או כוויות.
- אל תשתמשו במארז סוללה או מכשיר חשמלי ניזוקים אל אשר שנו. סוללות ניזוקות או אשר שנו עלולות להתנהג בצורה לא צפויה אשר עלולה להסתיים בשרפה, פיצוץ או סיכון לפציעה אישית.
- אל תחשפו את מארז הסוללה או את המכשיר אל אש או טמפרטורות גבוהות. חשיפה אל אש או טמפרטורות גבוהות מ-100°C עלולה לגרום לפיצוץ.
- בצעו את כל הוראות ההטענה ואל תטעינו את מארז הסוללה או את הכלי החשמלי מחוץ לטווחי הטמפרטורה המצוינים בהוראות אלו. הטענה לא נכונה או מחוץ לטווחי הטמפרטורה המצוינים עלולים לגרום לנזק ולהעלות את הסיכון לשרפה.

אזהרות בטיחות אחרות

הכשרה

- קראו את ההוראות בעיון. למדו היטב את הבקורות ואת השימוש המתאים במכשיר.
- לעולם אל תרשו לאנשים או ילדים אשר אינם מכירים הוראות אלו להשתמש במכשיר. תקנות מקומיות עלולות להגביל את גיל המפעיל.
- לעולם אל תעבדו כאשר ישנם אנשים, במיוחד ילדים, או חיות מחמד בסביבה.
- המפעיל או המשתמש אחראיים עבור כל תאונה או סכנה אשר עלולים להתרחש לאנשים אחרים או לרכושם.

הכנה

- בזמן העבודה, נעלו תמיד נעליים מוצקות ולבשו מכנסיים ארוכים. אל תפעילו את הציוד כאשר אתם יחפים או נועלים סנדלים.
- בדקו ביסודיות את האזור בו אתם עומדים להשתמש בציוד והסירו את כל החפצים אשר עלולים להיות מושלכים על ידי המכשיר.

מפרטים

קוטר תוף המברשת	250 מ"מ	
רצועת ניקיון	560 מ"מ	
רטורת הפעלה מומלצת	-15°C -40°C	
טמפרטורת אחסון מומלצת	-20°C-70°C	
משקל (כולל המגן)	5.05 ק"ג	
רמת עוצמת קול נמדדת L_{WA}	91.4 dB(A) K=2.02 dB(A)	
רמת לחץ קול באוזן המפעיל L_{PA}	82.8 dB(A) K=2.5 dB(A)	
רמת עוצמת קול מובטחת L_{WA} (נמדדת על פי 2000/14/EC)	93 dB(A)	
הערכת רטט a_h	ידידת עזר	0.46 מ' /שנייה ²
	קדמית	$K=1.5$ מ' /שנייה ²
	ידידת אחורית	1.43 מ' /שנייה ² $K=1.5$

- הפרמטרים לעיל נבדקים ונמדדים ביחד עם ראש חשמלי PH1400E.
- ערך הרטט הכללי המוצהר נמדד בהתאם לשיטת בדיקה סטנדרטית וניתן להשתמש בו על מנת להשוות ציוד אחד עם ציוד אחר;
- ניתן להשתמש בערך הרטט הכללי המוצהר בהערכה ראשונית של חשיפה.

הודעה: פליטת הרטט בעת השימוש המעשי בכלי יכולה להיות שונה מן הערך המוצהר כאשר הכלי נמצא בשימוש; על מנת להגן על המפעיל, על המשתמש ללבוש כפפות ומגני אוזניים בעת השימוש למעשה.

רשימת אריזה

שם חלק	כמות
אביזר מברשת קרצוף	1
רולר מברשת	2
ציר הינע	2
מגן (עם בריח)	1
מפתח אלן	1
פין אבטחה	2
פין נעילה	2
מדריך למפעיל	1

תיאור

הכירו את אביזר מברשת הקרצוף שלכם (תמונה A)

258

BBA2100 — אביזר מברשת קרצוף

1. מכסה אחורי
2. מוט אביזר מברשת קרצוף
3. מגן
4. רולר מברשת
5. תיבת הילוכים
6. פין לולאה
7. מפתח אלן

הרכבה

⚠ אזהרה: אם ישנם חלקים ניזוקים או חסרים, אל תפעילו את המכשיר עד אשר חלקים אלו יוחלפו. שימוש במכשיר זה עם חלקים פגומים או חסרים עלול לגרום לפגיעה אישית חמורה.

⚠ אזהרה: אל תנסו לשנות את המוצר או ליצור אביזרים אשר אינם מומלצים לשימוש ביחד עם המכשיר. כל שינוי שזכה או הוספה מהווה שימוש לא נכון במכשיר ועלול לגרום לתנאים מסוכנים אשר יובילו לפגיעה אישית אפשרית.

⚠ אזהרה: על מנת למנוע הפעלה מקרית אשר עלולה להוביל לפגיעה אישית חמורה, נתקן תמיד את מחבר הסוללה מן השקע בעת הרכבת חלקים.

⚠ אזהרה: אל תחברו את מברשת הקרצוף לראש החשמלי לפני השלמת ההרכבה. אי ציות להוראה זו עלול לגרום להפעלה מקרית ופגיעה אישית חמורה.

הרכבת המגן

⚠ אזהרה: התקינו את המגן לפני שאביזר מברשת הקרצוף מחובר לראש החשמלי.

1. שחררו והסירו את הבריח מהמגן בעזרת מפתח אלן המצורף (איור B).
2. הרימו את מוט אביזר מברשת הקרצוף והסירו את מכסה הקצה מהמוט.
3. כשהחריץ במגן מקביל לעורק בקצה המוט, העבירו את המגן דרך המוט עד שחורי הברגים במגן ובמוט מקבילים (איור C ו-D).
ראו למטה תיאור חלקים באיור D-1:

C-1	חריץ
C-2	עורק
D-1	בריח

4. השתמשו במפתח אלן המצורף כדי להדק את הבריח בכיוון השעון כדי לנעול את המגן בביטחה.

הרכבת רולרי המברשת

1. דחוף את ציר ההינע על מוט ההיסע (איור E).
ראו למטה תיאור חלקים בתמונה E:

E-1	מוט ההיסע
E-2	ציר הינע

4. משכו מעט את המוט על מברשת הקרצוף כדי לוודא שהוא נעול היטב בתוך המצמד. אם לא, הזיזו את מברשת הקרצוף קדימה ואחורה בתוך המצמד עד להישמע צליל „קליק” ברור המציין את נעילת המוט במקומו.
5. הדקו את אום הפרפר היטב.

⚠ אזהרה: וודאו שאום הפרפר על המצמד מהודק לגמרי לפני הפעלת הציוד, בדקו אותו בקביעות להידוק בזמן השימוש כדי למנוע פציעה אישית חמורה.

הסרת האביזר מהראש החשמלי

1. עצרו את המנוע והסירו את מארז הסוללה.
2. שחררו את אום הפרפר.
3. כשלחצן שחרור המוט לחוץ, משכו או פתלו את מברשת הקרצוף מחוץ למצמד כדי להסיר אותו מהראש החשמלי.

הפעלה

⚠ אזהרה: אל תניחו לעובדה שאתם מכירים את המוצר להפוך אתכם לפחות זהירים. זכרו שחוסר זהירות של שביר אחד של שנייה מספיק לגרום לפציעה אישית חמורה.

⚠ אזהרה: חבשו תמיד משקפי הגנה, ביחד עם מגני שמיעה. אם לא תעשו זאת עצמים עלולים להיזרק אל תוך העיניים שלכם ועלולות להיגרם פציעות חמורות אחרות.

⚠ אזהרה: אל תעשו שימוש בחיבורים או אביזרים אשר לא הומלצו על ידי יצרן מוצר זה. השימוש בחיבורים או אביזרים אשר לא הומלצו עלול לגרום לפציעה חמורה.

יישומים

- אתם יכולים להשתמש במוצר זה רק עבור המטרה להלן:
- ניקוי אזורים ושבלים, כולל שטחים משולבים ולא ישרים.
 - ניקוי דרכי גישה/מבטון/אספלט/מדרכות, שבילי גישה וחצרות.

⚠ אזהרה: לבשו בגדים מתאימים על מנת להפחית את הסיכון לפציעות בעת השימוש בכלי זה. אל תלבשו בגדים רפויים או תכשיטים. חבשו מגני עיניים. לבשו מכנסיים כבדים, ארוכים, מגפיים וכפפות. אל תלבשו מכנסיים קצרים או סנדלים ואל תפעילו כאשר אתם יחפים.

אם המשטח אותו יש לנקות יבש, רססו אותו עם מים כדי להפחית את כמות האבק שתיווצר.

יש לעבוד עם מברשת הקרצוף לכיוון קדימה. החזיקו את מברשת הקרצוף כשיד אחת על הידית האחורית והיד השנייה על ידית העזר הקדמית. שמרו על אחיזה יציבה בשתי ידיים בזמן הפעלת מברשת הקרצוף.

החזיקו והוליכו את מברשת הקרצוף בזווית קטנה. אם

2. כדי לאבטח את ציר ההינע למוט ההינע, הכניסו את פין הנעילה לתוך חור הנעילה.

הודעה: יש להתקין את פין הנעילה במקומו (איור F).
ראו למטה תיאור חלקים בתמונה F:

F-1	פין נעילה
F-2	חור נעילה

3. בצעו את אותן פעולות כדי להרכיב את ציר ההינע השני.
4. דחפו את חלול המברשת על ציר ההינע (איור G).
ראו למטה תיאור חלקים בתמונה G:

G-1	רולר מברשת
G-2	ציר הינע

רולר מברשת
ציר הינע

5. כדי לאבטח את רולר המברשת לציר ההינע, הכניסו את פין הלולאה לחור בקצה (איור H).
ראו למטה תיאור חלקים באיור H:

H-1	פין לולאה
-----	-----------

6. בצעו את אותן פעולות כדי להרכיב את רולר המברשת השני.

חיבור אביזר מברשת הקרצוף לראש החשמלי

⚠ אזהרה: לעולם אין לחבר או להתאים אביזר כלשהו כשהראש החשמלי פועל או כשהסוללה מותקנת. אי כיובי המנוע והסרת הסוללה עלולים לגרום לפציעה אישית חמורה.

אביזר מברשת קרצוף זה מיועד לשימוש עם ראש חשמלי EGO PH1400E

1. עצרו את המנוע והסירו את מארז הסוללה
2. שחררו את אום הפרפר שעל מצמד הראש החשמלי.
3. אם מכסה הקצה נמצא על מוט האביזר, הסירו אותו ושמרו אותו במקום בטוח לשימוש מאוחר יותר.

יישרו את החץ שעל מוט מברשת הקרצוף עם החץ שעל המצמד (איור I) ודחפו את מוט מברשת הקרצוף לתוך המצמד עד להישמע צליל „קליק” (איור J).
ראו למטה תיאור חלקים בתמונה I:

I-1	כפתור שחרור המוט
I-2	החץ על המצמד
I-3	אום פרפר
I-4	חץ על מוט האביזר
I-5	קו אדום

ראו למטה תיאור חלקים בתמונה J:

J-1	קו אדום
-----	---------

מברשת הקרצוף מוחזקת בזווית גדולה, היא נוטה להידחק אחורה לכיוון המפעיל.

שמרו על אחיזה ועל איזון על שתי הרגליים (איור K).

חלקים מושלכים עלולים לפצוע באופן חמור את המפעיל או עוברי אורח. על מנת להפחית את הסיכון לפציעה אישית, חשוב מאוד לנקוט באמצעי הבטיחות הבאים:

- אחזו תמיד את מברשת הקרצוף בשתי הידיים בזמן ההפעלה. הקפידו על אחיזה חזקה בשתי הידיים.

- העבירו את מברשת הקרצוף לאזור העבודה לפני הפעלתה והפעילו אותה במהירות נמוכה יותר.
- כדי להפחית את הסיכון לפציעה מאובדן שליטה, החזיקו והולכו את מברשת הקרצוף בזווית קטנה. אם מברשת הקרצוף מוחזקת בזווית גדולה, היא נוטה להידחק אחורה לכיוון המפעיל.

לפני כל שימוש, בדקו עבור חלקים עם בלאי/ניזוקים

בדקו את רולר המברשת, את המגן, את ידית העזר הקדמית ואת ציר ההינע והחליפו את החלקים הסדוקים, המלופפים, המעוקלים או הניזוקים בכל צורה שהיא.

לאחר כל שימוש, נקו את מברשת הקרצוף

עיינו בסעיף תחזוקה להוראות הניקוי.

להפעלה/לכיבוי של כלי העבודה

עיינו בסעיף „הפעלה/כיבוי של הראש החשמלי” במדריך למשתמש של הראש החשמלי PH1400E

תחזוקה

⚠ אזהרה: במקרה של עבודות תיקון, השתמשו רק בחלקי חילוף זהים. שימוש בחלקי חילוף אחרים עלול לגרום לסכנה או נזק למוצר. על מנת להבטיח בטיחות ואמינות, יש לבצע את כל התיקונים וההחלפות בעזרת טכנאי שירות מוסמך.

⚠ אזהרה: כלי הסוללה לא צריכים להיות מחוברים אל החשמל; לכן, הם תמיד נמצאים במצב הפעלה. על מנת למנוע פציעות אישיות חמורות, היו זהירים מאוד בעת ביצוע עבודות תחזוקה, עבודות שירות או בעת החלפת אביזר החיתוך או אביזרים אחרים.

⚠ אזהרה: על מנת למנוע פציעות אישיות חמורות, הסירו את מארז הסוללה מהראש החשמלי והמתינו לעצירת רולר המברשת לפני ביצוע כל עבודות שירות, ניקיון, החלפת אביזרים נוספים, או כאשר המוצר אינו בשימוש.

תחזוקה כללית

⚠ אזהרה: לעולם אל תיתנו לנזלי בלימה, בנזין, מוצרים מבוססי בנזין, שמנים וכו', לבוא במגע עם חלקי

פלסטיק. חומרים כימיים עלולים להזיק, להחליש או להרוס את הפלסטיק והדבר עלול לגרום לפציעה אישית חמורה.

⚠ אזהרה: בעת ניקוי אביזר מברשת הקרצוף, אין להטבילו במים או בנוזלים אחרים. אין לנקות את המכשיר בעזרת מכונת שטיפה בלחץ. סילון המים האיתן עלול לפגוע בחלקי המכשיר.

תחזוקת רולר המברשת

- נקו את רולר המברשת באופן קבוע.
- אם נדרשת החלפה של רולר המברשת עקב בלאי, החליפו את שני רולרי המברשת לביצועים מיטביים.

כל פעולות השירות של רולר המברשת, מלבד אלו המפורטים בהוראות תחזוקה אלה, צריכים להתבצע על ידי אנשי שירות מוסמכים.

החלפת רולרי המברשת

⚠ אזהרה: רולר מברשת פגום עשוי להישרר לחתיכות לאחר שימוש רב מה שעלול לגרום לנזקים מסוכנים. עצמים נזרקים עלולים לגרום לפציעות אישיות חמורות. בדקו את הלהב באופן קבוע ואל תפעילו את מברשת הקרצוף עם חלקים בלויים או פגומים.

להסרה (איור L)

1. הסירו את פין הלולאה מקצה ציר ההינע.
2. משכו את רולר המברשת, יחד עם לוחית הכיסוי שעליו, מחוץ לציר ההינע.
3. אם ציר ההינע פגום, הסירו את פין הנעילה מהחור של ציר ההינע ומשכו את ציר ההינע מעל מוט ההיסע (איור M).
4. אם לוחית הכיסוי פגומה, משכו אותה מרולר המברשת והחליפו אותה.
5. בצעו את אותן פעולות כדי להסיר את רולר המברשת השני.

ראו למטה תיאור חלקים בתמונה L:

L-1	מוט ההיסע	L-4	פין לולאה
L-2	פין נעילה	L-5	לוחית כיסוי
L-3	רולר מברשת	L-6	ציר הינע

להתקנה

1. התקינו את ציר ההינע על מוט ההיסע והכניסו את פין הנעילה לתוך החור על ציר ההינע (ראה איור F).
2. התקינו את לוחית הכיסוי על רולר המברשת כשהעורק בלוחית הכיסוי מיושר עם החור על רולר המברשת (איור N).

ראו למטה תיאור חלקים בתמונה N:

N-1	חור
N-2	עורק

3. חתפו את רולר המברשת על ציר ההינע (ראה איור G).
4. הכניסו את פין הלולאה לחור שבקצה ציר ההינע וקפלו אותו בצורה שטוחה.
5. בצעו את אותן פעולות כדי להרכיב את רולר המברשת השני.

⚠ אזהרה: החליפו תמיד את שני רולרי המברשת באותו זמן.

נקו את היחידה

- הסירו את הסוללה.
- נקו את חלקי השורשים, האדמה התקועה או הצמחים על מרולרי המברשת, המגן או תיבת ההילוכים. לניקוי יסודי, הסירו את רולרי המברשת והמגן כדי לשטוף אותם ביסודיות. לשלבי החלפה מפורטים עיינו בסעיף למעלה „החלפת רולרי המברשת“.
- השאירו את פתחי האוויר פנויים מחסימה.

אחסון היחידה

- הסירו את מארז הסוללה מן המכשיר.
- נקו את המכשיר ביסודיות ובדקו את רולרי המברשת.
- הסירו את אביזר מברשת הרולר מהראש החשמלי וכסו את מוט האביזר עם מכסה הקצה כדי למנוע כניסת לכלוך למצמד.
- אחסנו את המכשיר במקום יבש, מאוורר היטב, נעול או במקום גבוה, הרחק מהישג ידם של ילדים. אל תאחסנו את היחידה קרוב לחומרי דשן, חומרי דלק או כימיקלים אחרים.

הגנה על הסביבה

אל תיזרקו ציוד חשמלי, מטען הסוללה וסוללות/סוללות ניתנות לטעינה ביחד עם אשפה ביתית! בהתאם לחוק האירופי 2012/19/EU, ציוד חשמלי ואלקטרוני אשר איננו נמצא יותר בשימוש, ובהתאם לחוק האירופי 2006/66/EC, ציוד חשמלי ואלקטרוני ניזוק, ייאספו באופן נפרד. אם ציוד חשמלי נזרק ביחד עם אשפה ביתית או במזבלה, חומרים מסוכנים עלולים לנזול אל האדמה ולהפוך לחלק משרשרת המזון, דבר העלול לגרום לנזק לבריאות ולרווחה שלכם.



פתרון תקלות

פתרון	סיבה	בעיה
<ul style="list-style-type: none"> ■ הצמידו את מארז הסוללה אל הראש החשמלי. ■ הסירו את הסוללה, בדקו את המגעים והתקינו מחדש את מארז הסוללה כך שייכנס למקומו בנקישה. ■ הטעינו את מארז הסוללה עם מטעני EGO הרשומים במדריך זה. ■ לחצו על דוושת הנעילה והחזיקו אותה, לאחר מכן לחצו על ההדק על מנת להפעיל. ■ צרו קשר עם מחלקת שירות הלקוחות של EGO. 	<ul style="list-style-type: none"> ■ מארז הסוללה איננו מחובר כראוי לראש החשמלי. ■ לא מתבצע חיבור חשמלי בין הראש החשמלי למארז הסוללה. ■ קיבולת מארז הסוללה ריקה. ■ דוושת הנעילה וההדק של הראש החשמלי אינם משוחררים בו זמנית. ■ עדיין לא פועל מעבר לסיבות לעיל. 	<p>לא ניתן להפעיל את מברשת הקרצוף.</p>
<ul style="list-style-type: none"> ■ צרו קשר עם מחלקת שירות הלקוחות של EGO. 	<ul style="list-style-type: none"> ■ נזק לא רגיל במהלך השינוע או השימוש. 	<p>מברשת הקרצוף ככל הנראה פגומה.</p>
<ul style="list-style-type: none"> ■ המנוע יחזור לפעילות רגילה ברגע בו העומס יוסר. עבור שימוש ממושך, הפחיתו את העומס על מברשת הקרצוף. ■ אפשרו למארז הסוללה או לראש החשמלי להתקרר עד לטמפרטורה של פחות מ- 67°C. ■ התקינו מחדש את מארז הסוללה. ■ הטעינו את מארז הסוללה עם מטעני EGO הרשומים במדריך זה. ■ צרו קשר עם מחלקת שירות הלקוחות של EGO. 	<ul style="list-style-type: none"> ■ ישנו עומס יתר של המנוע. ■ מארז הסוללה או הראש החשמלי חמים מידי. ■ מארז הסוללה מנותק מן המכשיר. ■ קיבולת מארז הסוללה ריקה. ■ עדיין לא פועל מעבר לסיבות לעיל. 	<p>רשת הקרצוף נעצרת באמצע הקרצוף.</p>

אחריות

מדיניות האחריות של EGO

אנא בקרו באתר egopowerplus.com עבור התנאים וההתניות השלמים של מדיניות האחריות של EGO.

اقرأ جميع التعليمات!



اقرأ دليل التشغيل

⚠ خطر زائد! الأشخاص الذين تم تركيب أجهزة طبية إلكترونية لهم، مثل منظم ضربات القلب، يجب عليهم استشارة الطبيب قبل استخدام هذا المنتج. لأن تشغيل معدات كهربائية بالقرب من منظم ضربات القلب قد ينشأ عنه خلل أو فشل في أداء منظم ضربات القلب.

تحذير: لضمان السلامة والاعتمادية، يجب تنفيذ جميع أعمال الإصلاح واستبدال الأجزاء من قبل فني خدمة مؤهل.

رموز السلامة

الغرض من رموز السلامة هو جذب انتباهك إلى المخاطر المحتملة. رموز السلامة والشروح المصاحبة لها تستحق اهتمامك وفهمك الدقيق. تحذيرات كل رمز، بنفسها، لا تمنع وقوع أي خطر. التعليمات والتحذيرات التي تمنحك إياها لا تعد بديلاً عن تطبيق الإجراءات الملائمة لمنع وقوع الحوادث.

⚠ تحذير: احرص على قراءة وفهم جميع تعليمات السلامة في دليل التشغيل هذا، بما في ذلك جميع رموز تنبيهات السلامة، مثل «خطر»، و«تحذير» و«تنبيه» قبل استخدام هذه الآلة. عدم اتباع جميع التعليمات الواردة أدناه قد يؤدي إلى حدوث صدمة كهربائية أو نشوب حريق أو التعرض للإصابة الشخصية، أحدها أو جميعها.

معنى الرمز

⚠ رمز تنبيه السلامة: يشير إلى خطر أو تحذير، أو تنبيه، وقد يتم استخدامه بشكل متزامن مع الرموز أو الصور الكتابية الأخرى.

⚠ تحذير: قد يؤدي تشغيل أي آلة عاملة بالطاقة إلى دخول أي أشياء غريبة في عينيك، وهو ما قد يؤدي إلى إلحاق أضرار خطيرة بالعين. قبل بدء تشغيل الآلة العاملة بالطاقة، احرص دائماً على ارتداء واقبات العينين أو نظارات حماية العينين ذات دروع جانبية، ودرع واقٍ لكامل الوجه عند اللزوم. نوصي بارتداء قناع السلامة واسع الرؤية لاستخدامه فوق نظارات العين أو نظارات السلامة العادية ذات الدروع الجانبية.



تعليمات السلامة

هذه الصفحة تصف وتشرح رموز السلامة التي قد تظهر على هذا المنتج. اقرأ جميع التعليمات المذكورة على الآلة وافهمها واتبعها قبل محاولة تجميع الآلة وتشغيلها.

	تنبيه سلامة	يشير إلى خطر محتمل للتعرض لإصابة شخصية.
	اقرأ دليل التشغيل	لحذر من خطر الإصابة، يجب على المستخدم قراءة وفهم دليل التشغيل قبل استخدام هذا المنتج.
	ارتد أدوات حماية العينين	ارتد دائماً نظارات الحماية المزودة بواقبات على الجانبين، وبنديعي ارتداء واقٍ لكامل الوجه أثناء تشغيل هذا المنتج.
	أبق المراقفين بعيداً عن نطاق عمل الآلة	أبق المراقفين على مسافة آمنة
	ارتد قفازات الحماية	احرص على ارتداء قفازات لليدين عند التعامل مع الشفرات. كما أن القفازات القوية المانعة للانزلاق تعزز من قدرتك على الإمساك وتحمي يديك.
	ارتد حذاء الحماية	احرص على ارتداء أحذية آمان مانعة للانزلاق عند استخدام هذه الآلة.
	الأشياء المتطايرة	فالأشياء المتطايرة من الآلة قد ترتد وتؤدي إلى إصابات شخصية أو تلف للممتلكات.
	لا تُعرض المنتج للمطر	لا تستخدم المنتج تحت المطر أو أن تتركه في مكان مفتوح أثناء هطول المطر.
	شهادة الجودة الأوروبية CE	هذا المنتج متوافق مع توجيهات شهادة الجودة الأوروبية (CE) المعمول بها.
	نفايات المعدات الكهربائية والإلكترونية (WEEE)	لا يجب التخلص من الأجهزة الكهربائية المستهلكة في النفايات المنزلية. توجه بالجهاز إلى مركز إعادة تدوير معتمد.
	الضوضاء	مستوى قوة الصوت المضمون. انبعاثات الضوضاء في البيئة وفقاً لتوجيه الاتحاد الأوروبي
V	فولت	الجهود الكهربائي
mm	مليمتر	الطول أو الحجم
kg	كيلوجرام	الوزن

تحذيرات السلامة العامة المتعلقة بالآلة العاملة بالطاقة

⚠ تحذير: اقرأ جميع تحذيرات السلامة والتعليمات والرسوم التوضيحية والمواصفات المرفقة مع هذه الآلة. عدم اتباع جميع التعليمات الواردة أدناه قد يؤدي إلى حدوث صدمة كهربائية أو نشوب حريق أو التعرض للإصابة، أحدها أو جميعها.

احتفظ بجميع التحذيرات والتعليمات للرجوع إليها في المستقبل.

سلامة منطقة العمل

- حافظ على منطقة العمل نظيفة ومضاءة جيدًا. حيث عادة ما تتسبب المناطق المظلمة أو التي بها ركاب إلى وقوع حوادث.
- لا تقم بتشغيل الآلات العاملة بالطاقة في أجواء قابلة للاشتعال، على سبيل المثال في وجود سوائل أو غازات أو غبار قابلة للاشتعال. فقد تتسبب الآلات العاملة بالطاقة في صدور شرارة، والتي قد تتسبب في اشتعال الغبار أو الأبخرة القابلة للاشتعال.
- احتفظ بالأطفال والمشاهدين بعيدًا عن موقع استعمال الآلة العاملة بالطاقة. حيث أن الإلهاءات قد تجعلك تفقد السيطرة على الآلة.

السلامة الكهربائية

- لا تقم بتعريض الآلات العاملة بالطاقة للمطر أو الأجواء الرطبة. حيث سيؤدي الماء الذي يدخل إلى الآلة العاملة بالطاقة إلى زيادة خطر حدوث صدمة كهربائية.

السلامة الشخصية

- ابق منتهيًا، وانتبه جيدًا لما تفعله، وكن عقلانيًا عند تشغيل آلة تعمل بالطاقة. لا تستخدم أداة آلة بالطاقة وأنت مجهد أو تحت تأثير المخدرات أو الكحوليات أو الأدوية. قد تؤدي لحظة من عدم الانتباه أثناء تشغيل الآلات العاملة بالطاقة إلى حدوث إصابات شخصية خطيرة.
- استعن دائمًا بأدوات الحماية الشخصية. سيؤدي استخدام أدوات الحماية الشخصية كقناع العينين أو قناع الغبار أو أذنوية السلامة المضادة للانزلاق أو القبعة الصلبة أو أدوات حماية السمع، أحدهم أو جميعهم، في ظروف مناسبة إلى الحماية من الإصابات الشخصية.
- امنع بدء تشغيل الآلة غير المتعمد. احرص على أن يكون مفتاح الطاقة في وضع الإيقاف قبل توصيل الآلة بمصدر التيار أو مجموعة البطاريات، أو النقط الآلة أو حملها. قد يؤدي حمل الآلات العاملة بالطاقة وأصبعك على مفتاح التشغيل أو شحن الآلات العاملة بالطاقة ومفتاح التشغيل في وضع التشغيل إلى وقوع حوادث.
- أزل أي مفتاح تعديل أو مفتاح ربط قبل تشغيل الآلة العاملة بالطاقة. قد يؤدي ترك مفتاح ربط أو مفتاح عادي مركبًا على جزء دوار بالآلة العاملة بالطاقة إلى وقوع إصابات شخصية.
- لا تقف في مكان تضطر لمد يديك بعيدًا. قف وأنت ثابت ومتوازن في جميع الأوقات. وهو ما يسمح بتحكم أفضل في الآلة العاملة بالطاقة في الظروف غير المتوقعة.
- ارتد الملابس الملائمة. لا ترتد ملابس أو مجوهرات غير

ثابتة. احتفظ بشعرك وملابسك بعيدًا عن الأجزاء المتحركة. قد تعلق الملابس الفضفاضة أو المجوهرات أو الشعر الطويل في الأجزاء المتحركة.

- إذا تم تقديم أجهزة خاصة بتوصيل أدوات استخراج وجمع الغبار، فأحرص على توصيلها واستخدامها على النحو اللازم. قد يؤدي استخدام جمع الغبار إلى الحد من المخاطر المرتبطة به.
- لا تدع الخبرة المكتسبة من الاستخدام المتكرر للآلات يجعلك تتعامل دون الانتباه اللازم وتتجاهل مبادئ السلامة المتعلقة بالآلة. فقد يتسبب أي إجراء غير مدروس في إصابات خطيرة في جزء من الثانية.

استخدام الآلة العاملة بالطاقة والعناية بها

- لا تجبر الآلة العاملة بالطاقة على أعمال تفوق قدرتها. استخدم الآلة العاملة بالطاقة الملائمة لأعمالك. ستقوم الآلة العاملة بالطاقة الملائمة بأداء أعمالك بشكل أفضل وأكثر أمانًا بالمعدل الذي أعدت له.
- لا تستخدم الآلة العاملة بالطاقة إذا كان مفتاح التشغيل لا يمكن نقله إلى وضع التشغيل أو وضع الإيقاف. أي آلة عاملة بالطاقة لا يمكن التحكم فيها بمفتاح التشغيل تعتبر خطيرة وينبغي إصلاحها.
- اخلع مجموعة البطارية -إذا كانت قابلة للخلع- من الآلة العاملة بالطاقة والراي قم بتفصيل أي جهاز تعطيل للبطارية قبل تنظيف الاتسدادات، أو عمل أي تعديلات، أو تغيير الملحقات، أو التنظيف، أو تخزين الآلات العاملة بالطاقة. إجراءات السلامة الوقائية هذه تحد من خطر تشغيل الآلة العاملة بالطاقة بشكل خاطئ.
- خزن الآلات العاملة بالطاقة غير المستخدمة بعيدًا عن متناول أيدي الأطفال ولا تسمح للأشخاص غير المعتادين على استخدام الآلات العاملة بالطاقة أو على هذه التعليمات بتشغيل الآلة. الآلات العاملة بالطاقة تكون خطيرة في أيدي الأشخاص غير المدربين.
- حافظ على الآلات العاملة بالطاقة والملحقات تحقق من عدم محاذاة الأجزاء المتحركة أو ربطها، أو وجود كسور في الأجزاء، أو أي حالة أخرى قد تؤثر على عمل الآلة. إذا كان هناك تلف، فقم بإصلاح الآلة العاملة بالطاقة قبل استخدامها. فالعديد من الحوادث يكون سببها الآلات التي لم تتم صيانتها.
- احتفظ بالأدوات القاطعة حادة ونظيفة. الأدوات القاطعة التي تتم صيانتها كما ينبغي للاحتفاظ بحوافها القاطعة حادة تكون أقل عرضة للانحناء وسهل التحكم فيها.
- استخدم الآلة والملحقات والقمم وما شابههم وفقًا لهذه التعليمات، مع الأخذ في الاعتبار ظروف العمل والأعمال التي سيتم تنفيذها. قد يؤدي استخدام الآلة في أعمال غير تلك المخصصة لها إلى حوادث خطيرة.
- احتفظ بالمقابض وأسطح الإمساك جافة ونظيفة وخالية من الزيوت والشحوم. لأن المقابض وأسطح الإمساك المنزلقة لا تمنحك القدرة على التعامل والتحكم الآمنين في الآلة في المواقف غير المتوقعة.

استخدام البطارية والعناية بها

- لا تُعد شحن الآلة إلا باستخدام الشاحن المخصص بواسطة الشركة الصانعة. فالشاحن الملائم لنوع من مجموعات البطارية قد يتسبب في نشوب حريق إذا تم استخدامه مع مجموعة بطارية أخرى.
- استخدم الآلات العاملة بالطاقة مع مجموعات البطاريات المخصصة لها فقط. لأن استخدام أي مجموعات بطارية أخرى قد يؤدي إلى التعرض لإصابات أو نشوب حريق.
- عند عدم استخدام مجموعة البطارية، احتفظ بها بعيداً عن الأغراض المعدنية الأخرى مثل مشابك الأوراق أو العملات المعدنية أو المفاتيح أو المسامير أو البراغي أو الأغراض المعدنية الصغيرة الأخرى التي قد تتسبب في عمل دائرة قصر (قفز للدائرة) بين أقطاب البطارية. عمل دائرة قصر (قفز الدائرة) بين أطراف البطارية قد يتسبب في حروق أو نشوب حريق.
- في حالات التعامل السوء، قد يحدث ارتشاح للسوائل من البطارية؛ لا تلامسه. إذا حدثت ملامسة بشكل عرضي، فاغسلها بالماء. إذا لامس السائل العينين، فاطلب المساعدة الطبية على الفور. السائل المرشح من البطارية قد يتسبب في حدوث اهتياج في الجلد أو حروق.
- لا تستخدم مجموعة البطارية أو الآلة إذا كانا تالفين أو تم إدخال تعديلات عليهما. لأن البطاريات التالفة أو التي تم تعديلها قد تعمل بشكل غير متوقع، وهو ما قد يؤدي لنشوب حريق أو حدوث انفجار أو خطر التعرض لإصابة.
- لا تقم بتعريض مجموعة البطارية أو الآلة للحريق أو درجات الحرارة الزائدة. التعرض لدرجات الحرارة الأعلى من 100 درجة مئوية قد يؤدي لحدوث انفجار.
- اتب تعليمات الشحن ولا تشحن مجموعة البطارية أو الآلة في نطاق درجة حرارة خارج النطاق المحدد في التعليمات. قد يؤدي الشحن غير المضبوط أو في درجات حرارة خارج النطاق المسموح به إلى تلف البطارية وخطر نشوب حريق.

تحذيرات السلامة الأخرى

- ### التدريب
- اقرأ التعليمات بعناية. اعتمد على أدوات التحكم والاستخدام الملائم للآلة.
 - لا تسمح للأشخاص غير المعتادين على هذه التعليمات أو الأطفال باستخدام الآلة. قد تُحدث بعض اللوائح المحلية سناً معيناً لمشغلي الآداة.
 - لا تقم أبداً بالعمل أثناء تواجد أي أشخاص، خصوصاً الأطفال أو الحيوانات الأليفة، في الجوار.
 - يرجى الانتباه إلى أن المشغل أو المستخدم هو المسؤول عن وقوع أي حوادث أو مخاطر يتعرض لها أشخاص آخرون أو تتعرض لها ممتلكاتهم،
- ### الإعداد
- أثناء العمل، احرص دائماً على ارتداء أذنية قوية وبظلال طويل. لا تقم بتشغيل الآلة وأنت حافي القدمين أو ترتدي صندلاً مفتوحاً.
 - افحص بعناية المنطقة التي سيتم استخدام الآلة فيها، وتخلص من

جميع الأغراض التي قد تتطاير من الآلة. قبل الاستخدام، احرص دائماً على فحص الآلة بعينيك للتأكد من عدم تآكل أو تلف الأدوات. استبدل العناصر والمسامير المتآكلة أو التالفة بمجموعات كاملة للمحافظة على توازن الآلة.

التشغيل

- لا تقم بتشغيل المحرك في الأماكن المغلقة التي قد تتجمع بها أبخرة أول أكسيد الكربون الخطيرة.
- لا تعمل سوى في ضوء النهار أو الضوء الصناعي الجيد.
- تحقق دائماً من موضع أقدامك على المنحدرات.
- قم بالمشي أثناء العمل بالآلة ولا تجري أبداً.
- بالنسبة للآلات ذات العجلات الدوّارة، اعمل من جانب لآخر على المنحدرات، وليس لأعلى ولأسفل.
- توخّ الحذر الشديد والحيلة عند تغيير اتجاهاتك أثناء العمل في المنحدرات.
- لا تعمل فوق المنحدرات الشاهقة.
- توخّ الحذر الشديد عند عكس اتجاه عمل الآلة أو سحبها تجاهك.
- لا تقم دائماً من إعدادات التحكم في المحرك أو زيادة سرعة المحرك بشكل زائد عن الحد.
- قم بتشغيل المحرك وفقاً لتعليمات الشركة الصانعة، على أن تكون الأقدام بعيدة للغاية عن الآلة.
- لا تضع يديك أو قدميك بالقرب من الأجزاء المتحركة أو أسفلها.
- لا تقم أبداً باللقاط أو إمساك آلة والمحرك يعمل.

التشغيل على منحدر:

- المنحدرات عامل أساسي متعلق بحوادث الانزلاق والسقوط، وهو ما قد يؤدي لإصابات خطيرة. تحقق دائماً من موضع أقدامك على المنحدرات. التشغيل على المنحدرات يتطلب انتبهاً زائداً. إذا شعرت بعدم الارتياح على أحد المنحدرات، فلا تعمل عليه.
- انتبه للحفر أو الأخاديد أو الصخور أو الأشياء غير المرئية أو النتوءات، لأنها قد تتسبب في انزلاقك أو تحرك العشب الطويل قد يخفي أسفله العوائق.

الصيانة

- ينبغي إجراء الصيانة على الآلة بواسطة فني إصلاح متخصص باستخدام قطع غيار أصلية مطابقة فقط. فهذا يضمن المحافظة على سلامة الآلة.
- لا تقم بصيانة مجموعات البطارية التالفة بأي حال من الأحوال. بل ينبغي أن تكون صيانة مجموعات البطارية من خلال الشركة الصانعة أو مقدمي الخدمة المعتمدين فقط.

⚠ تحذير: اقرأ جميع تحذيرات السلامة والتعليمات والرسوم التوضيحية والموصفات المرفقة مع هذه الآلة. عدم اتباع جميع التعليمات الواردة أدناه قد يؤدي إلى حدوث صدمة كهربائية أو نشوب حريق أو التعرض للإصابة، أحدها أو جميعها. احتفظ بجميع التحذيرات والتعليمات للرجوع إليها في المستقبل.

- لا تستخدم الآلة إلا مع مجموعات البطارية والشواحن المدرجة في الشكل A

احفظ هذه التعليمات

المواصفات

قطر أسطوانة الفرشاة	250 مم
عرض التنظيف	560 مم
درجة حرارة التشغيل الموصى بها	15- - 40 درجة مئوية
درجة حرارة التخزين الموصى بها	20- - 70 درجة مئوية
الوزن (شاملاً الواقي)	5.05 كجم
مستوى قوة الصوت المُقدَّر L_{WA}	91.4 ديسيبل (A) 2.02=K ديسيبل (A)
مستوى ضغط الصوت عند أذن مُشغل الآلة L_{PA}	82.8 ديسيبل (A) 2.5=K ديسيبل (A)
مستوى قوة الصوت المضمون L_{WA} (تم قياسه وفقاً للمعيار (2000/14/EC))	93 ديسيبل (A)
القيمة المقدرة للاهتزاز a_h	مقبض المساعدة الأمامي 0.46 م/ثانية ² 1.5 =K م/ثانية ²
	المقبض الخلفي 1.43 م/ثانية ² 1.5 =K م/ثانية ²

- تم اختبار المعايير أعلاه وقياسها أثناء تركيب رأس الطاقة PH1400E.
- القيمة الكلية للاهتزاز الموضحة تم قياسها وفقاً لطريقة اختبار قياسية وقد تستخدم لمقارنة أداة بأخرى؛
- كما يمكن استخدام القيمة الكلية للاهتزاز الموضحة في التقييم التمهيدي للتعرض.

ملاحظة: قد تختلف انبعاثات الاهتزاز أثناء الاستخدام الفعلي للألة العاملة بالطاقة عن القيمة المعلنة التي يتم استخدام الآلة فيها؛ ولحمية مشغل الآلة، ينبغي على المستخدم ارتداء قفازات وواقيات للأذن في ظروف الاستخدام الفعلية.

قائمة المحتويات

اسم القطعة	الكمية
ملحق الفرشاة ذات الشعر	1
بكرة الفرشاة	2
محور عمود الإدارة	2
الواقي (مع المسمار)	1
مفتاح ربط سداسي (الأنكيه)	1
ثيئة ربط	2
ثيئة قفل	2
دليل التشغيل	1

الوصف

تعرف على ملحق الفرشاة ذات الشعر (الشكل A)

1. غطاء خارجي
2. عمود ملحق الفرشاة ذات الشعر
3. الواقي
4. بكرة الفرشاة
5. صندوق ناقل الحركة
6. ثيئة ربط
7. مفتاح ربط سداسي (الأنكيه)

التجميع

⚠ تحذير: إذا حدث تلف أو فقد في أي أجزاء، لا تقم بتشغيل هذا المنتج إلا بعد استبدال الأجزاء. استخدام هذا المنتج مع وجود أجزاء تالفة أو مفقود قد يؤدي إلى وقوع إصابات شخصية خطيرة.

⚠ تحذير: لا تحاول إجراء أي تعديلات على هذا المنتج أو ابتداء ملحقات غير موصى بها للاستخدام مع هذا المنتج. أي تغيير أو تعديل من هذا النوع يعتبر سوء استخدام، وقد يؤدي إلى وضع خطير قد يتسبب في وقوع إصابات شخصية خطيرة محتملة.

⚠ تحذير: لمنع بدء التشغيل غير المقصود، والذي قد يؤدي إلى وقوع إصابات شخصية خطيرة، احرص دائماً على فصل قابس البطارية من المقيس عند جميع الأجزاء.

⚠ تحذير: لا تقم بتوصيل الفرشاة ذات الشعر في رأس الطاقة إلا بعد اكتمال التجميع. عدم الامتثال لذلك قد يؤدي إلى بدء التشغيل غير المقصود للآلة والتعرض المحتمل لإصابات شخصية خطيرة.

تركيب الواقي

⚠ تحذير: قم بتركيب الواقي قبل توصيل ملحق الفرشاة ذات الشعر برأس الطاقة.

1. فك المسمار من الواقي وإخذه بمفتاح الربط السداسي (الأنكيه) المرفق (الشكل B).
2. ارفع عمود ملحق الفرشاة ذات الشعر وإخذه الغطاء الخارجي من العمود.
3. بينما الفتحة الموجودة في الواقي متحاذاة مع الدعامة الموجودة بطرف العمود، مرر الواقي عبر العمود إلى تتم محاذاة فتحات المسمار الموجودة في الواقي والعمود (الشكل C و D).

الشكل C و D انظر أدناه للتعرف على شرح الأجزاء:

C-1	فتحة
C-2	دعامة
D-1	مسمار ملولب

4. استخدم مفتاح الربط السداسي (الأنكيه) المرفق في ربط المسمار الملولب في اتجاه عقارب الساعة لتثبيت الواقي بإحكام.

تركيب بكرات الفرشاة

1. ادفع محور عمود الإدارة في عمود الإدارة (الشكل E). الشكل E انظر أدناه للتعرف على شرح الأجزاء:

E-1	عمود الإدارة
E-2	محور عمود الإدارة

2. لتثبيت محور عمود الإدارة في عمود الإدارة بإحكام، أدخل تيلة القفل في فتحة القفل.
5. اربط الصامولة المجنحة بإحكام. تعيينه في مكانه.

ملاحظة: تيلة القفل في حاجة للتثبيت في موضعها الصحيح (الشكل F).

الشكل F انظر أدناه للتعرف على شرح الأجزاء:

F-1	تيلة القفل
F-2	فتحة القفل

3. اتبع نفس الخطوات عند تركيب محور عمود الإدارة الأخرى.
4. ادفع بكرة الفرشاة في محور عمود الإدارة (الشكل G).

الشكل G انظر أدناه للتعرف على شرح الأجزاء:

G-1	بكرة الفرشاة
G-2	محور عمود الإدارة

5. أدخل تيلة الربط في الفتحة الموجودة في الطرف لتثبيت بكرة الفرشاة مع محور عمود الإدارة بإحكام (الشكل H).

الشكل H انظر أدناه للتعرف على شرح الأجزاء:

H-1	تيلة ربط
-----	----------

6. اتبع نفس الخطوات عند تركيب بكرة الفرشاة الأخرى.

توصيل ملحق الفرشاة ذات الشعر برأس الطاقة

تحذير: لا تقم أبدًا بتركيب أو تعديل أي ملحق بينما رأس الطاقة تعمل أو البطارية قد تم تركيبها. عدم إيقاف المحرك وخلع البطارية قد يؤدي إلى وقوع إصابات شخصية خطيرة.

ملحق الفرشاة ذات الشعر هذا مصمم للاستخدام مع رأس الطاقة PH1400E من شركة EGO.

- أوقف المحرك واخلع مجموعة البطارية.
- فك الصامولة المجنحة من وصلة رأس الطاقة.
- إذا كان الغطاء الخارجي مثبتًا على عمود الملحق، اخلعه واحتفظ به في مكان آمن لاستخدامه لاحقًا.

قم بمحاذاة السهم الموجود بعمود الفرشاة ذات الشعر مع السهم الموجود بالوصلة (الشكل I)، وادفع عمود الفرشاة ذات الشعر في الوصلة إلى أن تسمع صوت «نقرة» واضحة (الشكل J).

الشكل I انظر أدناه للتعرف على شرح الأجزاء:

I-1	زر تحرير العمود
I-2	السهم على الوصلة
I-3	صامولة مجنحة
I-4	السهم على عمود الملحق
I-5	خط أحمر

الشكل J انظر أدناه للتعرف على شرح الأجزاء:

J-1	خط أحمر
-----	---------

4. اسحب عمود ملحق الفرشاة ذات الشعر برفق للتحقق من ثباته بإحكام في الوصلة. إن لم يكن ثابتًا، حرك عمود الفرشاة ذات الشعر للخلف وللأمام في الوصلة إلى أن تسمع صوت «نقرة» واضحة تشير إلى

تحذير: تأكد من ربط الصامولة المجنحة الموجودة بالوصلة حتى النهاية جيدًا قبل تشغيل الآلة؛ وتحقق من ربطها بانتظام أثناء الاستخدام لتجنب التعرض لإصابات شخصية خطيرة.

خلع الملحق من رأس الطاقة

- أوقف المحرك واخلع مجموعة البطارية.
- فك الصامولة المجنحة.
- أثناء الضغط مع التثبيت على زر تحرير العمود، اسحب أو لف عمود ملحق الفرشاة ذات الشعر لخلعه من رأس الطاقة.

التشغيل

تحذير: لا تسمح لاعتيادك على تشغيل هذا المنتج أن يجعلك مستهينًا عند التعامل معه. ولا تنس أن الاستهتار لجزء من الثانية كافٍ للتسبب في حدوث إصابات خطيرة.

تحذير: ارتد بشكل دائم أدوات حماية العينين، بالإضافة إلى أدوات حماية السمع. قد ينجم عن عدم الامتثال لذلك دخول أشياء في عينيك، واحتمالية وقوع إصابات خطيرة.

تحذير: لا تستخدم أي مرفقات أو ملحقات سوى تلك الموصى بها من قبل الشركة الصانعة لهذا المنتج. لأن استخدام مرفقات أو ملحقات غير موصى بها قد يؤدي إلى وقوع إصابات شخصية خطيرة.

الاستخدامات

يمكنك استخدام هذا المنتج في الغرض الموضح أدناه:

- تنظيف الباحات والممرات، بما في ذلك الأسطح غير المعبدة أو المقسمة إلى قطع.
- تنظيف الرصيف/الخرسانة/الطرق الأسفلتية، والممشى، والفناء.

تحذير: احرص على ارتداء ملابس ملائمة للحد من خطر التعرض لإصابات أثناء تشغيل هذه الآلة. لا ترتد ملابس أو مجوهرات غير ثابتة. ارتد أدوات حماية العينين. احرص على ارتداء بنطال طويل قوي، وحذاء ذي ربة، وقفازات. لا ترتد بنطالين قصيرين أو صنادل أو أن تكون حافي القدمين.

إذا كان السطح المراد تنظيفه جافًا، قم برش الماء عليه لتقليل كمية الأتربة الناشئة عن التنظيف.

يجب أن يكون اتجاه العمل بالفرشاة ذات الشعر للأمام. أمسك الفرشاة ذات الشعر وإحدى يديك على المقبض الخلفي، واليد الأخرى على مقبض المساعدة الأمامي. أمسك الفرشاة ذات الشعر بكتلتا يديك بإحكام أثناء التشغيل.

أمسك الفرشاة ذات الشعر ووجهها بزواوية مائلة. إذا تم إمساك الفرشاة ذات الشعر بزواوية حادة للغاية، ستميل إلى الارتداد للخلف ناحية مشغل الآلة.

أمسك المقابض بإحكام وحافظ على توازن قدميك (الشكل K).

قد تتسبب الأشياء المتطايرة في تعريض مشغل الآلة أو المراقبين للإصابات الخطيرة. للحد من خطر التعرض لإصابة شخصية، من الضروري اتباع الإجراءات الاحترازية التالية:

- احرص دائماً على الإمساك بالفرشاة ذات الشعر بكلتا يديك أثناء التشغيل. أمسك المقبضين بإحكام.
- انقل الفرشاة ذات الشعر إلى منطقة العمل قبل بدء التشغيل، ثم ابدأ تشغيل الفرشاة ذات الشعر بسرعة منخفضة.
- للحد من خطر التعرض لإصابات بسبب فقد التحكم، أمسك الفرشاة ذات الشعر ووجهها بزاوية مائلة. إذا تم إمساك الفرشاة ذات الشعر بزواوية حادة للغاية، ستميل إلى الارتداد للخلف ناحية مشغل الآلة.

قبل كل استخدام، افحص الأجزاء التالفة/المتآكلة

افحص بكرة الفرشاة والواقي ومقبض المساعدة الأمامي ومحور عمود الإدارة، واستبدل الأجزاء المشققة أو الملتوية أو المتشعبة أو التالفة بأي شكل من الأشكال.

تنظف الفرشاة ذات الشعر بعد كل استخدام

راجع قسم الصيانة للتعرف على تعليمات التنظيف.

ليبدء تشغيل/إيقاف الآلة

راجع قسم "تشغيل/إيقاف رأس الطاقة" الموجود في دليل تشغيل رأس الطاقة PH1400E.

الصيانة

تحذير: استخدم فقط قطع غيار أصلية عند إجراء أعمال الصيانة. لأن استخدام أي أجزاء أخرى قد ينشأ عنه خطر أو يتسبب في تعرض المنتج للتلوث. لضمان السلامة والاعتمادية، يجب تنفيذ جميع أعمال الإصلاح من قبل فني خدمة مؤهل.

تحذير: لا تحتاج الآلات العاملة بالبطارية إلى توصيلها بمصدر تيار كهربائي؛ ولهذا فهي دائماً ما تكون جاهزة للتشغيل. لمنع وقوع إصابات شخصية خطيرة، تعامل بحذر شديد عند تنفيذ أعمال الصيانة، أو الخدمة، أو تغيير ملحق الجز أو الملحقات الأخرى.

تحذير: لمنع التعرض لإصابات شخصية خطيرة، اخلع مجموعة البطارية من رأس الطاقة وانتظر حتى توقف بكرة الفرشاة قبل إجراء أعمال الصيانة، أو التنظيف، أو تغيير الملحقات الإضافية، أو عند عدم استخدام المنتج.

الصيانة العامة

تحذير: لا تسمح في أي وقت من الأوقات بملامسة سوائيل الفرامل أو البنزين أو المنتجات القائمة على البنترول أو الزيت المتغلغل أو ما شابههم للأجزاء البلاستيكية من المشغل. لأن المواد الكيميائية قد تتسبب في تلف الأجزاء البلاستيكية أو ضعفها أو تدميرها، وهو ما قد يؤدي إلى وقوع إصابات خطيرة.

تحذير: عند تنظيف ملحق الفرشاة ذات الشعر، لا تغمره في الماء أو أي سائل أخرى. لا تقم بتنظيف ذلك باستخدام مغسلة

الضغط العالي. حيث أن الماء المتدفق بقوة قد يتسبب في تلف أجزاء الآلة.

صيانة بكرة الفرشاة

- تنظف بكرة الفرشاة بانتظام.
 - إذا كانت هناك أي بكرة من بكرتي الفرشاة بحاجة لاستبدال نتيجة تلفها، فقم بتغيير كلتيهما لتحقيق أفضل أداء.
- يجب تنفيذ جميع أعمال صيانة الفرشاة ذات الشعر من قبل فني صيانة معتمد، باستثناء البنود المدرجة في تعليمات الصيانة هذه.

استبدال بكرات الفرشاة

تحذير: قد تنكسر بكرة الفرشاة التالفة إلى أجزاء بعد الاستخدام لفترة طويلة، وهو ما قد يتسبب في تطاير مقذوفات خطيرة. لأن الأشياء المتطايرة قد تتسبب في إصابات خطيرة. افحص حالتها بانتظام، ولا تقم بتشغيل الفرشاة ذات الشعر وبها أجزاء متهالكة أو تالفة.

للخلع (الشكل L)

- اخلع تيلة الربط من طرف محور عمود الإدارة.
- اسحب بكرة الفرشاة، مع وجود لوح الغطاء عليها، من محور عمود الإدارة.
- إذا كان محور عمود الإدارة تالفاً، اخلع تيلة القفل من الفتحة الموجودة في محور عمود الإدارة، واسحب محور عمود الإدارة من عمود الإدارة (الشكل M).
- إذا كان لوح الغطاء تالفاً، اسحبه من بكرة الفرشاة واستبدله.
- اتبع نفس الخطوات عند خلع بكرة الفرشاة الأخرى. الشكل L انظر أدناه للتعرف على شرح الأجزاء:

L-1	تيلة ربط	L-4	عمود الإدارة
L-2	لوح الغطاء	L-5	تيلة القفل
L-3	محور عمود الإدارة	L-6	بكرة الفرشاة

للتركيب

- قم بتركيب محور عمود الإدارة في عمود الإدارة، وأدخل تيلة القفل في الفتحة الموجودة بمحور عمود الإدارة (راجع الشكل F).
 - قم بتركيب لوح الغطاء في بكرة الفرشاة، مع مراعاة محاذاة الدعامة الموجودة في لوح الغطاء مع الفتحة الموجودة في بكرة الفرشاة (الشكل N).
- الشكل N انظر أدناه للتعرف على شرح الأجزاء:

N-1	فتحة
N-2	دعامة

- ادفع بكرة الفرشاة في محور عمود الإدارة (راجع الشكل G).
- أدخل تيلة الربط في الفتحة الموجودة بطرف محور عمود الإدارة، واطوها لتصبح مسطحة.
- اتبع نفس الخطوات عند تركيب بكرة الفرشاة الأخرى.

تحذير: احرص دائماً على استبدال كلتا بكرتي الفرشاة في نفس الوقت.

حماية البيئة



لا تتخلص من المعدات الكهربائية وشاحن البطارية والبطاريات العادية/البطاريات القابلة لإعادة الشحن في النفايات المنزلية! وفقًا للقانون الأوروبي 2012/19/EU، فإن المعدات الكهربائية والإلكترونية التي لم تعد صالحة للاستخدام، ووفقًا للقانون الأوروبي 2006/66/EC، فإن مجموعات البطارية/

البطاريات المعطوبة أو المستهلكة، يجب جمعها بشكل منفصل. إذا تم التخلص من الأجهزة الكهربائية في أكوام القمامة أو مقلب النفايات، قد تتسرب مواد خطيرة في المياه الجوفية وتصل إلى السلسلة الغذائية، وهو ما يضر بالصحة والعافية.

تنظيف الوحدة

- اخلع البطارية.
- أزل أجزاء الجذور أو كتل التربة، أو النباتات من بكرات الفرشاة أو الواقي أو صندوق ناقل الحركة. للتنظيف الجيد، اخلع بكرات الفرشاة والواقي لتنظيفهم جيدًا. للتعرف على خطوات الاستبدال المفصلة، يُرجى مراجعة قسم «استبدال بكرات الفرشاة» أعلاه.
- حافظ على خلو فتحات الهواء من العوائق.

تخزين الوحدة

- اخلع مجموعة البطارية من الآلة.
- نظف الآلة جيدًا وافحص بكرات الفرشاة.
- اخلع ملحق الفرشاة ذات الشعر من رأس الطاقة، وقم بتغطية عمود الملحق بالغطاء الخارجي لتجنب دخول الأوساخ في الوصلة.
- خزن الآلة في منطقة جافة جيدة التهوية، بحيث يكون في مكان مقفل أو عالٍ عن سطح الأرض بعيدًا عن متناول أيدي الأطفال. لا تقم بتخزين الوحدة على الأسمدة أو البنزين أو المواد الكيميائية الأخرى، أو بجوارها.

استكشاف الأعطال وإصلاحها

المشكلة	السبب	الحل
لا يمكن بدء تشغيل الفرشاة ذات الشعر.	<ul style="list-style-type: none"> مجموعة البطارية غير مركبة كما ينبغي في رأس الآلة العاملة بالطاقة. لا يوجد اتصال كهربائي بين رأس الطاقة ومجموعة البطارية. نقد شحن مجموعة البطارية. لم يتم الضغط على ذراع الفقل والزناد في رأس الطاقة بشكل متزامن. ما زال من غير الممكن تشغيلها بعد معالجة الأسباب أعلاه. 	<ul style="list-style-type: none"> قم بتثبيت مجموعة البطارية في رأس الآلة العاملة بالطاقة. اخلع البطارية، وافحص التوصيلات، ثم أعد تركيب مجموعة البطارية، بحيث تتشكك في مكانها. اشحن مجموعة البطارية بشاحن EGO المدرج في هذا الدليل. اضغط مع التثبيت على ذراع الفقل، ثم اضغط مع التثبيت على الزناد للتشغيل. تواصل مع قسم خدمة العملاء بشركة EGO.
لا بد أن الفرشاة ذات الشعر تالفة.	<ul style="list-style-type: none"> حدث تلف غير طبيعي أثناء النقل أو الاستخدام. 	<ul style="list-style-type: none"> تواصل مع قسم خدمة العملاء بشركة EGO.
تتوقف الفرشاة ذات الشعر أثناء العمل.	<ul style="list-style-type: none"> هناك حمل زائد على المحرك. مجموعة البطارية أو رأس الطاقة ساخنان للغاية. مجموعة البطارية مفصولة من الآلة. نقد شحن مجموعة البطارية. ما زال من غير الممكن تشغيلها بعد معالجة الأسباب أعلاه. 	<ul style="list-style-type: none"> سيعاود المحرك العمل عند التخلص من الحمل الواقع عليه. للتشغيل المتواصل، قلل الحمل على الفرشاة ذات الشعر. اترك مجموعة البطارية أو رأس الطاقة يبردان إلى أن تهبط درجة حرارتهم إلى ما دون 67 درجة مئوية. أعد تركيب مجموعة البطارية. اشحن مجموعة البطارية بشاحن EGO المدرج في هذا الدليل. تواصل مع قسم خدمة العملاء بشركة EGO.

الضمان

سياسة ضمان EGO

تفضل بزيارة الموقع الإلكتروني egopowerplus.com للتعرف على الشروط والأحكام الكاملة الخاصة بسياسة ضمان EGO.

