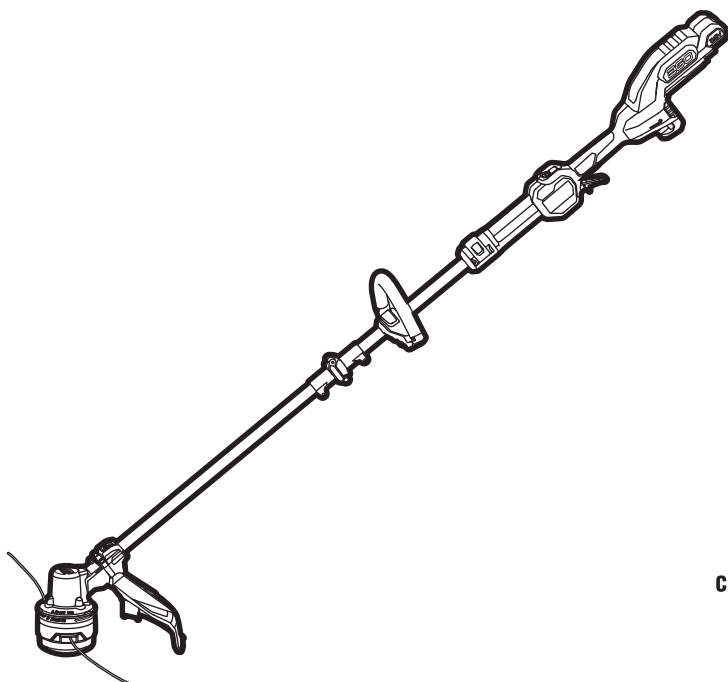


EGO™

POWER⁺ STRING TRIMMER



OPERATOR'S MANUAL

56-VOLT LITHIUM-ION CORDLESS 16" STRING TRIMMER

Français p. 35

Español p. 73

MODEL NUMBER
ST1620T/ST1620T-FC

⚠ WARNING: To reduce the risk of injury, the user must read and understand the Operator's Manual before using this product. Save these instructions for future reference.



TABLE OF CONTENTS

Safety Symbols	3
Safety Instructions	4-9
Introduction	9
Specifications	10
Packing List	10
Description	11-13
Assembly	14-18
Operation	19-25
Maintenance	26-29
Troubleshooting	30-32
Warranty	33-34

READ ALL INSTRUCTIONS!



READ & UNDERSTAND
INSTRUCTION MANUAL

SAFETY SYMBOLS

The purpose of safety symbols is to attract your attention to possible dangers. The safety symbols and the explanations with them deserve your careful attention and understanding. The symbol warnings do not, by themselves, eliminate any danger. The instructions and warnings they give are no substitutes for proper accident prevention measures.

⚠ WARNING: Be sure to read and understand all safety instructions in this Operator's Manual, including all safety alert symbols such as "**DANGER**," "**WARNING**," and "**CAUTION**" before using this tool. Failure to follow all instructions listed below may result in electric shock, fire, and/or serious personal injury.

SYMBOL MEANING

⚠ SAFETY ALERT SYMBOL: Indicates DANGER, WARNING, OR CAUTION. May be used in conjunction with other symbols or pictographs.



⚠ WARNING: The operation of any power tools can result in foreign objects being thrown into your eyes, which can result in severe eye damage. Before beginning power tool operation, always wear safety goggles or safety glasses with side shields and a full face shield when needed. We recommend a Wide Vision Safety Mask for use over eyeglasses or standard safety glasses with side shields. Always use eye protection which is marked to comply with ANSI Z87.1.

SAFETY INSTRUCTIONS

This page depicts and describes safety symbols that may appear on this product. Read, understand, and follow all instructions on the machine before attempting to assemble and operate it.

	Safety Alert	Indicates a potential personal injury hazard.
	Read & Understand Operator's Manual	To reduce the risk of injury, user must read and understand the operator's manual before using this product. Failure to do so can result in serious injury to the operator and/or bystander.
	Eye Protection	Always wear safety goggles or safety glasses with side shields when operating this product that comply with ANSI Z87.1
	Recycle Symbols	This product uses lithium - ion (Li - ion) batteries. Local, state, or federal laws may prohibit disposal of batteries in ordinary trash. Consult your local waste authority for information regarding available recycling and/or disposal options.
IPX4	Ingress Protection Degree	Protection from splashing water
V	Volt	Voltage
	Direct Current	Type or a characteristic of current
n_0	No-Load Speed	Rotational speed, at no load
RPM	Revolutions per minute	Rotational speed
cm	Centimeter	Length or size
mm	Millimeter	Length or size
in.	Inch	Length or size
kg	Kilogram	Weight
lb	Pound	Weight

GENERAL BATTERY-OPERATED POWER TOOL SAFETY WARNINGS

⚠ WARNING: Read all safety warnings, instructions, illustrations and specifications provided with this power tool. Failure to follow all instructions listed below may result in electric shock, fire and/or serious injury.

Save all warnings and instructions for future reference.

WORK AREA SAFETY

- **Keep work area clean and well lit.** Cluttered or dark areas invite accidents.
- **Do not operate power tools in explosive atmospheres, such as in the presence of flammable liquids, gases or dust.** Power tools create sparks which may ignite the dust or fumes.
- **Keep children and bystanders away while operating a power tool.** Distractions can cause you to lose control.
- **Avoid Dangerous Environment** - Don't use appliances in damp or wet locations.

PERSONAL SAFETY

- **Stay alert, watch what you are doing and use common sense when operating a power tool. Do not use a power tool while you are tired or under the influence of drugs, alcohol or medication.** A moment of inattention while operating power tools may result in serious personal injury.
- **Always use personal protective equipment.** Personal protective equipment such as eye protection, dust mask, non-skid safety shoes, hard hat and/or hearing protection used for appropriate conditions will reduce personal injuries.
- **Prevent unintentional starting. Ensure the switch is in the off-position before connecting to the battery pack, picking up or carrying the tool.** Carrying power tools with your finger on the switch or energizing power tools that have the switch on invites accidents.
- **Remove any adjusting key or wrench before turning the power tool on.** A wrench or a key left attached to a moving part of the power tool may result in personal injury.
- **Do not overreach. Keep proper footing and balance at all times.** This enables better control of the power tool in unexpected situations.

- **Cautionary statements regarding the use of proper clothing and footwear during operation to reduce the risk of injury that may be caused by flying debris.**
- **If devices are provided for the connection of dust extraction and collection facilities, ensure these are connected and properly used.** Use of dust collection can reduce dust-related hazards.
- **Do not let familiarity gained from frequent use of tools allow you to become complacent and ignore tool safety principles.** A careless action can cause severe injury within a fraction of a second.

POWER TOOL USE AND CARE

- **Do not force the power tool. Use the correct power tool for your application.** The correct power tool will do the job better and safer at the rate for which it was designed.
- **Do not use the power tool if the switch does not turn it on and off.** Any power tool that cannot be controlled with the switch is dangerous and must be repaired.
- **Use Right Appliance** – Do not use appliance for any job except that for which it is intended.
- **Remove the battery pack, if detachable, from the power tool and/or activate any battery disabling device before clearing jammed material, making any adjustments, changing accessories, cleaning, or storing power tools.** Such preventive safety measures reduce the risk of starting the power tool accidentally.
- **Store Idle Appliances Indoors** – When not in use, appliances should be stored indoors in dry, and high or locked-up place – out of reach of children.
- **Maintain power tools and accessories. Check for misalignment or binding of moving parts, breakage of parts and any other condition that may affect the power tool's operation. If damaged, have the power tool repaired before use.** Many accidents are caused by poorly maintained power tools and accessories.
- **Keep cutting tools sharp and clean.** Properly maintained cutting tools with sharp cutting edges are less likely to bind and are easier to control.
- **Use the power tool, accessories, tool bits, etc. in accordance with these instructions, taking into account the working conditions and the work to be performed.** Use of the power tool for operations different from those intended could result in a hazardous situation.

- **Keep handles and grasping surfaces dry, clean and free from oil and grease.** Slippery handles and grasping surfaces may lead to unsafe handling and/or loss of control of the tool.
- **Keep cables away from the working area of the tool.** During operation cables may be hidden from view and can be accidentally damaged by the tool.

BATTERY TOOL USE AND CARE

- **Recharge only with the charger specified by the manufacturer.** A charger that is suitable for one type of battery pack may create a risk of fire when used with another battery pack. Use only with the battery packs and chargers listed below.

BATTERY PACK	CHARGER
BA1400, BA1400-FC, BA2800, BA2800-FC, BA4200, BA4200-FC, BA1400T, BA1400T-FC, BA2240T, BA2240T-FC, BA2242T, BA2242T-FC, BA2800T, BA2800T-FC, BA4200T, BA4200T-FC	CH2100, CH2100-FC, CH3200, CH3200-FC, CH5500, CH5500-FC, CH2800D, CH2800D-FC, CH7000, CH7000-FC

- **Use power tools only with specifically designated battery packs.** Use of any other battery packs may create a risk of injury and fire.
- **When battery pack is not in use, keep it away from other metal objects, like paper clips, coins, keys, nails, screws or other small metal objects, that can make a connection from one terminal to another.** Shorting the battery terminals together may cause burns or a fire.
- **Under abusive conditions, liquid may be ejected from the battery; avoid contact. If contact accidentally occurs, flush with water. If liquid contact eyes, additionally seek medical help.** Liquid ejected from the battery may cause irritation or burns.
- **Do not use a battery pack or tool that is damaged or modified.** Damaged or modified batteries may exhibit unpredictable behavior resulting in fire, explosion or risk of injury.
- **Do not expose a battery pack or tool to fire or excessive temperature.** Exposure to fire or temperature above 212 °F (100°C) may cause explosion.
- Do not modify or attempt to repair the appliance or the battery pack (as applicable) except as indicated in the instructions for use and care.

- **Follow all charging instructions and do not charge the battery pack or tool outside the temperature range specified in the instructions.** Charging improperly or at temperatures outside the specified range may damage the battery and increase the risk of fire.

SERVICE

- **Have your power tool serviced by a qualified repair person using only identical replacement parts.** This will ensure that the safety of the power tool is maintained.
- **Never service damaged battery packs.** Service of battery packs should only be performed by the manufacturer or authorized service providers

SAFETY INSTRUCTIONS FOR STRING TRIMMER

- **When replacing the cutting line, use EGO 0.095 in. (2.4 mm) nylon line;** using heavier lines than recommended by the manufacturer increases the load on the motor and reduces its operating speed. This results in overheating and damage to the trimmer.
- **To reduce the risk of serious injury, never use wire or metal-reinforced line or other material in place of the nylon cutting lines.** Pieces of wire could break off and be thrown at high speed toward the operator or bystanders.
- **Replace a cracked, damaged or worn-out cutting head immediately, even if damage is limited to superficial cracks.** Such attachments may shatter at high speed and cause serious or fatal injury.

IMPORTANT SAFETY INSTRUCTIONS

- **If the power tool should start to vibrate abnormally or become noisy, stop the motor and check immediately for the cause.** Abnormal noise is generally a warning of trouble.
- **Make sure all proper guards and other safety devices are properly and securely attached before using this product. Do not operate without guards in place.**
- **Do not charge the battery pack in rain, or in wet locations.**
- **Do not dispose of the battery in a fire.** The cells may explode. Check with local codes for possible special disposal instructions.
- **Do not open or mutilate the battery.** Released electrolyte is corrosive and may cause damage to the eyes or skin. It may be toxic if swallowed.

- **Battery tools do not have to be plugged into an electrical outlet; therefore, they are always in operating condition.** Be aware of possible hazards even when the tool is not operating. Take care when performing maintenance or service.
- **Do not wash with a hose; avoid getting water in motor and electrical connections.**
- **If situations occur that are not covered in this manual, use care and good judgment. Contact the EGO Customer Service Center for assistance.**
- **SAVE THESE INSTRUCTIONS.** Refer to them frequently and use them to instruct others who may use this tool. If you lend this tool to someone else, also lend these instructions to them to prevent misuse of the product and possible injury.

SAVE THESE INSTRUCTIONS!

INTRODUCTION

Congratulations on your selection of the new EGO POWER+ 56V Lithium-ion string trimmer. It has been designed, engineered and manufactured to give you the best possible dependability and performance.

Should you experience any problem you cannot easily remedy, please contact EGO customer service center 1-855-EGO-5656.


This manual contains important information on the safe assembly, operation and maintenance of your string trimmer. Read it carefully before using the string trimmer. Keep this manual handy so you can refer to it at any time.

SERIAL NUMBER _____ DATE OF PURCHASE _____

YOU SHOULD RECORD BOTH SERIAL NUMBER AND DATE OF PURCHASE AND KEEP IN A SAFE PLACE FOR FUTURE REFERENCE



SPECIFICATIONS

Voltage	56 V 
No-load Capital speed	Low speed range: 3500-4800 RPM
	High speed range: 4000-5500 RPM
Cutting Line Mechanism	LINE-IQ FEEDING
Cutting Line Type	0.095 in. (2.4 mm) nylon twist line
Cutting Width	16 in. (40 cm)
Operating Temperature	32°F – 104°F (0°C – 40°C)
Storage Temperature	-4°F – 158°F (-20°C – 70°C)
Net Weight (including the guard)	7.67 lbs. (3.48 kg)

RECOMMENDED ACCESSORIES

PART NAME	MODEL NUMBER
Cutting Line	AL2420P/AL2450S/AL2420PD
Shoulder Strap	AP1500

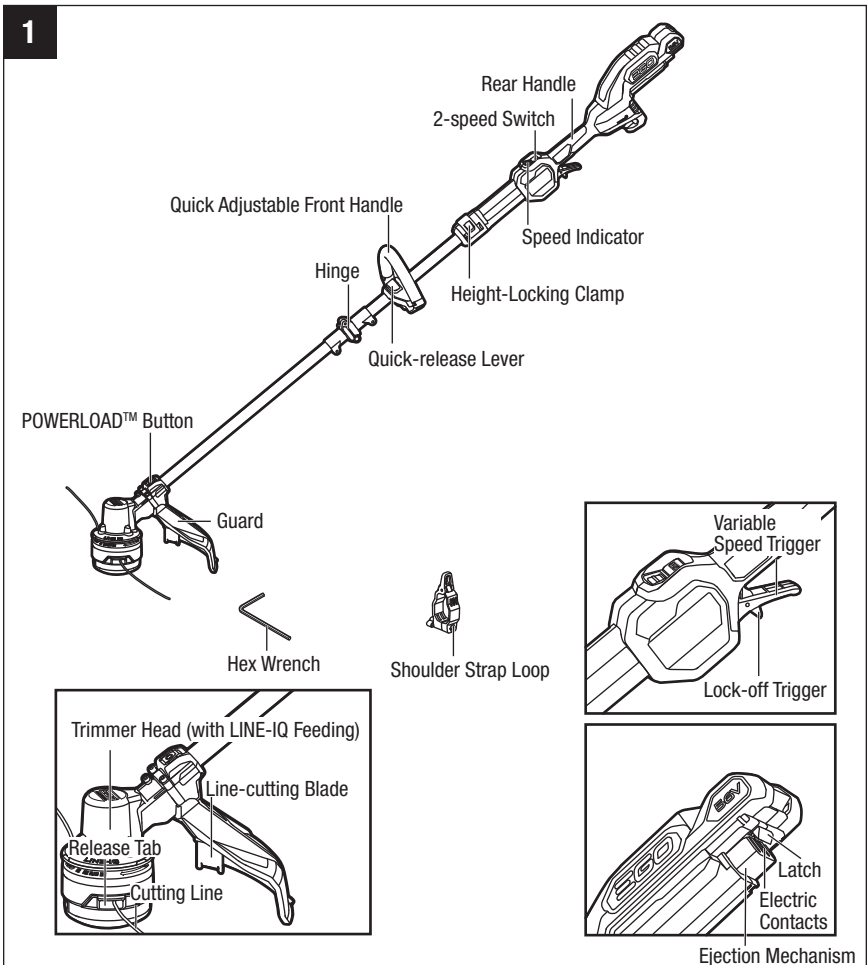
PACKING LIST

PART NAME	QUANTITY
String Trimmer	1
Bolt for Locking shaft	1
Guard (with two screws preassembled on the guard)	1
Quick Adjustable Front Handle Assembly	1
Hex Wrench	1
Dual color cutting line (AL2420PD)	1
Shoulder Strap Loop	1
Operator's Manual	1

DESCRIPTION

KNOW YOUR STRING TRIMMER (Fig. 1)

The safe use of this product requires an understanding of the information on the tool and in this operator's manual, as well as knowledge of the project you are attempting. Before using this product, familiarize yourself with all operating features and safety rules.



⚠ WARNING: Never operate the tool without the guard firmly in place. The guard must always be on the tool to protect the user.

QUICK ADJUSTABLE FRONT HANDLE

For easy control of the trimmer during cutting.

REAR HANDLE

Ergonomic handle with over mold improves comfort and grip.

VARIABLE SPEED TRIGGER

Turns the string trimmer On and Off.

LOCK-OFF SWITCH

Helps to prevent accidental activation of the trigger. It must be depressed before the variable speed trigger can be activated.

SHOULDER STRAP LOOP

For attaching the shoulder strap.

2-SPEED SWITCH

Switches between high and low cutting speed ranges for different tasks, as needed.

SPEED INDICATOR

Displays the current cutting speed.

GUARD

Reduces the risk of injury from foreign objects being flung backwards toward the operator and from contact with the cutting attachment.

LINE-CUTTING BLADE

Steel blade on the guard that maintains the cutting line at the proper length.

HEIGHT-LOCKING CLAMP

The handle can be quickly adjusted to accommodate any size person, helping to ensure an ideal, comfortable working height.

TRIMMER HEAD (with LINE-IQ FEEDING)

Stores the cutting line; releases the cutting line automatically when one end of the cutting line wears too short.

POWERLOAD™ BUTTON

Used to automatically wind the cutting line into the trimmer head.

HINGE

Connects and locks the two foldable shafts.

BATTERY-RELEASE BUTTON

Releases the battery pack from the tool.

LATCH

Secures the battery pack to the tool.

EJECTION MECHANISM

Aids in battery removal.

ASSEMBLY

⚠ WARNING: If any parts are damaged or missing, do not operate this product until the parts are replaced. Use of this product with damaged or missing parts could result in serious personal injury.

⚠ WARNING: Do not attempt to modify this product or create accessories not recommended for use with this product. Any such alteration or modification is misuse and could result in a hazardous condition leading to possibly serious personal injury.

⚠ WARNING: Always wear heavy gloves when doing any maintenance on the blade. Be careful of the blade and protect your hands from being injured by the blade.

⚠ WARNING: To prevent accidental starting that could cause serious personal injury, always remove the battery pack from the tool when assembling parts, making adjustments, cleaning, or when not in use.

UNPACKING

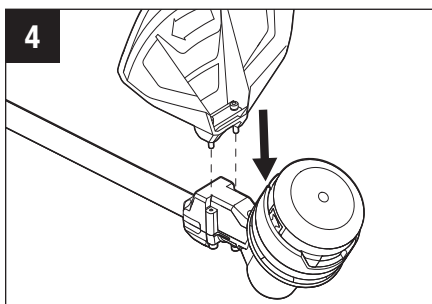
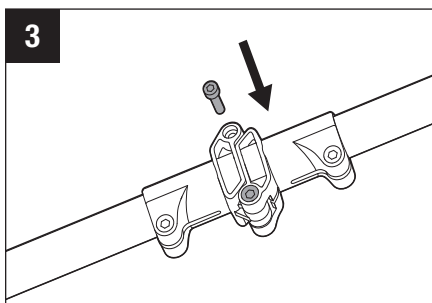
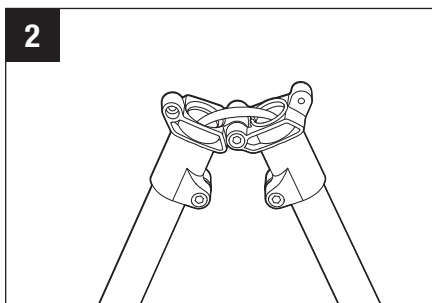
- This product requires assembly.
- Carefully remove the product and any accessories from the box. Make sure that all items listed in the packing list are included.
- Inspect the tool carefully to make sure that no breakage or damage occurred during shipping
- Do not discard the packing material until you have carefully inspected and satisfactorily operated the tool.
- If any parts are damaged or missing, please return the product to the place of purchase.

UNFOLDING THE SHAFT

⚠ WARNING: In order to avoid pinching your hands or fingers, do not hold the shaft at the joint.

⚠ WARNING: Do not attempt to start the trimmer until the shaft has been locked.

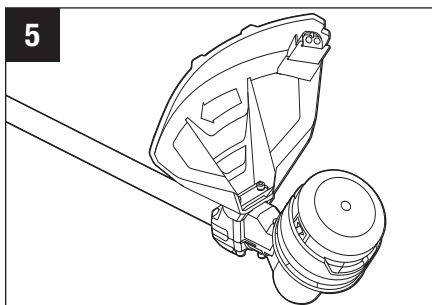
1. Remove the battery pack from the trimmer.
2. Put your trimmer on the ground or the floor and make sure that the cable is inside the shaft, so that it will not be pinched when closing the hinge. Carefully unfold the shaft until the two holes in the hinge are accurately aligned (Fig. 2).
3. Insert the bolt (supplied) and tighten it with the supplied hex wrench to lock the shaft in place (Fig. 3).



MOUNTING THE GUARD

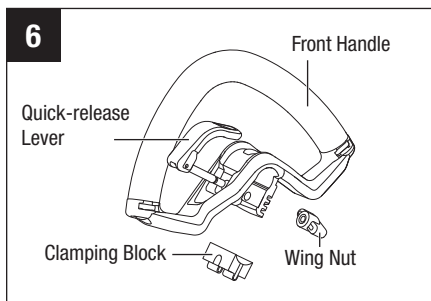
⚠ WARNING: Always wear gloves when mounting or replacing the guard. Be careful of the blade on the guard and protect your hands from being injured by the blade.

1. Remove the battery pack from the trimmer.
2. Lay the trimmer on the ground or the floor with the trimmer head facing upward.
3. Align the two screws, which are preassembled on the guard, with the two screw holes in the shaft (Fig. 4), and then tighten them with the screwdriver (Fig. 5).



MOUNTING AND ADJUSTING THE FRONT HANDLE

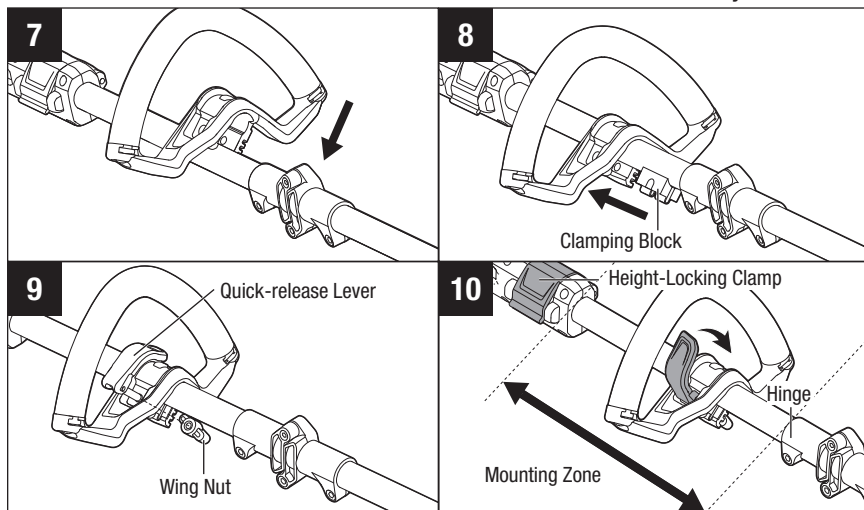
1. Loosen and remove the quick-release lever and wing nut from the front handle (Fig. 6).
2. Push the front handle onto the shaft within the mounting zone between the height-locking clamp and the hinge (Fig. 7).
3. Insert the clamping block into the handle slot (Fig. 8).
4. Mount the quick-release lever and pre-tighten the wing nut. Make sure that the front handle is positioned upwards and points toward the top of the rear handle (Fig. 9).
5. Pull the quick-release lever up to move/rotate the front handle to a comfortable operating position (Fig. 10).



NOTICE: The front handle should be positioned on the shaft only within the mounting zone (Fig. 10).

6. Engage the quick-release lever to secure the front handle in place.

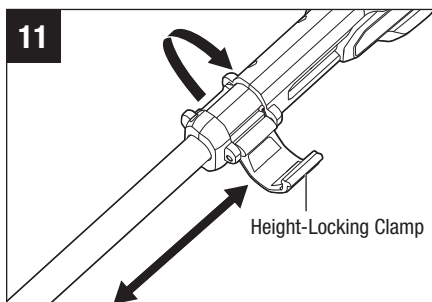
! WARNING: Never use the trimmer without the front handle securely attached.



ADJUSTING THE TRIMMER HEIGHT

If the length of the shaft is not suitable for operation, you can adjust the length of the shaft with the height-locking clamp.

1. Remove the battery pack from the trimmer.
2. To adjust the trimmer height (i.e., shaft length), open the height-locking clamp, and then slide the shaft up or down to desired height, securing it in place by depressing the height-locking clamp. (Fig. 11)

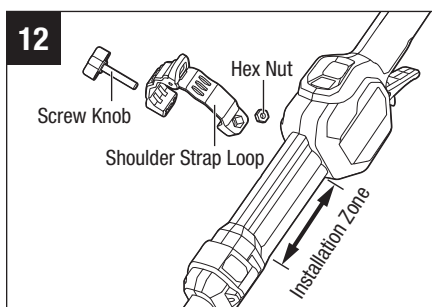


NOTICE: The front handle may need to be repositioned after the trimmer height is changed.

ATTACHING SHOULDER STRAP (SOLD SEPARATELY, MODEL NUMBER: AP1500)

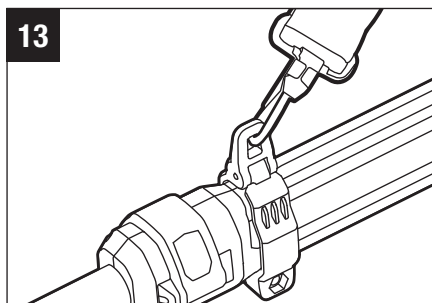
For safe and better operation, put the strap over one of your shoulders and across your back.

1. Loosen the screw knob and hex nut from the shoulder strap loop.
2. Attach the shoulder strap loop onto the shaft within the installation zone (Fig. 12).
3. Tighten the screw knob and hex nut.



4. Depress the shoulder strap carabiner to open it and attach the shoulder strap to the strap loop (Fig.13).
5. Adjust the shoulder strap length and placement to a comfortable operating position – hold the trimmer with both hands: one hand on the rear handle and the other hand on the front handle (Fig. 14).

WARNING: When an emergency occurs, take the shoulder strap off from your shoulder immediately, no matter what way the strap is on.



OPERATION

⚠ WARNING: Do not allow familiarity with this product to make you careless. Remember that a careless fraction of a second is sufficient to inflict serious injury.

⚠ WARNING: Always wear eye protection that is marked to comply with ANSI Z87.1. Failure to do so could result in objects being thrown into your eyes and other possible serious injuries.

⚠ WARNING: Do not use any attachments or accessories not recommended by the manufacturer of this product. The use of attachments or accessories not recommended can result in serious personal injury.

⚠ WARNING: To prevent serious personal injury, remove the battery pack from the tool before servicing, cleaning, changing attachments, or removing material from the unit.

APPLICATION

You may use this product for the purposes listed below:

- Trimming grass and weeds from around porches, fences, and decks.
- Cutting grass that is difficult to reach with a normal lawn mower.

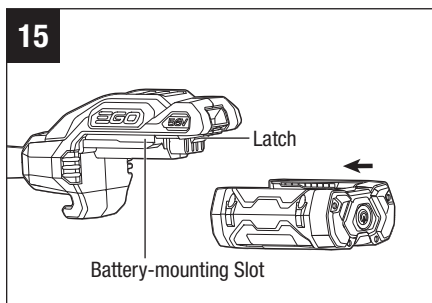
TO INSTALL/REMOVE BATTERY PACK

⚠ WARNING: Always remove the battery pack from the product when you are assembling parts, making adjustments, cleaning, or when it is not in use. Removing the battery pack will prevent accidental starting that could cause serious personal injury.

NOTE: Fully charge the battery pack before first use.

To install battery pack (Fig. 15)

1. Align the ribs of the battery pack with the battery-mounting slots in the string trimmer.
2. Slide the battery pack in until it snaps into position.

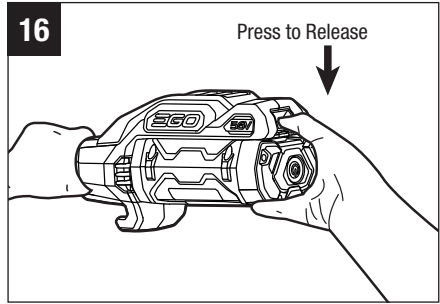


NOTE: Make sure that the latch on the string trimmer snaps into place and the battery pack is secured to the tool before beginning operation.

To remove battery pack (Fig. 16)

⚠ WARNING: Always be aware of the location of your feet and children or pets around you when pressing the battery release button. NEVER remove the battery pack at a high position. Serious injury could result if the battery pack falls.

1. Hold the battery pack in the palm of your hand.
2. Press the battery-release button with your thumb; the battery pack will disengage from the latch.
3. Grasp the battery pack and remove it from the string trimmer.



Before each use check for damaged/worn parts

Check the trimmer head, guard, shoulder strap, shoulder strap loop, and front handle. Replace any parts that are cracked, warped, bent, or damaged in any way.

The line-cutting blade on the edge of the guard can dull over time. It is recommended that you periodically sharpen it with a file or replace it with a new blade.

⚠ WARNING: Always wear gloves when mounting or replacing the guard or when sharpening or replacing the line-cutting blade. Note the location of the blade on the guard and protect your hands from injury.

Clean the trimmer after each use

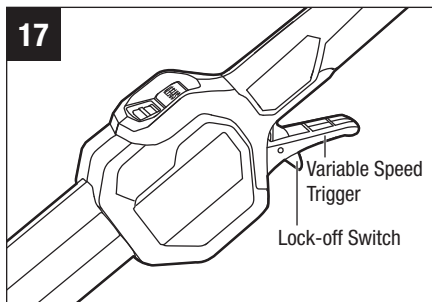
See the maintenance section for cleaning instruction.

⚠ WARNING: Never use water for cleaning your trimmer. Avoid using solvents when cleaning plastic parts. Most plastics are susceptible to damage from various types of commercial solvents. Use clean clothes to remove dirt, dust, oil, grease, etc.

STARTING/STOPPING THE STRING TRIMMER

To Start

1. Move the lock-off switch forward and then press the variable speed trigger. The string trimmer will start.
2. The rotational speed of the trimmer head is controlled with the variable speed trigger. More pressure on the trigger results in higher speed; less pressure on the trigger results in lower speed. Adjust the speed to suit the task at hand (Fig. 17).



NOTICE: The motor starts only when the lock-off switch is moved forward and the variable speed trigger is depressed at the same time.

To Stop the string trimmer

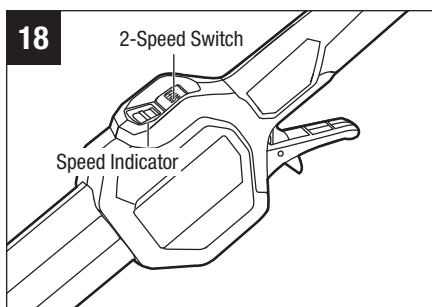
Move the string trimmer away from the cutting area and release the variable speed trigger to stop the tool.

⚠ WARNING: Always remove the battery pack from the string trimmer during work breaks and after finishing work.

Speed Adjustment Function (Fig. 18)

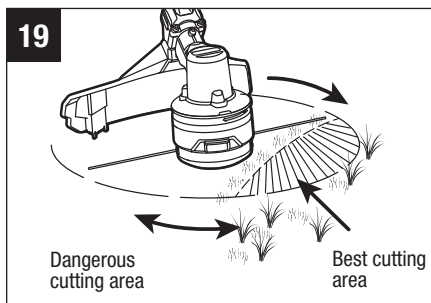
The string trimmer has two speed settings. Press the 2-speed switch to change cutting speed between the low and high.

The speed indicator will display the active speed status: one light for low speed and two lights for high speed. The low speed range provides better control of the trimmer and longer operating time per charge.



TIPS FOR BEST TRIMMING (Fig. 19)

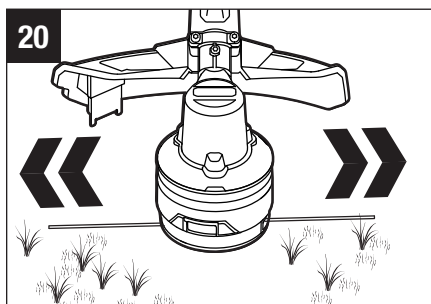
- The correct angle for the cutting attachment is parallel to the ground.
- Do not force the trimmer. Allow the very tip of the line to do the cutting (especially along walls). Cutting with more than the tip will reduce cutting efficiency and may overload the motor.
- The cutting height is determined by the distance of the cutting line from the lawn surface.
- Grass over 8 inches (200mm) should be cut by working progressively from top to the bottom in small increments to avoid premature line wear or motor drag.
- Slowly move the trimmer into and out of the area being cut, maintaining the cutting head position at the desired cutting height. This movement can be either a forward-backward motion or a side-to-side motion. Cutting shorter lengths produces best results.
- Trim only when grass and weeds are dry.
- Wire and picket fences can cause extra string wear or breakage. Stone and brick walls, curbs, and wood may wear strings rapidly.
- Avoid trees and shrubs. Tree bark, wood moldings, siding, and fence posts can easily be damaged by the strings.



ADJUSTING THE CUTTING LINE LENGTH

The Line-IQ feeding trimmer head is equipped with advanced technology.

If either end of the cutting line wears less than 7 inches (18cm) during trimming, trimmer head will release cutting line automatically, and the extra part of the cutting line will be cut off by the line-cutting blade (Fig. 20).



NOTICE: No need to tap the trimmer head to release the cutting line. If you feel a

slight tremor of the trimmer head when trimming the grass, it is the cutting line being automatically released.

⚠ WARNING: Do not remove or alter the line-cutting blade assembly. Excessive line length will cause the motor to overheat and may result in serious personal injury.

LINE REPLACEMENT

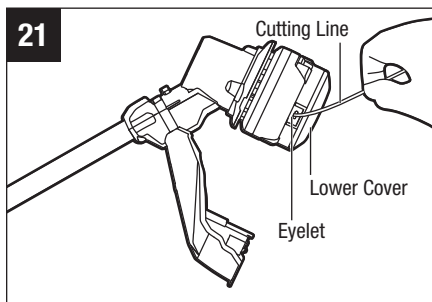
⚠ WARNING: Never use metal-reinforced line, wire, or rope, etc. These can break off and become dangerous projectiles.

⚠ WARNING: Always use the recommended nylon cutting line with a diameter of 0.095 in. (2.4 mm). Using line other than that specified may cause the tool to overheat or become damaged.

The string trimmer is equipped with an advanced POWERLOAD™ system. The cutting line can be wound onto the spool simply by pressing a single button. Loading a full spool can usually be completed in 12 seconds. **Avoid repeated operation of the winding system in rapid succession to reduce the possibility of motor damage.**

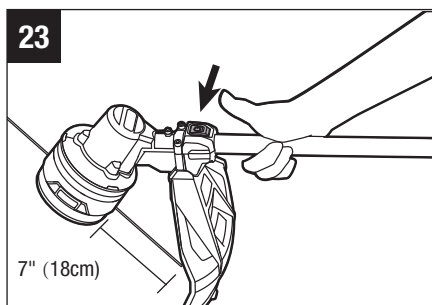
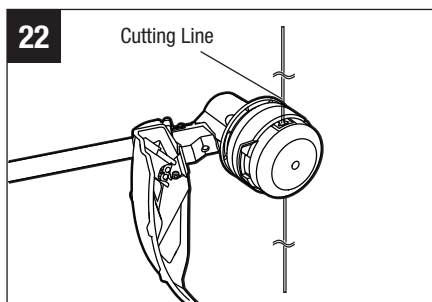
1. Remove the battery pack from the trimmer.
2. Cut one piece of cutting line 14 ft. (4 m) long.
3. Insert the line into the eyelet (Fig. 21) and push the line until the end of the line comes out of the opposite eyelet.

NOTICE: It is not necessary to align the eyelets in order to insert the cutting line. If the line cannot be inserted into the eyelet, mount the battery pack onto the trimmer, then press the POWERLOAD button briefly to reset the winding mechanism.



4. Remove the battery pack if it has been mounted onto the trimmer in step 3.

5. Pull the line from the other side until equal lengths of the line appear on both sides of the trimmer head (Fig. 22).
6. Install the battery pack onto the string trimmer.
7. Press and hold the POWERLOAD button to start the line-winding motor. The line will be wound into the trimmer head continuously (Fig. 23).
8. Watch the remaining line length carefully. Prepare to release the button as soon as approximately 8.5 inches (22 cm) of line are left on each side. Briefly press the line loading button to adjust the length until 7 inches (18 cm) of the line is showing on each side.

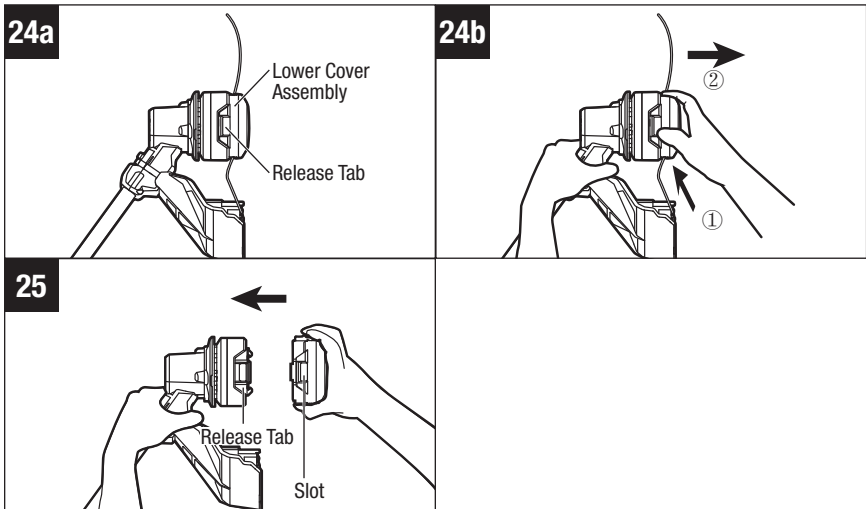


NOTICE: In case the line is pulled into the trimmer head by accident, open the head and pull the cutting line out from the spool. Follow the section “**RELOAD THE CUTTING LINE**” in this manual to reload the line.

RELOAD THE CUTTING LINE

NOTICE: When the cutting line gets stuck in the trimmer head, you will need to remove the remaining cutting line from the trimmer head and follow the steps below to reload the line.

1. Remove the battery pack from the trimmer.
2. Press the release tabs on the trimmer head and remove the lower cover assembly of the trimmer head by pulling it straight out (Fig. 24a & 24b).
3. Remove the cutting line from the trimmer head.
4. With one hand holding the trimmer, use another hand to grasp the lower cover assembly and align the slots in the lower cover assembly with the release tabs. Press the lower cover assembly until it snaps into place, at which time you will hear a distinct click sound (Fig. 25).
5. Follow the instructions in the “**LINE REPLACEMENT**” section to reload the cutting line.



MAINTENANCE

⚠ WARNING: When servicing, use only identical replacement parts. Use of any other parts may create a hazard or cause product damage. To ensure safety and reliability, all repairs should be performed by a qualified service technician.

⚠ WARNING: Battery tools do not have to be plugged into an electrical outlet; therefore, they are always in operating condition. To prevent serious personal injury, take extra precautions and care when performing maintenance, service, or when changing the cutting attachment or other attachments.

⚠ WARNING: To prevent serious personal injury, remove the battery pack from the tool before servicing, cleaning, or removing material from the unit.

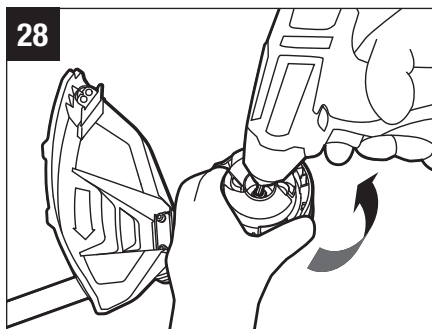
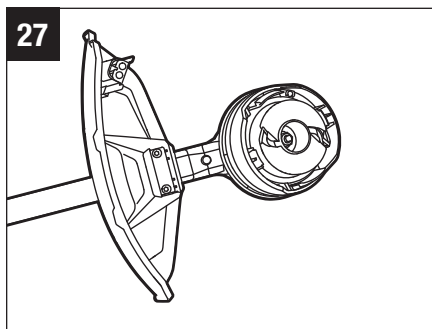
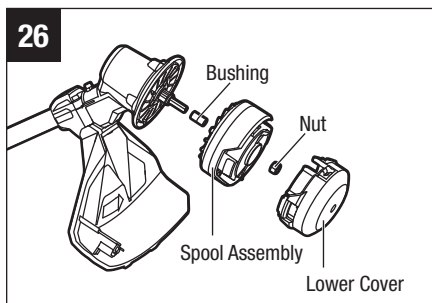
All string trimmer service, other than the items listed in these maintenance instructions, should be performed by competent string trimmer service personnel.

TRIMMER HEAD REPLACEMENT

⚠ WARNING: Replace a cracked, damaged or worn-out cutting head immediately, even if damage is limited to superficial cracks. Such attachments may shatter at high speed and cause serious injury.

REMOVE THE TRIMMER HEAD

1. Remove the battery pack from the trimmer.
2. Press the release tabs on the trimmer head and remove the lower cover of the trimmer head by pulling it straight out (see Fig. 24a & 24b).
3. Remove the cutting line from the trimmer head (Fig. 27).
4. Wear gloves. Use one hand to grasp the spool assembly to stabilize it and use the other hand to hold an impact wrench (not included) to loosen the nut in a counterclockwise direction (Fig. 28).
5. Remove the spool assembly and bushing from the motor shaft (Fig. 26). Save the bushing for later assembly.
6. Replace with a new trimmer head and mount it in following steps.



INSTALL THE NEW TRIMMER HEAD

1. Mount the bushing in motor shaft and mount the spool assembly into place. Use an impact wrench to tighten the nut. (Fig. 26)
2. With one hand holding the trimmer, use another hand to grasp the lower cover assembly and align the slots in the lower cover assembly with the release tabs. Press the lower cover assembly until it snaps into place, at which time you will hear a distinct click sound (Fig. 25).
3. Follow “**LINE REPLACEMENT**” section in this manual to reload the cutting line.

4. Start the tool to see whether the string trimmer will work normally. If it does not, reassemble as described above.

CLEAN THE UNIT

- Remove the battery.
- Clear any grass that may have wrapped itself around the motor shaft or trimmer head.
- Use a small brush or the air discharge of a small vacuum cleaner brush to clean the air vents on the rear housing.
- Keep the air vents free of obstructions.
- Clean the unit using a damp cloth with a mild detergent.
- Do not use any strong detergents on the plastic housing or the handle. They can be damaged by certain aromatic oils, such as pine and lemon, and by solvents such as kerosene. Moisture can also cause a shock hazard. Wipe off any moisture with a soft, dry cloth.

SHARPEN THE LINE-CUTTING BLADE

⚠ WARNING: Always protect your hands by wearing heavy gloves when performing any maintenance on the line-cutting blade.

1. Remove the battery pack from the trimmer.
2. Remove the line-cutting blade from the guard.
3. Secure the blade in a vise.
4. Wear proper eye protection and gloves and be careful not to cut yourself.
5. Carefully file the cutting edges of the blade with a fine-tooth file or sharpening stone, being careful to maintain the original cutting-edge angle.
6. Replace the blade onto the guard and secure it in place with the two screws.

TRANSPORTING AND STORING

- Remove the battery pack from the trimmer.
- Clean the tool thoroughly before storing.

- Store the unit in a dry, well-ventilated area, locked-up or up high, out of the reach of children. Do not store the unit on or adjacent to fertilizers, gasoline, or other chemicals.
- Keep away from corrosive agents such as garden chemicals and deicing salts.

TROUBLESHOOTING

PROBLEM	CAUSE	SOLUTION
String trimmer fails to start.	<ul style="list-style-type: none"> ■ The battery pack is not attached to the trimmer. ■ No electrical contact between the trimmer and battery. ■ The battery pack is depleted. ■ The lock off switch is not being moved forward before depressing the variable speed trigger. ■ The motor shaft or trimmer head is bound with grass. 	<ul style="list-style-type: none"> ■ Attach the battery pack to the trimmer. ■ Remove battery, check contacts and reinstall the battery pack. ■ Charge the battery pack. ■ Move the lock-off switch forward and then press the variable speed trigger. ■ Remove the grass from the motor shaft and trimmer head.
String trimmer stops while cutting.	<ul style="list-style-type: none"> ■ The guard is not mounted on the trimmer, resulting in an overly long cutting line and motor overload. ■ Heavy cutting line is used. ■ The battery pack or string trimmer is too hot. ■ The battery pack is disconnected from the tool. ■ The battery pack is depleted. 	<ul style="list-style-type: none"> ■ Remove the battery pack and mount the guard on the trimmer. ■ Use recommended nylon cutting line with diameter 0.095 in. (2.4 mm). ■ Cool the battery or string trimmer. ■ Re-install the battery pack. ■ Charge the battery pack.

PROBLEM	CAUSE	SOLUTION
Trimmer head will not advance line.	<ul style="list-style-type: none"> ■ The motor shaft or trimmer head is bound with grass. ■ There is not enough line on the spool or the line breaks from the eyelet. ■ The line is tangled. ■ The line is too short. ■ Heavy cutting line is used. ■ Trimmer head malfunction. 	<ul style="list-style-type: none"> ■ Stop the trimmer, remove the battery, and clean the motor shaft and trimmer head. ■ Remove the battery and replace the cutting line follow “LINE REPLACEMENT” section in this manual. ■ Remove the battery; remove the line from the trimmer head and rewind following “RELOAD THE CUTTING LINE” section in this manual. ■ Remove the battery and pull the lines manually while alternately pressing down and releasing the trimmer head. ■ Use recommended nylon cutting line with diameter 0.095 in. (2.4 mm). ■ Call EGO Customer Service for help.
Grass is wrapped around trimmer head and motor housing.	<ul style="list-style-type: none"> ■ Cutting tall grass at ground level 	<ul style="list-style-type: none"> ■ Cut tall grass from the top down, removing no more than 8 inches in each pass to prevent wrapping.
The blade is not cutting the line.	<ul style="list-style-type: none"> ■ The line-cutting blade on the edge of the guard has become dull. 	<ul style="list-style-type: none"> ■ Follow instructions to sharpen the line-cutting blade with a file or replace it with a new blade.
Cracks on the trimmer head	<ul style="list-style-type: none"> ■ The trimmer head is worn out. 	<ul style="list-style-type: none"> ■ Replace the trimmer head immediately; follow the section “TRIMMER HEAD REPLACEMENT” in this manual.

PROBLEM	CAUSE	SOLUTION
<p>The cutting line cannot be wound into the trimmer head properly.</p>	<ul style="list-style-type: none"> ■ Improper cutting line is used. ■ Grass debris or dirt has accumulated in the trimmer head and blocked the movement of line spool. ■ Motor is overheated due to repeatedly operating the line winding system. ■ Low battery capacity ■ The line is not wound into the spool assembly. ■ Trimmer head malfunction. 	<ul style="list-style-type: none"> ■ We suggest that you use EGO original nylon cutting line see “Recommended Cutting Line” section in this manual. If using EGO nylon line and the problem persists, please call EGO customer service for advice. ■ Remove the battery, open the trimmer head and clean it thoroughly. ■ Let the string trimmer work under no load for a few minutes to cool the motor, then try to reload the line. ■ Charge the battery. ■ Pull out the line and reinsert it. ■ Call EGO Customer Service for help.
<p>The cutting line cannot be passed through the trimmer head when inserting the line.</p>	<ul style="list-style-type: none"> ■ The cutting line is split or bent at the end. 	<ul style="list-style-type: none"> ■ Cut the worn end of line and reinsert.

WARRANTY

EGO WARRANTY POLICY

5-year limited warranty on EGO POWER+ outdoor power equipment and portable power for personal, household use.

3-year limited warranty on EGO POWER+ System battery packs and chargers for personal, household use. An additional 2-year extended warranty applies for the 10.0Ah battery whether sold separately (Model# BA5600T) or included with any tool, if it is registered within 90 days of purchase. 5-year limited warranty on CHV1600 charger, designed for use with Zero Turn Riding Mower for personal, household use.

2 year/1year limited warranty on EGO outdoor power equipment, portable power, battery packs, and chargers for professional and commercial use.

The detailed warranty periods by products can be found online at

<http://egopowerplus.com/warranty-policy>.

Please contact EGO Customer Service Toll-Free at 1-855-EGO-5656 any time you have questions or warranty claims.

LIMITED SERVICE WARRANTY

EGO products are warranted against defects in material or workmanship from the date of original retail purchase for the applicable warranty period. Defective product will receive free repair.

- a) This warranty applies only to the original purchaser from an authorized EGO retailer and may not be transferred. Authorized EGO retailers are identified online at <http://egopowerplus.com/warranty-policy>.
- b) The warranty period for reconditioned or factory certified products used for residential purpose is 1 year, for industrial, professional or commercial purpose is 90 days.
- c) The warranty period for routine maintenance parts, such as, but not limited to, ride-on mower seat, wheels, tires, anti-scalp wheels, brake disc, friction block, blades, trimmer heads, chain bars, saw chains, belts, scraper bars, rubber paddles, augers, skid shoes, blower nozzles, and all other EGO accessories is 90 days for residential purpose, 30 days for industrial, professional or commercial purpose. These parts are covered for 90/30 days from manufacture defects in normal working conditions.



- d) This warranty is void if the product has been used for rental purpose.
- e) This warranty does not cover the damage resulting from modification, alteration or unauthorized repair.
- f) This warranty only covers defects arising under normal usage and does not cover any malfunction, failure or defect resulting from misuse, abuse (including overloading of the product beyond capacity and immersion in water or other liquid), accidents, neglect or lack of proper installation, and improper maintenance or storage.
- g) This warranty does not cover normal deterioration of the exterior finish, including but not limited to scratches, dents, paint chips, or to any corrosion or discoloring by heat, abrasive and chemical cleaners.

HOW TO OBTAIN SERVICE

For warranty service, please contact EGO customer service toll-free at **1-855-EGO-5656**. When requesting warranty service, you must present the original dated sales receipt. An authorized service center will be selected to repair the product according to the stated warranty terms. When bringing your product to the authorized service center, there may be a small deposit that will be required when dropping off your tool. This deposit is refundable when the repair service is deemed to be covered under warranty.

ADDITIONAL LIMITATIONS

To the extent permitted by applicable law, all implied warranties, including warranties of MERCHANTABILITY or FITNESS FOR A PARTICULAR PURPOSE, are disclaimed. Any implied warranties, including warranties of merchantability or fitness for a particular purpose, that cannot be disclaimed under state law are limited to the applicable warranty period defined at the beginning of this article.

Chervon North America is not responsible for direct, indirect, incidental or consequential damages.

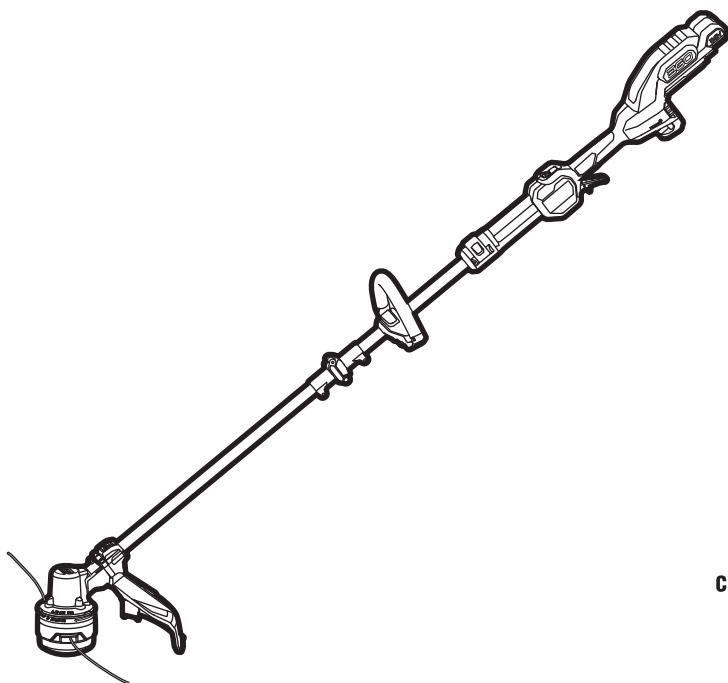
Some states do not allow limitations on how long an implied warranty lasts and/or do not allow the exclusion or limitation of incidental or consequential damages, so the above limitations may not apply to you.

This warranty gives you specific legal rights, and you may also have other rights which vary from state to state.

For customer service contact us toll-free at: **1-855-EGO-5656 or EGOPOWERPLUS.COM**. EGO Customer Service, 769 SEWARD AVE NW / Suite 102 Grand Rapids, MI 49504

EGO™

POWER⁺ STRING TRIMMER



GUIDE D'UTILISATION

TAILLE-BORDURE SANS FIL À PILES AU LITHIUM-ION DE 56 VOLTS

NUMÉRO DE MODÈLE
ST1620T/ST1620T-FC

⚠ AVERTISSEMENT : Afin de réduire les risques de blessure, l'utilisateur doit lire et comprendre le guide d'utilisation avant d'utiliser ce produit. Conservez le présent guide afin de pouvoir le consulter ultérieurement.

TABLE DES MATIÈRES

Symboles de sécurité	37
Consignes de sécurité	38-44
Introduction	44
Caractéristiques techniques	45
Liste des pièces contenues dans l'emballage	46
Description	47-49
Assemblage	50-54
Fonctionnement	55-62
Entretien	63-66
Dépannage	67-70
Garantie	71-72

LISEZ TOUTES LES INSTRUCTIONS !



LISEZ LE MODE D'EMPLOI ET
ASSUREZ-VOUS QUE VOUS LE COMPRENEZ

SYMBOLES DE SÉCURITÉ

L'objectif des symboles de sécurité est d'attirer votre attention sur les dangers potentiels. Vous devez examiner attentivement et bien comprendre les symboles de sécurité et les explications qui les accompagnent. Les symboles d'avertissement en tant que tels n'éliminent pas le danger. Les consignes et les avertissements qui y sont associés ne remplacent en aucun cas les mesures préventives adéquates.

⚠ AVERTISSEMENT : Avant d'utiliser cet outil, assurez-vous de lire et de comprendre toutes les consignes de sécurité présentées dans le présent guide d'utilisation, notamment toutes les consignes de sécurité indiquées par <DANGER>, <AVERTISSEMENT> et <MISE EN GARDE>. Le non-respect des consignes de sécurité ci-dessous peut occasionner une décharge électrique, un incendie ou des blessures graves.

SIGNIFICATION DES SYMBOLES

⚠ SYMBOLE D'ALERTE DE SÉCURITÉ : Indique un DANGER, un AVERTISSEMENT ou une MISE EN GARDE. Il peut être associé à d'autres symboles ou pictogrammes.



AVERTISSEMENT ! L'utilisation de tout outil électrique peut entraîner la projection de corps étrangers dans les yeux et ainsi causer des lésions oculaires graves. Avant d'utiliser un outil électrique, veillez à toujours porter des lunettes de sécurité couvrantes ou à écrans latéraux, ou un masque complet au besoin. Nous recommandons le port d'un masque de sécurité panoramique par-dessus les lunettes ou de lunettes de sécurité standard avec écrans latéraux. Portez toujours des lunettes de sécurité conformes à la norme ANSI Z87.1.

CONSIGNES DE SÉCURITÉ

Vous trouverez ci-dessous les symboles de sécurité qui peuvent être présents sur le produit, accompagnés de leur description. Vous devez lire, comprendre et suivre toutes les instructions présentes sur l'appareil avant de commencer à l'assembler ou à le manipuler.

	Alerte de sécurité	Indique un risque de blessure.
	Assurez-vous de lire et de comprendre le guide d'utilisation	Afin de réduire les risques de blessure, l'utilisateur doit lire et comprendre le guide d'utilisation avant d'utiliser ce produit.
	Lunettes de sécurité	Portez toujours des lunettes de sécurité ou des lunettes protectrices pourvues d'écrans latéraux conformes à la norme ANSI Z87.1 lorsque vous utilisez cet article.
	Symboles de recyclage	Le produit fonctionne à l'aide de piles au lithium-ion (Li-ion). La législation locale, provinciale ou fédérale peut interdire la mise au rebut des piles dans les ordures ménagères. Consultez l'organisme local de gestion des déchets au sujet des options de mise au rebut ou de recyclage.
IPX4	Indice de protection	Protection contre les éclaboussures d'eau
V	Volt	Tension
	Courant continu	Type de courant ou caractéristique de courant
n_0	Vitesse sans charge	Vitesse de rotation à vide
RPM	Tours par minute	Vitesse de rotation
cm	Centimètre	Longueur ou taille
mm	Millimètre	Longueur ou taille
in.	Pouce	Longueur ou taille
kg	Kilogramme	Poids
lb	Livre	Poids

ADVERTENCIAS DE SEGURIDAD GENERAL EN EL MANEJO DE HERRAMIENTAS ELÉCTRICAS QUE FUNCIONAN CON BATERÍAS

⚠ AVERTISSEMENT! Lisez tous les avertissements, instructions, illustrations et spécifications fournis avec cet outil électrique. Le non-respect des consignes de sécurité ci-dessous peut occasionner un choc électrique, un incendie ou des blessures graves.

Conservez tous les avertissements et toutes les instructions afin de pouvoir les consulter ultérieurement.

SÉCURITÉ DE L'AIRE DE TRAVAIL

- **Maintenez l'aire de travail propre et bien éclairée.** Les aires de travail sombres et encombrées sont propices aux accidents.
- **N'utilisez pas d'outils électriques dans un milieu explosif, par exemple où il y a présence de liquides, de vapeurs ou de poussières inflammables.** Les outils électriques produisent des étincelles susceptibles d'enflammer ces poussières ou ces vapeurs.
- **Gardez les enfants et les autres personnes à l'écart lorsque vous utilisez un outil électrique.** Une distraction peut vous faire perdre la maîtrise de l'outil.
- **Évitez les environnements dangereux.** N'utilisez pas l'outil dans un endroit mouillé ou humide.

SÉCURITÉ PERSONNELLE

- **Soyez vigilant, prêtez attention à ce que vous faites et usez de votre jugement lorsque vous utilisez un outil électrique. N'utilisez pas un outil électrique lorsque vous êtes fatigué ou sous l'effet de drogues, d'alcool ou de médicaments.** Un moment d'inattention pendant que vous utilisez des outils électriques peut occasionner des blessures graves.
- **Utilisez toujours un équipement de protection individuelle.** Le port d'équipement de protection individuelle, comme des lunettes de sécurité, un masque antipoussières, des chaussures de sécurité antidérapantes, un casque de protection ou des protecteurs auditifs, lorsque les conditions l'exigent, réduit les risques de blessures.

- **Prenez des mesures afin d'éviter que l'outil se mette en marche accidentelle-ment. Assurez-vous que l'interrupteur est sur la position d'arrêt avant de brancher l'outil sur un bloc-piles, de le ramasser ou de le transporter.** Transporter les outils électriques avec le doigt sur l'interrupteur ou brancher les outils lorsque l'interrupteur est en position de marche augmente les risques d'accident.
- **Retirez toutes les clés de réglage de l'outil électrique avant de le mettre en marche.** Une clé de réglage oubliée sur une pièce mobile de l'outil électrique peut entraîner des blessures.
- **Ne vous étirez pas pour étendre votre portée. Gardez une posture sécuritaire et un bon équilibre en tout temps.** Cela permet de mieux contrôler l'outil électrique dans des situations inattendues.
- **Mises en garde concernant l'utilisation de vêtements et de chaussures appropriés pendant le fonctionnement afin de réduire le risque de blessures pouvant être causées par des projections de débris.**
- **Si un dispositif permet de raccorder un dépoussiéreur, assurez-vous que celui-ci est branché et utilisé de manière ap-propriée.** L'emploi d'un dépoussiéreur contribue à réduire les dangers liés à la poussière.
- **Même si vous connaissez parfaitement ces outils parce que vous les utilisez souvent, soyez vigilant et respectez les principes de sécurité.** Il suffit d'être né-gligent une fraction de seconde pour se blesser gravement.

UTILISATION ET ENTRETIEN DE L'OUTIL ÉLECTRIQUE

- **Ne forcez pas l'outil électrique. Utilisez l'outil électrique approprié à la tâche que vous souhaitez accomplir.** L'utilisation de l'outil électrique approprié permet d'obtenir de meilleurs résultats, de façon plus sécuritaire, selon le régime de fonctionnement prévu.
- **N'utilisez pas l'outil électrique si l'interrupteur ne fonctionne pas.** Tout outil électrique qui ne peut être commandé au moyen de l'interrupteur est dangereux et doit être réparé.
- **Utilisez l'équipement approprié** – N'utilisez pas un équipement conçu pour une tâche autre que celle pour laquelle il a été prévu.
- **Retirez, si possible, le bloc-piles de l'outil électrique ou actionnez tout dispositif de désactivation du bloc-piles avant de dé-gager un objet coincé, d'effectuer des réglages, de changer d'accessoires ou de nettoyer ou de ranger les outils élec-triques.** Ces mesures de sécurité préven-tives réduisent les risques de mise en marche accidentelle de l'outil électrique.

- **Rangez l'outil électrique à l'arrêt hors de la portée des enfants et n'autorisez pas une personne ne sachant pas s'en servir ou n'ayant pas lu ces instructions à l'utiliser.** Les outils électriques sont dangereux s'ils se retrouvent entre les mains d'utilisateurs qui ne savent pas s'en servir.
- **Entretenez les outils électriques et les accessoires. Vérifiez les pièces mobiles pour vous assurer qu'elles ne sont pas désalignées, enrayées, brisées, ou dans un état qui pourrait nuire à leur fonctionnement. Si l'outil électrique est endommagé, faites-le réparer avant de l'utiliser.** De nombreux accidents sont provoqués par des outils électriques et des accessoires mal entretenus.
- **Gardez vos outils tranchants affûtés et propres.** Des outils tranchants bien entretenus et dont les lames sont affûtées risquent moins de se bloquer et sont plus faciles à maîtriser.
- **Utilisez l'outil électrique, les accessoires, les embouts ou autres conformément aux instructions, en tenant compte des conditions de travail et du travail à effectuer.** L'utilisation de l'outil électrique à des fins autres que celles auxquelles il est destiné pourrait entraîner une situation dangereuse.
- **Les poignées et autres surfaces de préhension doivent toujours être sèches, propres et exemptes d'huile ou de graisse.** Les poignées et autres surfaces de préhension glissantes peuvent entraîner une manipulation non sécuritaire ou une perte de contrôle de l'outil.
- **Éloignez les câbles de la zone de travail de l'outil.** Durant l'utilisation, des câbles pourraient être dissimulés et être accidentellement endommagés par l'outil.

UTILISATION ET ENTRETIEN DU BLOC-PILE

- **Rechargez uniquement le bloc-piles à l'aide du chargeur approuvé par le fabricant.** Un chargeur conçu pour un type de bloc-piles peut causer un incendie s'il est utilisé avec un autre bloc-piles. Utilisez l'article uniquement avec les blocs-piles et les chargeurs indiqués ci-dessous.

BLOC-PILES	CHARGEUR
BA1400, BA1400-FC, BA2800, BA2800-FC, BA4200, BA4200-FC, BA1400T, BA1400T-FC, BA2240T, BA2240T-FC, BA2242T, BA2242T-FC, BA2800T, BA2800T-FC, BA4200T, BA4200T-FC	CH2100, CH2100-FC, CH3200, CH3200-FC, CH5500, CH5500-FC, CH2800D, CH2800D-FC, CH7000, CH7000-FC

- **Utilisez les outils électriques uniquement avec les blocs-piles désignés.** L'utilisation de tout autre bloc-piles peut constituer un risque de blessure et d'incendie.
- **Lorsque vous n'utilisez pas le bloc-piles, conservez-le à l'écart d'autres objets métalliques, comme des trombones, des pièces de monnaie, des clés, des clous, des vis et d'autres petits objets métal-liqués qui peuvent connecter une borne à une autre.** Un court-circuit entre les bornes du bloc-piles peut occasionner des brûlures ou un incendie.
- **Dans de mauvaises conditions, un li-quide peut être éjecté du bloc-piles; évi-tez tout contact avec celui-ci. En cas de contact accidentel, rincez à grande eau. Si vos yeux entrent en contact avec ce liquide, consultez un médecin.** Le liquide provenant des piles peut causer de l'irritation ou des brûlures.
- **N'utilisez pas un bloc-piles ou un outil endommagé ou modifié.** Les blocs-piles modifiés ou endommagés peuvent fonc-tionner de façon imprévisible et présenter un risque d'incendie, d'explosion ou de blessures.
- **N'exposez pas un bloc-piles ou un outil à un feu ou à une température excessive.** L'exposition au feu ou à une température supérieure à 100 °C (212 °F) peut provo-quer une explosion.
- Ne modifiez pas et ne tentez pas de réparer l'outil ou le bloc-piles (suivant le cas), sauf conformément à ce qui est indiqué dans les instructions d'entretien et le mode d'emploi.
- **Suivez toutes les instructions pour le chargement et ne chargez pas le bloc-piles ou l'outil en dehors de la plage de température précisée dans les ins-tructions.** Une recharge inadéquate ou ef-fectuée à des températures en dehors de la plage précisée peut endommager le bloc-piles et augmenter le risque d'incendie.

ENTRETIEN

- **Demandez à un technicien qualifié qui utilise seulement des pièces de rechange identiques aux pièces d'origine d'effectuer l'entretien de votre outil élec-trique.** Vous vous assurerez ainsi que l'outil électrique demeure sécuritaire.
- **Ne réparez jamais un bloc-piles en-dommagé.** Seuls le fabricant et les fournisseurs de services autorisés peuvent effectuer la réparation d'un bloc-piles.

CONSIGNES DE SÉCURITÉ POUR LE TAILLE-BORDURE

- **Lorsque vous remplacez le fil de coupe, utilisez un fil en nylon EGO de 2,4 mm / 0,095 po ;** l'utilisation de fils plus lourds que ceux qui sont recommandés par le fabricant accroît la charge sur le moteur et réduit sa vitesse de fonctionnement. Ceci causera une surchauffe et endommagera le coupe-herbe.
- **Afin de réduire les risques de blessure grave, n'utilisez jamais de fil métallique, de fil renforcé de métal ni d'autre matériau à la place du fil de coupe en nylon.** Des morceaux de métal pourraient être projetés à grande vitesse vers vous ou vers les personnes à proximité.
- **Remplacez immédiatement la tête de coupe si elle est fissurée, endommagée ou usée, même si elle ne présente que des fissures superficielles.** Ces pièces peuvent se briser à haute vitesse et causer des blessures graves, voire mortelles.

CONSIGNES DE SÉCURITÉ IM-PORTANTES

- **Si l'outil électrique venait à vibrer de manière anormale ou s'il devenait bruyant, arrêtez le moteur et trouvez immédiatement la cause des vibrations.** Les sons anormaux indiquent généralement un problème.
- **Assurez-vous que tous les protecteurs et autres dispositifs de sécurité sont fixés correctement et de façon sécuritaire avant d'utiliser cet article. N'utilisez pas l'appareil si des protecteurs ne sont pas en place.**
- **Ne rechargez pas le bloc-piles sous la pluie ni dans un endroit mouillé.**
- **Ne jetez pas le bloc-piles au feu.** Les cellules pourraient exploser. Consultez la réglementation locale pour connaître les instructions de mise au rebut.
- **N'ouvrez pas et n'abîmez pas le bloc-piles.** L'électrolyte qu'il contient est corrosif et peut causer des lésions oculaires ou cutanées. Il peut être toxique s'il est ingéré.

- **Les outils munis d'un bloc-piles n'ont pas besoin d'être branchés sur une prise de courant. Par conséquent, ils sont toujours prêts à l'emploi.** Gardez à l'esprit qu'il existe des dangers potentiels même lorsque l'outil ne fonctionne pas. Soyez prudents lorsque vous effectuez l'entretien ou des réparations.
- **Ne lavez pas avec un tuyau flexible ; évitez de faire pénétrer de l'eau dans le moteur et les connexions électriques.**
- **S'il se produit une situation qui ne figure pas dans le présent manuel, faites preuve de prudence et de jugement. Communiquez avec le centre de service à la clientèle d'EGO pour obtenir de l'aide.**
- **CONSERVEZ CES INSTRUCTIONS.** Consultez-les régulièrement et utilisez-les pour expliquer le fonctionnement de l'outil à d'autres personnes qui l'utiliseraient. Si vous prêtez cet outil à une personne, prêtez-lui également ces instructions afin de prévenir un usage inapproprié et des blessures potentielles.

CONSERVEZ CES INSTRUCTIONS.

INTRODUCTION

Nous vous félicitons d'avoir choisi un nouveau taille-bordure EGO POWER+ au lithium-ion de 56 V. Cet outil a été conçu et fabriqué afin de vous offrir la meilleure fiabilité et le meilleur rendement possible.


Si vous éprouvez un problème que vous n'arrivez pas à régler facilement, veuillez communiquer avec le centre de service à la clientèle d'EGO au 1-855-EGO-5656.

Le présent guide contient des renseignements importants pour assembler, utiliser et entretenir en toute sécurité votre produit. Lisez-le soigneusement avant d'utiliser le produit. Conservez ce guide à portée de main afin de pouvoir le consulter à tout moment.

NUMÉRO DE SÉRIE _____ DATE D'ACHAT _____

NOUS VOUS RECOMMANDONS DE NOTER LE NUMÉRO DE SÉRIE ET LA DATE D'ACHAT ET DE LES CONSERVER EN LIEU SÛR AFIN DE POUVOIR LES CONSULTER ULTÉRIEUREMENT.

SPECIFICATIONS

Tension	56 V 
Vitesse à vide	Plage de vitesses basses : 3 500-4 800 tr/min
	Plage de vitesses élevées : 4 000-5 500 tr/min
Mécanisme de fonctionnement du fil de coupe	Alimentation LINE-IQ
Type de fil de coupe	Fil de nylon torsadé de 2,41 mm (0.095 po).
Largeur de coupe	40 cm / 16 po
Température de fonctionnement	0 °C à 40 °C (32 °F à 104 °F)
Température de rangement	-20 °C à 70 °C (-4 °F à 158 °F)
Poids net (y compris le dispositif de protection)	7.67 lbs. (3.48 kg)

ACCESSOIRES RECOMMANDÉS

NOM DE PIÈCE	NUMÉRO DE MODÈLE
Fil de coupe	AL2420P/AL2450S/AL2420PD
Bretelle pour port en bandoulière	AP1500

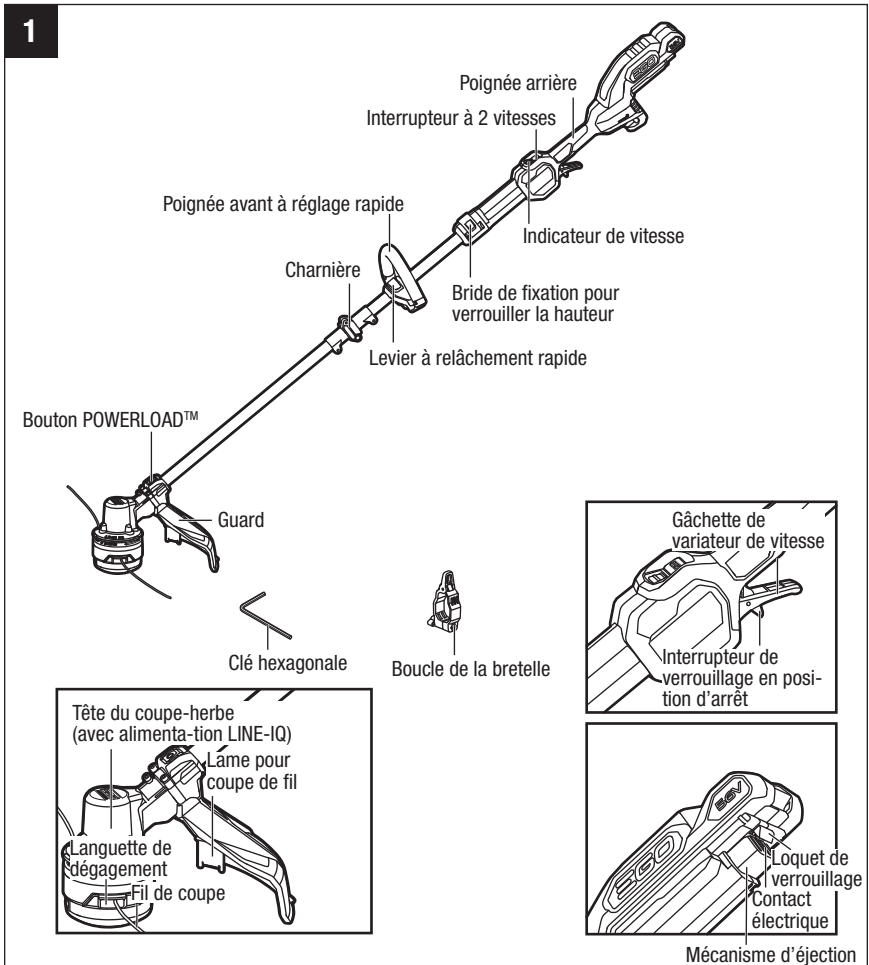
LISTE DES PIÈCES CONTENUES DANS L'EMBALLAGE

NOM DE PIÈCE	QUANTITÉ
Taille-bordure	1
Boulon pour l'arbre de verrouillage	1
Dispositif de protection (avec deux vis pré-assemblées sur le dispositif de protection)	1
Ensemble de poignée avant à réglage rapide	1
Clé hexagonale	1
Fil de coupe bicolore (AL2420PD)	1
Boucle de bretelle pour port en bandoulière	1
Guide d'utilisation	1

DESCRIPCIÓN

FAMILIARISEZ-VOUS AVEC LE TAILLE-BORDURE (Figure 1)

Pour utiliser ce produit en toute sécurité, vous devez comprendre les renseignements figurant sur le produit et dans le présent guide d'utilisation et connaître le projet que vous entreprenez. Avant d'utiliser ce produit, familiarisez-vous avec toutes les caractéristiques de fonctionnement et consignes de sécurité.



⚠ AVERTISSEMENT : N'utilisez jamais l'outil si le protecteur n'est pas fixé fermement. Le protecteur doit toujours être installé sur l'outil pour protéger l'utilisateur.

POIGNÉE AVANT À RÉGLAGE RAPIDE

Pour contrôler facilement le coupe-herbe pendant les opérations de coupe.

POIGNÉE ARRIÈRE

La poignée ergonomique avec surmoulage améliore le confort et la préhension.

VARIATEUR DE VITESSE

Met le taille-bordure sous tension et hors tension.

INTERRUPTEUR DE VERROUIL-LAGE EN POSITION D'ARRÊT

Aide à prévenir une activation accidentelle de la gâchette. Elle doit être enfoncée avant que l'interrupteur à gâchette puisse être ac-tivé.

BOUCLE DE BRETELLE POUR PORT EN BANDOULIÈRE

Pour attacher la bretelle de port en bandoulière.

INTERRUPTEUR À DEUX VITESSES

Fournit des plages de vitesses de coupe élevées et basses pour diffé-rentes tâches, suivant les besoins.

INDICATEUR DE VITESSE

Affiche la vitesse de coupe actuelle.

DISPOSITIF DE PROTECTION

Réduit le risque de blessures causées par des objets étrangers projetés en direction de l'opérateur et par un contact avec l'attachement de coupe.

LAME POUR COUPE DE FIL

Lame en acier intégrée au dispositif de pro-tection qui maintient le fil de coupe à la longueur appropriée.

BRIDE DE FIXATION POUR VER-ROUILLER LA HAUTEUR

La poignée peut être réglée facilement en fonction de la taille de la personne afin d'aider à assurer une hauteur de travail confortable idéale.

TÊTE DU COUPE-HERBE (avec ALIMENTATION LINE-IQ)

Range le fil de coupe ; libère le fil de coupe automatiquement lorsqu'une extrémité du fil de coupe est usée et devient trop courte.

BOUTON POWERLOAD™

Appuyez sur ce bouton pour enrouler automatiquement le fil de coupe dans le tête du coupe-herbe.

CHARNIÈRE

Connecte et verrouille les deux arbres re-pliables.

BOUTON D'ÉJECTION DES PILES

Détache le bloc-piles de l'outil.

LOQUET DE VERROUILLAGE

Assujettit le bloc-piles à l'outil.

MÉCANISME D'ÉJECTION

Aide à retirer les piles.

ASSEMBLAGE

⚠ AVERTISSEMENT : S'il y a des pièces manquantes ou endommagées, ne tentez pas d'utiliser cet article tant que ces pièces n'auront pas été remplacées. Le fait d'utiliser cet article avec des pièces endommagées ou manquantes pourrait entraîner des blessures graves.

⚠ AVERTISSEMENT : Ne tentez pas de modifier cet article ou de créer des accessoires qui ne sont pas recommandés pour cet article. Toute modification est considérée comme un usage inapproprié et peut créer une situation dangereuse susceptible d'entraîner des blessures graves.

⚠ AVERTISSEMENT : Portez toujours des gants épais lorsque vous installez ou retirez une lame ou lorsque vous en effectuez l'entretien. Faites attention à la lame et protégez vos mains pour éviter de vous couper avec celle-ci.

⚠ AVERTISSEMENT : Pour empêcher une mise en marche accidentelle pouvant causer des blessures graves, enlevez toujours le connecteur de l'outil lorsque vous assemblez des pièces, procédez à des ajustements ou à son nettoyage ou lorsque l'outil n'est pas utilisé.

DÉBALLAGE

- Cet article doit être assemblé.
- Retirez soigneusement l'outil et toutes les pièces de l'emballage. Assurez-vous que toutes les pièces mentionnées sur la liste de l'emballage sont présentes.
- Inspectez soigneusement l'outil pour vérifier qu'il n'a pas été endommagé pendant l'expédition.
- Ne jetez pas le matériel d'emballage avant d'avoir inspecté soigneusement la scie à chaîne et de l'avoir fait fonctionner de manière satisfaisante.
- Si une pièce quelconque est endommagée ou manquante, rappelez le produit dans le magasin où vous l'avez acheté.

COMMENT DÉPLIER L'ARBRE

⚠ AVERTISSEMENT : Ne tenez pas l'arbre au niveau du joint pour ne pas risquer de vous pincer les mains ou les doigts.

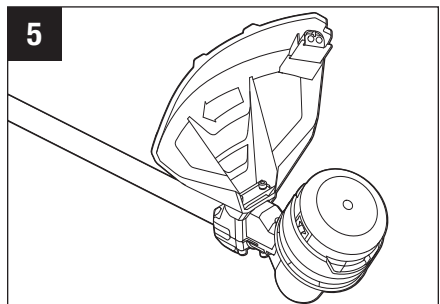
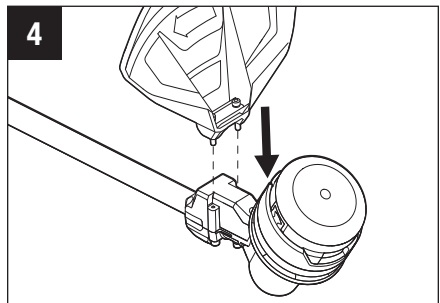
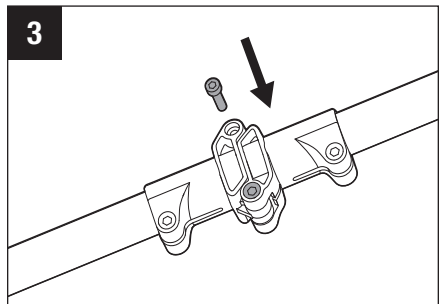
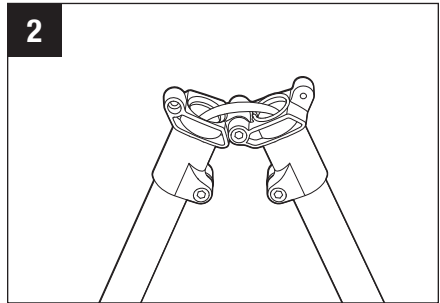
⚠ AVERTISSEMENT : Ne tentez pas de faire démarrer le taille-bordure avant que l'arbre ne soit verrouillé.

1. Détachez le bloc-piles du taille-bordure.
2. Placez votre taille-bordure sur le sol et assurez-vous que le câble est à l'intérieur de l'arbre de telle sorte qu'il ne soit pas pincé lorsque vous fermez la charnière. Dépliez l'arbre en prenant beaucoup de précautions jusqu'à ce que les deux trous dans la charnière soient alignés de façon précise (Fig. 2).
3. Insérez le boulon (fourni) et serrez-le en utilisant la clé hexagonale fournie pour verrouiller l'arbre en place (Fig. 3).

MONTAGE DE LA PROTECCIÓN

⚠ AVERTISSEMENT : Portez toujours des gants lorsque vous installez le protecteur ou le remplacez. Faites attention à la lame du protecteur et protégez vos mains pour éviter de vous couper avec la lame.

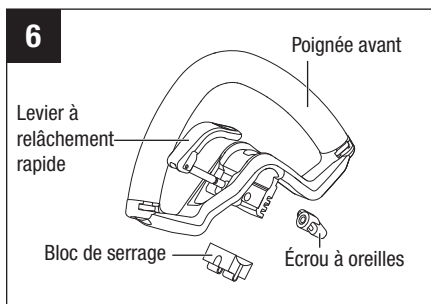
1. Détachez le bloc-piles du taille-bordure.
2. Posez le taille-bordure sur le sol de telle façon que la tête du taille-bordure soit orientée vers le haut.



3. Alignez les deux vis, qui sont pré-assemblées sur le dispositif de protection, sur les deux trous de vis de l'arbre (Fig. 4), puis serrez-les avec le tournevis (Fig. 5).

MONTAGE ET RÉGLAGE DE LA POIGNÉE AVANT

1. Desserrez et retirez le levier du poteau de verrouillage et l'écrou à oreilles de la poignée à boucle (Fig. 6).
2. Poussez la poignée à boucle sur l'arbre entre la bague de verrouillage de la hauteur et la charnière (Fig. 7).

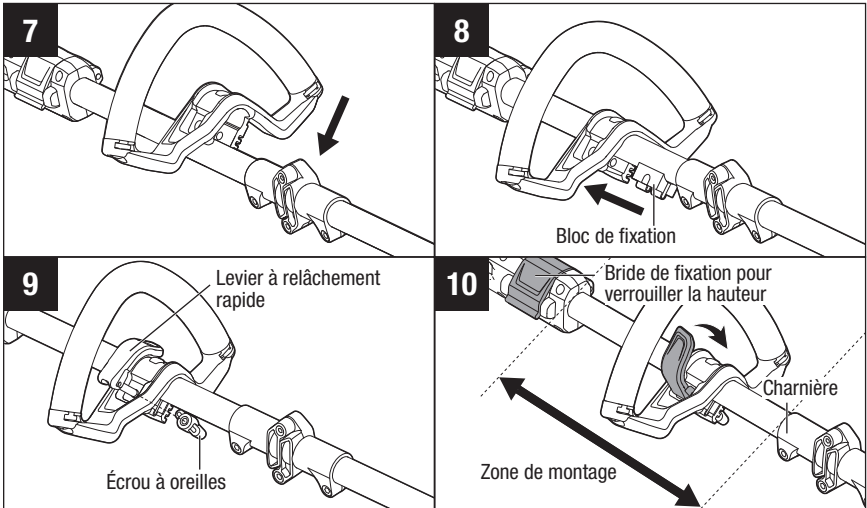


3. Insérez le bloc de fixation dans la fente de la poignée (Fig. 8).
4. Montez le levier du poteau de verrouillage et effectuez un serrage initial de l'écrou à oreilles. Assurez-vous que la poignée à boucle est positionnée vers le haut et est orientée vers le haut de la poignée arrière (Fig. 9).
5. Tirez le levier à relâchement rapide vers le haut pour déplacer/faire tourner la poignée avant jusqu'à une position de fonctionnement confortable (Fig. 10).

AVIS : La poignée avant doit être positionnée sur l'arbre uniquement à l'intérieur de la zone de montage (Fig. 10).

6. Engagez le levier à relâchement rapide afin de sécuriser la poignée avant en position.

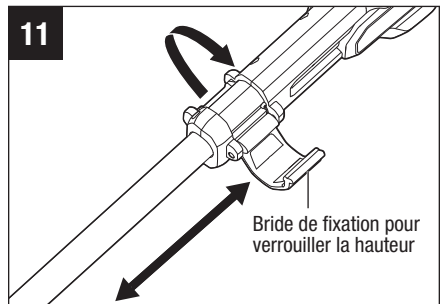
⚠ AVERTISSEMENT : L'outil ne peut pas être utilisé si la poignée à boucle n'est pas sécurisée solidement en place.



RÉGLAGE DE LA HAUTEUR DU TAILLE-BORDURE

Si la longueur de l'arbre n'est pas appropriée pour l'utilisation du taille-bordure, vous pouvez régler la hauteur de l'arbre au moyen de la bride de fixation pour verrouiller la hauteur.

1. Détachez le bloc-piles du taille-bordure.
2. Pour régler la hauteur du taille-bordure, ouvrez la bride de fixation pour verrouiller la hauteur, puis faites glisser l'arbre vers le haut ou vers le bas jusqu'à la longueur désirée, et sécurisez-le en place en comprimant la bride de fixation pour verrouiller la hauteur. (Fig.11.)

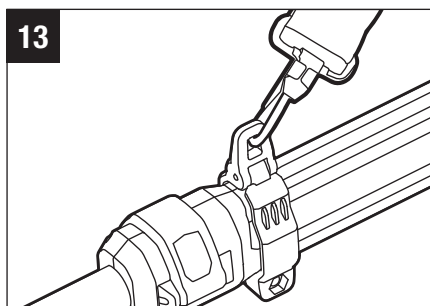
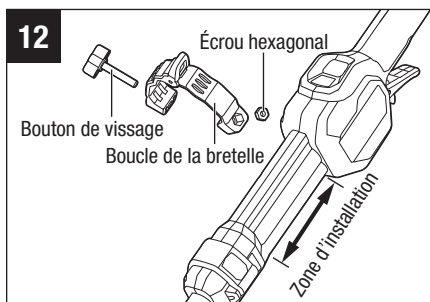


AVIS : La poignée à boucle devra peut-être être réajustée après avoir changé la hauteur du taille-bordure.

ATTACHEMENT DE LA BRETELLE POUR PORT EN BANDOULIÈRE (VENDUE SÉPARÉMENT. MODÈLE N° AP1500)

Pour un fonctionnement plus sûr et plus efficace, placez la sangle sur l'une de vos épaules et sur votre dos.

1. Desserrez le bouton de vissage et l'écrou hexagonal de la boucle de la bretelle pour port en bandoulière.
2. Attachez la boucle de la bretelle pour port en bandoulière sur l'arbre dans la zone d'installation (Fig. 12).
3. Serrez le bouton de vissage et l'écrou hexagonal.
4. Appuyez sur le mousqueton de la bandoulière pour l'ouvrir et attachez la bandoulière à la boucle de la bandoulière (Fig.13).
5. Ajustez la longueur de la bretelle pour port en bandoulière et placez-la dans une position d'utilisation confortable – tenez le coupe-herbe des deux mains, une main sur la poignée arrière et l'autre main sur la poignée avant (Fig. 14).



AVERTISSEMENT : En cas d'urgence, retirez la bretelle de votre épaule immédiatement, quel que soit le sens d'engagement de la bretelle.

FONCTIONNEMENT

⚠ AVERTISSEMENT : Même si vous connaissez parfaitement ce produit, soyez vigilant. N'oubliez pas qu'une fraction de seconde d'inattention suffit à se blesser grièvement.

⚠ AVERTISSEMENT : Portez toujours des lunettes de sécurité conformes à la norme ANSI Z87.1. Sinon, vous pourriez recevoir des débris dans les yeux et vous blesser grièvement.

⚠ AVERTISSEMENT : N'utilisez pas de pièces ni d'accessoires qui ne sont pas recommandés par le fabricant de ce produit. L'utilisation de pièces ou d'accessoires non recommandés peut causer des blessures graves.

⚠ AVERTISSEMENT : Pour prévenir les blessures graves, retirez le connecteur de l'outil avant d'en effectuer l'entretien, de le nettoyer, de remplacer des accessoires ou d'en retirer du matériel.

UTILISATIONS

Vous pouvez utiliser ce produit pour les types de travaux listés ci-dessous.

- Tailler l'herbe et la mauvaise herbe en bordure des vérandas, clôtures et terrasses;
- Couper l'herbe difficile à atteindre avec une tondeuse normale.

INSTALLATION / RETRAIT DU BLOC-PILES

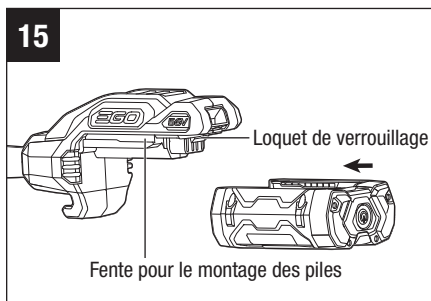
⚠ AVERTISSEMENT : Retirez toujours le bloc-piles du produit lorsque vous assemblez des pièces, effectuez des réglages, faites un nettoyage ou n'utilisez pas l'outil. Le retrait du bloc-piles empêchera une mise en marche accidentelle qui risquerait de causer des blessures graves.

REMARQUE : Chargez le bloc-piles au maximum avant sa première utilisation.

Installation du bloc-piles (Fig. 15)

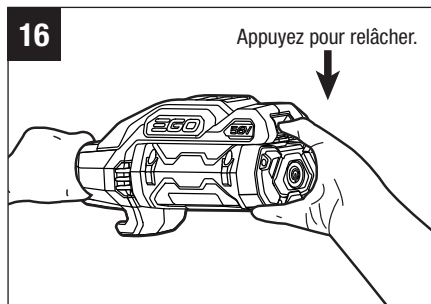
1. Alignez les nervures de la batterie avec les fentes de montage de la batterie dans le taille-bordures.
2. Faites glisser la batterie jusqu'à ce qu'elle s'enclenche.

REMARQUE : Assurez-vous que le loquet de verrouillage sur le taille-bordure est bien en place et que le bloc-piles est bien assujéti à l'outil avant de commencer à l'utiliser.



Retrait du bloc-piles (Fig. 16)

⚠ AVERTISSEMENT : Contrôlez toujours la position de vos pieds et les endroits où se trouvent les enfants et les animaux domestiques avant d'appuyer sur le bouton d'éjection des piles. Ne retirez JAMAIS le bloc-piles lorsque vous vous trouvez à un endroit surélevé. La chute du bloc-piles pourrait causer des blessures graves.



1. Tenez le bloc-piles dans la paume de votre main.
2. Appuyez sur le bouton d'éjection des piles avec votre pouce ; le bloc-piles se détachera alors du loquet de verrouillage.
3. Saisissez le bloc-piles et retirez-le du taille-bordure.

Assurez-vous qu'il n'y a pas de pièces endommagées ou excessivement usées avant chaque utilisation.

Inspectez la tête du taille-bordure, son dispositif de protection et la poignée à boucle, et remplacez toutes les pièces qui sont fis-surées, tordues, recourbées ou endommagées de quelque façon que ce soit.

La lame pour couper le fil sur le bord du dispositif de protection peut s'émousser avec le temps. Il est recommandé que vous affûtiez périodiquement la lame avec une lime ou que vous la remplaciez avec une nouvelle lame.

⚠ AVERTISSEMENT : Portez toujours des gants quand vous montez ou remplacez le dispositif de protection or quand vous affû-tez ou remplacez la lame. Notez la position de la lame sur le dispositif de protection et faites en sorte que votre main ne soit pas exposée à une blessure.

Nettoyez le taille-bordure après chaque utilisation.

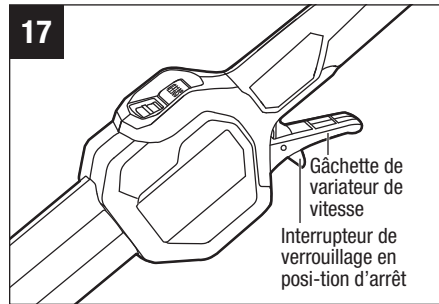
Veillez consulter la rubrique Maintenance pour des instructions sur le nettoyage.

⚠ AVERTISSEMENT : N'utilisez jamais d'eau pour nettoyer votre taille-bordure. Évitez d'utiliser des solvants lorsque vous nettoyez des pièces en plastique. La plupart des plastiques sont susceptibles d'être en-dommagés par divers types de solvants commerciaux. Utilisez des chiffons propres pour retirer les saletés, la poussière, l'huile, la graisse, etc.

MISE EN MARCHÉ / ARRÊT DU TAILLE-BORDURE

Pour démarrer

1. Poussez l'interrupteur de verrouillage en position d'arrêt vers l'avant, puis appuyez sur la gâchette du variateur de vitesse. Le coupe-herbe se mettra alors en marche.
2. La vitesse de rotation de la tête du coupe-herbe est contrôlée par la gâchette du variateur de vitesse. Une pression plus forte sur la gâchette produit une vitesse plus élevée ; une pression réduite sur la gâchette produit une vitesse plus basse. Réglez la vitesse en fonction de la tâche à accomplir (Fig. 17).



AVIS : Le moteur ne fonctionne que lorsque l'interrupteur de verrouillage en position d'arrêt est déplacé vers l'avant et lorsque la gâchette du variateur de vitesse est comprimée en même temps.

Pour arrêter le coupe-herbe

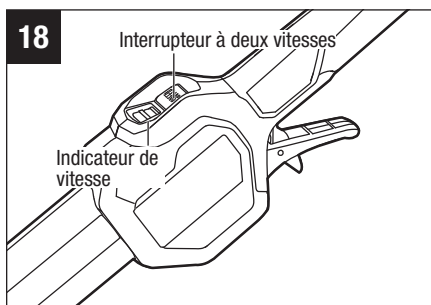
Déplacez le coupe-herbe dans le sens opposé à la zone de coupe et relâchez la gâchette du variateur de vitesse pour arrêter l'outil.

⚠ AVERTISSEMENT : Retirez toujours le bloc-piles du coupe-herbe pendant les pauses et après avoir fini votre travail.

Fonction de réglage de la vitesse (Fig. 18)

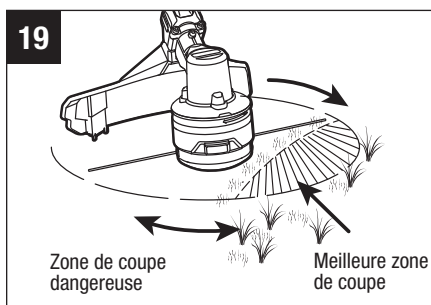
Le coupe-herbe a deux réglages de vitesse possibles. Appuyez sur l'interrupteur à deux vitesses pour changer la vitesse de coupe entre la vitesse lente et la vitesse rapide.

L'indicateur de vitesse affichera l'état de la vitesse active : une lumière pour la vitesse lente et deux lumières pour la vitesse rapide. La gamme de vitesse lente permet un meilleur contrôle du coupe-herbe et une plus longue durée d'utilisation par charge.



CONSEILS POUR LA MEILLEURE COUPE POSSIBLE (Fig. 19)

- L'angle correct pour l'attachement de coupe est quand il est parallèle au sol.
- Ne forcez pas le coupe-herbe. Laissez la pointe du fil faire la coupe (en particulier le long des murs). Si vous coupez avec plus que la pointe, vous réduisez l'efficacité de la coupe et vous risquez également de surcharger le moteur.
- La hauteur de coupe est déterminée par la distance entre le fil de coupe et la surface de la pelouse.
- L'herbe de plus de 20 cm / 8 po de haut doit être coupée en travaillant de haut en bas en petits incréments pour éviter une usure prématurée du fil ou un ralentissement du moteur.

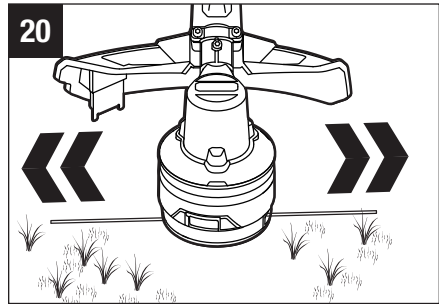


- Déplacez lentement le coupe-herbe dans la zone à couper et faites le ressortir de cette zone lentement, tout en maintenant la position de la tête de coupe à la hauteur de coupe désirée. Ce mouvement peut être soit un mouvement d'avant en arrière, soit un mouvement latéral. Le fait de couper des longueurs plus courtes produit les meilleurs résultats.
- Ne coupez pas quand la pelouse et les mauvaises herbes sont mouillées.
- Le contact avec les fils de fer et les clôtures en lattes verticales peut causer une usure plus rapide ou le bris de l'équipement. Tout contact avec les murs en pierres ou en briques, les trottoirs et le bois peut user rapidement l'équipement.
- Évitez les arbres et les arbustes. L'écorce des arbres, les moulures en bois, les revêtements d'habitations et les poteaux de clôtures peuvent être facilement endommagés par cet équipement.

RÉGLAGE DE LA LONGUEUR DU FIL DE COUPE

La tête de coupe à alimentation Line-IQ est équipée d'une technologie avancée.

Si l'une des extrémités du fil de coupe s'use de moins de 18 cm / 7 po pendant la coupe, la tête de coupe libère automatiquement le fil de coupe et la partie excédentaire du fil de coupe est coupée par la lame de coupe du fil (Fig. 20).



AVIS : Il n'est pas nécessaire de taper sur la tête du coupe-herbe pour libérer le fil de coupe. Si vous ressentez un léger tremblement de la tête du coupe-herbe lors de la coupe de l'herbe, c'est que le fil de coupe se libère automatiquement.

⚠ AVERTISSEMENT : Ne retirez pas et n'altérez pas l'ensemble de lame pour couper le fil. Une longueur de fil excessive causera la surchauffe du moteur et pourrait entraîner une blessure grave.

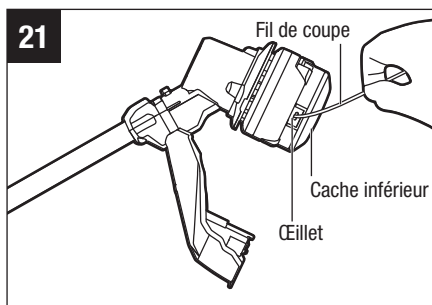
REMPACEMENT DU FIL

⚠ AVERTISSEMENT : N'utilisez jamais un fil renforcé par du métal, un fil métallique, une corde, etc. Ils risqueraient de se casser et de devenir des projectiles dangereux.

⚠ AVERTISSEMENT : Utilisez toujours le fil de coupe en nylon recommandé avec un diamètre qui ne dépasse pas 2,4 mm / 0,095 po. L'utilisation d'un fil de diamètre différent de celui qui est indiqué pourrait causer une surchauffe de l'outil ou son endommagement.

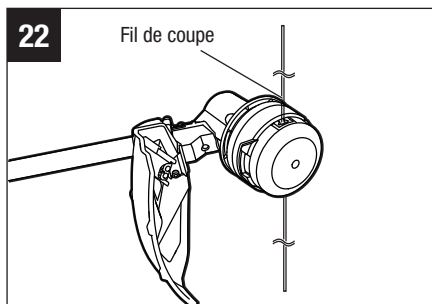
Le taille-bordure est muni d'un système POWERLOAD™ très pointu. Le fil de coupe peut être enroulé sur la bobine simplement en appuyant sur un seul bouton. Le chargement d'une bobine pleine peut habituellement être réalisé en 12 secondes. **Évitez de répéter l'activation du système d'enroulement en succession rapide afin de réduire le risque d'endommagement du moteur.**

1. Détachez le bloc-piles du taille-bordure.
2. Coupez un morceau de fil de coupe de 4 m / 14 pi de long.
3. Insérez le fil dans l'œillet (Fig. 21) et poussez le fil jusqu'à ce que le bout du fil ressorte de l'œillet opposé.



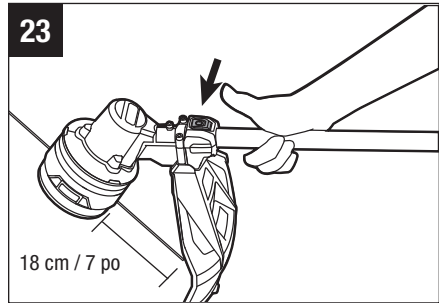
AVIS : Il n'est pas nécessaire d'aligner les œillets pour pouvoir insérer le fil de coupe. Si le fil ne peut pas être inséré dans l'œillet, montez le bloc-piles sur le coupe-herbe, puis appuyez brièvement sur le bouton POWERLOAD pour réinitialiser le mécanisme d'enroulement.

4. Retirez la pile si elle avait été montée sur le taille-bordure lors de la troisième étape.
5. Tirez le fil de l'autre côté jusqu'à ce que des longueurs de fil égales apparaissent des deux côtés de la tête du taille-bordure (Fig. 22).
6. Installez le bloc-piles sur le taille-bordure.



7. Appuyez sur le bouton de chargement du fil pour mettre le moteur d'enroulement du fil en marche. Le fil sera enroulé continuellement sur la tête du taille-bordure (Fig. 23).

8. Observez attentivement la longueur de fil restante. Préparez-vous à relâcher le bouton dès qu'il restera environ 22 cm / 8,5 po de fil de chaque côté. Appuyez brièvement sur le bouton de chargement du fil afin de régler la longueur jusqu'à ce que 18 cm / 7 po de fil soit visible de chaque côté.

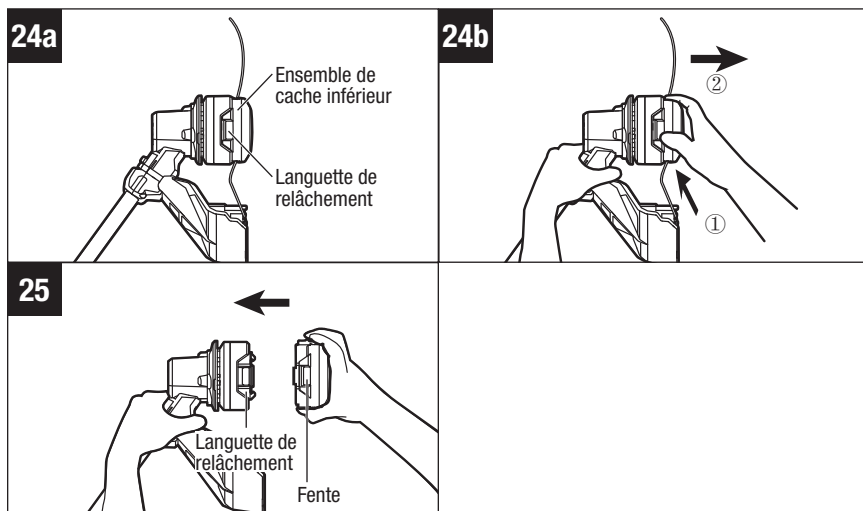


AVIS : Au cas où le fil serait attiré dans la tête du taille-bordure par accident, ouvrez la tête et tirez sur le fil de coupe pour le faire sortir de la bobine. Suivez les instructions de la rubrique « **RECHARGEMENT DU FIL DE COUPE** » dans ce mode d'emploi pour recharger le fil.

RECHARGEMENT DU FIL DE COUPE

AVIS : Lorsque le fil de coupe se casse au niveau de l'œillet de sortie du fil ou lorsque le fil de coupe ne se libère pas lorsque vous tapotez la tête du taille-bordure, il faut retirer le reste du fil de coupe de la tête du taille-bordure et suivre les instructions ci-dessous pour recharger le fil.

1. Détachez le bloc-piles du taille-bordure.
2. Appuyez sur les deux languettes de relâchement sur la tête du taille-bordure et retirez l'ensemble de cache inférieur de la tête du taille-bordure en tirant tout droit pour le faire sortir (Fig. 24a & 24b).
3. Retirez le fil de coupe de la tête du taille-bordure.
4. Tout en tenant le taille-bordure d'une main, servez-vous de l'autre main pour saisir l'ensemble de cache inférieur, et alignez les fentes dans l'ensemble de cache inférieur sur les languettes de relâchement. Appuyez sur l'ensemble de cache inférieur jusqu'à ce qu'il soit positionné en place. Vous entendrez alors un déclic très clair (Fig. 25).
5. Suivez les instructions figurant sous la rubrique « **REMPLEMENT DU FIL** » pour recharger le fil de coupe.



ENTRETIEN

⚠ AVERTISSEMENT : Lors de toute réparation, n'utilisez que des pièces de rechange identiques. L'utilisation de toutes autres pièces de rechange pourrait créer un danger ou endommager le produit. Pour assurer la sécurité et la fiabilité, toutes les réparations doivent être effectuées par un technicien de service qualifié.

⚠ AVERTISSEMENT : Il n'est pas nécessaire de brancher les outils alimentés par des piles dans une prise de courant ; ils sont toujours en état de fonctionnement. Pour éviter tout risque de blessure grave, prenez des précautions supplémentaires lorsque vous effectuez une opération d'entretien ou de maintenance, ou lorsque vous changez l'attachement de coupe ou d'autres attachements.

⚠ AVERTISSEMENT : Pour éviter tout risque de blessure grave, retirez le bloc-piles de l'outil avant de le réparer, de le nettoyer ou de retirer des déchets de l'outil.

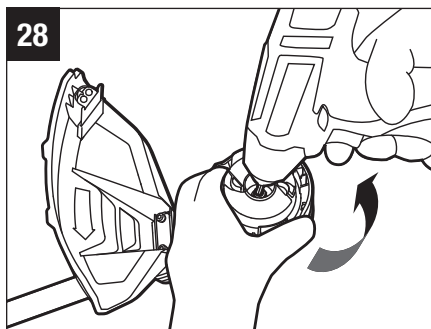
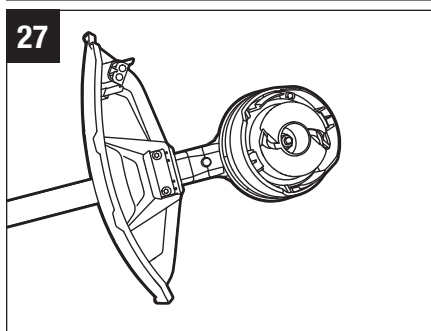
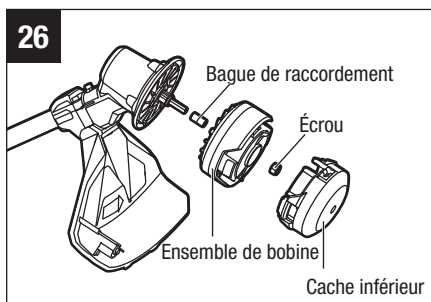
Toutes les opérations d'entretien du taille-bordure, à l'exception de celles qui sont mentionnées dans ces instructions de maintenance, doivent être effectuées par des techniciens qualifiés pour la réparation d'un taille-bordure.

REMPACEMENT DE LA TÊTE DU TAILLE-BORDURE

⚠ AVERTISSEMENT : Si la tête se des-serre après avoir été fixée en place, remplacez-la immédiatement. N'utilisez jamais un taille-bordure dont un attachement de coupe est mal assujéti. Remplacez immédiatement toute tête fissurée, endommagée ou usée, même si le dommage est limité à des fissures superficielles. De tels attachements risqueraient de se fracasser à haute vitesse et de causer des blessures graves.

RETRAIT DE LA TÊTE DU TAILLE-BORDURE

1. Retirez la fiche d'alimentation électrique du taille-bordure.
2. Appuyez sur les deux languettes de relâchement sur la tête du taille-bordure et retirez l'ensemble de cache inférieur de la tête du taille-bordure en tirant tout droit pour le faire sortir (Fig. 24a & 24b).
3. Retirez le fil de coupe de la tête du taille-bordure (Fig. 27).
4. Portez des gants. Utilisez une main pour saisir l'ensemble de bobine afin de le stabiliser, et utilisez l'autre main pour tenir une clé à chocs (non incluse) pour desserrer l'écrou dans le sens contraire des aiguilles d'une montre (Fig. 28).
5. Retirez l'ensemble de bobine, le cache supérieur et le manchon de raccordement de l'arbre du moteur (Fig. 26). Conservez le manchon de raccordement pour un montage ultérieur.
6. Remplacement par une nouvelle tête de taille-bordure et montage en suivant les étapes ci-après.



Installation de la nouvelle tête de taille-bordure

1. Montez le manchon de raccordement dans l'arbre du moteur et mettez l'ensemble de la bobine en place. Utilisez une clé à chocs pour serrer l'écrou. (Fig. 26)

2. Tout en tenant le coupe-herbe d'une main, servez-vous de l'autre main pour saisir l'ensemble de cache inférieur, et alignez les fentes dans l'ensemble de cache inférieur sur les languettes de relâchement. Appuyez sur l'ensemble de cache inférieur jusqu'à ce qu'il soit positionné en place. Vous entendrez alors un déclic très clair (Fig. 25).
3. Suivez les instructions figurant sous la rubrique « **REMPLACEMENT DU FIL** » dans ce mode d'emploi pour recharger le fil de coupe.
4. Démarrez l'outil pour vérifier s'il fonctionne normalement. Si ce n'est pas le cas, réassemblez l'outil en suivant les étapes ci-dessus.

NETTOYAGE DE L'ÉQUIPEMENT

- Retirez les piles.
- Détachez toute l'herbe qui peut s'être accumulée autour de l'arbre du moteur ou de la tête du taille-bordure.
- Utilisez une petite broche ou la décharge d'air d'une petite brosse de nettoyage d'un aspirateur pour nettoyer les événements d'aération sur le logement arrière.
- Assurez-vous que les événements d'aération ne sont jamais bouchés.
- Nettoyez l'équipement en utilisant un chiffon humide avec un détergent doux.
- N'utilisez pas de détergents trop forts sur le logement en plastique ou sur la poignée. Ils pourraient être endommagés par certaines huiles aromatiques, comme le pin et le citron, et par des solvants tels que le kérosène. L'humidité peut également causer un risque de choc. Essuyez toute humidité avec un chiffon doux et sec.

AFFÛTAGE DE LA LAME COUPE-FIL

⚠ AVERTISSEMENT : Protégez toujours vos mains au moyen de gants épais lorsque vous procédez à tout entretien de la lame coupe-fil.

1. Détachez le bloc-piles du coupe-herbe.
2. Retirez la lame de coupe du fil du dispositif de protection.
3. Sécurisez la lame dans un étau.
4. Portez une protection des yeux appropriée ainsi que des gants, et faites attention de ne pas vous couper.

5. Affûtez les bords de coupe de la lame avec précaution en utilisant une lime à dents fines ou une pierre à aiguïser, et veillez à conserver l'angle du bord de coupe d'origine.
6. Remettez la lame sur le dispositif de protection et sécurisez-la en place au moyen des deux vis prévues à cet effet.

TRANSPORT ET RANGEMENT

- Détachez le bloc-piles du taille-bordure.
- Nettoyez soigneusement l'outil avant de le ranger.
- Rangez l'outil dans un endroit sec et bien aéré, verrouillé ou en hauteur, hors de portée des enfants. Ne rangez pas cet équipement sur des engrais, de l'essence ou d'autres produits chimiques, ou à proximité de ceux-ci.
- Tenez-le à distance des agents corrosifs tels que des produits chimiques de jardins et des sels pour faire fondre la glace.

DÉPANNAGE

PROBLÈME	CAUSE	SOLUTION
Le taille-bordure ne se met pas en marche.	<ul style="list-style-type: none"> ■ Le bloc-piles n'est pas attaché au taille-bordure. ■ Il n'y a pas de contact électrique entre le taille-bordure et le bloc-piles. ■ Les piles du bloc-piles sont déchargées. ■ L'interrupteur de verrouillage en position d'arrêt n'est pas déplacé vers l'avant avant d'appuyer sur la gâchette du variateur de vitesse. ■ L'arbre du moteur ou la tête du taille-haie est obstrué par de l'herbe. 	<ul style="list-style-type: none"> ■ Attachez le bloc-piles au taille-bordure. ■ Retirez les piles, inspectez les contacts et réinstallez le bloc-piles. ■ Chargez le bloc-piles. ■ Poussez l'interrupteur de verrouillage en position d'arrêt vers l'avant, puis appuyez sur la gâchette du variateur de vitesse. ■ Retirez l'herbe de l'arbre du moteur et de la tête du coupe-herbe.
Le taille-bordure cesse de fonctionner pendant qu'il était en train de couper.	<ul style="list-style-type: none"> ■ Le dispositif de protection n'est pas monté sur le taille-bordure, ce qui produit un fil de coupe excessivement long et la surcharge du moteur. ■ Un fil de coupe lourd est utilisé. ■ Le bloc-piles ou le taille-bordure est trop chaud. ■ Le bloc-piles est déconnecté de l'outil. ■ Les piles du bloc-piles sont déchargées. 	<ul style="list-style-type: none"> ■ Retirez le bloc-piles et montez le dispositif de protection sur le taille-bordure. ■ Utilisez un fil de coupe en nylon recommandé avec un diamètre ne dépassant pas 2,4 mm / 0,095 po. ■ Laissez les piles ou le taille-bordure refroidir. ■ Réinstallez le bloc-piles. ■ Chargez le bloc-piles.

PROBLÈME	CAUSE	SOLUTION
La tête du taille-bordure ne fait pas avancer le fil.	<ul style="list-style-type: none"> ■ L'arbre du moteur ou le taille-bordure est obstrué par de l'herbe. ■ Il n'y a pas assez de fil sur la bobine ou le fil se casse au niveau de l'œillet. ■ Le fil est emmêlé. ■ Le fil est trop court. ■ Un fil de coupe lourd est utilisé. ■ Mauvais fonctionnement de la tête du coupe-herbe. 	<ul style="list-style-type: none"> ■ Arrêtez le taille-bordure, retirez les piles et détachez l'herbe pouvant s'être accumulée sur l'arbre du moteur et la tête du taille-bordure. ■ Retirez les piles et remplacez le fil de coupe en suivant les instructions figurant sous la rubrique « REMPLACEMENT DU FIL » de ce mode d'emploi. ■ Retirez les piles, retirez le fil de la tête du taille-bordure et rembobinez en suivant les instructions figurant sous la rubrique « RECHARGEMENT DU FIL DE COUPE » de ce mode d'emploi. ■ Retirez les piles et tirez à la main sur les fils tout en enfonçant et relâchant alternativement la tête du taille-bordure. ■ Utilisez un fil de coupe en nylon re-commandé avec un diamètre ne dépassant pas 2,4 mm / 0,095 po. ■ Appelez le Centre de service à la clientèle EGO pour obtenir de l'aide.
De l'herbe enveloppe la tête du taille-bordure et le boîtier du moteur.	<ul style="list-style-type: none"> ■ Coupe d'herbes hautes au niveau du sol. 	<ul style="list-style-type: none"> ■ Coupez l'herbe haute de haut en bas, en ne coupant pas plus de 20 cm / 8 po à la fois afin d'éviter qu'elle ne s'accumule.
La lame ne coupe pas le fil.	<ul style="list-style-type: none"> ■ La lame pour couper le fil sur le bord du dispositif de protection s'est émoussée. 	<ul style="list-style-type: none"> ■ Suivez les instructions afin d'affûter la lame pour couper le fil ou remplacez-la par une nouvelle lame.

PROBLÈME	CAUSE	SOLUTION
<p>Fissures sur la tête du taille-bordure ou dé-tachement du dispositif de retenue de la bobine de la base de la bobine.</p>	<ul style="list-style-type: none"> ■ La tête du taille-bordure est usée. 	<ul style="list-style-type: none"> ■ Remplacez immédiatement la tête du taille-bordure n suivant les instructions figurant sous la rubrique « REPLACE-MENT DE LA TÊTE DU TAILLE-BORDURE » de ce mode d'emploi.
<p>Le fil de coupe ne peut pas être enroulé correctement dans la tête du taille-bordure.</p>	<ul style="list-style-type: none"> ■ Un fil de coupe inapproprié est utilisé. ■ Des débris d'herbe ou des saletés se sont accumulés dans la tête du taille-bordure et ont bloqué le mouvement de la bobine de fil. ■ Le moteur est en état de surchauffe en raison de l'utilisation répétée du système d'enroulement du fil. ■ Pile partiellement déchargée. ■ Le fil n'est pas enroulé dans l'ensemble de la bobine. ■ Mauvais fonctionnement de la tête du coupe-herbe. 	<ul style="list-style-type: none"> ■ Nous suggérons que vous utilisiez le fil de coupe en nylon d'origine d'EGO ; voir la rubrique « Fil de coupe recommandé » de ce mode d'emploi. Si vous utilisez le fil en nylon et le problème persiste, veuillez contacter le centre de service à la clientèle d'EGO pour demander conseil. ■ Retirez la pile, ouvrez la tête du taille-bordure et nettoyez-la complètement. ■ Laissez le taille-bordure fonctionner à vide pendant quelques minutes afin de refroidir le moteur, puis essayez de recharger le fil. ■ Rechargez la pile. ■ Retirez le fil et réinsérez-le. ■ Appelez le Centre de service à la clientèle EGO pour obtenir de l'aide.

PROBLÈME	CAUSE	SOLUTION
Le fil de coupe ne peut pas être acheminé à travers la tête du taille-bordure quand vous insérez le fil.	<ul style="list-style-type: none">■ Le fil de coupe est fendu ou recourbé à son extrémité.	<ul style="list-style-type: none">■ Coupez le bout usé du fil et réinsérez le fil.

GARANTIE

POLITIQUE D'EGO EN MATIÈRE DE GARANTIE

Garantie limitée de 5 ans sur les équipements d'alimentation électrique d'extérieur EGO POWER+ et les équipements d'alimentation électrique portable pour un usage personnel et domestique.

Garantie limitée de 3 ans sur les blocs-piles et chargeurs du système EGO POWER+ pour un usage personnel et domestique. Une extension de garantie supplémentaire de deux ans s'applique à la pile de 10,0 Ah, qu'elle soit vendue séparément (Modèle N° BA5600T) ou incluse avec un outil quelconque, à condition d'être enregistrée dans les 90 jours de l'achat. Garantie limitée de cinq ans sur le chargeur CHV1600, conçu pour être employé avec la tondeuse à conducteur porté à rayon de braquage zéro pour utilisation personnelle, résidentielle.

Garantie limitée de 2 ans/1 an sur les équipements d'alimentation électrique d'extérieur, les équipements d'alimentation électrique portables, les blocs-piles et les chargeurs EGO pour un usage professionnel et commercial.

La durée et les détails de la garantie de chaque produit sont indiqués en ligne à l'adresse <http://egopowerplus.com/warranty-policy>.

Veuillez communiquer avec le service à la clientèle d'EGO au 1 855 EGO-5656 (numéro sans frais) pour toute question sur les réclamations au titre de la garantie.

GARANTIE LIMITÉE

Les produits EGO sont garantis contre tout défaut de matériel ou de fabrication à compter de la date d'achat d'origine pour la période de garantie applicable. Les produits défectueux recevront une réparation gratuite.

- a) Cette garantie s'applique uniquement à l'acheteur initial s'étant procuré le produit chez un détaillant EGO autorisé et est non transférable. La liste des détaillants EGO autorisés est publiée en ligne sur le site <http://egopowerplus.com/warranty-policy>.
- b) La période de garantie pour les produits remis en état ou certifiés par l'usine utilisés à des fins résidentielles est de 1 an, et de 90 jours lorsqu'ils sont utilisés à des fins industrielles, professionnelles ou commerciales.
- c) La période de garantie pour les pièces d'entretien de routine, telles que, mais sans s'y limiter, le siège de la tondeuse à conducteur porté, les roues, les pneus, les roues anti-scalp, le disque de frein, le bloc de friction, les lames, les têtes de coupe, les barres de chaîne, les chaînes de scie, les courroies, les barres de raclage, les palettes en caoutchouc, les tarières, les patins, les buses de soufflante et tous les autres accessoires EGO est de 90 jours à des fins résidentielles ou de 30 jours à des fins industrielles, professionnelles ou commerciales. Ces pièces sont couvertes pendant 90 ou 30 jours contre tout défaut de fabrication dans des conditions d'utilisation normales.

- d) La présente garantie n'est pas valide si le produit a été utilisé aux fins de location.
- e) La présente garantie ne couvre pas les dommages résultant d'une modification, d'une altération ou d'une réparation non autorisée.
- f) Cette garantie couvre uniquement les défauts survenant dans des conditions normales d'utilisation et ne couvre aucun dysfonctionnement ou défaut ni aucune défaillance découlant d'un usage inapproprié ou abusif (notamment la surcharge du produit et son immersion dans l'eau ou dans tout autre liquide), d'un accident, d'une négligence, d'une installation inadéquate et de tout entretien ou entreposage inadéquat.
- g) La présente garantie ne couvre pas la détérioration normale du fini extérieur, notamment les rayures, les bosselures, les craquelures de la peinture ou toute corrosion ou décoloration résultant de la chaleur, de produits abrasifs ou de nettoyeurs chimiques.

RÉCLAMATION AU TITRE DE LA GARANTIE

Pour faire une réclamation au titre de la garantie, veuillez communiquer avec le service à la clientèle d'EGO au **1 855 EGO-5656** (numéro sans frais). Lorsque vous faites une réclamation au titre de la garantie, vous devez présenter le reçu de vente original. Un centre de service autorisé sera sélectionné pour la réparation du produit conformément aux conditions de garantie prescrites. Il se peut qu'un petit dépôt soit exigé lorsque vous laissez votre outil dans un centre de service autorisé. Ce dépôt est remboursable lorsque le service de réparation est considéré comme étant couvert par la garantie.

RESTRICTIONS SUPPLÉMENTAIRES

Dans la mesure permise par la loi en vigueur, toutes les garanties implicites, y compris les garanties de QUALITÉ MARCHANDE ou D'ADÉQUATION À UN USAGE PARTICULIER, sont exclues. Toute garantie implicite, y compris la garantie de qualité marchande ou d'adéquation à un usage particulier, qui ne peut être rejetée en vertu de la loi de l'État ou de la province est limitée à la période de garantie applicable définie au début de cet article.

Chervon North America n'est pas responsable des dommages accessoires, consécutifs, indirects ou directs.

Certaines provinces n'autorisent pas les restrictions de durée de garantie implicite, ou l'exclusion ou la restriction des dommages consécutifs et accessoires; c'est pourquoi les restrictions ci-dessus peuvent ne pas s'appliquer à votre cas.

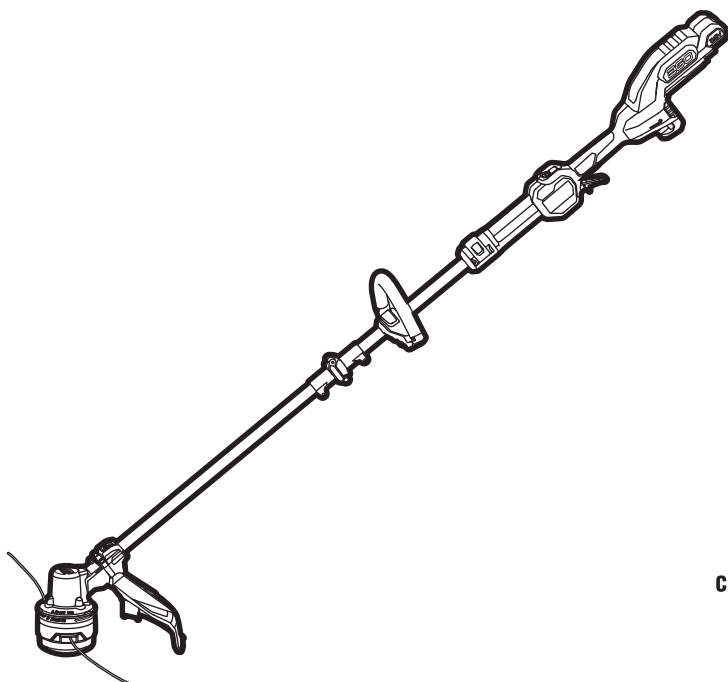
Cette garantie vous confère des droits précis. Il est possible que vous disposiez également d'autres droits, qui varient d'une province à l'autre.

Pour communiquer avec le service à la clientèle, veuillez composer le numéro sans frais suivant : **1 855 EGO-5656** ou consulter le site Web **EGOPOWERPLUS.COM**.

EGO Customer Service, 769 SEWARD AVE NW / Suite 102 Grand Rapids, MI 49504, États-Unis.

EGO™

POWER⁺ STRING TRIMMER



MANUAL DE OPERACIONES

ORILLADORA DE HILO INALÁMBRICA DE ION LITIO DE 56 V

MODELO NÚMERO
ST1510T/ST1510T-FC

⚠ ADVERTENCIA: Para reducir el riesgo de lesiones, el usuario debe leer y comprender el Manual del usuario antes de usar el producto. Guarde estas instrucciones para consultarlas en el futuro.

ÍNDICE

Símbolos de seguridad	75
Instrucciones de seguridad	76-81
Introducción	82
Especificaciones	83
Lista de empaque	84
Descripción	85-87
Ensamblaje	88-92
Funcionamiento	93-100
Mantenimiento	101-104
Solución de problemas	105-107
Garantía	108-110

¡LEA TODAS LAS INSTRUCCIONES!



LEA Y ENTIENDA EL
MANUAL DE INSTRUCCIONES

SÍMBOLOS DE SEGURIDAD

El propósito de los símbolos de seguridad es alertarlo sobre posibles peligros. Los símbolos de seguridad y sus explicaciones merecen una atención y comprensión minuciosas. Las advertencias de los símbolos, por sí mismas, no eliminan los peligros. Las instrucciones y las advertencias no sustituyen las medidas de prevención de accidentes que correspondan.

⚠ ADVERTENCIA: Antes de utilizar esta herramienta, asegúrese de leer y comprender todas las instrucciones de seguridad en este Manual del usuario, incluidos todos los símbolos de alerta de seguridad como “**PELIGRO**”, “**ADVERTENCIA**” y “**PRECAUCIÓN**”. No seguir todas las instrucciones que se indican a continuación podría resultar en descargas eléctricas, incendios y/o lesiones personales graves.

SIGNIFICADO DE LOS SÍMBOLOS

⚠ SÍMBOLO DE ALERTA DE SEGURIDAD: Indica PELIGRO, ADVERTENCIA O PRECAUCIÓN. Puede aparecer junto con otros símbolos o pictografías.



⚠ ADVERTENCIA! La utilización de herramientas eléctricas puede hacer que algunos objetos extraños golpeen los ojos y cause heridas graves. Antes de comenzar a operar una herramienta eléctrica, use siempre gafas protectoras o gafas de seguridad con blindaje lateral y un protector facial si es necesario. Le recomendamos usar una máscara de seguridad de visión amplia sobre anteojos o gafas de seguridad estándar con protección lateral. Use siempre lentes de protección con la marca de cumplimiento de la norma ANSI Z87.1.

INSTRUCCIONES DE SEGURIDAD

Esta página muestra y describe los símbolos de seguridad que pueden aparecer en este producto. Lea, comprenda y siga todas las instrucciones de la máquina antes de ensamblarla y utilizarla.

	Alerta de seguridad	Indica que existe el riesgo de que se produzcan lesiones personales.
	Lea y comprenda el Manual del usuario	Para reducir el riesgo de lesiones, el usuario debe leer y comprender el Manual del operador antes de utilizar este producto.
	Lentes de protección	Al utilizar este producto, colóquese siempre gafas o lentes de seguridad con protectores laterales que cumplan con la norma ANSI Z87.1.
	Símbolos de reciclaje	Este producto utiliza baterías de iones de litio. Las leyes locales, estatales o federales podrían prohibir la eliminación de baterías en basureros comunes. Consulte con la autoridad reguladora de desechos local para obtener información sobre las opciones de reciclaje o eliminación disponibles.
IPX4	Grado de protección de ingreso	Protección contra las salpicaduras de agua
V	Voltio	Voltaje
	Corriente continua	Tipo o característica de corriente
n_0	Velocidad sin carga	Velocidad de rotación sin carga
RPM	Revoluciones por minuto	Velocidad rotacional
cm	Velocidad de rotación	Largo o tamaño
mm	Centímetros	Largo o tamaño
in.	Pulgada	Largo o tamaño
kg	Kilogramo	Peso
lb	Libra	Peso

ADVERTENCIAS DE SEGURIDAD GENERAL EN EL MANEJO DE HERRAMIENTAS ELÉCTRICAS QUE FUNCIONAN CON BATERÍAS

⚠ ADVERTENCIA lea todas las advertencias de seguridad, las instrucciones, las ilustraciones y las especificaciones que se incluyen esta herramienta eléctrica. No seguir todas las instrucciones que se detallan a continuación podría provocar descargas eléctricas, incendios o lesiones graves.

Guarde todas las advertencias e instrucciones para referencia futura.

SEGURIDAD EN EL ÁREA DE TRABAJO

- **Mantenga el área de trabajo limpia y bien iluminada.** Las áreas desordenadas u oscuras aumentan las posibilidades de accidentes.
- **No utilice herramientas eléctricas en atmósferas en las que exista riesgo de explosión, como por ejemplo en presencia de líquidos inflamables, gases o polvo.** Las herramientas eléctricas producen chispas que podrían encender el polvo o el humo.
- **Mantenga a los niños y transeúntes alejados mientras opera una herramienta eléctrica.** Las distracciones pueden hacer que pierda el control.
- **Evite entornos peligrosos:** no use los electrodomésticos en lugares húmedos o mojados.

SEGURIDAD PERSONAL

- **Manténgase alerta, preste atención a lo que hace y utilice el sentido común cuando utilice una herramienta eléctrica. No utilice una herramienta eléctrica si está cansado o bajo los efectos de drogas, alcohol o medicamentos.** Un momento de desatención mientras opera herramientas eléctricas puede provocar lesiones personales graves.
- **Siempre utilice un equipo de protección personal.** Los equipos de protección, como lentes de protección, mascarillas antipolvo, zapatos de seguridad antideslizantes, cascos protectores o auriculares de seguridad, utilizados para condiciones adecuadas, disminuyen las lesiones personales.
- **Evite un arranque accidental. Asegúrese de que el interruptor esté en la posición de apagado antes de conectar la herramienta al paquete de baterías, levantarla o transportarla.** Transportar herramientas eléctricas con el dedo en el interruptor o enchufar herramientas eléctricas que tienen el interruptor encendido aumenta las posibilidades de accidentes.

- **Retire todas las llaves de ajuste o llaves inglesas antes de encender la herramienta eléctrica.** Si se deja una llave inglesa o una llave conectada a una pieza en movimiento de la herramienta eléctrica, se pueden producir lesiones personales.
- **No se extienda demasiado. Mantenga una postura y un equilibrio adecuados en todo momento.** Esto le permitirá tener un mejor control de la herramienta eléctrica en situaciones inesperadas.
- **Declaraciones de precaución sobre el uso de ropa y calzado adecuados durante la utilización de la orilladora para reducir el riesgo de lesiones que puedan ser causadas por residuos que salgan volando.**
- **Si se proporcionan dispositivos para la conexión de instalaciones de extracción y recolección de polvo, asegúrese de que se conecten y se usen debidamente.** La recolección de polvo puede disminuir los peligros relacionados con el polvo.
- **No permita que la familiaridad del uso frecuente de las herramientas lo haga no tener en cuenta los principios de seguridad en el manejo de las herramientas.** Un descuido puede ocasionar una lesión grave en cuestión de segundos.

USO Y CUIDADO DE LAS HERRAMIENTAS ELÉCTRICAS

- **No fuerce la herramienta eléctrica. Utilice la herramienta eléctrica adecuada para su tarea.** La herramienta eléctrica adecuada realizará un trabajo más seguro y de mejor calidad al ritmo para el que fue diseñada.
- **No utilice la herramienta eléctrica si el interruptor no la enciende o apaga.** Cualquier herramienta eléctrica que no pueda controlarse con el interruptor es peligrosa y debe repararse.
- **Utilice el aparato adecuado:** No utilice el aparato para ningún trabajo que no sea aquel para el que está diseñado.
- **Si es posible, retire el paquete de baterías de la herramienta eléctrica o active cualquier dispositivo que bloquee la batería antes de retirar material atascado, realizar ajustes, cambiar accesorios, limpiar o almacenar herramientas eléctricas.** Este tipo de medidas de seguridad preventivas reduce el riesgo de arranques accidentales de la herramienta eléctrica.
- **Almacene las herramientas eléctricas que no estén en uso fuera del alcance de los niños y no permita que personas no familiarizadas con la herramienta o estas instrucciones la operen. Las herramientas eléctricas son peligrosas en manos de usuarios sin capacitación.**

- **Realice mantenimiento a las herramientas eléctricas y a los accesorios. Revise si hay piezas móviles desalineadas o torcidas, si hay piezas rotas y cualquier otra condición que pueda afectar el funcionamiento de la herramienta eléctrica.** Si se daña la herramienta eléctrica, hágala reparar antes de usarla. Muchos accidentes son producto del mantenimiento incorrecto de las herramientas eléctricas y los accesorios.
- **Mantenga las herramientas de corte afiladas y limpias.** Las herramientas de corte que se mantienen adecuadamente, con sus bordes de corte afilados, tienen menos riesgo de trabarse y son más fáciles de controlar.
- **Use la herramienta eléctrica, los accesorios, las brocas, etc., de acuerdo con estas instrucciones, teniendo en cuenta las condiciones de trabajo y el trabajo que realizará.** El uso de la herramienta eléctrica para diferentes funciones distintas a las previstas podría crear una situación de peligro.
- **Mantenga las manijas y las superficies de agarre secas, limpias y sin aceite ni grasa.** Las manijas y superficies de agarre húmedas pueden provocar una manipulación insegura o la pérdida de control de la herramienta.
- **Mantenga los cables alejados del área de trabajo de la herramienta.** Durante el funcionamiento, los cables pueden estar ocultos y la herramienta puede dañarlos accidentalmente.

USO Y CUIDADO DE LA HERRAMIENTA A BATERÍA

- **Recargue el paquete de baterías solo con el cargador especificado por el fabricante.** Un cargador adecuado para un tipo de paquete de baterías puede crear un riesgo de incendio cuando se usa con otro paquete de baterías. Use solamente con los paquetes de batería y los cargadores que se indican a continuación:

PAQUETE DE BATERÍAS	CARGADOR
BA1400, BA1400-FC, BA2800, BA2800-FC, BA4200, BA4200-FC, BA1400T, BA1400T-FC, BA2240T, BA2240T-FC, BA2242T, BA2242T-FC, BA2800T, BA2800T-FC, BA4200T, BA4200T-FC	CH2100, CH2100-FC, CH3200, CH3200-FC, CH5500, CH5500-FC, CH2800D, CH2800D-FC, CH7000, CH7000-FC

- **Use las herramientas eléctricas solo con los paquetes de baterías específicamente designados para ellas.** El uso de cualquier otro paquete de baterías puede crear un riesgo de lesión e incendio.

- **Cuando el paquete de baterías no está en uso, aléjelo de objetos metálicos, como sujetapapeles, monedas, llaves, clavos, tornillos u otros objetos metálicos pequeños que pudieran crear una conexión entre los terminales.** Es posible que conectar los terminales de la batería entre sí produzca quemaduras o un incendio.
- **En condiciones de maltrato, es posible que salga líquido de la batería. Evite el contacto. Si se produce un contacto accidental, enjuague con agua. Si el líquido entra en contacto con los ojos, solicite atención médica adicional.** El líquido que sale de la batería puede provocar irritación o quemaduras.
- **No utilice un paquete de baterías ni una herramienta si están dañadas o modificadas.** Las baterías dañadas o modificadas pueden mostrar una conducta impredecible que podría provocar incendios, explosiones o riesgo de lesiones.
- **No exponga el paquete de baterías ni la herramienta al fuego o a una temperatura excesiva.** La exposición al fuego o a temperaturas por encima de los 212 °F (100 °C) puede causar una explosión.
- No modifique ni intente reparar el aparato o el paquete de batería (según sea aplicable), excepto tal y como se indica en las instrucciones de uso y cuidado.
- **Siga todas las instrucciones de carga y no cargue el paquete de baterías ni las herramientas fuera del rango de temperatura especificado en las instrucciones.** La carga inadecuada o a temperaturas fuera del rango especificado podría dañar la batería y aumentar el riesgo de incendio.

MANTENIMIENTO

- **Permita que solo una persona capacitada repare la herramienta eléctrica, mediante el uso solo de piezas de repuesto idénticas.** Esto mantendrá la seguridad de la herramienta eléctrica.
- **Nunca realice mantenimiento a los paquetes de baterías.** Solo el fabricante o proveedores de servicio autorizados pueden realizar el mantenimiento de los paquetes de baterías.

INSTRUCCIONES DE SEGURIDAD PARA LA ORILLADORA DE HILO

- **Cuando reemplace el hilo de corte, utilice hilo de nylon EGO de 0,095 pulgadas (2,4 mm);** la utilización de hilos más gruesos que los recomendados por el fabricante aumenta la carga sobre el motor y reduce su velocidad de funcionamiento. Esto causa sobrecalentamiento y daños a la orilladora.

- **Para reducir el riesgo de lesiones graves, nunca utilice hilo de alambre o de metal reforzado ni otro material en lugar de los hilos de corte de nailon.** Se podrían romper trozos de alambre y dispararse a alta velocidad hacia el operador o los transeúntes.
- **Reemplace los cabezales agrietados, dañados o gastados de inmediato, aunque el daño se limite a grietas superficiales.** Dichos aditamentos podrían desprenderse a alta velocidad y provocar lesiones graves o mortales.

INSTRUCCIONES IMPORTANTES DE SEGURIDAD

- **Si la herramienta eléctrica comienza a vibrar de manera anormal o se vuelve ruidosa, detenga el motor y busque la causa de inmediato.** Por lo general, el ruido anormal advierte acerca de un problema.
- **Antes de usar este producto, asegúrese de que todos los protectores y demás dispositivos de seguridad adecuados estén asegurados correctamente. No utilice sin las cubiertas protectoras en su sitio.**
- **No cargue el paquete de baterías en una ubicación húmeda o mojada.**
- **No incinere la batería. Las celdas pueden explotar.** Revise los códigos locales para obtener instrucciones especiales para la eliminación de las baterías.
- **No abra ni mutile la batería.** Los electrolitos liberados son corrosivos y pueden causar daños en los ojos o la piel. Pueden ser tóxicos si se ingieren.
- **Las herramientas con batería no se deben enchufar en un tomacorriente; por lo tanto, siempre están en condiciones de funcionamiento.** Tenga en cuenta los posibles peligros incluso cuando no use la herramienta. Tenga cuidado al realizar la reparación o el mantenimiento.
- **No lave la unidad con una manguera; evite que entre agua en el motor y las conexiones eléctricas.**
- **Si se presenta alguna situación que no aparece en este manual, tenga cuidado y aplique su mejor criterio. Póngase en contacto con el Centro de Servicio al Cliente de EGO para recibir ayuda.**
- **GUARDE ESTAS INSTRUCCIONES.** Consúltelas periódicamente y úselas para instruir a otras personas que puedan usar esta herramienta. Si presta la herramienta a alguien más, préstele también estas instrucciones para evitar el uso indebido del producto y posibles lesiones.

GUARDE ESTAS INSTRUCCIONES.

INTRODUCCIÓN

Felicitaciones por elegir la orilladora EGO POWER+ con iones de litio de 56 voltios. Ha sido concebido, diseñado y fabricado para brindarle una confiabilidad y un rendimiento máximos.


En caso de que tuviera algún problema que no pudiera resolver fácilmente, póngase en contacto con el Centro de Servicio al Cliente de EGO llamando al 1-855-EGO-5656.

Este manual contiene información importante para el ensamble, el funcionamiento y el mantenimiento seguro de su producto. Léalo atentamente antes de usar el producto. Mantenga este manual a mano para poder consultarlo en cualquier momento.

NÚMERO DE SERIE _____ FECHA DE COMPRA _____

DEBE ANOTAR EL NÚMERO DE SERIE Y LA FECHA DE COMPRA Y CONSERVARLOS EN UN LUGAR SEGURO PARA CONSULTARLOS EN EL FUTURO.

SPECIFICATIONS

Voltaje	56 V 
Velocidad sin carga	Ajuste de velocidad baja: 3500-4800 RPM
	Ajuste de velocidad alta: 4000-5500 RPM
Mecanismo de la línea de corte	AVANCE DEL HILO LINE-IQ
Tipo de hilo de corte	0,095 pulgadas (2,4 mm) hilo de nailon enrollado
Ancho de corte	16 pulgadas (40 cm)
Temperatura de funcionamiento	0°C a 40°C (32°F a 104°F)
Temperatura de almacenaje	-4 °F a 158 °F (-20 °C a 70 °C)
Peso neto (incluyendo el protector)	7.67 lbs. (3.48 kg)

ACCESORIOS RECOMENDADOS

NOMBRE DE LA PIEZA	NÚMERO DEL MODELO
Línea de corte	AL2420P/AL2450S/AL2420PD
Bandolera	AP1500

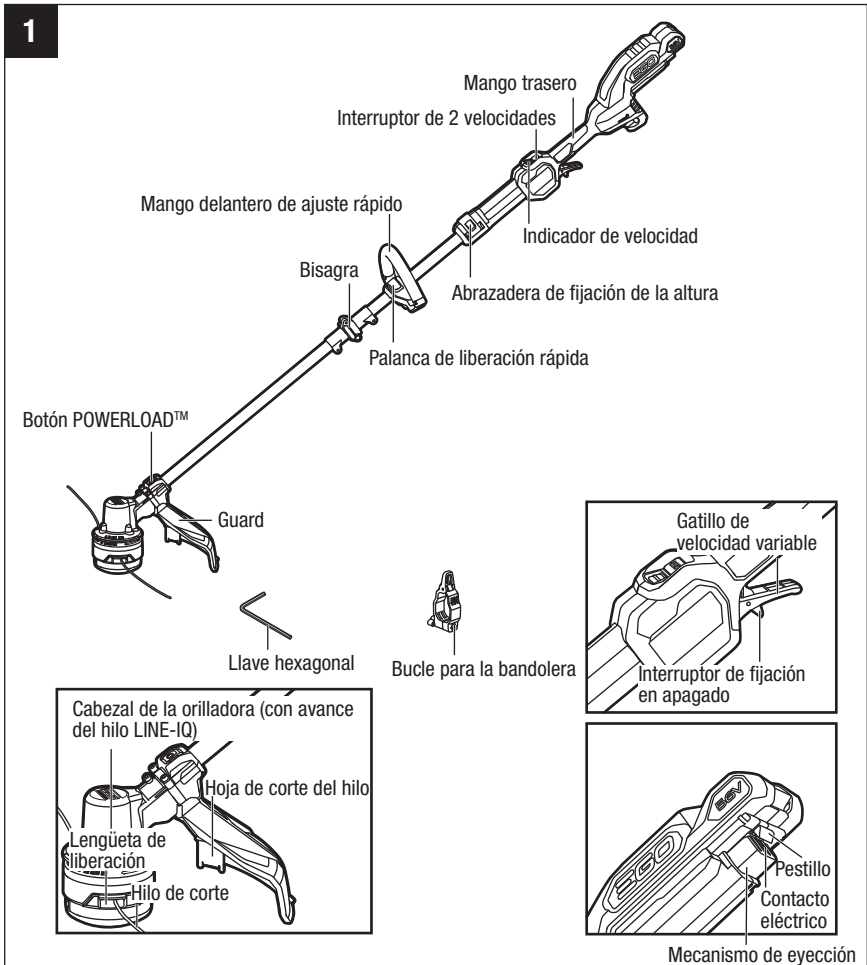
LISTA DE EMPAQUE

NOMBRE DE LA PIEZA	CANTIDAD
Orilladora	1
Perno para el eje de fijación	1
Protector (con dos tornillos preensamblados en el protector)	1
Ensamblaje del mango delantero de ajuste rápido	1
Llave hexagonal	1
Línea de corte de color dual (AL2420PD)	1
Bucle para la bandolera	1
Manual del operador	1

DESCRIPCIÓN

CONOZCA SU ORILLADORA (Fig. 1)

El uso seguro de este producto requiere la comprensión de la información impresa en la herramienta y en el Manual del usuario, así como ciertos conocimientos sobre el proyecto a realizar. Antes de usar este producto, familiarícese con todas las características operativas y reglas de seguridad.



⚠ ADVERTENCIA: nunca opere la herramienta si la protección no está bien colocada en su lugar. La protección debe estar siempre en la herramienta para proteger al usuario.

MANGO DELANTERO DE AJUSTE RÁPIDO

Para controlar fácilmente la orilladora durante la operación de corte.

MANGO TRASERO

El mango ergonómico con sobremoldura mejora la comodidad y el agarre.

VELOCIDAD VARIABLE

Enciende y apaga la orilladora de hilo.

INTERRUPTOR DE FIJACIÓN EN APAGADO

Ayuda a prevenir la activación accidental del gatillo. Se debe presionar antes que se pueda activar el gatillo del interruptor.

BUCLE PARA LA BANDOLERA

Para instalar la bandolera.

INTERRUPTOR DE 2 VELOCIDADES

Cambia entre los intervalos de velocidad de corte alta y baja para realizar diferentes tareas, según sea necesario.

INDICADOR DE VELOCIDAD

Muestra la velocidad de corte actual.

PROTECTOR

Reduce el riesgo de lesiones causadas por objetos extraños que sean lanzados hacia atrás, hacia el operador, y por el contacto con el aditamento de corte.

HOJA DE CORTE DEL HILO

Hoja de acero ubicada en el protector que mantiene el hilo de corte a la altura adecuada.

ABRAZADERA DE FIJACIÓN DE LA ALTURA

El mango se puede ajustar rápidamente para acomodar cualquier tamaño de persona, lo cual ayuda a garantizar una altura de trabajo ideal y cómoda.

CABEZAL DE LA ORILLADORA (con AVANCE DEL HILO LINE-IQ)

Almacena el hilo de corte; libera automáticamente el hilo de corte cuando un extremo de dicho hilo se desgasta hasta ser demasiado corto.

BOTÓN POWERLOAD™

Se utiliza para enrollar automáticamente el hilo de corte en el cabezal de la orilladora.

BISAGRA

Conecta y fija los dos ejes plegables.

BOTÓN DE LIBERACIÓN DE LA BATERÍA

Libera el paquete de batería de la herramienta.

PESTILLO

Fija el paquete de batería a la herramienta.

MECANISMO DE EYECCIÓN

Ayuda a retirar la batería

ENSAMBLAJE

⚠ ADVERTENCIA: Si hay piezas dañadas o faltan piezas, no utilice el producto hasta que las reemplace. Usar este producto con piezas dañadas o faltantes podría provocar lesiones personales graves.

⚠ ADVERTENCIA: No intente modificar este producto ni crear accesorios que no sean recomendados para utilizar con este producto. Cualquier alteración o modificación se considera un uso inapropiado y podría generar una condición peligrosa y provocar lesiones personales graves.

⚠ ADVERTENCIA: Siempre use guantes para trabajo pesado cuando instale o retire la cuchilla o cuando lleve a cabo el mantenimiento de la cuchilla. Tenga cuidado con la cuchilla y proteja sus manos para evitar que se produzcan lesiones.

⚠ ADVERTENCIA: Para evitar un arranque accidental, que puede causar lesiones graves personales, siempre retire el enchufe de la herramienta cuando no esté en uso o cuando esté ensamblando las piezas, realizando ajustes o limpiándola.

RETIRO DEL EMPAQUE

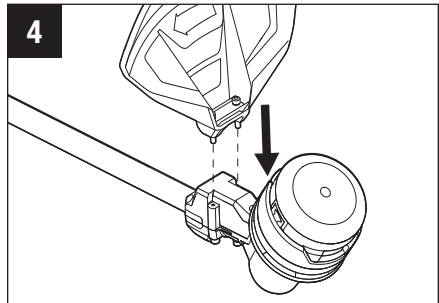
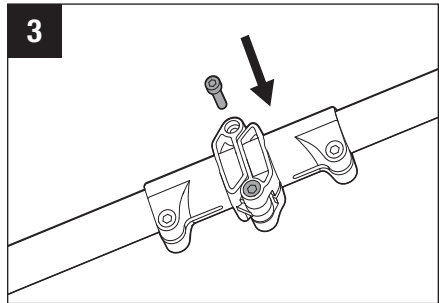
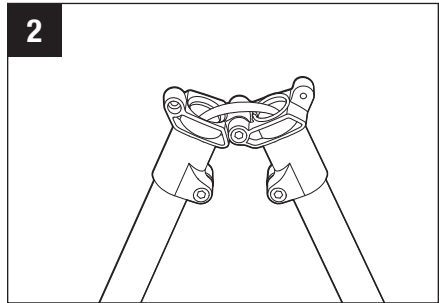
- Este producto requiere de ensamblado.
- Retire el producto y los accesorios de la caja cuidadosamente. Asegúrese de que todos los elementos que aparecen en la lista de empaque estén incluidos.
- Inspeccione cuidadosamente la herramienta para asegurarse de que no se produjo ninguna ruptura o daño durante su envío.
- No deseche el material de embalaje hasta que haya inspeccionado cuidadosamente y utilizado satisfactoriamente la herramienta.
- Si hay piezas faltantes o dañadas, devuelva este producto al lugar donde lo compró.

DESPLIEGUE DEL EJE

⚠ ADVERTENCIA: Para evitar pellizcarse las manos o los dedos, no agarre el eje en la junta.

⚠ ADVERTENCIA: No intente arrancar la orilladora hasta que el eje haya quedado fijo.

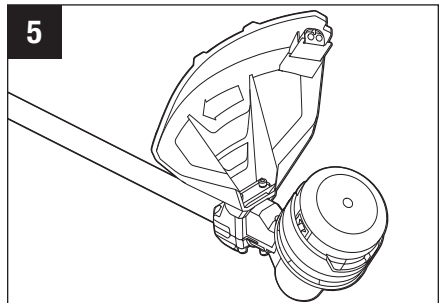
1. Retire el paquete de batería de la orilladora.
2. Ponga la orilladora en el terreno o el piso y asegúrese de que el cable esté dentro del eje, para que no resulte aplastado al cerrar la bisagra. Despliegue cuidadosamente el eje hasta que los dos agujeros ubicados en la bisagra estén alineados con precisión (Fig. 2).
3. Inserte el perno (suministrado) y apriételo con la llave hexagonal suministrada para fijar el eje en la posición correcta (Fig. 3).



MONTAJE DE LA PROTECCIÓN

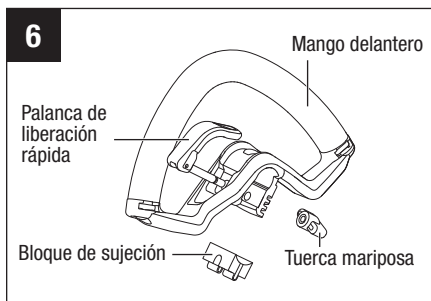
⚠ ADVERTENCIA: siempre use guantes al montar o reemplazar la protección. Tenga cuidado con la cuchilla junto a la protección y protéjase las manos, ya que podría sufrir cortes.

1. Retire el paquete de batería de la orilladora.
2. Acueste la orilladora en el terreno o el piso con el cabezal de la orilladora orientado hacia arriba.
3. Alinee los dos tornillos, que están preensamblados en el protector, con los dos agujeros para tornillo ubicados en el eje (Fig. 4), y luego apriételos con el destornillador (Fig. 5).



MONTAJE Y AJUSTE DEL MANGO DELANTERO

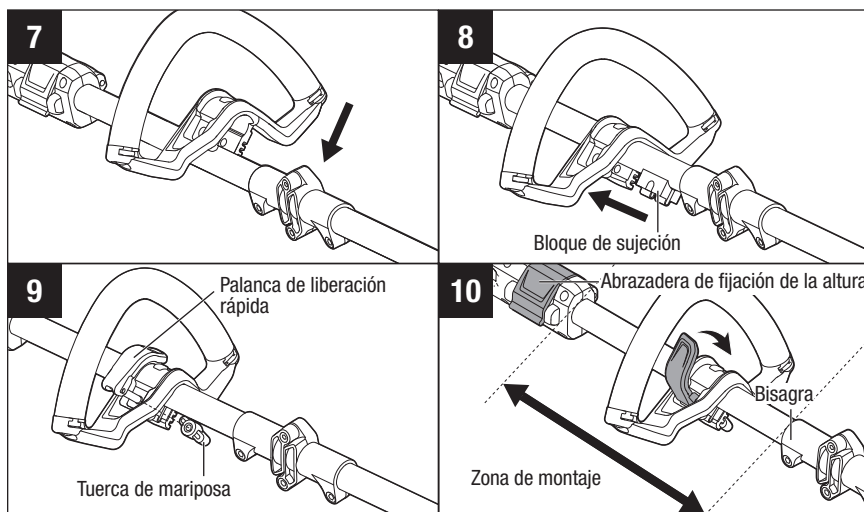
1. Afloje la palanca del poste de fijación y la tuerca de mariposa y retírelas del mango en bucle (Fig. 6).
2. Presione el mango en bucle sobre el eje entre el collarín de fijación de la altura y la bisagra (Fig. 7).
3. Inserte el bloque de sujeción en la ranura del mango (Fig. 8).
4. Monte la palanca del poste de fijación y preapriete la tuerca de mariposa. Asegúrese de que el mango en bucle esté posicionado hacia arriba y que apunte hacia la parte superior del mango trasero (Fig. 9).
5. Jale hacia arriba la palanca de liberación rápida para mover/rotar el mango delantero hasta una posición de utilización cómoda (Fig. 10).



AVISO: El mango delantero se deberá posicionar sobre el eje solo dentro de la zona de montaje (Fig. 10).

6. Acople la palanca de liberación rápida para fijar el mango delantero en la posición correcta.

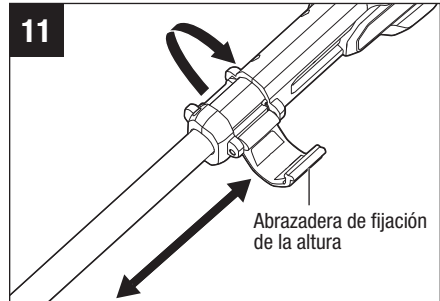
⚠ ADVERTENCIA: La herramienta no se puede utilizar sin el mango en bucle firmemente instalado.



AJUSTE DE LA ALTURA DE LA ORILLADORA

Si la longitud del eje no es adecuada para la operación, usted puede ajustar dicha longitud con la abrazadera de fijación de la altura.

1. Retire el paquete de batería de la orilladora.
2. Para ajustar la altura de la orilladora, abra la abrazadera de fijación de la altura y luego deslice el eje hacia arriba o hacia abajo hasta la longitud deseada, y fíjelo en la posición correcta presionando la abrazadera de fijación de la altura (Fig. 11).

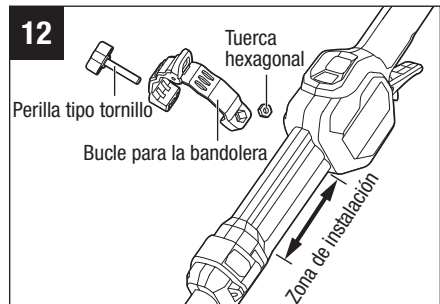


AVISO: Es posible que sea necesario repositonar el mango delantero después de cambiar la altura de la orilladora.

INSTALACIÓN DE LA BANDOLERA VENDE POR SEPARADO (NÚM. DE MODELO AP1500)

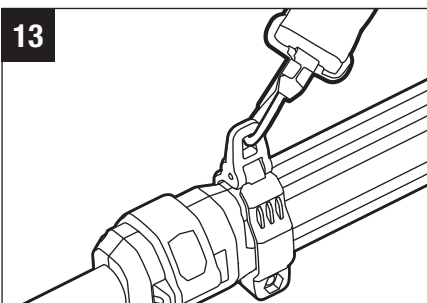
Para realizar un utilización segura y mejor, jale la bandolera sobre uno de sus hombros y de manera que cruce la espalda.

1. Afloje la perilla tipo tornillo y la tuerca hexagonal del bucle para la bandolera.
2. Instale el bucle para la bandolera sobre el eje dentro de la zona de instalación (Fig. 12).
3. Apriete la perilla tipo tornillo y la tuerca hexagonal.



4. Presione el mosquetón de la correa para el hombro para abrirlo y sujete la correa para el hombro al lazo de la correa (Fig.13).
5. Ajuste la longitud y la colocación de la bandolera en una posición de utilización cómoda. Agarre la orilladora con las dos manos: una mano sobre el mango trasero y la otra mano sobre el mango delantero (Fig. 14).

ADVERTENCIA: Cuando se produzca una emergencia, quítese inmediatamente la bandolera del hombro, sin importar la manera en que esté colocada.



FUNCIONAMIENTO

⚠ ADVERTENCIA: No permita que familiarizarse con este producto lo vuelva imprudente. Recuerde que un descuido de una fracción de segundo es suficiente para ocasionar lesiones graves.

⚠ ADVERTENCIA: Use siempre lentes de protección que cumplan con la norma ANSI Z87.1. De lo contrario, podría provocar que se disparen objetos hacia sus ojos y otras posibles lesiones graves.

⚠ ADVERTENCIA: No use ningún aditamento ni accesorio que no haya sido recomendado por el fabricante de este producto. El uso de aditamentos o accesorios diferentes a los recomendados podría provocar lesiones graves.

⚠ ADVERTENCIA: Para evitar lesiones personales graves, retire el enchufe de la herramienta antes de hacer el mantenimiento, limpiar, cambiar accesorios o quitar material de la unidad.

APLICACIONES

Puede usar este producto para los fines que se indican a continuación.

- Cortar el césped y malezas que rodeen porches, cercas y terrazas.
- Cortar el césped de difícil acceso para una podadora normal.

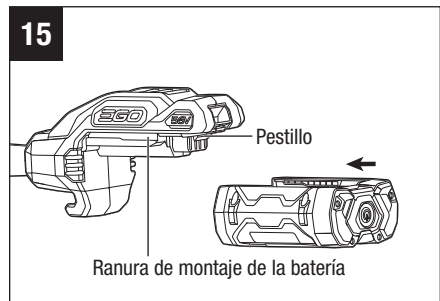
PARA INSTALAR/DESINSTALAR EL PAQUETE DE BATERÍA

⚠ ADVERTENCIA: Retire siempre el paquete de batería del producto antes de ensamblar piezas, hacer ajustes, realizar limpieza o cuando no se esté utilizando. La retirada del paquete de batería prevendrá los arranques accidentales que podrían causar lesiones corporales graves.

NOTA: Cargue completamente el paquete de baterías antes de usar por primera vez.

Para instalar el paquete de batería (Fig. 15)

1. Alinee las costillas de la batería con las ranuras de montaje de la batería en el cortabordes.

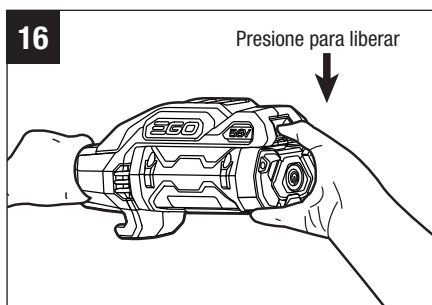


2. Deslice la batería hasta que encaje en su posición.

NOTA: Asegúrese de que el pestillo de la orilladora de hilo se acople a presión en la posición correcta y que el paquete de batería esté firmemente sujeto a la herramienta antes de comenzar a utilizarla.

Para desinstalar el paquete de batería (Fig. 16)

⚠ ADVERTENCIA: Conozca siempre la ubicación de sus pies, los niños o los animales domésticos que estén alrededor de usted cuando presione el botón de liberación de la batería. No retire NUNCA el paquete de batería en una posición en alto. Podrían ocurrir lesiones graves si el paquete de batería se cae.



1. Sostenga el paquete de batería en la palma de la mano.
2. Presione el botón de liberación de la batería con el dedo pulgar; el paquete de batería se desacoplará del pestillo.
3. Agarre el paquete de batería y retírelo de la orilladora de hilo.

Antes de cada uso, compruebe si hay piezas dañadas/desgastadas

Compruebe el cabezal de la orilladora, el protector y el mango en bucle, y reemplace todas las piezas que estén agrietadas, arqueadas, dobladas o dañadas de alguna manera.

La hoja de corte del hilo ubicada en el borde del protector se puede desafilarse con el tiempo. Se recomienda afilarla periódicamente con una lima o reemplazarla por una nueva.

⚠ ADVERTENCIA: Use siempre guantes cuando monte o reemplace el protector, o cuando afile o reemplace la hoja. Fíjese en la ubicación de la hoja en el protector y protéjase la mano contra lesiones.

Limpie la orilladora después de cada uso

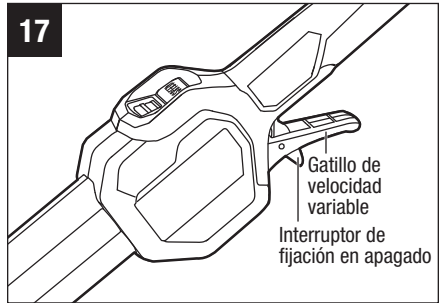
Consulte la sección Mantenimiento para obtener instrucciones de limpieza.

⚠ ADVERTENCIA: No use nunca agua para limpiar su orilladora. Evite utilizar solventes cuando limpie piezas de plástico. La mayoría de los plásticos son susceptibles de sufrir daños causados por diversos tipos de solventes comerciales. Use paños limpios para eliminar la suciedad, el polvo, el aceite, la grasa, etc.

ARRANQUE/PARADA DE LA ORILLADORA DE HILO

Para arrancar

1. Mueva hacia delante el interruptor de fijación en apagado y luego presione el gatillo de velocidad variable. La orilladora de hilo se pondrá en marcha.
2. La velocidad rotacional del cabezal de la orilladora se controla con el gatillo de velocidad variable. Más presión sobre el gatillo produce una velocidad más alta; menos presión sobre el gatillo produce una velocidad más baja. Ajuste la velocidad para adaptarla a la tarea que se esté realizando (Fig. 17).



AVISO: El motor arranca solo al mover hacia delante el interruptor de fijación en apagado y presionar al mismo tiempo el gatillo de velocidad variable.

Para detener la orilladora de hilo

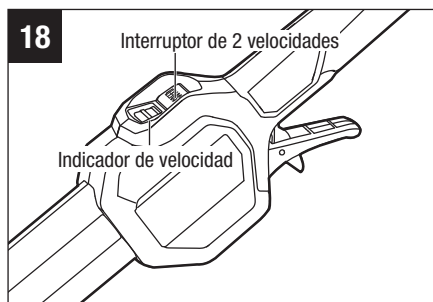
Mueva la orilladora de hilo alejándola del área de corte y libere el gatillo de velocidad variable para detener la herramienta.

⚠ ADVERTENCIA: Retire siempre el paquete de batería de la orilladora de hilo durante las pausas de descanso del trabajo y después de acabar el trabajo.

Función de ajuste de la velocidad (Fig. 18)

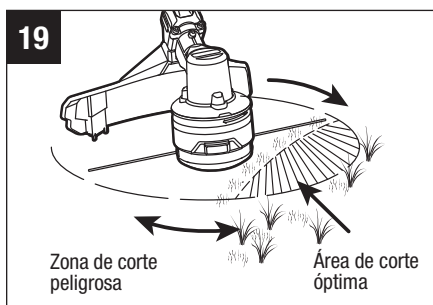
La orilladora de hilo tiene dos ajustes de velocidad. Presione el interruptor de 2 velocidades para cambiar la velocidad de corte entre baja y alta.

El indicador de velocidad mostrará el estado de velocidad activo: una luz para velocidad baja y dos velocidades para velocidad alta. El intervalo de velocidad baja proporciona un mejor control de la orilladora y un tiempo de funcionamiento más prolongado por carga.



CONSEJOS PARA UN ORILLADO ÓPTIMO (Fig. 19)

- El ángulo correcto para el aditamento de corte es paralelo al terreno.
- No fuerce la orilladora. Deje que el extremo de la punta del hilo haga el corte (especialmente a lo largo de las paredes). Si se corta con más parte del hilo que su punta, se reducirá la eficacia de corte y es posible que se sobrecargue el motor.
- La altura de corte se determina por la distancia del hilo de corte a la superficie del césped.
- El pasto de más de 8 pulgadas (200 mm) se deberá cortar trabajando progresivamente desde la parte de arriba hacia la parte de abajo en pequeños incrementos para evitar un desgaste prematuro del hilo o arrastre del motor.
- Mueva lentamente la orilladora hacia dentro y hacia fuera del área que se esté cortando, manteniendo la posición del cabezal de corte a la altura de corte deseada. Este movimiento puede ser hacia delante y hacia detrás o de un lado a otro. El corte de longitudes más cortas produce los mejores resultados.
- Orille solo cuando el pasto y la maleza estén secos.

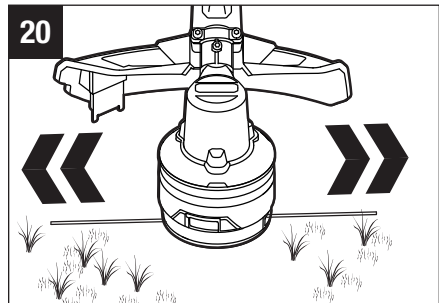


- Las cercas de alambre y de estacas puntiagudas pueden causar desgaste adicional o rotura del hilo. Es posible que las paredes de piedra y ladrillo, las orillas de acera y la madera desgasten rápidamente los hilos.
- Evite los árboles y los setos. La corteza de árbol, las molduras de madera, los paneles laterales y los postes de cercas pueden ser dañados fácilmente por los hilos.

AJUSTE DE LA LONGITUD DEL HILO DE CORTE

El cabezal de la orilladora con avance del hilo Line-IQ está equipado con tecnología avanzada.

Si cualquiera de los dos extremos del hilo se desgasta menos de 7 pulgadas (18 cm) durante la operación de orillado, el cabezal de la orilladora liberará automáticamente el hilo de corte y la hoja de corte del hilo cortará la parte extra de dicho hilo (Fig. 20).



AVISO: No es necesario golpear suavemente el cabezal de la orilladora para liberar el hilo de corte. Si nota un ligero temblor del cabezal de la orilladora al recortar el pasto, dicho temblor se debe a que el hilo de corte está siendo liberado automáticamente.

⚠ ADVERTENCIA: No retire ni altere el ensamblaje de la hoja de corte del hilo. Una longitud excesiva del hilo hará que el motor se sobrecaliente y es posible que cause lesiones corporales graves.

REEMPLAZO DEL HILO

⚠ ADVERTENCIA: No utilice nunca hilo, cable o cuerda, etc., que estén reforzados con metal. Estos elementos pueden romperse y convertirse en proyectiles peligrosos.

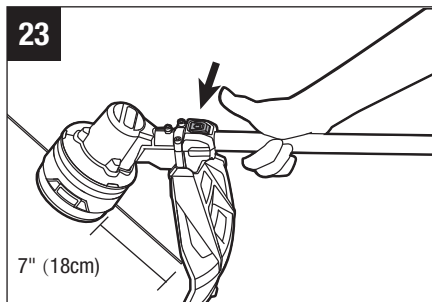
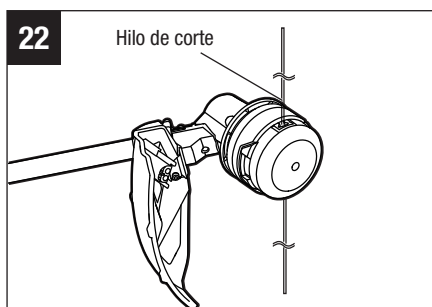
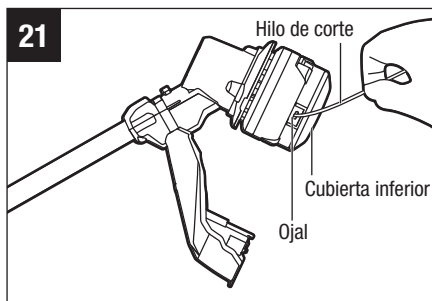
⚠ ADVERTENCIA: Utilice siempre el hilo de corte de nylon recomendado con un diámetro que no exceda 0,095 pulgadas. (2,4 mm). Es posible que el uso de un hilo que no sea el especificado haga que la herramienta se sobrecaliente o resulte dañada.

La orilladora de hilo está equipada con un avanzado sistema POWERLOADTM. El hilo de corte se puede enrollar en la bobina simplemente presionando un solo botón. El proceso de carga de una bobina completa se puede completar generalmente en 12 segundos. **Evite la utilización repetida del sistema de enrollado en sucesión rápida para reducir la posibilidad de daños al motor.**

1. Retire el paquete de batería de la orilladora.
2. Corte un pedazo de hilo de corte de 14 pies (4 m) de longitud.
3. Inserte el hilo en el ojal (Fig. 21) y empuje el hilo hasta que el extremo salga por el ojal opuesto.

AVISO: No es necesario alinear los ojales para insertar el hilo de corte. Si el hilo no se puede insertar en el ojal, monte el paquete de batería en la orilladora y luego presione brevemente el botón POWERLOAD para restablecer el mecanismo de enrollado.

4. Retire la batería si se ha montado en la orilladora en el paso 3.
5. Jale el hilo desde el otro lado hasta que aparezcan longitudes iguales del mismo a ambos lados del cabezal de la orilladora (Fig. 22).
6. Instale el paquete de batería en la orilladora de hilo.
7. Presione y mantenga presionado el botón de carga del hilo para arrancar el motor de enrollado del hilo. El hilo se enrollará continuamente en el cabezal de la orilladora (Fig. 23).



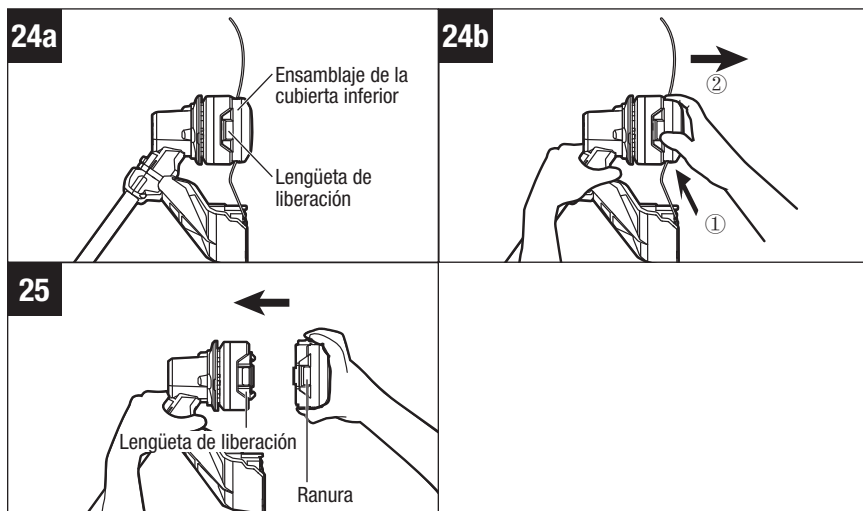
8. Observe detenidamente la longitud de hilo restante. Prepárese para soltar el botón en cuanto queden aproximadamente 8,5 pulgadas (22 cm) de hilo a cada lado. Presione brevemente el botón de carga del hilo para ajustar la longitud hasta que se vean 7 pulgadas (18 cm) de hilo a cada lado.

AVISO: En el caso de que el hilo sea jalado hacia el interior del cabezal de la orilladora por accidente, abra el cabezal y jale el hilo de corte para sacarlo de la bobina. Siga la sección “**RECARGUE EL HILO DE CORTE**” de este manual para recargar el hilo.

RECARGUE EL HILO DE CORTE

AVISO: Cuando el hilo de corte se rompa y se separe del ojal o cuando el hilo de corte no se libere al golpear suavemente el cabezal de la orilladora, será necesario retirar el hilo de corte restante del cabezal de la orilladora y seguir los pasos que se indican a continuación para recargar el hilo.

1. Retire el paquete de batería de la orilladora.
2. Presione las lengüetas de liberación ubicadas en el cabezal de la orilladora y retire el ensamblaje de la cubierta inferior del cabezal de la orilladora jalándolo directamente hacia fuera (Fig. 24a y 24b).
3. Retire el hilo de corte del cabezal de la orilladora.
4. Mientras sujeta la orilladora con una mano, utilice la otra mano para agarrar el ensamblaje de la cubierta inferior y alinear las ranuras ubicadas en el ensamblaje de la cubierta inferior con las lengüetas de liberación. Presione el ensamblaje de la cubierta inferior hasta que se acople a presión en la posición correcta, en cuyo momento oírá un sonido de clic inconfundible (Fig. 25).
5. Siga las instrucciones de la sección “**REEMPLAZO DEL HILO**” para recargar el hilo de corte.



MANTENIMIENTO

⚠ ADVERTENCIA: Cuando haga servicio de ajustes y reparaciones, utilice únicamente piezas de repuesto idénticas. Es posible que cualquier otra pieza cree un peligro o cause daños al producto. Para garantizar la seguridad y la confiabilidad, todas las reparaciones deberán ser realizadas por un técnico de servicio calificado.

⚠ ADVERTENCIA: Las herramientas a batería no tienen que enchufarse en un tomacorriente; por lo tanto, siempre están en condiciones de funcionamiento. Para prevenir lesiones corporales graves, tome precauciones adicionales y tenga cuidado adicional cuando realice mantenimiento o servicio de ajustes y reparaciones, o para cambiar el aditamento de corte u otros aditamentos.

⚠ ADVERTENCIA: Para prevenir lesiones corporales graves, retire el paquete de batería de la herramienta antes de hacer servicio de ajustes y reparaciones, realizar limpieza o retirar material de la unidad.

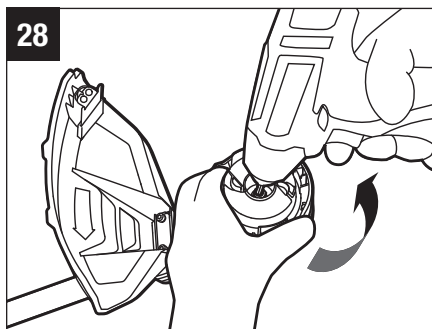
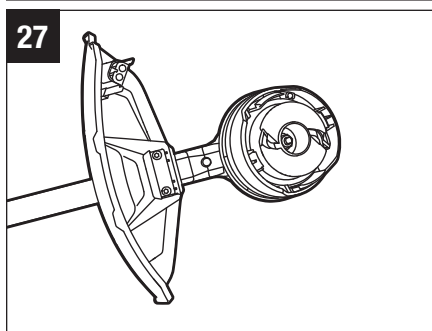
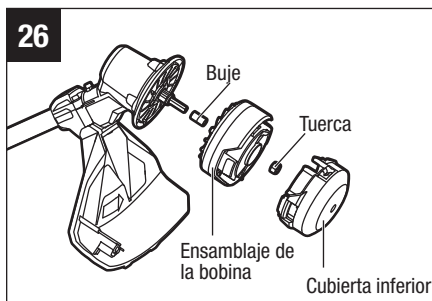
Todo el servicio de ajustes y reparaciones de la orilladora de hilo, que no sea de los artículos indicados en estas instrucciones de mantenimiento, deberá ser realizado por personal competente de servicio de orilladoras de hilo.

REEMPLAZO DEL CABEZAL DE LA ORILLADORA

⚠ ADVERTENCIA: Si el cabezal se afloja después de fijarlo en la posición correcta, reemplácelo de inmediato. No utilice nunca una orilladora con un aditamento de corte flojo. Reemplace de inmediato un cabezal de corte agrietado, dañado o desgastado, incluso si los daños están limitados a grietas superficiales. Es posible que los aditamentos que estén en esas condiciones se rompan en pedazos a alta velocidad y causen lesiones graves.

RETIRE EL CABEZAL DE LA ORILLADORA

1. Retire el enchufe de alimentación de la orilladora de hilo.
2. Presione las lengüetas de liberación ubicadas en el cabezal de la orilladora y retire el ensamblaje de la cubierta inferior del cabezal de la orilladora jalándolo directamente hacia fuera (vea la Fig. 24a y 24b).
3. Retire el hilo de corte del cabezal de la orilladora (Fig. 27).
4. Use guantes. Use una mano para agarrar el ensamblaje de la bobina con el fin de estabilizarlo y use la otra mano para agarrar la llave de impacto (no incluida) para aflojar la tuerca en sentido contrario al de las agujas del reloj (Fig. 28).
5. Retire el ensamblaje de la bobina y el buje del eje del motor (Fig. 26). Guarde el buje para realizar el montaje más tarde.
6. Reemplace el cabezal de la orilladora por un cabezal nuevo y móntelo siguiendo los pasos que se indican a continuación.



Instale el cabezal de la orilladora nuevo

1. Monte el buje en el eje del motor y monte el ensamblaje de la bobina en la posición correcta. Utilice una llave de impacto para apretar la tuerca (Fig. 26).

2. Mientras sujeta la orilladora con una mano, utilice la otra mano para agarrar el ensamblaje de la cubierta inferior y alinear las ranuras ubicadas en el ensamblaje de la cubierta inferior con las lengüetas de liberación. Presione el ensamblaje de la cubierta inferior hasta que se acople a presión en la posición correcta, en cuyo momento oírá un sonido de clic inconfundible (Fig. 25).
3. Siga las instrucciones de la sección **“REEMPLAZO DEL HILO”** de este manual para recargar el hilo de corte.
4. Arranque la herramienta para ver si la orilladora de hilo funciona con normalidad. Si no es así, vuelva a ensamblar siguiendo los pasos descritos anteriormente.

LIMPIE LA UNIDAD

- Retire la batería.
- Retire todo pasto que se pueda haber enrollado alrededor del eje del motor o del cabezal de la orilladora.
- Utilice un cepillo pequeño o la descarga de aire de un cepillo de aspiradora pequeño para limpiar las aberturas de ventilación de la carcasa trasera.
- Mantenga las aberturas de ventilación libres de obstrucciones.
- Limpie la unidad utilizando un paño húmedo con un detergente suave.
- No utilice detergentes fuertes en la carcasa de plástico ni en el mango. Tanto la carcasa como el mango pueden resultar dañados por ciertos aceites aromáticos, tales como los de pino y limón, y por solventes tales como el queroseno. La humedad también puede causar un peligro de descargas eléctricas. Si hay humedad, elimínela con un paño suave y seco.

AFILADO DE LA CUCHILLA DE CORTE LINEAL

⚠ ADVERTENCIA: siempre proteja las manos con guantes para trabajo pesado cuando realice el mantenimiento de la cuchilla del hilo de corte.

1. Retire el paquete de batería de la orilladora.
2. Retire del protector la hoja de corte del hilo.
3. Sujete firmemente la hoja en una prensa de tornillo.
4. Use protección adecuada de los ojos y guantes adecuados, y tenga cuidado de no cortarse.

5. Lime cuidadosamente los bordes de corte de la hoja con una lima de dientes finos o una piedra de afilar, manteniendo el ángulo original del borde de corte.
6. Reemplace la hoja en el protector y fíjela en la posición correcta con los dos tornillos.

TRANSPORTE Y ALMACENAMIENTO

- Retire el paquete de batería de la orilladora.
- Limpie minuciosamente la herramienta antes de almacenarla.
- Almacene la unidad en una área seca y bien ventilada, cerrada con llave o en un lugar elevado, fuera del alcance de los niños. No almacene la unidad sobre ni adyacente a fertilizantes, gasolina u otras sustancias químicas.
- Mantenga la unidad alejada de los agentes corrosivos, tales como sustancias químicas de jardín y sales anticongelantes.

SOLUCIÓN DE PROBLEMAS

PROBLEMA	CAUSA	SOLUCIÓN
La orilladora de hilo no arranca.	<ul style="list-style-type: none"> ■ El paquete de batería no está instalado en la orilladora. ■ No hay contacto eléctrico entre la orilladora y el paquete de batería. ■ El paquete de batería está agotado. ■ No se está moviendo hacia delante el interruptor de fijación en apagado antes de presionar el gatillo de velocidad variable. ■ El eje del motor o el cabezal de la orilladora están atorados con pasto. 	<ul style="list-style-type: none"> ■ Instale el paquete de batería en la orilladora. ■ Retire la batería, compruebe los contactos y reinstale el paquete de batería. ■ Cargue el paquete de batería. ■ Mueva hacia delante el interruptor de fijación en apagado y luego presione el gatillo de velocidad variable. ■ Retire el pasto del eje del motor y el cabezal de la orilladora.
La orilladora de hilo se para mientras se está cortando.	<ul style="list-style-type: none"> ■ El protector no está montado en la orilladora, lo cual hace que el hilo de corte sea excesivamente largo y causa sobrecarga del motor. ■ Se utiliza un hilo de corte grueso. ■ El paquete de batería o la orilladora de hilo está demasiado caliente. ■ El paquete de batería está desconectado de la herramienta. ■ El paquete de batería está agotado. 	<ul style="list-style-type: none"> ■ Retire el paquete de batería y monte el protector en la orilladora. ■ Utilice el hilo de corte de nylon recomendado con un diámetro no mayor de 0,095 pulgadas (2,4 mm). ■ Enfíe la batería o la orilladora de hilo. ■ Reinstale el paquete de batería. ■ Cargue el paquete de batería.

PROBLEMA	CAUSA	SOLUCIÓN
<p>El cabezal de la orilladora no hace avanzar el hilo.</p>	<ul style="list-style-type: none"> ■ El eje del motor o el cabezal de la orilladora está atorado con pasto. ■ No hay suficiente hilo en la bobina o el hilo se rompe y se separa del ojal. ■ El hilo está enredado. ■ El hilo es demasiado corto. ■ Se está utilizando un hilo de corte grueso. ■ Malfuncionamiento del cabezal de la orilladora. 	<ul style="list-style-type: none"> ■ Detenga la orilladora, retire la batería y limpie el eje del motor y el cabezal de la orilladora. ■ Retire la batería y reemplace el hilo de corte siguiendo la sección “REEMPLAZO DEL HILO” de este manual. ■ Retire la batería; retire el hilo del cabezal de la orilladora y rebobínelo siguiendo la sección “RECARGUE EL HILO DE CORTE” de este manual. ■ Retire la batería y jale los hilos a la vez que presiona hacia abajo y suelta alternadamente el cabezal de la orilladora. ■ Utilice hilo de corte de nylon recomendado con un diámetro de 0,095 pulgadas (2,4 mm). ■ Llame a Servicio al Cliente de EGO para obtener ayuda.
<p>El pasto se enrolla alrededor del cabezal de la orilladora y de la carcasa del motor.</p>	<ul style="list-style-type: none"> ■ Se está cortando pasto alto a nivel del terreno. 	<ul style="list-style-type: none"> ■ Corte el pasto alto de arriba abajo, retirando no más de 8 pulgadas en cada pasada para evitar que se enrolle.
<p>La hoja no está cortando el hilo.</p>	<ul style="list-style-type: none"> ■ La hoja de corte del hilo ubicada en el borde del protector se ha desafilado. 	<ul style="list-style-type: none"> ■ Siga las instrucciones para afilar la hoja de corte del hilo con una lima o reemplace dicha hoja por una hoja nueva.
<p>Hay grietas en el cabezal de la orilladora o el retenedor de la bobina se afloja de la base de la bobina.</p>	<ul style="list-style-type: none"> ■ El cabezal de la orilladora está desgastado. 	<ul style="list-style-type: none"> ■ Reemplace de inmediato el cabezal de la orilladora siguiendo la sección “REEMPLAZO DEL CABEZAL DE LA ORILLADORA” de este manual.

PROBLEMA	CAUSA	SOLUCIÓN
<p>El hilo de corte no se puede enrollar correctamente en el cabezal de la orilladora.</p>	<ul style="list-style-type: none"> ■ Se está utilizando un hilo de corte incorrecto. ■ Se han acumulado residuos de pasto o suciedad en el cabezal de la orilladora y han bloqueado el movimiento de la bobina del hilo. ■ El motor está sobrecalentado debido a una utilización repetida del sistema de enrollado del hilo. ■ Capacidad baja de la batería ■ El hilo no está enrollado en el ensamblaje de la bobina. ■ Malfuncionamiento del cabezal de la orilladora. 	<ul style="list-style-type: none"> ■ Sugerimos que utilice hilo de corte de nylon original EGO, consulte la sección “Hilo de corte recomendado” de este manual. Si está utilizando hilo de nylon EGO y el problema persiste, sírvase llamar a servicio al cliente de EGO para obtener consejos. ■ Retire la batería, abra el cabezal de la orilladora y límpielo minuciosamente. ■ Deje que la orilladora de hilo funcione sin carga durante unos minutos para enfriar el motor y luego intente recargar el hilo. ■ Cargue la batería. ■ Jale el hilo hacia fuera y reinsértelo. ■ Llame a Servicio al Cliente de EGO para obtener ayuda.
<p>El hilo de corte no se puede pasar a través del cabezal de la orilladora al insertarlo.</p>	<ul style="list-style-type: none"> ■ El hilo de corte está dividido o doblado en el extremo. 	<ul style="list-style-type: none"> ■ Corte el extremo desgastado del hilo y reinsértelo.

GARANTÍA

POLÍTICA DE GARANTÍA

Garantía limitada de 5 años en equipos de energía para exteriores y energía portátil EGO POWER+ para uso doméstico personal.

Garantía limitada de 3 años en paquetes de batería y cargadores del Sistema EGO POWER+ para uso personal doméstico. Se aplica una garantía extendida adicional de 2 años para la batería de 10,0 Ah, tanto si se vende por separado (núm. de modelo BA5600T) como si se incluye con cualquier herramienta, si se registra dentro del plazo de 90 días después de su compra. Garantía limitada de 5 años en el cargador CHV1600, diseñado para utilizarse con la cortadora de césped con asiento con radio de giro cero para uso personal doméstico.

Garantía limitada de 2 años/1 año en equipos de energía para exteriores, energía portátil, paquetes de baterías y cargadores EGO para uso profesional y comercial.

Los períodos de garantía detallados por productos se pueden encontrar en línea en <http://egopowerplus.com/warranty-policy>.

Póngase en contacto con Servicio al Cliente de EGO de manera gratuita al 1-855-EGO-5656, cuando tenga preguntas o reclamaciones de garantía.

GARANTÍA LIMITADA DE SERVICIO

Los productos EGO están garantizados contra defectos de material o de fabricación a partir de la fecha de compra original al por menor durante el período de garantía aplicable. El producto defectuoso será reparado gratuitamente.

- a) Esta garantía se aplica solo al comprador original del distribuidor minorista autorizado de EGO y podría no ser transferible. Los distribuidores minoristas autorizados de EGO se identifican en línea, en <http://egopowerplus.com/warranty-policy>.
- b) El período de garantía para productos reacondicionados o certificados de fábrica que se utilizan para fines residenciales es de 1 año, para fines industriales, profesionales o comerciales es de 90 días.

- c) El período de garantía para las piezas de mantenimiento de rutina, tales como, pero sin limitarse a, asiento de cortadora de césped con asiento, ruedas, llantas, ruedas anticorte al ras, disco de freno, bloque de fricción, cuchillas, cabezales de orilladora, espadas de cadena, cadenas de sierra, correas, barras rascadoras, paletas de caucho, barrenas, zapatas antideslizantes, boquillas de soplador y todos los demás accesorios EGO, es de 90 días para fines residenciales y 30 días para fines industriales, profesionales o comerciales. Estas piezas están cubiertas durante 90/30 días contra defectos de fabricación en condiciones de trabajo normales.
- d) Esta garantía queda nula si el producto se ha puesto en alquiler.
- e) Esta garantía no cubre daños producto de modificaciones, alteraciones o reparaciones no autorizadas.
- f) Esta garantía solo cubre defectos que surjan del uso normal y no cubre el mal funcionamiento, las fallas ni los defectos que resulten del mal uso, el abuso (que incluye la sobrecarga del producto más allá de su capacidad y sumergirlo en agua o en cualquier otro líquido), accidentes, negligencia o falta de instalación adecuada y mantenimiento o almacenamiento inadecuados.
- g) Esta garantía no cubre el deterioro normal del acabado exterior, incluidos, entre otros, rayones, abolladuras, trozos de pintura o cualquier corrosión o decoloración producida por el calor o limpiadores químicos y abrasivos.

CÓMO OBTENER EL SERVICIO

Para obtener el servicio de garantía, póngase en contacto con Servicio al Cliente de EGO de manera gratuita al **1-855-EGO-5656**. Cuando pida un servicio cubierto por la garantía, debe presentar el recibo con la fecha original de venta. Un centro de servicio autorizado será seleccionado para reparar el producto de acuerdo con los términos establecidos en la garantía. Cuando lleve el producto al centro de servicio autorizado, es posible que deba hacer un pequeño depósito cuando deje la herramienta. Este depósito se reembolsará cuando se considere que el servicio de reparación se haya cubierto con la garantía.

LIMITACIONES ADICIONALES

En la medida en que la ley aplicable lo permita, se deniegan todas las garantías implícitas, inclusive las garantías de COMERCIALIZADIDAD o IDONEIDAD PARA UN PROPÓSITO ESPECÍFICO. Todas las garantías implícitas, inclusive las garantías de comerciabilidad o idoneidad para un propósito específico, que no se puedan denegar bajo la ley estatal, están limitadas al período de garantía aplicable definido al comienzo de este artículo.

Chervon North America no se hará responsable por daños directos, indirectos, accidentales o resultantes.

Algunos estados no permiten limitaciones con respecto a la duración de una garantía implícita y/o no permiten la exclusión o limitación de daños accidentales o resultantes, de modo que las limitaciones antes descritas podrían no aplicarse en su caso.

Esta garantía le otorga derechos legales específicos, pero podría tener también otros derechos que varían según el estado.

Para obtener el servicio al cliente, póngase en contacto con nosotros de manera gratuita al: **1-855-EGO-5656** o visite: **EGOPOWERPLUS.COM**

EGO Customer Service, 769 SEWARD AVE NW / Suite 102 Grand Rapids, MI 49504

