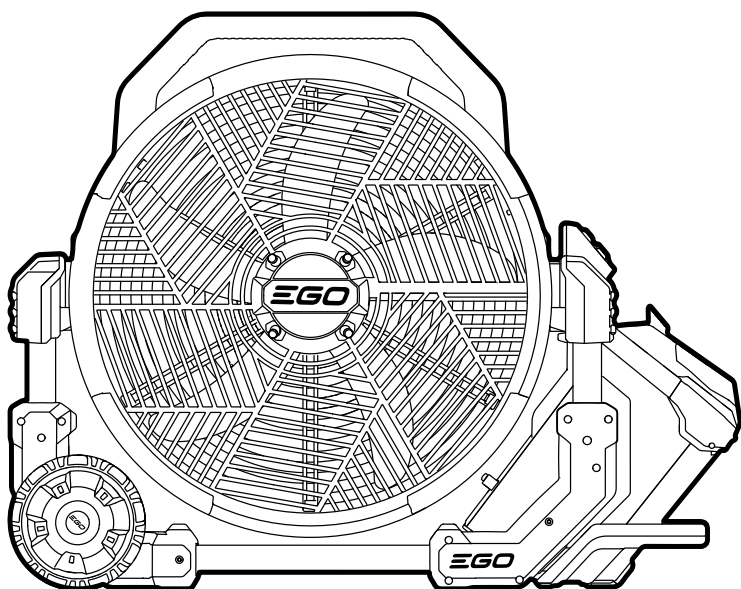


EGO™

POWER⁺ FAN



OPERATOR'S MANUAL

56-VOLT LITHIUM-ION CORDLESS MISTING FAN

MODEL NUMBER FN1800/FN1800-FC

Français p. 31

Español p. 61

⚠ WARNING: To reduce the risk of injury, the user must read and understand the Operator's Manual before using this product. Save these instructions for future reference.



TABLE OF CONTENTS

| | |
|---|-------|
| FCC Statement | 3 |
| Safety Guidelines | 4 |
| Important Safety Instructions | 5-10 |
| Introduction | 11 |
| Specifications | 11 |
| Packing List | 12 |
| Description | 13-15 |
| Assembly | 16-17 |
| Operation | 18-22 |
| Maintenance | 23-26 |
| Troubleshooting | 27 |
| Warranty | 28-29 |

FCC STATEMENT

1. This device complies with Part 15 of the FCC Rules. Operation is subject to the following two conditions:
 - 1) This device may not cause harmful interference.
 - 2) This device must accept any interference received, including interference that may cause undesired operation.
2. Changes or modifications not expressly approved by the party responsible for compliance could void the user's authority to operate the equipment.

NOTICE: This equipment has been tested and found to comply with the limits for a Class B digital device, pursuant to Part 15 of the FCC Rules. These limits are designed to provide reasonable protection against harmful interference in a residential installation. This equipment generates, uses, and can radiate radio frequency energy and, if not installed and used in accordance with the instructions, may cause harmful interference to radio communications. However, there is no guarantee that interference will not occur in a particular installation. If this equipment does cause harmful interference to radio or television reception, which can be determined by turning the equipment off and on, the user is encouraged to try to correct the interference by one or more of the following measures: Reorient or relocate the receiving antenna. Increase the separation between the equipment and receiver. Connect the equipment into an outlet on a circuit different from that to which the receiver is connected. Consult the dealer or an experienced radio/TV technician for help.

READ ALL INSTRUCTIONS!



READ & UNDERSTAND
OPERATOR'S MANUAL

SAFETY GUIDELINES

SAFETY SYMBOLS

The purpose of safety symbols is to attract your attention to possible dangers. The safety symbols and the explanations with them deserve your careful attention and understanding. The symbol warnings do not, by themselves, eliminate any danger. The instructions and warnings they give are no substitutes for proper accident prevention measures.

⚠ WARNING: Be sure to read and understand all safety instructions in this Operator's Manual, including all safety alert symbols such as "**DANGER**," "**WARNING**," and "**CAUTION**" before using this tool. Failure to following all instructions listed below may result in electric shock, fire, and/or serious personal injury.

DAMAGE PREVENTION AND INFORMATION MESSAGES



These inform the user of important information and/or instructions that could lead to equipment or other property damage if they are not followed. Each message is preceded by the word "NOTICE", as in the example below:

NOTICE: Equipment and/or property damage may result if these instructions are not followed.

IMPORTANT SAFETY INSTRUCTIONS

This page depicts and describes safety symbols that may appear on this product. Read, understand, and follow all instructions on the machine before attempting to assemble and operate.

| | | |
|--|-------------------------------------|---|
| | Safety Alert | Precautions that involve your safety |
| | Read & Understand Operator's Manual | To reduce the risk of injury, user must read and understand operator's manual before using this product. |
| | Chemical Burns | To reduce the risk of injury or damage, DO NOT USE ACIDS, ALKALIS, BLEACHES, SOLVENTS, FLAMMABLE MATERIAL, OR INDUSTRIAL GRADE SOLUTIONS in this product. |
| | Rain Condition | Do not expose to rain. |
| | Slippery Surface | Improper hose connections and/or leaks can result in a slip and fall hazard. |
| | Long Hair | Failure to keep long hair away from the air intake could result in personal injury. |
| | Fan Blades | Contact with moving fan blades can cause serious personal injury. |

| | | |
|---|----------------------------------|--|
|  | <p>Recycle Symbols</p> | <p>This product uses lithium-ion (Li-ion) batteries. Local, state, or federal laws may prohibit disposal of batteries in ordinary trash. Consult your local waste authority for information regarding available recycling and/or disposal options.</p> |
| <p>IPX4</p> | <p>Ingress Protection Degree</p> | <p>Protection from splashing water</p> |
|  | <p>Direct Current</p> | <p>Type or a characteristic of current</p> |
| <p>V</p> | <p>Volt</p> | <p>Voltage</p> |
| <p>cm</p> | <p>Centimeter</p> | <p>Length or size</p> |
| <p>in</p> | <p>inch</p> | <p>Length or size</p> |
| <p>km/h</p> | <p>Kilometers Per Hour</p> | <p>Speed</p> |
| <p>MPH</p> | <p>Miles Per Hour</p> | <p>Speed</p> |
| <p>CFM</p> | <p>Cubic Feet Per Minute</p> | <p>Air Volume</p> |
| <p>L/h</p> | <p>Liter Per Hour</p> | <p>Flow Rate</p> |
| <p>GPH</p> | <p>Gallons Per Hour</p> | <p>Flow Rate</p> |
| <p>°F</p> | <p>Fahrenheit</p> | <p>Temperature</p> |
| <p>°C</p> | <p>Celsius</p> | <p>Temperature</p> |
| <p>lb</p> | <p>Pound</p> | <p>Weight</p> |
| <p>kg</p> | <p>Kilogram</p> | <p>Weight</p> |

GENERAL SAFETY WARNINGS

When using an electrical appliance, basic precautions should always be followed, including the following:

READ ALL INSTRUCTIONS BEFORE USING THIS PRODUCT!

⚠ WARNING: To reduce risk of fire, electric shock, or injury:

- **Know your misting fan. Read the instruction manual carefully. Learn the fan's applications and limitations as well as the specific potential hazards related to this fan.** Following this rule will reduce the risk of electric shock, fire or serious injury.

WORK AREA SAFETY

- **Do not operate fan in explosive atmospheres, such as in the presence of flammable liquids, gases or dust.**
- **Keep children and bystanders away while operating an appliance.** Distractions can cause you to lose control.
- **Use caution when using in windy conditions. Winds may carry mists into electrical wiring or devices**
- **Do not expose appliance to rain or wet conditions.** Water entering an appliance will increase the risk of electric shock.

PERSONAL SAFETY

- **Stay alert, watch what you are doing and use common sense when operating appliance. Do not use the appliance while tired, upset, or under the influence of drugs, alcohol, or medication.** A moment of inattention while operating appliance may result in serious personal injury.
- **Prevent unintentional starting. Ensure the switch is in the off-position before connecting to battery pack, picking up or carrying the appliance.** Carrying appliance with your finger on the switch or energizing appliance that have the switch on invites accidents.
- **Remove any adjusting key or wrench before turning the appliance on.** A wrench or a key left attached to a rotating part of the appliance may result in personal injury.
- **Do not overreach. Keep proper footing and balance at all times.** This enables better control of the appliance in unexpected situations.

- **Dress properly. Do not wear loose clothing or jewelry. Keep your hair and clothing away from moving parts.** Loose clothes, jewelry or long hair can be caught in moving parts.
- **Verify that all connections are secure before operating the appliance.**
- **Do not let familiarity gained from frequent use of appliances allow you to become complacent and ignore the appliance safety principles.** A careless action can cause severe injury within a fraction of a second.

USE AND CARE

- **Do not use the appliance if the switch does not turn it on and off.** Any appliance that cannot be controlled with the switch is dangerous and must be repaired.
- **Disconnect the battery pack from the appliance before making any adjustments, changing accessories, or storing appliance.** Such preventive safety measures reduce the risk of starting the appliance accidentally.
- **Store idle appliance out of the reach of children and do not allow persons unfamiliar with the appliance or these instructions to operate the appliance.** Appliances are dangerous in the hands of untrained users.
- **Maintain appliance and accessories. Check for misalignment or binding of moving parts, breakage of parts and any other condition that may affect the appliance's operation. If damaged, have the appliance repaired before use.** Many accidents are caused by poorly maintained appliance.
- **Use the appliance and accessories etc. in accordance with these instructions, taking into account the working conditions and the work to be performed.** Use of the appliance for operations different from those intended could result in a hazardous situation.
- **Keep handles and grasping surfaces dry, clean and free from oil and grease.** Slippery handles and grasping surfaces do not allow for safe handling and control of the tool in unexpected situations.

⚠ WARNING: To reduce the risk of fire or electric shock, do not use this fan with any solid-state speed control device.

BATTERY TOOL USE AND CARE

- **Recharge only with the charger specified by the manufacturer.** A charger that is suitable for one type of battery pack may create a risk of fire when used with another battery pack.
- **Use appliance only with specifically designated battery packs.** Use of any other battery packs may create a risk of injury and fire.
- **Use only with battery packs and chargers listed below.**

| BATTERY PACK | CHARGER |
|--|---|
| BA1400, BA1400-FC, BA2800, BA2800-FC, BA4200, BA4200-FC, BA1400T, BA1400T-FC, BA2240T, BA2240T-FC, BA2242T, BA2242T-FC, BA2800T, BA2800T-FC, BA4200T, BA4200T-FC, BA5600T, BA5600T-FC, BA6720T, BA6720T-FC | CH2100, CH2100-FC, CH3200, CH3200-FC, CH5500, CH5500-FC, CH2800D, CH2800D-FC, CH7000, CH7000-FC |

- **When battery pack is not in use, keep it away from other metal objects, like paper clips, coins, keys, nails, screws or other small metal objects, that can make a connection from one terminal to another.** Shorting the battery terminals together may cause burns or a fire.
- **Under abusive conditions, liquid may be ejected from the battery; avoid contact. If contact accidentally occurs, flush with water. If liquid contacts eyes, additionally seek medical help.** Liquid ejected from the battery may cause irritation or burns.
- **Do not use a battery pack or appliance that is damaged or modified.** Damaged or modified batteries may exhibit unpredictable behavior resulting in fire, explosion or risk of injury.
- **Do not expose a battery pack or appliance to fire or excessive temperature.** Exposure to fire or temperature above 265°F (130°C) may cause explosion.
- **Follow all charging instructions and do not charge the battery pack or appliance outside the temperature range specified in the instructions.** Charging improperly or at temperatures outside the specified range may damage the battery and increase the risk of fire.

SERVICE

- **Have your appliance serviced by a qualified repair person using only identical replacement parts.** This will ensure that the safety of the appliance is maintained.
- **Never service damaged battery packs.** Service of battery packs should only be performed by the manufacturer or authorized service providers.

SAFETY INSTRUCTIONS FOR CORDLESS MISTING FAN

- **Do not allow the fan to be used as a toy.** Close attention is necessary when used by or near children.
- **Children can fall into buckets and drown.** Keep children away from buckets with even a small amount of liquid.
- **ONLY use clean, cold water.**
- **Do not use this misting fan to spray pesticides, liquid fertilizers, chemicals, or any liquids other than clean water. Spraying these substances could result in serious injury or illness to the operator or bystanders.**
- **Never direct mist or water toward any electrical wiring or devices.**
- **Ensure that the battery compartment cover is completely closed to prevent water from contacting battery or entering battery port.**
- **Keep the appliance and its handle dry, clean and free from oil and grease. Always use a clean cloth when cleaning. Never use brake fluids, gasoline, petroleum-based products, or any strong solvents to clean your fan.**
Following this rule will reduce the risk of loss of control and deterioration of the enclosure plastic.
- **Batteries can explode in the presence of a source of ignition, such as a pilot light. To reduce the risk of serious personal injury, never use any cordless product in the presence of open flame. An exploded battery can propel debris and chemicals.** If exposed, flush with water immediately.
- **Save these instructions.** Refer to them frequently and use them to instruct others who may use this fan. If you loan this fan to someone else, also loan these instructions to them to prevent misuse of the product and possible injury.

SAVE THESE INSTRUCTIONS!

INTRODUCTION


Congratulations on your selection of the new EGO 56V LITHIUM-ION MISTING FAN. It has been designed, engineered, and manufactured to give you the best possible dependability and performance.

Should you experience any problem you cannot easily remedy, please contact EGO customer service center 1-855-EGO-5656.

This manual contains important information on to the safe assembly, operation and maintenance of your product Read it carefully before using the product. Keep this manual handy so you can refer to it at any time.

SERIAL NUMBER _____ DATE OF PURCHASE _____
YOU SHOULD RECORD BOTH SERIAL NUMBER AND DATE OF PURCHASE AND KEEP THEM IN A SAFE PLACE FOR FUTURE REFERENCE

SPECIFICATIONS

| | |
|-----------------------------------|--|
| Voltage | 56 V  |
| Fan Blade Diameter | 18 in (45.7 cm) |
| Fan Speed Settings | 6 (including “Turbo”) |
| Max. Air Volume | 5000 CFM |
| Max. Air Speed | 23.5 MPH (37.8 km/h) |
| Misting Water Volume | I: 1.2 GPH (4.5 L/h) |
| | II: 3.0 GPH (11.4 L/h) |
| Recommended Operating Temperature | 50°F-104°F(10°C-40°C) |
| Recommended Storage Temperature | -4°F-158°F(-20°C-70°C) |
| Weight (without battery pack) | 22.9 lb. (10.4 kg) |

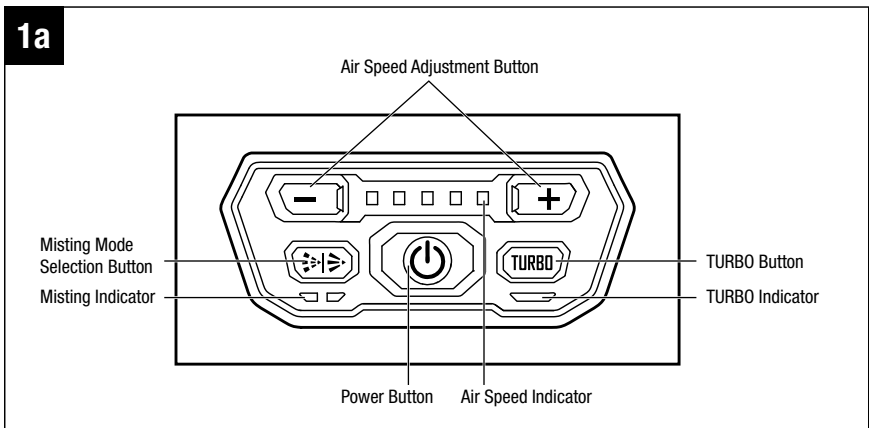
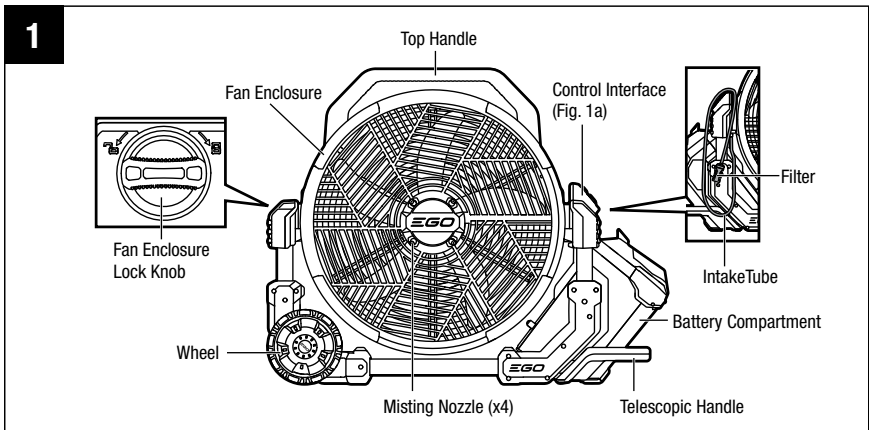
PACKING LIST

| PART NAME | | QUANTITY |
|---------------------|-------------------|----------|
| Misting Fan | | 1 |
| Wheel Assembly | Wheel | 2 |
| | Hubcap | 2 |
| | Screw with washer | 2 |
| Top Handle Assembly | Top Handle | 1 |
| | Screw with washer | 4 |
| Wrench | | 1 |
| Spare Nozzle | | 1 |
| Operator's manual | | 1 |

DESCRIPTION

KNOW YOUR FAN (Fig. 1 & Fig. 1a)

The safe use of this product requires an understanding of the information on the tool and in this instruction manual, as well as knowledge of the project you are attempting. Before use of this product, familiarize yourself with all operating features and safety rules.



TOP HANDLE

Use the top handle to lift the fan off the ground. Normally used for short-distance transport or when crossing rough terrain/surface.

TELESCOPIC HANDLE

Pull out the telescopic handle to roll the fan to the desired place easily. Normally used for long-distance transport.

WHEELS

The wheels are used to quickly roll the fan.

FAN ENCLOSURE

The adjustable fan enclosure can pivot forward up to 90° and backward up to 135°.

FAN ENCLOSURE LOCK KNOB

Locks the adjustable fan enclosure at a desired angle.

INTAKE TUBE

Provides water flow path for misting.

FILTER

Filters water before it flows into the intake tube for misting.

MISTING NOZZLES

Spray water mist.

BATTERY COMPARTMENT

Designed to protect the battery pack from water mist/drops.

POWER BUTTON

Turns the fan ON/OFF.

AIR SPEED ADJUSTMENT BUTTON

Allows the operator to select a comfortable air speed.

AIR SPEED INDICATOR

The number of green lights displays to the current air speed level.

TURBO BUTTON

When the button is pressed, the fan will switch into “TURBO” mode, i.e. the highest air speed.

TURBO INDICATOR

Displays green light when the fan runs at the highest air speed.

MISTING MODE SELECTION BUTTON

Press the button once, twice, or three times to make the fan running with continuous misting, with intermittent misting or without misting, respectively.

MISTING INDICATOR

Displays one green light, two green lights, or no light to indicate the fan running with continuous misting, with intermittent misting, or without misting, respectively.

ASSEMBLY

⚠ WARNING: If any parts are damaged or missing, do not operate this product until the parts are replaced. Use of this product with damaged or missing parts could result in serious personal injury.

⚠ WARNING: Do not attempt to modify this product or create accessories not recommended for use with this blower. Any such alteration or modification is misuse and could result in a hazardous condition leading to possible serious personal injury.

⚠ WARNING: Always remove the battery pack from the product when you are assembling parts, making adjustments, cleaning, or when the product is not in use. Removing the battery pack will prevent accidental starting that could cause serious personal injury.

UNPACKING

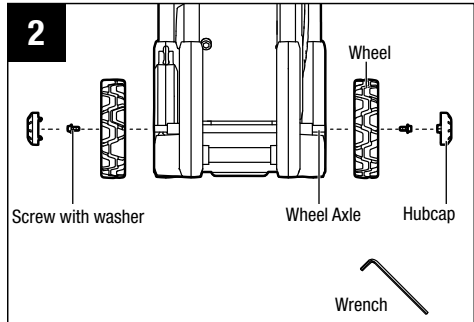
- This product requires assembly.
- Carefully remove the product and any accessories from the box. Make sure that all items listed in the packing list are included.

⚠ WARNING: Do not use this product if any parts on the packing list are already assembled to your product when you unpack it. Parts on this list are not assembled to the product by the manufacturer and require customer installation. Use of a product that may have been improperly assembled could result in serious personal injury.

- Inspect the tool carefully to make sure no breakage or damage occurred during shipping.
- Do not discard the packing material until you have carefully inspected and satisfactorily operated the tool.
- If any parts are damaged or missing, please return the product to the place of purchase.

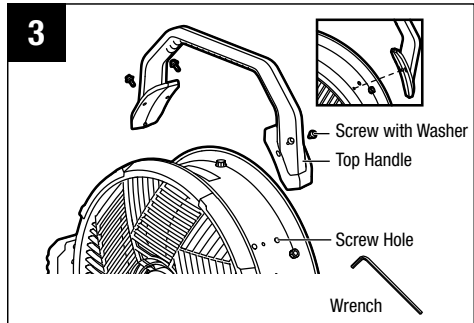
ASSEMBLING THE WHEELS (Fig. 2)

1. Align the hole of one of the wheels with the wheel axle of the fan, and mount the wheel onto the axle.
2. Thread one of the wheel screws through the hole of the wheel into the wheel axle, then tighten the screw with the supplied wrench.
3. Snap the hubcap onto the wheel.
4. Assemble the other wheel following above steps 1 – 3.



ATTACHING THE TOP HANDLE (Fig. 3)

1. Align four supplied screws with the holes in the top handle and the holes in the fan enclosure.
2. Insert the screws and then tighten them with the supplied wrench.



OPERATION

⚠ WARNING: Do not allow familiarity with this product to make you careless. Remember that a careless fraction of a second is sufficient to inflict serious injury.

⚠ WARNING: Do not use any attachments or accessories not recommended by the manufacturer of this product. The use of attachments or accessories not recommended can result in serious personal injury.

Before each use, inspect the entire product for damaged, missing, or loose parts, such as screws, nuts, bolts, caps, etc. Tighten securely all fasteners and caps and do not operate this product until all missing or damaged parts are replaced.

⚠ WARNING: Always remove the battery pack from the product when you are assembling parts, making adjustments, cleaning, or when it is not in use. Removing the battery pack will prevent accidental starting that could cause serious personal injury.

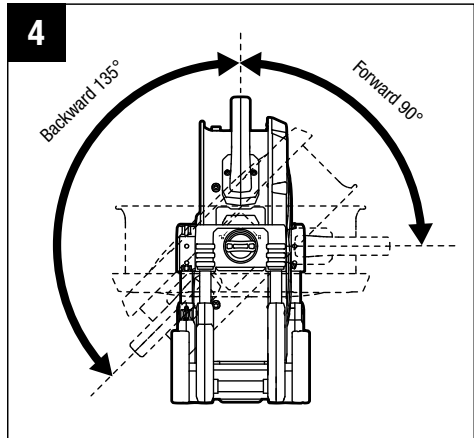
APPLICATION

You may use this product for the purposes listed below:

- General ventilation in most household applications
- Outdoor cooling while connected to a water source

ADJUSTING THE FAN ANGLE (FIG. 4)

1. Grasp the top handle to hold the fan enclosure.
2. Rotate the fan enclosure lock knob counterclockwise to loosen the adjustable fan enclosure.
3. Tilt the adjustable fan enclosure forward or backward to your desired angle. The fan can pivot up to 90° forward up to 135° backward.

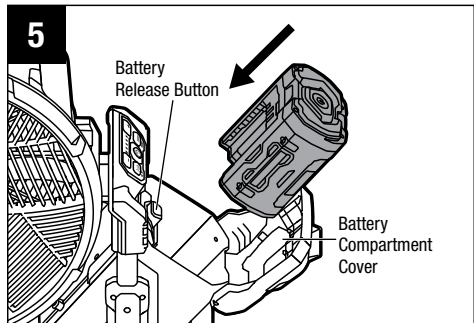


4. Rotate the lock knob clockwise to secure the fan enclosure at your desired angle.

TO INSTALL/REMOVE BATTERY PACK (FIG. 5)

CHARGE THE BATTERY PACK BEFORE FIRST USE

1. Pull the battery compartment cover to open it.
2. **To install the battery pack**, align the ribs of the battery pack with the mounting slots in the battery compartment, and then press the battery pack into the battery compartment until it snaps into position.



in the battery compartment until it snaps into position.

To detach the battery pack, press the battery-release button to release the battery pack, and then lift the battery pack out of the battery compartment.

3. Push the battery compartment cover to close it. Ensure that it is completely closed to prevent water from contacting battery or entering battery port.

TO START/STOP THE MISTING FAN

NOTICE: The initial factory setting for the air speed is level 3. The fan will save the last used air speed setting and will revert to it upon restart.

IMPORTANT: Turbo setting will not be saved.

NOTICE: The misting setting will not be saved, and by default will be off every time the fan is turned on.

POWER BUTTON

- Press the power button briefly to turn the fan ON.
- Press the power button briefly again to turn the fan OFF.

AIR SPEED ADJUSTMENT

Normal Air Speed

- Press the “+” button to accelerate the air speed and press the “-” button to decrease the air speed. There are 5 speed levels.
- The air speed indicator displays green lights corresponding to the current speed levels.

TURBO Mode

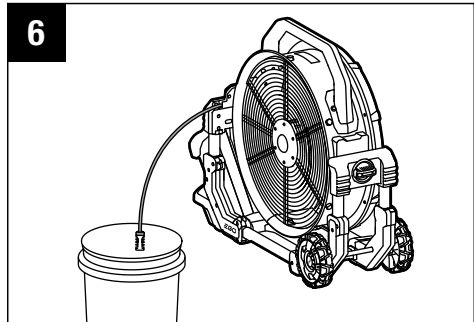
- Press the “**TURBO**” button, the **TURBO** indicator will light up green and the fan will shift into “**TURBO**” mode, i.e. the highest air speed.
- When in “**TURBO**” mode, press “**TURBO**” button again, the **TURBO** indicator will turn off and the fan will resume the previously active air speed.
- When in “**TURBO**” mode, press “-” button, the **TURBO** indicator will turn off and the fan will shift to the air speed level 5.

MISTING FUNCTION

USING THE FAN WITH A WATER BUCKET (NOT INCLUDED) (Fig. 6)

⚠ WARNING: Children can fall into buckets and drown. Keep children away from buckets containing even a small amount of liquid.

NOTICE: Clean the bucket with soap and water before each use.



1. Disconnect the battery pack.
2. Place the bucket on a flat, level surface.
3. Add **ONLY** clean, cold water into the bucket. Do not overfill.
4. Immerse the filter end of the intake tube down into the water bucket.

NOTICE: Do not bend the intake tube, and always make sure the water flows smoothly through the tube.

5. Install the battery pack and close the battery compartment cover.
6. Press the power button to turn the fan ON.
7. Press the misting mode selection button to start misting:
 - Press the misting mode selection button once and the misting indicator will light up one green light which indicates the ‘continuous’ misting mode – misting all the time without stopping.

NOTICE: It may take around 15 seconds before you actually see the mist coming out of the misting nozzles the first time. This delay is due to the time it takes for water to flow from the water bucket to the nozzles.

- Press the misting mode selection button again and the misting indicator will light up two green lights which indicates the ‘intermittent’ misting mode – misting for 5s every 10s.
- When the misting is in intermittent mode, press the misting mode selection button again and the misting indicator lights will turn off and the misting will stop.

NOTICE: When the misting operation is finished, pull the intake tube out of the water and run the fan in misting mode until all the water clears from the tube. This helps prevent the residual water in the tube from causing unexpected misting when the fan is started again.

USING THE FAN WITHOUT MISTING

If desired, this product may be used as a fan only, when not connected to a water source. When not in use, always place the intake tube in its storage area (See section “**STORAGE**” in this manual) to protect it from damage and contamination.

INTERNAL PROTECTION

When the misting function is activated but no water mist is coming out:

- The water pump will keep running for approx. 90s, and then stop automatically to protect internal electronics.
- Depending on misting mode, the misting indicator will display one or two solid green lights for approx. 90s, and then flash two green lights continuously as an alert for the operator to:
 - a. Check if the intake tube is properly immersed into water.
 - b. Check if the misting nozzle(s) is clogged, and clean according to the “**NOZZLE MAINTENANCE**” chapter.
 - c. Press the misting mode selection button to restart misting.

MAINTENANCE

⚠ WARNING: When servicing, use only identical replacement parts. Use of any other parts may create a hazard or cause product damage. To ensure safety and reliability, all repairs should be performed by a qualified service technician.

⚠ WARNING: To avoid serious personal injury, always remove the battery pack from the product when cleaning or performing any maintenance.

GENERAL MAINTENANCE

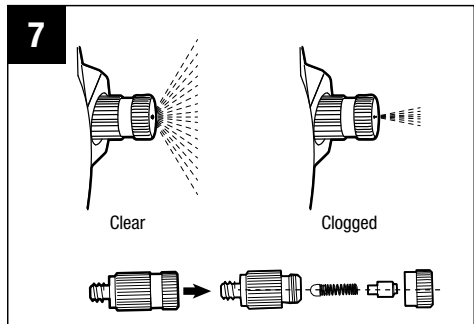
Avoid using solvents when cleaning plastic parts. Most plastics are susceptible to damage from various types of commercial solvents and may be damaged by their use. Use a piece of clean cloth to remove dirt, dust, oil, grease, etc.

⚠ WARNING: Do not at any time let brake fluids, gasoline, petroleum-based products, penetrating oils, etc., come in contact with plastic parts. Chemicals can damage, weaken or destroy plastic which may result in serious personal injury.

NOZZLE MAINTENANCE (Fig. 7)

⚠ WARNING: Ensure that all misting nozzle maintenance is performed properly to prevent water leaks. The leaks can result in a slippery surface creating a slip and fall hazard or cause property damage.

Irregular mist patterns or leakage may be the result of a clogged or dirty nozzle.



To clear the nozzles

1. Turn off the fan and remove the battery pack.
2. Remove the clogged brass misting nozzles from the front grill guard of the fan enclosure by rotating them in a counterclockwise direction.
3. Disassemble each affected nozzle into parts.

4. **To remove any foreign particles** clogging or restricting the nozzles, flush the nozzle parts with water. **To remove scale (mineral) buildup**, clean the nozzle parts with white vinegar or other de-scaling agent as necessary.
5. Reassemble the nozzles.

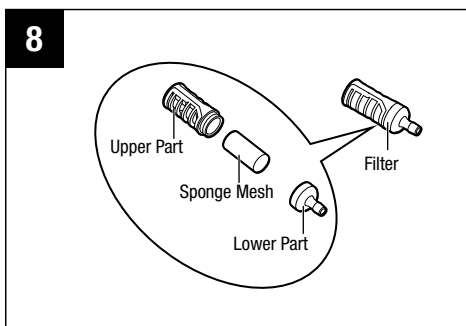
NOTICE: To prevent clogging, make sure that the nozzle is assembled exactly as shown as Fig. 7.

6. Reattach the clean nozzles to the front grill guard.

FILTER MAINTENANCE (Fig. 8)

Periodically examine the filter at the end of the intake tube to make sure that it is in good condition.

1. Pull the filter off of the intake tube.
2. Unscrew the filter into parts and take out the sponge mesh.
3. Rinse the sponge mesh or replace it if necessary.
4. Reassemble the filter and reconnect it to the intake tube.

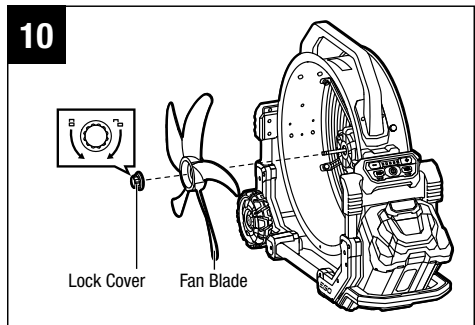
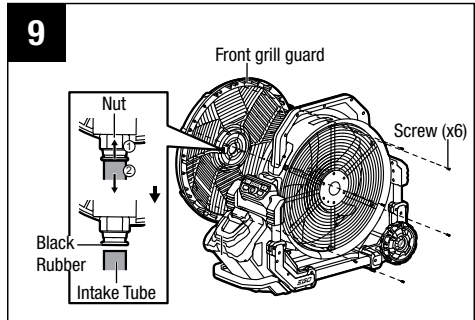


FAN ENCLOSURE MAINTENANCE (Fig. 9 & Fig. 10)

1. Turn off the fan and remove the battery pack.
2. Loosen and remove the six screws to PARTIALLY lift the front grill guard off from the fan enclosure.

⚠ CAUTION: To prevent damage, do not remove the front grill guard completely without disconnecting the intake tube FIRST.

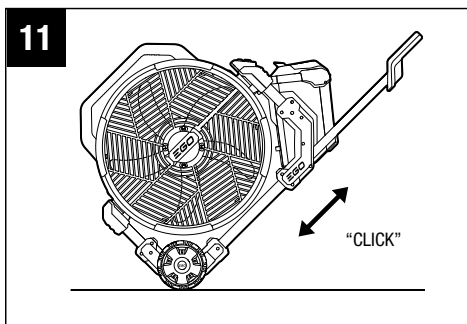
3. Depress the black rubber at end of the nut to pull out the intake tube.
4. Remove the front grill guard completely.
5. Rotate the fan blade lock cover clockwise to release the fan blade from the shaft.
6. Remove the fan blade.
7. Clean the fan blade and the enclosure interior as necessary.
8. Reassemble them in reverse order, and make sure:
 - the intake tube is properly connected to the nut.
 - the intake tube is placed properly into the slot on the grill guard.



TRANSPORTING

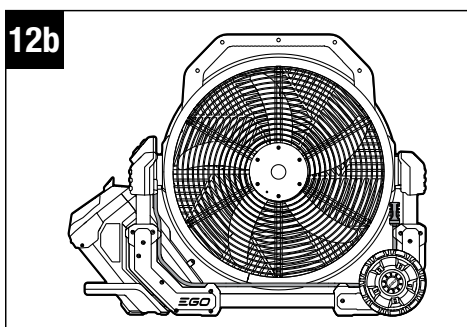
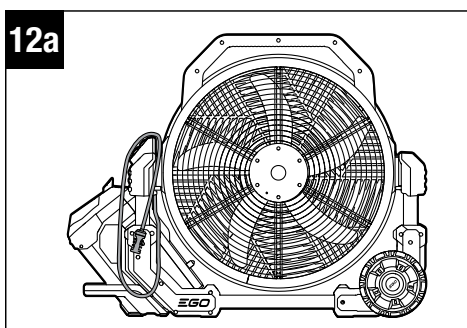
⚠ WARNING: Always remove the battery pack from the fan when transporting. Removing the battery pack will prevent accidental starting that could cause serious personal injury.

- The fan is equipped with a top handle for carrying the fan for short-distance trips or crossing rough surface/terrain.
- For long-distance transport, use the telescopic handle to roll the fan. Use the top handle to tilt the fan and then pull out the telescopic handle until you hear a “click”. When the telescopic handle is not used, push it into the tool (Fig. 11).



STORAGE

1. Remove the battery pack.
2. Clean the fan thoroughly.
3. Empty the intake tube and filter.
4. Place the intake tube into either storage position located at the back of the fan (Fig. 12a & Fig. 12b).
5. Store the fan in a dry, well-ventilated area, out of the reach of the children. Do not store the fan on or adjacent to fertilizers, gasoline, or other chemicals.



TROUBLESHOOTING

| PROBLEM | CAUSE | SOLUTION |
|---|--|---|
| Tool does not work. | <ul style="list-style-type: none"> ■ Low battery pack capacity. ■ The battery pack or the fan is too hot. | <ul style="list-style-type: none"> ■ Charge the battery pack. ■ Turn off the fan and allow the fan and battery pack to cool. |
| There is no water misting and the misting indicator flashes two green lights. | <ul style="list-style-type: none"> ■ The intake tube suction no water, activating internal protection for the water pump inside the tool. ■ The misting nozzle(s) got clogged during operation, activating the internal protection for the water pump. | <ul style="list-style-type: none"> ■ Check and ensure that there is enough water in the bucket and the intake tube is properly immersed into the water. ■ Clean the nozzle(s) according to the “NOZZLE MAINTENANCE” chapter and reassemble them as instructed. |
| Water leakage happens after fan enclosure maintenance. | <ul style="list-style-type: none"> ■ The nut connecting with the intake tube got loose unexpectedly. | <ul style="list-style-type: none"> ■ Open the fan enclosure according to the “FAN ENCLOSURE MAINTENANCE” chapter. Inspect and ensure that the nut is fully tightened. |



WARRANTY

EGO WARRANTY POLICY

5-year limited warranty on EGO POWER+ outdoor power equipment and portable power for personal, household use.

3-year limited warranty on EGO POWER+ System battery packs and chargers for personal, household use. An additional 2-year extended warranty applies for the 10.0Ah/12.0Ah battery whether sold separately (Model# BA5600T/BA6720T) or included with any tool, if it is registered within 90 days of purchase. 5-year limited warranty on CHV1600 charger, designed for use with Zero Turn Riding Mower for personal, household use.

2 year/1year limited warranty on EGO outdoor power equipment, portable power, battery packs, and chargers for professional and commercial use.

The detailed warranty periods by products can be found online at

<http://egopowerplus.com/warranty-policy>.

Please contact EGO Customer Service Toll-Free at 1-855-EGO-5656 any time you have questions or warranty claims.

LIMITED SERVICE WARRANTY

EGO products are warranted against defects in material or workmanship from the date of original retail purchase for the applicable warranty period. Defective product will receive free repair.

- a) This warranty applies only to the original purchaser from an authorized EGO retailer and may not be transferred. Authorized EGO retailers are identified online at <http://egopowerplus.com/warranty-policy>.
- b) The warranty period for reconditioned or factory certified products used for residential purpose is 1 year, for industrial, professional or commercial purpose is 90 days.
- c) The warranty period for routine maintenance parts, such as, but not limited to, ride-on mower seat, wheels, tires, anti-scalp wheels, brake disc, friction block, blades, trimmer heads, chain bars, saw chains, belts, scraper bars, rubber paddles, augers, skid shoes, blower nozzles, and all other EGO accessories is 90 days for residential purpose, 30 days for industrial, professional or commercial purpose. These parts are covered for 90/30 days from manufacture defects in normal working conditions.

- d) This warranty is void if the product has been used for rental purpose.
- e) This warranty does not cover the damage resulting from modification, alteration or unauthorized repair.
- f) This warranty only covers defects arising under normal usage and does not cover any malfunction, failure or defect resulting from misuse, abuse (including overloading of the product beyond capacity and immersion in water or other liquid), accidents, neglect or lack of proper installation, and improper maintenance or storage.
- g) This warranty does not cover normal deterioration of the exterior finish, including but not limited to scratches, dents, paint chips, or to any corrosion or discoloring by heat, abrasive and chemical cleaners.

HOW TO OBTAIN SERVICE

For warranty service, please contact EGO customer service toll-free at **1-855-EGO-5656**. When requesting warranty service, you must present the original dated sales receipt. An authorized service center will be selected to repair the product according to the stated warranty terms. When bringing your product to the authorized service center, there may be a small deposit that will be required when dropping off your tool. This deposit is refundable when the repair service is deemed to be covered under warranty.

ADDITIONAL LIMITATIONS

To the extent permitted by applicable law, all implied warranties, including warranties of MERCHANTABILITY or FITNESS FOR A PARTICULAR PURPOSE, are disclaimed. Any implied warranties, including warranties of merchantability or fitness for a particular purpose, that cannot be disclaimed under state law are limited to the applicable warranty period defined at the beginning of this article.

Chervon North America is not responsible for direct, indirect, incidental or consequential damages.

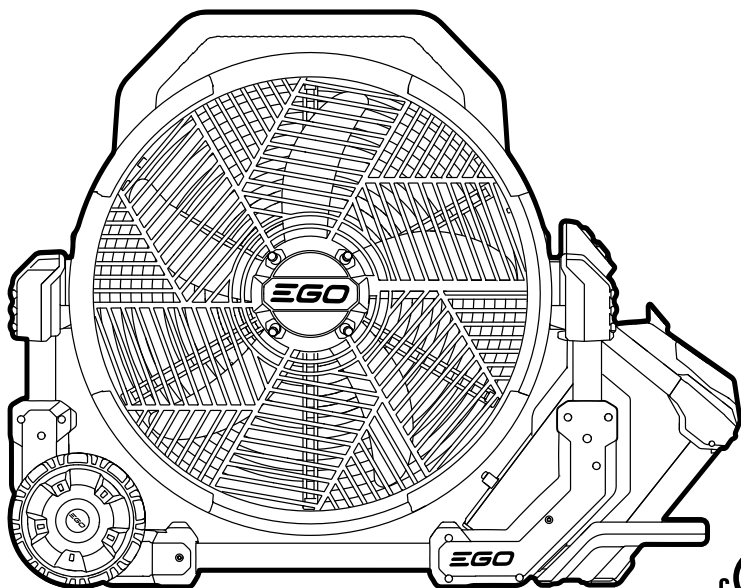
Some states do not allow limitations on how long an implied warranty lasts and/or do not allow the exclusion or limitation of incidental or consequential damages, so the above limitations may not apply to you.

This warranty gives you specific legal rights, and you may also have other rights which vary from state to state.

For customer service contact us toll-free at: **1-855-EGO-5656 or EGOPOWERPLUS.COM**. EGO Customer Service, 769 SEWARD AVE NW / Suite 102 Grand Rapids, MI 49504

EGO™

POWER⁺ FAN



GUIDE D'UTILISATION

VENTILATEUR DE BRUMISATION SANS FIL À PILES AU LITHIUM-ION DE 56 VOLTS

NUMÉRO DE MODÈLE FN1800/FN1800-FC

⚠ AVERTISSEMENT : Afin de réduire les risques de blessure, l'utilisateur doit lire et comprendre le guide d'utilisation avant d'utiliser ce produit. Conservez le présent guide afin de pouvoir le consulter ultérieurement.

TABLE DES MATIÈRES

| | |
|---|-------|
| Déclaration de Conformité FCC | 33 |
| Lignes directrices sur la sécurité | 34 |
| Consignes de sécurité importantes | 35-41 |
| Introduction | 42 |
| Spécifications | 42 |
| Liste des pièces contenues dans l'emballage | 43 |
| Description | 44-46 |
| Assemblage | 47-48 |
| Fonctionnement | 49-53 |
| Entretien | 54-57 |
| Recherche de la cause des problèmes | 58 |
| Garantie | 59-60 |

DÉCLARATION DE CONFORMITÉ FCC

1. Ce luminaire est conforme à la Partie 15 des Règlements de la FCC. Son utilisation est autorisée moyennant le respect des deux conditions suivantes :
 - 1) Ce dispositif ne doit pas causer d'interférences préjudiciables.
 - 2) Ce dispositif doit accepter toute interférence reçue, y compris les interférences qui risquent de causer un fonctionnement indésirable de l'équipement.
2. Toute modification ou altération de ce dispositif n'ayant pas été approuvée expressément par la partie responsable de la conformité pourrait annuler le droit de l'utilisateur de se servir de cet équipement.

AVIS: Ce luminaire a été testé et jugé conforme aux limites pour un équipement numérique de Classe B en vertu de la Partie 15 des Règlements de la FCC. Ces limites sont conçues pour assurer une protection raisonnable contre les interférences nuisibles dans une installation résidentielle. Cet équipement émet, utilise et peut rayonner de l'énergie de fréquence radio et, s'il n'est pas installé et utilisé conformément aux instructions, il pourrait causer des interférences nuisibles aux communications radio. Cependant, il n'existe aucune garantie qu'aucune interférence ne se produira dans une installation particulière. Si cet équipement cause des interférences nuisibles pour la réception de programmes à la radio ou à la télévision, ce qui peut être déterminé en allumant et en éteignant à plusieurs reprises l'équipement en question, l'utilisateur est encouragé à corriger l'interférence en prenant une ou plusieurs des mesures suivantes : Réorienter ou déplacer l'antenne de réception. Augmenter la distance entre l'équipement et le récepteur. Connecter l'équipement à une prise de courant raccordée à un circuit différent de celui auquel le récepteur est connecté. Consulter le détaillant ou un technicien radio ou télévision expérimenté pour lui demander conseil.

LISEZ TOUTES LES INSTRUCTIONS!



ASSUREZ-VOUS DE LIRE ET DE COMPRENDRE
LE GUIDE D'UTILISATION

LIGNES DIRECTRICES SUR LA SÉCURITÉ

SYMBOLES DE SÉCURITÉ

L'objectif des symboles de sécurité est d'attirer votre attention sur les dangers potentiels. Vous devez examiner attentivement et bien comprendre les symboles de sécurité et les explications qui les accompagnent. Les symboles d'avertissement en tant que tels n'éliminent pas le danger. Les consignes et les avertissements qui y sont associés ne remplacent en aucun cas les mesures préventives adéquates.

⚠ AVERTISSEMENT : Lisez toutes les consignes de sécurité qui sont contenue dans ce Mode d'emploi, y compris tous les symboles d'alerte relatifs à la sécurité tels que « **DANGER** », « **AVERTISSEMENT** » et « **MISE EN GARDE** », et assurez-vous que vous les comprenez bien avant de commencer à utiliser cet outil. La non-observation de toutes les instructions figurant ci-après pourrait causer un choc électrique, un incendie et/ou des blessures personnelles graves.

MESSAGES D'INFORMATION ET DE PRÉVENTION DES DOMMAGES


Ils informent l'utilisateur d'informations et/ou d'instructions importantes qui pourraient entraîner des dommages matériels ou aux équipements s'ils ne sont pas suivis. Chaque message est précédé par le terme « **AVIS** », comme dans l'exemple ci-dessous :

AVIS : Un dommage matériel et/ou aux équipements peut survenir si ces instructions ne sont pas suivies.

CONSIGNES DE SÉCURITÉ IMPORTANTES

Cette page représente et décrit les symboles de sécurité qui peuvent figurer sur ce produit. Lisez, comprenez et suivez toutes les instructions figurant sur la lampe avant de l'assembler et de commencer à l'utiliser.

| | | |
|--|--|---|
| | Alerte à la sécurité | Précautions en liaison avec votre sécurité |
| | Lisez le mode d'emploi, et assurez-vous que vous le comprenez. | Pour réduire le risque de blessure, l'utilisateur doit lire et comprendre le mode d'emploi avant de commencer à utiliser ce produit. |
| | Brûlures chimiques | Pour réduire les risques de blessures ou de dommages, N'UTILISEZ PAS d'ACIDES, d'ALKALIS, de CHAUX, de SOLVANTS, de MATÉRIAUX INFLAMMABLES OU DE SOLUTIONS DE QUALITÉ INDUSTRIELLE dans ce produit. |
| | Condition de pluie | N'exposez pas à la pluie. |
| | Surface glissante | Des raccords de tuyaux incorrects et/ou des fuites peuvent entraîner un risque de glissement et de chute. |
| | Cheveux longs | Si vous n'éloignez pas les cheveux longs de l'entrée d'air, vous risquez de vous blesser. |
| | Pales du ventilateur | Tout contact avec une pièce en mouvement pourrait entraîner une blessure grave. |

| | | |
|---|------------------------|--|
|  | Symboles de recyclage | Ce produit utilise des piles au lithium-ion (Li-ion). Les lois et règlements locaux, provinciaux et fédéraux interdisent peut-être de jeter des piles au lithium-ion dans les ordures ordinaires. Consultez votre service municipal responsable de la gestion des déchets pour déterminer quelles sont les options de recyclage et/ou d'élimination possibles. |
| IPX4 | Indice de protection | Protection contre les éclaboussures d'eau |
| — — — | Courant continu | Type ou caractéristique du courant |
| V | Volts | Tension |
| cm | Centimètre | Longueur ou taille |
| in | pouce | Longueur ou taille |
| km/h | Kilomètres par heure | Vitesse |
| MPH | Miles par heure | Vitesse |
| CFM | Pieds cubes par minute | Débit d'air |
| L/h | Litres par heure | Débit |
| GPH | Gallons par heure | Débit |
| °F | Fahrenheit | Température |
| °C | Celsius | Température |
| lb | Livre | Poids |
| kg | Kilogramme | Poids |

AVERTISSEMENTS IMPORTANTS POUR LA SÉCURITÉ

Des précautions élémentaires doivent toujours être prises lors de l'utilisation d'outils électriques, notamment les précautions suivantes :

LISEZ TOUTES LES INSTRUCTIONS AVANT DE COMMENCER À UTILISER CE PRODUIT !

⚠ AVERTISSEMENT : Pour réduire le risque d'incendie, de choc électrique ou de blessures :

- **Familiarisez-vous avec votre ventilateur de brumisation. Lisez attentivement le mode d'emploi. Apprenez les applications et les limitations du ventilateur et prenez conscience des dangers éventuels spécifiques associés à ce ventilateur.** L'observation de cette règle réduira le risque de choc électrique, d'incendie ou de blessures graves.

SÉCURITÉ DE LA ZONE DE TRAVAIL

- **N'utilisez pas le ventilateur dans une atmosphère explosive, par exemple en présence de liquides, de gaz ou de poussières inflammables.**
- **Gardez les enfants et autres personnes présentes à une distance suffisante lorsque vous utilisez un outil électrique.** Des distractions risqueraient de vous faire perdre le contrôle.
- **Soyez prudent(e) en cas d'utilisation dans des conditions caractérisées par beaucoup de vent. Les vents peuvent transporter des brouillards dans les câbles ou les appareils électriques.**
- **N'exposez pas d'outils électriques à la pluie ou à un environnement humide.** La pénétration d'eau dans un appareil électrique augmentera le risque de choc électrique.

SÉCURITÉ PERSONNELLE

- **Restez alerte, regardez ce que vous faites et faites preuve de bon sens lorsque vous utilisez un outil électrique. N'utilisez pas l'appareil électrique si vous êtes fatigué(e), irrité(e) ou sous l'influence de drogues, d'alcool ou de médicaments.** Un simple moment d'inattention pendant que vous utilisez un appareil électrique pourrait causer une blessure corporelle grave.
- **Empêchez une mise en marche accidentelle. Assurez-vous que l'interrupteur est dans la position d'arrêt avant de le connecter au bloc-piles, ou de soulever ou de transporter votre appareil électrique.** Le fait de transporter un appareil électrique avec le doigt sur l'interrupteur ou de le mettre sous tension avec l'interrupteur en position de marche invite les accidents.

- **Retirez toute clé de réglage pouvant être attachée à l'appareil électrique avant de le mettre sous tension.** Une clé laissée attachée à une pièce en rotation de l'outil électrique pourrait causer une blessure.
- **Ne vous penchez pas excessivement au-dessus du ventilateur. Veillez à toujours garder un bon équilibre et un appui stable.** Ceci permet de mieux contrôler l'appareil électrique dans des situations inattendues.
- **Portez des vêtements appropriés. Ne portez pas de bijoux ou de vêtements amples. Gardez vos cheveux et vos vêtements à une distance suffisante des pièces mobiles.** Les vêtements amples, bijoux ou cheveux longs pourraient être attrapés par des pièces mobiles.
- **Vérifiez que toutes les connexions sont bien fixées avant de faire fonctionner l'appareil.**
- **Ne laissez pas la familiarité résultant de l'utilisation fréquente des appareils électriques vous inciter à devenir complaisant(e) et à ignorer les principes de sécurité des outils.** Une action négligente pourrait causer des blessures graves en une fraction de seconde.

UTILISATION ET ENTRETIEN

- **N'utilisez pas l'appareil électrique si l'interrupteur de marche/arrêt ne permet pas de le mettre sous tension/hors tension.** Tout appareil qui ne peut pas être contrôlé par son interrupteur est dangereux et doit être réparé.
- **Débranchez le bloc-piles de l'appareil électrique avant d'y apporter de quelconques modifications, de changer des accessoires ou de le ranger.** De telles mesures de sécurité préventives réduisent le risque de démarrage accidentel de l'appareil.
- **Rangez les appareils électriques qui ne sont pas utilisés activement hors de portée des enfants, et ne laissez aucune personne n'ayant pas lu ces instructions et ne sachant pas comment utiliser de tels appareils se servir de ces derniers.** Les appareils électriques sont dangereux entre les mains d'utilisateurs non formés.
- **Entretenez l'appareil électrique et les accessoires. Vérifiez que les pièces mobiles ne sont pas mal alignées, qu'elles ne sont pas coincées, qu'elles ne sont pas cassées et qu'aucune autre condition ne peut affecter le fonctionnement de l'appareil. S'il est endommagé, faites réparer l'appareil avant de l'utiliser à nouveau.** De nombreux accidents sont causés par un appareil mal entretenu.

- **Utilisez l'appareil et les accessoires, etc. conformément à ces instructions, en tenant compte des conditions de travail et des travaux à effectuer.** L'utilisation de l'appareil pour des opérations différentes de celles pour lesquelles il est conçu pourrait causer une situation dangereuse.
- **Maintenez les poignées et les surfaces de préhension sèches, propres et exemptes d'huile et de graisse.** Les poignées et les surfaces de préhension glissantes ne permettent pas une manipulation et un contrôle sûrs de l'outil dans des situations inattendues.

⚠ AVERTISSEMENT : Pour réduire le risque d'incendie ou de choc électrique, n'utilisez pas ce ventilateur avec un dispositif de contrôle de vitesse à semi-conducteurs.

UTILISATION ET ENTRETIEN DES OUTILS ALIMENTÉS PAR DES PILES

- **Rechargez uniquement avec le chargeur spécifié par le fabricant.** Un chargeur qui est approprié pour un type de bloc-piles pourrait créer un risque d'incendie quand il est utilisé avec un autre bloc-piles.
- **N'utilisez l'appareil qu'avec des blocs-piles spécifiquement désignés.** L'emploi de tout autre bloc-piles risquerait de causer des blessures et un incendie.
- **N'utilisez qu'avec les blocs-piles et les chargeurs répertoriés ci-dessous.**

| BLOC-PILES | CHARGEUR |
|--|---|
| BA1400, BA1400-FC, BA2800, BA2800-FC, BA4200, BA4200-FC, BA1400T, BA1400T-FC, BA2240T, BA2240T-FC, BA2242T, BA2242T-FC, BA2800T, BA2800T-FC, BA4200T, BA4200T-FC, BA5600T, BA5600T-FC, BA6720T, BA6720T-FC | CH2100, CH2100-FC, CH3200, CH3200-FC, CH5500, CH5500-FC, CH2800D, CH2800D-FC, CH7000, CH7000-FC |

- **Lorsque le bloc-piles n'est pas utilisé, tenez-le à l'écart d'autres objets métalliques, comme des trombones, des pièces de monnaie, des clés, des clous, des vis ou d'autres petits objets métalliques, qui peuvent établir une connexion d'une borne à l'autre.** La mise en court-circuit des bornes de la pile peut provoquer des brûlures ou un incendie.
- **Dans des conditions abusives, du liquide peut être éjecté de la pile ; évitez tout contact. En cas de contact accidentel, lavez avec de l'eau. En cas de contact de liquide avec les yeux, consultez un professionnel de santé.** Le liquide éjecté de la pile peut provoquer une irritation ou des brûlures.

- **N'utilisez pas un bloc-piles ou un appareil qui est endommagé ou a été modifié.** Les piles endommagées ou modifiées peuvent avoir un comportement imprévisible et provoquer un incendie, une explosion ou un risque de blessure.
- **N'exposez pas un bloc-piles ou un appareil au feu ou à une température excessive.** L'exposition à un feu ou à une température supérieure à 130° C / 265° F pourrait causer une explosion.
- **Respectez toutes les instructions de charge et ne chargez pas le bloc-piles ou l'appareil en dehors de la plage de température spécifiée dans les instructions.** Une charge inappropriée ou à des températures hors de la plage spécifiée peut endommager la pile et augmenter le risque d'incendie.

SERVICE APRÈS-VENTE

- **Faites réparer votre appareil par un réparateur qualifié en utilisant uniquement des pièces de rechange identiques.** Cela permettra de garantir que la sécurité de l'appareil est maintenue.
- **Ne faites jamais l'entretien d'un bloc-piles endommagé.** La réparation de blocs-piles ne doit être effectuée que par le fabricant ou un prestataire de services agréé.

INSTRUCTIONS DE SÉCURITÉ POUR LE VENTILATEUR DE BRUMISATION SANS FIL

- **Ne laissez pas l'appareil être utilisé comme un jouet.** Il est nécessaire de prendre des précautions appropriées quand elle est utilisée par des enfants ou à proximité d'enfants.
- **Les enfants peuvent tomber dans des seaux et se noyer.** Tenez les enfants éloignés des seaux contenant ne serait-ce qu'une petite quantité de liquide.
- **Utilisez UNIQUEMENT de l'eau propre et froide.**
- **N'utilisez pas ce ventilateur de brumisation pour pulvériser des pesticides, des engrais liquides, des produits chimiques ou tout autre liquide que de l'eau propre. Sinon, il existerait un risque de blessures graves pour l'utilisateur et/ou des personnes se trouvant à proximité.**
- **Ne dirigez jamais la brume produite ou l'eau vers des câbles ou des appareils électriques.**
- **Assurez-vous que le couvercle du compartiment des piles est complètement fermé pour éviter que de l'eau n'entre en contact avec les piles ou ne pénètre dans l'orifice d'insertion des piles.**

- **Gardez l'appareil et sa poignée propres, secs et exempts de toute trace d'huile ou de graisse. Utilisez toujours un chiffon propre pour le nettoyage. N'utilisez jamais de liquide de frein, d'essence, de produits à base de pétrole ou de solvants puissants pour nettoyer votre ventilateur.** Le respect de cette règle réduira le risque de perte de contrôle et de détérioration du plastique de l'enceinte.
- **Les piles peuvent exploser en présence d'une source d'inflammation comme une lumière pilote. Pour réduire le risque de blessures personnelles graves, n'utilisez jamais de produit sans fil en présence d'une flamme vive. En explosant, une pile peut projeter des débris et des agents chimiques.** En cas d'exposition, aspergez immédiatement avec de l'eau.
- **Conservez ces instructions.** Consultez-les fréquemment et utilisez-les pour apprendre à d'autres personnes comment utiliser ce ventilateur le cas échéant. Si vous prêtez ce ventilateur à quelqu'un d'autre, donnez également ces instructions à la personne à laquelle vous le prêtez pour éviter toute utilisation abusive du produit et tout risque de blessure.

CONSERVEZ CES INSTRUCTIONS !

INTRODUCTION


Félicitations pour votre choix du VENTILATEUR DE BRUMISATION AU LITHIUM-ION EGO DE 56 V. Elle a été conçue, développée et fabriquée pour vous donner le plus possible de fiabilité et de performance.

Si vous rencontrez un problème auquel vous ne pouvez pas remédier facilement, veuillez contacter le centre de service à la clientèle EGO au 1-855-EGO-5656.

Ce mode d'emploi contient des informations importantes sur l'assemblage, l'utilisation et l'entretien de votre produit en toute sécurité. Lisez-le attentivement avant de commencer à utiliser le produit. Conservez ce mode d'emploi à portée de main afin de pouvoir vous y référer à tout moment.

NUMÉRO DE SÉRIE _____ DATE D'ACHAT _____
VEUILLEZ ENREGISTRER LE NUMÉRO DE SÉRIE ET LA DATE D'ACHAT, ET LES CONSERVER
DANS UN ENDROIT SÛR POUR TOUTE RÉFÉRENCE ULTÉRIEURE.

SPÉCIFICATIONS

| | |
|--|--|
| Tension | 56 V  |
| Diamètre des pales du ventilateur | 18 in (45.7 cm) |
| Paramètres de réglage de la vitesse du ventilateur | 6 dont « Turbo » |
| Volume d'air max. | 5000 CFM |
| Vitesse max. de l'air | 23.5 MPH (37.8 km/h) |
| Volume d'eau de brumisation | I: 1.2 GPH (4.5 L/h) |
| | II: 3.0 GPH (11.4 L/h) |
| Température de fonctionnement recommandée | 50°F-104°F(10°C-40°C) |
| Température de stockage recommandée | -4°F-158°F(-20°C-70°C) |
| Poids (sans le bloc-piles) | 22.9 lb. (10.4 kg) |

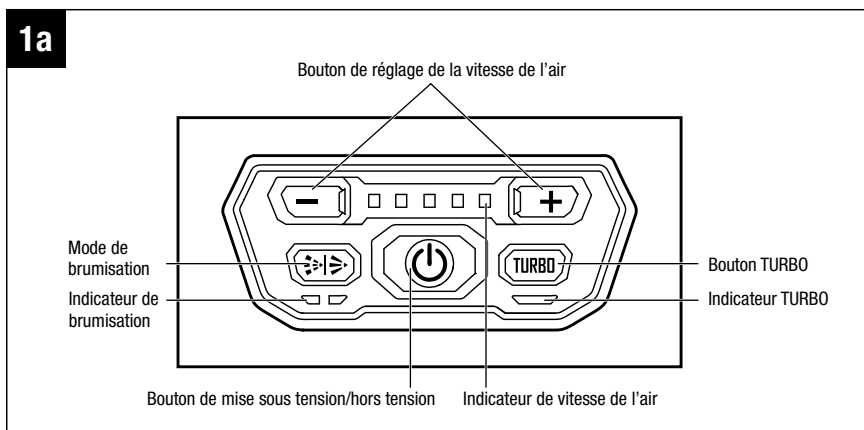
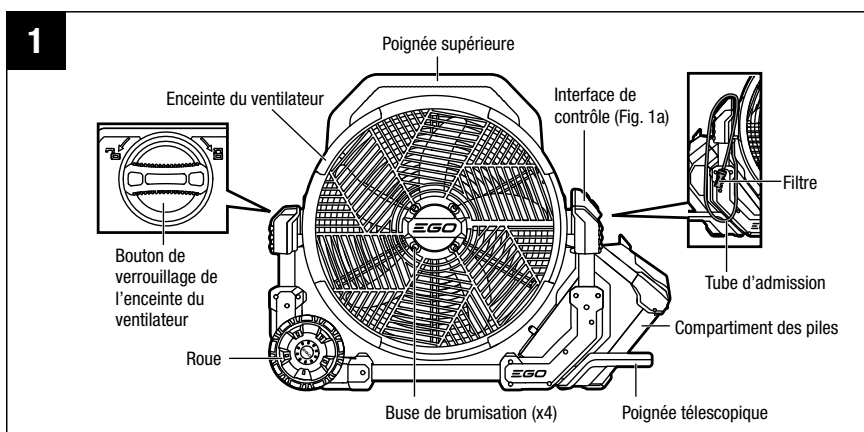
LISTE DES PIÈCES CONTENUES DANS L'EMBALLAGE

| NOM DE LA PIÈCE | | QUANTITÉ |
|-------------------------------|-------------------|----------|
| Ventilateur de brumisation | | 1 |
| Ensemble de roue | Roue | 2 |
| | Enjoliveur | 2 |
| | Vis avec rondelle | 2 |
| Ensemble de poignée du haut : | Poignée du haut | 1 |
| | Vis avec rondelle | 4 |
| Clé | | 1 |
| Buse de recharge | | 1 |
| Mode d'emploi | | 1 |

DESCRIPTION

FAMILIARISEZ-VOUS AVEC VOTRE VENTILATEUR (Fig. 1 & Fig. 1a)

Pour que ce produit puisse être utilisé en toute sécurité, il est nécessaire de comprendre les informations figurant sur le produit et dans son mode d'emploi, et de bien maîtriser le projet que vous voulez réaliser. Avant d'utiliser ce produit, familiarisez-vous avec toutes ses fonctionnalités et les consignes de sécurité qui s'y appliquent.



POIGNÉE DU HAUT

Utilisez la poignée du haut pour soulever le ventilateur du sol. Normalement utilisée pour le transport sur de courtes distances ou pour traverser des terrains/surfaces accidentés.

POIGNÉE TÉLESCOPIQUE

Tirez sur la poignée télescopique pour faire rouler facilement le ventilateur jusqu'à l'endroit souhaité. Normalement utilisée pour le transport sur de longues distances.

ROUES

Les roues sont utilisées pour faire rouler rapidement le ventilateur.

ENCEINTE DU VENTILATEUR

L'enceinte du ventilateur réglable peut pivoter vers l'avant jusqu'à 90° et vers l'arrière jusqu'à 135°.

BOUTON DE VERROUILLAGE DE L'ENCEINTE DU VENTILATEUR

Verrouille l'enceinte du ventilateur réglable à l'angle souhaité.

TUBE D'ADMISSION

Fournit une voie d'écoulement de l'eau pour la brumisation.

FILTRE

Filtre l'eau avant qu'elle ne s'écoule dans le tube d'admission pour la brumisation.

BUSES DE BRUMISATION

Pour vaporiser un brouillard d'eau.

COMPARTIMENT DES PILES

Conçu pour protéger le bloc-piles de la brume produite et des gouttes d'eau.

BOUTON DE MISE SOUS TENSION/HORS TENSION

Permet d'allumer ou d'éteindre le ventilateur.

BOUTON DE RÉGLAGE DE LA VITESSE DE L'AIR

Permet à l'opérateur de sélectionner une vitesse de l'air confortable.

INDICATEUR DE VITESSE DE L'AIR

Le nombre de lumières vertes indique le niveau actuel de la vitesse de l'air.

BOUTON TURBO

Lorsque vous appuyez sur le bouton, le ventilateur passe en mode « TURBO », c'est-à-dire à la vitesse d'air la plus élevée.

INDICATEUR DE MODE TURBO

Affiche une lumière verte lorsque le ventilateur fonctionne à la vitesse d'air la plus élevée.

BOUTON DE SÉLECTION DU MODE BRUMISATION

Appuyez sur le bouton une, deux ou trois fois pour faire fonctionner le ventilateur avec une brumisation continue, avec une brumisation intermittente ou sans brumisation, respectivement.

INDICATEUR DE BRUMISATION

Affiche une lumière verte, deux lumières vertes ou aucune lumière pour indiquer que le ventilateur fonctionne avec une brumisation continue, avec une brumisation intermittente ou sans brumisation, respectivement.

ASSEMBLAGE

⚠ AVERTISSEMENT : Si certaines pièces sont endommagées ou manquantes, n'utilisez pas ce produit avant que ces pièces aient été remplacées. L'utilisation de ce produit avec des pièces endommagées ou manquantes pourrait causer des blessures graves.

⚠ AVERTISSEMENT : Ne tentez pas de modifier ce produit ou de créer des accessoires qu'il n'est pas recommandé d'utiliser avec cette souffleuse. Une telle altération ou modification constituerait une utilisation abusive et pourrait créer une situation dangereuse avec risque de blessures graves.

⚠ AVERTISSEMENT : Retirez toujours le bloc-piles de ce produit lorsque vous assemblez des pièces, effectuez des réglages, faites un nettoyage ou n'utilisez pas le produit. Le retrait du bloc-piles empêchera une mise en marche accidentelle qui risquerait de causer des blessures graves.

DÉBALLAGE

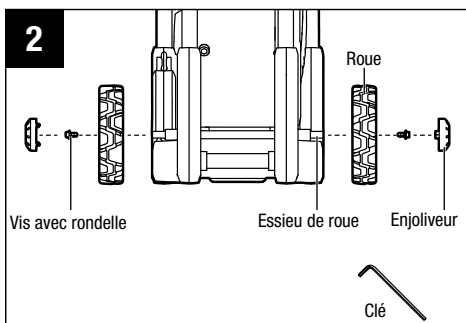
- Ce produit nécessite un assemblage.
- Retirez le produit et tous les accessoires de la boîte en prenant les précautions nécessaires. Assurez-vous que tous les articles indiqués sur la liste des pièces sont inclus.

⚠ AVERTISSEMENT : N'utilisez pas ce produit si de quelconques pièces figurant sur la liste des pièces sont déjà montées sur votre produit lorsque vous le sortez de son emballage. Les pièces figurant sur cette liste ne sont pas montées sur le produit par le fabricant. Elles nécessitent une installation par le client. L'utilisation d'un produit pouvant avoir été assemblé de façon incorrecte pourrait causer des blessures graves.

- Inspectez attentivement l'outil pour vous assurer qu'aucun dommage ou bris de pièce(s) ne s'est produit pendant le transport.
- Ne jetez pas les matériaux d'emballage avant d'avoir inspecté attentivement le produit et de l'avoir mis en marche de façon satisfaisante.
- Si une pièce quelconque est endommagée ou manquante, rappelez le produit dans le magasin où vous l'avez acheté.

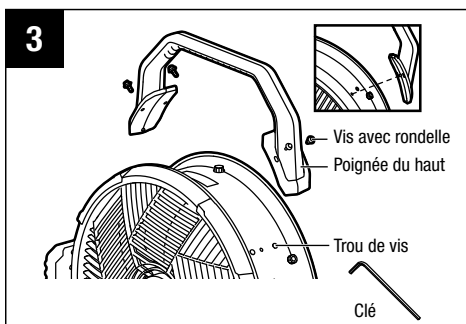
ASSEMBLAGE DES ROUES (Fig. 2)

1. Alignez le trou d'une des roues sur l'essieu du ventilateur, et montez la roue sur l'essieu.
2. Enfilez l'une des vis de roue à travers le trou de la roue dans l'axe de la roue, puis serrez la vis avec la clé fournie.
3. Emboîtez l'enjoliveur sur la roue.
4. Assemblez l'autre roue en suivant les étapes 1 à 3 ci-dessus.



FIXATION DE LA POIGNÉE DU HAUT (Fig. 3)

1. Alignez les quatre vis fournies sur les trous de la poignée du haut et les trous de l'enceinte du ventilateur.
2. Insérez les vis, puis serrez-les à l'aide de la clé fournie.



FONCTIONNEMENT

⚠ AVERTISSEMENT : Ne laissez pas l'habitude de l'utilisation de ce produit vous empêcher de prendre toutes les précautions requises. N'oubliez jamais qu'une fraction de seconde d'inattention suffit pour entraîner de graves blessures.

⚠ AVERTISSEMENT : N'utilisez pas d'attaches ou d'accessoires qui ne sont pas recommandés par le fabricant de ce produit. L'utilisation d'attaches ou d'accessoires qui ne sont pas recommandés peut causer des blessures graves.

Avant chaque utilisation, inspectez périodiquement l'intégralité du produit pour vous assurer qu'il n'y a pas de pièces endommagées, manquantes ou desserrées comme des vis, des écrous, des boulons, des capuchons, etc. Serrez à fond tous les dispositifs de fixation et capuchons, et ne vous servez pas de ce produit avant que toutes les pièces manquantes ou endommagées aient été remplacées.

⚠ AVERTISSEMENT : Retirez toujours le bloc-piles de ce produit lorsque vous assemblez des pièces, effectuez des réglages, faites un nettoyage ou n'utilisez pas le produit. Le retrait du bloc-piles empêchera une mise en marche accidentelle qui risquerait de causer des blessures graves.

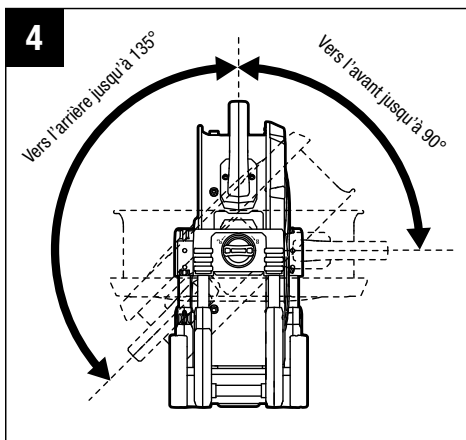
APPLICATION

Vous pouvez utiliser ce produit pour faire ce qui suit :

- Ventilation générale dans la plupart des applications domestiques
- Refroidissement extérieur alors qu'il est connecté à une source d'eau

RÉGLAGE DE L'ANGLE DU VENTILATEUR (FIG. 4)

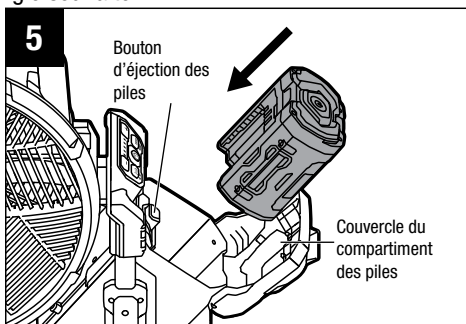
1. Saisissez la poignée du haut pour tenir l'enceinte du ventilateur.
2. Tournez le bouton de verrouillage de l'enceinte du ventilateur dans le sens contraire des aiguilles d'une montre pour desserrer l'enceinte du ventilateur réglable.
3. Inclinez l'enceinte du ventilateur réglable vers l'avant ou l'arrière selon l'angle souhaité. Le ventilateur peut pivoter jusqu'à 90° vers l'avant et jusqu'à 135° vers l'arrière.
4. Tournez le bouton de verrouillage dans le sens des aiguilles d'une montre pour fixer l'enceinte du ventilateur à l'angle souhaité.



INSTALLATION / RETRAIT DU BLOC-PILES (FIG. 5)

CHARGEZ LE BLOC-PILES AVANT DE VOUS EN SERVIR POUR LA PREMIÈRE FOIS

1. Tirez sur le couvercle du compartiment des piles pour l'ouvrir.
2. **Pour installer le bloc-piles**, alignez les nervures du bloc-piles sur les fentes de montage du compartiment des piles, puis appuyez sur le bloc-piles dans le compartiment des piles jusqu'à ce qu'il s'enclenche en position.
Pour retirer le bloc-piles, appuyez sur le bouton d'éjection des piles pour relâcher le bloc-piles, puis tirez dessus pour le faire sortir du compartiment des piles.
3. Appuyez sur le couvercle du compartiment des piles pour le fermer. Assurez-vous qu'il est complètement fermé pour empêcher l'eau d'entrer en contact avec les piles ou de pénétrer dans l'orifice d'insertion des piles.



POUR METTRE EN MARCHÉ/ARRÊTER LE VENTILATEUR DE BRUMISATION

AVIS : Le réglage initial en usine de la vitesse de l'air est le niveau 3. Le ventilateur enregistre le dernier réglage de vitesse de l'air utilisé et y revient au moment du redémarrage.

IMPORTANT : Le réglage du mode Turbo ne sera pas sauvegardé.

AVIS : Le réglage de la brumisation ne sera pas sauvegardé et, par défaut, il sera désactivé chaque fois que le ventilateur sera allumé.

BOUTON DE MISE SOUS TENSION/HORS TENSION

- Appuyez brièvement sur le bouton de mise sous tension/hors tension pour activer le ventilateur.
- Appuyez à nouveau brièvement sur le bouton de mise sous tension/hors tension pour désactiver le ventilateur.

RÉGLAGE DE LA VITESSE DE L'AIR

Vitesse normale de l'air

- Appuyez sur le bouton « + » pour accélérer la vitesse de l'air, et sur le bouton « - » pour la réduire. Il y a 5 niveaux de vitesse de l'air possibles.
- L'indicateur de vitesse de l'air affiche des voyants verts correspondant aux niveaux de vitesse actuels.

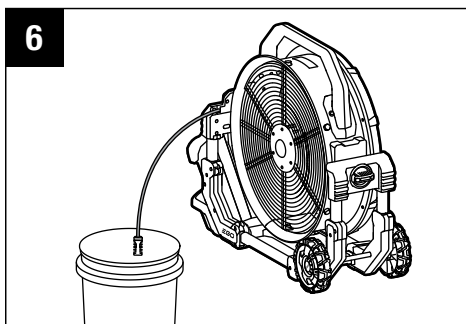
Mode TURBO

- Appuyez sur le bouton « **TURBO** », l'indicateur **TURBO** s'allume en vert et le ventilateur passe en mode « **TURBO** », c'est-à-dire à la vitesse de l'air la plus élevée.
- En mode « **TURBO** », appuyez à nouveau sur le bouton « **TURBO** », l'indicateur **TURBO** s'éteint et le ventilateur reprend la vitesse de l'air précédemment active.
- En mode « **TURBO** », appuyez sur le bouton « - », l'indicateur **TURBO** s'éteint et le ventilateur passe au niveau de vitesse de l'air 5.

FONCTION DE BRUMISATION

UTILISATION DU VENTILATEUR AVEC UN SEAU D'EAU (NON INCLUS) (FIG. 6)

⚠ AVERTISSEMENT : Les enfants peuvent tomber dans les seaux et se noyer. Tenez les enfants éloignés des seaux contenant même une petite quantité de liquide.



AVIS : Nettoyez le seau à l'eau et au savon avant chaque utilisation.

1. Déconnectez le bloc-piles.
2. Placez le seau sur une surface plate et de niveau.
3. Ajoutez SEULEMENT de l'eau propre et froide dans le seau. Ne le remplissez pas excessivement.
4. Plongez l'extrémité filtrante du tube d'admission dans le seau d'eau.

AVIS : Ne pliez pas le tube d'admission, et assurez-vous toujours que l'eau s'écoule doucement à travers le tube.

5. Installez le bloc-piles et fermez le couvercle du compartiment des piles.
6. Appuyez brièvement sur le bouton de mise sous tension/hors tension pour activer le ventilateur.
7. Appuyez sur le bouton de sélection du mode de brumisation pour lancer le processus de brumisation :
 - Appuyez une fois sur le bouton de sélection du mode de brumisation, et l'indicateur de brumisation s'allumera en vert (une lumière) pour indiquer le mode de brumisation « continu » – brumisation tout le temps, sans arrêt.

AVIS : Il peut prendre environ 15 secondes avant que vous ne voyiez réellement la brume sortir des buses de brumisation la première fois. Ce délai est dû au temps nécessaire pour que l'eau s'écoule du seau d'eau vers les buses.

- Appuyez à nouveau sur le bouton de sélection du mode de brumisation, et l'indicateur de brumisation s'allumera avec deux lumières vertes qui indiquent le mode « intermittent » – brumisation pendant 5 s toutes les 10 s.

- Lorsque la brumisation est en mode continu, appuyez à nouveau sur le bouton de sélection du mode de brumisation ; les voyants lumineux de brumisation s'éteindront et la brumisation s'arrêtera.

AVIS : Lorsque l'opération de brumisation est terminée, sortez le tube d'admission de l'eau et faites fonctionner le ventilateur en mode de brumisation jusqu'à ce que toute l'eau soit évacuée du tube. Cela permet d'éviter que l'eau résiduelle dans le tube ne provoque un brouillard inattendu lorsque le ventilateur est remis en marche.

UTILISATION DU VENTILATEUR SANS BRUMISATION

Si vous le souhaitez, ce produit peut être utilisé comme un ventilateur uniquement, lorsqu'il n'est pas connecté à une source d'alimentation en eau. Lorsqu'il n'est pas utilisé, placez toujours le tube d'admission dans sa zone de stockage (voir la section « **STOCKAGE** » de ce mode d'emploi) pour le protéger des dommages et de la contamination.

PROTECTION INTERNE

Lorsque la fonction de brumisation est activée mais qu'aucune brume ne sort :

- La pompe à eau continue de fonctionner pendant environ 90 s, puis elle s'arrête automatiquement pour protéger l'électronique interne.
- Selon le mode de brumisation, l'indicateur de brumisation affiche une ou deux lumières vertes continues pendant environ 90 s, puis il fait clignoter deux lumières vertes en continu pour alerter l'opérateur afin que celui-ci puisse :
 - a. Vérifier si le tube d'admission est correctement immergé dans l'eau.
 - b. Vérifier si la (les) buse(s) de brumisation est (sont) obstruée(s), et la (les) nettoyer en suivant les instructions du chapitre « **ENTRETIEN DES BUSES** ».
 - c. Appuyer sur le bouton de sélection du mode de brumisation pour relancer la brumisation.

ENTRETIEN

⚠ AVERTISSEMENT : Lors de toute réparation, n'utilisez que des pièces de rechange identiques. L'utilisation de toutes autres pièces de rechange pourrait créer un danger ou endommager le produit. Pour assurer la sécurité et la fiabilité, toutes les réparations doivent être effectuées par un technicien de service qualifié.

⚠ AVERTISSEMENT : Pour éviter des blessures graves, retirez toujours le bloc-piles de l'équipement lorsque vous le nettoyez ou quand vous effectuez des travaux de maintenance.

MAINTENANCE GÉNÉRALE

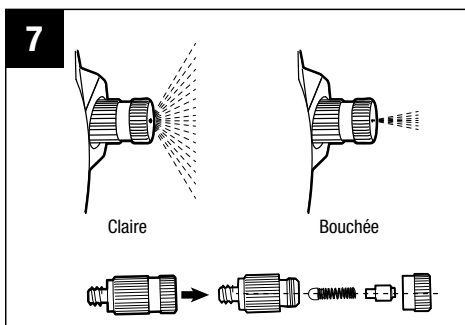
Évitez d'utiliser des solvants lorsque vous nettoyez des pièces en plastique. La plupart des plastiques sont susceptibles d'être endommagés par divers types de solvants commerciaux, et ils pourraient l'être si vous les utilisez. Utilisez un chiffon propre pour retirer les saletés, la poussière, l'huile, la graisse, etc.

⚠ AVERTISSEMENT : Ne laissez jamais de liquide de frein, d'essence, de produits à base de pétrole, d'huiles pénétrantes, etc. entrer en contact avec des composants en plastique. Les produits chimiques peuvent endommager, affaiblir ou détruire le plastique, ce qui pourrait causer des blessures graves.

ENTRETIEN DE LA BUSE (Fig. 7)

⚠ AVERTISSEMENT : Veillez à ce que l'entretien des buses de brumisation soit effectué correctement pour éviter les fuites d'eau. Ces fuites peuvent rendre la surface glissante et créer un risque de glissade et de chute ou causer des dommages matériels.

Un brouillard irrégulier ou des fuites peuvent être le résultat d'une buse obstruée ou sale.



Pour dégager les buses

1. Désactivez le ventilateur et retirez le bloc-piles.
2. Retirez les buses de brumisation en laiton obstruées de la grille de protection avant de l'enceinte du ventilateur en les faisant tourner dans le sens contraire des aiguilles d'une montre.
3. Démontez chaque buse concernée en pièces individuelles.
4. **Pour éliminer les particules étrangères** qui obstruent ou restreignent les buses, rincez les parties de la buse avec de l'eau. **Pour éliminer l'accumulation de tartre (minéraux)**, nettoyez les parties de la buse avec du vinaigre blanc ou un autre produit détartrant si nécessaire.
5. Remontez les buses.

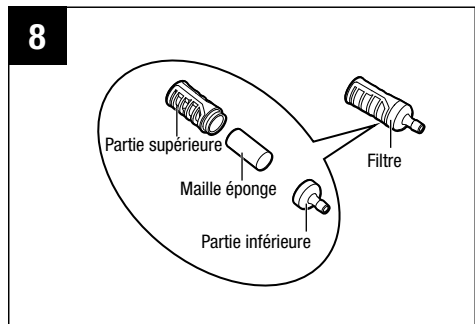
AVIS : Pour éviter toute obstruction, veillez à ce que la buse soit assemblée exactement comme indiqué à la Fig. 7.

6. Fixez à nouveau les buses de nettoyage sur le dispositif de protection à l'avant de la grille.

ENTRETIEN DU FILTRE (Fig. 8)

Examinez périodiquement le filtre situé à l'extrémité du tube d'admission pour vous assurer qu'il est en bon état.

1. Retirez le filtre du tube d'admission.
2. Dévissez le filtre en plusieurs parties et retirez la maille éponge.
3. Rincez la maille éponge ou remplacez-la si nécessaire.
4. Remontez le filtre et reconnectez-le au tube d'admission.

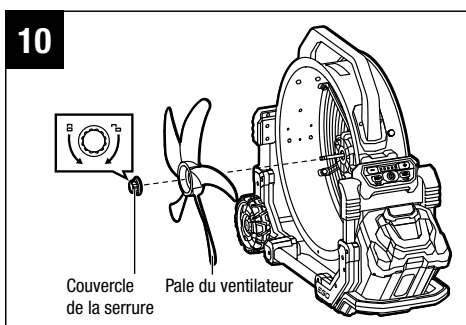
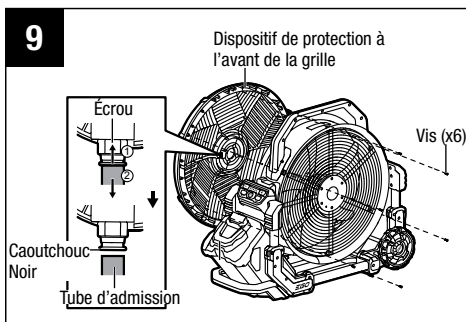


ENTRETIEN DE L'ENCEINTE DU VENTILATEUR (Fig. 9 & Fig. 10)

1. Désactivez le ventilateur et retirez le bloc-piles.
2. Desserrez et retirez les six vis pour soulever PARTIELLEMENT le dispositif de protection à l'avant de la grille de l'enceinte du ventilateur.

⚠ MISE EN GARDE : Pour éviter tout dommage, ne retirez pas complètement le dispositif de protection à l'avant de la grille sans déconnecter le tube d'admission EN PREMIER.

3. Appuyez sur le caoutchouc noir à l'extrémité de l'écrou pour retirer le tube d'admission.

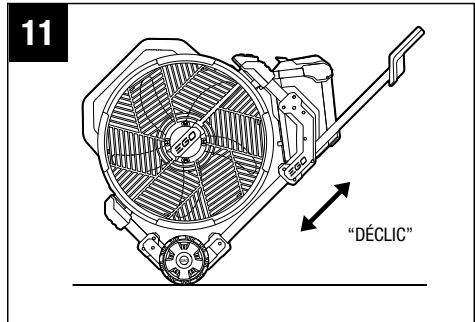


4. Retirez complètement le dispositif de protection à l'avant de la grille.
5. Faites tourner le couvercle de verrouillage de la pale du ventilateur dans le sens des aiguilles d'une montre pour libérer la pale du ventilateur de l'arbre.
6. Retirez la pale du ventilateur.
7. Nettoyez la pale du ventilateur et l'intérieur de l'enceinte si nécessaire.
8. Remontez-les dans l'ordre inverse, et assurez-vous que :
 - le tube d'admission est correctement raccordé à l'écrou.
 - le tube d'admission est placé correctement dans la fente du dispositif de protection de la grille.

TRANSPORT

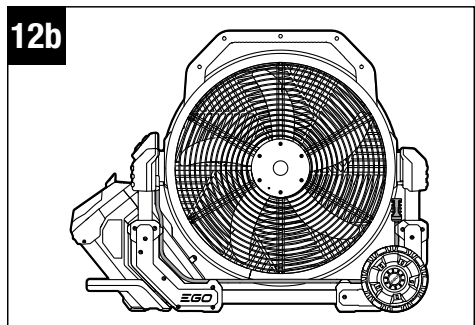
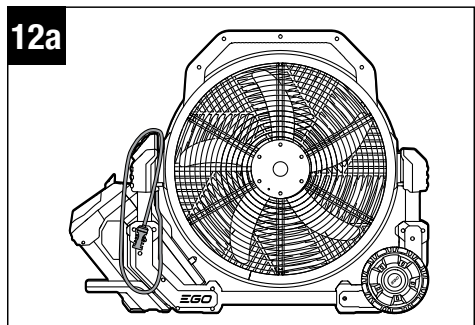
⚠ AVERTISSEMENT : Retirez toujours le bloc-piles du ventilateur avant de le transporter. Le retrait du bloc-piles empêchera une mise en marche accidentelle qui risquerait de causer des blessures graves.

- Le ventilateur est équipé d'une poignée supérieure permettant de le transporter pour des déplacements sur de courtes distances ou pour traverser des surfaces/terrains accidentés.
- Pour le transport sur de longues distances, utilisez la poignée télescopique pour faire rouler le ventilateur. Utilisez la poignée du haut pour incliner le ventilateur, puis tirez sur la poignée télescopique jusqu'à ce que vous entendiez un dé clic. Lorsque le manche télescopique n'est pas utilisé, poussez-le dans l'outil (Fig. 11).



RANGEMENT

1. Retirez le bloc-piles.
2. Nettoyez soigneusement le ventilateur.
3. Videz le tube d'admission et le filtre.
4. Placez le tube d'admission dans l'une des positions de rangement situées à l'arrière du ventilateur (Fig. 12a & Fig. 12b).
5. Rangez le ventilateur dans un endroit sec et bien aéré, verrouillé ou en hauteur, hors de portée des enfants. Ne rangez pas le ventilateur sur des engrais, de l'essence ou d'autres produits chimiques, ou à proximité de ceux-ci.



RECHERCHE DE LA CAUSE DES PROBLÈMES

| PROBLÈME | CAUSE | SOLUTION |
|--|---|--|
| L'outil ne démarre pas. | <ul style="list-style-type: none"> ■ Les piles du bloc-piles sont partiellement déchargées. ■ Le bloc-piles ou le ventilateur est trop chaud. | <ul style="list-style-type: none"> ■ Chargez le bloc-piles. ■ Éteignez le ventilateur et laissez le ventilateur et le bloc-piles refroidir. |
| Il n'y a pas de brumisation d'eau et l'indicateur de brumisation clignote avec deux lumières vertes. | <ul style="list-style-type: none"> ■ Le tube d'aspiration n'aspire pas d'eau, ce qui active le dispositif de protection interne de la pompe à eau à l'intérieur de l'outil. ■ La (les) buse(s) de brumisation s'est (se sont) bouchée(s) en cours de fonctionnement, ce qui a activé le dispositif de protection interne de la pompe à eau. | <ul style="list-style-type: none"> ■ Vérifiez et assurez-vous qu'il y a suffisamment d'eau dans le seau et que le tube d'admission est correctement immergé dans l'eau. ■ Nettoyez la ou les buses conformément au chapitre « ENTRETIEN DES BUSES », et remontez-les en suivant les instructions. |
| Une fuite d'eau se produit après l'entretien de l'enceinte du ventilateur. | <ul style="list-style-type: none"> ■ L'écrou de connexion avec le tube d'admission s'est desserré inopinément. | <ul style="list-style-type: none"> ■ Ouvrez l'enceinte du ventilateur conformément aux instructions du chapitre « ENTRETIEN DE L'ENCEINTE DU VENTILATEUR ». Inspectez et assurez-vous que l'écrou est complètement serré. |

GARANTIE

POLITIQUE D'EGO EN MATIÈRE DE GARANTIE

Garantie limitée de 5 ans sur les équipements d'alimentation électrique d'extérieur EGO POWER+ et les équipements d'alimentation électrique portable pour un usage personnel et domestique.

Garantie limitée de 3 ans sur les blocs-piles et chargeurs du système EGO POWER+ pour un usage personnel et domestique. Une extension de garantie supplémentaire de deux ans s'applique à la pile de 10,0 Ah/12,0 Ah, qu'elle soit vendue séparément (Modèle N° BA5600T/BA6720T) ou incluse avec un outil quelconque, à condition d'être enregistrée dans les 90 jours de l'achat. Garantie limitée de cinq ans sur le chargeur CHV1600, conçu pour être employé avec la tondeuse à conducteur porté à rayon de braquage zéro pour utilisation personnelle, résidentielle.

Garantie limitée de 2 ans/1 an sur les équipements d'alimentation électrique d'extérieur, les équipements d'alimentation électrique portables, les blocs-piles et les chargeurs EGO pour un usage professionnel et commercial.

La durée et les détails de la garantie de chaque produit sont indiqués en ligne à l'adresse <http://egopowerplus.com/warranty-policy>.

Veillez communiquer avec le service à la clientèle d'EGO au 1 855 EGO-5656 (numéro sans frais) pour toute question sur les réclamations au titre de la garantie.

GARANTIE LIMITÉE

Les produits EGO sont garantis contre tout défaut de matériel ou de fabrication à compter de la date d'achat d'origine pour la période de garantie applicable. Les produits défectueux recevront une réparation gratuite.

- a) Cette garantie s'applique uniquement à l'acheteur initial s'étant procuré le produit chez un détaillant EGO autorisé et est non transférable. La liste des détaillants EGO autorisés est publiée en ligne sur le site <http://egopowerplus.com/warranty-policy>.
- b) La période de garantie pour les produits remis en état ou certifiés par l'usine utilisés à des fins résidentielles est de 1 an, et de 90 jours lorsqu'ils sont utilisés à des fins industrielles, professionnelles ou commerciales.
- c) La période de garantie pour les pièces d'entretien de routine, telles que, mais sans s'y limiter, le siège de la tondeuse à conducteur porté, les roues, les pneus, les roues anti-scalp, le disque de frein, le bloc de friction, les lames, les têtes de coupe, les barres de chaîne, les chaînes de scie, les courroies, les barres de raclage, les palettes en caoutchouc, les tarières, les patins, les buses de soufflante et tous les autres accessoires EGO est de 90 jours à des fins résidentielles ou de 30 jours à des fins industrielles, professionnelles ou commerciales. Ces pièces sont couvertes pendant 90 ou 30 jours contre tout défaut de fabrication dans des conditions d'utilisation normales.

- d) La présente garantie n'est pas valide si le produit a été utilisé aux fins de location.
- e) La présente garantie ne couvre pas les dommages résultant d'une modification, d'une altération ou d'une réparation non autorisée.
- f) Cette garantie couvre uniquement les défauts survenant dans des conditions normales d'utilisation et ne couvre aucun dysfonctionnement ou défaut ni aucune défaillance découlant d'un usage inapproprié ou abusif (notamment la surcharge du produit et son immersion dans l'eau ou dans tout autre liquide), d'un accident, d'une négligence, d'une installation inadéquate et de tout entretien ou entreposage inadéquat.
- g) La présente garantie ne couvre pas la détérioration normale du fini extérieur, notamment les rayures, les bosselures, les craquelures de la peinture ou toute corrosion ou décoloration résultant de la chaleur, de produits abrasifs ou de nettoyeurs chimiques.

RÉCLAMATION AU TITRE DE LA GARANTIE

Pour faire une réclamation au titre de la garantie, veuillez communiquer avec le service à la clientèle d'EGO au **1 855 EGO-5656** (numéro sans frais). Lorsque vous faites une réclamation au titre de la garantie, vous devez présenter le reçu de vente original. Un centre de service autorisé sera sélectionné pour la réparation du produit conformément aux conditions de garantie prescrites. Il se peut qu'un petit dépôt soit exigé lorsque vous laissez votre outil dans un centre de service autorisé. Ce dépôt est remboursable lorsque le service de réparation est considéré comme étant couvert par la garantie.

RESTRICTIONS SUPPLÉMENTAIRES

Dans la mesure permise par la loi en vigueur, toutes les garanties implicites, y compris les garanties de QUALITÉ MARCHANDE ou D'ADÉQUATION À UN USAGE PARTICULIER, sont exclues. Toute garantie implicite, y compris la garantie de qualité marchande ou d'adéquation à un usage particulier, qui ne peut être rejetée en vertu de la loi de l'État ou de la province est limitée à la période de garantie applicable définie au début de cet article.

Chervon North America n'est pas responsable des dommages accessoires, consécutifs, indirects ou directs.

Certaines provinces n'autorisent pas les restrictions de durée de garantie implicite, ou l'exclusion ou la restriction des dommages consécutifs et accessoires; c'est pourquoi les restrictions ci-dessus peuvent ne pas s'appliquer à votre cas.

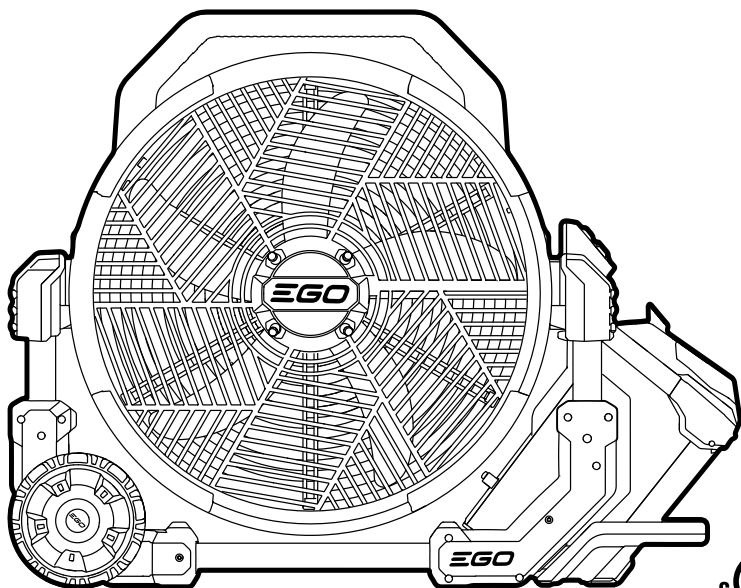
Cette garantie vous confère des droits précis. Il est possible que vous disposiez également d'autres droits, qui varient d'une province à l'autre.

Pour communiquer avec le service à la clientèle, veuillez composer le numéro sans frais suivant : **1 855 EGO-5656** ou consulter le site Web **EGOPOWERPLUS.COM**.

EGO Customer Service, 769 SEWARD AVE NW / Suite 102 Grand Rapids, MI 49504, États-Unis.

EGO™

POWER⁺ FAN



MANUAL DEL OPERADOR

VENTILADOR NEBULIZADOR INALÁMBRICO DE ION LITIO DE 56 V

MODELO NÚMERO FN1800/FN1800-FC

⚠ ADVERTENCIA: para reducir el riesgo de lesiones, el usuario debe leer y comprender el Manual del usuario antes de usar este producto. Guarde estas instrucciones para consultarlas en el futuro.

ÍNDICE

| | |
|--|-------|
| Declaración de La FCC. | 63 |
| Pautas de seguridad | 64 |
| Instrucciones de seguridad importantes | 65-71 |
| Introducción. | 72 |
| Especificaciones | 72 |
| Lista del paquete. | 73 |
| Descripción | 74-76 |
| Ensamblaje | 77-78 |
| Operación | 79-83 |
| Mantenimiento. | 84-87 |
| Resolución de problemas | 88 |
| Garantía | 89-91 |

DECLARACIÓN DE LA FCC

1. Este dispositivo cumple con la parte 15 de las Reglas de la FCC. Su utilización está sujeta a las dos condiciones siguientes:
 - 1) Este dispositivo no podrá causar interferencia perjudicial.
 - 2) Este dispositivo debe aceptar cualquier interferencia recibida, incluyendo interferencia que pueda causar un funcionamiento no deseado.
2. Los cambios o modificaciones no aprobados expresamente por la parte responsable del cumplimiento de la normativa podrían anular la autoridad del usuario para utilizar el equipo.

AVISO: Este equipo ha sido sometido a pruebas y se ha comprobado que cumple con los límites para un dispositivo digital de Clase B, conforme a la Parte 15 de las Reglas de la FCC. Estos límites están diseñados para proporcionar una protección razonable contra la interferencia perjudicial en una instalación residencial. Este equipo genera, utiliza y puede emitir energía de radiofrecuencia y, si no se instala y utiliza de acuerdo con las instrucciones, es posible que cause interferencia perjudicial para las radiocomunicaciones. Sin embargo, no hay garantía de que no vaya a ocurrir interferencia en una instalación específica. Si este equipo causa interferencia perjudicial para la recepción de radio o televisión, lo cual se puede determinar apagando y encendiendo el equipo, se insta al usuario a intentar corregir la interferencia mediante una o más de las siguientes medidas: Reoriente o reubique la antena receptora. Aumente la separación entre el equipo y el receptor. Conecte el equipo a un tomacorriente de un circuito diferente al circuito al cual está conectado el receptor. Consulte al distribuidor o a un técnico de radio/TV que tenga experiencia para obtener ayuda.

¡LEA TODAS LAS INSTRUCCIONES!



LEA Y COMPRENDA
EL MANUAL DEL OPERADOR

PAUTAS DE SEGURIDAD

SÍMBOLOS DE SEGURIDAD

El fin de los símbolos de seguridad es alertarlo sobre posibles peligros. Los símbolos de seguridad y las explicaciones que se dan merecen su atención y comprensión cuidadosa. Las advertencias del símbolo no eliminan por sí mismas ningún peligro. Las instrucciones y las advertencias no sustituyen las medidas adecuadas de prevención de accidentes.

⚠ ADVERTENCIA: Asegúrese de leer y entender todas las instrucciones de seguridad contenidas en este manual del operador, incluyendo todos los símbolos de alerta de seguridad, tales como “**PELIGRO**”, “**ADVERTENCIA**” y “**PRECAUCIÓN**”, antes de utilizar esta herramienta. Si no se siguen todas las instrucciones que se indican a continuación, es posible que el resultado sea descargas eléctricas, incendio y/o lesiones corporales graves.

MENSAJES DE PREVENCIÓN E INFORMACIÓN DE DAÑOS



Estos mensajes ofrecen al usuario información e/o instrucciones importantes que hay que seguir para no causar daños al equipo u otros daños materiales. Cada mensaje va precedido por la palabra “**AVISO**”, como en el ejemplo que aparece a continuación:

AVISO: Es posible que ocurran daños al equipo y/o daños materiales si no se siguen estas instrucciones.

INSTRUCCIONES DE SEGURIDAD IMPORTANTES

Esta página muestra y describe los símbolos de seguridad que es posible que aparezcan en este producto. Lea, entienda y siga todas las instrucciones que se encuentran en la máquina antes de intentar ensamblarla y utilizarla.

| | | |
|--|---------------------------------------|--|
| | Alerta de seguridad | Precauciones relacionadas con la seguridad del usuario |
| | Lea y entienda el manual del operador | Para reducir el riesgo de lesiones, el usuario debe leer y entender el manual del operador antes de utilizar este producto. |
| | Quemaduras químicas | Para reducir el riesgo de lesiones o daños, NO UTILICE ÁCIDOS, ÁLCALIS, BLANQUEADORES, SOLVENTES, MATERIAL INFLAMABLE O SOLUCIONES DE CALIDAD INDUSTRIAL en este producto. |
| | Situación de lluvia | No exponga la unidad a la lluvia. |
| | Superficie resbalosa | Las conexiones incorrectas de la manguera y/o las fugas pueden causar un peligro de resbalones y caídas. |
| | Pelo largo | Si no se mantiene el pelo largo alejado de la entrada de aire, el resultado podría ser lesiones corporales. |
| | Paletas del ventilador | El contacto con las paletas del ventilador en movimiento puede causar lesiones corporales graves. |

| | | |
|---|--|---|
|  | <p>Símbolos de reciclaje</p> | <p>Este producto utiliza baterías de ion litio (ion Li). Es posible que las leyes locales, estatales o federales prohíban la eliminación de las baterías en la basura ordinaria. Consulte a su autoridad local de eliminación de residuos para obtener información acerca de las opciones de reciclaje y/o eliminación disponibles.</p> |
| <p>IPX4</p> | <p>Grado de protección contra la penetración</p> | <p>Protección contra las salpicaduras de agua</p> |
|  | <p>Corriente continua</p> | <p>Tipo o característica de corriente</p> |
| <p>V</p> | <p>Voltio</p> | <p>Tensión</p> |
| <p>cm</p> | <p>Centímetro</p> | <p>Longitud o tamaño</p> |
| <p>in</p> | <p>pulgada</p> | <p>Longitud o tamaño</p> |
| <p>km/h</p> | <p>Kilómetros por hora</p> | <p>Velocidad</p> |
| <p>MPH</p> | <p>Millas por hora</p> | <p>Velocidad</p> |
| <p>CFM</p> | <p>Pies cúbicos por minuto</p> | <p>Volumen de aire</p> |
| <p>L/h</p> | <p>Litros por hora</p> | <p>Caudal</p> |
| <p>GPH</p> | <p>Galones por hora</p> | <p>Caudal</p> |
| <p>°F</p> | <p>Fahrenheit</p> | <p>Temperatura</p> |
| <p>°C</p> | <p>Celsius</p> | <p>Temperatura</p> |
| <p>lb</p> | <p>Libra</p> | <p>Peso</p> |
| <p>kg</p> | <p>Kilogramo</p> | <p>Peso</p> |

ADVERTENCIAS GENERALES DE SEGURIDAD

Quando utilice un aparato eléctrico, se deberán seguir siempre precauciones básicas de seguridad, incluyendo las siguientes:

¡LEA TODAS LAS INSTRUCCIONES ANTES DE UTILIZAR ESTE PRODUCTO!

⚠ ADVERTENCIA: Para reducir el riesgo de incendio, descargas eléctricas o lesiones:

- **Conozca su ventilador nebulizador. Lea detenidamente el manual de instrucciones. Aprenda las aplicaciones y limitaciones del ventilador, así como los peligros potenciales específicos relacionados con este ventilador.** Al seguir esta norma se reducirá el riesgo de descargas eléctricas, incendio o lesiones graves.

SEGURIDAD EN EL ÁREA DE TRABAJO

- **No utilice el ventilador en atmósferas explosivas, tales como las existentes en presencia de líquidos, gases o polvos inflamables.**
- **Mantenga alejados a los niños y a los curiosos mientras utiliza un aparato eléctrico.** Las distracciones pueden hacer que usted pierda el control.
- **Tenga precaución cuando utilice la unidad en condiciones ventosas. Es posible que los vientos transporten las nebulizaciones hacia cableados o dispositivos eléctricos**
- **No exponga el aparato eléctrico a la lluvia ni a condiciones mojadas.** La entrada de agua en un aparato eléctrico aumentará el riesgo de descargas eléctricas.

SEGURIDAD PERSONAL

- **Manténgase alerta, fijese en lo que está haciendo y use el sentido común cuando utilice un aparato eléctrico. No utilice el aparato eléctrico cuando esté cansado, enojado o bajo la influencia de drogas, alcohol o medicamentos.** Es posible que un momento de desatención durante la utilización del aparato eléctrico tenga como resultado lesiones corporales graves.
- **Prevenga los arranques accidentales. Asegúrese de que el interruptor esté en la posición de apagado antes de conectar el aparato eléctrico al paquete de batería, levantar el aparato eléctrico o transportarlo.** Si se transporta el aparato eléctrico con el dedo en el interruptor o si se suministra corriente a un aparato eléctrico que tengan el interruptor en la posición de encendido se invita a que se produzcan accidentes.
- **Retire todas las llaves de ajuste o de tuerca antes de encender el aparato eléctrico.** Es posible que una llave de tuerca o de ajuste que se deje sujeta a una pieza rotativa del aparato eléctrico cause lesiones corporales.

- **No intente alcanzar demasiado lejos. Mantenga un apoyo de los pies y un equilibrio adecuados en todo momento.** Esto permite un mejor control del aparato eléctrico en situaciones inesperadas.
- **Vístase adecuadamente. No se ponga ropa holgada ni joyas. Mantenga el pelo y la ropa alejados de las piezas móviles.** La ropa holgada, las joyas o el pelo largo pueden quedar atrapados en las piezas móviles.
- **Verifique que todas las conexiones sean seguras antes de utilizar el aparato eléctrico.**
- **No deje que la familiaridad obtenida con el uso frecuente de los aparatos eléctricos le haga volverse complaciente e ignorar los principios de seguridad de los aparatos eléctricos.** Una acción descuidada puede causar lesiones graves en una fracción de segundo.

USO Y CUIDADO

- **No utilice el aparato eléctrico si el interruptor no lo enciende y apaga.** Cualquier aparato eléctrico que no se pueda controlar con el interruptor es peligroso y debe ser reparado.
- **Desconecte el paquete de batería del aparato eléctrico antes de hacer cualquier ajuste, cambiar accesorios o almacenar el aparato eléctrico.** Dichas medidas preventivas de seguridad reducen el riesgo de arrancar accidentalmente el aparato eléctrico.
- **Almacene el aparato eléctrico inactivo fuera del alcance de los niños y no deje que las personas que no estén familiarizadas con el aparato eléctrico o estas instrucciones utilicen dicho aparato.** Los aparatos eléctricos son peligrosos en las manos de usuarios que no hayan recibido capacitación.
- **Realice mantenimiento del aparato eléctrico y los accesorios. Compruebe si hay desalineación o atoramiento de las piezas móviles, rotura de piezas y cualquier otra situación que pueda afectar al funcionamiento del aparato eléctrico. Si el aparato eléctrico está dañado, haga que lo reparen antes de utilizarlo.** Muchos accidentes son causados por un aparato eléctrico que recibe un mantenimiento deficiente.
- **Utilice el aparato eléctrico y los accesorios, etc., de acuerdo con estas instrucciones, teniendo en cuenta las condiciones de trabajo y el trabajo que se vaya a realizar.** El uso del aparato eléctrico para operaciones distintas a las previstas podría causar una situación peligrosa.

- **Mantenga los mangos y las superficies de agarre secos, limpios y libres de aceite y grasa.** Los mangos resbalosos y las superficies de agarre resbalosas no permiten un manejo y un control seguros de la herramienta en situaciones inesperadas.

⚠ ADVERTENCIA: Para reducir el riesgo de incendio o descargas eléctricas, no utilice este ventilador con ningún dispositivo de control de velocidad de estado sólido.

USO Y CUIDADO DE LAS BATERÍAS

- **Realice la recarga solo con el cargador especificado por el fabricante.** Es posible que un cargador que sea adecuado para un tipo de paquete de batería cree un riesgo de incendio cuando se utilice con otro paquete de batería.
- **Utilice el aparato eléctrico solo con paquetes de batería designados específicamente.** Es posible que el uso de cualquier otro paquete de batería cree un riesgo de lesiones e incendio.
- **Utilice la unidad solo con los paquetes de batería y los cargadores que se indican a continuación.**

| PAQUETE DE BATERÍA | CARGADOR |
|--|---|
| BA1400, BA1400-FC, BA2800, BA2800-FC, BA4200, BA4200-FC, BA1400T, BA1400T-FC, BA2240T, BA2240T-FC, BA2242T, BA2242T-FC, BA2800T, BA2800T-FC, BA4200T, BA4200T-FC, BA5600T, BA5600T-FC, BA6720T, BA6720T-FC | CH2100, CH2100-FC, CH3200, CH3200-FC, CH5500, CH5500-FC, CH2800D, CH2800D-FC, CH7000, CH7000-FC |

- **Cuando el paquete de batería no se esté utilizando, manténgalo alejado de otros objetos metálicos, tales como clips sujetapapeles, monedas, llaves, clavos, tornillos u otros objetos metálicos pequeños, que puedan hacer una conexión de un terminal al otro.** Si se cortocircuitan juntos los terminales de la batería, es posible que se causen quemaduras o un incendio.
- **En condiciones abusivas es posible que se expulse líquido de la batería; evite el contacto. Si se produce contacto accidentalmente, enjuáguese con agua. Si el líquido entra en contacto con los ojos, obtenga además ayuda médica.** Es posible que el líquido expulsado de la batería cause irritación o quemaduras.
- **No utilice un paquete de batería o un aparato eléctrico que estén dañados o modificados.** Es posible que las baterías dañadas o modificadas exhiban un

comportamiento imprevisible que cause incendio, explosión o riesgo de lesiones.

- **No exponga un paquete de batería o un aparato eléctrico a un fuego o a una temperatura excesiva.** Es posible que la exposición a un fuego o a una temperatura superior a 265 °F (130 °C) cause una explosión.
- **Siga todas las instrucciones de carga y no cargue el paquete de batería ni el aparato eléctrico fuera del intervalo de temperatura especificado en las instrucciones.** Es posible que la realización de la carga de manera inadecuada o a temperaturas que estén fuera del intervalo especificado dañe la batería y aumente el riesgo de incendio.

SERVICIO DE AJUSTES Y REPARACIONES

- **Haga que su herramienta eléctrica reciba servicio de ajustes y reparaciones por un técnico de reparaciones calificado que utilice únicamente piezas de repuesto idénticas.** Esto garantizará que se mantenga la seguridad del aparato eléctrico.
- **No haga nunca servicio de ajustes y reparaciones de paquetes de batería dañados.** El servicio de ajustes y reparaciones de los paquetes de batería deberá ser realizado solo por el fabricante o por proveedores de servicio autorizados.

INSTRUCCIONES DE SEGURIDAD PARA EL VENTILADOR NEBULIZADOR INALÁMBRICO

- **No deje que el ventilador se utilice como un juguete.** Es necesario prestar atención especial cuando el ventilador sea utilizado por niños o cerca de los mismos.
- **Los niños pueden caer en las cubetas y ahogarse.** Mantenga a los niños alejados de las cubetas que contengan incluso una pequeña cantidad de líquido.
- **Use SOLO agua limpia y fría.**
- **No utilice este ventilador nebulizador para rociar pesticidas, fertilizantes líquidos, sustancias químicas o cualquier líquido que no sea agua limpia.** Si se rocian estas sustancias, el resultado podría ser lesiones graves o enfermedad al operador o a las personas que estén presentes.
- **No dirija nunca la nebulización o el agua hacia cualquier cableado o dispositivo eléctrico.**
- **Asegúrese de que la cubierta del compartimiento de la batería esté completamente cerrada para impedir que el agua entre en contacto con la batería o que entre en el puerto para la batería.**

- **Mantenga el aparato eléctrico y su mango secos, limpios y libres de aceite y grasa. Utilice siempre un paño limpio cuando limpie. No utilice nunca líquidos de freno, gasolina, productos a base de petróleo o cualquier solvente fuerte para limpiar su ventilador.** Al seguir esta regla se reducirá el riesgo de pérdida de control y deterioro de la carcasa de plástico.
- **Las baterías pueden explotar en presencia de una fuente de ignición, como por ejemplo una luz piloto. Para reducir el riesgo de lesiones graves, no utilice nunca un producto inalámbrico en presencia de una llama al descubierto. Una batería que explote puede propulsar residuos y sustancias químicas.** En caso de exposición, enjuáguese con agua de inmediato.
- **Guarde estas instrucciones.** Consúltelas frecuentemente y utilícelas para instruir a otras personas que puedan utilizar este ventilador. Si le presta este ventilador a otra persona, préstele también estas instrucciones para evitar un uso incorrecto del producto y posibles lesiones.

¡GUARDE ESTAS INSTRUCCIONES!

INTRODUCCIÓN


Felicitaciones por su selección del nuevo VENTILADOR NEBULIZADOR EGO DE ION LITIO DE 56 V. Este ventilador ha sido diseñado, concebido y fabricado para ofrecerle a usted la mejor confiabilidad y el mejor rendimiento posibles.

En el caso de que tenga cualquier problema que no pueda remediar fácilmente, sírvase contactar al centro de servicio al cliente de EGO llamando al 1-855-EGO-5656.

Este manual contiene información importante sobre el ensamblaje, la utilización y el mantenimiento seguros de su producto. Léalo detenidamente antes de utilizar el producto. Tenga este manual al alcance de la mano para poder consultarlo en cualquier momento.

NÚMERO DE SERIE _____ FECHA DE COMPRA _____
DEBE ANOTAR EL NÚMERO DE SERIE Y LA FECHA DE COMPRA Y CONSERVARLOS EN UN LUGAR SEGURO PARA CONSULTARLOS EN EL FUTURO.

ESPECIFICACIONES

| | |
|---|--|
| Tensión | 56 V  |
| Diámetro de las paletas del ventilador | 18 in (45.7 cm) |
| Ajustes de velocidad del ventilador | 6 (incluyendo "Turbo") |
| Volumen de aire máx. | 5000 CFM |
| Velocidad del aire máx. | 23.5 MPH (37.8 km/h) |
| Volumen de agua de nebulización | I: 1.2 GPH (4.5 L/h) |
| | II: 3.0 GPH (11.4 L/h) |
| Temperatura de funcionamiento recomendada | 50°F-104°F(10°C-40°C) |
| Temperatura de almacenamiento recomendada | -4°F-158°F(-20°C-70°C) |
| Peso (sin paquete de batería) | 22.9 lb. (10.4 kg) |

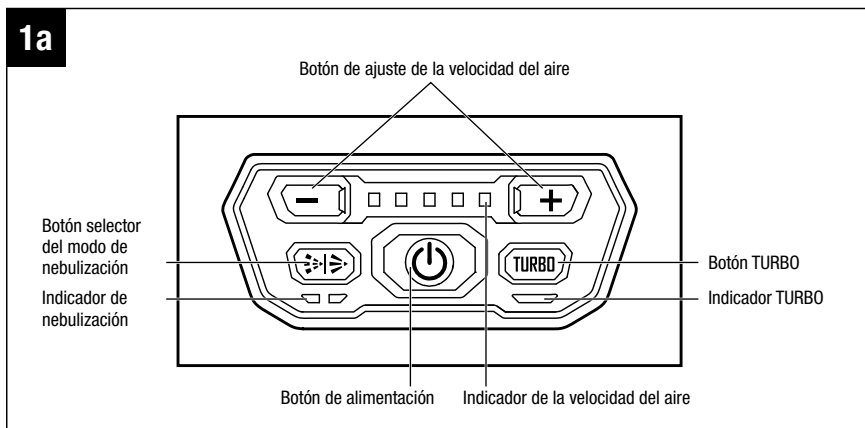
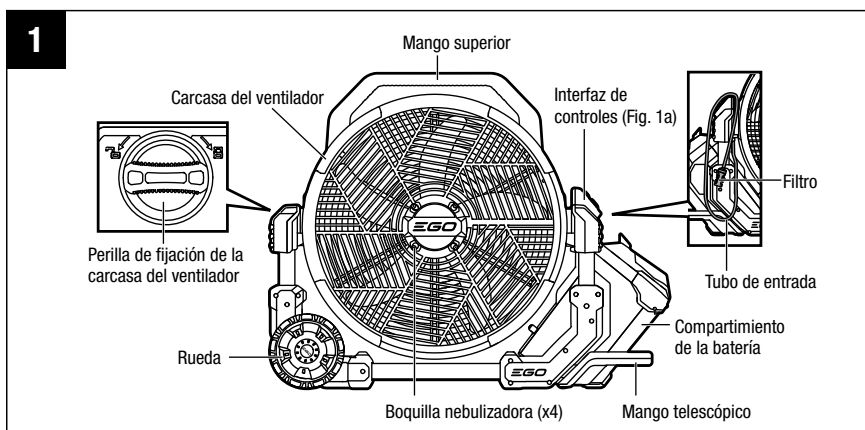
LISTA DEL PAQUETE

| NOMBRE DE LA PIEZA | | CANTIDAD |
|-------------------------------|-----------------------|----------|
| Ventilador nebulizador | | 1 |
| Ensamblaje de rueda | Rueda | 2 |
| | Tapa de la maza | 2 |
| | Tornillo con arandela | 2 |
| Ensamblaje del mango superior | Mango superior | 1 |
| | Tornillo con arandela | 4 |
| Llave de tuerca | | 1 |
| Boquilla de repuesto | | 1 |
| Manual del operador | | 1 |

DESCRIPCIÓN

CONOZCA SU FAN (Fig. 1 y Fig. 1a)

El uso seguro de este producto requiere entender la información que está impresa en la herramienta y en este manual de instrucciones, así como tener conocimiento del proyecto que se esté intentando realizar. Antes de utilizar este producto, familiarícese con todas las características de funcionamiento y todas las normas de seguridad.



MANGO SUPERIOR

Utilice el mango superior para levantar el ventilador del piso. Este mango se utiliza normalmente para el transporte a corta distancia o al cruzar terrenos/superficies desiguales.

MANGO TELESCÓPICO

Jale hacia fuera el mango telescópico para hacer rodar fácilmente el ventilador hasta el lugar deseado. Este mango se utiliza normalmente para el transporte a larga distancia.

RUEDAS

Las ruedas se utilizan para hacer rodar rápidamente el ventilador.

CARCASA DEL VENTILADOR

La carcasa del ventilador ajustable puede pivotar hacia delante hasta 90° y hacia detrás hasta 135°.

PERILLA DE FIJACIÓN DE LA CARCASA DEL VENTILADOR

Fija la carcasa del ventilador ajustable a un ángulo deseado.

TUBO DE ENTRADA

Proporciona un camino del flujo de agua para la nebulización.

FILTRO

Filtra el agua antes de que fluya hacia el interior del tubo de entrada para ser nebulizada.

BOQUILLAS NEBULIZADORAS

Rocían nebulización de agua.

COMPARTIMIENTO DE LA BATERÍA

Diseñado para proteger el paquete de batería contra las nebulizaciones y las gotas de agua.

BOTÓN DE ALIMENTACIÓN

ENCIENDE y APAGA el ventilador.

BOTÓN DE AJUSTE DE LA VELOCIDAD DEL AIRE

Permite al operado seleccionar una velocidad de aire cómoda.

INDICADOR DE LA VELOCIDAD DEL AIRE

El número de luces verdes muestra el nivel de velocidad del aire actual.

BOTÓN TURBO

Cuando se presione el botón, el ventilador cambiará al modo “TURBO”, es decir, la velocidad del aire más alta.

INDICADOR TURBO

Muestra una luz verde cuando el ventilador funciona a la velocidad del aire más alta.

BOTÓN SELECTOR DEL MODO DE NEBULIZACIÓN

Presione el botón una, dos o tres veces para hacer que el ventilador funcione con nebulización continua, con nebulización intermitente o sin nebulización, respectivamente.

INDICADOR DE NEBULIZACIÓN

Muestra una luz verde, dos luces verdes o no muestra ninguna luz, para indicar que el ventilador está funcionando con nebulización continua, con nebulización intermitente o sin nebulización, respectivamente.

ENSAMBLAJE

⚠ ADVERTENCIA: Si cualquiera de las piezas está dañada o falta, no utilice este producto hasta que las piezas hayan sido reemplazadas. La utilización de este producto con piezas dañadas o si le faltan piezas podría causar lesiones corporales graves.

⚠ ADVERTENCIA: No intente modificar este producto ni crear accesorios no recomendados para utilizarse con el mismo. Cualquiera de dichas alteraciones o modificaciones constituye un uso incorrecto y podría provocar una situación peligrosa que cause posibles lesiones graves.

⚠ ADVERTENCIA: Retire siempre el paquete de batería del producto cuando esté ensamblando piezas, haciendo ajustes, realizando limpieza o cuando el producto no se esté utilizando. La retirada del paquete de batería prevendrá los arranques accidentales que podrían causar lesiones corporales graves.

DESEMPAQUETADO

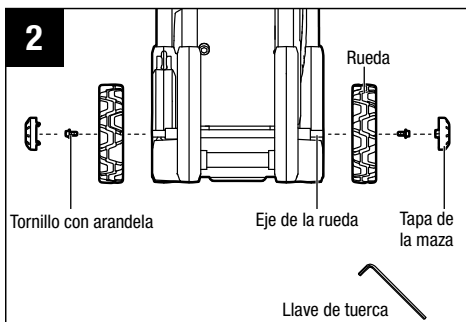
- Este producto requiere ensamblaje.
- Saque cuidadosamente el producto y todos los accesorios de la caja. Asegúrese de que todos los artículos incluidos en la lista de empaquetamiento estén incluidos.

⚠ ADVERTENCIA: No utilice este producto si cualquiera de las piezas incluidas en la lista de empaquetamiento ya está ensamblada en su producto cuando lo desempaque. Las piezas incluidas en esta lista no son ensambladas en el producto por el fabricante y requieren instalación por el cliente. El uso de un producto que pueda haber sido ensamblado incorrectamente podría tener como resultado lesiones corporales graves.

- Inspeccione minuciosamente la herramienta para asegurarse de que no se hayan producido roturas o daños durante el envío.
- No deseche el material de empaquetamiento hasta que haya inspeccionado minuciosamente y utilizado satisfactoriamente la herramienta.
- Si cualquier pieza está dañada o falta, sírvase devolver el producto al lugar de compra.

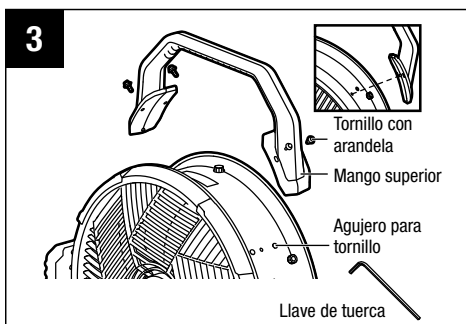
ENSAMBLAJE DE LAS RUEDAS (Fig. 2)

1. Alinee el agujero de una de las ruedas con el eje de la rueda del ventilador y monte la rueda en el eje.
2. Pase uno de los tornillos de la rueda través del agujero de la rueda y hacia el interior del eje de la rueda, y luego apriete el tornillo con la llave de tuerca suministrada.
3. Acople a presión la tapa de la maza en la rueda.
4. Ensamble la otra rueda siguiendo los pasos 1 – 3 que anteceden.



INSTALACIÓN DEL MANGO SUPERIOR (Fig. 3)

1. Alinee los cuatro tornillos suministrados con los agujeros ubicados en el mango superior y los agujeros ubicados en la carcasa del ventilador.
2. Inserte los tornillos y apriételos con la llave de tuerca suministrada.



OPERACIÓN

⚠ ADVERTENCIA: No deje que la familiaridad con este producto le haga volverse descuidado. Recuerde que una fracción de segundo de descuido es suficiente para causar lesiones graves.

⚠ ADVERTENCIA: No utilice aditamentos o accesorios no recomendados por el fabricante de este producto. El uso de aditamentos o accesorios no recomendados puede causar lesiones corporales graves. Antes de cada uso, inspeccione todo el producto para determinar si hay piezas dañadas, si faltan piezas o si hay piezas flojas, tales como tornillos, tuercas, pernos, tapas, etc. Apriete firmemente todos los sujetadores y todas las tapas, y no utilice este producto hasta que todas las piezas que falten o estén dañadas hayan sido reemplazadas.

⚠ ADVERTENCIA: Retire siempre el paquete de batería del producto cuando esté ensamblando piezas, haciendo ajustes, limpiando o cuando no se esté utilizando. La remoción del paquete de batería prevendrá los arranques accidentales que podrían causar lesiones corporales graves.

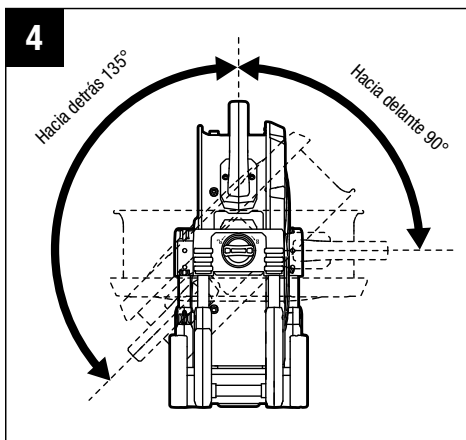
APLICACIÓN

Usted podrá utilizar este producto para los fines que se indican a continuación:

- Ventilación general en la mayoría de las aplicaciones domésticas
- Enfriamiento a la intemperie mientras esté conectado a una fuente de agua

AJUSTE DEL ÁNGULO DEL VENTILADOR (FIG. 4)

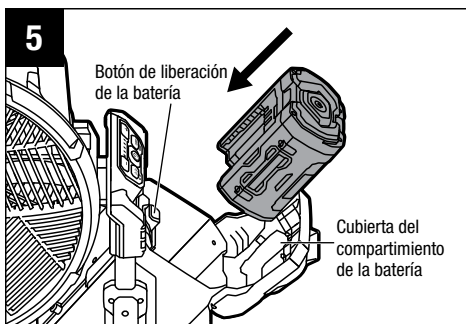
1. Agarre el mango superior para sujetar la carcasa del ventilador.
2. Rote la perilla de fijación de la carcasa del ventilador en sentido contrario al de las agujas del reloj para aflojar la carcasa del ventilador.
3. Incline la carcasa del ventilador ajustable hacia delante o hacia atrás hasta el ángulo que desee. El ventilador puede pivotar hasta 90° hacia delante y hasta 135° hacia detrás.
4. Rote la perilla de fijación en el sentido de las agujas del reloj para fijar la carcasa del ventilador en el ángulo que desee.



PARA INSTALAR/DESINSTALAR EL PAQUETE DE BATERÍA (FIG. 5)

CARGUE EL PAQUETE DE BATERÍA ANTES DEL PRIMER USO

1. Jale la cubierta del compartimiento de la batería para que se abra.
2. **Para instalar el paquete de batería**, alinee las costillas del paquete de batería con las ranuras de montaje ubicadas en el compartimiento de la batería y luego presione el paquete de batería hacia el interior del compartimiento de la batería hasta que se acople a presión en la posición correcta.
Para desinstalar el paquete de batería, presione el botón de liberación de la batería para liberar el paquete de batería y luego levante dicho paquete hasta sacarlo del compartimiento de la batería.
3. Empuje la cubierta del compartimiento de la batería para cerrarla. Asegúrese de que esté completamente cerrada para impedir que el agua entre en contacto con la batería o que entre al puerto para la batería.



PARA ARRANCAR/PARAR EL VENTILADOR NEBULIZADOR

AVISO: El ajuste inicial de fábrica para la velocidad de aire es el nivel 3. El ventilador almacenará el último ajuste de velocidad utilizado y revertirá a dicho ajuste al rearrancar.

IMPORTANTE: El ajuste Turbo no se almacenará.

AVISO: El ajuste de nebulización no se almacenará y de manera predefinida estará apagado cada vez que se encienda el ventilador.

BOTÓN DE ALIMENTACIÓN

- Presione brevemente el botón de alimentación para ENCENDER el ventilador.
- Presione brevemente de nuevo el botón de alimentación para APAGAR el ventilador.

AJUSTE DE LA VELOCIDAD DEL AIRE

Velocidad de aire normal

- Presione el botón “+” para aumentar la velocidad del aire y presione el botón “-” para reducir la velocidad del aire. Hay 5 niveles de velocidad.
- El indicador de la velocidad del aire muestra luces verdes correspondientes a los niveles de velocidad actuales.

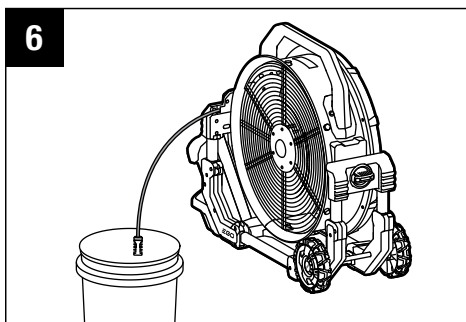
Modo TURBO

- Presione el botón “TURBO”. El indicador **TURBO** se iluminará en verde y el ventilador cambiará al modo “TURBO”, es decir, la velocidad de aire más alta.
- Cuando esté en el modo “TURBO”, presione de nuevo el botón “TURBO”. El indicador **TURBO** se apagará y el ventilador retomará la velocidad del aire activa previamente.
- Cuando esté en el modo “TURBO”, presione el botón “-”. El indicador **TURBO** se apagará y el ventilador cambiará al nivel de velocidad del aire 5.

FUNCIÓN DE NEBULIZACIÓN

UTILIZACIÓN DEL VENTILADOR CON UNA CUBETA DE AGUA (NO INCLUIDA) (FIG. 6)

⚠ ADVERTENCIA: Los niños pueden caer en las cubetas y ahogarse. Mantenga a los niños alejados de las cubetas que contengan incluso una pequeña cantidad de líquido.



AVISO: Limpie la cubeta con agua y jabón antes de cada uso.

1. Desconecte el paquete de batería.
2. Coloque la cubeta sobre una superficie plana y nivelada.
3. Añada SOLO agua limpia y fría a la cubeta. No la llene excesivamente.
4. Sumerja el extremo con filtro del tubo de entrada bajándolo hacia la cubeta de agua.

AVISO: No doble el tubo de entrada y asegúrese siempre de que el agua fluya suavemente a través del tubo.

5. Instale el paquete de batería y cierre la cubierta del compartimiento de la batería.
6. Presione el botón de alimentación para ENCENDER el ventilador.
7. Presione el botón selector del modo de nebulización para iniciar la nebulización:
 - Presione una vez el botón selector del modo de nebulización y el indicador de nebulización encenderá una luz verde que indica el modo de nebulización “continuo”, es decir, nebulización todo el tiempo sin parar.

AVISO: Es posible que tome alrededor 15 segundos antes de que usted vea realmente que la nebulización sale de las boquillas nebulizadoras por primera vez. Esta demora se debe al tiempo que se requiere para que el agua fluya desde la cubeta de agua hasta las boquillas.

- Presione de nuevo el botón selector del modo de nebulización y el indicador de nebulización encenderá dos luces verdes, que indican el modo “intermitente”, es decir, nebulización durante 5 s cada 10 s.

- Cuando la nebulización esté en modo continuo, presione de nuevo el botón selector del modo de nebulización y las luces del indicador de nebulización se apagarán y la nebulización se detendrá.

AVISO: Cuando se haya terminado la operación de nebulización, jale el tubo de entrada para sacarlo del agua y tenga el ventilador en funcionamiento en el modo de nebulización hasta que toda el agua salga del tubo. Esto ayuda a impedir que el agua residual contenida en el tubo cause una nebulización inesperada al arrancar de nuevo el ventilador.

UTILIZACIÓN DEL VENTILADOR SIN NEBULIZACIÓN

Si se desea, este producto se puede utilizar solo como ventilador, cuando no esté conectado a una fuente de agua. Cuando no se esté utilizando, coloque siempre el tubo de entrada en su área de almacenamiento (consulte la sección “**ALMACENAMIENTO**” de este manual) para protegerlo contra los daños y la contaminación.

PROTECCIÓN INTERNA

Cuando la función de nebulización esté activada, pero no salga nebulización de agua:

- La bomba de agua seguirá funcionando durante aproximadamente 90 s y luego se detendrá automáticamente para proteger los componentes electrónicos internos.
- Dependiendo del modo de nebulización, el indicador de nebulización mostrará una o dos luces verdes continuas durante aproximadamente 90 s y luego hará parpadear dos luces verdes continuamente como alerta para que el operador:
 - a. Compruebe si el tubo de entrada está sumergido adecuadamente en agua.
 - b. Compruebe si la boquilla o boquillas de nebulización están obstruidas y las limpie de acuerdo con el capítulo “**MANTENIMIENTO DE LAS BOQUILLAS**”.
 - c. Presione el botón selector del modo de nebulización para reiniciar la nebulización.

MANTENIMIENTO

⚠ ADVERTENCIA: Cuando haga servicio de ajustes y reparaciones, utilice solo piezas de repuesto idénticas. Es posible que el uso de cualquier otra pieza cree un peligro o cause daños al producto. Para garantizar la seguridad y la confiabilidad, todas las reparaciones deberán ser realizadas por un técnico de servicio calificado.

⚠ ADVERTENCIA: Para evitar lesiones corporales graves, retire siempre el paquete de batería del producto cuando efectúe limpieza o realice cualquier mantenimiento.

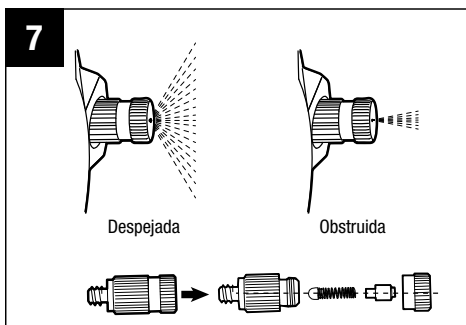
MANTENIMIENTO GENERAL

Evite utilizar solventes cuando limpie piezas de plástico. La mayoría de los plásticos son susceptibles de sufrir daños causados por diversos tipos de solventes comerciales y es posible que resulten dañados por su uso. Use un paño limpio para retirar la suciedad, el polvo, el aceite, la grasa, etc.

⚠ ADVERTENCIA: No deje en ningún momento que líquidos de freno, gasolina, productos a base de petróleo, aceites penetrantes, etc., entren en contacto con las piezas de plástico. Las sustancias químicas pueden dañar, debilitar o destruir el plástico, lo cual puede causar lesiones corporales graves.

MANTENIMIENTO DE LAS BOQUILLAS (Fig. 7)

⚠ ADVERTENCIA: Asegúrese de que todo el mantenimiento de las boquillas nebulizadoras sea realizado adecuadamente para prevenir las fugas de agua. Las fugas pueden tener como resultado una superficie resbalosa que cree un peligro de resbalones y caídas o cause daños materiales. Es posible que los patrones de nebulización irregulares o las fugas sean el resultado de una boquilla obstruida o sucia.



Para despejar las boquillas

1. Apague el ventilador y retire el paquete de batería.
2. Retire las boquillas nebulizadoras de latón obstruidas ubicadas en la rejilla protectora delantera del ventilador rotándolas en sentido contrario al de las agujas del reloj.
3. Desensamble en partes cada boquilla afectada.
4. **Para retirar todas las partículas extrañas** que obstruyan o restrinjan las boquillas, enjuague con agua las partes de la boquilla. **Para retirar la acumulación de escamas (minerales)**, limpie las partes de la boquilla con vinagre blanco u otro agente desincrustante según sea necesario.
5. Reensamble las boquillas.

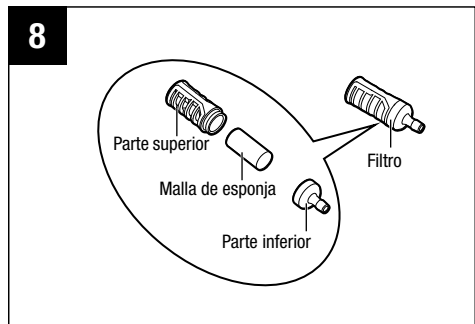
AVISO: Para prevenir las obstrucciones, asegúrese de que la boquilla se ensamble exactamente de la manera que se muestra en la Fig. 7.

6. Reinstale las boquillas limpias en la rejilla protectora delantera.

MANTENIMIENTO DEL FILTRO (Fig. 8)

Examine periódicamente el filtro ubicado en el extremo del tubo de entrada para asegurarse de que esté en buenas condiciones.

1. Jale el filtro para separarlo del tubo de entrada.
2. Desenrosque el filtro en partes y saque la malla de esponja.
3. Enjuague la malla de esponja o reemplácela si es necesario.
4. Reensamble el filtro y reconéctelo al tubo de entrada.

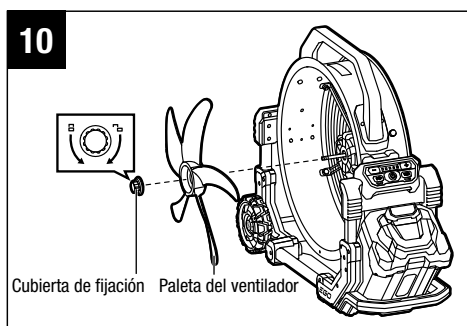
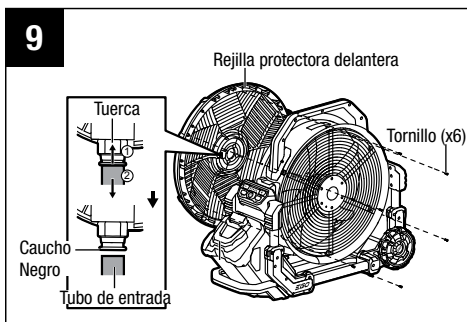


MANTENIMIENTO DE LA CARCASA DEL VENTILADOR (Fig. 9 y Fig. 10)

1. Apague el ventilador y retire el paquete de batería.
2. Afloje y retire los seis tornillos para levantar PARCIALMENTE la rejilla protectora delantera y separarla de la carcasa del ventilador.

⚠ PRECAUCIÓN: Para prevenir daños, no retire completamente la rejilla protectora delantera sin desconectar PRIMERO el tubo de entrada.

3. Presione el caucho negro ubicado en el extremo de la tuerca para jalar hacia fuera el tubo de entrada.

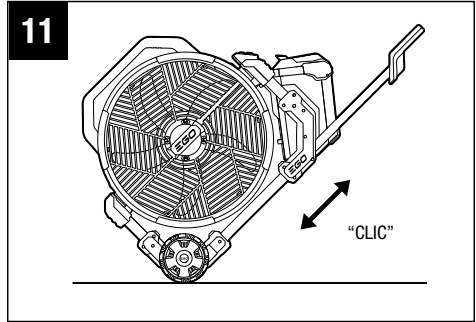


4. Retire completamente la rejilla protectora delantera.
5. Rote la cubierta de fijación de la paleta del ventilador en el sentido de las agujas del reloj para que la paleta del ventilador se libere del eje.
6. Retire la paleta del ventilador.
7. Limpie la paleta del ventilador y el interior de la carcasa según sea necesario.
8. Reensamble todo en orden inverso y asegúrese de que:
 - el tubo de entrada esté conectado adecuadamente a la tuerca.
 - el tubo de entrada esté colocado adecuadamente en la ranura ubicada en la rejilla protectora.

TRANSPORTE

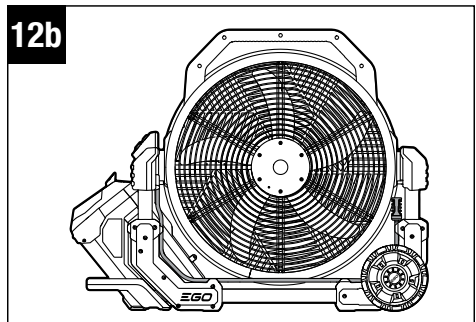
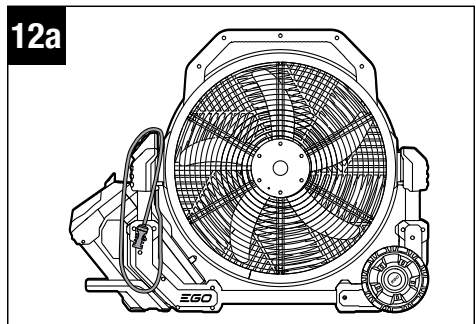
⚠ ADVERTENCIA: Retire siempre el paquete de batería del ventilador cuando lo transporte. Al retirar el paquete de batería se prevendrán los arranques accidentales que podrían causar lesiones corporales graves.

- El ventilador está equipado con un mango superior para transportarlo en viajes de corta distancia o para cruzar superficies/terrenos desiguales.
- Para el transporte a larga distancia, utilice el mango telescópico para hacer rodar el ventilador. Utilice el mango superior para inclinar el ventilador y luego jale hacia fuera el mango telescópico hasta que oiga un “clic”. Cuando no se utilice el mango telescópico, empújelo hacia dentro de la herramienta (Fig. 11).



ALMACENAMIENTO

1. Retire el paquete de batería.
2. Limpie minuciosamente el ventilador.
3. Vacíe el tubo de entrada y el filtro.
4. Coloque el tubo de entrada en cualquiera de las dos posiciones de almacenamiento ubicadas en la parte trasera del ventilador (Fig. 12a y Fig. 12b).
5. Almacene el ventilador en un área seca y bien ventilada, fuera del alcance de los niños. No almacene el ventilador sobre o junto a fertilizantes, gasolina u otras sustancias químicas.



RESOLUCIÓN DE PROBLEMAS

| PROBLEMA | CAUSA | SOLUCIÓN |
|---|--|--|
| La herramienta no funciona. | <ul style="list-style-type: none"> ■ Capacidad baja del paquete de batería. ■ El paquete de batería o el ventilador está demasiado caliente. | <ul style="list-style-type: none"> ■ Cargue el paquete de batería. ■ Apague el ventilador y deje que el ventilador y el paquete de batería se enfríen. |
| No hay nebulización de agua y el indicador de nebulización hace parpadear dos luces verdes. | <ul style="list-style-type: none"> ■ El tubo de entrada no succiona agua, con lo cual activa la protección interna de la bomba de agua dentro de la herramienta. ■ La boquilla o boquillas nebulizadoras se obstruyeron durante la utilización, activando la protección interna de la bomba de agua. | <ul style="list-style-type: none"> ■ Compruebe y asegúrese de que haya suficiente agua en la cubeta y que el tubo de entrada esté sumergido adecuadamente en el agua. ■ Limpie la(s) boquilla(s) de acuerdo con el capítulo “MANTENIMIENTO DE LAS BOQUILLAS” y reensámblelas siguiendo las instrucciones. |
| Se produce una fuga de agua después de realizar mantenimiento de la carcasa del ventilador. | <ul style="list-style-type: none"> ■ La tuerca que conecta con el tubo de entrada se aflojó inesperadamente. | <ul style="list-style-type: none"> ■ Abra la carcasa del ventilador de acuerdo con el capítulo “MANTENIMIENTO DE LA CARCASA DEL VENTILADOR”. Inspeccione la tuerca y asegúrese de que esté completamente apretada. |

GARANTÍA

POLÍTICA DE GARANTÍA

Garantía limitada de 5 años en equipos de energía para exteriores y energía portátil EGO POWER+ para uso doméstico personal.

Garantía limitada de 3 años en paquetes de batería y cargadores del Sistema EGO POWER+ para uso personal doméstico. Se aplica una garantía extendida adicional de 2 años para la batería de 10,0 Ah/12,0 Ah, tanto si se vende por separado (núm. de modelo BA5600T/BA6720T) como si se incluye con cualquier herramienta, si se registra dentro del plazo de 90 días después de su compra. Garantía limitada de 5 años en el cargador CHV1600, diseñado para utilizarse con la cortadora de césped con asiento con radio de giro cero para uso personal doméstico.

Garantía limitada de 2 años/1 año en equipos de energía para exteriores, energía portátil, paquetes de baterías y cargadores EGO para uso profesional y comercial.

Los períodos de garantía detallados por productos se pueden encontrar en línea en <http://egopowerplus.com/warranty-policy>.

Póngase en contacto con Servicio al Cliente de EGO de manera gratuita al 1-855-EGO-5656, cuando tenga preguntas o reclamaciones de garantía.

GARANTÍA LIMITADA DE SERVICIO

Los productos EGO están garantizados contra defectos de material o de fabricación a partir de la fecha de compra original al por menor durante el período de garantía aplicable. El producto defectuoso será reparado gratuitamente.

- a) Esta garantía se aplica solo al comprador original del distribuidor minorista autorizado de EGO y podría no ser transferible. Los distribuidores minoristas autorizados de EGO se identifican en línea, en <http://egopowerplus.com/warranty-policy>.
- b) El período de garantía para productos reacondicionados o certificados de fábrica que se utilizan para fines residenciales es de 1 año, para fines industriales, profesionales o comerciales es de 90 días.

- c) El período de garantía para las piezas de mantenimiento de rutina, tales como, pero sin limitarse a, asiento de cortadora de césped con asiento, ruedas, llantas, ruedas anticorte al ras, disco de freno, bloque de fricción, cuchillas, cabezales de orilladora, espadas de cadena, cadenas de sierra, correas, barras rascadoras, paletas de caucho, barrenas, zapatas antideslizantes, boquillas de soplador y todos los demás accesorios EGO, es de 90 días para fines residenciales y 30 días para fines industriales, profesionales o comerciales. Estas piezas están cubiertas durante 90/30 días contra defectos de fabricación en condiciones de trabajo normales.
- d) Esta garantía queda nula si el producto se ha puesto en alquiler.
- e) Esta garantía no cubre daños producto de modificaciones, alteraciones o reparaciones no autorizadas.
- f) Esta garantía solo cubre defectos que surjan del uso normal y no cubre el mal funcionamiento, las fallas ni los defectos que resulten del mal uso, el abuso (que incluye la sobrecarga del producto más allá de su capacidad y sumergirlo en agua o en cualquier otro líquido), accidentes, negligencia o falta de instalación adecuada y mantenimiento o almacenamiento inadecuados.
- g) Esta garantía no cubre el deterioro normal del acabado exterior, incluidos, entre otros, rayones, abolladuras, trozos de pintura o cualquier corrosión o decoloración producida por el calor o limpiadores químicos y abrasivos.

CÓMO OBTENER EL SERVICIO

Para obtener el servicio de garantía, póngase en contacto con Servicio al Cliente de EGO de manera gratuita al **1-855-EGO-5656**. Cuando pida un servicio cubierto por la garantía, debe presentar el recibo con la fecha original de venta. Un centro de servicio autorizado será seleccionado para reparar el producto de acuerdo con los términos establecidos en la garantía. Cuando lleve el producto al centro de servicio autorizado, es posible que deba hacer un pequeño depósito cuando deje la herramienta. Este depósito se reembolsará cuando se considere que el servicio de reparación se haya cubierto con la garantía.

LIMITACIONES ADICIONALES

En la medida en que la ley aplicable lo permita, se deniegan todas las garantías implícitas, inclusive las garantías de COMERCIALIZADIDAD o IDONEIDAD PARA UN PROPÓSITO ESPECÍFICO. Todas las garantías implícitas, inclusive las garantías de comerciabilidad o idoneidad para un propósito específico, que no se puedan denegar bajo la ley estatal, están limitadas al período de garantía aplicable definido al comienzo de este artículo.

Chervon North America no se hará responsable por daños directos, indirectos, accidentales o resultantes.

Algunos estados no permiten limitaciones con respecto a la duración de una garantía implícita y/o no permiten la exclusión o limitación de daños accidentales o resultantes, de modo que las limitaciones antes descritas podrían no aplicarse en su caso.

Esta garantía le otorga derechos legales específicos, pero podría tener también otros derechos que varían según el estado.

Para obtener el servicio al cliente, póngase en contacto con nosotros de manera gratuita al: **1-855-EGO-5656** o visite: **EGOPOWERPLUS.COM**

EGO Customer Service, 769 SEWARD AVE NW / Suite 102 Grand Rapids, MI 49504

