

# EASY TRACK™

## Corner Shelves RS3003

PLEASE READ INSTALLATION INSTRUCTIONS  
BEFORE ASSEMBLING.

IF YOU ARE MISSING PARTS OR HAVE QUESTIONS  
PLEASE CALL OUR

**CUSTOMER HELP LINE:**

**1(800)562-4257**

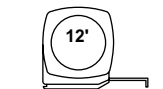
8 AM TO 5 PM EST  
Monday - Friday

Visit Our Web Site For Design Ideas and Frequently Asked Questions  
[www.easytrack.com](http://www.easytrack.com)

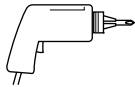
### IMPORTANT:

**TRACK must be screwed into studs behind wallboard. Warranty is void if TRACK is only screwed into drywall, as TRACK will fall down when screws pull out of drywall.**

#### Tools Required:



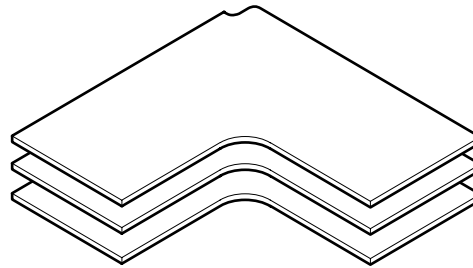
Tape Measure



Drill with No. 2 Phillips,  
1/8" and 1/2" Drill Bits



Level

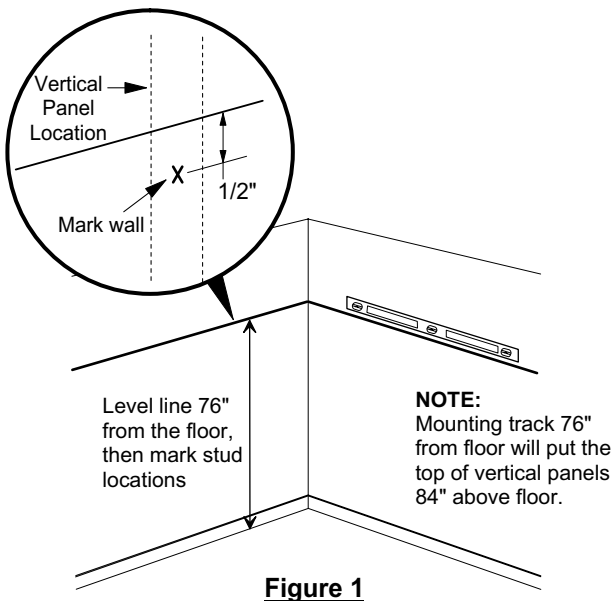


#### Model RS3003 Includes:

- 3 - Corner Shelves
- 3 - Corner Cleats
- 14 - #8 x 50mm Screws
- 10 - Shelf Pins
- 2 - Offset Shelf Pins
- 14 - Screw Cap Covers

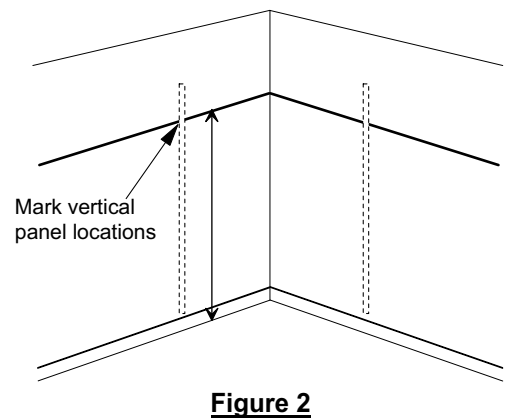
## 1 Attach Track

Measure desired height at the corner of both walls; 76" above the floor is recommended. The track height can be adjusted depending on the individual needs. Using a level, draw a straight line on each wall out from the corner. **Figure 1.**



Locate studs. Tap the wall or use an electronic stud finder to locate studs. Mark wall 1/2" below horizontal line. Studs (2 x 4) are usually located on 16" centers measured from the left or right side.

Lay out closet design to determine approximately where vertical panels will be located. Corner units are 30" wide, see **Figure 3** on page 2. Mark the vertical panel locations on the wall below the horizontal line. **Figure 2.**



# 1 Attach Track, continued

Use toggle bolts if vertical panels are not within 3" of a stud. To determine the location of the toggle bolt(s), hold the track over the horizontal line, and mark the hole locations near the studs and vertical panels (keep track level). **Figure 4.**

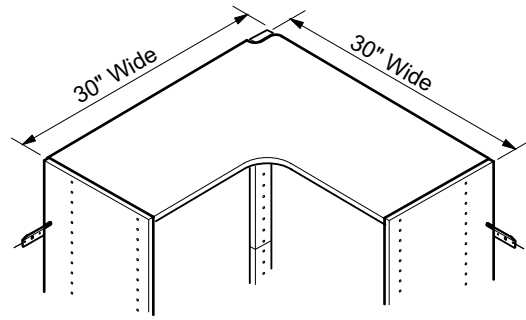
**NOTE: Toggle bolts, if required, must be installed prior to attaching track to wall. See "For holes marked for toggle bolts" below.**

### For Standard Drywall/Wallboard/Sheetrock:

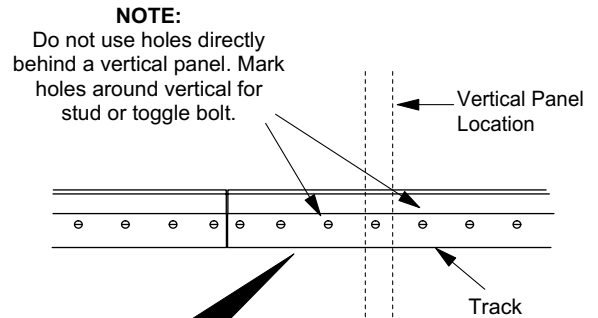
**For holes marked at studs,** drill a pilot hole with a 1/8" drill bit. Attach the track to the wall using #8 x 50mm screws. **Figure 3a.** **NOTE: Do not leave end of track unsupported, it must be attached to wall.**

### For Other Wall Types:

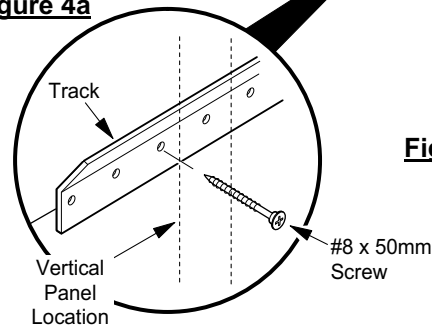
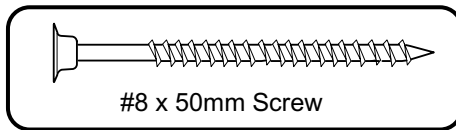
For cement, block, or other type of wall, use a suitable wall anchor available from your local hardware store.



**Figure 3**



**Figure 4a**



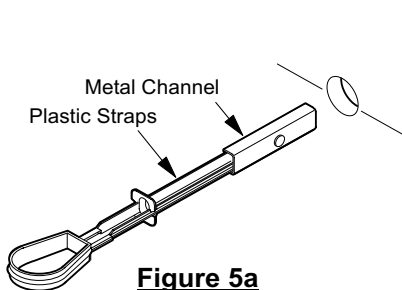
**Figure 4**

**For holes marked for toggle bolts,** drill a 1/2" hole through the wallboard. Hold the metal channel flat along the side plastic straps and slide the channel through the hole. **Figure 5a.**

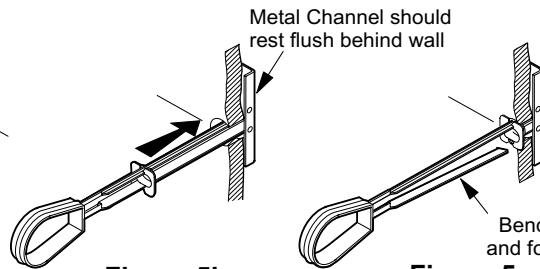
With one hand, pull the ring so the metal channel rests flush behind the wall, as you slide the plastic cap along the straps with other hand until the flange of the cap is flush with the wall. **Figure 5b.**

Place thumb between plastic straps. Push side to side, snapping off straps at the wall. **Figure 5c.**

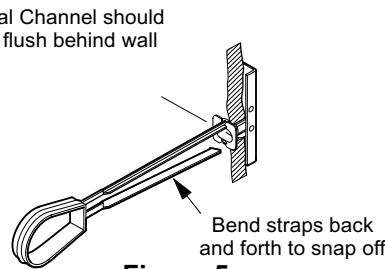
Insert the toggle bolt through the hole in track and tighten until flush with the wall. Minimum clearance behind wall is 1 7/8". **Figure 5d.** If additional toggle bolts are needed, purchase locally or call our toll-free Customer Help Line at 1(800)562-4257.



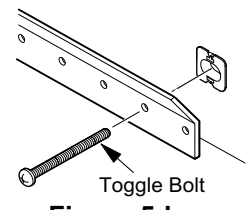
**Figure 5a**



**Figure 5b**



**Figure 5c**



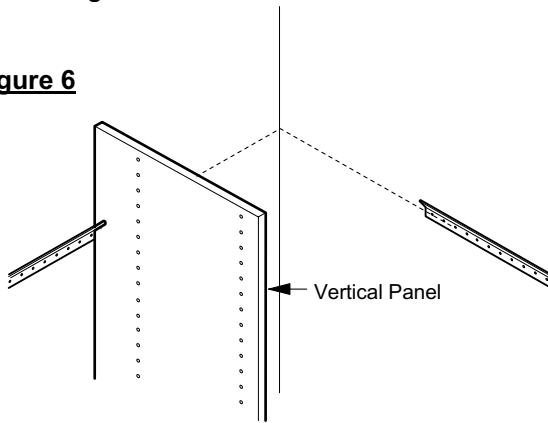
**Figure 5d**

TOGGLER® is a registered trademark of Mechanical Plastics Corp. TOGGLER® brand toggle bolts are patented under one or more of the following US patent numbers 4,075,924; 4,294,156 and foreign counterparts thereof.

## 2 Attach Cleats to Wall

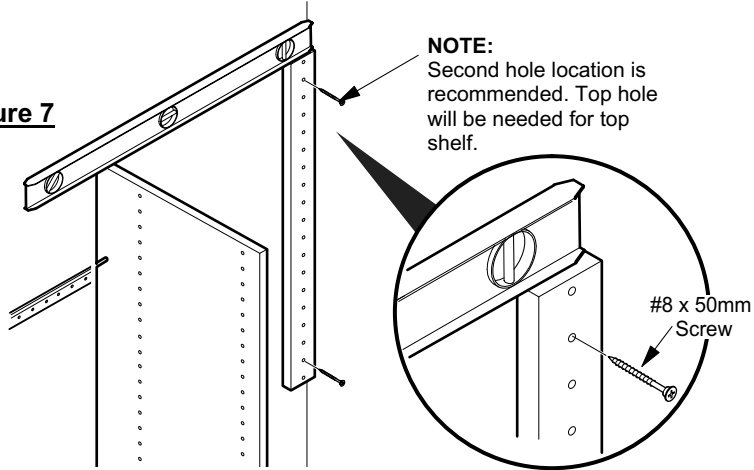
Hang vertical panel on track approximately 15" from corner. **Figure 6.**

**Figure 6**



Position cleat in corner and level with vertical panel. Screw cleat to wall using two (2) #8 x 50mm screws. **Figure 7.**

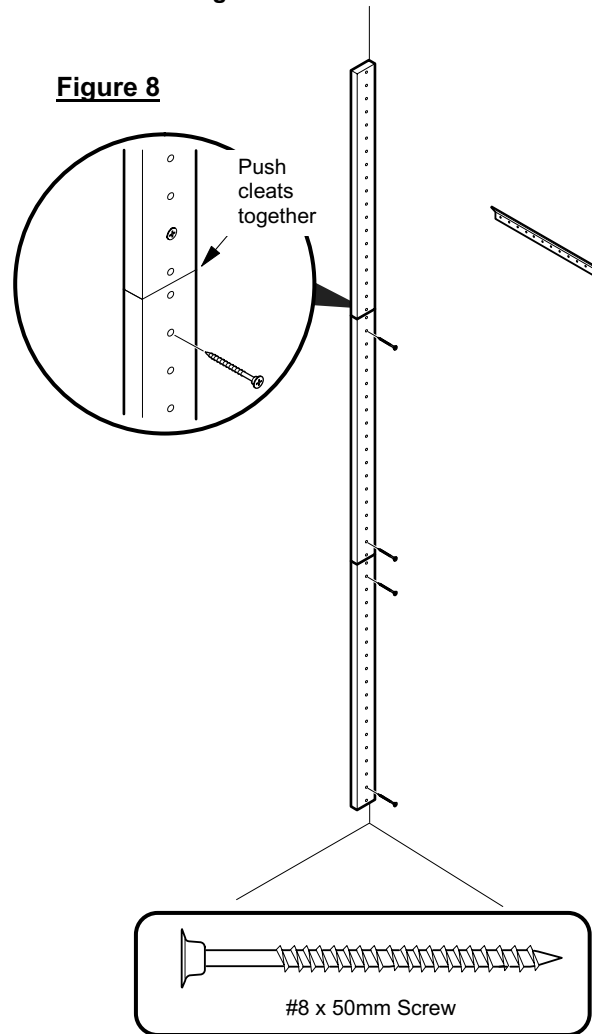
**Figure 7**



Remove vertical panel.

Install 2nd and 3rd cleat to end of previously installed one. **Figure 8.**

**Figure 8**

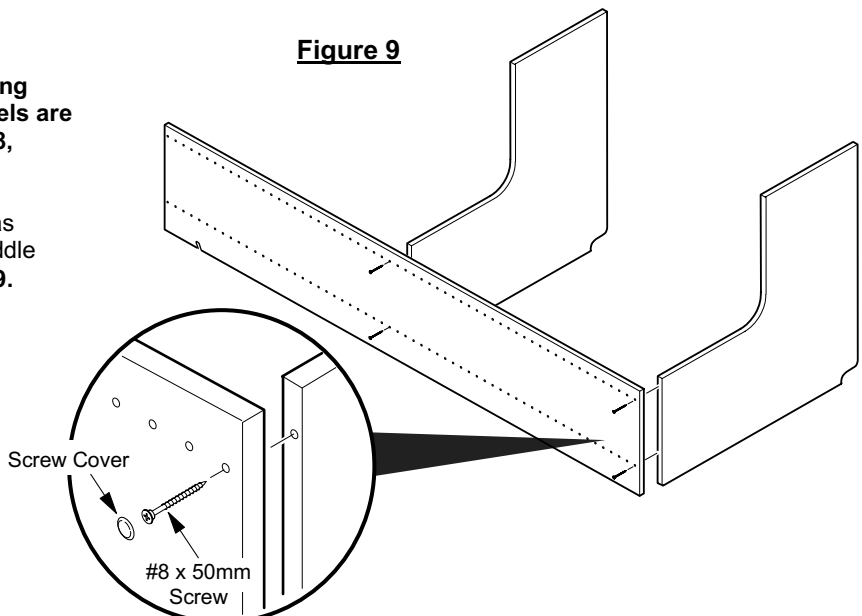


## 3 Assemble Unit

**NOTE: Corner Shelves are supported by using either 48" or 72" vertical panels. These panels are found in the following kits: RB1460, RB1448, RV1472, or RV1447.**

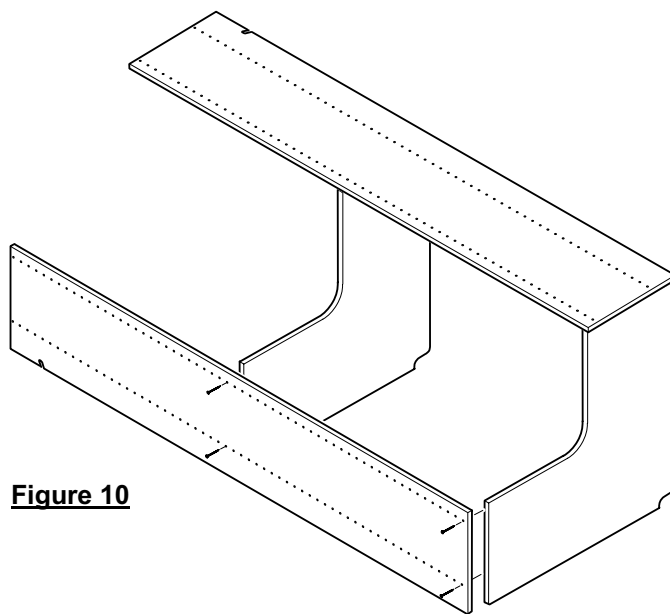
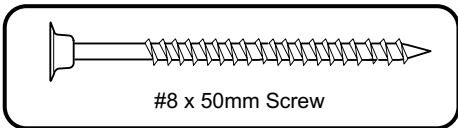
Position one of the vertical panels on the floor as shown (front edge up). Attach a bottom and middle corner shelf using #8 x 50mm screws. **Figure 9.**

**Figure 9**



### 3 Assemble Unit, continued

Rotate assembly as shown in **Figure 10**. Position the second vertical panel on the floor with the front edge up, next to the corner shelves. Attach the vertical panel to the two corner shelves using the #8 x 50mm screws.



**Figure 10**

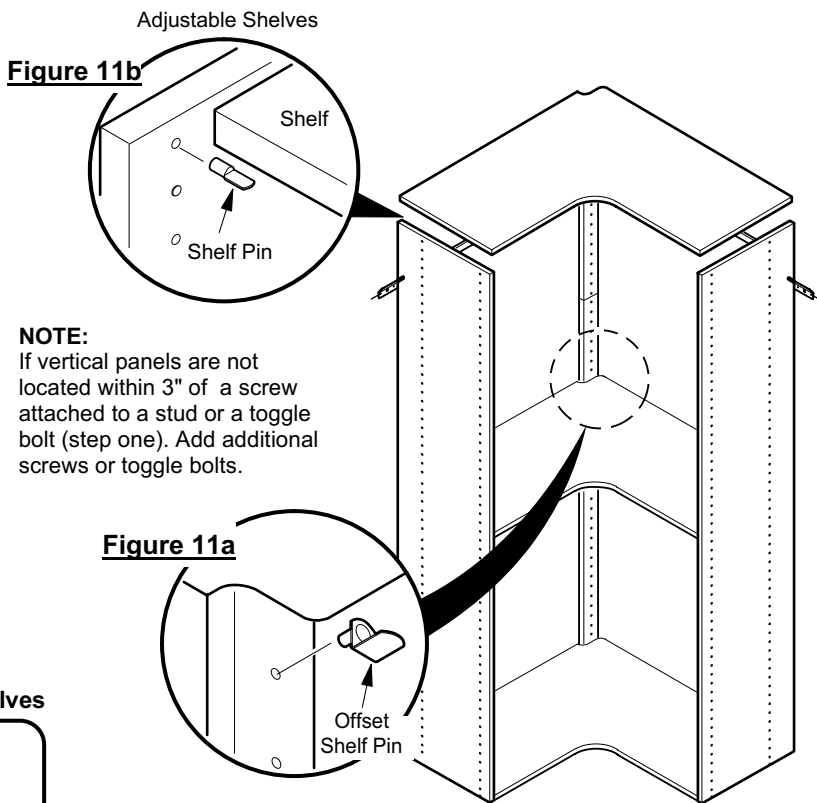
### 4 Installing Unit

Lift assembled corner unit onto track. Two people are recommended for this step. **Figure 11**.

Install offset shelf pins on the underside of fixed shelf corner. Lift up back corner of shelf and install offset shelf pin into cleat. **Figure 11a**.

Install top shelf. Push shelf pins into vertical panels and an offset shelf pin into the back corner of shelf. **Figure 11b**.

Add additional corner shelves if desired.

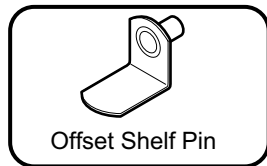


**NOTE:**  
If vertical panels are not located within 3" of a screw attached to a stud or a toggle bolt (step one). Add additional screws or toggle bolts.

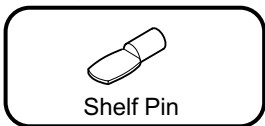
**Figure 11a**

**Figure 11**

**For Fixed Shelves**



**For Adjustable Shelves**



#### TEN YEAR LIMITED WARRANTY

EASY TRACK Organizing Systems by Windquest Companies Inc. are manufactured using the highest quality materials to exact tolerances. We use premium industrial particleboard and UV cured melamine impregnated laminate. Materials are warranted against manufacturing defects for a period of ten years. Any material with manufacturing defects will be replaced at no charge. Return of the defective item may be required by Windquest Companies Inc. Windquest Companies Inc. is not responsible for improper installation, overloading, or misuse of product, and is not responsible for consequential damage from the use of EASY TRACK.

This EASY TRACK™ product is covered under one of the following: U.S. Patents #4,928,833 and 5,191,986, Canadian Patent 1,307,766. ©1993, 1995, 1996, 1998 Windquest Companies Inc., Holland Michigan



3311 Windquest Drive  
Holland, MI 49424  
(800)562-4257 (616)399-3311 (616)399-8784 fax  
www.easytrack.com