

Rotary dimmers & fan controls

| | |
|-----------------|--------------|
| Project Name: | Prepared By: |
| Project Number: | Date: |
| Catalog Number: | Type: |

Description

Single Pole & 3-Way
600W, 1000W, 5A, 1.5A
Incandescent, Halogen, Fan Control

Design features

- Integrated rotary dial for ON/OFF and DIM/BRIGHT operation
- Preset versions offer Single Pole and 3-Way wiring in a single unit
- Preset feature allows user to return to previous light setting when turning lights on
- Neutral is not required for installation of device
- Replaces a standard switch and offers dimmer capabilities
- Fully variable fan control allows for precise fan speed setting
- Quiet 3-speed fan control allows for Low, Medium and High fan speed settings
- Power failure memory
- Radio Frequency Interference (RFI) filtering for radio, audio and video equipment
- Electrostatic discharge protection.
- Square Law Dimming – perceived dimming level is proportional to the rotary position
- Precise color matching
- Compatible with any traditional switch wallplate or screwless wallplate
- California Title 20 compliant



RI061



RFS5



RDC15

Table 1. Rotary Dimmers & Fan Speed Controls, Wire Leads

| Catalog No. | For Lamp Type(s) or Fan Control Type | Description | Rating | Color Suffix |
|------------------------------------|--------------------------------------|--|----------------------|------------------------|
| <input type="checkbox"/> RI061__ | Incandescent, Halogen | Dimmer, single pole non-preset | 600W 120V/AC | A, LA, V, W |
| <input type="checkbox"/> RI101__ | Incandescent, Halogen | Dimmer, single pole non-preset | 1000W 120V/AC | A, LA, V, W |
| <input type="checkbox"/> RI06P__ | Incandescent, Halogen | Dimmer, single pole & 3-way, with preset | 600W 120V/AC | A, LA, V, W |
| <input type="checkbox"/> RI06PL__ | Incandescent, Halogen | Dimmer, lighted, single pole & 3-way, with preset | 600W 120V/AC | A, LA, V, W |
| <input type="checkbox"/> RDC15__ | Incandescent, quiet 4-speed | Dual dimmer & fan speed control combo, single pole | 1.5A/300W 120V/AC | A, LA, V, W |
| <input type="checkbox"/> RDC25__ | Incandescent fully variable | Dual dimmer & fan speed control combo, single pole | 2.5A/300W 120V/AC | A, LA, V, W |
| <input type="checkbox"/> RFS15__ | Quiet 3-speed | Fan speed control, single pole non-preset | 1.5A 120V/AC | A, LA, V, W |
| <input type="checkbox"/> RFS5__ | Fully variable | Fan speed control, single pole non-preset | 5A 120V/AC | A, LA, V, W |
| <input type="checkbox"/> RKRL-BP__ | | Replacement knobs, for lighted rotary dimmer (RI06PL) | | A, B, BK, GY, LA, V, W |
| <input type="checkbox"/> RKRD-BP__ | | Replacement knobs, for rotary dimmer (RI061, RI101, RI06P) | | A, B, BK, GY, LA, V, W |
| <input type="checkbox"/> RKRC-BP__ | | Replacement knobs, for rotary fan control (RFS15, RFS5) | | A, LA, V, W |



Powering Business Worldwide

| | |
|-----------------|--------------|
| Project Name: | Prepared By: |
| Project Number: | Date: |
| Catalog Number: | Type: |

Applications

Eaton's Rotary dimmers provide a smooth rotation, full range dimming for Incandescent and Halogen lighting. In addition, one fully variable and quiet 3-speed fan speed controls are included in the product series. This line offers single pole (single location) units for 600W and 1000W lamp loads along with a combined single pole and 3-way (multi-location) unit for 600W lamp loads. All rotary dimmers are compatible with any traditional-style switch wallplate or screwless wallplate.

Table 2. Specifications

| | |
|--------------------------------------|--|
| Catalog No. | RI061, RI101, RI106P, RI106PL, RDC15, RDC25, RFS15, RFS5 |
| Device Type | Rotary Dimmer & Fan Controls: RI061, RI101, RI106P, RI106PL, RDC15, RDC25, RFS15, RFS5 |
| Wiring Type | Wire leads, #16 AWG |
| Testing & Code Compliance | <ul style="list-style-type: none"> cULus Listed to UL1472, file no. E47967 & CSA standard C22.2, no. 184.1, except fan control: Listed to UL1917, file no. E202842 & CSA standard C22.2, no. 156 NOM Certified California Title 20 compliant |
| Environmental Specifications | Flammability: Meets UL 94 requirements; V2 rated Temperature Rating: 0°C to 40°C (32°F to 104°F) |
| Electrical Specifications | Rating: 120V/AC 60 Hz Light Intensity Control: Full-range, continuously variable dimming Dimming Performance: Smooth and continuous Square Law Dimming curve Solid State Dimming Surge Protection: Meets ANSI/IEEE Std. C62.41-1980, tested to withstand voltage surges up to 6000V and current surges of up to 200A without damage Radio Frequency Interference: Designed to reduce interference with radio, audio and video equipment Power-failure Memory: Light or fan returns to same level prior to power interruption Lamp Ratings: Incandescent, Halogen, Magnetic Low- Voltage, Electronic Low-Voltage, Fluorescent |
| Mechanical Specifications | Wiring Types: Single pole & 3-way Voltage Ratings: Permanently marked on device |

Table 3. Materials

| | |
|-----------------------|---|
| Catalog No. | RI061, RI101, RI106P, RI106PL, RDC15, RDC25, RFS15, RFS5 |
| Top Housing | Polycarbonate |
| Bottom Housing | Polycarbonate |
| Strap | Aluminum |
| Form Factor | Traditional |
| Finish | Gloss |

| De-Rating Chart | 600W Models | | | 1000W Models | | |
|-----------------|-------------|-----------|-----------|------------------|----------------|-----------------|
| | 1-Gang | 2-Gang | 3-Gang | No Sides Removed | 1 Side Removed | 2 Sides Removed |
| Incandescent | 600W max. | 600W max. | 600W max. | 1000W max. | 900W max. | 800W max. |

Table 4. Color Ordering Information

For ordering devices, include Cat. No. followed by the color code: A (Almond), B (Brown), BK (Black), GY (Gray) LA (Light Almond), V (Ivory), W (White)

| | | | | | | |
|----------|----------|-----------|-----------|--------------|----------|----------|
| A | B | BK | GY | LA | V | W |
| (Almond) | (Brown) | (Black) | (Gray) | (Lt. Almond) | (Ivory) | (White) |

| | |
|-----------------|--------------|
| Project Name: | Prepared By: |
| Project Number: | Date: |
| Catalog Number: | Type: |

Product Dimensions

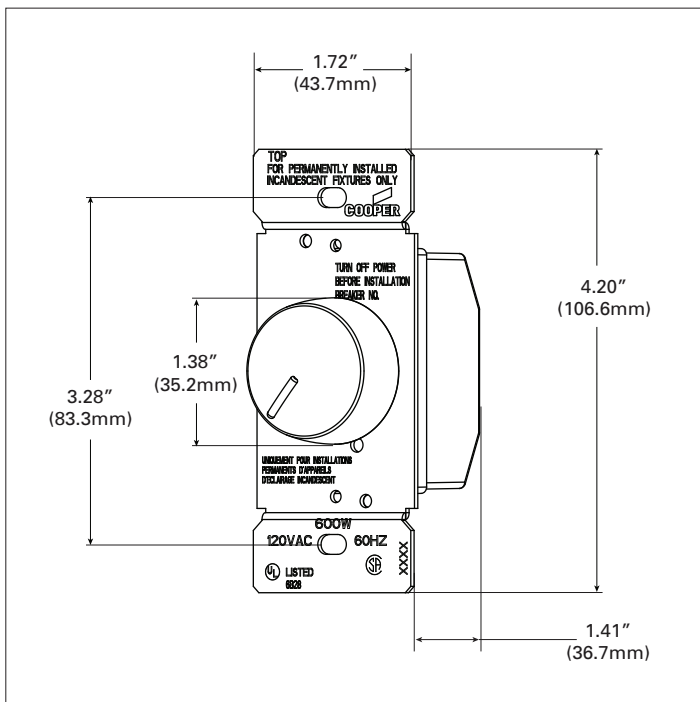


Figure 1. RI061 Line Art with Dimensions

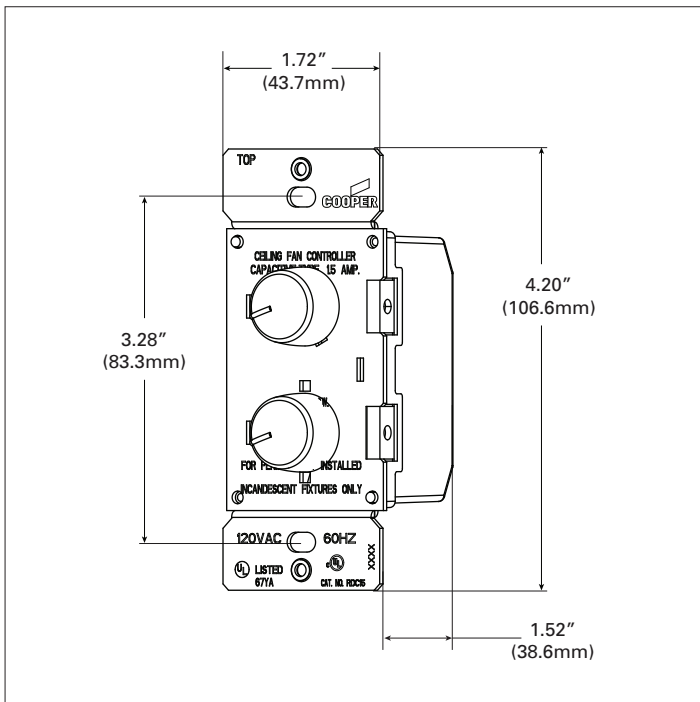
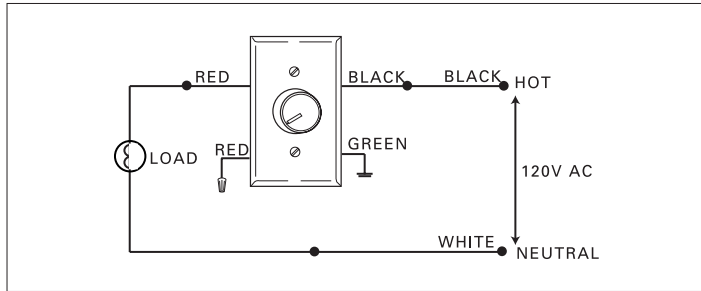


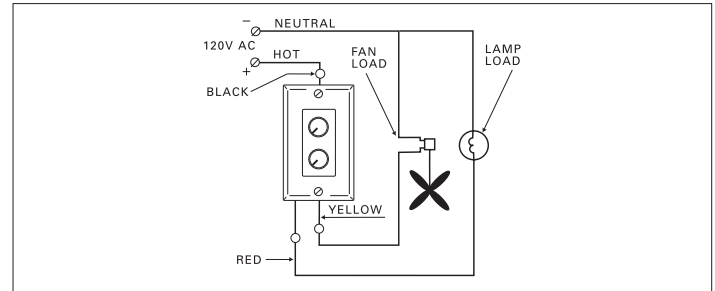
Figure 2. RDC15 Line Art with Dimensions

Wiring Diagrams

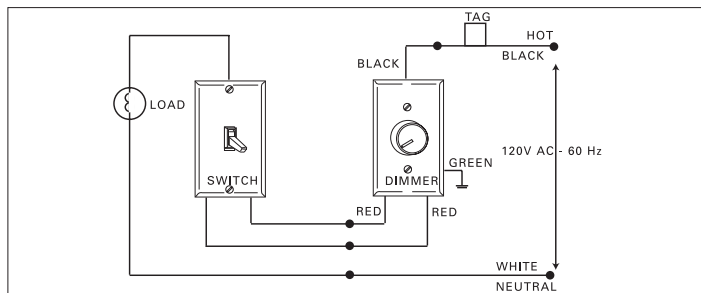
Single Pole Wiring Diagram, INC



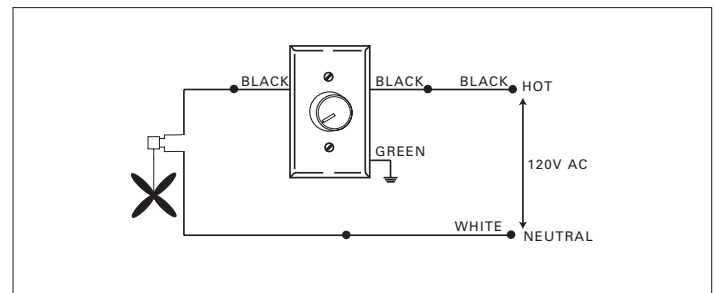
Single Pole Wiring Diagram, INC/3-Speed, 4-Speed & Fully Variable Fan



3-Way Wiring Diagram, INC



Single Pole Wiring Diagram, Fully Variable Fan



Certifications & Compliances

| Catalog No. | cULus | NOM 426 | TITLE 20 |
|-------------|-------|---------|----------|
| RI061 | • | • | • |
| RI101 | • | • | • |
| RI06P | • | • | • |
| RI06PL | • | • | • |
| RDC15 | • | • | |
| RDC25 | • | • | |
| RDS15 | • | | |
| RDS5 | • | | |
| RKRL-BP | | | |
| RKRD-BP | | | |
| RRKRC-BP | | | |

KEY: cULus cULus NOM 426 NOM TITLE 20 Title 20 compliant

Compliances, specifications and availability are subject to change without notice.

Electrical Sector
203 Cooper Circle
Peachtree City, GA 30269
United States
Eaton.com
Eaton.com/wiringdevices

Electrical Sector
Canada Operations
5925 McLaughlin Road
Mississauga, Ontario, L5R 1B8
Canada
EatonCanada.ca
Eaton.com/wiringdevices

Electrical Sector
Mexico Operations
Carr. Tlalnepantla -
Cuautitlan Km 178 s/n
Col. Villa Jardin esq.
Cerrada 8 de Mayo
Cuautitlan, Mexico CP 54800
Mexico
Eaton.mx
Eaton.com/wiringdevices