

# Aspire slide dimmers

Project Name:	Prepared By:
Project Number:	Date:
Catalog Number:	Type:

## Description

Single-Pole & 3-Way  
 600W/VA, 1000W/VA, 8A, 1.5A  
 Incandescent, Magnetic Low-Voltage,  
 Electronic Low-Voltage, Halogen, Fluorescent, Fan Control

## Design features

- Replaces a standard switch and offers dimmer or fan control capabilities
- All units are available in combined Single-Pole/3-Way versions
- Neutral is not required for installation of device (excludes fluorescent dimmer models)
- Electrostatic discharge protection
- Incandescent and Magnetic Low-Voltage offered in single unit versions
- Radio Frequency Interface filtering is standard on all models
- Power failure memory
- Square Law Dimming – perceived dimming level is proportional to the slider position



9530



9540



9543



9540

**Table 1. Aspire slide dimmers & fan speed controls, back & side wire**

Catalog No.	For Lamp Type(s) or Fan Control Type	Description	Rating	Color Suffix
<input type="checkbox"/> 9530__	Incandescent, Halogen, Magnetic Low-Voltage	Dimmer, Single-Pole & 3-Way with Preset	600W/VA 120V/AC	AW, DS, SG, WS
<input type="checkbox"/> 9531__	Electronic Low-Voltage	Dimmer, Single-Pole & 3-Way, with Preset	600W/VA 120V/AC	AW, DS, SG, WS
<input type="checkbox"/> 9532__	Incandescent, Halogen, Magnetic Low-Voltage	Dimmer, Single-Pole & 3-Way with Preset	1000W/VA 120V/AC	AW, DS, SG, WS
<input type="checkbox"/> 9533__	Electronic Low-Voltage	Dimmer, Single-Pole & 3-Way with Preset	1000W/VA 120V/AC	AW, DS, SG, WS
<input type="checkbox"/> 9538__	Incandescent, Halogen, Magnetic Low-Voltage	Dimmer, Lighted, Single-Pole & 3-Way with Preset	600W/VA 120V/AC	AW, DS, SG, WS
<input type="checkbox"/> 9539__	Electronic Low-Voltage	Dimmer, Lighted, Single-Pole & 3-Way with Preset	1000W/VA 120V/AC	AW, DS, SG, WS
<input type="checkbox"/> 9540__	Incandescent, Halogen, Magnetic Low-Voltage	Dimmer, Lighted, Single-Pole & 3-Way with Preset	1000W/VA 120V/AC	AW, DS, SG, WS
<input type="checkbox"/> 9541__	Electronic Low-Voltage	Dimmer, Lighted, Single-Pole & 3-Way with Preset	1000W/VA 120V/AC	AW, DS, SG, WS
<input type="checkbox"/> 9568__	Fluorescent (Mark 10®, AmbiStar® & Tu-Wire®)	Dimmer, Lighted, Single-Pole & 3-Way with Preset	8A 120V/AC	AW, DS, SG, WS
<input type="checkbox"/> 95687__	Fluorescent (Mark 10®)	Dimmer, Lighted, Single-Pole & 3-Way with Preset	8A 277V/AC	AW, DS, SG, WS
<input type="checkbox"/> 9544__	Quiet 3-Speed	Fan Speed Control, Single-Pole & 3-Way	1.5A 120V/AC	AW, DS, SG, WS
<input type="checkbox"/> 9543__	Fully Variable	Fan Speed Control, Single-Pole & 3-Way	5A 120V/AC	AW, DS, SG, WS



Powering Business Worldwide

Mark 10 and AmbiStar are registered trademarks of Phillips Advance. Tu-Wire is a registered trademark of Lutron.

Compliances, specifications and availability are subject to change without notice.

Project Name:	Prepared By:
Project Number:	Date:
Catalog Number:	Type:

## Applications

ASPIRE Slide Dimmers provide a smooth, full range slide action dimming for Incandescent, Magnetic Low-Voltage, Electronic Low-Voltage and Fluorescent lighting. In addition, fully variable and quiet 3-speed fan controls are included in the product series. This line offers combined Single-Pole/Multi-Location units for 600W, 1000W, 8A lamp loads. All ASPIRE dimmers are compatible with any ASPIRE screwless decorator designer-style wallplate.

**Table 2. Specifications**

<b>Catalog No.</b>	<b>9530, 9531, 9532, 9533, 9538, 9539, 9540, 9541, 9543, 9544, 9568, 95687 Series</b>
<b>Device Type</b>	<b>ASPIRE Slide Dimmers</b>
<b>Wiring Type</b>	Back & side wire
<b>Testing &amp; Code Compliance</b>	<ul style="list-style-type: none"> <li>cULus Listed to UL1472, file no. E47967 &amp; CSA standard C22.2, no. 184.1, except fan control Listed to UL1917, file no. E202842 &amp; CSA standard C22.2, no. 156</li> <li>NOM Certified</li> </ul>
<b>Environmental Specifications</b>	<b>Flammability:</b> Meets UL 94 requirements; V2 rated <b>Temperature Rating:</b> 0°C to 40°C (32°F to 104°F)
<b>Electrical Specifications</b>	<b>Rating:</b> 120V/AC 60 Hz <b>Light Intensity Control:</b> Full-range, continuously variable dimming <b>Dimming Performance:</b> Smooth and continuous Square Law Dimming curve Solid State Dimming <b>Surge Protection:</b> Meets ANSI/IEEE Std. C62.41-1980, tested to withstand voltage surges up to 6000V and current surges of up to 200A without damage <b>Radio Frequency Interference:</b> Designed to reduce interference with radio, audio and video equipment <b>Power-failure Memory:</b> Light or fan returns to same level prior to power interruption <b>Lamp Ratings:</b> Incandescent, Halogen, Magnetic Low- Voltage, Electronic Low-Voltage, Fluorescent
<b>Mechanical Specifications</b>	<b>Wiring Types:</b> Single-Pole & 3-Way <b>Voltage Ratings:</b> Permanently marked on device

**Table 3. Materials**

<b>Catalog No.</b>	<b>9530, 9531, 9532, 9533, 9538, 9539, 9540, 9541, 9543, 9544, 9568, 95687 Series</b>
<b>Top Housing</b>	Polycarbonate
<b>Bottom Housing</b>	Polycarbonate
<b>Strap</b>	Aluminum
<b>Form Factor</b>	Decorator
<b>Finish</b>	Gloss

De-Rating Chart	600W Models			1000W Models			Fluorescent Models		
	1-Gang	2-Gang	3-Gang	No Sides Removed	1 Side Removed	2 Sides Removed	No Sides Removed	1 Side Removed	2 Sides Removed
Incandescent	600W max.	600W max.	600W max.	1000W max.	900W max.	800W max.			
Magnetic Low-Voltage	600VA max.	600VA max.	600VA max.	1000VA max.	900VA max.	800W max.			
Electronic Low-Voltage	600VA max.	600VA max.	600VA max.	1000VA max.	900VA max.	800W max.			
Fluorescent						800W max.	8.3A max.	6.6A max.	5.4A max.

**Table 4. Color Ordering Information**

For ordering devices, include Catalog No. followed by the Color Suffix: AW (Alpine White), DS (Desert Sand), Silver Granite (SG), WS (White Satin), DBK (Decorator Black), DLA (Decorator Light Almond), DW (Decorator White).

**Designer series color options:**

AW	AW	DS	DS	SG	SG	WS	WS
Alpine White		Desert Sand		Silver Granite		White Satin	

Compliances, specifications and availability are subject to change without notice.

Project Name:	Prepared By:
Project Number:	Date:
Catalog Number:	Type:

**Product Dimensions**

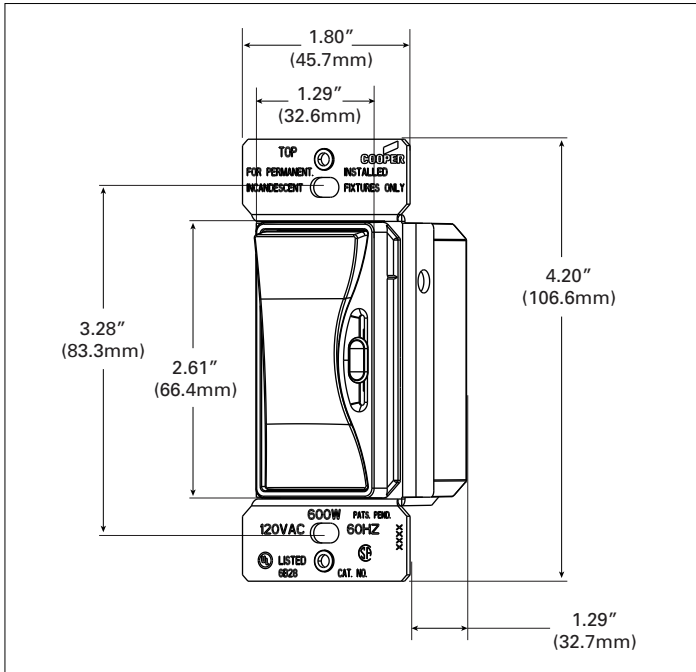


Figure 1. 9530

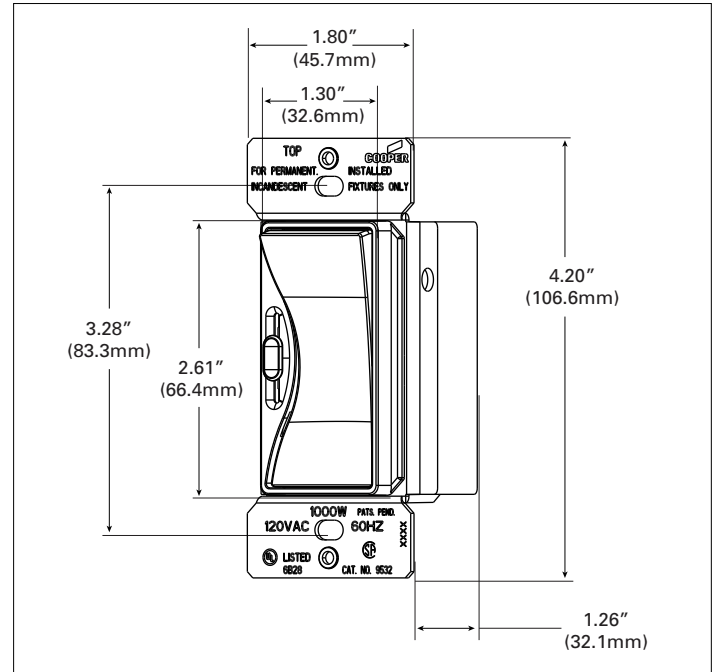


Figure 2. 9532

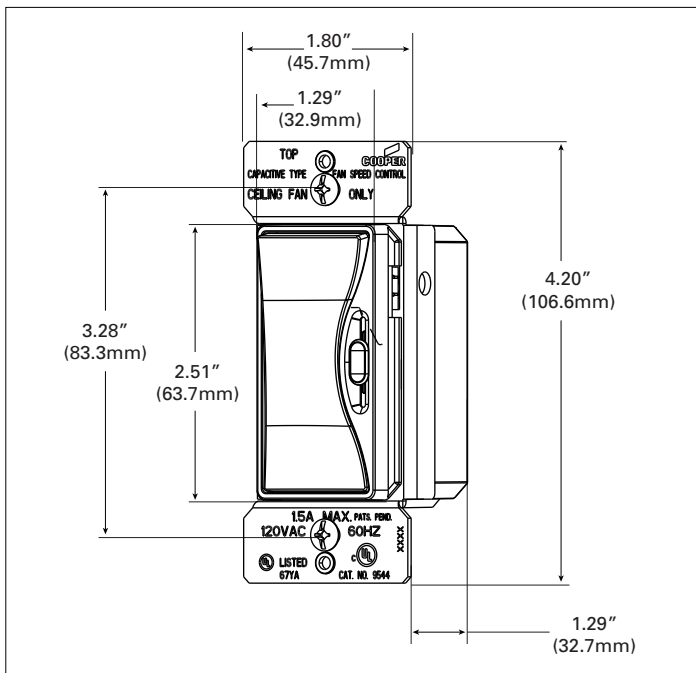


Figure 3. 9544

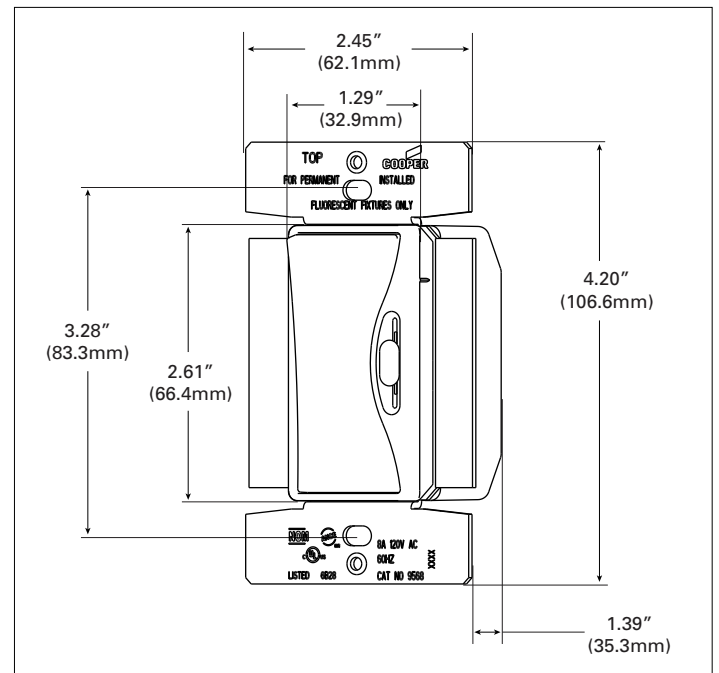
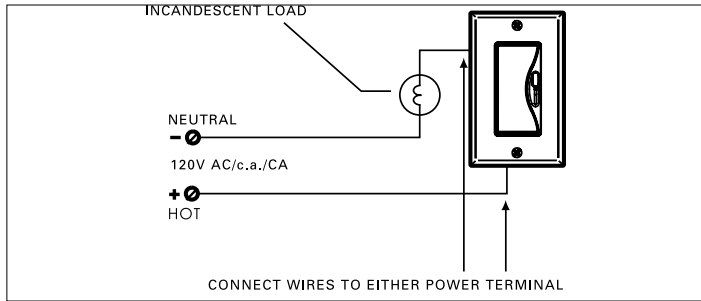


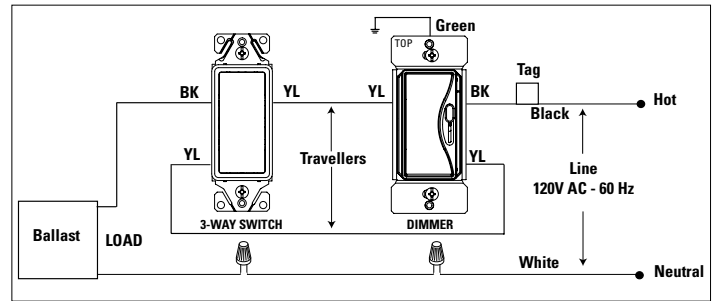
Figure 4. 9568

## Wiring Diagrams

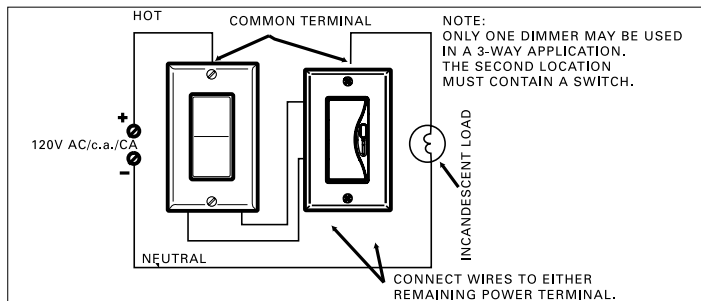
### Single-Pole Wiring Diagram, INC/MLV/ELV & Fan Speed



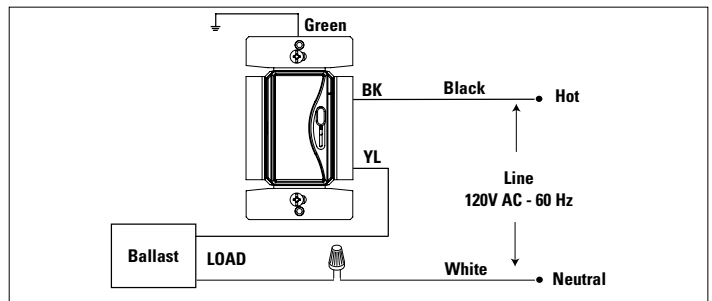
### 3-Way Wiring Diagram, Fluorescent



### 3-Way Wiring Diagram, INC/MLV/ELV



### Single-Pole Wiring Diagram, Fluorescent



## Certifications & Compliances

Catalog No.	cULus	UL	FCS	USA	SE	NOM 426	Arrowlink	Build-To-Spec	ROHS
9530	•					•			
9531	•					•			
9532	•					•			
9533	•					•			
9538	•					•			
9539	•					•			
9540	•					•			
9541	•					•			
9568	•					•			
95687	•					•			
9544	•					•			
9543	•					•			

**KEY:** cULus cULus UL UL FCS Fed Spec USA NAFTA SE CSA  
NOM 426 NOM Arrowlink Build-To-Spec ROHS

Parts are manufactured and designed in accordance with article 4 of the European Union's RoHS2 directive 2011/65/EU

Build-To-Spec Customizable Devices

Compliances, specifications and availability are subject to change without notice.

Electrical Sector  
203 Cooper Circle  
Peachtree City, GA 30269  
United States  
Eaton.com  
Eaton.com/arrowhart

Electrical Sector  
Canada Operations  
5925 McLaughlin Road  
Mississauga, Ontario, L5R 1B8  
Canada  
EatonCanada.ca  
Eaton.com/arrowhart

Electrical Sector  
Mexico Operations  
Carr. Tlalnepantla -  
Cuautitlan Km 178 s/n  
Col. Villa Jardin esq.  
Cerrada 8 de Mayo  
Cuautitlan, Mexico CP 54800  
Mexico  
Eaton.mx  
Eaton.com/arrowhart



© 2018 Eaton  
All Rights Reserved  
Printed in USA  
Publication No. TD610087EN  
February 2018

**Eaton**  
1000 Eaton Boulevard  
Cleveland, OH 44122  
United States  
Eaton.com

Eaton is a registered trademark.  
All other trademarks are property  
of their respective owners.