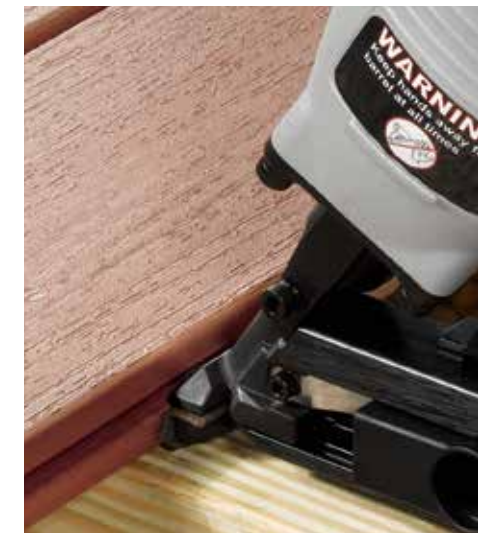


FASTENMASTER

PRODUCT & TECHNICAL GUIDE



Follow FastenMaster and share your story!



FMFULLCAT (0419) AM LITHO



FASTENMASTER

C O N T E N T S

Product Listing

LOK Line™ Structural Wood Screws

TimberLOK® Heavy Duty Wood Screw & Rafter/Truss to Top Plate Connection	3
HeadLOK® Heavy Duty Flathead Fastener	5
LedgerLOK® and LedgerLOK® FLat Head Ledger Board Fastener	7
FlatLOK® Structural Wood Screw	9
ThruLOK® Screw Bolt Fastening System	11

Deck Attachment

Lateral Tension System® Code Compliant Lateral Deck Attachment	13
--	----

Wood Framing Systems

FrameFAST™ Wood Framing System	15
--	----

Hidden Fastening Systems

Cortex® Deck Hidden Fastening System for Decking	17
Cortex® Fascia Hidden Fastening System for Fascia	19
Cortex® Trim Hidden Fastening System for PVC Trim	21
TigerClaw® Hidden Fastening Systems for Grooved Decking	23
TigerClaw® Hidden Clip Systems for Square Edge Decking	25

Deck & Trim Screws

TRIO® Ultimate Deck Screw for Softwoods	27
TrapEase® 3 Ultimate Deck Screw for PVC, Capstock and Composites	29
TrimTop™ Stainless Steel Coated Trim Screw	31
GuardDog® Exterior Wood Deck Screw	33

Hot Melt Adhesive System

HB220 Pro Adhesive Applicator	35
FLEX™ Hot Melt Construction Adhesive	36

AutoFeed Screw System

PAMFast™ AutoFeed Screw System	37
--	----

Log Home Fasteners

OlyLog® Log Home Fastener	39
LogHog® Heavy Duty Log Home Fastener	40

Replacement Gutter Screws

GutterScrew™	41
------------------------	----

FastenMaster Technical Resources	42
---	----



TimberLOK®

HEAVY DUTY WOOD SCREW & RAFTER/TRUSS TO TOP PLATE CONNECTION

FEATURES

- No predrilling
- Faster and easier than 3/8" lag screws
- Countersinking head style
- Guaranteed corrosion resistance. ACQ approved
- IBC/IRC code compliant. ICC-ES ESR-1078
- Free bit in every package

LENGTHS: 2 1/2", 4", 6", 8", 10"

PACKAGING QUANTITIES

12 pc clamshell, 50 pc box, 250 pc bucket
500 pc bucket (2 1/2" only)

DESCRIPTION

TimberLOK is a heavy duty wood screw available in a variety of lengths and packaging sizes for applications such as attaching rafter or trusses to the top plate, landscape timbers, fences, decks, headers, stair stringers and more.

MEET CODE. LOWER COST.

The 6" TimberLOK is used by professional contractors nationwide to meet code and lower costs for rafter and truss to top plate connections.

Meet Code: Tested and proven to meet the most recent IRC/IBC requirements for rafter and truss to top plate connections in most applications. Lower Cost: Requires no predrilling, saving time and labor.



INSTALLATION PROCEDURE

TimberLOK should be installed using a high torque, 1/2" variable speed drill (18V if cordless). Choose the proper length so that threads fully engage the main member or bottom piece. Bring washer head flush to wood surface or countersink head flush.

For **rafter or truss to top plate applications**, the 6" TimberLOK is easily installed at a 15-30° angle. For detailed installation instructions, including fastening requirements, please refer to our **Rafter or Truss to Top Plate technical bulletins**. These instructions are included in all box and bucket packaging as well as being available for download from our website. A design professional should be consulted for all other critical connections, to include the number and location of all fasteners to meet national and local code requirements.

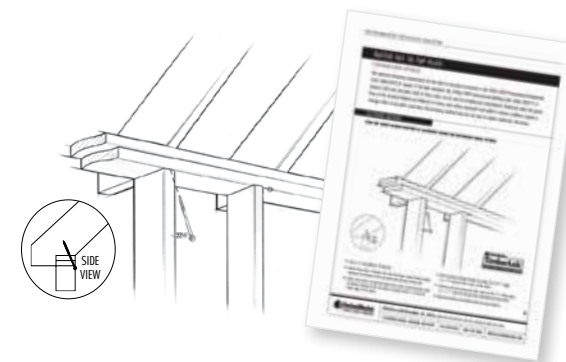
GUARANTEED CORROSION RESISTANCE

TimberLOK is guaranteed not to rust or corrode for the life of the project. The coating on this fastener has been tested in wood treatment chemicals, such as ACQ, and found to provide equivalent protection to code-approved hot-dipped galvanized coatings. TimberLOK is not recommended for use in saltwater applications (within 1,000 ft).

TimberLOK SKU Selection Guide			
LENGTH	TYPICAL APPLICATIONS	PACKAGING QTY	SKU
2 1/2"	Doubling/sistering up 2x header or carrying beams	12 pc clamshell	FMTLOK212-12
		50 pc box	FMTLOK212-50
		500 pc bucket	FMTLOK212-500
4"	Attaching 2x to 4x structures - fencing	12 pc clamshell	FMTLOK04-12
		50 pc box	FMTLOK04-50
		250 pc bucket	FMTLOK04-250
6"	Replacing hurricane ties on rafters or trusses. Joining multiple 4x timbers	12 pc clamshell	FMTLOK06-12
		50 pc box	FMTLOK06-50
		250 pc bucket	FMTLOK06-250
8"	Building up 6x landscape walls	12 pc clamshell	FMTLOK08-12
		50 pc box	FMTLOK08-50
		250 pc bucket	FMTLOK08-250
10"	Post and Beam construction	12 pc clamshell	FMTLOK10-12
		50 pc box	FMTLOK10-50
		250 pc box	FMTLOK10-250



ADDITIONAL RESOURCES



FastenMaster Technical Bulletins

Our **Rafter to Top Plate and Truss to Top Plate technical bulletins**, which include detailed installation instructions, fastening requirements and design loads, are available for download from our website.

For additional technical data, refer to pages 45 and 46 of this catalog



ask the **FastenMaster**®

Ask the FastenMaster Installation Video

Our Ask the FastenMaster video series includes installation information for many of our products, including our TimberLOK Rafter Tail or Truss to Top Plate Connection video. These can be viewed on our website.

For technical support or to place an order: 800-518-3569 or www.FastenMaster.com



HeadLOK[®]

HEAVY DUTY FLATHEAD FASTENER

FEATURES

- No predrilling
- Faster, easier than 3/8" lag screws
- Non-countersinking head style
- Guaranteed corrosion resistance. ACQ approved
- IBC/IRC code compliant. ICC-ES ESR-1078
- Free SpiderDrive™ bit in every package

LENGTHS: 2 7/8", 4 1/2", 6"

PACKAGING QUANTITIES

12 pc clamshell, 50 pc box, 250 pc bucket, 500 pc bucket (2 7/8" only)

DESCRIPTION

HeadLOK is a heavy duty wood screw that does it all with an internal drive and flat head. HeadLOK offers higher design shear than 3/8" lag screws and no predrilling is needed! HeadLOK zips right in and is ideal for many wood-to-wood applications including decks, fences, SIPs, kitchen cabinets and more. The patented SpiderDrive[®] eliminates cam-out and improves installation speed.

OTHER LENGTHS: 1 5/8", 3 3/4", 5", 5 1/2", 6 1/2", 7", 7 1/2", 8", 8 1/2", 9", 9 1/2", 10", 11", 12", 13", 14", 15", 16", 18"

PACKAGING QUANTITIES

250 pc bucket, 500 pc bucket (1 5/8" only)



INSTALLATION PROCEDURE

HeadLOK should be installed using a high torque, 1/2" variable speed drill (18V if cordless). Drive the HeadLOK head flush to the surface. No predrilling required when proper end and edge distances are maintained.

GUARANTEED CORROSION RESISTANCE

HeadLOK is guaranteed not to rust or corrode for the life of the project. The fastener has also been tested and approved for use in ACQ. HeadLOK is not recommended for saltwater applications.

For additional technical data, refer to page 47 of this catalog



HeadLOK SKU Selection Guide

LENGTH	PACKAGING QTY	SKU	LENGTH	PACKAGING QTY	SKU
2 7/8"	12 pc clamshell	FMHLGM278-12	1 5/8"	500 pc bucket	FMHLGM158-500
	50 pc box	FMHLGM278-50	3 3/4"	250 pc bucket	FMHLGM334-250
	500 pc bucket	FMHLGM278-500	5"	250 pc bucket	FMHLGM005-250
4 1/2"	12 pc clamshell	FMHLGM412-12	5 1/2"	250 pc bucket	FMHLGM512-250
	50 pc box	FMHLGM412-50	6 1/2"	250 pc bucket	FMHLGM612-250
	250 pc bucket	FMHLGM412-250	7"	250 pc bucket	FMHLGM007-250
6"	12 pc clamshell	FMHLGM006-12	7 1/2"	250 pc bucket	FMHLGM712-250
	50 pc box	FMHLGM006-50	8"	250 pc bucket	FMHLGM008-250
	250 pc bucket	FMHLGM006-250	8 1/2"	250 pc bucket	FMHLGM812-250
			9"	250 pc bucket	FMHLGM009-250
			9 1/2"	250 pc bucket	FMHLGM912-250
			10"	250 pc bucket	FMHLGM010-250
			11"	250 pc bucket	FMHLGM011-250
			12"	250 pc bucket	FMHLGM012-250
			13"	250 pc bucket	FMHLGM013-250
			14"	250 pc bucket	FMHLGM014-250
			15"	250 pc bucket	FMHLGM015-250
			16"	250 pc bucket	FMHLGM016-250
			18"	250 pc bucket	FMHLGM018-250



HeadLOK Carded Bit	
PACKAGING QTY	SKU
2 per card	FMSPIDER3-2PK

ADDITIONAL RESOURCES

Ask the FastenMaster Installation Video
Our Ask the FastenMaster video series includes installation information for many of our products, including our HeadLOK Flathead Structural Wood Screw video. These can be viewed on our website.

For technical support or to place an order: 800-518-3569 or www.FastenMaster.com



FLAT HEAD STYLE



HEX HEAD STYLE



LedgerLOK[®] LEDGER BOARD FASTENERS

FEATURES

- No predrilling
- Replaces traditional 1/2" lag screws
- #1 structural wood screw engineered for ledgers
- Hex washer head style on LedgerLOK
- TORX[®] ttap[®] Drive System on LL Flat Head style
- Guaranteed corrosion resistance. ACQ approved
- IBC/IRC code compliant. ICC-ES ESR-1078
- Free bit in every package

LENGTHS: 3 5/8", 5"

PACKAGING QUANTITIES

12 pc clamshell, 50 pc box, 250 pc bucket



DESCRIPTION

LedgerLOKs are the first wood screws engineered to fasten a deck ledger board to the rim joist of a house with no predrilling. The hex-head version allows for greater bit engagement, reducing cam-out. The Flat Head style, with TORX[®] ttap[®] drive system, provides flush to ledger installation saving additional time and money.

MEET CODE. LOWER COST.

LedgerLOKs are used by professional contractors nationwide to meet code and lower costs for making deck ledger connections.

Meet Code: Tested and proven to meet the most recent IRC/IBC requirements for deck ledger to rim joist connection.

Lower Cost: Requires no predrilling, saving time and labor.



INSTALLATION PROCEDURE

LedgerLOKs should be installed using a high torque 1/2" variable speed drill (18V if cordless) or impact driver. Choose the proper length so that threads fully engage the main member (i.e., rim joist). Bring washer flush to side member with hex head style—do not countersink. Bring head flush with ledger using the flat head style. **Not for use in masonry or concrete.**

For detailed installation instructions, including fastening requirements, please refer to our **Deck Ledger to Rim Joist technical bulletin**. These instructions are included in all box and bucket packaging as well as being available for download from our website. When using in non-ledger applications, a design professional should be consulted for all critical connections, which include the number and location of all fasteners to meet national and local code requirements.

GUARANTEED CORROSION RESISTANCE

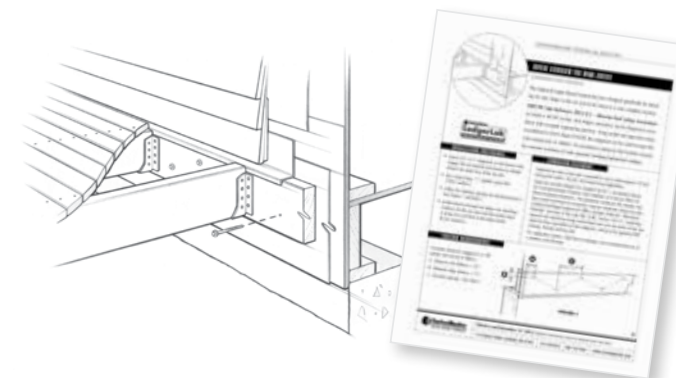
LedgerLOKs are guaranteed not to rust or corrode for the life of the project. The fasteners have also been tested and approved for use in ACQ including contact treatment levels. LedgerLOKs are not recommended for saltwater applications.



LedgerLOK SKU Selection Guide

LENGTH	PACKAGING QTY	HEX STYLE SKU	FLATHEAD SKU
3 5/8"	12 pc clamshell	FMLL358-12	FMLLF358-12
	50 pc box	FMLL358-50	FMLLF358-50
	250 pc bucket	FMLL358B-250	FMLLF358B-250
5"	12 pc clamshell	FMLL005-12	FMLLF005-12
	50 pc box	FMLL005-50	FMLLF005-50
	250 pc bucket	FMLL005B-250	FMLLF005B-250

ADDITIONAL RESOURCES



FastenMaster Technical Bulletins

Our Deck Ledger to Rim Joist technical bulletin, which includes detailed installation instructions, fastening requirements and design loads, is available for download from our website.

For additional technical data, refer to page 48 of this catalog



Ask the FastenMaster Installation Video

Our Ask the FastenMaster video series includes installation information for many of our products, including our LedgerLOK Deck Ledger to Rim Board Connection video. This can be viewed on our website.

For technical support or to place an order: 800-518-3569 or www.FastenMaster.com

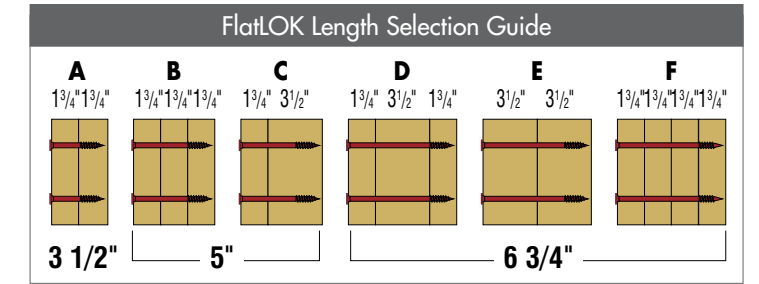


INSTALLATION PROCEDURE

FlatLOK should be installed using an impact driver or high torque 1/2" variable speed drill (minimum 18V if cordless). No predrilling is required when properly installed. Bring fastener flush with wood surface, do not overdrive.

GUARANTEED CORROSION RESISTANCE

FlatLOK is guaranteed not to rust or corrode for the life of the project. FlatLOK is not recommended for use in saltwater applications.



Footnotes

- Fasteners should be installed in a staggered pattern at least 1 3/4" from top or bottom edge and 3 3/4" from either end of the beam

FlatLOK SKU Selection Guide

LENGTH	TYPICAL APPLICATIONS	PACKAGING QTY	SKU
2 7/8"	2-Ply Roof Girder Trusses	50 pc box	FMFL278-50
		500 pc bucket	FMFL278B-500
3 1/2"	2-Ply LVL Beams	50 pc box	FMFL312-50
		250 pc bucket	FMFL312B-250
4"	Interior Corridor Ledgers	50 pc box	FMFL004-50
		250 pc bucket	FMFL004B-250
4 1/2"	3-Ply Roof Girder Trusses	50 pc box	FMFL412-50
		250 pc bucket	FMFL412B-250
5"	3-Ply LVL Beams	50 pc box	FMFL005-50
		250 pc bucket	FMFL005B-250
6"	4-Ply Roof Girder Trusses	50 pc box	FMFL006-50
		250 pc bucket	FMFL006B-250
6 3/4"	4-Ply LVL Beams	50 pc box	FMFL634-50
		200 pc bucket	FMFL634B-200



FlatLOK®

STRUCTURAL WOOD SCREW

FEATURES

- No predrilling
- Strip-out resistant #40 TORX® ttap® drive system
- Guaranteed corrosion resistance. ACQ approved
- Approved for single-sided installation
- Code compliant based on testing per ICC-ES AC233
- Free bit in every package

LENGTHS: 2 7/8", 3 1/2", 4", 4 1/2", 5", 6", 6 3/4"

PACKAGING QUANTITIES

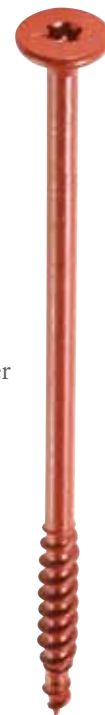
50 pc box, 250 pc bucket
500 pc bucket (2 7/8" only) 200 pc bucket (6 3/4" only)

DESCRIPTION

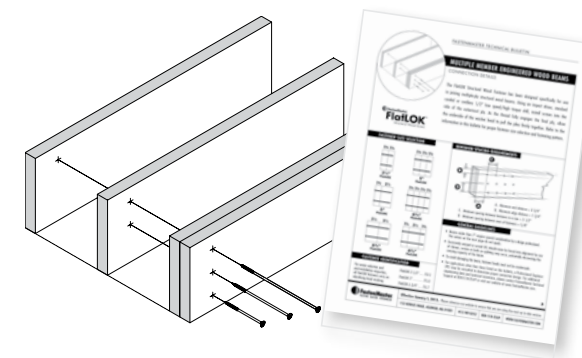
FlatLOK is designed for various multi-ply dimensional and engineered wood connections. FlatLOK is approved for single-sided installation. Not intended for use on exterior deck ledgers; FastenMaster LedgerLOK is designed specifically for this application.

MEET CODE. LOWER COST.

Meet Code: Tested and proven to meet manufacturers' requirements for single-sided installation of multi-ply LVL, LSL and PSL.
Lower Cost: Requires no predrilling, saving time and labor.



ADDITIONAL RESOURCES



FastenMaster Technical Bulletins

Our **Multiple Member Engineered Wood Beams** technical bulletin, which includes detailed installation instructions, fastening requirements and design loads, are available for download from our website.

For additional technical data, refer to pages 49-52 of this catalog



ask the **FastenMaster®**

Ask the FastenMaster Installation Video

Our Ask the FastenMaster video series includes installation information for many of our products, including our FlatLOK Structural Wood Screw video. These can be viewed on our website.

For technical support or to place an order: 800-518-3569 or www.FastenMaster.com



INSTALLATION PROCEDURE

No predrilling required when properly installed. Put the ThruLOK washer on the screw with the teeth of the washer facing away from the head of the fastener. Using a 1/2" high torque variable speed drill (18V if cordless), drive the ThruLOK until washer and hex-head are just above the wood surface (approx. 1/4") and point of screw protrudes out other side of connection. Thread the nut onto point of fastener. Tighten nut until flush with wood. Tighten screw with drill. **NOTE: Point of fastener must engage in nut to "MIN" line or beyond.**

For detailed installation instructions, including fastening requirements, please refer to our **ThruLOK Deck Post and Carrying Beam technical bulletins**. These instructions are included in all packaging as well as being available for download from our website. A design professional should be consulted for all other critical connections, to include the number and location of all fasteners to meet national and local code requirements.



GUARANTEED CORROSION RESISTANCE

ThruLOK is guaranteed not to rust or corrode for the life of the project. ThruLOK is not recommended for use in saltwater applications.

ThruLOK Screw SKU Selection Guide				
LENGTH	WOOD DIM RANGE	TYPICAL APPLICATIONS	PKG QTY	SKU
6 1/4"	4 1/2" to 5 1/4"	4x4 deck posts to 2x rim joists connections	6 pc box	FMTHR614-6
			24 pc box	FMTHR614-24
			100 pc bucket	FMTHR614B-100
7"	5 1/4" to 6"	2x beams to a notched 6x6 post connections	6 pc box	FMTHR007-6
			24 pc box	FMTHR007-24
			100 pc bucket	FMTHR007B-100
8"	6 1/4" to 7"	4x4 posts to double rim joist or single rim joist and 2x blocking	6 pc box	FMTHR008-6
			24 pc box	FMTHR008-24
			100 pc bucket	FMTHR008B-100
9 1/2"	7 3/4" to 8 1/2"	2x beams to 6x6 post connections	100 pc bucket	FMTHR912B-100

ThruLOK[®] CARRIAGE & THROUGH-BOLT REPLACEMENT

FEATURES

- No predrilling
- Faster, easier than 1/2" carriage or through-bolts
- No drill bits or wrenches required
- Galvanized coating meets code requirements for treated wood. ACQ Approved.
- IBC/IRC code compliant. ICC-ES ESR-1078
- Lifetime performance guarantee

LENGTHS: 6 1/4", 7", 8", 9 1/2"

PACKAGING QUANTITIES

6 pc box, 24 pc box, 100 pc bucket

DESCRIPTION

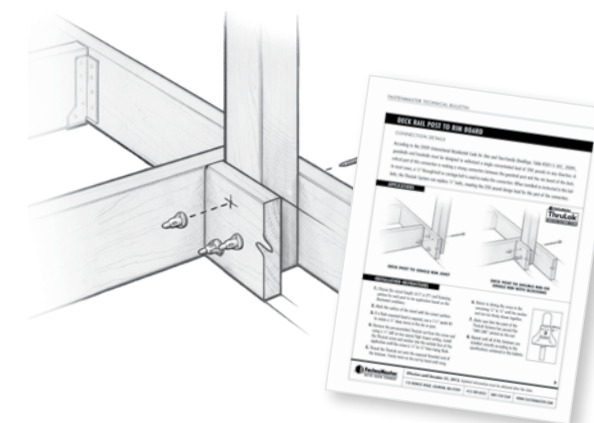
The ThruLOK System combines the strength of a through-bolted connection with the speed of a FastenMaster LOK fastener. The 6 1/4", engineered to connect 4x4 posts to 2x joists. The 7", engineered to connect two 2x beams to a notched 6x6 post. The 8", engineered to connect 4x4 posts to a double rim joist or single rim joist and 2x blocking. The 9 1/2", engineered to attach a 6x6 post to two 2x beams.

MEET CODE. LOWER COST.

Meet Code: ThruLOK has been tested and proven to meet the most recent IBC/IRC requirements for guardrail posts to rim joist connections. **Lower Cost:** Requires no predrilling, saving time and labor.



ADDITIONAL RESOURCES



FastenMaster Technical Bulletins

Our ThruLOK Deck Post and ThruLOK Carrying Beam technical bulletins, which include detailed installation instructions, fastening requirements and design loads, are available for download from our website.

For additional technical data, refer to pages 53 and 54 of this catalog



Ask the FastenMaster Installation Video

Our Ask the FastenMaster video series includes installation information for many of our products, including our ThruLOK Post to Rim or Carrying Beam to Notched Support Post Connection video. These can be viewed on our website.

For technical support or to place an order: 800-518-3569 or www.FastenMaster.com



INSTALLATION PROCEDURE

The LTS is approved for the five most common installation conditions:

- Condition A:** Sill Plate or Wall Plate Behind Ledger
- Condition B:** Sill Plate or Wall Plate Directly Below Ledger
- Condition C:** Sill Plate or Wall Plate 2" – 5" below Ledger
- Condition D:** Wall Stud in line with Deck Joist
- Condition E:** Wall Stud between Deck Joists



The FastenMaster LTS, is one complete kit to make all five of these code conforming connections. Each LTS bracket attaches an individual deck joist to a structural framing member of the house. With the LTS, you can install the fastener first and then add the bracket. The long fastener allows you to achieve the 3" of threading within the sill plate without having to access the interior of the house. You can achieve the code compliant connection in seconds.

GUARANTEED CORROSION RESISTANCE

LTS is guaranteed not to rust or corrode for the life of the project. The coating on this fastener has been tested in wood treatment chemicals, such as ACQ, and found to provide equivalent protection to code-approved hot-dipped galvanized coatings. LTS is not recommended for use in saltwater applications (within 1,000 ft).

Lateral Tension System SKU Selection Guide

TYPICAL APPLICATIONS	SKU
5 common installation types above	FMLTS-4

Lateral Tension System™

CODE COMPLIANT LATERAL DECK ATTACHMENT

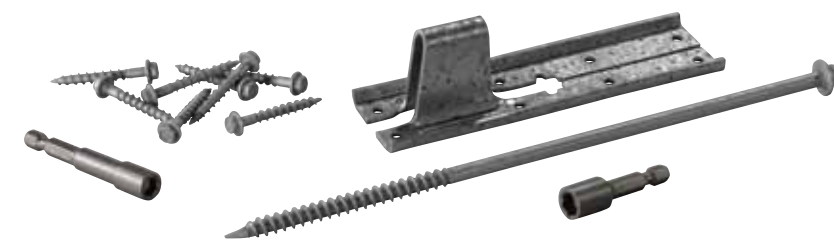
FEATURES

- Meets the 2015 and 2018 IRC
- ACQ Approved Coating
- No pre-drilling required
- No interior access needed to install
- Free bits in every package

PACKAGING QUANTITIES

Each kit contains:

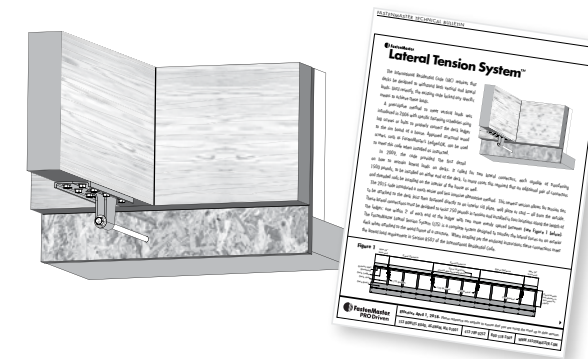
- (4) Lateral Tension Brackets
- (4) Transfer Screws
- (32) Bracket Mounting Screws
- (2) Driver Bits



DESCRIPTION

Lateral Tension System™ (LTS) is a complete kit designed to meet the newest code for transferring lateral deck loads. The International Residential Code (IRC) requires that decks be designed to withstand both vertical and lateral loads. This 2015 code allows for tension ties to be attached to the deck joist then fastened directly to an interior sill plate, wall plate or stud – all from the outside.

ADDITIONAL RESOURCES



FastenMaster Technical Bulletins

Our Lateral Tension System technical bulletin, which includes detailed installation instructions, fastening requirements and design loads, are available for download from our website.

For additional technical data, refer to pages 55 and 56 of this catalog



Ask the FastenMaster Installation Video

Our Ask the FastenMaster video series includes installation information for many of our products, including our Lateral Tension System video. These can be viewed on our website.

For technical support or to place an order: 800-518-3569 or www.FastenMaster.com



FrameFAST™

WOOD FRAMING SYSTEM

FEATURES

- No predrilling
- Eliminates ladders
- Eliminates nail guns and pneumatic hoses
- Code compliant across USA and Canada
- Guaranteed corrosion resistance
- Free bit in every package

LENGTHS: 6"

PACKAGING QUANTITIES

200 pc box

DESCRIPTION

The FrameFAST system consists of both the structural wood screws and the FrameFAST tool. The 6" FrameFAST structural wood screw is a code compliant replacement to hurricane ties and it's fully threaded design provides superior uplift and lateral resistance.

SAFETY AND SPEED

The FrameFAST tool is specifically designed to install the FrameFAST fastener in a consistent and safe manner by eliminating the need for ladders or scaffolding. Productivity and safety are significantly increased.



GUARANTEED CORROSION RESISTANCE

FrameFAST is guaranteed not to rust or corrode for the life of the project. FrameFAST is not recommended for use in salt water applications (within 1,000 ft.).

FrameFAST SKU Selection Guide			
LENGTH	TYPICAL APPLICATIONS	PACKAGING QTY	SKU
6"	Rafter or Truss to Top Plate	200 pc box	FMFF006-200
FrameFAST Tool			FMFFTOOL-T2TP

*Additional head attachments coming soon

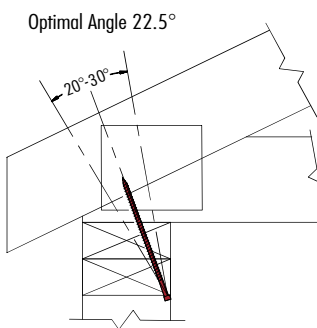


FrameFAST Tool

The FrameFAST tool is specifically designed to install the FrameFAST fastener in a consistent and safe manner by eliminating the need for ladders or scaffolding. Productivity and safety are significantly increased.



ADDITIONAL RESOURCES



Technical Evaluation Report

FastenMaster has partnerships with accredited third party testing and evaluation agencies to establish code-compliant design values for use by design professionals. An engineer stamped evaluation report for this connection, published by DRJ Engineering, can be found by visiting us at FastenMaster.com/resources.

For additional technical data, refer to page 43 and 44 of this catalog



Ask the FastenMaster Installation Video
Our Ask the FastenMaster video series includes installation information for many of our products, including our FrameFAST video. These can be viewed on our website.

For technical support or to place an order: 800-518-3569 or www.FastenMaster.com



Close up of pre-aligned grain plug

Cortex® HIDDEN FASTENING SYSTEM FOR DECKING

**Now with
Cortex Collated
Plugs!**

FEATURES

- Now with Pre-aligned Grain Collated Plugs
- Cortex Plugs made from deck board
- ACQ Approved
- Strip-out resistant #20 TORX® ttap® drive system

PACKAGING QUANTITIES (Loose)

- 100 lin ft (224 screws, 300 plugs, 2 setting tools)
- 100 sq ft (350 screws, 400 plugs, 3 setting tools)
- 300 sq ft (1050 screws, 1200 plugs, 6 setting tools)

PACKAGING QUANTITIES (Collated)

- 100 lin ft (224 screws, 240 plugs, 2 setting tools)
- 300 sq ft (1125 screws, 1200 plugs, 6 setting tools)

DESCRIPTION

The Cortex Hidden Fastening System is the fastest, easiest way to hide the heads of your deck screws across the entire deck, first and last board, perimeter, and stairs. Cortex plugs are made from the same material as market-leading deck boards.

COMPLETE HIDDEN FASTENING

Combine the versatility of Cortex for first board, last board, perimeter boards and stairs with the speed and ease of the Tiger Claw TC-G for the field of the deck to get a beautiful fastener-free surface.

LENGTH: 2 1/2"



INSTALLATION PROCEDURE

Installation with Spotter Lid Guide

Position the legs of the guide to straddle the joist or stringer and push guide flat to decking surface. Predrill through center holes using a standard 3/16" diameter drill bit. With the setting tool, drive screw at medium or high speed until it disengages at proper level below the deck surface. Drive at one continuous speed – do not slow down. Install 2 screws into decking at each joist. Maximum spacing between each row of 2 screws should be 16" on-center.

Installing Collated Cortex Plugs:

Tear off one strip of collated Cortex plugs from quad strip and position the leading plug into hole. With a clean hammer, gently tap plug into place. Pull collated strip away from installed plug, and tap plug once more to flush. For installation information, please view our Ask the FastenMaster **Complete Hidden Deck Fastening with TC-G and Cortex** video on our website.



Cortex for Trex Deck Selection Guide			
BOARD TYPE	PACKAGING QUANTITY	COVERAGE	SKU
Trex Select®	224 screws, 300 plugs, 2 setting tools	100 lin ft	FMCTX-TX1LFSL**
	1050 screws, 1200 plugs, 6 setting tools	300 sq ft	FMCTX-TX300SL*
Trex Transcend® (Collated Plugs)	224 screws, 300 plugs, 2 setting tools	100 lin ft	FMCTXTCL-TX1LFTS**
	1050 screws, 1200 plugs, 6 setting tools	300 sq ft	FMCTXTCL-TX300TS**
#20 TORX® ttap® driver bits (2 PK)			FMCTXSETTOOL3-2PK

Cortex is also available directly from the following board manufacturers: AZEK®, Clubhouse®, Fiberon®, Deckorators®, TimberTech®, and Wolf®. For information and stocking dealers, please visit their websites.

**Selecting SKU/Board Color

When ordering, please combine SKU column with board manufacturer color key.

Example: Cortex 100 sq ft for Trex Select Madeira = FMCTX-TFX300SLMD

Cortex Deck Replacement Plugs SKU Selection Guide			
	DESCRIPTION	TYPE	SKU
Trex®	40 pc loose replacement plugs	Enhance	FMCTXPG-TX40EN**
		Select	FMCTXPG-TX40SL**
		Transcend	FMCTXPG-TX40TS**



Trex Transcend®



Trex Select®



New board colors are always being added to the Cortex product line. If the board color you are looking for is not listed, consult our website for recent updates or call FastenMaster customer service.

For technical support or to place an order: 800-518-3569 or www.FastenMaster.com



INSTALLATION PROCEDURE

Cortex for Fascia can be installed using a 18V or greater cordless drill for all parts of this installation. An impact driver is not recommended. For 1x8 fascia, install a vertical row of 2 fasteners every 18". Use 3 fasteners for 1x12 fascia. Install the first and last row 1" from board ends, tack the fascia board into place using a few Cortex Fascia screws and leave the heads slightly raised. With fascia in place, drill the recommended fastening pattern using the Cortex Counterbore Tool. Install screws into each prepared hole using the Cortex Fascia Setting Tool. Drive in one continuous motion until fastener is seated, keeping the fastener perpendicular to fascia for best finished look. Install Cortex Fascia Plugs over each screw head. First, align the grain to match fascia and set into position by hand. Using a clean, smooth faced hammer, gently tap plug to flush. Remove the tacking screws, counterbore the resulting hole, fasten and install plugs to finish the job. Our Ask the FastenMaster Complete Hidden Fastening for Fascia video on our website.



Cortex for Fascia SKU Selection Guide			
BOARD	SKU	BOARD	SKU
Fire Pit	FMCTXF-TX50TSFB	Spiced Rum	FMCTXF-TX50TSSR
Gravel Path	FMCTXF-TX50TSGP	Tiki Torch	TFMCTXF-TX50TST
Island Mist	FMCTXF-TX50TSLM	Tree House	FMCTXF-TX50TSTH
Lava Rock	FMCTXF-TX50TSLR	Vintage Lantern	FMCTXF-TX50TSLV
Rope Swing	FMCTXF-TX50TSRS	Havana Gold	FMCTXF-TX50TSHG
Universal White	FMCTXF-TX50TSUW		

New board colors are always being added to the Cortex product line. If the board color you are looking for is not listed, consult our website for recent updates or call FastenMaster customer service.

Colors Available



Cortex® FASCIA HIDDEN FASTENING SYSTEM

FEATURES

- Engineered for fascia expansion/contraction
- Plugs made from Trex fascia board
- Strip-out resistant #20 TORX® ttap® drive system
- Perfect color match

PACKAGING QUANTITIES

50 lin ft (100 screws, 105 plugs, 1 counterbore tool and 1 setting tool)

LENGTH: 1 3/4"

Approved by:



DESCRIPTION

The Cortex for Fascia Hidden Fastening System is the fastest, easiest way to hide the heads of your deck screws when installing fascia or stair risers.

Cortex® Driller

HIDDEN FASTENING SYSTEM FOR TREX ELEVATIONS FRAMING

DESCRIPTION

The Cortex Driller Hidden Fastening System is the easiest way to hide screw heads on deck boards used on steel deck framing.

FEATURES

- Fastened in same way as traditional deck boards
- Featuring the TORX® ttap® Drive System
- Perfect color match
- No predrilling needed
- Guaranteed corrosion resistance. ACQ approved

PACKAGING QUANTITIES

100 lin ft (224 screws, 300 plugs, 2 setting tools)

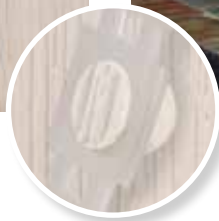
LENGTH: 1 5/8" stainless steel



Cortex Driller SKU Selection Guide		
BOARD	COLOR	SKU
Trex Elevations®	Fire Pit	FMCTXD-TX1LFTSFP
	Gravel Path	FMCTXD-TX1LFTSGP
	Lava Rock	FMCTXD-TX1LFTSLR
	Rope Swing	FMCTXD-TX1LFTSRS
	Spiced Rum	FMCTXD-TX1LFTSSR
	Tree House	FMCTXD-TX1LFTSTH
	Vintage Lantern	FMCTXD-TX1LFTSVL
N/A	(No Plugs)	FMCTXD-1LFNP

Additional colors available, call for more information

For technical support or to place an order: 800-518-3569 or www.FastenMaster.com



Close up of pre-aligned grain plug

Cortex[®]

HIDDEN FASTENING SYSTEM FOR PVC TRIM

FEATURES

- Collated Cortex Plugs, the fastest, easiest way to install Cortex Plugs
- Strip-out resistant #20 TORX[®] ttap[®] drive system
- Dual Lead Fastener Thread installs 50% faster than traditional trim fasteners

LENGTHS: 2", 2 3/4"

PACKAGING QUANTITIES (Loose Plugs)

- 50 lin ft (75 screws, 100 plugs, 1 setting tool)
- 250 lin ft (375 screws, 400 plugs, 3 setting tools)
- 750 lin ft (1125 screws, 1200 plugs, 6 setting tools)

DESCRIPTION

The FastenMaster Cortex Hidden Fastening System is the fastest, easiest way to hide fastener heads when installing PVC Trim. The finished look of Cortex is virtually invisible.

PACKAGING QUANTITIES (Collated Plugs)

- 250 lin ft (375 screws, 400 plugs, 3 setting tools)
- 750 lin ft (1125 screws, 1200 plugs, 6 setting tools)



INSTALLATION PROCEDURE

Using a standard 18V cordless impact drill and setting tool, drive the fastener to the preset level below the trim surface. The fastener must be driven perpendicular to the surface.

Installing Collated Cortex Plugs: Tear off one strip of collated Cortex plugs from quad strip and position the leading plug into hole. Gently tap with a clean hammer plug into place. Pull collated strip away from installed plug and tap plug once more to flush. Be careful to ensure that head of hammer is flat with trim surface to eliminate potential marring caused by the hammer and the hole is free of debris. If desired, Cortex for PVC Trim can be painted. See PVC Trim manufacturer technical information for specific painting instructions. The Cortex Hidden Fastening System is designed for use with PVC Trim with actual thicknesses of 5/8" to 5/4".



Cortex Trim SKU Selection Guide						
BOARD	COLOR	COVERAGE	2" FASTENER		2 3/4" FASTENER	
			LOOSE PLUGS	COLLATED PLUGS	LOOSE PLUGS	COLLATED PLUGS
Versatex	SM = Smooth TR = Timber Ridge	50 LF	FMCTXT-VT50**	N/A	FMCTXT234-VT50**	N/A
		250 LF	FMCTXT-VT250**	FMCTXTCL-VT250**	FMCTXT234-VT250**	FMCTXTCL234-VT2**
		750 LF	FMCTXT-VT750**	FMCTXTCL-VT750**	FMCTXT234-VT750**	FMCTXTCL234-VT7**
Royal	SM = Smooth GN = Grain	50 LF	FMCTXT-RY50**	N/A	FMCTXT234-RY50**	N/A
		250 LF	FMCTXT-RY250**	FMCTXTCL-RY250**	FMCTXT234-RY250**	FMCTXTCL234-RY250**
		750 LF	FMCTXT-RY750**	FMCTXTCL-RY750**	FMCTXT234-RY750**	FMCTXTCL234-RY750**
Royal Select	CR = Carriage Red LT = Latte WR = Wrought Iron	250 LF	CN = Chestnut	CH = Chocolate	CT = Cotton	GV = Grove
			NA = Oceana	PL = Pearl	SL = Shale	WL = Willow
			PB = Pine Brook	FT = Frost	PT = Pottery	RR = River Rock
			N/A	N/A	N/A	FMCTXTCL234-C2**
Koma [®]	SM = Smooth Celuka	50 LF	FMCTXT-KM50SM	N/A	N/A	N/A
		250 LF	FMCTXT-KM250SM	N/A	N/A	N/A
		750 LF	FMCTXT-KM750SM	N/A	N/A	N/A
Cortex #20 TORX [®] ttap [®] driver bits (2 Pack of Setting Tools)						FMCTXSETTOOL3-2PK

**Selecting SKU/Board Color

When ordering, please combine SKU column with board manufacturer color key.

Example: Cortex 250 LF fastener length 2" for Versatex Smooth = FMCTXT234-VT250SM

New board colors are always being added to the Cortex product line. If the board color you are looking for is not listed, consult our website for recent updates or call FastenMaster customer service.

Cortex Trim Replacement Plugs SKU Selection Guide			
BOARD	TYPE	DESCRIPTION	SKU
Versatex [®]	Smooth	40 pc collated replacement plugs	FMCTXTQUAD-VT40SM
	TimberRidge		FMCTXTQUAD-VT40TR
Royal	Smooth	40 pc collated replacement plugs	FMCTXTQUAD-RY40SM
	Grain		FMCTXTQUAD-RY40GN

New board colors are always being added to the Cortex product line. If the board color you are looking for is not listed on this page, consult our website for recent updates or call FastenMaster customer service.



For technical support or to place an order: 800-518-3569 or www.FastenMaster.com



TC-G® and TC-120® HIDDEN FASTENING SYSTEMS FOR GROOVED DECKING

FEATURES

- Ultimate corrosion resistance. ACQ Approved
- Strong connection between decking and joists
- Requires no special tools
- TC-G fits most 5/4" grooved decking
- TC-120 fits 3/4" hardwood decking with no predrilling

PACKAGING QUANTITIES

TC-G, 50 sq ft bag with hand driven screws, 500 sq ft bucket for use with pneumatic gun
 TC-120, 50 sq ft bag with hand driven screws

DESCRIPTION

Tiger Claw TC-G and TC-120 clips are the easiest way to install grooved decking. Use the Tiger Claw Pneumatic Installation Gun for the fastest possible installation.

Create grooves in non-grooved boards with the TC-G or TC-120 slot cutter.

COMPLETE HIDDEN FASTENING

Combine the speed and ease of the Tiger Claw TC-G for the field of the deck with the versatility of Cortex for first board, last board, perimeter boards and stairs to get a beautiful fastener-free surface.



TC-G



TC-120

INSTALLATION PROCEDURE

Fully insert TC-G or TC-120 clip into grooved edge of deck board. Screw hole should line up with the center of support joist. While standing on deck board, install provided screw at 45° angle through clip and into joist. Install one fastener and screw at each support joist.

For more detailed information, please refer to our TC-G/TC-120 installation instructions included in all packaging as well as Ask the FastenMaster Installation Video for Complete Hidden Deck Fastening with TC-G and Cortex is available on our website.

TC-G and TC-120 Clips SKU Selection Guide					
CLIP	BOARD COMPATIBILITY			PACKAGING QTY	SKU
	Composite	PVC	Wood		
TC-G	Trex Select® Veranda® ModernView™ Fiberon® Deckorators® Fortress MoistureShield™ UltraDeck Solid™ WOLF™	Gossen® Clubhouse®	Brazilian Redwood Ipe Ironwood Mangaris Teak Cambara Meranti Port Orford Cedar	90 pc bag (50 sq ft) 20 bags per tray pack	F-4058-TCGS
				900 pc gun bucket (500 sq ft)	F-5913-GNFS
TC-120			Wood	90 pc bag (50 sq ft) 20 bags per tray pack	F-5682-B120
	Mahagony Ipe Brazilian Redwood	Red Balau Spotted Gum Merbau	Most 3/4" Exotic Hardwoods Moso® dasso.XTR	900 pc gun bucket (500 sq ft)	FMTTC120-500

*Coverage based on 16" o.c. joist spacing 100 sq ft

INSTALLATION TOOLS/ACCESSORIES

Pneumatic Installation Gun

The Tiger Claw Installation Gun is a semi-automatic installation tool that greatly increases the installation speed of TC-G clips.

This tool can also be used with TimberTech® CONCEALoc™, Cali Bamboo®, Clubhouse™ Connect Clips and Trex HideAway™ fasteners.



Ask about our First Time User Program



Collated Pneumatic Screws

For use with the pneumatic installation gun. Available in coated and stainless steel.

Stainless steel clip used in conjunction with TC-G.

Butt Seam Clip



Slot Cutters

For non-grooved boards, use the TC-G or TC-120 slot cutter to create the correct groove for each clip.

Installation Tools and Accessories

DESCRIPTION	SKU
Installation Gun	F-5899-IGUN
Collated Pneumatic Screws	F-5906-GNSC
Stainless Steel Scrail	F-6557-SSPS
TC-G Slot Cutter	R-5206-RB3W
TC-120 Slot Cutter	F-5654-RBMG
Butt Seam Clip	F-5969-TCBC

For technical support or to place an order: 800-518-3569 or www.FastenMaster.com



INSTALLATION PROCEDURE

Insert prongs of fastener into installation block slots. To ensure even deck surface, make sure you are standing on deck board when installing with block. Place block over joist, strike with hammer, then screw into joist. Install screw at a 45° angle, through center hole of fastener and down into support joist. Check position of prongs – make sure prongs are at a 90° angle to joist. Install one Tiger Claw fastener and screw into edge of deck board at each support joist.

For more detailed information, please refer to our Tiger Claw Drive-In installation instructions included in all packaging as well as being available for download from our website.



Tiger Claw Drive-Ins SKU Selection Guide

CLIP	BOARD COMPATIBILITY			PACKAGING QTY	SKU
TC-1	Wood			90 pc (50 sq ft)	F-0001-TC1X
	Pressure Treated Pine	Red Wood	Western Red Cedar		
TC-2	Wood			90 pc box (50 sq ft)	F-4387-2SRB
	Pressure Treated Pine	Red Wood	Western Red Cedar	900 pc bucket (500 sq ft)	F-4394-2SCB
TC-3	Composite		PVC	90 pc box (50 sq ft)	F-4401-3SRB
	Elements® MoistureShield™ Ultra Deck Reversible™	AZEK® Fiberon Outdoor Flooring™ Veka™	TUFdek® Sensibuilt™ WOLF™ Clubhouse®		
	Wood			900 pc bucket (500 sq ft)	F-4408-3SCB
	Mahogany Port Cedar				
TC-4	Wood			90 pc box (35 sq ft)	F-4534-T490
	Brazilian Redwood*	Ipe*	Mangaris* Ironwood*	1,400 pc bucket (540 sq ft)	F1135-TC4B

* 1 x 4 use only (not to be used on 1 x 6 dimensions)

If you are looking to install a board not listed on the chart above, please contact FastenMaster at 800-518-3569



TC-1, TC-2, TC-3, and TC-4 HIDDEN CLIP SYSTEMS FOR SQUARE EDGE DECKING

FEATURES

- Carbon steel clips provide guaranteed corrosion resistance. ACQ Approved
- Strong connection between decking and joists
- Side penetration of the clips eliminates board cupping after installation

PACKAGING QUANTITIES

- TC-1, 90 pc box
- TC-2, 90 pc box, 900 pc bucket
- TC-3, 90 pc box, 900 pc bucket
- TC-4, 90 pc box, 1,400 pc bucket

CLIP DESCRIPTION

TC-1, TC-2, TC-3, and TC-4 are hidden fastener clips for softwoods, hardwoods, composite, capstock and PVC decking boards.

- TC-1 Carbon steel fastener for softwood decking such as pressure treated, cedar, or redwood
- TC-2 Stainless steel fastener for softwood decking such as pressure treated, cedar, or redwood
- TC-3 Stainless steel fastener for composites, PVC and mahogany
- TC-4 Hardwood & Ipe stainless steel fastener for 3/4" hardwood decking up to 4" wide



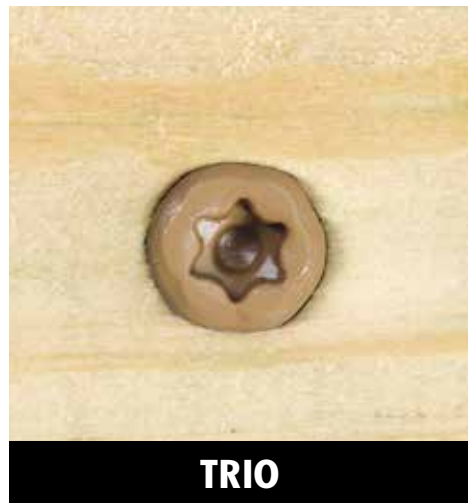
ADDITIONAL RESOURCES



Ask the FastenMaster Installation Video

Our Ask the FastenMaster video series includes installation information for many of our products, including our Tiger Claw TC-1 Hidden Fastener for Softwood Decking video. These can be viewed on our website.

For technical support or to place an order: 800-518-3569 or www.FastenMaster.com



TRIO



COMPETITOR



TRIO® ULTIMATE DECK SCREW FOR SOFTWOODS

FEATURES

- For softwoods such as cedar, redwood and pressure treated decking
- Strip-out resistant #25 TORX® ttap® drive system
- ThruPOINT™ resists splitting
- Corrosion and fade resistant
- Spotter™ Installation Guide creates consistent board gapping and fastener placement (available only on 350 pc bucket)

DESCRIPTION

TORX® ttap® drive system offers stick-fit and wobble-free installation, virtually eliminating cam-out. The ThruPOINT™ bores a pilot hole during installation, eliminating the wedging effect and splitting. Unique fastener engineered to deliver a clean finished look, fade resistance and UV stability ACQ approved. Proprietary plating and coating deliver corrosion resistance 2X better than standard deck screws.

TRIO Spotter™ Installation Guide. Much more than a lid, it is a tool engineered to increase fastener installation speed and accuracy.

LENGTHS: 2 1/2", 3"

PACKAGING QUANTITIES

75 pc box, 350 pc bucket, 1,050 pc bucket



INSTALLATION PROCEDURE

Use a 0-1800 RPM variable speed corded drill, 18V cordless drill, or impact drill. Install fastener in a continuous drive until head is flush. Install two screws at every joist. The TRIO Ultimate Deck Screw has been designed for three softwood decking applications:

Deck Surface 90° to joist: Position legs of spotter guide to straddle joist.

Push guide flat to deck board surface, and drive TRIO screws through holes marked 90°.

Deck Surface 45° to joist: Position notch on spotter guide legs to sides of joist.

Push guide flat to deck board surface, and drive TRIO screws through holes marked 45°.

Railing balusters: Set first baluster in place at center point of rail, drive the TRIO screws into both top and bottom. Position spotter guide legs against edge of baluster, position next baluster in place, using guide legs on opposite edge of guide for code-compliant baluster spacing.

Using edge of lid as guide, draw a pencil line to show center of baluster, and install the TRIO screws at top and bottom of baluster.

Note: Guide legs act as deck board spacer. Refer to decking manufacturer's installation instructions before installing FastenMaster TRIO Ultimate Deck Screw.

LIFETIME WARRANTY

TRIO is guaranteed for the life of the project. If you are ever dissatisfied with fastener performance, contact us for full reimbursement.



TRIO SKU Selection Guide			
SCREW LENGTH	PACKAGING QTY	COVERAGE	SKU
2 1/2"	75 pc box	20 sq ft	FMTRD212-75
	350 pc bucket	100 sq ft	FMTRD212-350
	1,050 pc bucket	300 sq ft	FMTRD212-1050
3"	75 pc box	20 sq ft	FMTRD003-75
	350 pc bucket	100 sq ft	FMTRD003-350
	1,050 pc bucket	300 sq ft	FMTRD003-1050
TRIO #25 TORX® ttap® Driver Bits (2 PK)			FMTTAPT25BIT-2PK

*Coverage based on 16" o.c. joist spacing 100 sq ft



ADDITIONAL RESOURCES



Ask the FastenMaster Installation Video

Our Ask the FastenMaster video series includes installation information for many of our products, including our TRIO Ultimate Deck Screw for the Ultimate Finished Look video. These can be viewed on our website.

For technical support or to place an order: 800-518-3569 or www.FastenMaster.com



TrapEase® 3

ULTIMATE DECK SCREW FOR PVC, CAPSTOCK AND COMPOSITES

FEATURES

- For PVC, capstock and composite decking
- Strip-out resistant #20 TORX® ttap® drive system
- Head painted to match board
- Corrosion and fade resistant
- Spotter™ Installation Guide creates consistent board gapping and fastener placement (available only on 350 pc bucket)

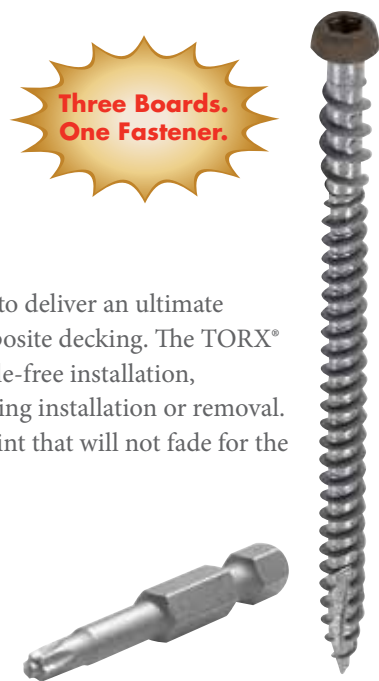
DESCRIPTION

TrapEase 3 is the only fastener guaranteed to deliver an ultimate finished look in PVC, Capstock, and Composite decking. The TORX® ttap® drive system offers stick-fit and wobble-free installation, virtually eliminating fastener stripping during installation or removal. TrapEase 3 features a UV resistant head paint that will not fade for the life of the project – guaranteed.

LENGTHS: 2 1/2", 3"

PACKAGING QUANTITIES

75 pc box, 350 pc bucket, 1,050 pc bucket



Three Boards. One Fastener.

INSTALLATION PROCEDURE

Use an 18V Cordless, impact drill, or 0-1800 RPM corded drill. Install the fastener in a continuous drive until the head is flush. Install two screws at every joist. Must install two screws per joist. **Important Installation Information:** Predrilling with a 1/8" diameter drill bit is required when fastening within 1" of end of board. This will prevent board splitting.

Deck Surface 90° to joist: Position legs of guide to straddle joist.

Push guide flat to decking surface and drive TrapEase 3 screws through hole marked 90°.

Deck Surface 45° to joist: Position notch on guide legs to sides of joists.

Push guide flat to decking surface, and drive TrapEase 3 screws through hole marked 45°.

Note: Spotter Guide legs act as a 3/16" deck board spacer.

LIFETIME WARRANTY

TrapEase 3 is guaranteed for the life of the project not to fade or rust.



TrapEase 3 SKU Selection Guide				
BOARD TYPE	SCREW LENGTH	PACKAGING QTY	COVERAGE	SKU
Trex Enhance®	2 1/2"	75 pc box	20 sq ft	FMTR3-212-75EN**
		350 pc bucket	100 sq ft	FMTR3-212-350EN**
		1,050 pc box	300 sq ft	FMTR3-212-1050EN**
Trex Select®	2 1/2"	75 pc box	20 sq ft	FMTR3-212-75SL**
		350 pc bucket	100 sq ft	FMTR3-212-350SL**
		1,050 pc box	300 sq ft	FMTR3-212-1050SL**
	3" only available in: MD, PB, SD, WB	350 pc bucket	100 sq ft	FMTR3-003-350SL**
		1,050 pc box	300 sq ft	FMTR3-003-1050SL**
Trex Transcend®	2 1/2"	75 pc box	20 sq ft	FMTR3-212-75TS**
		350 pc bucket	100 sq ft	FMTR3-212-350TS**
		1,050 pc box	300 sq ft	FMTR3-212-1050TS**
TrapEase 3 #20 TORX® ttap® Driver Bits (2 PK)				FMTTAPT20BIT-2PK



AVAILABLE COLORS:

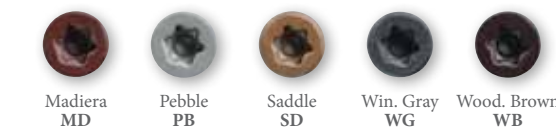
Trex Enhance®



Miscellaneous



Trex Select®



Trex Transcend®



**Selecting SKU/Board Color

When ordering, please combine SKU column with board manufacturer color key right.

Example: Trex Transcend 2 1/2", 350 pc box for Fire Pit = FMTR3-212-350TSFP
New board colors are always being added to the TrapEase 3 product line. If the board color you are looking for is not listed on this page, consult our website for recent updates or call FastenMaster customer service.

Color Matching

FastenMaster has a color match for all leading deck board brands. Visit FastenMaster.com for a complete color match guide.

ADDITIONAL RESOURCES

Ask the FastenMaster Installation Video

Our Ask the FastenMaster video series includes installation information for many of our products, including our TrapEase 3 Ultimate Composite Deck Screw video. These can be viewed on our website.

For technical support or to place an order: 800-518-3569 or www.FastenMaster.com



TrimTop™

STAINLESS STEEL COATED TRIM SCREW

FEATURES

- Sharp type 17 piercing point
- #8 gauge
- Deep square drive
- 305 Stainless offers guaranteed corrosion resistance
- No predrilling needed with cellular PVC decking
- Approved in ACQ

LENGTHS: 1 5/8", 2 1/2"

DESCRIPTION

TrimTop is a stainless steel coated trim screw engineered for use in PVC trim, PVC decking, as well as hardwoods such as cedar, Ipe and mahogany. TrimTop screws are head-painted to match the decking or trim and are guaranteed not to rust for the life of the project.

PACKAGING QUANTITIES

75 pc box, 350 pc box, 1,050 pc bucket



INSTALLATION PROCEDURE

Install TrimTop using the square driver bit included in the packaging. Predrilling is typically not required for cellular PVC decking and trim, composite decking, and softwoods (cedar, PT).

It is recommended to predrill when fastening within 1 1/2" of end of any board. Predrilling and countersinking are required when fastening into hardwoods like Ipe and mahogany, or fastening into frozen deck or joist boards. Use a 1/8" drill bit for the pilot hole with countersink.

LIFETIME WARRANTY

TrimTop is guaranteed for the life of the project not to fade or rust. Receive complete warranty details and information by calling a fastener expert at 800-518-3569.



TrimTop SKU Selection Guide			
LENGTH	PACKAGING QTY	COVERAGE	SKU
1 5/8"	75 pc box	20 sq ft	FMTT158-75**
	350 pc box	100 sq ft	FMTT158-350**
2 1/2"	75 pc box	20 sq ft	FMTT212-75**
	350 pc box	100 sq ft	FMTT212-350**
	1050 pc bucket	300 sq ft	FMTT212-1050**

**Selecting SKU/Board Color

When ordering, please combine SKU column with board manufacturer color key.

Example: TrimTop 2 1/2", 350 piece for ACACIA = FMTT212-350AI

New board colors are always being added to the TrimTop product line. If the board color you are looking for is not listed on this page, consult our website for recent updates or call FastenMaster customer service.

Color Matching

FastenMaster has a color match for all leading deck board brands. Visit FastenMaster.com for a complete color match guide.

AVAILABLE COLORS



For technical support or to place an order: 800-518-3569 or www.FastenMaster.com



GuardDog[®]

EXTERIOR WOOD SCREW

FEATURES

- Versatile head style can be used with the PoziSquare™ drive, #2 square drive and Phillips drive
- Guaranteed corrosion resistance
- Color matched to blend in with pressure treated decking
- Approved in pressure treated decking
- Sharp threads quickly penetrate lumber
- Free PoziSquare bit included

LENGTHS: 1 5/8", 2", 2 1/2", 3", 3 1/2"

DESCRIPTION

GuardDog is a versatile exterior wood screw used for a variety of applications. The PoziSquare drive eliminates stripping. Fully tested, fully guaranteed in ACQ, Cedar, Redwood and Copper Azole.

PACKAGING QUANTITIES

75 pc box, 350 pc box, 1,750 pc bucket, 1,350 pc bucket (3 1/2" only)



INSTALLATION PROCEDURE

Use a 0-1800 RPM variable speed drill (at least 14.4V if cordless). Install fastener perpendicular to deck, increasing drill speed as the screw threads into the deck. Slightly countersink. Do not overdrive. If cam-out occurs, remove and replace screw. Predrilling is recommended at all seam joints, when fastening within 1 1/2" of end of board, and when using hardwoods.

GUARANTEED CORROSION RESISTANCE

The GuardDog coating has been tested and approved for use in ACQ, Copper Azole pressure treated wood, cedar, and redwood applications. This fastener is guaranteed to protect against rust for the life of the project. Corrosion guarantee does not apply when the fastener is used within 1,000 ft. of saltwater or when de-icing salts will be in contact with decking. Use FastenMaster TrimTop for these applications.



GuardDog SKU Selection Guide			
SCREW LENGTH	PACKAGING QTY	COVERAGE	SKU
1 5/8"	75 pc box	20 sq ft	FMGD158-75
	350 pc box	100 sq ft	FMGD158-350
	1,750 pc bucket	500 sq ft	FMGD158-1750
2"	75 pc box	20 sq ft	FMGD002-75
	350 pc box	100 sq ft	FMGD002-350
	1,750 pc bucket	500 sq ft	FMGD002-1750
2 1/2"	75 pc box	20 sq ft	FMGD212-75
	350 pc box	100 sq ft	FMGD212-350
	1,750 pc bucket	500 sq ft	FMGD212-1750
3"	75 pc box	20 sq ft	FMGD003-75
	350 pc box	100 sq ft	FMGD003-350
	1,750 pc bucket	500 sq ft	FMGD003-1750
3 1/2"	75 pc box	20 sq ft	FMGD312-75
	350 pc box	100 sq ft	FMGD312-350
	1,350 pc bucket	350 sq ft	FMGD312-1350
Driver bit for GuardDog w/ PoziSquare drive (2 included)			FMPOZ12BIT-2PK



For technical support or to place an order: 800-518-3569 or www.FastenMaster.com



HB220 PRO ADHESIVE APPLICATOR

FEATURES

- Professional glue gun system
- Reaches maximum temperature in 5 minutes or less
- Adjustable High Temperature 285°F – 428°F (140°C – 220°C)
- Powerful 220 Watt heating element designed for fast, continuous use
- Proprietary Drip-Free Nozzle
- Adjustable trigger maximizes output and reduces fatigue
- Includes hard storage case

DESCRIPTION

The HB220 is not your typical glue gun – it is a professional grade adhesive system designed for all day use in a variety of flooring installation, remodeling, and repair applications including carpet tack strip installation, hardwood flooring start and finish rows, floor transition strips, interior wood trim, moldings, ceramic tile repair, and more. The HB220 Pro Applicator combines an adjustable high temperature range with a powerful 220 Watt heating element that keeps up with heavy all day usage.

INSTALLATION PROCEDURE

The HB220 tool temperature is preset. Turn it on, and allow 5 minutes for the tool to reach operating temperature, load adhesive into the chamber, pull the trigger to apply adhesive.



FLEX™ 40 HOT MELT CONSTRUCTION ADHESIVE

FEATURES

- For tack strips to concrete & more
- 40 seconds open (working) time
- Full strength bond in 5 minutes
- Quick tack firmly holds materials in place while bond solidifies

DESCRIPTION

FLEX delivers the speed and elasticity of hot melt adhesive with the strength of construction adhesive

PACKAGING QUANTITIES

90 lin ft, 18 sticks per box, 10 boxes per master carton



FLEX™ 180 HOT MELT CONSTRUCTION ADHESIVE

FEATURES

- For hardwood flooring and more
- 180 seconds open (working) time
- Full strength bond in 8 minutes
- Quick tack firmly holds materials in place while bond solidifies

DESCRIPTION

FLEX delivers the speed and elasticity of hot melt adhesive with the strength of construction adhesive

PACKAGING QUANTITIES

90 lin ft, 18 sticks per box, 10 boxes per master carton



HB220 and FLEX SKU Selection Guide

DESCRIPTION	PACKAGING QTY	COVERAGE	SKU
HB220	1 per box	N/A	PA-00-220
FLEX 40	18 glue sticks	90 lin ft	FMFLEX40
FLEX 180	18 glue sticks	90 lin ft	FMFLEX180

*additional nozels available, please call for details

ADDITIONAL RESOURCES



Ask the FastenMaster Installation Video

Our Ask the FastenMaster video series includes installation information for many of our products, including our FLEX Hot Melt Construction Adhesive video. These can be viewed on our website.

For technical support or to place an order: 800-518-3569 or www.FastenMaster.com



PAMFast™ AUTOFEED SCREW SYSTEM

FEATURES

- PAMFast drives productivity on the job site: faster installation and ergonomic, ease of use benefits
- Designed for subfloor, decking, drywall, and more
- No jams. No stripping out bits.
- Less reloading: 50 screws per collated strip
- PAMFast drives 3/4" - 3" screws

LENGTHS: 3/4", 1", 1 1/4", 1 1/2", 1 5/8", 1 3/4", 2", 2 1/2", 3"

PACKAGING QUANTITIES

50 screws per strip, 1,000 screws per box, 6 boxes per master carton

AUTOFEED TOOL

AutoFeed System Kit includes 1 PAMFast AutoFeed System, professional storage case, Allen Key Set, Phillips and PAMDrive bits



DESCRIPTION

The PAMFast AutoFeed Screw System is engineered to be smooth, fast, and easy for the Professional Contractor. Its simple but rugged design is built to last and delivers smooth, consistent screw driving every time.

INSTALLATION PROCEDURE

Set nose piece for length, runs 3/4"- 3" screws. Set countersink adjustment, precise 1/64" adjustment. Ball bearings locks in place throughout job. Insert Driver Bit. PAMDrive designed for superior engagement and extended life. Single piece bit drives thousands of screws before needing replacement.

PAMFast Fasteners and Tools Selection Guide

TYPE	FASTENER	DIAMETER	THREAD	POINT	FINISH											SKU					
						1/8"	1/4"	1/2"	5/8"	3/4"	2"	2 1/2"	3"								
DECKING		#8	Coarse	X-point or Sharp Point	Copperhead Coating													SD-28-WDCH8134			
																					SD-28-WDCH8200
		#8, #10	Coarse	X-Point or Type 17	Stainless Steel													SD-28-WDCH8300			
																				SD-28-IPES10212	
																					SD-28-WDSS8134
TrapEase 3 Composite Deck Screw		#10	Coarse	Dual Slash Point	Color Matched Head Paint													SD-28-WDSS8212			
																				SD-28-WDSS10212	
																					SD-28-WDSS1003
SUBFLOOR		#8	Single Coarse or Double Coarse "Fast"	Sharp	Yellow Zinc													FMAFTR3-212-1000DB			
																				FMAFTR3-212-1000GY	
																					FMAFTR3-212-1000RD
		#8	Coarse	X-Point	Yellow Zinc														SD-28-WCZ8114		
																					SD-28-WCZ8112
																		SD-28-WCZ8200F			
																		SD-28-WCZ8212F			
																		SD-28-WCZ8300F			
DRYWALL		#6, #7	Coarse	Sharp	Black Phosphate														SD-28-FDYZ8134		
		#6	Fine	Sharp	Black Phosphate														SD-28-GCBP6114		
																		SD-28-GCBP7200			
																		SD-28-GFBP6114			
																		SD-28-GFBP6158			
																		SD-28-GFBP6200			
CEMENT BOARD		#8	Coarse	Sharp	Copperhead Coating														MWMC8114		
ROOFING		#8	Coarse	Sharp	Stainless Steel														SD-28WDSS8212		
																		SD-28-WTDC8300			

SKU	TOOL DESCRIPTION
SD-20-P13KDE	Long tool, runs 1"-3" screws, 2500 rpm Milwaukee screw gun
SD-20-P13KUE	Long/short tool, runs 1"-3" screws, 2500 rpm Milwaukee screw gun
SD-20-BS12K	Short tool, runs 1"-2" screws, 2200 rpm, pneumatic
SD-20-BS13K	Short tool, runs 1"-3" screws, 2200 rpm, pneumatic
SD-20-PCT12	Cordless short tool, runs 1"-2" screws, 4000 rpm, Li Ion

SKU	TOOL DESCRIPTION
SD-20-P12K	Short tool, runs 1"-2" screws, 2500 rpm Milwaukee screw gun
SD-20-P12K4	Short tool, runs 1"-2" screws, 4000 rpm Milwaukee screw gun
SD-20-P13K	Short tool, runs 1"-3" screws, 2500 rpm Milwaukee screw gun
SD-20-P13K4	Short tool, runs 1"-3" screws, 4000 rpm Milwaukee screw gun

For technical support or to place an order: 800-518-3569 or www.FastenMaster.com



OlyLog[®] LOG HOME FASTENER

FEATURES

- Installs faster and easier than lags and spikes
- No predrilling
- Draws warped logs down
- Removable and reusable
- Eliminates jarring and damage caused by a sledgehammer

DESCRIPTION

OlyLog is the first threaded log home fastener which requires no predrilling and is ACQ approved.

INSTALLATION INSTRUCTIONS

Use a 1/2", high torque, low RPM drill. Install OlyLog perpendicular to the log. Countersink minimum of 1/4".

LENGTHS: 2 1/2", 4", 6", 8", 9", 10", 12", 14", 16"

PACKAGING QUANTITIES

250 pc box, 500 pc box (2 1/2" only)



LogHog[®] HEAVY DUTY LOG HOME FASTENER

FEATURES

- Installs much faster and easier than lags and spikes
- Countersinks into log —allows log to settle naturally
- No predrilling
- Removable and reusable
- Eliminates jarring and damage caused by a sledgehammer
- Corrosion resistance guaranteed. ACQ Approved

DESCRIPTION

LogHog is an extra heavy-duty log home fastener, engineered for specific log home construction applications. The LogHog, with its oversized head, thicker diameter and additional thread, offers increased draw-down and holding power. This fastener is corrosion resistant guaranteed.

INSTALLATION INSTRUCTIONS

Use a 1/2", high torque, low RPM drill. Install LogHog perpendicular to the log. Countersink minimum of 1/4".

LENGTHS: 7", 9", 10", 11", 12", 13", 15"

PACKAGING QUANTITIES

150 pc box (15" only), 250 pc box



OlyLog SKU Selection Guide		
LENGTH	PACKAGING QTY	SKU
2 1/2"	500 pc box	LOG212
4"	250 pc box	LOG004
6"	250 pc box	LOG006
8"	250 pc box	LOG008
9"	250 pc box	LOG009
10"	250 pc box	LOG010
12"	250 pc box	LOG012
14"	250 pc box	LOG014
16"	250 pc box	LOG016

LogHog SKU Selection Guide		
LENGTH	PACKAGING QTY	SKU
7"	250 pc box	LHOG007
9"	250 pc box	LHOG009
10"	250 pc box	LHOG010
11"	250 pc box	LHOG011
12"	250 pc box	LHOG012
13"	250 pc box	LHOG013
15"	150 pc box	LHOG015

For technical support or to place an order: 800-518-3569 or www.FastenMaster.com



GutterScrew™

REPLACES OLD SPIKES

FEATURES

- Oversized thread diameter tightly fills the existing spike hole for better holding strength and a watertight fit
- #3 square drive virtually eliminates cam-out during hard-to-reach installations
- Durable UV resistant white and brown head paint matches most gutter systems
- Thick galvanized base coating guaranteed not to rust or react with aluminum
- Free driver bit included

DESCRIPTION

GutterScrew enables you to replace old popping gutter spikes. The super-sized threads are wider than spikes, creating a tight fit with unmatched holding power.

INSTALLATION PROCEDURE

For existing gutters installed using spikes, first remove the existing spike and ferrule. With a standard drill install the GutterScrew and ferrule using the #3 square drive bit provided. For new gutter installations, pre-drill a 1/4" hole with spacing as recommended by the gutter manufacturer. Then install the new gutter screw and ferrule as instructed above.

GUARANTEED CORROSION RESISTANCE

FastenMaster's proprietary coating offers guaranteed corrosion resistant performance. No red rust for the life of your project guaranteed!

COLORS

Brown, White

LENGTH: 7"

PACKAGING QUANTITIES

10 pc clamshell, 25 pc box



FASTENMASTER

TECHNICAL RESOURCES

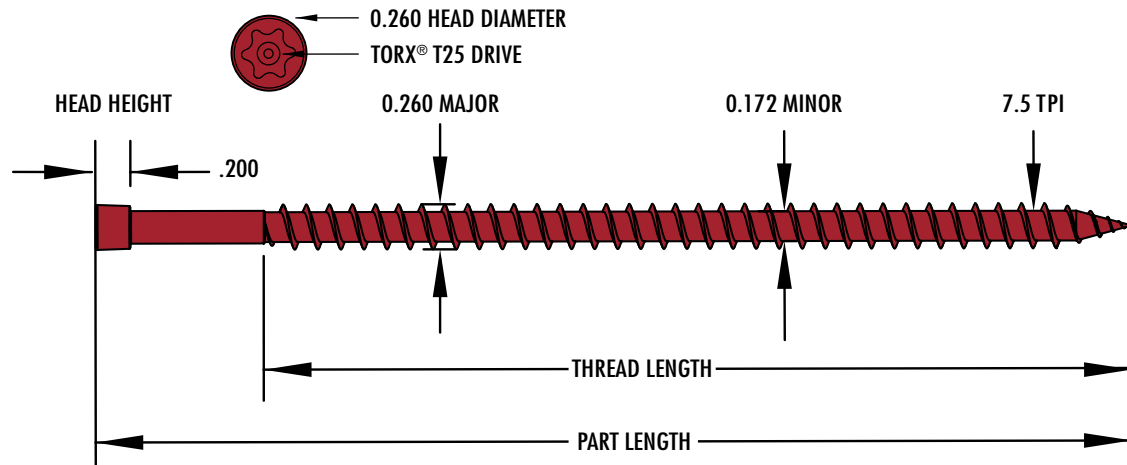
FrameFAST™ Wood Framing System	43
TimberLOK® Heavy Duty Wood Screw	45
HeadLOK® Heavy Duty Flathead Fastener	47
LedgerLOK® Ledger Board Fastener	48
FlatLOK® Structural Wood Screw	49
ThruLOK® Through-Bolt Replacement	53
Lateral Tension System® Code Compliant Lateral Deck Attachment	55
Reference Charts	57

GutterScrew SKU Selection Guide

COLOR	PACKAGING QTY	SKU
Brown	10 pc clamshell	FMGUT007-10BR
Brown	25 pc box	FMGUT007-25BR
White	10 pc clamshell	FMGUT007-10W
White	25 pc box	FMGUT007-25W

FrameFAST™

PRODUCT SPECIFICATION



FrameFAST Selection Guide		
Part Length	Thread Length	Part Number
6"	5"	FMFF006

FRAMEFAST SAMPLE APPLICATIONS

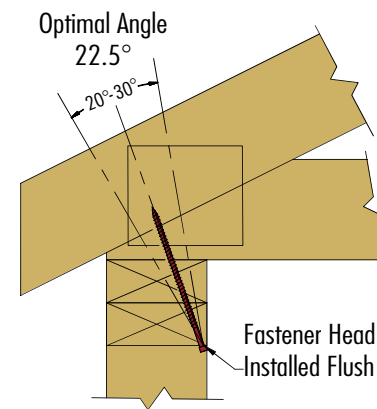
Truss/Rafter to Top Plate Connection

The FrameFAST fastener can be used as a direct replacement for most hurricane ties to resist uplift and lateral loads on trusses or rafters attached to the top plates of the wall. To verify the adequacy for your specific connection, make sure that the allowable loads in **Table 1** exceed the design loads on the plan or allowable loads for the connector being specified. For complete installation instructions and additional technical information, consult the **Truss and Rafter to Top Plate Technical Evaluation Report, TER No. 1503-03**, available at www.FastenMaster.com.

Uplift			Shear Perpendicular to Wall			Shear Parallel to Wall		
SPF / H. Fir	D. Fir	S. Pine	SPF / H. Fir	D. Fir	S. Pine	SPF / H. Fir	D. Fir	S. Pine
595	655	690	400	455	485	330	300	285

Table 1 Footnotes

- A standard wind load duration factor of 1.6 has been applied per NDS Table 2.3.3. Adjustments to lower this factor may be made at the engineer's discretion. No further increase is allowed.
- Assumes fastener installed using the FrameFAST tool into double top plate or 3" from top of header beam with the fastener head driven within 1/4" of flush.
- For applications where wall and roof framing members are of different species use the allowable load corresponding to the weaker species.
- Tabulated loads based on testing to ICC-ES AC233 and application specific testing as reported in Technical Evaluation Report 1503-03.

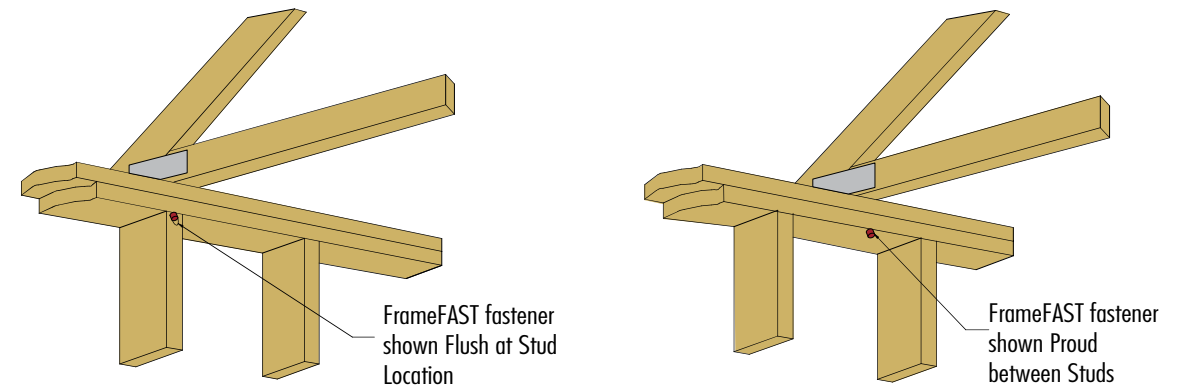


Fastener Depth:

The FrameFAST fastener is designed to be installed with the head either sunk flush with the wall framing or left up to 1/4" proud to allow for easier inspection when needed. To ensure a consistent and accurate fastener depth, ensure that the head of the FrameFAST tool is held flush to the top plate during installation. To adjust the tool for leaving the fastener head proud, simply reposition the Spacer Tab from the tool handle to the bottom of the hexagonal shaft.

Over Studs and Headers:

The FrameFAST fastener is designed to be used when the truss or rafter falls directly over a stud / header or in the cavity between studs. The FrameFAST tool is designed to deliver the fastener at the correct angle in order to ensure the proper angle as well as keep the fastener out of the way of the drywall. There are no reductions needed when the screw is used in the cavity vs over a stud.



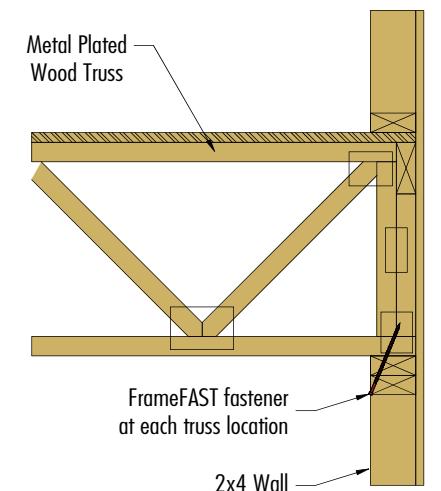
Girder Truss Applications:

The FrameFAST fastener and tool can be used in multi ply girder applications. To use the tool simply articulate one of the metal alignment wings out of the way to make the head of the tool align with the truss. A reduction factor of 0.8 should be taken for each screw when installing in this application.

Floor Truss Application:

When plans call for an uplift connector on floor trusses the FrameFAST fastener and tool can be used to make this connection as well. In order to use the tool both of the alignment wings need to be in the down position. Make sure to center the tool under the bottom cord of the member.

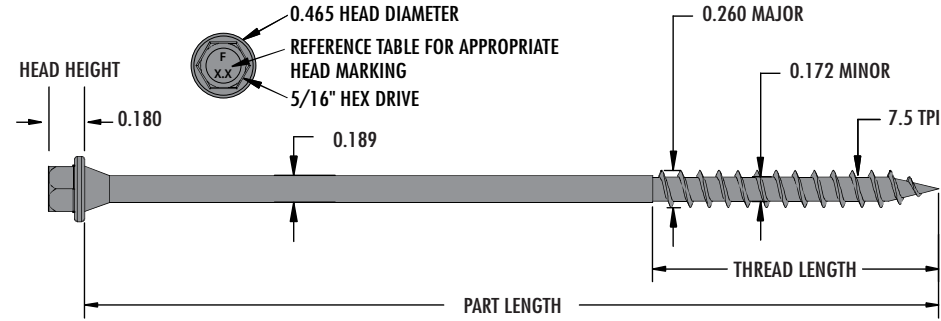
Species	Uplift
SPF / H. Fir (0.42)	535 lbs
D. Fir (0.5)	590 lbs
S. Pine (0.55)	621 lbs



For technical support or to place an order: 800-518-3569 or www.FastenMaster.com

TimberLOK[®]

PRODUCT SPECIFICATION



TimberLOK Selection Guide			
Part Length	Thread Length	Head Markings	Part Number
2 1/2"	1 1/4"	F2.5	FMTLOK212
4"	2"	F4.0	FMTLOK04
6"	2"	F6.0	FMTLOK06
8"	2"	F8.0	FMTLOK08
10"	2"	F10.0	FMTLOK10

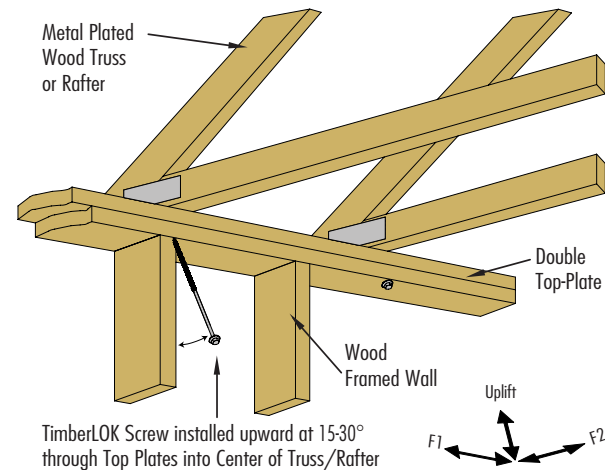
TIMBERLOK SAMPLE APPLICATIONS

Truss/Rafter to Top Plate Connection

The 6" TimberLOK[®] can be used in many cases as a replacement for hurricane ties used to resist uplift and lateral loads on trusses and rafters attached to the top plates of the wall. To verify the adequacy for your specific connection, make sure the allowable loads in **Table A** exceed the design loads on the plan or allowable loads for the connector being specified. For instructions and additional technical information, consult the **Truss and Rafter to Top Plate Technical Evaluation Report, TER No. 1105-02**, available at www.FastenMaster.com.

Table A Allowable Loads (160)								
Uplift			Shear Parallel to Wall			Shear Perpendicular to Wall		
SPF H. Fir	D. Fir	S. Pine	SPF H. Fir	D. Fir	S. Pine	SPF H. Fir	D. Fir	S. Pine
410	510	570	340	380	410	370	420	450

- Table A Footnotes**
- A standard wind load duration factor of 1.6 has been applied per NDS Table 2.3.3. Adjustments to lower this factor may be made at the engineers discretion. No further increase allowed
 - Assumes a nominal 2x truss chord installed over double top plate or 3" of solid wood
 - For applications with members of different species, use the allowable load corresponding to the lowest specific gravity
 - Tabulated loads based on ICC-ES Report ESR #1078. Additional third party system testing used to confirm values and adequacy of edge and end distances



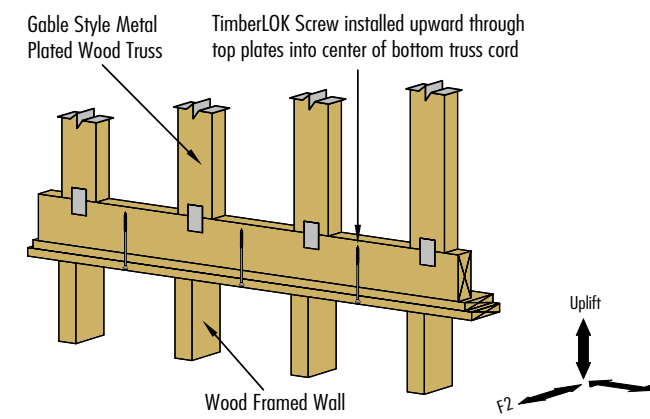
Gable Truss Connection and Drag Truss Connection

The 4" and 6" TimberLOK[®] can be used in gable and drag trusses to resist the uplift and shear forces from wind and seismic events. The current methods for making these connections include the use of angled connectors and multiple nails. In most cases, the TimberLOK fasteners can be placed at equal or greater spacing than the ties they are replacing. Refer to **Table B** for proper design of these connections. For instructions and additional technical information, consult the **Gable Truss to Top Plate Technical Evaluation Report, TER No. 1304-02**, or **Drag Strut to Wall Plate Technical Evaluation Report, TER No. 1306-01**, available at www.FastenMaster.com.

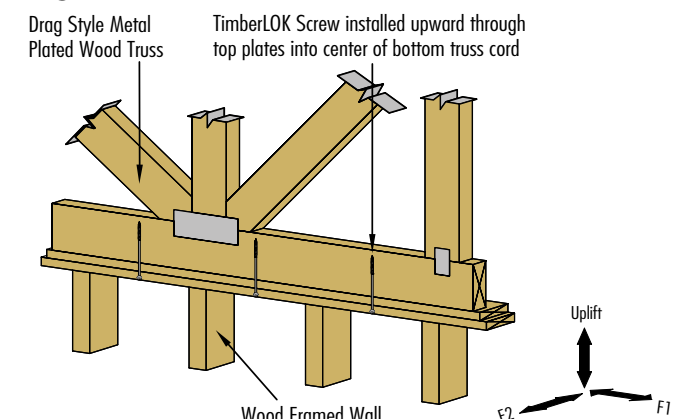
Table B Allowable Loads (160)								
Uplift			Shear Parallel to Wall			Shear Perpendicular to Wall		
SPF/H. Fir	D. Fir	S. Pine	SPF/H. Fir	D. Fir	S. Pine	SPF/H. Fir	D. Fir	S. Pine
410	510	570	370	420	420	340	380	380

- Table B Footnotes**
- A standard wind load duration factor of 1.6 has been applied per NDS Table 2.3.3. Adjustments to lower this factor may be made at the engineers discretion. No further increase allowed
 - Assumes a nominal 2x truss chord installed over 2x rim, single or double top plate
 - For applications with members of different species, use the lowest allowable load to design the connection
 - Tabulated loads based on ICC-ES Report ESR #1078. Additional third party system testing used to confirm values and adequacy of edge and end distances

Gable Truss Connection



Drag Truss Connection

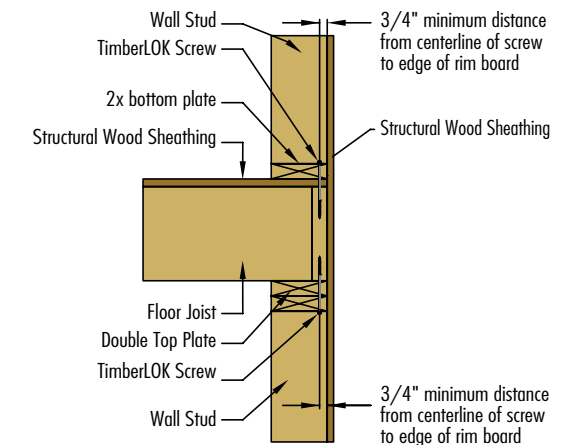


Shear Wall Connection

The 4", 6" and 8" TimberLOK[®] can be used in shear wall or portal frame construction to resist the shear forces exerted on the top and bottom wall plates to the adjacent rim. Typically, the shear being transferred between these plies can only be accomplished through the use of excessive nail patterns. The increased strength of the TimberLOK fastener, as shown in **Table C**, allows for greater connection strength with significantly less fasteners. For instructions and additional technical information, consult the **Wall to Rim Joist Technical Evaluation Report, TER No. 1306-05**, available at www.FastenMaster.com.

Table C Allowable Loads (160)			
Shear Parallel to Wall		Shear Perpendicular to Wall	
SPF/H. Fir	D. Fir/S. Pine	SPF/H. Fir	D. Fir/S. Pine
340	380	370	420

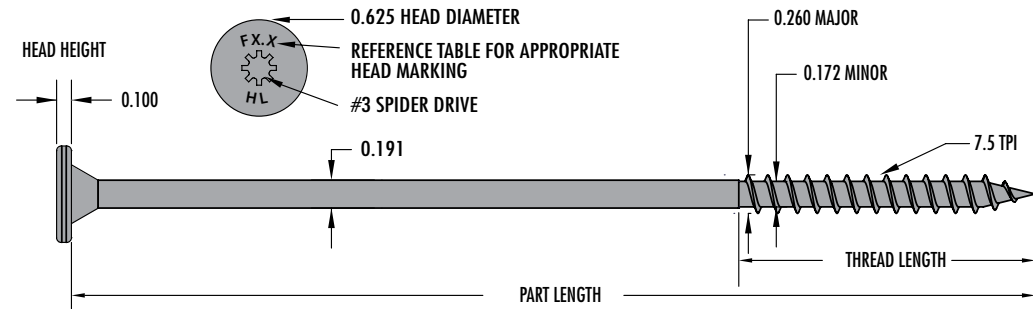
- Table C Footnotes**
- A standard wind load duration factor of 1.6 has been applied per NDS Table 2.3.3. Adjustments to lower this factor may be made at the engineers discretion. No further increase allowed
 - Assumes full thread penetration into wood rim board with a minimum 2" nominal thickness
 - Tabulated loads based on ICC-ES Report ESR #1078. Additional testing to ASTM D-1761 used to confirm adequate minimum edge and end distances
 - For applications with members of different species, use the lowest allowable load to design the connection



For technical support or to place an order: 800-518-3569 or www.FastenMaster.com

HeadLOK[®]

PRODUCT SPECIFICATION



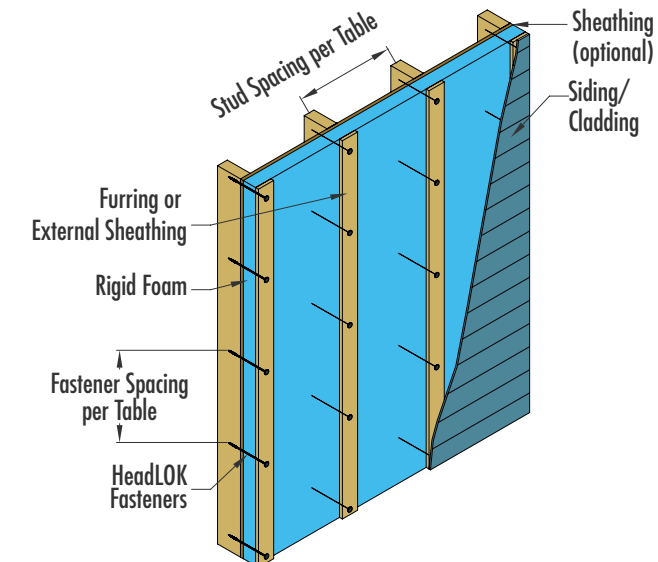
HeadLOK Selection Guide			
Part Length	Thread Length	Head Markings	Part Number
2 7/8"	2"	F2.9HL	FMHLGM278
4 1/2"	2"	F4.5HL	FMHLGM412
6"	2"	F6.0HL	FMHLGM006

Other Lengths: 1 5/8", 3 3/4", 5", 5 1/2", 6 1/2", 7", 7 1/2", 8", 8 1/2", 9", 9 1/2", 10", 11", 12", 13", 14", 15", 16", 18"

HEADLOK SAMPLE APPLICATION

Attachment of Furring or Sheathing over Rigid Foam

Recent changes in the Energy Code have resulted in an increased use of rigid insulation over exterior walls. Attaching the finish materials (siding) requires a furring strip or sheathing be mechanically attached to the structural framing of the building over the insulation layer. The HeadLOK has been tested and approved for use in this unique cantilevered condition. A guide to proper fastening is shown in **Table A**. For instructions and additional technical information, consult the **Rigid Foam to Wood Framing Technical Evaluation Report, TER 1009-01**, at www.FastenMaster.com.



HeadLOK Allowable Loads									
Withdrawal			Head Pull Through			Shear			
						Perp. to Grain		Parallel to Grain	
SPF/H.Fir	D.Fir	S.Pine	SPF/H.Fir	D.Fir	S.Pine	SPF/H.Fir	D.Fir/S.Pine	SPF/H.Fir	D.Fir/S.Pine
340	440	520	400	520	600	230	270	250	290

Footnotes

- Values above taken from ICC Evaluation Report ESR #1078
- Loads have not been increased to accommodate for NDS load durations or other factors
- Withdrawal values assume full thread penetration into main member
- Head pull through values assume 1 1/2" or greater side member under head
- Shear values assume a min. side member thickness of 1 1/2" & main member thickness of 2 1/2"

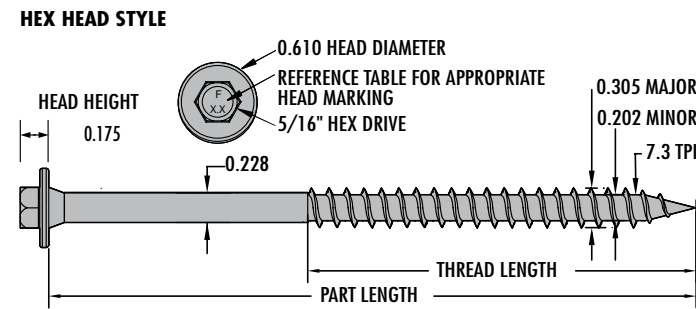
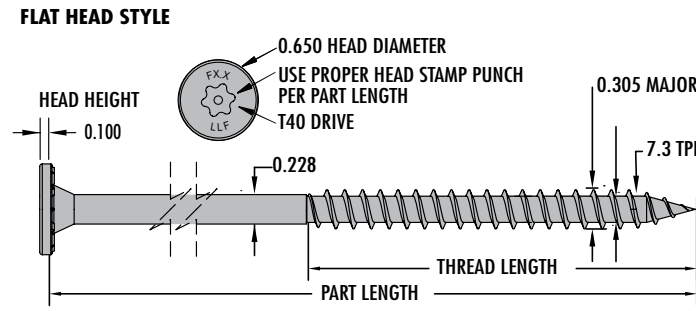
Table A Rigid Foam Application					
Recommended Spacing Between Fasteners - Inches					
Exterior Layer	Foam Thickness Inches	Max. Allowable Cladding Weight (psf) to be Supported			
		10	15	20	25
1 x 4 Furring over Foam	1				
	1.5		24	16	
	2				12
	3	16	12	8	
4				NA	
3/8" Sheathing over Foam	1				
	1.5		12		
	2				
	3			8	
4				6	

Table A Footnotes

- Table patterns generated through testing and reported in TER 1009-01
- Assumes 2" minimum thread engagement into stud or stud/sheathing
- Patterns based on 24" on center stud spacing. Less restrictive patterns available for 16" stud spacing in TER 1009-01

LedgerLOK[®]

PRODUCT SPECIFICATION



LedgerLOK Selection Guide

Hex Head Selection Guide

Part Length	Thread Length	Head Markings	Part Number
3 5/8"	2"	F3.6	FMLL358
5"	3"	F5.0	FMLL005

Flat Head Selection Guide

Part Length	Thread Length	Head Markings	Part Number
3 5/8"	2"	LLF3.6	FMLLF358
5"	3"	LLF5.0	FMLLF005

LedgerLOK Allowable Loads			
Shear		Withdrawal	
SPF/H. Fir	D. Fir/S. Pine	SPF/H. Fir	D. Fir/S. Pine
250	310	315	405

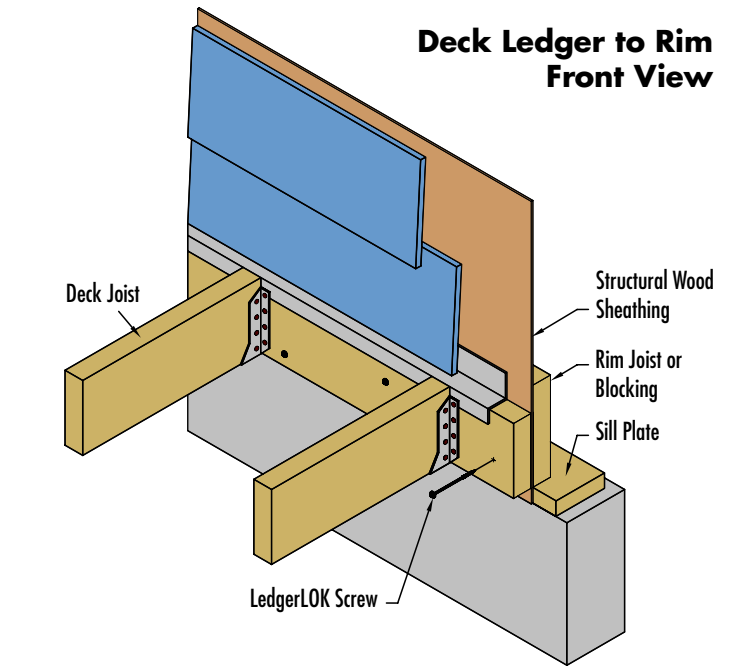
Footnotes

- Values above taken from ICC Evaluation Report ESR #1078
- Loads have not been increased to accommodate for NDS load durations or other factors
- Shear values assume a minimum side member of 1 1/2" and main member of 1 1/2"
- Withdrawal loads assume a minimum side thread penetration of 1 1/2" into rim board

LEDGERLOK APPLICATION

Deck Ledger to Rim Board Connection

One of the most critical connections when designing and building an exterior deck is between the deck ledger and the rim board of the house. Recent changes in code have addressed this application with specific lag screw spacing requirements. The LedgerLOK has been designed and tested to make this attachment in a code compliant manner without the need for predrilling. Refer to **Table A** for a general fastening guide. For instructions and additional technical information, consult the **Deck Ledger to Rim Technical Evaluation Report, TER No. 1203-03**, available at www.FasterMaster.com.



Footnote

- Fasteners should be installed in a staggered pattern at least 1 3/4" from top or bottom edge and 3 3/4" from end of the ledger and rim board

Table A Ledger to Rim Application							
IRC Code Compliant Spacing of LedgerLOK Fasteners							
Max. span from ledger to beam	6'	8'	10'	12'	14'	16'	18'
Spacing between fasteners	20"	15"	12"	10"	8"	7"	6"

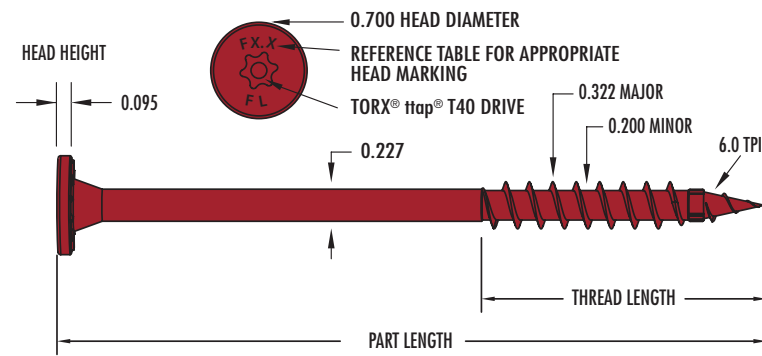
Table A Footnotes

- Assumes 2 x 8 or greater nominal ledger board of treated Hem Fir or denser wood (D. Fir, S. Pine)
- Rim board may be 1" or greater in thickness and SPF or denser wood including LSL engineered wood rim material
- Spacing based on 40 psf live load and 10 psf dead load conditions. Adjustments made for wet service conditions
- Tabulated loads based on ICC-ES Report ESR #1078. Additional third party system testing to ASTM D-1761 used to provide equal strength to IRC Table 502.2.2 (2009)

For technical support or to place an order: 800-518-3569 or www.FastenMaster.com

FlatLOK[®]

PRODUCT SPECIFICATION



FlatLOK Selection Guide			
Part Length	Thread Length	Head Markings	Part Number
2 7/8"	1 3/4"	F2.9	FMFL278
3 1/2"	2"	F3.5	FMFL312
4"	2"	F4.0	FMFL004
4 1/2"	2"	F4.5	FMFL412
5"	2"	F5.0	FMFL005
6"	2"	F6.0	FMFL006
6 3/4"	2"	F6.7	FMFL634

Table A Uniform Side Load Capacity (plf) Engineered Beam							
Rows	Spacing	Detail A	Detail B	Detail C	Detail D	Detail E	Detail F
2	24	660	490	490	440	660	440
2	16	990	740	740	660	990	660
2	12	1320	980	980	880	1320	880
3	16	1480	1110	1110	990	1480	990
3	12	1980	1480	1480	1320	1980	1320
4	12	2640	1970	1970	1760	2640	1760

Table A Footnotes

- Values above calculated using individual FlatLOK properties taken from testing to ICC-ES Acceptance Criteria AC233
- Loads have not been increased to accommodate for NDS load duration or other factors

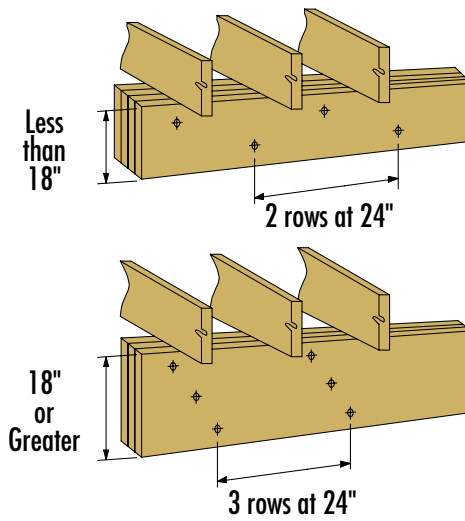
FLATLOK SAMPLE APPLICATIONS

Multiple-Ply Engineered Wood Beam Connection

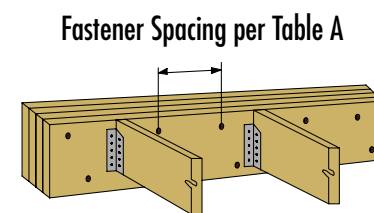
When joining together multiple plies of engineered wood together to act as a single beam, nailing patterns are typically aggressive, only satisfy up to three plies and require access to both sides. Through-bolts can be used to reduce the number of fasteners but require considerably more labor and cost to install.

The FlatLOK has been designed specifically to be installed from one side and to carry both top and side loads. Refer to the details below for common application guide lines. For more detailed design information, refer to Technical Evaluation Report, TER No. 1501-08 available at www.FastenMaster.com.

Top Loaded Beams



Side Loaded Beams



Footnotes

- Fasteners should be installed in a staggered pattern at least 1 3/4" from top or bottom edge and 3 3/4" from either end of the beam

Multiple-Ply Wood Truss Connection

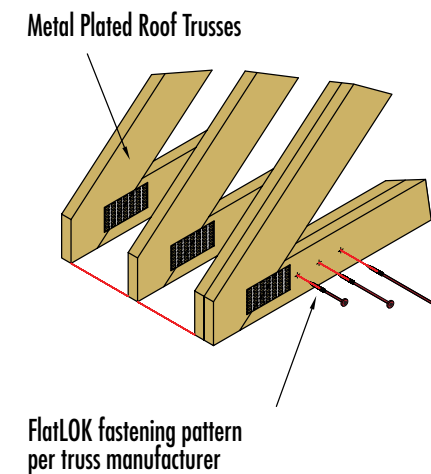
Multiple roof trusses coupled together, commonly referred to as girder trusses, are used to address increased loads concentrated or uniformly applied to roof framing members. Nails are typically used to join these plies but can loosen during the truss installation process. Bolts are another option but require significantly more installation time and expense. The FlatLOK, installed from one side for up to four plies, makes this task easier and stronger than the other options. A design professional should be consulted to determine the proper fastener placement using the **Allowable Load Table B**. For more detailed information, consult the **TER 1501-08** available at www.FastenMaster.com.

Table B Allowable Load Capacity (plf) Dimensional Beam														
Spruce-Pine-Fir					Douglas-Fir					Southern Pine				
Rows	Spacing	Detail A	Detail B	Detail C	Rows	Spacing	Detail A	Detail B	Detail C	Rows	Spacing	Detail A	Detail B	Detail C
2	24	400	300	270	2	24	520	390	350	2	24	580	430	390
2	16	600	450	400	2	16	780	580	520	2	16	870	650	580
2	12	800	600	530	2	12	1040	780	690	2	12	1160	870	770
3	16	900	670	600	3	16	1170	870	780	3	16	1300	970	870
3	12	1200	900	800	3	12	1560	1160	1040	3	12	1740	1300	1160
4	12	1600	1200	1070	4	12	2080	1550	1390	4	12	2320	1730	1550

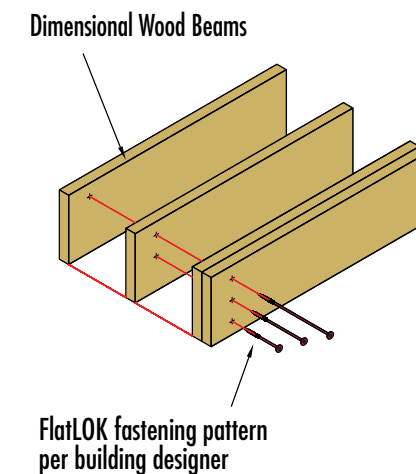
Table B Footnotes

- Values above calculated using individual FlatLOK properties taken from testing to ICC-ES Acceptance Criteria AC233
- Loads have not been increased to accommodate for NDS load duration or other factors

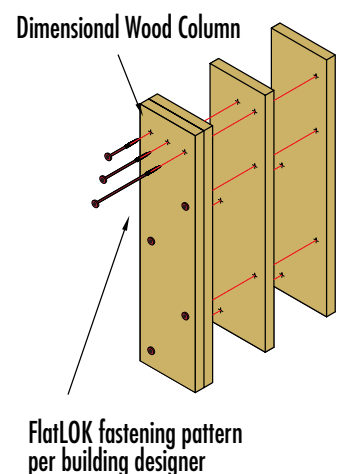
Multi-Ply Truss Connection



Multi-Ply Dimensional Lumber Beam



Multi-Ply Dimensional Lumber Column

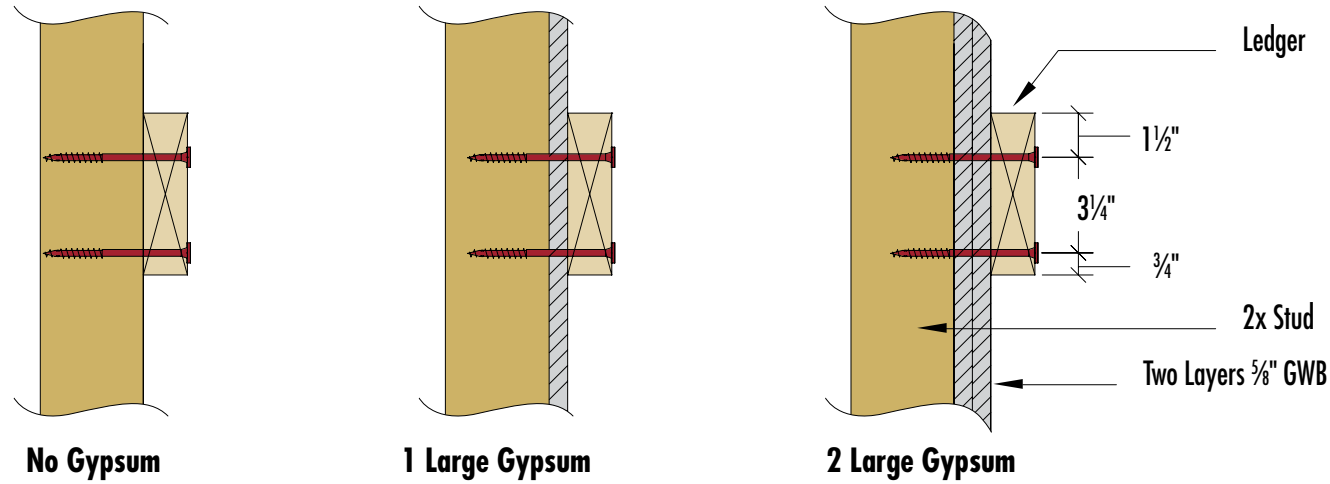


For technical support or to place an order: 800-518-3569 or www.FastenMaster.com

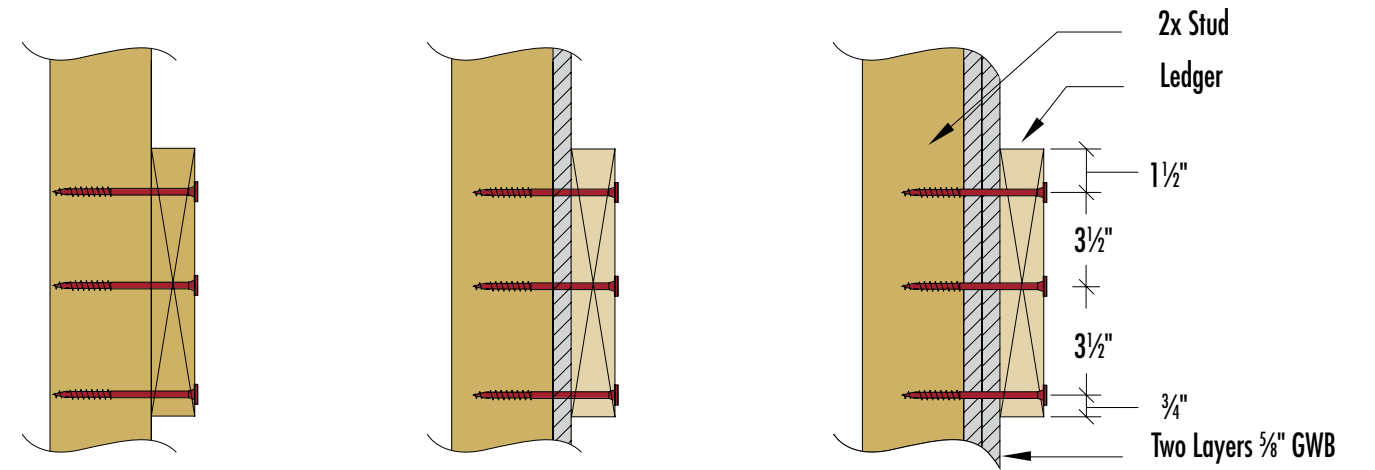
Ledger to Stud Configurations

Ledgers are used for interior construction to support corridor floor spans and stairwell landings. In most cases these are installed over layers of gypsum to achieve the appropriate fire rating and then into vertical studs. These unique conditions require a tested solution that considers both the cantilevered portion of the fastener and narrower edge of the framing used to make this connection. The FlatLOK has been evaluated and loads determined for this specific application when installed in accordance with the details below. For more detailed design information, refer to Technical Evaluation Report, TER No. 1611-01 available at www.FastenMaster.com.

2 x 6 Ledger



2 x 10 Ledger



2 x 8 Ledger

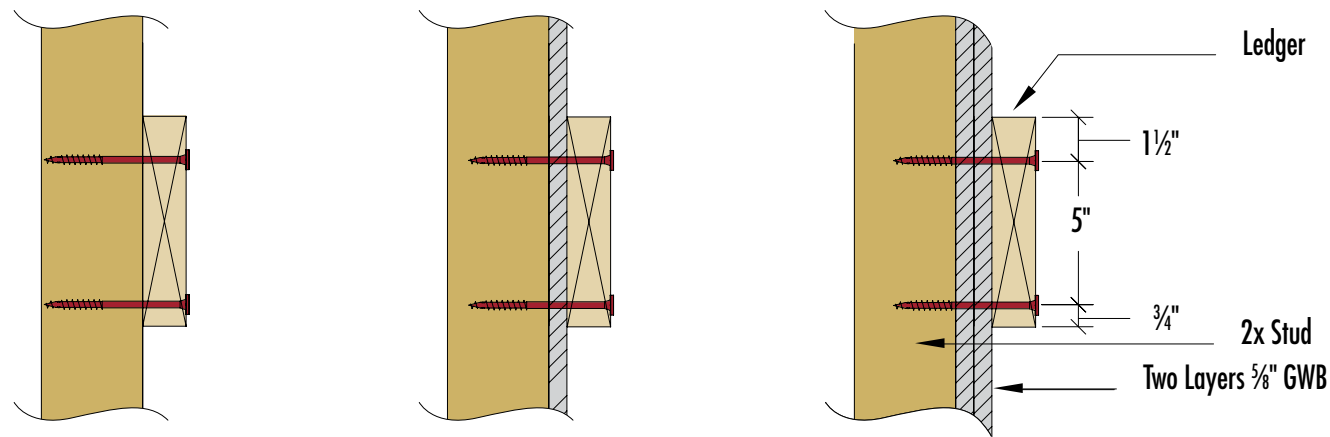


Table C Allowable Load per Stud Connection (lbs)

Approved FlatLOK Length					Wood Species		
4"	4-1/2"	5"	Ledger Size	Fasteners per Stud	SPF	D. Fir	S. Pine
•	•	•	2 x 6	2	360	510	795
	•	•	2 x 8	2	580	735	900
		•	2 x 10	3	805	860	1075

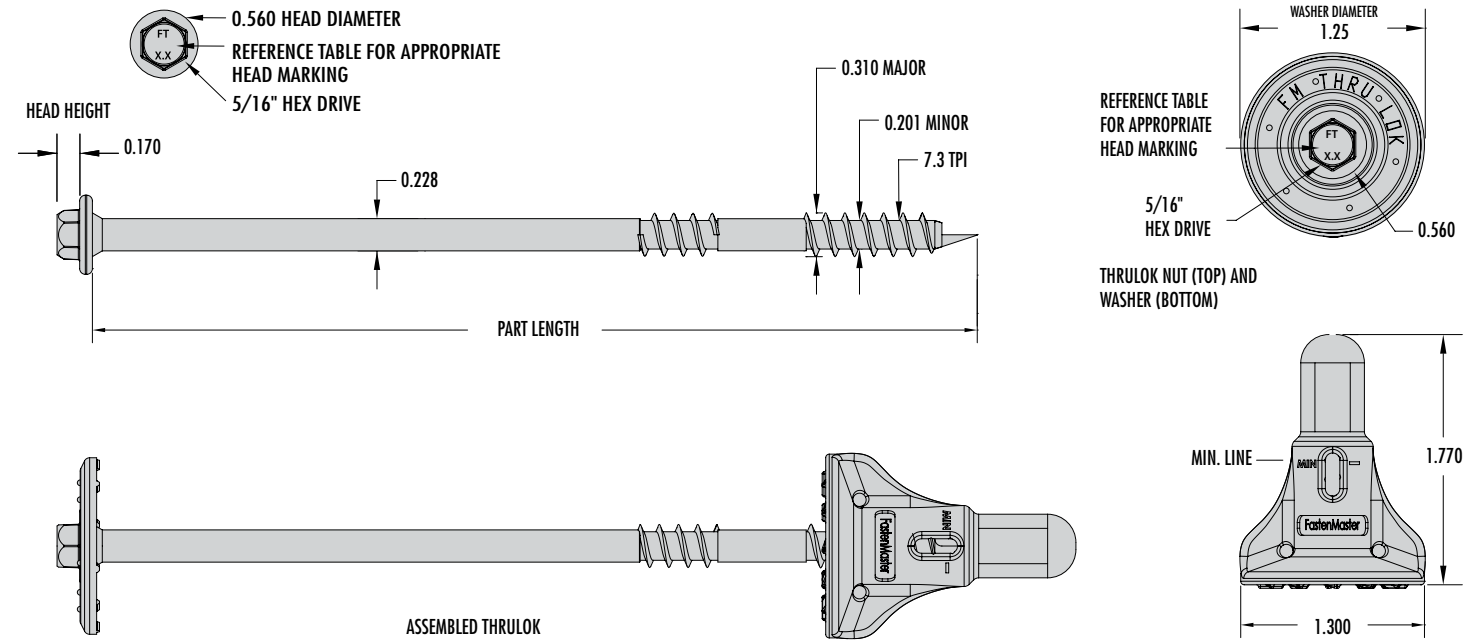
Footnotes

- Values taken from Technical Report TER #1611-01
- Loads apply where ledger is applied up to two layers of 5/8" gypsum
- Additional fasteners and closer patterns other than those listed not allowed as they may induce splitting
- Where ledger and stud materials differ in species, use the lower density wood values

For technical support or to place an order: 800-518-3569 or www.FastenMaster.com

ThruLOK[®]

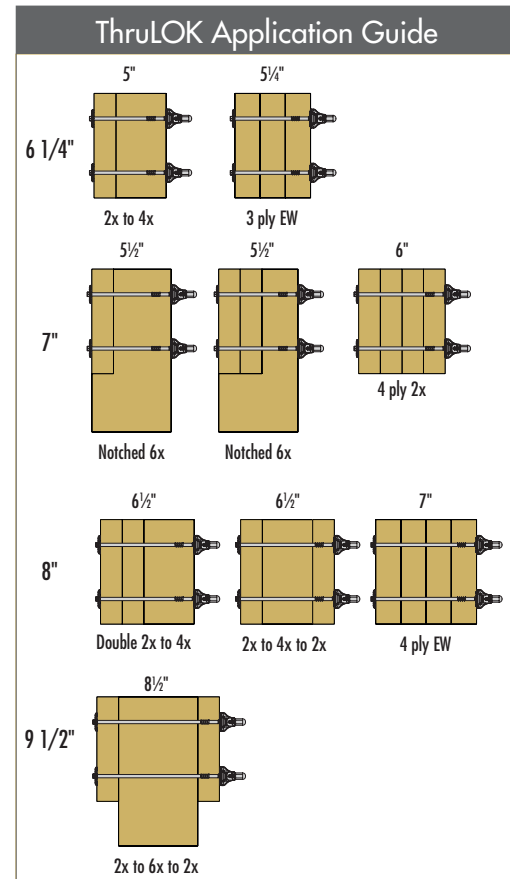
PRODUCT SPECIFICATION



ThruLOK Selection Guide				
Part Length	Application Thickness		Head Markings	Part Number
	Minimum	Maximum		
6 1/4"	4 1/2"	5 1/4"	FT6.2	FMTHR614
7"	5 1/4"	6"	FT7.0	FMTHR007
8"	6 1/4"	7"	FT8.0	FMTHR008
9 1/2"	7 3/4"	8 1/2"	FT9.5	FMTHR912

ThruLOK Allowable Loads						
Withdrawal & Head Pull Through			Shear			
			Perpendicular to Grain		Parallel to Grain	
SPF/H.Fir	D.Fir	S.Pine	SPF/H.Fir	D.Fir/S.Pine	SPF/H.Fir	D.Fir/S.Pine
680	900	1060	270	300	320	350

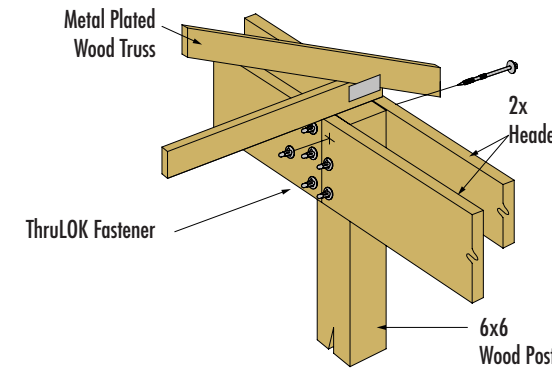
- Footnotes**
- Values above taken from ICC Evaluation Report ESR #1078
 - Loads have not been increased to accommodate for NDS load durations or other factors
 - Withdrawal & head pull through values assume fastener threaded into nut at least to "Min Line"
 - Shear and withdrawal values assume a minimum side member thickness of 1 1/2"



THRULOK SAMPLE APPLICATIONS

Pole Barn Header Connection

A typical detail in pole barn construction consists of 2x beams mounted to face or faces of 6x columns. Prefabricated trusses are then placed atop these beams. Bolting of the connections between column and beam(s) has become more common and in some states required by code. When properly installed, the ThruLOK Fastener can replace bolts. For instructions and additional technical information, consult the **Pole Barn Header Connection Technical Evaluation Report, TER 1308-11**, available at www.FastenMaster.com.

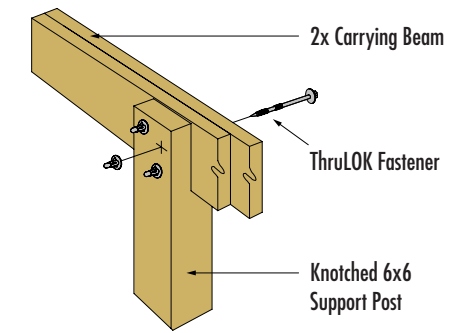


Total Building Width	Header & Column Species	Snow Load on Truss		
		20	30	40
		Number of Fasteners per Connection		
24	Hem Fir	4	6	6
	D.Fir / S.Pine	4	4	6
28	Hem Fir	6	6	8
	D.Fir / S.Pine	4	6	6
32	Hem Fir	6	8	8
	D.Fir / S.Pine	6	6	8
36	Hem Fir	6	8	NA
	D.Fir / S.Pine	6	6	8
40	Hem Fir	6	8	NA
	D.Fir / S.Pine	6	6	8

- Footnotes**
- Values above calculated using individual ThruLOK values from ICC Evaluation Report ESR #1078
 - Assumed loads of 10 plf for Bottom Chord (BC) Live and 5 plf BC Dead added to snow loads
 - Maximum column spacing of 8' on center with trusses nearest columns resting atop column
 - Table to be used as a guide only. Refer to TER 1308-11 for complete instructions & restrictions

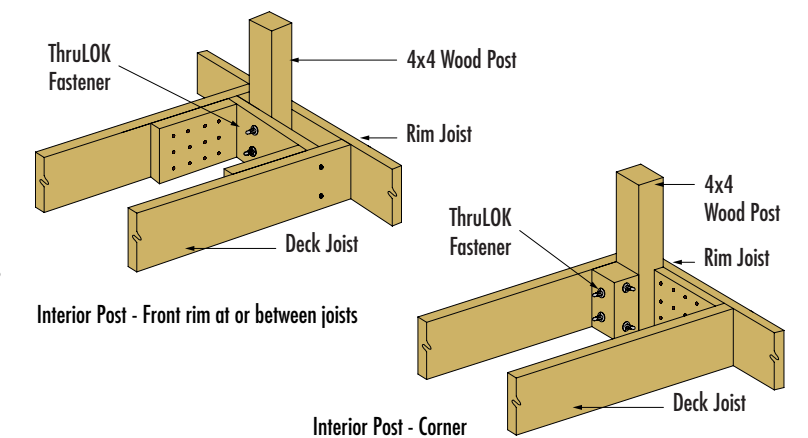
Deck Carrying Beam Connection

A common method of deck construction allows for carrying beams and notched 6x6 support posts to be bolted together using 1/2" or 5/8" through bolts. According to current code, "where posts and beam or girders construction is used to support floor framing, positive connections shall be provided to ensure against uplift and lateral displacement." When installed correctly, the 7" ThruLOK restrains against both of these forces equal to traditionally bolted connections with a faster and easier method of installation. For proper installation instructions including engineered solutions for the most common post to carrying beam configurations, refer to the **Deck Carrying Beam to Support Post** technical bulletin, at www.FastenMaster.com.



Deck Rail Post Connection

Current building code requires that guardrails and handrails must be designed to withstand a single concentrated load of 200 pounds in any direction. A critical part of this connection is making a strong tension connection between the guardrail post and the rim board of the deck. In most cases, 1/2" through-bolts or carriage bolts are used to make this connection. When installed as shown in our instructions, the ThruLOK offers a faster and easier method to meet the 200 pound design load for this part of the connection. For proper installation instructions including engineered solutions for the most common post to rim configurations, refer to the **Deck Hand Rail Post to Rim Joist** technical bulletin, at www.FastenMaster.com.

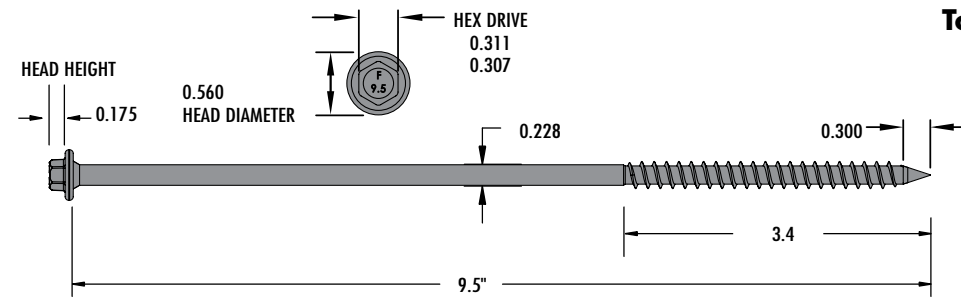


For technical support or to place an order: 800-518-3569 or www.FastenMaster.com

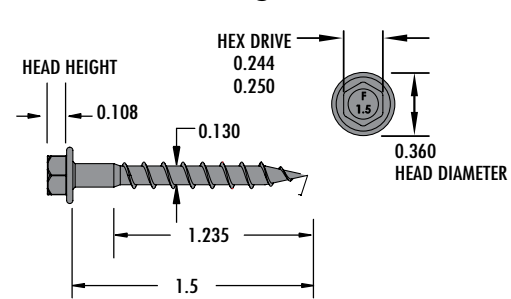
Lateral Tension System™

PRODUCT SPECIFICATION

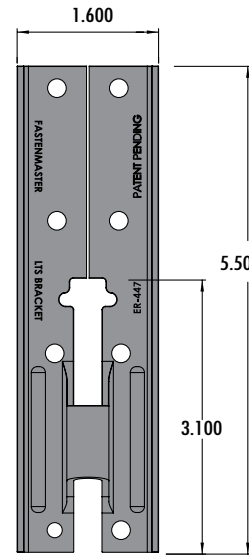
Tension Transfer Screw



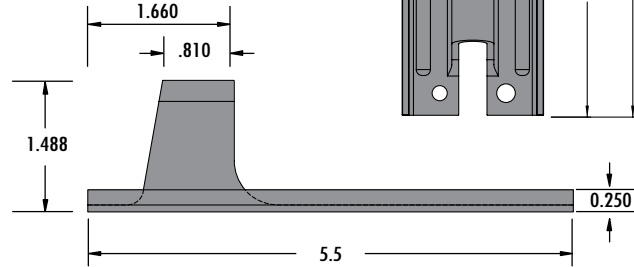
Bracket Mounting Screw



LTS Bracket Top View



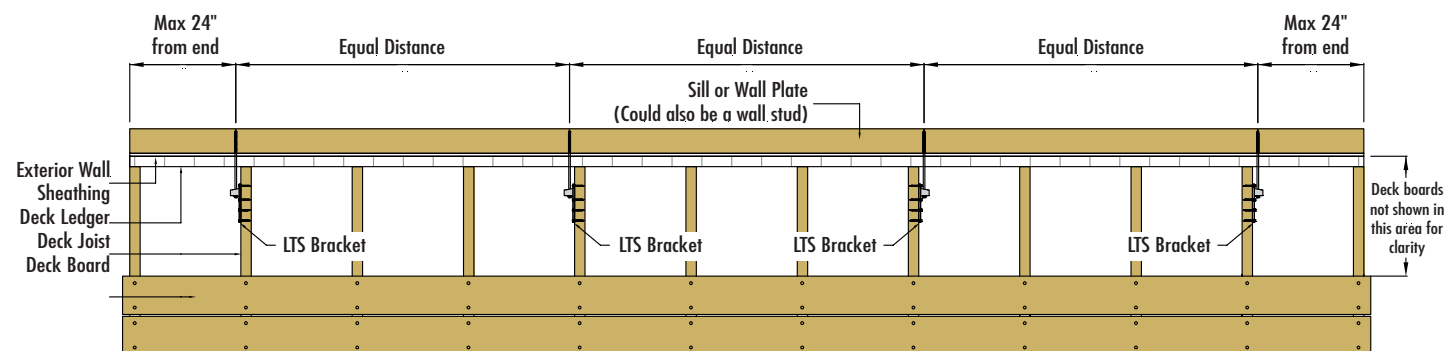
LTS Bracket Profile



LTS APPLICATIONS

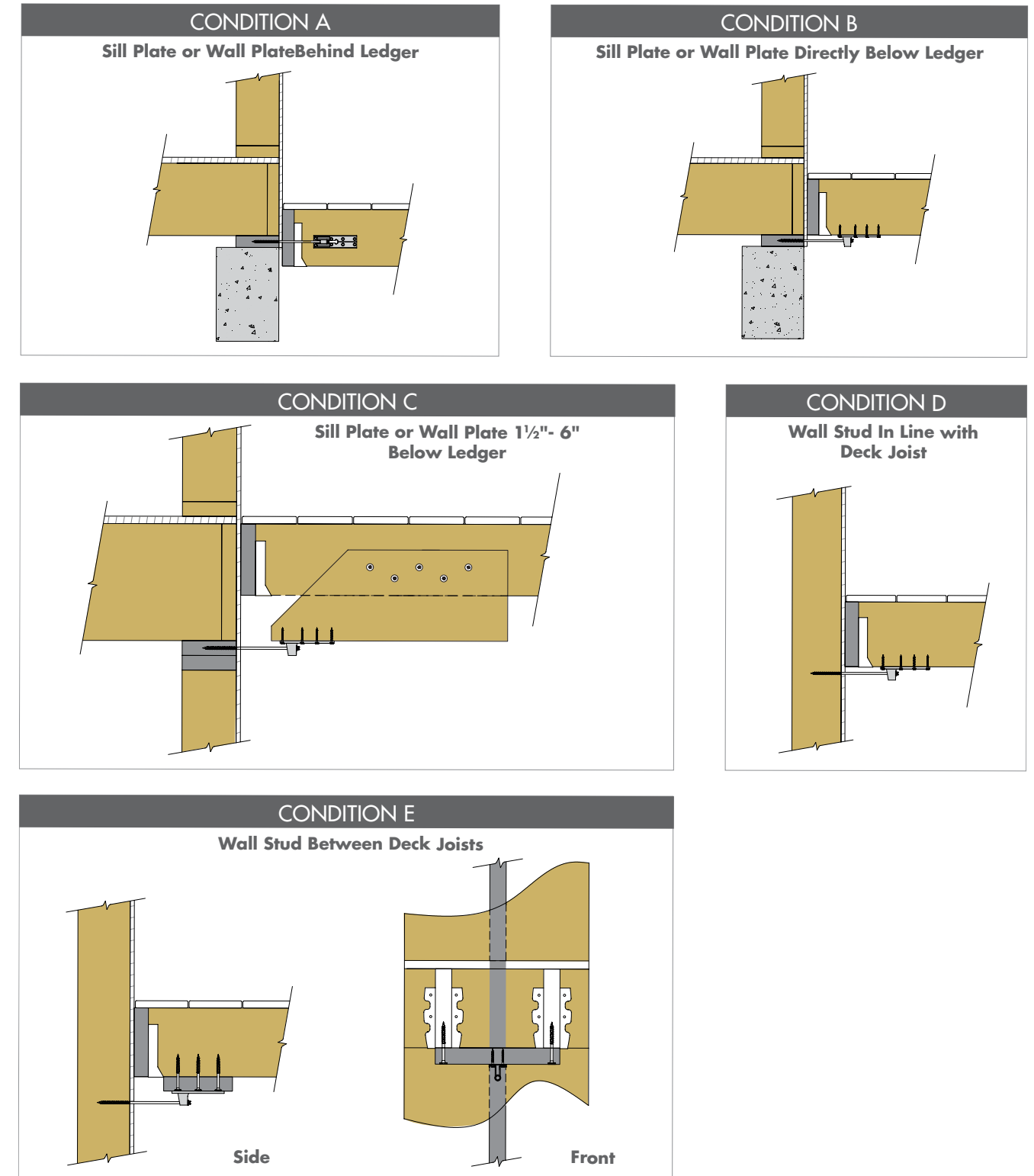
The 2015 code introduced a much easier and less invasive alternative method. This newest version allows for tension ties to be attached to the deck joist then fastened directly to an interior sill plate, wall plate or stud – all from the outside. These lateral connections must be designed to resist 750 pounds in tension and installed in four locations along the length of the ledger: one within 2' of each end of the ledger with two more evenly spaced between (see sample below). The FastenMaster (LTS) is a complete system designed to transfer the lateral forces on an exterior deck when attached to the wood frame of a structure. When installed per the enclosed instructions these connections meet the lateral load requirement in Section R507 of the International Residential Code.

Lateral Tension System Selection Guide			
Part Length	Thread Length	Head Markings	Part Number
9-1/2"	3.4"	F 1.5	FMLTS4



LATERAL TENSION SYSTEM SAMPLE APPLICATIONS

Select the appropriate ledger alignment condition, A through E, based on the orientation of the deck ledger to house framing member that applies to your specific deck. For instructions and additional technical information, consult the **Lateral Tension System Technical Evaluation Report**, available at www.FastenMaster.com.



For technical support or to place an order: 800-518-3569 or www.FastenMaster.com

REFERENCE CHARTS

The following tables are taken from ICC-ES ESR-1078 Evaluation Report. These can be used for reference when designing connections other than those described in the preceding pages. Please refer to the full report for additional information including conditions of use and minimum edge and end distances. This can be found at www.FastenMaster.com or www.icc-es.org.

Table 1 Reference Withdrawal Design Values (W) ^{1,2,3}							
[Reference withdrawal design values (W) are in pounds per inch of thread penetration into side grain of main member]							
Fastener	Thread Length, L ⁴ (inches)	W (lbf./in.) for Specific Gravities of:					
		0.57	0.55	0.50	0.46	0.43	0.42
OlyLog/TimberLOK	1.25 or 2.0	270	260	220	200	180	170
HeadLOK	2.0	290	270	230	200	180	170
LedgerLOK/LogHog	2.0 or 3.0	330	310	270	240	220	210
TrussLOK	1 1/2	—	—	180	—	—	—
ThruLOK ⁽⁶⁾	NA	1140	1060	900	780	700	680

For SI: 1 inch = 25.4 mm, 1 lbf/in = 175 N/m.

¹Tabulated reference withdrawal design values, W, apply to fasteners driven into the side grain of the main member, such that the screws are oriented perpendicular to the grain and loaded in direct withdrawal.

²Reference withdrawal design values must be multiplied by all applicable adjustment factors, in accordance with Section 4.1.

³Reference withdrawal design values are to be multiplied by the length of thread penetration into the main member, but must not exceed the head pull-through design values given in Table 2. Threaded length includes the tapered tip.

⁴See Tables 1A through 1F for thread lengths corresponding to specific fastener model numbers.

⁵The ThruLOK must be used with the ThruLOK washer and nut (supplied with the fastener). The nut must be installed such that it is snug against the main member, and at least 1/2" of the threaded portion of the shank (not including the tip) is within the nut.

⁶Tabulated withdrawal values for the ThruLOK are based on the head pull-through design values given in Table 2, as these values will govern designs in which the screw is subject to axial tension, where the ThruLOK is properly installed with the ThruLOK washer and nut (see footnote 5 above).

Table 2 Reference Head Pull-Through Design Values (P) ^{1,2}							
Fastener	Minimum Side Member Thickness (inches)	P (lbf) for Specific Gravities of:					
		0.57	0.55	0.50	0.46	0.43	0.42
OlyLog/TimberLOK	1.5	220	200	160	130	110	110
HeadLOK	1.5	630	600	520	460	410	400
LedgerLOK/LogHog	1.5	320	290	240	200	180	170
TrussLOK	1.5	—	—	260	—	—	—
ThruLOK ⁽³⁾	1.5	1140	1060	900	780	700	680

For SI: 1 inch = 25.4 mm, 1 pound = 4.448 kPa.

¹Reference head pull-through design values, P, must be multiplied by all applicable adjustment factors, in accordance with Section 4.1

²Design values apply to connections with minimum side member thicknesses, t, as given above

³The ThruLOK must be used with the ThruLOK washer and nut (supplied with the fastener). The nut must be installed such that it is snug against the main member, and at least 1/2" of the threaded portion of the shank (not including the tip) is within the nut

Table 3 Reference Lateral Design Values (Z) for Single Shear (Two Member) Wood-to-Wood Connections Loaded Parallel (Z) or Perpendicular (Z _⊥) to the Grain ^{1,2}									
Fastener		Minimum Side Member Thickness ³ , t _s (inches)	Minimum Main Member Penetration ⁴ , p (inches)	Z (lbf) for Minimum Specific Gravities of:					
				0.50		0.46		0.42	
Designation	Length (inches)			Z	Z _⊥	Z	Z _⊥	Z	Z _⊥
OlyLog/TimberLOK	2 1/2	1 1/2	1	240	220	220	200	200	180
	4 & longer	1 1/2	2 1/2	280	260	260	230	240	210
	6 & longer	2 1/2	3 1/2	290	270	270	250	250	230
	8 & longer	3	5	290	270	260	250	240	230
HeadLOK	2 7/8	1 1/2	1 3/8	240	210	220	180	210	150
	4 1/2	1 1/2	3	280	260	260	240	250	220
	6 & longer	1 1/2	4 1/2	290	270	270	250	250	230
	6 & longer	2 1/2	3 1/2	300	280	280	260	270	240
	8 & longer	3	5	290	280	280	260	260	230
LedgerLOK	3 5/8	1 1/2	1 1/2	—	260	—	220	—	220
	3 5/8	1 1/2	2 1/8	310	310	290	280	270	250
	5	1 1/2	3 1/2	320	300	300	280	280	260
LogHog	9 & longer	6	3	310	300	290	280	270	260
TrussLOK	3 3/8	1 3/4	1 5/8	320	290	300	270	280	260
	5	1 3/4	3 1/4	330	300	310	270	290	250
	6 3/4	1 3/4	5	330	310	310	290	290	270
Fastener		Minimum Side Member Thickness ³ , t _s (inches)	Minimum Main Member Penetration ⁴ , p (inches)	Z (lbf) for Minimum Specific Gravities of:					
				0.5		0.46		0.42	
Designation	Length (inches)			Z	Z _⊥	Z	Z _⊥	Z	Z _⊥
ThruLOK ⁽⁵⁾	6 1/4	1 1/2	3 1/4 4 1/4	350	320	320	300	300	270
	7	1 1/2	4 5	350	330	320	300	300	270
	8	1 1/2	3 1/2 4 1/2	350	330	320	300	300	270

For SI: 1 inch = 25.4 mm, 1 pound = 4.448kPa.

¹Tabulated reference lateral design values, Z, apply to single shear (two-member) connections with wood main and side members having specific gravity as shown, in which the screw is oriented perpendicular to the grain and loaded laterally either parallel or perpendicular to the grain. For connections in which the main and side members have different specific gravities, use the lower of the two. Gaps are not permitted between the main and side members.

²Values must be multiplied by all applicable adjustment factors, in accordance with Section 4.1.

³Side members with thicknesses greater than the tabulated minimum side member thickness may be used, provided the corresponding tabulated minimum main member penetration is still achieved for the given screw length.

⁴Minimum main member penetration is the minimum length of the screw (including threaded, unthreaded and tip length) that must be embedded within the main member.

⁵The ThruLOK must be installed with the washer and nut, and must penetrate through the opposite face of the main member a sufficient distance to allow the nut to be tightened snugly against the main member, with at least 1/2", and no more than 1 1/2" of the ThruLOK screw engaged within the nut.

For technical support or to place an order: 800-518-3569 or www.FastenMaster.com