

Genesis

GMT25T

2.5A Multi-Purpose Oscillating Tool

Outil oscillant à usages multiples de 2.5A

Herramienta oscilante multiuso de 2.5A

Operator's Manual

Manuel d'utilisation

Manual del Operario



TOLL FREE

HELP LINE:

WEBSITE:

888-552-8665

www.genesispowertools.com

MULTI-PURPOSE OSCILLATING TOOL, 2.5A

Operator's Manual

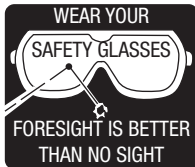
SPECIFICATIONS

- Model: ----- GMT25T
- Rated Power: ----- 120V~, 60Hz, 2.5A
- No-Load Speed: ----- 15,000-22,000 /min (OPM)
- Oscillations Angle: ----- 3°
- Net Weight: ----- 3 lbs

Includes: Oscillating Tool, Delta Sanding Pad, 12-Piece Sandpaper Assortment, Rigid Scraper Blade, Bi-Metal Flush Cut Blade, HSS Segmented Saw Blade, Coarse Tooth Flush Cut Blade and Accessory Storage Box.

⚠ WARNING: To reduce the risk of injury, user must read and understand this operator's manual before operating this tool. Save this Manual for future reference.

Toll-Free Help Line: 1-888-552-8665



⚠ WARNING: The Operation of any power tool can result in foreign objects being thrown into your eyes, which can result in severe eye damage. Before beginning tool operation, always wear safety goggles or safety glasses with side shields and a full face shield when needed. We recommend Wide Vision Safety Mask for use over eyeglasses or standard safety glasses with side shields. Always wear eye protection which is marked to comply with ANSI Z87.1.



Look for this symbol to point out important safety precautions. It means attention!!! Your safety is involved.

GENERAL SAFETY RULES

⚠ WARNING: Some dust created by power sanding, sawing, grinding, drilling, and other construction activities contains chemicals known to cause cancer, birth defects or other reproductive harm. Some examples of these chemicals are:

- Lead from lead-based paints.
- Crystalline silica from bricks and cement and other masonry products.
- Arsenic and chromium from chemically treated lumber.

Your risk from these exposures varies, depending on how often you do this type of work. To reduce your exposure to these chemicals: work in a well ventilated area, and work with approved safety equipment, such as those dust masks that are specially designed to filter out microscopic particles.

⚠ WARNING: Read and understand all warnings, cautions and operating instructions before using this equipment. Failure to follow all instructions listed below may result in electric shock, fire and/or serious personal injury.

SAVE THESE INSTRUCTIONS

WORK AREA SAFETY

- **Keep your work area clean and well lit.** Cluttered benches and dark areas invite accidents.
- **Do not operate power tools in explosive atmospheres,** such as in the presence of flammable liquids, gases, or dust. Power tools create sparks which may ignite the dust or fumes.
- **Keep bystanders, children, and visitors away while operating a power tool.** Distractions can cause you to lose control.

ELECTRICAL SAFETY

- **Power tool plugs must match the outlet.** Never modify the plug in any way. Do not use any adaptor plugs in any earthed (grounded) power tools. Double insulated tools are equipped with a polarized plug (one blade is wider than the other). This plug will fit in a polarized outlet only one way. If the plug does not fit fully in the outlet, reverse the plug. If it still does not fit, contact a qualified electrician to install a polarized outlet. Do not change the plug in any way. Double insulation eliminates the need for the three wire grounded power cord and grounded power supply system.
- **Do not expose power tools to rain or wet conditions.** Water entering a power tool will increase the risk of electric shock.
- **Avoid body contact with earthed or grounded surfaces such as pipes, radiators, ranges and refrigerators.** There is an increased risk of electric shock if your body is grounded.
- **Do not abuse the cord.** Never use the cord for carrying, pulling or unplugging the power tool. Keep cord away from heat, oil, sharp edges or moving parts. Damaged cords increase the risk of electric shock.
- **When operating a power tool outside, use an extension cord suitable for outdoor use.** These cords are rated for outdoor use and reduce the risk of electric shock.
- **Do not use AC only rated tools with a DC power supply.** While the tool may appear to work. The electrical components of the AC rated tool are likely to fail and rate a hazard to the operator.

PERSONAL SAFETY

- **Stay alert,** watch what you are doing and use common sense when operating a power tool. Do not use tool while tired or under the influence of drugs, alcohol, or medication. A moment of inattention while operating power tools may result in serious personal injury.
- **Use safety equipment.** Always wear eye protection. Safety equipment such as dust mask, non-skid safety shoes, hard hat, or hearing protection for appropriate conditions will reduce personal injuries.
- **Dress properly.** Do not wear loose clothing or jewelry. Keep your hair, clothing and gloves away from moving parts. Loose clothes, jewelry or long hair can be caught in moving parts. Air vents may cover moving parts and should be avoided.
- **Avoid accidental starting.** Ensure the switch is in the off position before plugging in. Carrying power tool with your finger on the switch or plugging in power tools that have the switch on invites accidents.
- **Remove any adjusting keys or wrenches before turning the power tool on.** A wrench or key that is left attached to a rotating part of the tool may result in personal injury.
- **Do not overreach.** Maintain proper footing and balance at all times. Loss of balance can cause an injury in an unexpected situation.
- **If devices are provided for connection of dust extraction and collection facilities, ensure these are connected and properly used.** Use of these devices can reduce dust related hazards.
- **Do not use a ladder or unstable support.** Stable footing on a solid surface enables better control of the tool in unexpected situations.
- **Keep tool handles dry, clean and free from oil and grease.** Slippery handles cannot safely control the tool.

TOOL USE AND CARE

- **Secure the workpiece.** Use clamp or other practical way to hold the workpiece to a stable platform. Holding the workpiece by hand or against your body is unstable and may lead to loss of control.

- **Do not force the power tool.** The tool will perform the job better and safer at the feed rate for which it is designed. Forcing the tool could possibly damage the tool and may result in personal injury.
- **Use the correct power tool for the job.** Don't force the tool or attachment to do a job for which it is not designed.
- **Do not use tool if switch does not turn it on or off.** Any tool that cannot be controlled with the switch is dangerous and must be repaired or replaced by an authorized service center.
- **Turn power tool off, and disconnect the plug** from the power source and/or battery pack from the power tool before making any adjustments, changing the accessories, or storing the tools. Such preventive safety measures reduce the risk of an accidental start up which may cause personal injury.
- **Store idle tool out of reach of children and other inexperienced persons.** It is dangerous in the hand of untrained users.
- **Maintain power tools with care.** Check for proper alignment and binding of moving parts, component breaks, and any other conditions that may affect the tool's operation. A guard or any other part that is damaged must be properly repaired or replaced by an authorized service center to avoid risk of personal injury.
- **Use recommended accessories.** Using accessories and attachments not recommended by the manufacturer or intended for use on this type tool may cause damage to the tool or result in personal injury to the user. Consult the operator's manual for recommended accessories.
- **Keep cutting tools sharp and clean.** Properly maintained cutting tools with sharp cutting edges are less likely to bind and are easier to control.
- **Feed the workpiece in the correct direction and speed.** Feed the workpiece into a blade, cutter, or abrasive surface against the direction of the cutting tool's direction of rotation only. Incorrectly feeding the workpiece in the same direction may cause the workpiece to be thrown out at high speed.
- **Never leave the tool running unattended, turn the power off.** Do not leave the tool until it comes to a complete stop.

⚠ WARNING: USE OF THIS TOOL CAN GENERATE AND DISBURSE DUST OR OTHER AIRBORNE PARTICLES, INCLUDING WOOD DUST, CRYSTALLINE SILICA DUST AND ASBESTOS. Direct particles away from face and body. Always operate tool in a well-ventilated area and provide for proper dust removal. Use dust collection system wherever possible. Exposure to the dust may cause serious and permanent respiratory or other injury, including silicosis (a serious lung disease), cancer, and death. Avoid breathing the dust, and avoid prolonged contact with the dust. Allowing dust to get into your mouth or eyes, or lay on your skin may promote absorption of harmful material. Always use properly fitting NIOSH/OSHA approved respiratory protection appropriate for dust exposure, and wash exposed areas with soap and water.

SERVICE

- **Have your power tool serviced by a qualified repair person using only identical replacement parts.** This will ensure that the safety of the power tool is maintained.
- **Service your power tool periodically.** When cleaning a tool, be careful not to disassemble any portion of the tool since internal wires may be misplaced or pinched.

SAVE THESE INSTRUCTIONS

EXTENSION CORDS

Grounded tools require a three wire extension cord. Double insulated tools can use either a two or three wire extension cord. As the distance from the power supply outlet increases, you must use a heavier gauge extension cord. Using extension cords with inadequately sized wire causes a serious drop in voltage, resulting in loss of power and possible tool damage. Refer to the table shown below to determine the required minimum wire size.

The smaller the gauge number of the wire, the greater the capacity of the cord. For example: a 14-gauge cord can carry a higher current than a 16-gauge cord. When using more than one extension cord to make up the total length, be sure each cord contains at least the minimum wire size required. If you are using one extension cord for more than one tool, add the nameplate amperes and use the sum to determine the required minimum wire size.

Guidelines for Using Extension Cords

- If you are using an extension cord outdoors, be sure it is marked with the suffix “W-A” (“W” in Canada) to indicate that it is acceptable for outdoor use.
- Be sure your extension cord is properly wired and in good electrical condition. Always replace a damaged extension cord or have it repaired by a qualified person before using it.
- Protect your extension cords from sharp objects, excessive heat, and damp or wet areas.

Recommended Minimum Wire Gauge for Extension Cords (120 Volt)

Nameplate Amperes (At Full Load)	Extension Cord Length					
	25 Feet	50 Feet	75 Feet	100 Feet	150 Feet	200 Feet
0–2.0	18	18	18	18	16	16
2.1–3.4	18	18	18	16	14	14
3.5–5.0	18	18	16	14	12	12
5.1–7.0	18	16	14	12	12	10
7.1–12.0	18	14	12	10	8	8
12.1–16.0	14	12	10	10	8	6
16.1–20.0	12	10	8	8	6	6

SPECIFIC SAFETY RULES FOR MULTI-PURPOSE OSCILLATING TOOLS

⚠ WARNING: DO NOT LET COMFORT OR FAMILIARITY WITH PRODUCT (GAINED FROM REPEATED USE) REPLACE STRICT ADHERENCE TO PRODUCT SAFETY RULES. If you use this tool unsafe or incorrectly, you can suffer serious personal injury!

⚠ WARNING: Hold tool by insulated gripping surfaces when performing an operation where cutting tools may contact hidden wiring or its own cord. Contact with a “live” wire will make exposed metal parts of the tool “live” and shock the operator!

- **Always wear safety glasses or goggles.** Normal prescription eye or sunglasses are not safety glasses.
- **Hold the Oscillating Tool by its insulated gripping surfaces** to avoid electrical shock from unseen “live” wires.
- **Always hold the tool firmly.** Do not leave the tool running unless hand held.
- **Check your work area for proper clearances before cutting.** This will avoid cutting into your workbench, the floor, etc.
- **Do not cut nails or screws** unless you are using a blade specifically designed for this purpose. Inspect your material before cutting.
- **Before switching on the tool,** be sure the blade is not contacting the work piece.
- **Do not use tool if switch does not turn it on or off.** Any tool which can not be controlled by the switch is dangerous and must be repaired.
- **Wear cushioned protective gloves to minimize the vibration.** Excessive vibration may cause personal injury.

- **Do not wet-sand with this tool.** Water or moisture entering the motor housing can cause electric shock and serious personal injury.
- **Always be sure that the tool is switched off** and unplugged before adjusting, adding accessories, or checking a function on the tool.

⚠ WARNING: Read and understand all warnings, cautions and operating instructions before using this equipment. Failure to follow all instructions listed below may result in electric shock, fire and/or serious personal injury.

SAVE THESE INSTRUCTIONS

KNOWING YOUR OSCILLATING TOOL

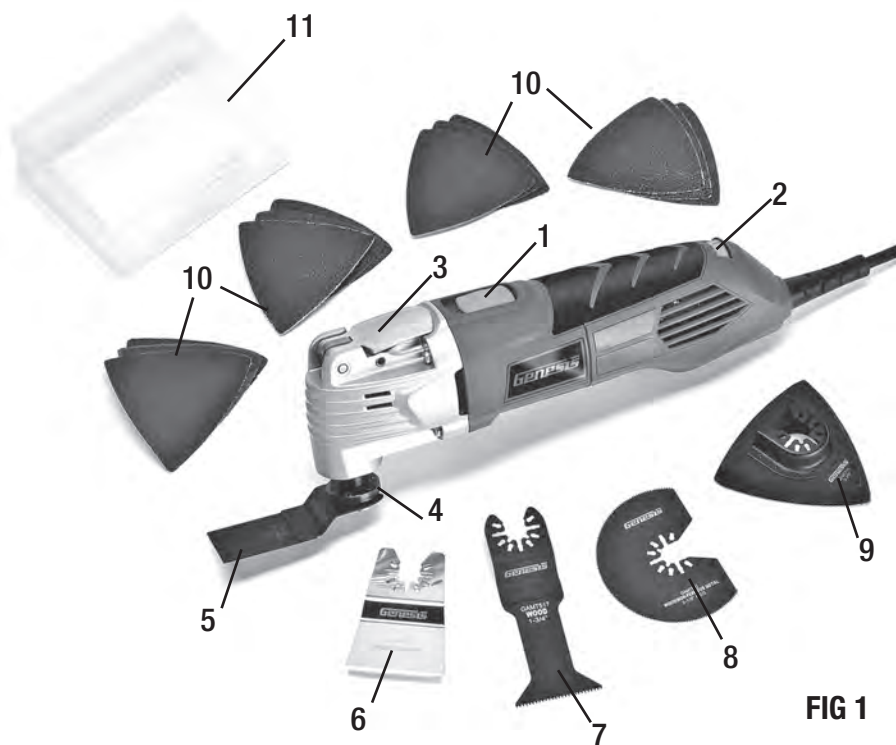


FIG 1

- | | |
|------------------------------------|---|
| 1. ON/OFF Switch | 7. Coarse Tooth Flush Cut Blade 1-3/4" |
| 2. Variable Speed Dial | 8. Segmented Saw Blade 3-1/8" |
| 3. Accessory Quick-Change Lever | 9. Delta Hook & Loop Sanding Pad 3-1/8" |
| 4. Flanges | 10. Sandpaper Assortment |
| 5. Bi-Metal Flush Cut Blade 1-3/8" | 11. Storage Case |
| 6. Rigid Scraper Blade | |

UNPACKING AND CONTENTS

IMPORTANT: Due to modern mass production techniques, it is unlikely the tool is faulty or that a part is missing. If you find anything wrong, do not operate the tool until the parts have been replaced or the fault has been rectified. Failure to do so could result in serious personal injury.

CONTENTS IN PACKAGE

Description	Q'ty	Description	Q'ty
Oscillating Tool	1	Delta Hook & Loop Sanding Pad	1
Bi-Metal Flush Cut Blade 1-3/8"	1	Sandpapers	12
Segmented Saw Blade 3-1/8"	1	Storage Case	1
Coarse Tooth Flush Cut Blade 1-3/4"	1	Operator's Manual	1
Rigid Scraper Blade	1		

ASSEMBLY AND ADJUSTMENTS

⚠ WARNING: Always be sure that the tool is switched off and unplugged before adjusting, installing accessories, or checking a function of the tool.

With the Accessory Quick-Change System on the tool and GENESIS™ Universal Quick-Fit accessories included, changing the accessories does not require an additional tool.

To Install the Accessories (FIG 2)

1. Flip the Accessory Quick-Change Lever (3) forward completely to separate the blade flange (a) and shaft flange (b) as shown on FIG 2.
2. Slide the open-end of the accessory into the gap between the blade flange (a) and the shaft flange (b). The shaft flange of this tool comes with a 6-pin design. Place the accessory over the pins on the shaft flange. Make sure the holes on the accessory properly engage 5 of those 6 pins.
3. Flip the Accessory Quick-Change Lever (3) back to locked position to secure the accessory in place.

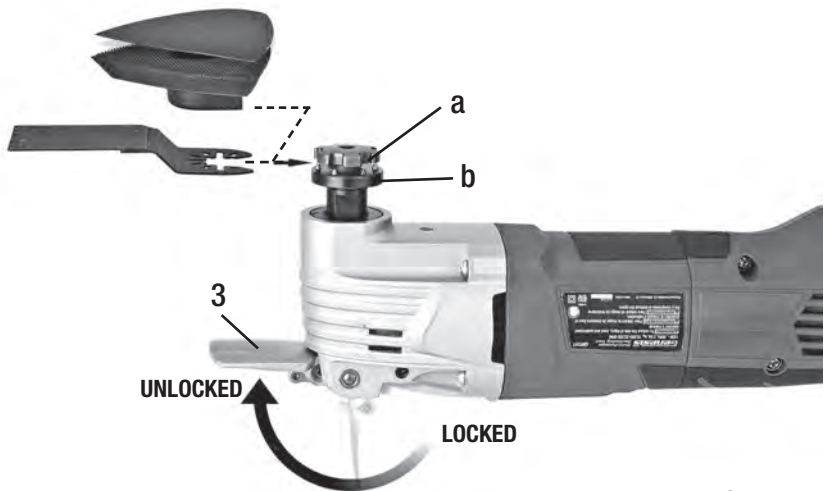


FIG 2

NOTE: Some accessories, such as a saw blade, may be mounted either straight on the tool, or at an angle to enhance usability. Always make sure 5 of the 6 pins are engaged as described in step 2 above.

NOTE: For maximum sandpaper life, rotate the pad or sandpaper 120 degrees when tip of sandpaper becomes worn.

To Remove Accessories From the Tool, flip the Accessory Quick-Change Lever forward completely, disengage the accessory from the pins and pull the accessory off the tool.

OPERATION

⚠ WARNING: To reduce the risk of serious personal injuries, read and follow all important safety warning and instructions before using this tool.

⚠ WARNING: Always be sure the tool is disconnected from the power source before making any adjustments or setting up prior to cutting. Failure to disconnect or unplug the tool may cause accidental starting, resulting in serious personal injury.

NOTE: Always Check that the power supply corresponds to the voltage on the ratings plate.

STARTING AND STOPPING THE OSCILLATING TOOL (FIG 3)

To Start the Oscillating Tool, slide the ON/OFF switch (1) forward to ON position.

To Stop the Oscillating Tool, slide the ON/OFF switch (1) backward to OFF position.

VARIABLE SPEED DIAL (FIG 3)

Your oscillating tool has a variable speed control dial (2) located at the rear end of the tool. See FIG 3. You may select the oscillating speed by rotating the control dial. Setting 6 is the maximum speed (22,000 OPM) and setting 1 is the minimum speed (15,000 OPM).

The variable speed control allows to set up a optimum oscillating speed based on the accessory and the materials being used on.

High oscillating speed recommended for: Sanding, Sawing, Rasping wood or metals

Low oscillating speed recommended for: Scraping painted wood or removing caulk or adhesives.

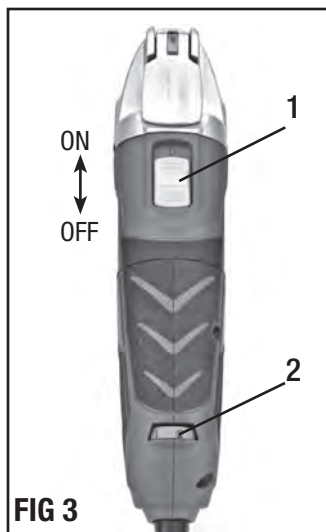


FIG 3

APPLICATIONS

NOTE: Recommended accessories for this tool are the GENESIS™ Universal Quick-Fit oscillating tool accessories. Please refer to the "Genesis Oscillating Tool Accessory Reference Guide" enclosed for details.

This multi-purpose oscillating tool is intended for cutting and sanding wood, plastic, plaster and non-ferrous metals. It is especially suitable for cutting in tight spaces and for flush cutting. Following are a few typical uses.

CUTTING (FIG 4,5,6)

Use a flush cutting saw blade (or "e-cut blade") for making precise cuts in tight areas, close to edges, plunge or flush to a surface. It is important not to force the tool during the flush cutting. If you are experiencing a strong vibration during cut, it indicates too much hand pressure is on the tool. Back off on the pressure and let the speed of the tool do the work. See FIG 4, 5 for examples of using the flush cutting saw blade.



FIG 4

NOTE: It is suggested that you have a piece of scrap material supporting the blade when making a flush cut. If you need to rest the blade on a delicate surface, you need to use cardboard or masking tape to protect the surface.

Use the segmented saw blade for making continuous precise cuts in wood, plastic or drywall material. Applications include: cutting openings for electrical boxes, repairing flooring, cutting flooring for venting, and more. See FIG 6 for an example of how to use the segmented saw blade.



FIG 5

SANDING (FIG 7)

Using sanding accessories, this tool is a detail sander. It is suitable for dry sanding of wood, plastic, and metal surfaces, especially in corners, edges and hard to reach areas. See FIG 7.

Tips:

1. Work with the complete surface of the sandpaper, not only with the tip.
2. Sand with continuous motion and light pressure. Do not apply excessive pressure. Let the tool do the work.
3. Always secure small work pieces.
4. Select suitable abrasive paper for best results.



FIG 6

SCRAPING (FIG 8)

Scraper blades are suitable for removing vinyl, varnish, paint layers, carpeting, caulk and other adhesives.

Use a rigid scraper blade to remove harder materials, such as vinyl flooring, carpeting and tile adhesives in a large area.

Use a flexible scraper blade (not included) to remove softer material such as caulk.

Tips:

1. When removing strong, tacky adhesive, grease the scraper blade surface to reduce gumming up.
2. Begin with light pressure. The oscillating motion of accessory only occurs when pressure is applied to the material to be removed.
3. If you are removing caulk from a delicate surface, such as a bath tub or tile back splash, we recommend taping to protect the surface that the blade will rest on.



FIG 7



FIG 8

GROUT REMOVAL (FIG 9)

Use a grout removal blade (not included) to remove damaged or cracked grout, or in order to replace a damaged or broken tile.

To remove the grout, use a back and forth motion, making several passes along the grout line. Be careful not to apply too much side pressure on the grout blade. See FIG 9.

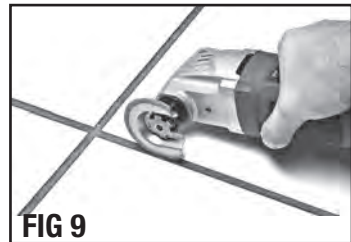


FIG 9

ACCESSORIES

Recommended accessories for this tool are the GENESIS™ Universal Quick-Fit oscillating tool accessories. Please refer to the "Genesis Oscillating Tool Accessory Reference Guide" enclosed for details.

MAINTENANCE

CLEANING

Avoid using solvents when cleaning plastic parts. Most plastics are susceptible to damage from various types of commercial solvents and may be damaged by their use. Use clean cloths to remove dirt, dust, oil, grease, etc.

⚠ WARNING: Do not at any time let brake fluids, gasoline, petroleum-based products, penetrating oils, etc., come in contact with plastic parts. Chemicals can damage, weaken or destroy plastic which may result in serious personal injury.

Electric tools used on fiberglass material, wallboard, spackling compounds, or plaster are subject to accelerated wear and possible premature failure because the fiberglass chips and grindings are highly abrasive to bearings, brushes, commutators, etc. Consequently, we do not recommend using this tool for extended work on these types of materials. However, if you do work with any of these materials, it is extremely important to clean the tool using compressed air.

LUBRICATION

This tool is permanently lubricated at the factory and requires no additional lubrication.

TWO-YEAR WARRANTY

This product is warranted free from defects in material and workmanship for 2 years after date of purchase. This limited warranty does not cover normal wear and tear or damage from neglect or accident. The original purchaser is covered by this warranty and it is not transferable. Prior to returning your tool to store location of purchase, please call our Toll-Free Help Line for possible solutions.

THIS PRODUCT IS NOT WARRANTED IF USED FOR INDUSTRIAL OR COMMERCIAL PURPOSES. ACCESSORIES INCLUDED IN THIS KIT ARE NOT COVERED BY THE 2 YEAR WARRANTY.

TOLL-FREE HELP LINE

For questions about this or any other GENESIS™ Product, please call Toll-Free: **888-552-8665**.

Or visit our web site: **www.genesispowertools.com**

©Richpower Industries, Inc. All Rights reserved

Richpower Industries, Inc.
736 Hampton Road
Williamston, SC 29697

Printed in China, on recycled paper

OUTIL OSCILLANT À USAGES MULTIPLES, 2.5A

Manuel d'utilisation

SPÉCIFICATIONS

- Modèle: ----- GMT25T
- Puissance nominale:----- 120V~, 60Hz, 2,5 A
- Vitesse sans charge: ----- 15000 - 22000 /min (OPM)
- Angle d'oscillation: ----- 3°
- Poids net: -----1,36 kg (3 lbs)

Inclut: outil oscillant, un patin de ponçage avec crochet et boucle, 12 pièce assortiment de papier abrasif, un lame de grattoir rigide, un lame de scie de coupe à ras bimétal, un lame de scie HSS sectorielle, un lame de dents grandes pour coupe à ras, et un boîtier de rangement des accessoires.

⚠ AVERTISSEMENT: Pour réduire le risque de blessure, l'utilisateur doit lire et assimiler ce manuel d'utilisation avant de se servir de l'outil. Conservez ce manuel comme référence ultérieure.

Numéro d'aide sans frais: 1-888-552-8665.



⚠ AVERTISSEMENT: L'utilisation de tout outil électrique peut causer la projection d'objets étrangers dans vos yeux, pouvant entraîner de sérieux dommages. Avant de commencer à vous servir de l'outil, portez toujours des lunettes de sécurité ou avec des écrans latéraux de protection, et une protection faciale complète si nécessaire. Nous recommandons le port d'un masque à vision large par dessus les lunettes. Portez toujours une protection oculaire qui est marquée comme en conformité avec ANSI Z87.1.



Repérez ce symbole qui signale d'importantes précautions de sécurité. Cela veut dire faites attention ! Votre sécurité est en jeu.

RÈGLES GÉNÉRALES DE SÉCURITÉ

⚠ AVERTISSEMENT: Certaines poussières produites par des appareils électriques de ponçage, sciage, meulage, perçage et autres travaux de construction contiennent des produits chimiques connus pour causer cancer, anomalies congénitales et autres atteintes à la reproduction. Voici quelques exemples de ces produits nocifs :

- plomb des peintures au plomb.
- silice cristalline des briques et du béton et d'autres matériaux de construction.
- arsenic et chrome de bois d'œuvre traité chimiquement.

Votre risque en cas d'exposition varie, selon la fréquence d'exécution de ce type de tâches. Pour réduire votre exposition à ces produits : travaillez dans une zone bien ventilée en portant un équipement de sécurité approuvé, tel que masque à poussières spécialement conçu pour filtrer les particules microscopiques.

⚠ AVERTISSEMENT: Lisez et assimilez tous les avertissements, mises en garde et instructions d'utilisation avant de vous servir de cet équipement. Sinon vous risquez commotion électrique, début d'incendie et/ou blessures corporelles.

CONSERVEZ CES INSTRUCTIONS

LIEU DE TRAVAIL:

- **Gardez propre la zone de travail.** Les zones et établis en désordre attirent les accidents.
- **Ne pas utiliser d'outils électriques dans des atmosphères explosives,** par exemple en présence de liquidés, gaz ou poussières inflammables. Les outils électriques produisent des étincelles risquant d'enflammer les poussières ou vapeurs.
- **Garder les badauds, enfants et visiteurs à l'écart pendant l'utilisation d'un outil électrique.** Les distractions peuvent causer une perte de contrôle.

SÉCURITÉ ÉLECTRIQUE

- **La puissance des bouchons outil doit correspondre à la prise électrique.** Ne jamais modifier la prise en aucune façon. Ne pas utiliser d'adaptateur de bouchons dans toute la terre (la terre) les outils électriques. Les outils à double isolation sont équipés d'une fiche polarisée (une broche est plus large que l'autre).. Cette fiche ne peut être branchée sur une prise polarisée que dans un seul sens. Si la fiche ne peut pas être insérée dans la prise, l'inverser. Si vous ne pouvez toujours pas être l'insérer, faire installer une prise polarisée par un électricien qualifié. Ne pas modifier la fiche, de quelque façon que ce soit. La double isolation élimine le besoin de cordon d'alimentation à trois fils et d'un circuit secteur mis à la terre.
- **NE PAS exposer les outils électriques à la pluie ou l'humidité.** La pénétration d'eau dans ces outils accroît le risque de choc électrique.
- **Éviter tout contact du corps avec des surfaces mises à la terre,** telles que tuyaux, radiateurs, cuisinières et réfrigérateurs. Le risqué de choc électrique est accru lorsque le corps est mis à la terre.
- **NE PAS maltraiter le cordon d'alimentation.** Ne jamais utiliser le cordon d'alimentation pour transporter l'outil et ne jamais débrancher ce dernier en tirant sur le cordon. Garder le cordon à l'écart de la chaleur, de l'huile, des objets tranchants et des pièces en mouvement. Remplacer immédiatement tout cordon endommagé. Un cordon endommagé accroît le risque d'électrocution.
- **Lorsque l'exploitation d'un pouvoir en dehors des outils,** l'utilisation d'une rallonge électrique pour une utilisation extérieure. Ces cordons sont prévus pour une utilisation à l'extérieur et de réduire le risque de choc électrique.
- **NE PAS utiliser l'AC notées les outils d'une alimentation en courant continu.** Même si l'outil semble fonctionner, les composants électriques de l'AC notées outil sont susceptibles d'échouer et d'accroître le risque pour l'opérateur.

SÉCURITÉ PERSONNELLE

- **Rester attentif, prêter attention au travail et faire preuve de bon sens lors de l'utilisation de tout outil électrique.** Ne pas utiliser cet outil en état de fatigue ou sous l'influence de l'alcool, de drogues ou de médicaments. Un moment d'inattention pendant l'utilisation d'un outil électrique peut entraîner des blessures graves.
- **Utiliser l'équipement de sécurité. Toujours porter une protection oculaire.** Suivant les conditions, le port d'un masque filtrant, de chaussures de sécurité, d'un casque ou d'une protection auditive est recommandé.
- **Portez une tenue appropriée.** Ne portez pas de vêtements flottants, gants, cravate, bracelets, montre de poignet ou autres bijoux qui peuvent être happés par des pièces en mouvement. Le port de chaussures antidérapantes est recommandé, ainsi que le port d'une couverture des cheveux s'ils sont longs..
- **Évitez d'un démarrage accidentel. S'assurer que le commutateur est en position arrêt avant de brancher po.** De transport outil avec le doigt sur l'interrupteur ou de brancher des outils électriques qui sont le commutateur invite accidents.
- **Enlevez les clés et outils de réglage avant de mettre en marche.** Les clés, clavettes, déchets et autres débris peuvent être projetés à grande vitesse, et ainsi causer des graves blessures.
- **NE travaillez pas à bout de bras.** Gardez une bonne posture et un bon équilibre en permanence, un déséquilibre peut amener votre chute sur la machine en action, avec possibilité de blessure.
- **Si dispositifs sont prévus pour la connexion d'extraction des poussières et des installations de collecte,** d'assurer ceux-ci sont connectés et utilisés correctement.

L'utilisation de ces appareils peut réduire les risques liés à la poussière. Ne pas utiliser l'outil sur une échelle ou un support instable. Une bonne tenue et un bon équilibre permettent de mieux contrôler l'outil en cas de situation imprévue.

- **Maintenez l'outil sec, propre et sans huile ou graisse.** Utilisez toujours un chiffon propre pour le nettoyage. N'utilisez jamais de fluide pour freins, d'essence, de produits à base de pétrole, ni n'importe quel type de solvant pour nettoyer l'outil.

UTILISATION ET ENTRETIEN DE L'OUTIL

- **Sécurisation de la pièce à travailler.** Utilisez des serre-joints ou un étau pour maintenir la pièce travaillée quand c'est possible. C'est plus sûr que de se servir de sa ou ses mains et permet de garder ses deux mains libres pour actionner l'outil. La perte de contrôle de la pièce travaillée peut entraîner des blessures corporelles.
- **NE forcez pas sur l'outil.** L'outil effectuera la tâche de façon meilleure et plus sûre à la vitesse de pénétration pour laquelle il a été conçu. Forcer sur l'outil peut éventuellement endommager la machine et entraîner des blessures.
- **Utilisez le bon outil pour la tâche.** Ne forcez pas sur l'outil ou accessoire pour exécuter une tâche pour laquelle il n'a pas été conçu. N'utilisez pas l'outil pour une finalité non prévue car vous risquez des dégâts matériels et/ou des blessures corporelles.
- **N'utilisez pas l'outil si son interrupteur de marche/arrêt fonctionne mal.** Faites immédiatement remplacer les interrupteurs défectueux par un centre de réparations agréé.
- **Débrancher l'outil avant d'effectuer des réglages,** de changer d'accessoire ou de ranger l'outil. Ces mesures de sécurité réduisent les risques de démarrage accidentel de l'outil.
- **Ranger les outils non utilisés hors de portée de enfant set des personnes n'ayant pas reçu de formation adéquate.** Entre les mains de personnes n'ayant pas reçu de formation adéquate, les outils sont dangereux.
- **Entretenir soigneusement les outils.** Vérifier qu'aucune pièce mobile n'est mal alignée, grippée ou brisée et s'assurer qu'aucun autre problème ne risqué d'affecter le bon fonctionnement de l'outil. En cas de dommages, faire réparer l'outil avant de l'utiliser de nouveau. De nombreux d'accidents sont causés par des outils mal entretenir.
- **N'utilisez que des accessoires recommandés.** L'utilisation d'accessoires et équipements annexes non recommandés par le constructeur ou non prévus pour être utilisés sur ce type d'outil peut causer des dégâts matériels et/ou des blessures corporelles pour l'utilisateur. Consultez le manuel d'utilisation pour connaître les accessoires recommandés.
- **Maintenir des outils de coupe nette et propre.** Bien entretenu avec des outils de coupe de pointe sont moins susceptibles de lier et sont plus faciles à contrôler.
- **Poussez la pièce à travailler dans la bonne direction à la bonne vitesse.** N'envoyez la pièce vers la lame le couteau ou la surface abrasive, selon la machine, que en sens opposé à la rotation de l'outil de coupe. Une mauvaise présentation de la pièce dans le même sens que la rotation de l'outil de coupe fait que la pièce est projetée à grande vitesse.
- **NE jamais laisser l'outil en marche sans surveillance.** Éteignez l'appareil. Ne laissez pas l'outil jusqu'à ce qu'il arrive à un arrêt complet.

⚠ AVERTISSEMENT: L'UTILISATION DE CET OUTIL PEUT GÉNÉRER ET BRASSER DE LA POUSSIÈRE ET D'AUTRES PARTICULES EN SUSPENSION DANS L'AIR, COMME SCIURE, SILICE CRISTALLINE ET AMIANTE. Dirigez le flot de particules hors de votre visage et de votre corps. Faites toujours fonctionner l'outil dans une zone bien ventilée, et veillez à une bonne évacuation de la poussière. Utilisez un système de collecte de poussières dans la mesure du possible. L'exposition aux poussières peut causer des troubles respiratoires ou autres sérieux et permanents, incluant la silicose (une sérieuse affection des poumons), le cancer et la mort. Évitez de respirer la poussière et évitez un contact prolongé avec elle. Si vous laissez entrer la poussière dans votre bouche ou vos yeux, ou se déposer sur votre peau, vous risquez de provoquer l'absorption de matières dangereuses. Portez toujours une protection respiratoire approuvée NIOSH/OSHA bien ajustée convenant à la protection contre les poussières, et lavez les surfaces de peau exposées à l'eau et au savon.

SERVICE

- **Demandez à votre outil électrique à être desservie par une personne qualifiée en utilisant** uniquement des pièces identiques. Cela permettra de s'assurer que la sécurité de l'outil électrique est maintenue.
- **L'entretien de votre outil électrique périodiquement.** Lors du nettoyage d'un outil, faire attention à ne pas démonter une partie de l'outil en raison de câbles électriques peuvent être égarés ou pincé.

CONSERVEZ CES INSTRUCTIONS

CORDONS RALLONGES

Les outils mis à la terre nécessitent un cordon rallonge à trois fils. Les outils à double isolation peuvent utiliser des cordons rallonge indifféremment à deux ou trois conducteurs. Plus augmente la distance depuis la prise d'alimentation, plus le calibre de la rallonge devra être important. L'utilisation de cordons rallonges avec des fils mal calibrés peut provoquer une importante chute de tension d'entrée, d'où une perte de puissance et de possibles dommages pour l'outil. Reportez-vous au tableau pour déterminer la taille minimum requise pour les fils.

Plus le numéro de calibre de fil est faible, plus importante est la capacité en courant du cordon. Par exemple un calibre 14 peut transporter un courant plus fort qu'un fil de calibre 16. Quand vous utilisez plus d'un cordon d'extension pour obtenir la longueur totale, assurez-vous que chacun contient au moins le calibre minimum de fils requis. Si vous utilisez un câble d'extension pour alimenter plus d'un outil, ajoutez les ampérages de leurs plaques signalétiques et utilisez cette somme pour déterminer le calibre minimum des fils.

Conseils d'utilisation de cordons rallonges

- Si vous utilisez un cordon rallonge à l'extérieur, assurez-vous qu'il est marqué du suffixe « W-A » (W seulement au Canada), qui indique qu'il convient bien à une utilisation à l'extérieur.
- Assurez-vous que votre cordon rallonge est correctement câblé et en bonne condition électrique. Remplacez toujours un cordon rallonge endommagé ou faites-le réparer par une personne qualifiée avant de l'utiliser.
- Protégez vos cordons rallonges des angles et objets tranchants, de la chaleur excessive, et des zones humides ou mouillées.

Calibre de fil minimum recommandé pour cordons de rallonge (en 120 Volts)

Ampérage nominal (à pleine charge)	Longueur du cordon de rallonge					
	7.6 m 25 Feet	15.2 m 50 Feet	22.9 m 75 Feet	30.5 m 100 Feet	45.7 m 150 Feet	61.0 m 200 Feet
0-2.0	18	18	18	18	16	16
2.1-3.4	18	18	18	16	14	14
3.5-5.0	18	18	16	14	12	12
5.1-7.0	18	16	14	12	12	10
7.1-12.0	18	14	12	10	8	8
12.1-16.0	14	12	10	10	8	6
16.1-20.0	12	10	8	8	6	6

RÈGLES DE SÉCURITÉ SPÉCIFIQUES POUR OUTIL OSCILLANT À USAGES MULTIPLES

⚠ AVERTISSEMENT: NE laissez PAS une fausse sécurité s'installer provoquée par confort et familiarité avec le produit (suite à des utilisations répétées) remplacer la stricte application des règles de sécurité pour la scie à onglets. Si vous utilisez cet outil dangereusement et incorrectement, vous pouvez subir de sérieuses blessures.

⚠ AVERTISSEMENT: Maintenez l'outil par les surfaces de prise isolées quand vous effectuez une opération où l'outil de coupe peut couper des fils électriques cachés ou son propre cordon. Le contact avec un fil sous tension peut également mettre sous tension des parties métalliques exposées de l'outil, et provoquer une commotion électrique pour l'opérateur!

- **Portez toujours de lunettes de sécurité ou avec des protections latérales.** Des lunettes de vue ou des lunettes de soleil ne sont pas des lunettes de protection.
- **Maintenez la scie alternative par ses surfaces de prise isolées pour éviter** une commotion électrique en cas de rencontre avec des fils sous tension cachés.
- **Tenez toujours fermement l'outil.** NE le laissez PAS tourner seul s'il n'est pas en mains..
- **Vérifier dans votre zone de travail** que les espacements sont corrects avant de couper. Cela vous évitera d'entailler établi, parquet, etc.
- **Ne coupez PAS de clous ou de vis, sauf si vous utilisez une lame spécialement conçue pour cela.** Inspectez d'abord le matériau à travailler avant de commencer.
- **Avant de mettre la scie en marche,** assurez-vous que sa lame n'est pas en contact avec la pièce à couper.
- **Ne pas utiliser l'outil si l'interrupteur ne l'allumer ou éteindre.** Tout outil qui ne peut pas être contrôlé par interrupteur est dangereux et doit être réparé.
- **Porter des gants rembourrés afin de minimiser les vibrations.** Des vibrations excessives peuvent provoquer des blessures.
- **Ne poncez pas par voie humide à l'aide de cette outil.** L'eau ou l'humidité entrant dans le moteur peut provoquer des chocs électriques et des blessures graves.
- **Toujours s'assurer que l'outil est éteint et débranché** avant de régler, en ajoutant des accessoires, ou d'une fonction de contrôle sur l'outil.

⚠ AVERTISSEMENT: Lisez et assimilez tous les avertissements, mises en garde et instructions d'utilisation avant de vous servir de cet équipement. Sinon vous risquez commotion électrique, début d'incendie et/ou blessures corporelles.

CONSERVEZ CES INSTRUCTIONS

VOTRE OUTIL OSCILLANT À USAGES MULTIPLES

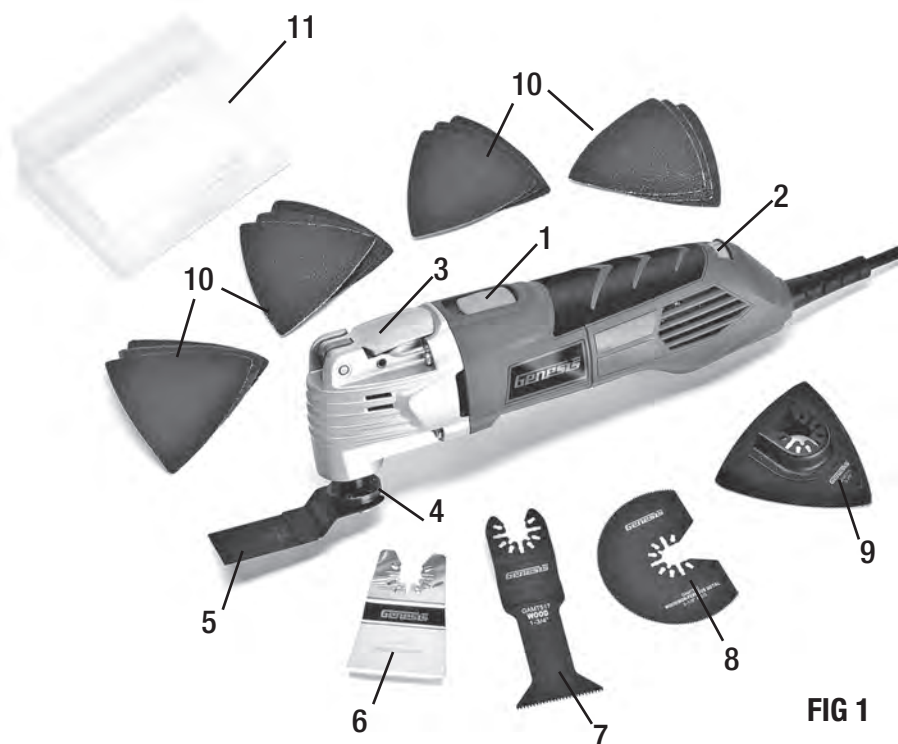


FIG 1

- | | |
|---|--|
| 1. Interrupteur MARCHE-ARRÊT | 7. Lame de dents grandes pour coupe à ras 44mm |
| 2. Molette à vitesse variable | 8. Lame de scie HSS sectorielle 80mm |
| 3. Levier de changement rapide d'accessoire | 9. Patin de ponçage avec Velcro |
| 4. Bride | 10. Papier de verre |
| 5. Lame de coupe à ras bimétal 35mm | 11. Boîtier de rangement |
| 6. Lame de raclage rigide | |

OUVERTURE DE L'EMBALLAGE ET CONTENU

IMPORTANT: Grâce à des techniques modernes de production de masse, il est peu probable que l'outil est défectueux ou qu'une pièce est manquante. Si vous trouvez quelque chose de mal, ne pas faire fonctionner l'outil jusqu'à ce que les parties ont été remplacés ou la faute a été corrigée. Le fait de ne pas le faire pourrait entraîner des blessures graves.

CONTENU DE CARTON DE PIÈCES EN VRAC:

Description	Quan	Description	Quan
Outil oscillant	1	Patin de ponçage avec Velcro	1
Lame de coupe à ras bimétal 35mm	1	Papier de verre	12
Lame de scie HSS segmentée 80mm	1	Boîtier de rangement des accessoires	1
Lame de dents grandes de coupe à ras 44mm	1	Manuel de l'opérateur	1
Lame de raclage rigide	1		

MONTAGE ET RÉGLAGES

⚠ AVERTISSEMENT: Pour réduire le risque de graves blessures corporelles, lisez et suivez toutes les instructions et avertissements de sécurité avant d'utiliser cet outil.

INSERTION ET RETRAIT DES ACCESSOIRES (FIG 2)

⚠ AVERTISSEMENT: Assurez-vous toujours que l'outil est à l'arrêt et déconnecté du secteur avant de régler, d'ajouter des accessoires ou de vérifier une fonction de l'outil.

Avec l'accessoire système à changement rapide sur l'outil et GENESIS™ accessoires universels de raccordement rapide inclus, changez les accessoires ne nécessite pas un outil supplémentaire.

Pour installer les accessoires (FIG 2)

1. Abaissez le levier de l'accessoire à changement rapide (3) vers l'avant complètement, pour séparer la bride de lame (a) et de l'arbre bride (b) comme indiqué sur la figure 2.
2. Glissez le bout ouvert de l'accessoire dans l'espace entre la bride de la lame (a) et la bride d'arbre (b). La bride de l'arbre de cet outil est livré avec un design à 6 broches. Placer l'accessoire sur les broches de la bride de l'arbre. Assurez-vous que les trous de l'accessoire s'enclenchent 5 de ces 6 broches.
3. Abaissez le levier de l'accessoire à changement rapide (3) en position de verrouillage pour fixer l'accessoire en place.

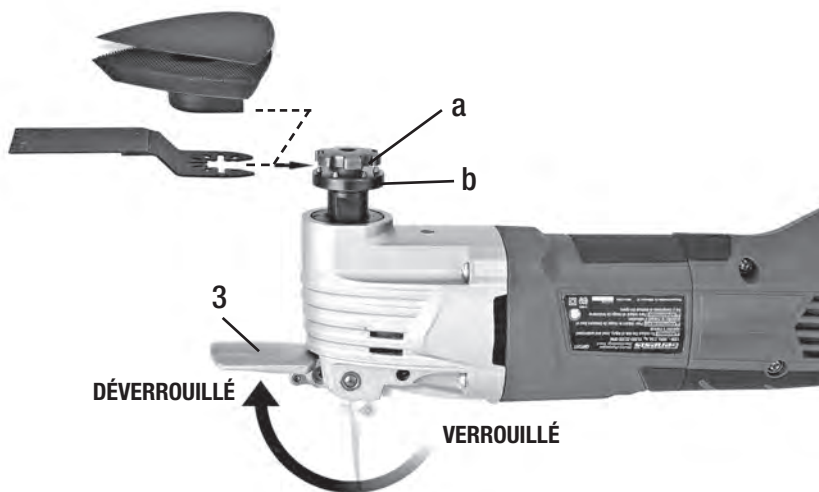


FIG 2

REMARQUE: Certains accessoires, comme une lame de scie, peuvent être montés droites sur l'outil ou avec un certain angle pour accroître son utilisation. Assurez-vous toujours que 5 des 6 broches sont engagés comme décrit dans l'étape 2 ci-dessus.

REMARQUE: Pour la durée d'utilisation maximum du papier de verre, faites tourner le patin ou le papier de verre de 120° quand une extrémité du papier de verre commence à s'user.

⚠ AVERTISSEMENT: NE SERREZ PAS la vis d'assemblage avant que l'accessoire ne soit correctement positionné sur la bride de l'arbre.

Pour démonter les accessoires de l'outil, abaissez le levier de l'accessoire à changement rapide vers l'avant complètement, désengager l'accessoire hors les broches et retirez l'accessoire de l'outil

FONCTIONNEMENT

⚠ AVERTISSEMENT: Pour réduire le risque de graves blessures corporelles, lisez et suivez toutes les instructions et avertissements de sécurité avant d'utiliser cet outil.

⚠ AVERTISSEMENT: Assurez-vous toujours que l'outil est déconnecté de sa source d'alimentation avant de procéder à aucun réglage ou configuration avant la coupe. Si l'outil n'est pas déconnecté ou débranché, il peut se produire un démarrage accidentel qui provoquera un accident grave.

UTILISATION DU INTERRUPTEUR (FIG 3)

Pour démarrer l'outil oscillant, faites glisser le Interrupteur de MARCHE/ARRÊT vers l'avant sur la position MARCHE (ON).

Pour arrêter l'outil oscillant, faites glisser le Interrupteur de MARCHE/ARRÊT vers l'arrière sur la position ARRÊT (OFF).

MOLETTE À VITESSE VARIABLE (FIG 3)

Votre outil oscillant est équipé d'une molette de contrôle de vitesse variable (2) située à l'extrémité arrière de l'outil. Voir la figure 3. Vous pouvez sélectionner la vitesse d'oscillation en faisant tourner la molette de commande. Réglage 6 est la vitesse maximale (22000 OPM) et le réglage 1 est la vitesse minimale (15000 OPM).

Le contrôle de vitesse variable permet de mettre en place une vitesse optimale d'oscillation sur la base des accessoires et les matériaux utilisés sur.

Vitesse rapide recommandé pour: ponçage, sciage, crissant sur bois et métaux.

Vitesse lente recommandé pour: Grattage sur la peinture sur bois ou de retirer le mastic ou adhésif.

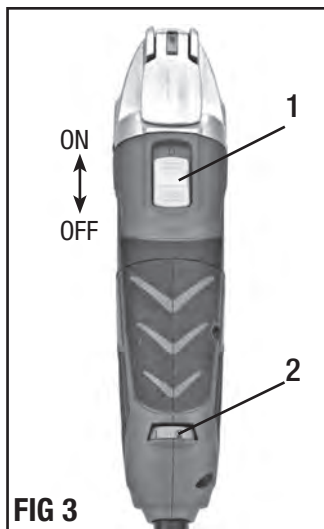


FIG 3

APPLICATION

REMARQUE: Les accessoires recommandés pour cet outil sont les GENESIS™ accessoires d'outils oscillant universel des changement rapide. S'il vous plaît se référer à " GENESIS™ Guide de référence pour les accessoires d'outils oscillants" pour plus de détails.

Cet outil oscillant à usages multiples est destiné à la coupe et au ponçage du bois, du plastique, du plâtre et des métaux non-ferreux. Il est spécialement adapté à la découpe dans les espaces restreints et pour la découpe à ras suivent ici quelques applications typiques.

DÉCOUPE (FIG 4,5,6)

Utilisez une lame de scie de coupe à ras (ou lame de coupe E) pour faire des découpes précises dans les espaces restreints, à proximité des bordures ou au ras de la surface. Il est important de ne pas forcer sur l'outil pendant une découpe à ras. S'il se produit une forte vibration dans votre main pendant une coupe en plongée, cela indique une trop forte pression sur l'outil. Relâchez la pression et laissez la vitesse de l'outil faire le travail. Reportez-vous aux FIG 4 et 5 pour des utilisations typiques d'une lame de scie de découpe à ras .



FIG 4



FIG 5



FIG 6

REMARQUE: Nous vous suggérons de toujours avoir une chute de bois pour supporter la lame lorsque vous réalisez une découpe à ras. Si vous avez besoin de laisser la lame reposer sur une surface délicate, vous devez utiliser du carton ou du ruban adhésif pour protéger cette dernière.

Utilisez de la lame de scie segmentée pour faire des coupes précises en continu en bois, en plâtre ou en placoplâtre matériau. Les applications comprennent la coupe des ouvertures pour les boîtes électriques, la réparation parquets, planchers coupe pour la ventilation, et plus encore. Voir figure 6 pour savoir comment utiliser de la lame de scie segmentée.

PONÇAGE (FIG 7)

Avec des accessoires de ponçage, cet outil devient une ponceuse de grande finesse. Elle est adaptée au ponçage à sec du bois, du plastique et des surfaces métalliques, particulièrement dans les coins, les bordures et les zones difficiles à atteindre. Reportez-vous à la FIG 7.

Conseils:

1. Ne travaillez pas seulement avec l'extrémité mais avec la surface complète du papier de verre.
2. Poncez avec un mouvement continu et une pression légère. N'appliquez pas une pression excessive. Laissez l'outil faire le travail.
3. Attachez toujours les petites pièces à travailler.
4. Choisissez un papier abrasif adapté afin d'obtenir les meilleurs résultats.



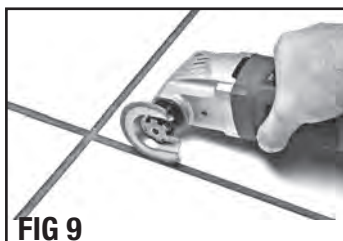
RACLAGE (FIG 8)

Les lames de raclage sont adaptées à l'élimination du vinyle, des vernis, des couches de peinture, des moquettes, des produits d'étanchéité et autres adhésifs.

Utilisez une lame de raclage rigide pour éliminer les matériaux plus durs comme les sols en vinyle, les moquettes et les adhésifs pour carrelages sur de grandes surfaces. Utilisez une lame de raclage souple (non incluse) pour éliminer des matériaux plus tendres comme des produits d'étanchéité.

Conseils:

1. Lors de l'élimination d'adhésifs poisseux et résistants, graissez la surface de la lame de raclage afin de réduire l'accumulation du produit.
2. Commencez avec une pression légère. L'oscillation de l'accessoire ne se produit que si la pression est appliquée sur le matériau devant être éliminé.
3. Si vous éliminez un produit d'étanchéité sur une surface délicate, comme une baignoire ou un dossier anti-claboussures, nous recommandons d'appliquer du ruban adhésif afin de protéger la surface sur laquelle la lame reposera.



ÉLIMINATION DES COULIS DE CIMENT (FIG 9)

Utilisez une lame pour coulis (non incluse) pour éliminer les coulis de ciment endommagés ou craquelés, ou afin de remplacer un carreau endommagé ou brisé.

Pour éliminer les coulis de ciment, utilisez un mouvement d'avant en arrière, en effectuant plusieurs passages le long de la ligne du coulis. N'appliquez pas une trop forte pression latérale sur la lame pour coulis. Reportez-vous à la FIG 9.

ACCESSORIES

Les accessoires recommandés pour cet outil sont les **GENESIS™** accessoires d'outils oscillant universel des changement rapide,. S'il vous plaît se référer à " **GENESIS™** Guide de référence pour les accessoires d'outils oscillants" pour plus de détails.

ENTRETIEN

NETTOYAGE

Éviter d'utiliser des solvants pour le nettoyage des pièces en plastique. La plupart des matières plastiques peuvent être endommagées par divers types de solvants du commerce. Utiliser un chiffon propre pour éliminer la saleté, la poussière, l'huile, la graisse, etc.

⚠ AVERTISSEMENT: Ne jamais laisse de liquides tels que le fluide de freins, l'essence, les produits à base de pétrole, les huiles pénétrantes, etc., entrer en contact avec les pièces en plastique. Les produits chimiques peuvent endommager, affaiblir ou détruire le plastique, ce qui peut entraîner des blessures graves.

Les outils électriques utilisés sur la fibre de verre, le pla-coplâtre, les mastics de bouchage ou le plâtre s'usent plus vite et sont susceptibles de défaillance prématurée, car les particules et les éclats de fibre de verre sont fortement abrasifs pour les roulements, balais, commutateurs, etc. En conséquence, nous ne recommandons pas d'utiliser cet outil pour un travail prolongé avec ces types de matériaux. Toutefois, si l'outil a été utilisé sur l'un de ces matériaux, il est extrêmement important de le nettoyer à l'air comprimé.

LUBRIFICATION

Ce outils est lubrifiés en permanence à l'usine et ne nécessitent aucune lubrification supplémentaire.

GARANTIE DE DEUX ANS

Ce produit est garanti exempt de défauts dus au matériaux et à la main d'œuvre pendant 2 ans à compter de sa date d'achat. Cette garantie limitée ne couvre pas l'usure normale ni les détériorations ou dommages dus à négligence, utilisation anormale ou accident. L'acheteur d'origine est couvert par cette garantie mais elle n'est pas transférable. Avant de renvoyer votre l'outil au magasin d'achat, s'il vous plaît appelez sans frais la ligne d'aide pour les solutions possibles.

CE PRODUIT N'EST PAS GARANTI S'IL EST UTILISÉ POUR DES FINS INDUSTRIELLES OU COMMERCIALES.

LES ACCESSOIRES COMPRIS DANS CE KIT NE SONT PAS COUVERTS PAR LA GARANTIE DE 2 ANS.

LIGNE D'ASSISTANCE SANS FRAIS

Pour vos questions sur ce produit ou un autre de GENESIS, veuillez utiliser en Amérique du Nord ce numéro d'appel sans frais: **888-552-8665**.

Ou visitez notre site web: **www.genesispowertools.com**

©Richpower Industries, Inc. All Rights reserved

Richpower Industries, Inc.
736 Hampton Road
Williamston, SC 29697

Printed in China, on recycled paper

HERRAMIENTA OSCILANTE MULTIUSO, 2.5A

Manual del Operario

ESPECIFICACIONES:

- Modelo: ----- GMT25T
- Potencia nominal: ----- 120V~, 60Hz, 2.5 A
- Velocidad en vacío: ----- 15000-22000 / min (OPM)
- Ángulo de oscilación: ----- 3°
- Peso neto: ----- 3 libras (1.36 kg)

Incluye: Herramienta oscilante, Base para lijar, 12 piezas surtido de papel de lija, una hoja rígida para terminaciones, una hoja de corte a ras bimetálica, una hoja de sierra HSS segmentada, una hoja con dientes grandes para corte al ras y estuche de almacenamiento de accesorios

⚠ ADVERTENCIA: Para reducir el riesgo de lesiones, el usuario debe leer y entender este manual del operario antes de operar esta herramienta. Guarde este manual para consultas futuras.

Línea de ayuda gratuita: 1-888-552-8665.



⚠ ADVERTENCIA: La operación de cualquier herramienta motorizada puede provocar el lanzamiento de objetos extraños hacia sus ojos, lo cual puede resultar en daño grave de los ojos. Antes de iniciar la operación con la herramienta, siempre colóquese gafas de seguridad con protectores laterales y cuando sea necesario, una careta de protección de toda la cara. Recomendamos las caretas de visión amplia para utilizar sobre las gafas de seguridad con protectores laterales. Siempre utilice protección de ojos que esté marcada indicando el cumplimiento de la norma ANSI Z87.1



Busque este símbolo que indica precauciones de seguridad importantes. Éste significa ¡¡¡atención!!! Su seguridad está involucrada.

REGLAS GENERALES DE SEGURIDAD

⚠ ADVERTENCIA: Algunos polvos producidos por actividades como lijar, aserrar, pulir, taladrar y otras actividades relacionadas con la construcción contienen productos químicos que se sabe causan cáncer, defectos de nacimiento u otros daños en el sistema reproductivo. Algunos ejemplos de estos productos químicos son:

- plomo procedente de pinturas de base de plomo.
- sílice cristalina procedente de ladrillos, cemento y otros productos de mampostería.
- arsénico y cromo procedentes de la madera tratada químicamente.

El riesgo de estas exposiciones varía, dependiendo de la frecuencia con que se realiza este tipo de trabajo. Para reducir la exposición a estos productos químicos: trabaje en una área con buena ventilación y con los equipos de seguridad aprobados, tales como mascarillas antipolvo especialmente diseñadas para eliminar por filtración partículas microscópicas.

⚠ ADVERTENCIA: Antes de utilizar este equipo, lea y entienda todas las advertencias, precauciones e instrucciones de operación. No seguir todas las instrucciones enumeradas a continuación, podría resultar en una descarga eléctrica, un incendio y/o lesiones personales graves.

GUARDE ESTAS INSTRUCCIONES

ÁREA DE TRABAJO

- **Mantenga limpia y bien iluminada el área de trabajo.** Una mesa de trabajo mal despejada y una mala iluminación son causas comunes de accidentes.
- **No utilice herramientas motorizadas en atmósferas explosivas,** como las existentes alrededor de líquidos, gases y polvos inflamables. Las herramientas eléctricas generan chispas que pueden encender el polvo y los vapores inflamables.
- **Mantenga alejados a los circunstantes,** niños y demás presentes al utilizar una herramienta eléctrica. Toda distracción puede causar la pérdida del control de la herramienta.

SEGURIDAD EN EL MANEJO DE EQUIPO ELÉCTRICO

- **La herramienta eléctrica enchufes debe coincidir con la toma de corriente.** Nunca modifique el enchufe de ninguna manera. No utilice ningún adaptador de enchufes en cualquier tierra (tierra) las herramientas eléctricas. Las herramientas con aislamiento doble están equipadas de una clavija polarizada (una patilla es más ancha que la otra). Esta clavija encaja de una sola forma en una toma de corriente polarizada. Si la clavija no encaja completamente en la toma de corriente, invierta la clavija. Si aún así no encaja, comuníquese con un electricista calificado para que instale una toma de corriente polarizada. No modifique la clavija de ninguna manera. Con el aislamiento doble se elimina la necesidad de usar cables de tres conductores y conexión a tierra, así como de sistemas de alimentación eléctrica con conexión a tierra
- **No exponga las herramientas eléctricas a la lluvia ni a condiciones de humedad.** La introducción de agua en una herramienta eléctrica aumenta el riesgo de descargas eléctricas.
- **Evite el contacto del cuerpo con las superficies de objetos conectados a tierra,** como las tuberías, radiadores, estufas y refrigeradores. Existe un mayor riesgo de descargas eléctricas si el cuerpo está en contacto con tierra.
- **No maltrate el cordón eléctrico.** Nunca use el cordón eléctrico para portar las herramientas ni para sacar la clavija de una toma de corriente. Mantenga el cordón lejos del calor, aceite, bordes afilados y piezas móviles. Cambie de inmediato todo cable eléctrico dañado. Los cordones eléctricos dañados aumentan el riesgo de descargas eléctricas.
- **Al utilizar una herramienta eléctrica en el exterior,** utilice un cordón eléctrico de extensión que lleve las marcas "W-A" o "W". . Estos cordones eléctricos están aprobados para el uso en exteriores y reducen el riesgo de descargas eléctricas.
- **No utilice el adaptador de CA evaluado las herramientas con un suministro de corriente.** Si bien la herramienta puede parecer que el trabajo, los componentes eléctricos de la herramienta de CA nominal es probable que no y plantear un peligro para el operador.

SEGURIDAD PERSONAL

- **Permanezca alerta,** preste atención a lo que esté haciendo y aplique el sentido común al utilizar herramientas eléctricas. No utilice la herramienta si está cansado o se encuentra bajo los efectos de alguna droga, alcohol o medicamento. Un momento de inatención al utilizar una herramienta eléctrica puede causar lesiones corporales serias.
- **Use equipo de seguridad.** Siempre póngase protección para los ojos. Cuando lo exijan las circunstancias debe ponerse careta contra el polvo, zapatos de seguridad antiderrapantes, casco o protección auditiva
- **Vístase adecuadamente.** No vista ropas holgadas ni joyas. Recójase el cabello si está largo. Mantenga el cabello, la ropa y los guantes alejados de las piezas móviles. Las ropas holgadas, las joyas y el cabello largo pueden engancharse en las piezas móviles.
- **Evite un arranque accidental de la unidad.** Asegúrese que el interruptor está apagado antes de conectar la unidad. Llevar las herramientas con el dedo en el interruptor o conectarlas con el interruptor puesto es causa común de accidentes.
- **Retire toda llave o herramienta de ajuste antes de encender la herramienta eléctrica.** Toda llave o herramienta de ajuste dejada en una pieza giratoria de la herramienta eléctrica puede causar lesiones.
- **No estire el cuerpo para alcanzar un distancia mayor a la natural.** Mantenga una postura firme y buen equilibrio en todo momento. La postura firme y el buen equilibrio permiten un mayor control de la herramienta en situaciones inesperadas.

- **Si los aparatos que se ofrecen para la conexión de extracción de polvo y de instalaciones de recogida**, aseguran que estos están conectados y se utilizan adecuadamente. El uso de estos dispositivos puede reducir los riesgos relacionados con el polvo.
- **No utilice la unidad al estar en una escalera o en un soporte inestable.** Una postura estable sobre una superficie sólida permite un mejor control de la herramienta en situaciones inesperadas.
- **Mantenga la herramienta seca**, limpia y libre de aceite y grasa. Siempre utilice un trapo limpio para realizar actividades de limpieza. Nunca utilice fluidos de freno, gasolina, productos de base de petróleo, ni ningún solvente, para limpiar la herramienta.

EMPLEO Y CUIDADO DE LA HERRAMIENTA

- **Asegure la pieza de trabajo.** Utilice prensas de sujeción o una prensa de banco para sostener la pieza de trabajo cuando sea posible. Utilizar prensas de sujeción o dispositivos mecánicos similares es más seguro que utilizar su mano(s) y le permite utilizar ambas manos para operar la herramienta. Perder el control de la pieza de trabajo puede causar lesiones personales.
- **No fuerce la herramienta.** Utilice la herramienta adecuada para cada tarea. La herramienta adecuada efectúa mejor y de manera más segura el trabajo, si además se maneja a la velocidad para la que está diseñada.
- **Utilice la herramienta correcta para el trabajo.** No fuerce la herramienta o accesorio utilizándolo en un trabajo para el cual no fue diseñado. No utilice la herramienta para un propósito para el cual no está diseñada ya que podría producirse daño a la máquina y/o lesiones personales.
- **No utilice la herramienta si el interruptor no realiza la operación de encendido y apagado.** Solicite a un centro de servicio autorizado que reemplace los interruptores defectuosos.
- **Apague la máquina**, y desconecte la máquina de la fuente de energía antes de ajustar o cambiar los valores de ajuste, o al realizar reparaciones. Podría ocurrir un arranque accidental que cause lesiones personales.
- **Guarde las herramientas que no estén en uso fuera del alcance de los niños** y de toda persona no capacitada en el uso de las mismas. Las herramientas son peligrosas en manos de personas no capacitadas en el uso de las mismas.
- **Proporcione mantenimiento con cuidado a las herramientas.** Revise para ver si hay desalineación o atoramiento de piezas móviles, ruptura de piezas o toda otra condición que pueda afectar el funcionamiento de la herramienta. Si se daña la herramienta, llévela a servicio antes de volver a utilizarla. Numerosos accidentes son causados por herramientas mal cuidadas.
- **Utilice los accesorios recomendados.** Utilizar accesorios no recomendados por el fabricante o no diseñados para uso en una herramienta de este tipo, podría causar daño a la máquina o lesiones personales al usuario. Consulte el manual del operario para conocer los accesorios recomendados.
- **Mantenga las herramientas de corte afiladas y limpias.** Las herramientas de corte bien cuidadas, con bordes bien afilados, tienen menos probabilidad de atascarse en la pieza de trabajo y son más fáciles de controlar.
- **Empuje la pieza de trabajo en la dirección y velocidad correctas.** Empuje la pieza de trabajo dentro de la hoja, cuchilla o superficie abrasiva únicamente en dirección contraria a la dirección de rotación de la herramienta de corte. El empuje incorrecto de la pieza de trabajo en la misma dirección de rotación de la herramienta de corte provoca que la pieza de trabajo sea lanzada a alta velocidad.
- **Nunca deje la herramienta funcionando sin supervisión.** Desactive la energía. No abandone la máquina hasta que se haya detenido por completo.

⚠ ADVERTENCIA: EL USO DE ESTA HERRAMIENTA PUEDE GENERAR Y DESEMBOLSAR POLVO U OTRAS PARTÍCULAS TRANSPORTADAS POR EL AIRE, INCLUYENDO POLVO DE MADERA, POLVO DE SÍLICE CRISTALINA Y ASBESTOS. Dirija las partículas en dirección contraria a la cara y el cuerpo. Siempre utilice la herramienta en una área bien ventilada y suministre lo necesario para la remoción apropiada del polvo. Utilice sistemas colectores de polvo cuando sea posible. La exposición al polvo podría causar lesiones respiratorias graves y permanentes u otras lesiones, incluyendo silicosis (una enfermedad pulmonar grave), cáncer y la muerte. Evite respirar el polvo, y evite el contacto prolongado con el polvo. Permitir que el polvo ingrese a su boca u ojos, o que se deposite sobre su piel podría provocar la absorción de materiales peligrosos. Cuando exista exposición a polvo, siempre utilice protección respiratoria aprobada por NIOSH/OSHA que ajuste apropiadamente, y lave con jabón y agua las áreas expuestas.

SERVICIO

- **Han toolto su poder ser reparado por una persona cualificada de reparación utilizando sólo repuestos idénticos.** Esto garantizará que la seguridad de la herramienta de poder se mantiene.
- **Servicio de su herramienta eléctrica periódicamente.** Cuando una herramienta de limpieza, cuidado de no desmontar cualquier parte de la herramienta interna, porque los cables pueden ser apretado fuera de lugar.

GUARDE ESTAS INSTRUCCIONES

CABLES DE EXTENSIÓN

Las herramientas de conexión a tierra requieren un cable de extensión de tres alambres. Las herramientas de aislamiento doble pueden utilizar un cable de extensión de dos o tres alambres. A medida que aumenta la distancia desde el tomacorriente de suministro de energía, usted debe utilizar un cable de extensión de mayor calibre. Utilizar cables de extensión con alambre de dimensiones inadecuadas causa una caída grande del voltaje, lo que resulta en pérdida de energía y posible daño a la herramienta. Consulte la tabla mostrada enseguida para determinar el tamaño de alambre mínimo requerido.

Entre más pequeño sea el número de calibre del alambre, mayor es la capacidad del cable. Por ejemplo: un cable de calibre 14 puede transportar más corriente que un cable de calibre 16. Cuando se utiliza más de un cable de extensión para conformar la longitud total, verifique que cada cable contiene como mínimo el tamaño de alambre mínimo requerido. Si usted está utilizando un cable de extensión para más de una herramienta, sume los amperios indicados en la placa de datos de cada herramienta y utilice la suma para determinar el tamaño de alambre mínimo requerido.

Pautas para utilizar cables de extensión

- Si usted está utilizando un cable de extensión en exteriores, verifique que esté marcado con el sufijo “W-A” (“W” en Canadá) que indica que es aceptable para uso en exteriores.
- Verifique que su cable de extensión tiene los alambres apropiados y que está en buenas condiciones eléctricas. Siempre reemplace un cable de extensión dañado o hágalo reparar por una persona calificada antes de utilizarlo.
- Proteja sus cables de extensión contra objetos cortantes, calor excesivo y áreas mojadas o húmedas.

Calibre de alambre mínimo recomendado para cables de extensión (120 Voltios)

Amperios según la placa de datos (a plena carga)	Longitud del cable de extensión					
	25 pies	50 pies	75 pies	100 pies	150 pies	200 pies
0–2.0	18	18	18	18	16	16
2.1–3.4	18	18	18	16	14	14
3.5–5.0	18	18	16	14	12	12
5.1–7.0	18	16	14	12	12	10
7.1–12.0	18	14	12	10	8	8
12.1–16.0	14	12	10	10	8	6
16.1–20.0	12	10	8	8	6	6

REGLAS DE SEGURIDAD ESPECÍFICAS PARA LAS HERRAMIENTAS OSCILANTE MULTIUSO

⚠ ADVERTENCIA: NO permita que la confianza o familiaridad con el producto (lograda después del uso repetido) reemplace el estricto cumplimiento de estas reglas de seguridad para sierras ingleteadoras. Si usted utiliza esta herramienta de manera insegura o incorrecta, usted puede sufrir graves lesiones personales.

⚠ ADVERTENCIA: Sujete la herramienta mediante las superficies de agarre aisladas al realizar una operación donde la herramienta de corte pudiera hacer contacto con cables ocultos o su propio cable. ¡El contacto con un cable energizado provocará que las piezas metálicas expuestas de la herramienta se energicen y provoquen una descarga eléctrica al operario!

- **Siempre utilice gafas de seguridad.** Las gafas comunes o las gafas de sol no son gafas de seguridad.
- **Sujete la herramienta oscilante multiuso mediante** sus superficies de agarre aisladas para evitar descarga eléctrica procedente de cables energizados ocultos.
- **Siempre sostenga firmemente la herramienta.** NO deje la herramienta en funcionamiento a menos que esté sostenida en las manos.
- **Antes de cortar, verifique que su área de trabajo tiene los espacios libres apropiados.** Esto evitará cortar su mesa de trabajo, el piso, etc.
- **NO corte clavos o tornillos a menos** que esté utilizando una hoja diseñada específicamente para este propósito. Inspeccione su material antes de cortar.
- **Antes de encender la herramienta,** verifique que la hoja no está haciendo contacto con la pieza de trabajo.
- **No utilizar en caso de cambiar de herramienta no activarlo o desactivarlo.** Cualquier herramienta que no puede ser controlado por el interruptor es peligrosa y debe ser reparada.
- **Usar guantes protectores acolchados para minimizar la vibración.** Vibración excesiva puede causar lesiones personales.
- **No arena mojada con esta herramienta.** El agua o la humedad entren en el motor de la vivienda puede provocar descargas eléctricas y lesiones personales graves.
- **Verifique siempre que esté apagada y desenchufada,** Antes de revisar la herramienta, hacer ajustes o agregar accesorios.

⚠ ADVERTENCIA: Antes de utilizar este equipo, lea y entienda todas las advertencias, precauciones e instrucciones de operación. no seguir todas las instrucciones enumeradas a continuación, podría resultar en una descarga eléctrica, un incendio y/o lesiones personales graves.

GUARDE ESTAS INSTRUCCIONES

SU HERRAMIENTA OSCILANTE

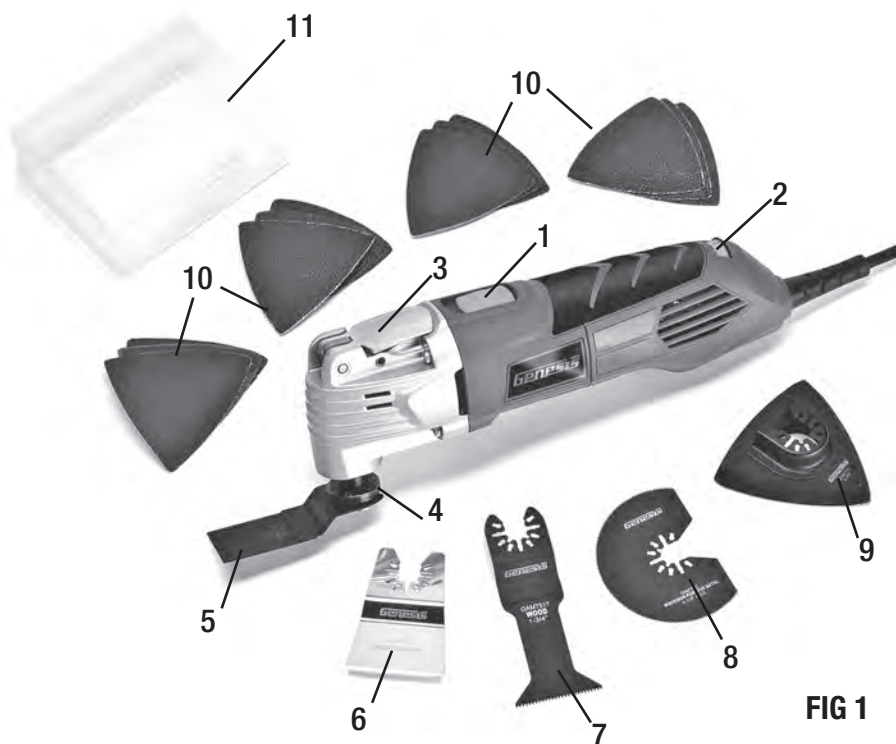


FIG 1

1. Interruptor de ENCENDIDO/APAGADO
2. Selector de velocidad variable
3. Palanca para el cambio rápido de accesorio
4. Bridas
5. Hoja de corte a ras bimetálica de 1-3/8"
6. Hoja rígida para terminaciones

7. Hoja con dientes grandes para corte al ras de 1-3/4"
8. Hoja de sierra HSS segmentada 3-1/8"
9. Base para lijar con fijador rápido de papel
10. Papel de lija
11. Estuche de almacenamiento

DESEMPAQUETADO Y CONTENIDO

IMPORTANTE: Debido a las modernas técnicas de producción en masa, es poco probable que la herramienta esté defectuosa o que una parte se pierda. Si encuentra algo incorrecto, no opere la herramienta hasta que las partes han sido sustituidas o la falla ha sido corregida. El no hacerlo podría resultar en lesiones graves.

PIEZAS SUELTAS EN LA CARTÓN

Descripción	CANT.	Descripción	CANT.
Herramienta oscilante	1	Hoja rígida para terminaciones	1
Hoja de corte a ras bimetálica de 1-3/8"	1	Base para lijar con fijador rápido de papel	1
Hoja de sierra segmentada de HSS de 3-1/8"	1	Papel de lija	12
Hoja con dientes grandes para corte al ras de 1-3/4"	1	Estuche de almacenamiento	1
		Manual del usuario	1

ARMADO Y AJUSTES

⚠ ADVERTENCIA: Para reducir el riesgo de serias lesiones personales, lea y siga todas las advertencias de seguridad importantes y las instrucciones antes de usar esta herramienta.

INSTALACIÓN O RETIRADA DEL ACCESORIOS

⚠ ADVERTENCIA: Verifique siempre que esté apagada y desenchufada antes de revisar la herramienta, hacer ajustes o agregar accesorios.

Con el sistema de cambio rápido de accesorio-en la herramienta y GENESIS™ accesorios de enganches rápidos universales incluidos, el cambio de los accesorios no requiere una herramienta adicional.

Para instalar los accesorios (FIG 2)

1. Gire la palanca del accesorio de cambio rápido (3) hacia adelante por completo, para separar la brida de la hoja (a) y la brida del eje (b) como se muestra en la figura 2.
2. Deslizar el extremo abierto del accesorio en el espacio entre la brida de la hoja (a) y la brida de la flecha (b). La brida del eje de esta herramienta presentan un diseño de 6 espigas. Coloque el accesorio sobre las espigas de la brida del eje. Asegúrese de que los orificios del accesorio se involucran adecuadamente 5 de los 6 espigas.
3. Gire la palanca del accesorio de cambio rápido (3) de nuevo a la posición de bloqueo para fijar el accesorio en su lugar.

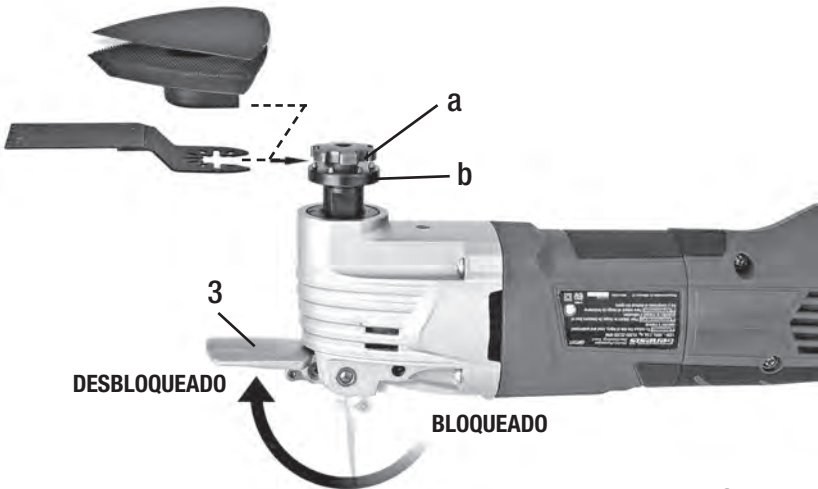


FIG 2

NOTA: Ciertos accesorios, tal como una hoja de sierra, pueden montarse derechos o en ángulo (para mejorar la posición de uso). Verifique siempre que cinco de los seis espigas de la brida estén insertadas, tal como se explica en el paso 2 anterior.

NOTA: Para obtener máxima duración del papel de lija, gire 120 grados la base o el papel cuando la punta se desgaste.

⚠ ADVERTENCIA: NO ajuste el tornillo de fijación a menos que el accesorio esté correctamente asentado sobre la brida del eje.

Para extraer los accesorios de la herramienta, gire la palanca del accesorio de cambio rápido hacia adelante por completo, desconecte el accesorio de las espigas, retire del accesorio de la herramienta.

FUNCIONAMIENTO

⚠ ADVERTENCIA: Para reducir el riesgo de serias lesiones personales, lea y siga todas las advertencias de seguridad importantes y las instrucciones antes de usar esta herramienta.

⚠ ADVERTENCIA: Antes de efectuar cualquier ajuste o preparación de la herramienta, asegúrese de que esté desenchufada del tomacorriente. Si la herramienta no se desenchufa podría arrancar accidentalmente y causar graves lesiones personales.

ACCIÓN DEL INTERRUPTOR (FIG 3)

Para arrancar la herramienta oscilante, deslice el botón de encendido hacia adelante hasta la posición "ON".

Para parar la herramienta oscilante, deslice el botón de encendido hacia atrás hasta la posición "OFF".

SELECTOR DE VELOCIDAD VARIABLE (FIG 3)

Su herramienta oscilante tiene un selector de control de velocidad variable (2) ubicada en la parte trasera de la herramienta. Véase la Figura 5. Usted puede seleccionar la velocidad de oscilación girando el dial de control. La posición 6 es la velocidad máxima (22000 OPM) y el establecimiento de una es la velocidad mínima (15000 OPM).

El control de velocidad variable permite establecer una velocidad óptima de oscilación basado en los accesorios y los materiales utilizados en.

De alta velocidad oscilante recomendado para: lijado, aserrado, áspera de la madera y metales.

Baja velocidad de oscilación se recomienda para: El raspado de la pintura de madera o de retirar la masilla o pegamento.

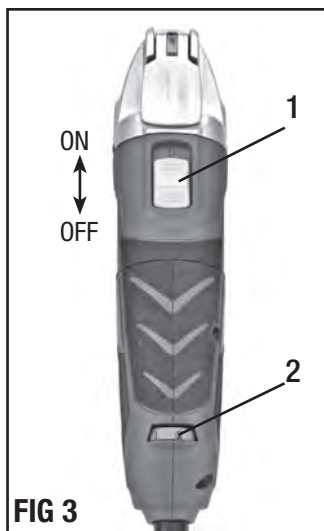


FIG 3

APLICACIÓN

NOTA: Los accesorios recomendados para esta herramienta son GENESIS™ los accesorios universales de la herramienta de ajuste rápidos oscilantes. Por favor, consulte la sección "Guía de referencia de accesorios herramienta oscilante Génesis™" para más detalles.

Esta herramienta oscilante multiuso es apta para cortar y lijar madera, plástico, yeso y metales no ferrosos. Es particularmente apta para cortar a ras y en espacios reducidos. A continuación se mencionan algunas aplicaciones típicas.

CORTE (FIG 4,5,6)

La hoja de corte a ras se utiliza para hacer cortes precisos en espacios reducidos, cerca de bordes y cortes a ras. Durante un corte a ras no debe forzarse la herramienta. Si notara una fuerte vibración al introducir la hoja de corte, significa que está aplicando excesiva presión sobre la herramienta. Reduzca la presión y deje que el movimiento de la herramienta haga el trabajo. En las FIG 4 y 5 pueden verse los usos típicos de la hoja de corte a ras.

NOTA: Es recomendable usar un trozo de material descartado para apoyar la hoja durante un corte a ras. Si debe apoyar la hoja sobre una superficie de material delicado, proteja la superficie con un cartón o cinta de enmascarar.



FIG 4



FIG 5

Utilice la hoja de sierra segmentada para hacer cortes precisos continuos en material de madera, yeso o paneles de yeso. Las aplicaciones incluyen cortar aberturas para cajas de electricidad, reparación de pavimentos, suelos de corte para la ventilación, y más. Ver la Figura 6 para la forma de uso de la hoja de sierra segmentada.

LIJADO (FIG 7)

El uso de accesorios para lijar convierten a la herramienta en una lijadora de precisión. Es apta para lijar en seco madera, plástico y superficies metálicas, particularmente en esquinas, bordes y lugares difíciles de alcanzar. Véase la FIG. 7.

Sugerencias de uso:

1. Lije con toda la superficie del papel de lija y no solamente con la punta.
2. Lije con movimiento continuo y aplique una ligera presión. No aplique presión excesiva. Deje que el movimiento de la herramienta haga el trabajo.
3. Asegure las piezas que sean pequeñas.
4. Elija el papel de lija apropiado para el trabajo a realizar.

CORTES DE TERMINACIÓN (FIG 8)

Las hojas de terminación son aptas para extraer vinilo, barniz, alfombras, sellantes y otros adhesivos.

Para extraer materiales más duros tales como pisos de vinilo, alfombras y adhesivos en superficies amplias, utilice una hoja de terminación rígida.

Para extraer materiales más blandos, tal como sellantes, utilice una hoja de terminación flexible (no incluida con la herramienta).

Sugerencias de uso:

1. Para extraer adhesivos muy pegajosos, engrase la superficie de la hoja para reducir la acumulación de material pegajoso.
2. Comience aplicando una ligera presión. El movimiento oscilatorio comenzará cuando se aplique presión sobre el material que desea extraer.
3. Al extraer sellante de superficies delicadas tales como una tina de baño o azulejos, es recomendable proteger con cinta de enmascarar la superficie sobre la que se apoyará la hoja.

EXTRACCIÓN DE CEMENTO (FIG 9)

Para extraer una capa de cemento dañado o agrietado, o cambiar mosaicos o azulejos, utilice una hoja para cemento (no incluida con la herramienta).

Mueva la hoja hacia adelante y hacia atrás, y haga varias pasadas sobre la franja de cemento. No aplique mucha presión lateral sobre la hoja. Véase la FIG. 9.

ACCESORIOS

Los accesorios recomendados para esta herramienta son GENESIS™ los accesorios universales de la herramienta de ajuste rápidos oscilantes. Por favor, consulte la sección "Guía de referencia de accesorios herramienta oscilante Genesis™" para más detalles.



FIG 6



FIG 7



FIG 8

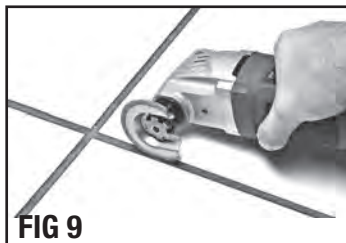


FIG 9

MANTENIMIENTO

LIMPIEZA

Evite el empleo de solventes al limpiar piezas de plástico. La mayoría de los plásticos son susceptibles a diferentes tipos de solventes comerciales y pueden resultar dañados. Utilice paños limpios para eliminar la suciedad, el polvo, el aceite, la grasa, etc.

⚠️ ADVERTENCIA: No permita en ningún momento que fluidos para frenos, gasolina, productos a base de petróleo, aceites penetrantes, etc., lleguen a tocar las piezas de plástico. Las sustancias químicas pueden dañar, debilitar o destruir el plástico, lo cual a su vez puede producir lesiones corporales serias.

Las herramientas eléctricas que se utilizan en materiales de fibra de vidrio, paneles de yeso para paredes, compuestos de resana o yeso, están sujetas a desgaste acelerado y posible fallo prematuro porque las partículas y limaduras de fibra de vidrio son altamente abrasivas para los cojinetes, escobillas, conmutadores, etc. Por consiguiente, no recomendamos el uso de esta herramienta durante períodos prolongados de trabajo en estos tipos de materiales. Sin embargo, si usted trabaja con cualquiera de estos materiales, es sumamente importante limpiar la herramienta con aire comprimido.

LUBRICACIÓN

Su herramienta permanentemente lubricado en la fábrica y no requieren lubricación adicional.

GARANTÍA DE DOS AÑOS

Este producto está garantizado contra defectos de material y de fabricación durante 2 años a partir de la fecha de compra. Esta garantía limitada no cubre el desgaste normal o daños por negligencia o accidente. El comprador original está cubierto por esta garantía y no es transferible. Antes de devolverlo su herramienta para almacenar la ubicación de la compra, por favor llame gratis a la línea de ayuda para las posibles soluciones.

ESTE PRODUCTO NO ESTÁ GARANTIZADO SI SE UTILIZA PARA PROPÓSITOS INDUSTRIALES O COMERCIALES.

LOS ACCESORIOS INCLUIDOS CON ESTE JUEGO NO TIENEN 2 AÑOS DE GARANTÍA.

LÍNEA DE AYUDA GRATUITA

Para preguntas acerca de este o cualquier otro producto GENESIS Llame gratuitamente al teléfono:
888-552-8665.

O visite nuestro sitio web: **www.genesispowertools.com**

©Richpower Industries, Inc. All Rights reserved

Richpower Industries, Inc.
736 Hampton Road
Williamston, SC 29697

Printed in China, on recycled paper

Español

Genesis

Herramienta oscilante multiuso
Manual del Operario

GMT25T

Genesis

Richpower Industries, Inc.
736 Hampton Road
Williamston, SC USA
www.genesispowertools.com