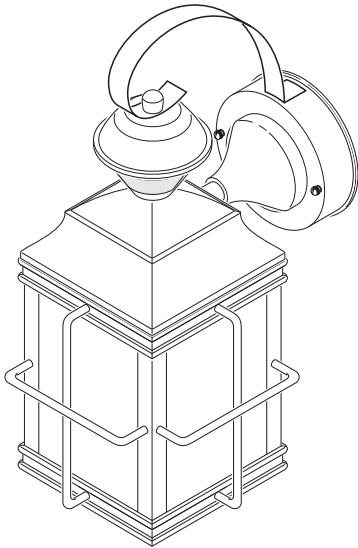


HeathZenith®

DUALBRITE® Motion Sensing Decorative Light

Model

4144



Motion Decorative Light

INSTALLATION AND OPERATING INSTRUCTIONS

SAFETY INFORMATION	2
PREPARATION	2
HARDWARE CONTENTS	2
LIGHT FIXTURE INSTALLATION	3
WIRING THE LIGHT FIXTURE	4
OPTIONAL WIRING	5
MOUNTING THE LIGHT FIXTURE	6
TESTING AND ADJUSTMENTS	6
CARE AND MAINTENANCE	7
TROUBLESHOOTING GUIDE	8
SPECIFICATIONS	8
TECHNICAL SERVICE	9
TWO YEAR LIMITED WARRANTY	9



Questions?

Please refer to the troubleshooting guide in this manual or call our technical service department (English speaking only) at 1-800-858-8501, 8:00 a.m. - 5:00 p.m., CST, Monday - Friday before returning to your retailer.

Keep this manual for future reference.

ATTACH YOUR RECEIPT HERE

Receipt is required for all warranty requests.

Purchase Date _____

* BulbSaver - Light comes on dim and gradually increases to full brightness. When the light turns off it will gradually dim to half-bright, pause, and then will continue dimming until the light turns off.

For a description of the DualBrite® technology, see page 7.

SAFETY INFORMATION

Please read and understand this entire manual before attempting to assemble, operate, or install the product.

This light fixture requires 120-volts AC. All wiring must be in accordance with the National Electrical Code (Canadian Electrical Code in Canada). Some local electrical codes require installation by a qualified electrician.

WARNING

- **Turn power off at circuit breaker or fuse when wiring fixture or replacing bulbs. Place tape over circuit breaker switch and verify power is off at the fixture.**

CAUTION

- **Do not cut any wires that have factory installed wire connectors or remove the wire connectors.**

PREPARATION

Before beginning installation of product, make sure all parts are present. Compare parts with hardware contents list. If any part is missing or damaged, do not attempt to assemble, install, or operate the product.

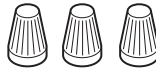
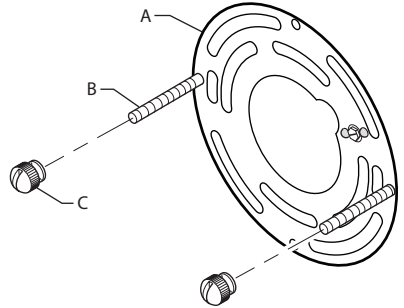
Tools Required for Assembly (not included): Phillips and flathead screwdrivers, pliers, wire strippers/cutters, multi-meter, electrical tape, silicone sealant, safety glasses, work gloves, and ladder

- For easy installation and to operate the light using Manual mode, replace an existing light fixture operated by a wall switch.
- Do not connect to dimmers or timers.
- For best performance, mount fixture about 6 feet (1.8 m) above the ground.

Estimated Installation Time: 30 minutes

HARDWARE CONTENTS

Note: Illustrations may vary from actual unit.



3x – Wire Connectors



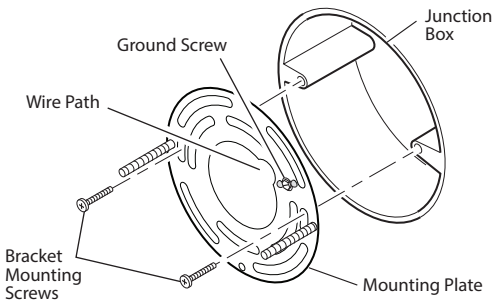
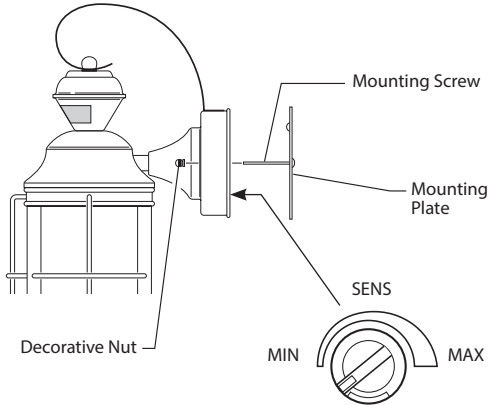
2x – Mounting Bracket Screw

A - (1x) Mounting Bracket
B - (2x) Fixture Mounting Screws
C - (2x) Decorative Nut
(This assembly is attached to the rear of the lantern canopy.)

LIGHT FIXTURE INSTALLATION

For best performance, mount the fixture about 6 feet (1.8 m) above the ground.

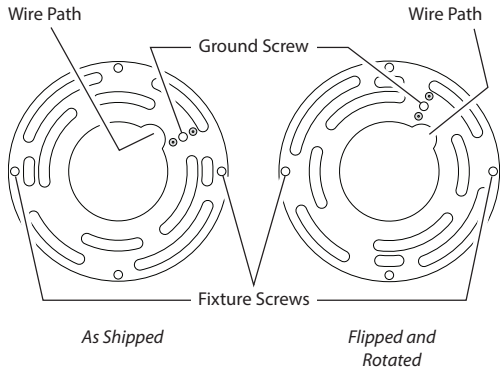
1. Remove two decorative nuts.
2. Remove mounting plate.
3. Tighten mounting screws finger tight.
4. **Set sensitivity control on back of fixture to MIN position.**
5. Attach mounting plate to junction box.



This fixture comes with a universal mounting bracket. It is pre-assembled on the fixture to fit the majority of junction box applications.

If the slots on the mounting plate do not line up with the junction box screw holes, follow these steps:

1. Remove the fixture mounting screws from the mounting plate. *Note:* Do not remove the ground screw.
2. Attach ground wire “pigtail” to ground screw on mounting plate (See *Recommended Grounding Method* for additional information).
3. Flip the mounting plate over.
4. Rotate the mounting plate so the wire path is on the upper right. *Note:* The wire path on the mounting plate must be located as shown below to allow the wires on the back of the fixture to pass through.
5. Reinstall the fixture mounting screws and attach the mounting plate to the junction box as shown.



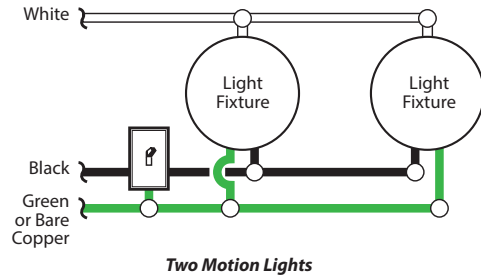
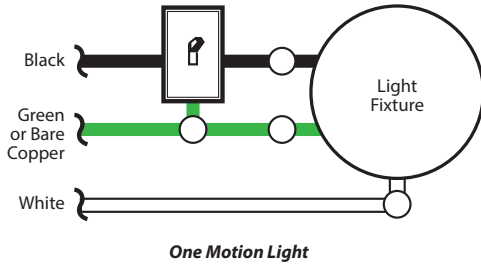
Note: We recommend having an assistant help hold the lantern assembly during the wiring process.

WIRING THE LIGHT FIXTURE

⚠ WARNING: Turn power off at circuit breaker or fuse.

Note: All wiring must be run in accordance with the National Electrical Code through conduit or another acceptable means. **Contact a qualified electrician if there is any question as to the suitability of the system.**

⚠ CAUTION: DO NOT connect the RED wire unless you want to control other lights from the motion sensor (see *Optional Wiring*).

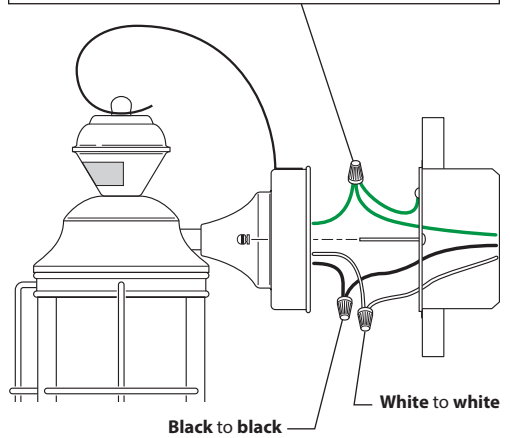


Connect the fixture wires to the wires in the junction box. Twist the wires together and secure with wire connectors.



Recommended Grounding Method

Use a green ground “pigtail” (not provided) and twist one end together with the bare fixture wire and the box ground wire. Secure with a wire connector. Secure the other end of the “pigtail” with the GND screw on the mounting plate.



If you have a metal junction box, you may not need the green “pigtail”. If you are unsure about the grounding method, consult your local building code.

OPTIONAL WIRING

This fixture is provided with a sensor rated for 360 Watts. Since the fixture is only rated 100 Watts, 260 Watts of additional lighting may be controlled by this sensor.

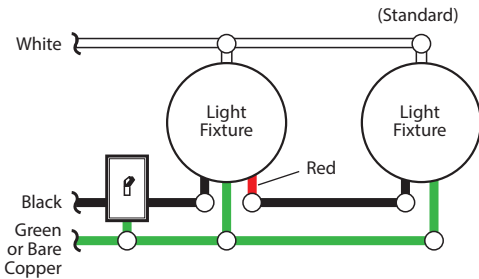
When determining what a fixture is rated for, do not simply look at the rating on the light bulb in the fixture. Look at the marking which specifies the maximum bulb wattage for which the fixture is suitable.

Once you have selected the fixtures to be connected and determined their maximum ratings, add these ratings up. For instance, if you have 3 fixtures rated 100 Watts, 150 Watts, and 75 Watts respectively, you have a total load of 325 Watts.

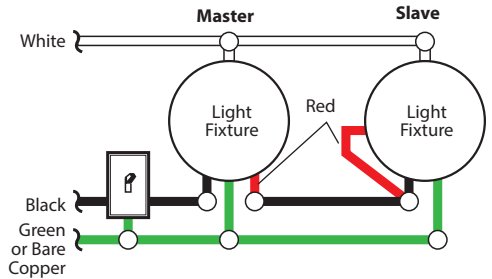
Wiring Diagram 1 – When wiring to control a standard light fixture: Strip the motion sensor's **red** wire and connect to the standard light's **black** wire. Connect all white wires together. Total fixture ratings must not exceed 360 Watts (3.0 A).

Wiring Diagram 2 – When wiring to control another motion sensing light fixture (Master / Slave): Strip the **red** wire in both light fixtures. Connect the **red** wire of the controlling (master) fixture to the **red and black** wires of the controlled (slave) fixture. Connect all white wires together. Total fixture ratings must not exceed 360 Watts (3.0 A).

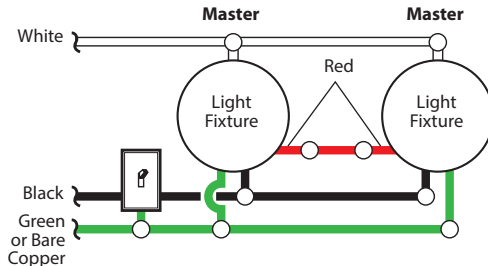
Wiring Diagram 3 – When wiring so either motion light turns on the both motion lights (Master / Master): Strip the red wire in both light fixtures. Connect the **red** wire of one fixture to the **red** wire of the second fixture. *Note:* In most installations, an additional wire (same gauge as existing house wire) will have to be installed in the house to connect the two fixtures as master / master. Connect all white wires together and all black wires together. Total fixture ratings must not exceed 360 Watts (3.0 A).



Wiring Diagram 1



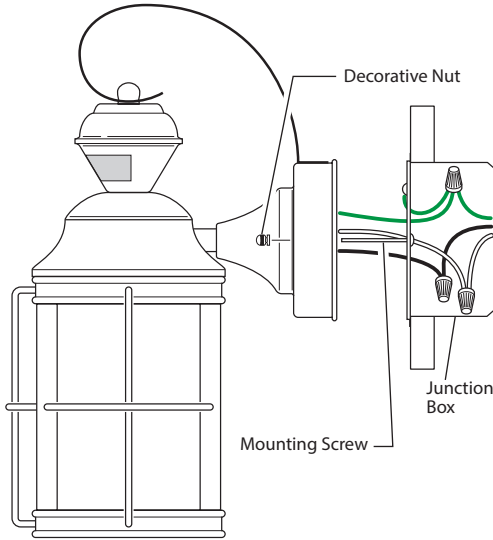
Wiring Diagram 2



Wiring Diagram 3

MOUNTING THE LIGHT FIXTURE

1. Make sure wire connectors and wires are inside the junction box.
2. Slide the fixture assembly onto the mounting screws. Tighten decorative nuts removed in step 1 of *Light Fixture Installation* section securely against fixture base.

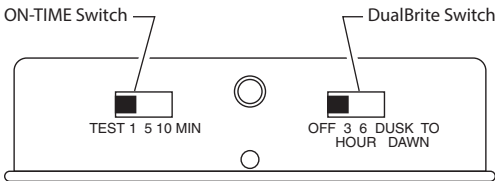


3. Install one medium base light bulb (100Watt maximum, tungsten incandescent).

TESTING AND ADJUSTMENTS

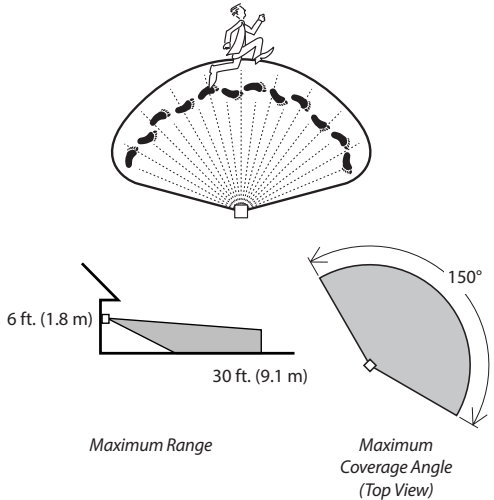
Initial Setup

The TEST mode overrides the photocell (daylight shutoff feature) and allows the light fixture to be tested day or night when the ON-TIME switch is in the TEST position. The light will stay on for 5 seconds after all motion has stopped.

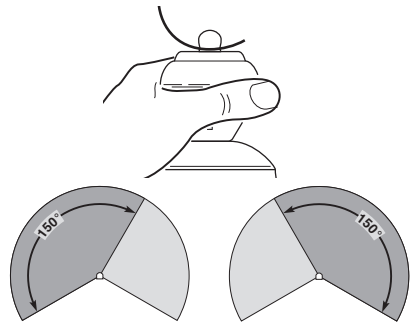


Sensor Controls

1. Turn the DualBrite control to OFF.
2. Set the ON-TIME control to TEST.
3. Turn on the circuit breaker or fuse and the light switch.
4. Allow the sensor to completely warm up (90 seconds) before beginning the setup process.
5. Perform a walk test. Walk in an arc across the front of the sensor.



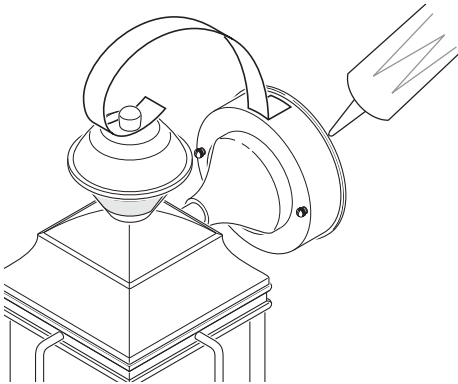
6. Move the sensor head left or right to change the coverage area. **Note:** Grasp the sensor only as shown and turn the entire sensor. **Any other method may damage the sensor. Do not force it past the stops.**



Rotating Sensor Head to Change Coverage Area

Final Setup

1. Adjust the sensitivity (SENS) to increase or decrease the range as needed. Too much sensitivity may cause false triggering due to heat sources in the coverage area (see *Testing and Adjustments or Troubleshooting* section).
2. Set the amount of ON-TIME you want the light to stay on after motion is detected (1, 5, or 10 minutes).
3. Set the DUALBRITE® switch to off, 3 hours, 6 hours, or dusk-to-dawn.
4. **Caulk around fixture base with silicone weather sealant after all Testing and Adjustments are complete.**



Caulking Around Fixture Base

Operating Modes

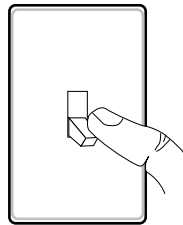
Mode:	On-Time	Works:	Day	Night
Test	5 Seconds		x	x
Auto	1, 5, or 10 Minutes			x
Accent	3, 6 Hour, To Dawn		x	
Manual	To Dawn*			x

* resets to Auto Mode at dawn.

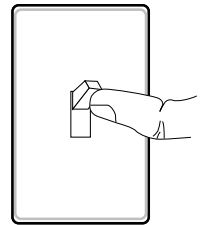
Note: When first turned on wait about 1 1/2 minutes for the circuitry to calibrate.

- **Motion Sensor (AUTO)** – This light fixture is designed to automatically turn on when the sensor detects a temperature difference moving across the front of the motion sensor. The light will turn off automatically after a set amount of time. The ON-TIME control should be set to 1, 5, or 10 minute setting and the wall switch should be left in the ON position at all times.

- **Optional DualBrite® Control** – This optional feature allows the light fixture to turn on at a lower light level after dusk (sunset) for the amount of time selected. When motion is detected, the lights will turn on full bright. This feature can be turned OFF and the motion sensor will continue to work in AUTO mode.
- **Manual Mode** – This light can be activated to stay on full bright after dusk (sunset) for only one night at a time. It automatically resets to motion sensing at dawn (sunrise). Manual mode must be re-activated each night. **Note:** If power to the light fixture is off for more than 5 seconds, allow the electronic circuitry in the sensor to calibrate (90 seconds) prior to switching to manual mode.
 1. To turn on MANUAL mode, switch the light off at the wall switch for 1 to 2 seconds and then back on.
 2. To return to AUTO mode, switch the light off at the wall switch for 1 to 2 seconds and then back on.**Note:** The sensor will also reset to AUTO mode at sunrise.



Turn Switch OFF for 1 to 2 seconds



Turn Switch Back ON

CARE AND MAINTENANCE

- To prolong the original appearance, clean with clear water and a soft damp cloth only.
- Do not use paints, solvents, or other chemicals on this light fixture. They could cause a premature deterioration of the finish. This is not a defect in the finish and will not be covered by the warranty.
- Do not spray with hose or power washer.

TROUBLESHOOTING GUIDE

SYMPTOM	POSSIBLE CAUSE	SOLUTION
Lights will not come on.	<ol style="list-style-type: none"> 1. Light switch is turned off. 2. Light bulb is loose or burned out. 3. Fuse is blown or circuit breaker is turned off. 4. Daylight turn-off is in effect. 5. Sensor not detecting movement. 6. Incorrect circuit wiring, if this is a new installation. 	<ol style="list-style-type: none"> 1. Turn light switch on. 2. Check bulb and replace if burned out. 3. Replace fuse or turn circuit breaker on. 4. Recheck after dark. 5. Re-aim the sensor to cover desired area. 6. Verify wiring is correct.
Lights come on in daylight.	<ol style="list-style-type: none"> 1. Light control may be installed in a relatively dark location. 2. Light control is in TEST. 	<ol style="list-style-type: none"> 1. The fixture is operating normally under these conditions. 2. Set control switch to 1, 5, or 10 minutes.
Lights come on for no apparent reason.	<ol style="list-style-type: none"> 1. Light control may be sensing small animals or automobile traffic. 2. Sensitivity is set too high. 	<ol style="list-style-type: none"> 1. Re-aim sensor. Reduce sensitivity. 2. Reduce sensitivity.
Lights stay on continuously.	<ol style="list-style-type: none"> 1. The sensor may be picking up a heat source like an air vent, dryer vent, or brightly painted, heat-reflective surface. 2. Light control is in Manual Mode. 3. Light control is in DUALBRITE® mode. 4. Sensitivity is set too high. 	<ol style="list-style-type: none"> 1. Re-aim sensor. Reduce sensitivity. 2. Switch to Auto. 3. Slide DUALBRITE® switch to OFF position. 4. Reduce sensitivity.
Lights flash on and off.	<ol style="list-style-type: none"> 1. Light control is in the TEST mode and warming up. 2. Heat being reflected from other objects may be affecting the sensor. 	<ol style="list-style-type: none"> 1. Flashing is normal under these conditions. 2. Re-aim sensor. Reduce sensitivity.
<p>Seasonal Temperature Changes – The closer the surrounding temperature is to a person's body heat, the less sensitive the sensor will appear. The greater the temperature difference, the more sensitive the sensor will appear. The SENS control might need to be readjusted toward MIN or MAX as the outside temperature changes for the different seasons. This is a normal part of the light sensor's operation.</p>		

SPECIFICATIONS

Range	Up to 30 ft. (9.1 m) [varies with surrounding temperature]
Sensing Angle.....	Up to 150°
Sensor Aiming Adjustment Angle	90°
Electrical Load	Up to 100 Watt Maximum Incandescent
Bulb Type	Medium Base, Type "A", 100 Watt Maximum
Sensor Capacity.....	Up to 360 Watt (3.0 A) Maximum Tungsten
Power Requirements.....	120 VAC, 60 Hz
Operating Modes	TEST, AUTO, and MANUAL MODE
ON-Timer.....	1, 5, 10 minutes
DUALBRITE® Timer	Off, 3, 6 hours, dusk-to dawn
Test Timer.....	5 Seconds
Manual Mode Timer.....	Dusk-to-Dawn

TECHNICAL SERVICE

**Please call 1-800-858-8501 (English speaking only) for assistance
before returning product to store.**

If you experience a problem, follow this guide. You may also want to visit our Web site at: www.hzsupport.com. If the problem persists, call* for assistance at **1-800-858-8501** (English speaking only), 8:00 AM to 5:00 PM CST (M-F). You may also write* to:

HeathCo LLC

P.O. Box 90045

Bowling Green, KY 42102-9045

ATTN: Technical Service

* If contacting Technical Service, please have the following information available: Model Number, Date of Purchase, and Place of Purchase.

No Service Parts Available for this Product

Please keep your dated sales receipt, it is required for all warranty requests.

TWO YEAR LIMITED WARRANTY

This is a "Limited Warranty" which gives you specific legal rights. You may also have other rights which vary from state to state or province to province.

For a period of two years from the date of purchase, any malfunction caused by factory defective parts or workmanship will be corrected at no charge to you.

Not Covered - Repair service, adjustment and calibration due to misuse, abuse or negligence, light bulbs, batteries, and other expendable items are not covered by this warranty. Unauthorized service or modification of the product or of any furnished component will void this warranty in its entirety. This warranty does not include reimbursement for inconvenience, installation, setup time, loss of use, unauthorized service, or return shipping charges.

Finish Warranty Exclusions - Finishes for fixtures installed outdoors are subject to change due to prolonged exposure to sunlight, pollutants, and other environmental conditions. Metal finishes will naturally mature over time, changing in appearance and creating a living finish. Painted finishes on outdoor fixtures may naturally fade over time, depending on the fixture's exposure to the outdoor elements. Thus, any claim for fading, discoloration, or "patina" of a finish on an outdoor fixture is not applicable to the above warranty. See "Care and Maintenance", page 7, for proper cleaning of the fixture.

This warranty covers only HeathCo LLC assembled products and is not extended to other equipment and components that a customer uses in conjunction with our products.

THIS WARRANTY IS EXPRESSLY IN LIEU OF ALL OTHER WARRANTIES, EXPRESS OR IMPLIED, INCLUDING ANY WARRANTY, REPRESENTATION OR CONDITION OF MERCHANT ABILITY OR THAT THE PRODUCTS ARE FIT FOR ANY PARTICULAR PURPOSE OR USE, AND SPECIFICALLY IN LIEU OF ALL SPECIAL, INDIRECT, INCIDENTAL, OR CONSEQUENTIAL DAMAGES.

REPAIR OR REPLACEMENT SHALL BE THE SOLE REMEDY OF THE CUSTOMER AND THERE SHALL BE NO LIABILITY ON THE PART OF HEATHCO LLC FOR ANY SPECIAL, INDIRECT, INCIDENTAL, OR CONSEQUENTIAL DAMAGES, INCLUDING BUT NOT LIMITED TO ANY LOSS OF BUSINESS OR PROFITS, WHETHER OR NOT FORESEEABLE. Some states or provinces do not allow the exclusion or limitation of incidental or consequential damages, so the above limitation or exclusion may not apply to you.

Please keep your dated sales receipt, it is required for all warranty requests.

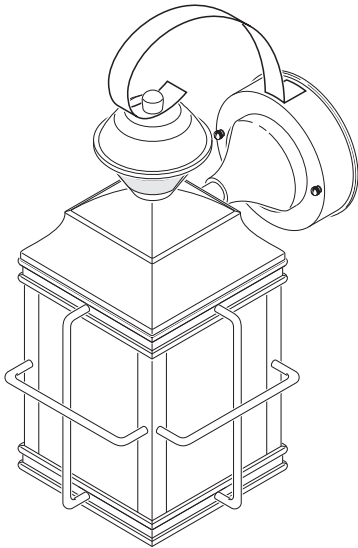
HeathCo LLC reserves the right to discontinue products and to change specifications at any time without incurring any obligation to incorporate new features in products previously sold.

Heath[®]Zenith

Luz decorativa detectora de movimiento DUALBRITE[®]

Modelo

4144



Luz decorativa detectora de movimiento

* Bulb Saver - La luz se enciende tenue y aumenta gradualmente a su brillo completo. Cuando se apaga, la luz irá gradualmente de tenue a medio-brillante, hará una pausa, y luego continuará atenuándose hasta que la luz se apague.

Para una descripción de la tecnología DualBrite[®], vea la página 16.

INSTRUCCIONES PARA SU INSTALACIÓN Y FUNCIONAMIENTO

INFORMACIÓN SOBRE LA SEGURIDAD	11
PREPARACIÓN	11
FERRETERÍA OFRECIDA	11
INSTALACIÓN DEL APARATO DE LUZ	12
CABLEADO DEL APARATO DE LUZ	13
CONEXIÓN ALTERNA	14
MONTAJE DEL APARATO DE LUZ	15
PRUEBAS Y AJUSTES	15
CUIDADO Y MANTENIMIENTO	16
GUÍA DE INVESTIGACIÓN DE AVERÍAS	17
ESPECIFICACIONES	17
SERVICIO TÉCNICO	18
GARANTÍA LIMITADA A 2 AÑOS	18



¿Preguntas?

Por favor, consulte la guía de solución de problemas en este manual o llame a nuestro departamento de servicio técnico (solo para Inglés) al 1-800-858-8501, de 8:00 am - 5:00 pm, hora central, de lunes a viernes antes de volverlo a la tienda.

Guarde este manual para referencia en el futuro.

ADJUNTE SU RECIBO AQUÍ

Se requiere recibo para todas las solicitudes de garantía.

Fecha de compra _____

INFORMACIÓN SOBRE LA SEGURIDAD

Por favor lea y comprenda todo el manual antes de intentar ensamblar, operar o instalar el producto.

Esta lámpara requiere de 120 voltios CA. Todo el cableado debe ser de acuerdo con el Código Nacional de Electricidad (Código Eléctrico Canadiense en Canadá). Algunos códigos eléctricos locales requieren que la instalación sea hecha por un electricista calificado.

ADVERTENCIA

- **Desconecte la alimentación en el disyuntor o fusible cuando haga el cableado de la lámpara o cambie las bombillas. Ponga cinta adhesiva sobre el interruptor del disyuntor y verifique que la electricidad esté apagada en la lámpara.**

PRECAUCIÓN

- **No corte ningún cable que tenga conectores de cables instalados en fábrica ni retire los conectores.**

PREPARACIÓN

Antes de comenzar la instalación, asegúrese de que tiene todas las piezas. Compare las piezas con la lista de ferretería ofrecida. Si alguna pieza falta o está dañada, no intente ensamblar, instalar o utilizar el producto.

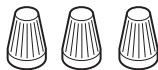
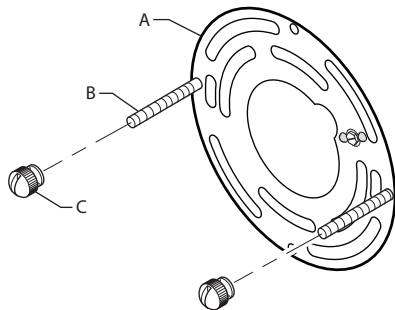
Herramientas necesarias para el montaje (no incluidas): Destornilladores Phillips y de cabeza plana, pinzas, separadores / cortadoras de alambre, multímetro, cinta aislante, sellador de silicona, gafas de seguridad, guantes de trabajo y escalera.

- Para una instalación fácil y para operar la luz utilizando la modalidad Manual, cambie el aparato de luz existente que funciona con un interruptor de pared.
- No lo conecte a atenuadores o temporizadores.
- Para un mejor funcionamiento, monte la unidad cerca de 6 pies (1,8 m) por encima del suelo.

Tiempo estimado de instalación: 30 minutos

FERRETERÍA OFRECIDA

Nota: Las ilustraciones pueden ser diferentes de la unidad comprada.



3x – Conectores de alambre



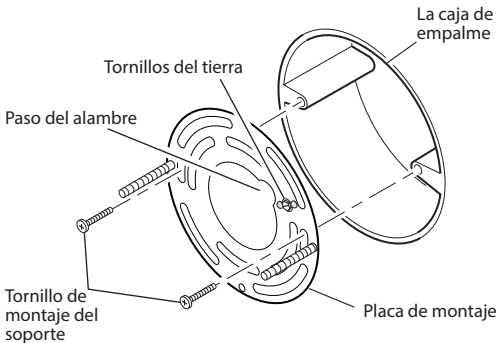
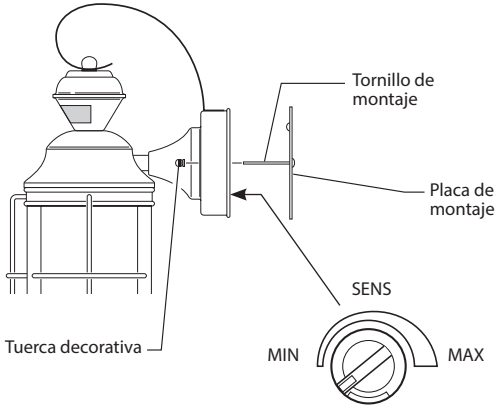
2x – Tornillo del soporte de montaje

A - (1x) Soporte de montaje
B - (2x) Tornillos de montaje del aparato
C - (2x) Tuerca decorativa (Este conjunto está sujeto a la parte trasera del farol)

INSTALACIÓN DEL APARATO DE LUZ

Para un mejor funcionamiento, instale el aparato a casi 1.8 m del suelo.

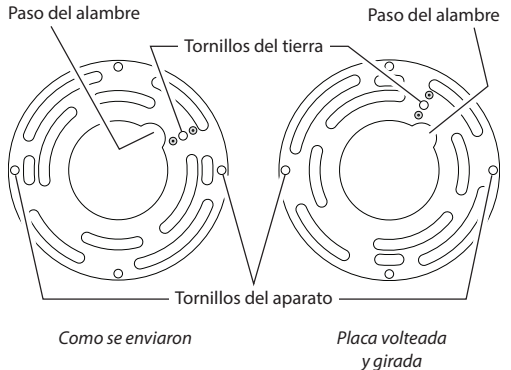
1. Quite dos tuercas decorativas.
2. Quite la placa de montaje.
3. Ajuste lo más que pueda los tornillos para montaje con sus dedos.
4. **Fije el control de sensibilidad en la parte posterior del aparato a la posición MIN.**
5. Atornille la placa de montaje a la caja de empalme.



Este aparato viene con un soporte de montaje universal. Está pre-ensamblado en el aparato para acomodarse a la mayoría de las aplicaciones de cajas de empalme.

Sin embargo, si las ranuras de la placa de montaje no se alinean con los agujeros del tornillo de la caja de empalme:

1. Quite de la placa de montaje los tornillos de montaje del aparato. *Nota:* No quite el tornillo de a tierra.
2. Fije el cable "flexible" al tornillo de a tierra de la placa de montaje (Vea *Método recomendado de conexión a tierra* para más información).
3. Voltee la placa de montaje
4. Voltee la placa de montaje de modo que el agujero de paso del alambre esté en la parte derecha superior. *Nota:* El agujero de paso del alambre en la placa de montaje debe estar ubicado como se muestra abajo para que los alambres de la parte de atrás del aparato puedan pasar.
5. Reinstale los tornillos de montaje del aparato y fije la placa de montaje a la caja de empalme como se muestra.



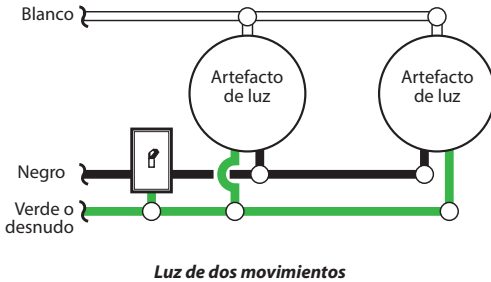
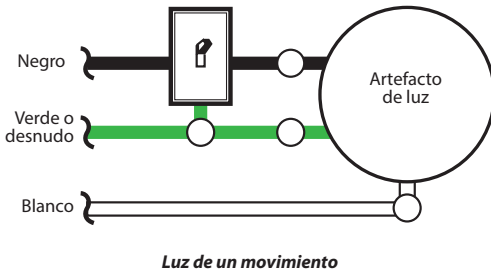
Nota: Recomendamos tener un asistente que ayude a sostener el conjunto del farol durante el proceso de cableado.

CABLEADO DEL APARATO DE LUZ

⚠️ ADVERTENCIA: Desconecte la alimentación en el disyuntor o en el fusible.

Nota: Todo el cableado debe realizarse de acuerdo con el Código Eléctrico Nacional usando tubería o algún otro medio aceptable. **Póngase en contacto con un electricista calificado si tiene alguna pregunta referente a la aptitud del sistema.**

⚠️ CUIDADO: NO conecte el cable ROJO excepto que desee controlar otras luces desde el detector de movimiento (Vea *Conexión Alterna*).

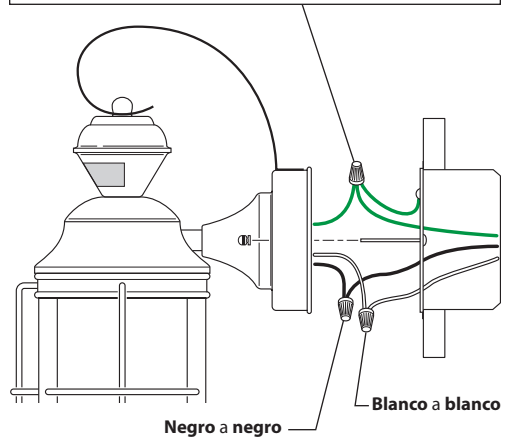


Conecte los alambres del aparato a los alambres de la caja de empalme. Tuerza juntos los alambres y asegúrelos con conectores de alambre.



Método recomendado de conexión a tierra

Use un "cable flexible" verde de tierra (no provisto) y tuerza un extremo con el cable desnudo del aparato y con el cable de a tierra de la caja. Asegúrelos con un conector de cables. Asegure el otro extremo del "cable flexible" con el tornillo de a tierra de la placa de montaje.



Si tiene una caja de empalme de metal, no necesita el "cable flexible". Si no está seguro del método de conexión a tierra, consulte con el código local de construcción.

CONEXIÓN ALTERNA

Este aparato viene con un detector con una potencia de 360 Vatios. Puesto que este aparato tiene sólo una potencia de 100 vatios, 260 vatios de luz adicional pueden ser controlados por este detector.

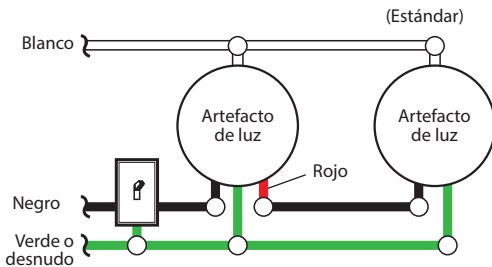
Cuando desee determinar la clasificación de un aparato no vea tan sólo la potencia de la lámpara. Mire la indicación que especifique el voltaje máximo de la lámpara que el aparato puede aceptar.

Una vez que ha escogido los aparatos que se conectarán y ha determinado sus máximas potencias, súmelas. Por ejemplo, si tiene 3 aparatos de 100 , 150 y 75 Vatios respectivamente, usted tendrá un total de 325 Vatios.

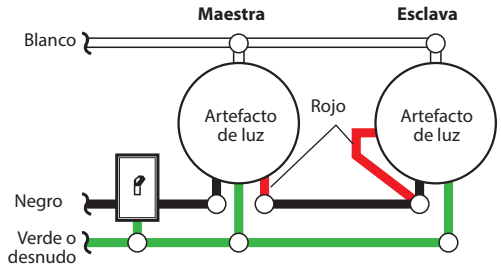
Esquema eléctrico 1 – Cuando prepare una conexión para controlar un aparato de luz estándar: Pele el alambre rojo del detector de movimiento y conéctelo al alambre negro de la luz estándar. Conecte todos los alambres blancos. La capacidad total no debe exceder los 360 Vatios (3.0 A).

Esquema eléctrico 2 – Cuando prepare una conexión para controlar otro aparato de luz detector de movimiento: Pele el alambre rojo en ambos aparatos de luz. Conecte el alambre rojo del aparato controlador (maestro) a los alambres rojo y negro del aparato controlado (esclavo). Conecte todos los alambres blancos. La capacidad total no debe exceder los 360 Vatios (3.0 A).

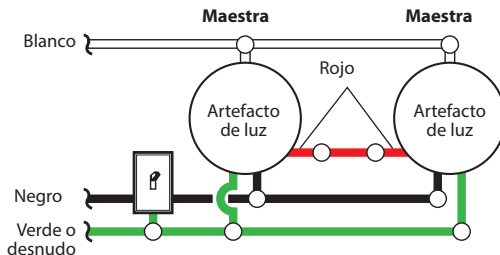
Esquema eléctrico 3 – Cuando haga el cableado para que cualquier luz de movimiento prenda las dos luces que detectan movimiento (Maestro / Maestro): Pele el conductor rojo de ambos aparatos de luz. Conecte el conductor rojo de un aparato al conductor rojo del otro aparato. *Nota:* en la mayoría de las instalaciones se deberá instalar un conductor adicional (del mismo calibre que el conductor de la casa) dentro de la casa para conectar los dos aparatos como maestro / maestro. Conecte entre si todos los alambres blancos y todos los alambres negros. La potencia nominal total del aparato no debe ser más de 360 vatios (3.0 Amp).



Esquema eléctrico 1



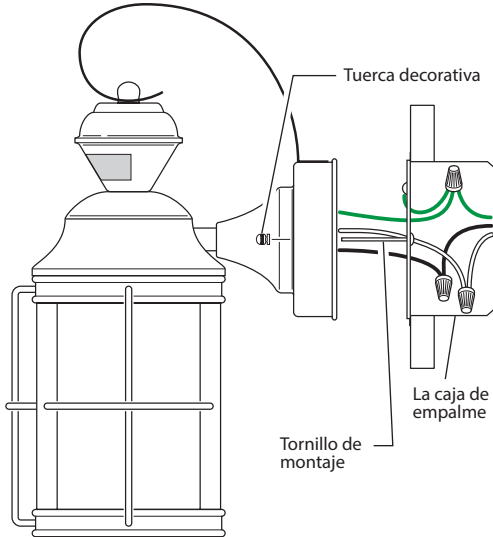
Esquema eléctrico 2



Esquema eléctrico 3

MONTAJE DEL APARATO DE LUZ

1. Asegúrese que los conectores de alambre y los alambres estén dentro de la caja de empalme.
2. Deslice el conjunto del aparato sobre los tornillos de montaje. Apriete las tuercas decorativas quitadas en el paso 1 de la sección *Instalación del Aparato de Luz* firmemente en la base del aparato.

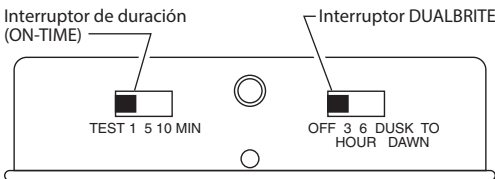


3. Instale una base media para bombilla (100 vatios máximo, tungsteno incandescente).

PRUEBAS Y AJUSTES

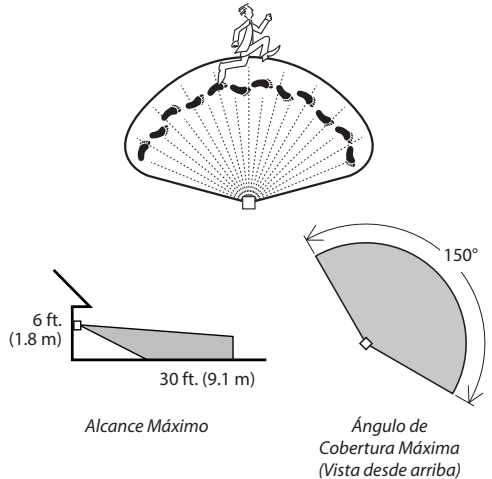
Configuración inicial

La modalidad **TEST** anula la fotocélula (función de apagado durante el día) y permite que el aparato de luz sea probado durante el día o la noche cuando el interruptor ON-TIME se encuentra en la posición **TEST**. La luz permanecerá encendida por 5 segundos después de que todo movimiento se haya detenido.

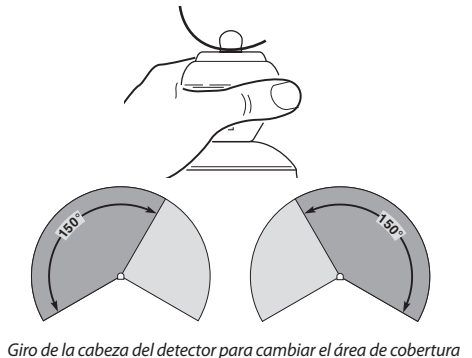


Controles del detector

1. Gire el control DualBrite a **OFF**.
2. Fije el control ON-TIME a **TEST**.
3. Encienda el disyuntor o fusible y el interruptor de la luz.
4. Deje que el sensor se caliente por completo (90 segundos) antes de comenzar el proceso de instalación.
5. Haga una prueba de paso. Camine en arco por la parte delantera del detector.

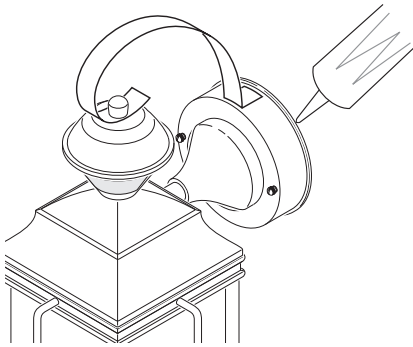


6. Mueva la cabeza del detector hacia la izquierda o derecha para cambiar el área de protección. **Nota:** Agarre sólo el detector, como se muestra, y gire todo el detector. **Cualquier otro método puede dañarlo. No lo forcé más allá de los puntos de parada.**



Configuración final

1. Regule la sensibilidad (SENS) para aumentar o disminuir el alcance según lo que necesite. Demasiada sensibilidad puede ocasionar falsas alarmas debido a fuentes de calor en la zona de cobertura (vea la sección *Ajuste de la zona de cobertura* o la sección *Análisis de averías*).
2. Fije el período de tiempo (ON-TIME) que la luz debe quedarse prendida después de detectar movimiento (1, 5 o 10 minutos).
3. Ponga el interruptor DUALBRITE^{MD} en apagado (off), 3 horas, 6 horas, o dusk-to-dawn (del anochecer al amanecer).
4. **Calafatee alrededor de la base del aparato con un sellador de silicona contra la intemperie después de completar todos los Pruebas y Ajustes.**



Calafatee alrededor de la base del aparato

Modalidades de operación

Modalidad:	A tiempo:	Trabaja:	Día	Noche
Prueba	5 segundos		x	x
Automático	1, 5 o 10 min.			x
Adorno	3, 6 hrs, hasta el amanecer			x
Manual	Hasta el amanecer*			x

*Se pone en Automático al amanecer.

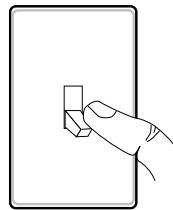
Nota: Cuando encienda por primera vez, espere 1 1/2 minutos para que los circuitos se calibren.

- **Detector de movimiento (AUTO)** – Esta lámpara está diseñada para prenderse automáticamente cuando el sensor detecta una diferencia de temperatura que se mueve por el frente del detector de movimiento. La luz se apagará automáticamente después de un determinado tiempo.

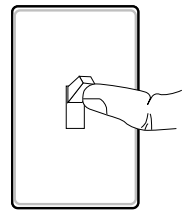
El control ON-TIME se debe fijar a 1, 5 o 10 minutos y al interruptor de pared se lo debe dejar siempre en la posición ON.

- **Control opcional DualBrite®** – Esta función opcional permite que la lámpara se encienda a un nivel de luz baja después del atardecer (puesta del sol) por la cantidad de tiempo seleccionada. Cuando se detecta movimiento, las luces se prenderán con todo su resplandor. Esta característica puede desactivarse y el detector de movimiento seguirá trabajando en la modalidad AUTO.
- **Modalidad Manual** – Esta luz se puede activar para que permanezca con todo su resplandor después del atardecer (puesta del sol) por sólo una noche por vez. Se restablece automáticamente para detectar movimiento al amanecer (salida del sol). La modalidad manual se debe reactivar cada noche. *Nota:* Si la lámpara está apagada por más de 5 segundos, deje que el circuito electrónico del detector se calibre (90 segundos) antes de cambiar a la modalidad manual.

1. Para activar la modalidad MANUAL, apague la luz en el interruptor de pared de 1 a 2 segundos y vuelva a prenderla.
2. Para volver a la modalidad AUTO, apague la luz en el interruptor de pared de 1 a 2 segundos y vuelva a prenderla. *Nota:* El detector también se restablecerá a la modalidad AUTO al amanecer.



Apague el interruptor de 1 a 2 segundos



Vuelva a prender el interruptor

CUIDADO Y MANTENIMIENTO

- Para prolongar la apariencia original, limpie solo con agua clara y un paño suave y húmedo.
- No utilice pinturas, disolventes u otros productos químicos en esta lámpara. Pueden causar un deterioro prematuro del acabado. Esto no es un defecto en el acabado y no estará cubierto por la garantía.
- No lo rocíe con una manguera o una lavadora a presión.

GUÍA DE INVESTIGACIÓN DE AVERÍAS

SÍNTOMA	POSIBLE CAUSA	SOLUCIÓN
Las luces no se prenden.	<ol style="list-style-type: none"> 1. El interruptor de luz está apagado. 2. La bombilla está floja o quemada. 3. El fusible está quemado o el cortacircuitos está apagado. 4. La modalidad de apagado durante el día está en efecto. 5. El sensor no detecta el movimiento. 6. Alambrado incorrecto, si ésta es una nueva instalación. 	<ol style="list-style-type: none"> 1. Encienda el interruptor de luz. 2. Revise la lámpara y cámbiela si está quemada. 3. Cambie el fusible encienda el disyuntor. 4. Reviselo después del anochecer. 5. Apunte de nuevo el detector para cubrir las áreas deseadas. 6. Verifique que el cableado esté correcto.
Las luces se prenden durante el día.	<ol style="list-style-type: none"> 1. El control de luz puede estar instalado en un lugar relativamente oscuro. 2. El control de luz está en fase de Prueba. 	<ol style="list-style-type: none"> 1. El aparato está funcionando normalmente bajo estas condiciones. 2. Fije el interruptor de control a 1, 5 o 10 minutos.
Las luces se prenden sin ninguna razón aparente.	<ol style="list-style-type: none"> 1. El control de luz puede estar detectando animales pequeños o el tránsito de automóviles. 2. La Sensibilidad es demasiado alta. 	<ol style="list-style-type: none"> 1. Reposicione el detector. Reduzca la sensibilidad. 2. Reduzca la sensibilidad.
Las luces se quedan prendidas continuamente.	<ol style="list-style-type: none"> 1. El sensor puede detectar fuentes de calor, como ductos de calefacción y de aire acondicionado, o superficies resplandecientes que reflejan la luz. 2. El control de luz está en fase Manual. 3. El control de luz está en la modalidad DUALBRITE®. 4. La Sensibilidad es demasiado alta. 	<ol style="list-style-type: none"> 1. Reposicione el detector. Reduzca la sensibilidad. 2. Cámbiela a Auto. 3. Deslice el interruptor DUALBRITE® a la posición de apagado (off). 4. Reduzca la sensibilidad.
La luce se prenden y se apagan.	<ol style="list-style-type: none"> 1. El control de luz está en fase de Prueba y calentándose. 2. El calor que se refleja de otros objetos pueden estar afectando al detector. 	<ol style="list-style-type: none"> 1. El prenderse y apagarse es normal bajo estas condiciones. 2. Reposicione el detector. Reduzca la sensibilidad.
<p>Cambios estacionales de temperatura - Cuanto más cerca esté la temperatura ambiental al calor del cuerpo de una persona, el detector parecerá menos sensible. Cuanto mayor sea la diferencia de temperatura, el detector parecerá más sensible. El control SENS puede necesitar ser recalibrado hacia MIN o MAX a medida que la temperatura exterior cambia debido a las diferentes estaciones del año. Esta es una parte normal del funcionamiento del detector de luz.</p>		

ESPECIFICACIONES

Alcance	Hasta 9.1 m. (varía con la temperatura del medio ambiente).
Ángulo de detección	Hasta 150°
Ajuste del ángulo de visión del sensor	90°
Carga Eléctrica	Hasta un máximo de 100 vatios de incandescente
Tipo de bombilla	Casquillo mediano, tipo "A" de 100 vatios máximo
Capacidad del Detector	Foco de tungsteno de hasta 360 vatios (3.0 A) como máximo
Requisitos de Energía	120 VCA, 60 Hz
Fases de Operación	PRUEBA, AUTOMÁTICO y MODO MANUAL
Temporizador de duración (del encendido)	1, 5 o 10 minutos
Temporizador de DUALBRITE®	Apagado, 3, 6 horas, del atardecer al amanecer
Temporizador de prueba	5 segundos
Temporizador de la fase manual	Del atardecer al amanecer

SERVICIO TÉCNICO

Favor de llamar al 1-800-858-8501 (sólo para hablar en inglés) para pedir ayuda antes de devolver el producto a la tienda.

Si tiene algún problema, siga esta guía. Usted puede también visitar nuestro sitio Web: www.hzsupport.com. Si el problema continúa, llame al **1-800-858-8501** (sólo para hablar en inglés), de 8:00 AM a 5:00 PM CST (L-V). Usted puede también escribir a:

HeathCo LLC

P.O. Box 90045

Bowling Green, KY 42102-9045

ATTN: Technical Service (Servicio Técnico)

* Si se llama al Servicio Técnico, por favor tener lista la siguiente información: Número de Modelo, Fecha de compra y Lugar de compra.

No hay piezas de servicio disponibles para este producto.

Por favor guarde su recibo de venta fechado; se lo requiere para cualquier solicitud de garantía.

GARANTÍA LIMITADA A 2 AÑOS

Esta es una "Garantía Limitada" que le da a Ud. derechos legales específicos. Usted puede también tener otros derechos que varían de estado a estado o de provincia a provincia.

Por un período de 2 años desde la fecha de compra, cualquier mal funcionamiento ocasionado por partes defectuosas de fábrica o mano de obra será corregido sin cargo para Ud.

No cubierto - Servicio de reparación, ajuste y calibración debido al mal uso, abuso o negligencia, bombillas, baterías, u otras partes fungibles no están cubiertas por esta garantía. Los Servicios no autorizados o modificaciones del producto o de cualquier componente que se provee invalidarán esta garantía en su totalidad. Esta garantía no incluye reembolso por inconveniencia, instalación, tiempo de instalación, pérdida de uso, servicio no autorizado, o costos de transporte de retorno.

Exclusiones de garantía de los acabados – Los acabados de los aparatos instalados al aire libre están sujetos a cambios debido a su exposición prolongada a la luz solar, a los contaminantes y a otras condiciones ambientales. Los acabados de metal, naturalmente, madurarán con el tiempo, cambiando su apariencia y creando un acabado patinado. Los acabados pintados en aparatos al aire libre pueden desteñirse en forma natural con el tiempo, dependiendo de la exposición del aparato a la intemperie. Por lo tanto, cualquier reclamo por desteñido, decoloración o "pátina" del acabado de un accesorio al aire libre no es aplicable a la garantía antes mencionada. Vea la sección "Cuidado y mantenimiento" en la página 16, para una limpieza adecuada del aparato.

Esta garantía cubre solamente los productos ensamblados por HeathCo LLC y no se extiende a otros equipos o componentes que el consumidor usa junto con nuestros productos.

ESTA GARANTÍA ESTÁ EXPRESAMENTE EN LUGAR DE OTRAS GARANTÍAS, EXPRESADAS O SOBREENTENDIDAS, INCLUYENDO CUALQUIER GARANTÍA, REPRESENTACIÓN O CONDICIÓN DE COMERCIABILIDAD O QUE LOS PRODUCTOS SE ADAPTEN PARA CUALQUIER PROPÓSITO O USO EN PARTICULAR, Y ESPECIFICAMENTE EN LUGAR DE TODOS LOS DAÑOS ESPECIALES, INDIRECTOS, INCIDENTALES Y CONSECUENTES.

LA REPARACIÓN O EL REEMPLAZO DEBERÍA SER LA ÚNICA SOLUCIÓN DEL CLIENTE Y NO HABRÁ RESPONSABILIDAD POR PARTE DE HEATHCO LLC POR CUALQUIER DAÑO ESPECIAL, INDIRECTO, INCIDENTAL O CONSECUENTE, INCLUIDOS PERO NO LIMITADOS A CUALQUIER PÉRDIDA DE NEGOCIO O GANANCIAS SEAN O NO PREVISIBLES. Algunos estados o provincias no permiten la exclusión o limitación de daños incidentales o consecuentes, de modo que la limitación o exclusión arriba indicada puede que no se aplique a Ud.

Por favor guarde su recibo de venta fechado; se lo requiere para cualquier solicitud de garantía.

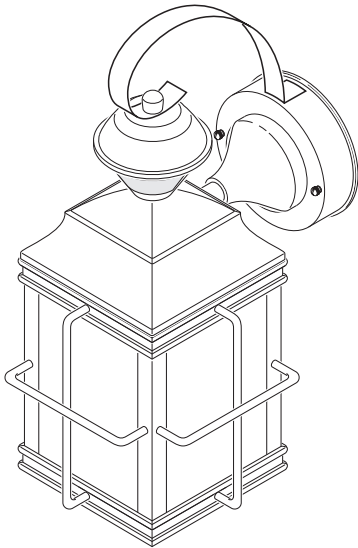
HeathCo LLC se reserva el derecho de discontinuar productos y de cambiar especificaciones a cualquier momento sin incurrir en ninguna obligación de tener que incorporar nuevas características en los productos vendidos con anterioridad.

Heath[®]Zenith

Luminaire décoratif à détecteur de mouvement et fonction DUALBRITE^{MD}

Modèle

4144



Luminaire décoratif à détecteur de mouvement

* ÉconoLampe - L'éclairage s'allume à faible intensité et passe graduellement à la pleine intensité. Lorsque l'éclairage s'éteint, l'intensité est graduellement réduite de moitié, fait une pause, puis la réduction se poursuit jusqu'à l'extinction finale.

Pour une description de la technologie DualBrite^{MD}, consultez la page 25.

INSTRUCTIONS D'INSTALLATION ET MODE D'EMPLOI

RENSEIGNEMENTS DE SÉCURITÉ.....	20
PRÉPARATION	20
QUINCAILLERIE FOURNIE.....	20
INSTALLATION DU LUMINAIRE.....	21
BRANCHEMENT DU LUMINAIRE.....	22
CÂBLAGE FACULTATIF	23
MONTAGE DU LUMINAIRE	24
ESSAIS ET RÉGLAGES	24
ENTRETIEN ET MAINTENANCE	25
GUIDE DE DÉPANNAGE.....	26
FICHE TECHNIQUE.....	26
SERVICE TECHNIQUE	27
GARANTIE LIMITÉE DE 2 ANS	27



Des questions?

Consultez le guide de dépannage du guide ou communiquez avec le service technique (en anglais seulement) au 1 800 858-8501, de 8 h à 17 h, HNC, du lundi au vendredi avant de retourner chez le détaillant.

Conservez ce guide à titre de référence.

FIXEZ VOTRE REÇU DE CAISSE ICI

Le reçu est nécessaire pour toute demande sous garantie.

Date d'achat _____

RENSEIGNEMENTS DE SÉCURITÉ

Veuillez lire et bien comprendre le guide avant de tenter d'assembler, d'utiliser ou d'installer le produit.

Ce luminaire exige une alimentation de 120 volts c.a. Tout le câblage doit être conforme au National Electrical Code (Code canadien de l'électricité au Canada). Certains codes électriques locaux exigent qu'un électricien accrédité installe ce luminaire.

AVERTISSEMENT

- **Coupez l'alimentation au niveau du disjoncteur ou du fusible pour brancher le luminaire ou remplacer les lampes. Placez un bout de ruban adhésif sur le disjoncteur assurez-vous que le courant est bien coupé au luminaire.**

ATTENTION

- **Ne coupez aucun fil doté de capuchons de connexion installés en usine et ne retirez pas ces capuchons de connexion.**

PRÉPARATION

Avant de commencer l'installation du produit, assurez-vous de bien avoir toutes les pièces. Comparez les pièces avec la liste de la quincaillerie fournie. S'il manque une pièce ou si l'une d'elles est endommagée, ne tentez pas d'assembler d'installer ou d'utiliser le produit.

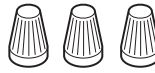
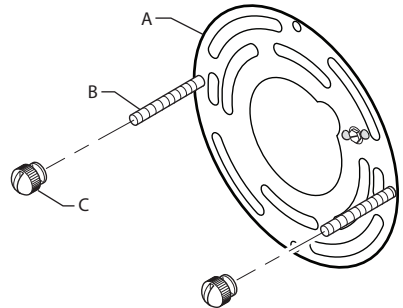
Outils nécessaires à l'assemblage (non fournis) : Tournevis Phillips et à lame droite, pinces, pinces à dénuder et à couper, multimètre, ruban adhésif électrique, scellant d'étanchéité à la silicone, lunettes de sécurité, gants de travail et échelle.

- Pour une installation et une utilisation faciles au moyen du mode Manuel, remplacez un luminaire existant commandé par interrupteur mural.
- Ne connectez pas ce luminaire à un gradateur ni à une minuterie.
- Pour un meilleur rendement, installez le luminaire à environ 6 pieds (1,8 m) du sol.

Durée estimative de l'installation : 30 minutes

QUINCAILLERIE FOURNIE

Remarque : Les illustrations peuvent être différentes de l'appareil acheté.



3x - Capuchons de connexion



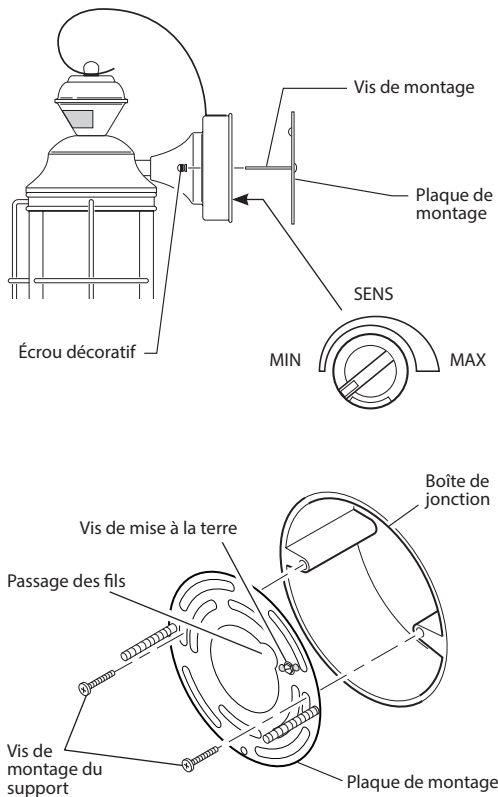
2x - Vis de montage du support

A - (1x) Support de montage
B - (2x) Vis de montage du luminaire
C - (2x) Écrou décoratif
(Cet élément est fixé à l'endos du couvercle de la lanterne.)

INSTALLATION DU LUMINAIRE

Pour un rendement optimal, montez le luminaire à environ 1,8 m au-dessus du sol.

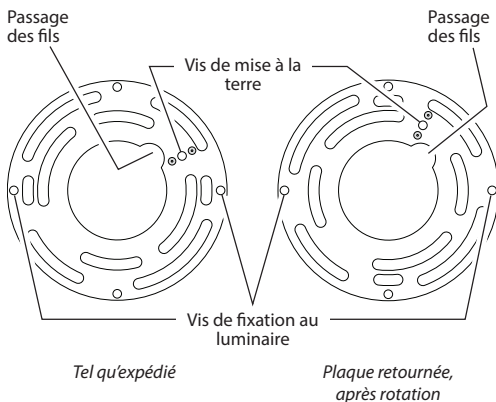
1. Retirez les deux écrous décoratifs.
2. Enlever la plaque de montage.
3. Serrez à la main les vis de la croix.
4. **Réglez à MIN la commande de sensibilité à l'arrière du luminaire.**
5. Fixer la plaque de montage à la boîte de jonction.



Ce luminaire vous est fourni avec un support universel; déjà fixé au luminaire, ce support convient à la majorité des boîtes de raccordement électrique.

Toutefois, si les rainures de la plaque de montage ne correspondent pas aux trous des vis de la boîte :

1. Retirez les vis de fixation au luminaire de la plaque de montage. *Remarque* : Ne retirez pas la vis de mise à la terre.
2. Fixez la « rallonge » du fil de terre à la vis de mise à la terre de la plaque de montage (consultez la section *Méthode de mise à la terre recommandée* pour plus de détails).
3. Retournez la plaque de montage.
4. Faites tourner la plaque de montage de sorte que l'orifice de passage des fils se trouve dans le coin supérieur droit. *Remarque* : L'orifice de passage des fils de la plaque de montage doit être placé comme illustré ci-dessous pour permettre le passage des fils à l'arrière du luminaire.
5. Remettez en place les vis de fixation au luminaire et la vis de mise à la terre, puis fixez la plaque de montage à la boîte de raccordement, comme illustré.



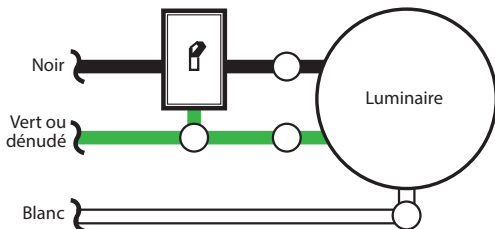
Remarque : Il est recommandé de demander à une autre personne de tenir la lanterne pendant le passage des fils.

BRANCHEMENT DU LUMINAIRE

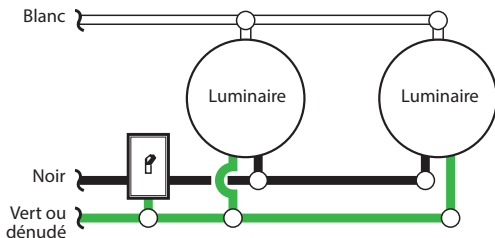
⚠ MISE EN GARDE : Coupez l'alimentation au disjoncteur ou au fusible.

Remarque : Le câblage doit être conforme aux exigences du Code national de l'électricité et être installé dans des canalisations ou autres dispositifs acceptables. **Si vous avez des doutes concernant la convenance du système, consultez un électricien reconnu.**

⚠ AVERTISSEMENT: NE PAS raccorder le fil ROUGE à moins que vous ne vouliez commander d'autres luminaires au moyen du détecteur de mouvement (voir Câblage Facultatif).



Une lanterne à détecteur de mouvement



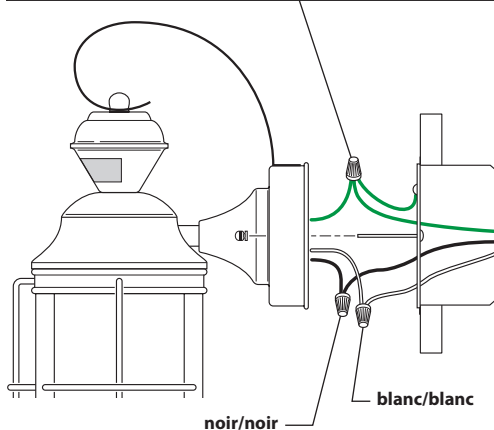
Deux lanternes à détecteur de mouvement

Branchez les fils du luminaire aux fils dans la boîte de raccordement. Torsadez ces fils ensemble, puis ajoutez-y un connecteur de fils.



Méthode de mise à la terre recommandée

Utilisez une «queue de cochon» verte (non fournie) et torsadez-en une extrémité avec le fil nu du luminaire et le fil de terre de la boîte de jonction. Utilisez un serre-fils. Fixez l'autre extrémité de la «queue de cochon» avec la vis de terre (GND) sur la plaque de montage.



Si la boîte de jonction est en métal, vous pourriez nécessiter une «queue de cochon» verte. Si vous avez des doutes sur la méthode de mise à la terre, consultez votre code du bâtiment.

CÂBLAGE FACULTATIF

Ce luminaire est pourvu d'un capteur de 360 W. Comme ce luminaire ne consomme que 100 W, le capteur peut commander 260 W d'éclairage supplémentaire.

Lorsque vous déterminez l'intensité que peut supporter un luminaire, ne vous contentez pas de simplement lire l'intensité indiquée sur l'ampoule. Recherchez l'étiquette indiquant le wattage d'ampoule maximal de l'appareil.

Une fois que vous avez choisi les luminaires à raccorder et déterminé leur intensité maximale respective, additionnez les intensités. Par exemple, si vous avez 3 appareils dont l'intensité est 100 Watts, 150 Watts et 75 Watts respectivement, la charge totale est 325 Watts.

Diagramme de câblage 1 – Câblage d'un luminaire standard : dénudez le fil **rouge** du détecteur de mouvement et raccordez-le au fil **noir** du luminaire standard. Raccordez tous les fils blancs ensemble. L'intensité maximale ne doit pas dépasser 360 Watts (3,0 A).

Diagramme de câblage 2 – Câblage d'un autre luminaire à détecteur de mouvement (Maître / Satellite) : dénudez le fil **rouge** des deux luminaires. Branchez le fil **rouge** du luminaire de commande (maître) aux fils **rouge** et **noir** du luminaire commandé (satellite). Branchez tous les fils blancs ensemble. La consommation totale des luminaires ne doit pas être supérieure à 360 Watts (3,0 A).

Diagramme de câblage 3 – Câblage de sorte que l'une ou l'autre des commandes déclenche les deux luminaires (Maître / Maître) : dénudez le fil **rouge** des deux luminaires. Branchez le fil **rouge** d'un luminaire au fil **rouge** du second luminaire. *Remarque :* Dans la plupart des cas, un fil supplémentaire (de même calibre que le fil de la résidence) doit être installé pour raccorder les deux luminaires en configuration « principal / principal ». Raccordez tous les fils blancs ensemble, puis faites de même avec tous les fils noirs. La consommation totale des luminaires ne doit pas être supérieure à 360 Watts (3,0 A).

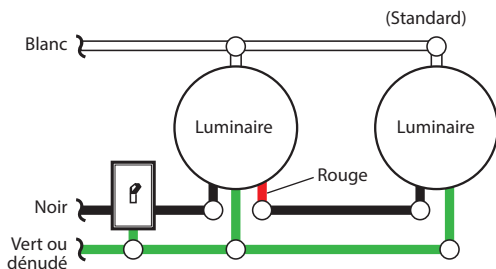


Diagramme de câblage 1

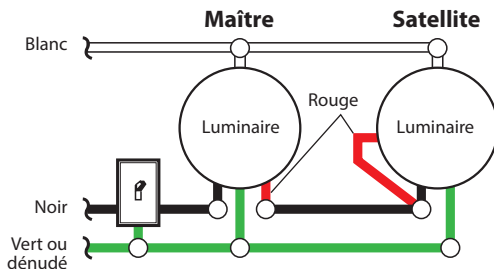


Diagramme de câblage 2

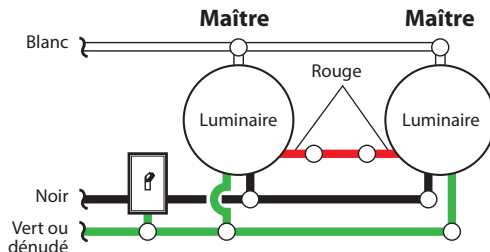
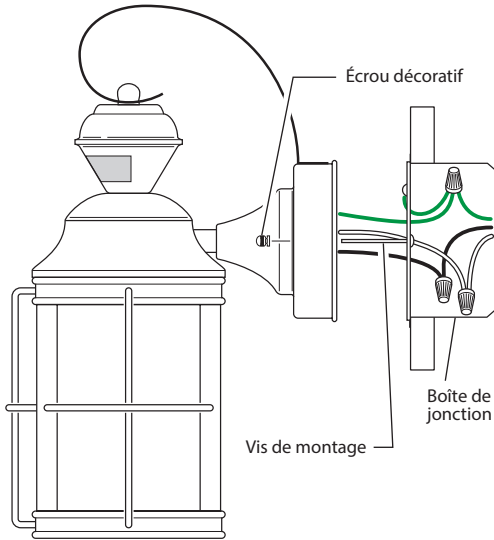


Diagramme de câblage 3

MONTAGE DU LUMINAIRE

1. Assurez-vous que les capuchons de connexion et les fils sont bien insérés dans la boîte de jonction.
2. Faites glisser le socle du luminaire sur les vis de montage. Serrez solidement les écrous décoratifs retirés à l'étape 1 de la section *Installation du luminaire* contre la base du luminaire base.

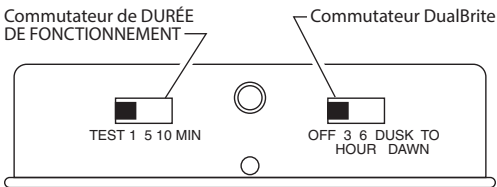


3. Installez une ampoule à culot moyen (maximum de 100 W, tungstène à incandescence).

ESSAIS ET RÉGLAGES

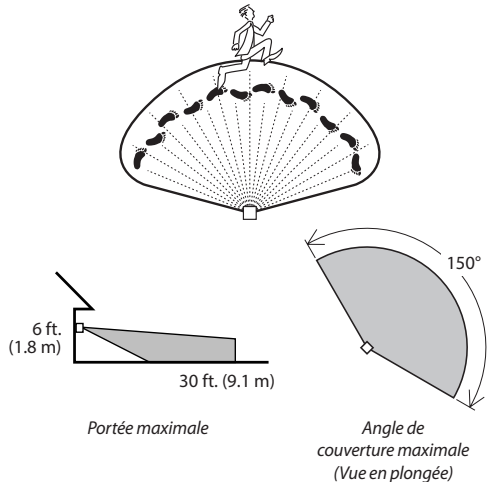
Réglage initial

Le mode TEST contourne la photocellule (fonction d'arrêt pendant la journée) et permet de faire l'essai du luminaire pendant la journée ou la nuit lorsque le commutateur « ON-TIME » est en position TEST. L'éclairage demeure allumé pendant cinq secondes après que le mouvement s'est arrêté.

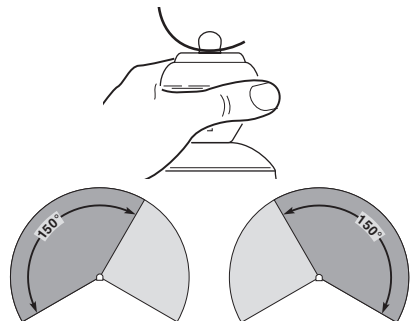


Commandes du détecteur

1. Placez la commande DualBrite à OFF.
2. Placez la commande ON-TIME à TEST.
3. Réenclenchez le disjoncteur ou le fusible et placez l'interrupteur à ON.
4. Laissez le détecteur se réchauffer complètement (90 secondes) avant de commencer le réglage.
5. Effectuez un test de passage. Déplacez-vous selon un arc de cercle devant le détecteur.



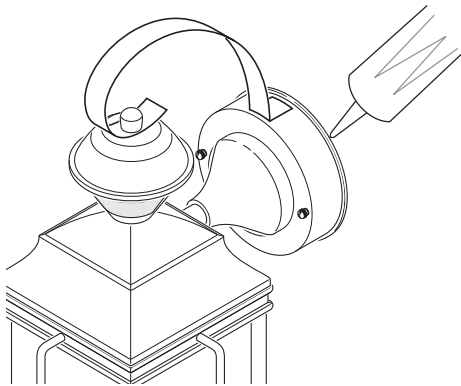
6. Déplacer la tête du détecteur vers la gauche, le droit ou le côté pour modifier la zone de couverture. **Remarque:** Saisir le détecteur seulement de la façon indiquée et tourner tout l'ensemble. **Toute autre façon de faire pourrait endommager le détecteur. Ne pas le forcer au-delà des butées.**



Rotation du capteur pour modifier la zone de couverture

Réglage final

1. Régler la sensibilité (SENS) selon les besoins. Une trop grande sensibilité pourrait entraîner des déclenchements intempestifs attribuables à des sources de chaleur dans la zone de couverture (consultez les sections *Essais et réglages* ou *Guide de dépannage*).
2. Réglez la période (ON-TIME) pendant laquelle vous souhaitez que l'éclairage fonctionne après détection d'un mouvement (1, 5 ou 10 minutes).
3. Placer le commutateur DUALBRITE^{MD} à fermé (off), 3 heures, 6 heures ou crépuscule-aurore (dusk-to-dawn).
4. **Appliquer un scellant à la silicone tout autour de la base du luminaire, une fois tous les Essais et Réglages terminés.**



Scellant d'étanchéité autour de la base

Modes de fonctionnement

Mode:	Temps en circuit:	En fonction:	
		jour	nuit
Essai	5 secondes	x	x
Auto	1, 5 ou 10 min.	x	x
Accentuation	3, 6 h jusqu'à l'aurore		x
Manuel	au choix, amancer*		x

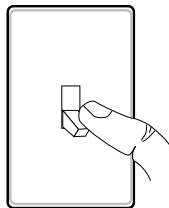
* Revient au mode automatique au lever du soleil.

Remarque : Après mise en circuit, attendre environ 1 1/2 minute pour que l'étalonnage du circuit soit complété.

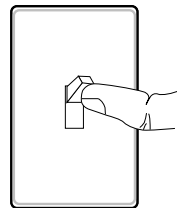
- **Détecteur de mouvement (AUTO)** – Ce luminaire est conçu pour s'allumer automatiquement lorsque le détecteur décele une différence de température qui se déplace devant lui dans la zone de couverture. La lumière s'éteindra automatiquement après le délai de fonctionnement fixé.

La commande ON-TIME devrait être réglée à 1, 5 ou 10 minutes et l'interrupteur devrait être constamment placé en position ON.

- **Commande DualBrite^{MD} facultative** – Cette fonction facultative fait en sorte que le luminaire s'allume à intensité réduite après le coucher du soleil, pendant le délai de fonctionnement fixé. Lorsqu'un mouvement est détecté, la lumière s'allume à pleine intensité. Cette fonction peut être désactivée (OFF), et le détecteur de mouvement continuera de fonctionner en mode AUTO.
- **Mode Manuel** – Ce luminaire peut être réglé pour demeurer allumé à pleine intensité après le coucher du soleil, une nuit à la fois. Il revient automatiquement à l'état initial (AUTO) au lever du soleil. Le mode Manuel doit être réactivé chaque soir. *Remarque :* En cas de coupure de courant pendant plus de 5 secondes, il faut laisser au circuit électronique le temps de s'étalonner (90 secondes) avant de passer en mode manuel.
 1. Pour activer le mode MANUEL, fermez le luminaire au niveau de l'interrupteur mural pendant 1 à 2 secondes, puis remettez-le sous tension.
 2. Pour repasser en mode AUTO, fermez le luminaire au niveau de l'interrupteur mural pendant 1 à 2 secondes, puis remettez-le sous tension. *Remarque :* Le détecteur repassera aussi en mode AUTO au lever du soleil.



Placez l'interrupteur à OFF pendant 1 à 2 secondes.



Remplacez l'interrupteur à ON.

ENTRETIEN ET MAINTENANCE

- Pour conserver l'apparence originale du luminaire, nettoyez-le uniquement au moyen d'eau douce et d'un chiffon mouillé.
- N'appliquez aucune peinture, solvant ou produit chimique sur ce luminaire. Cela pourrait entraîner une détérioration prématurée du fini. Il ne s'agit pas d'un défaut du fini et ce ne sera pas couvert dans le cadre de la garantie.
- Évitez d'asperger au moyen d'un boyau ou d'un nettoyeur à pression.

GUIDE DE DÉPANNAGE

SYMPTÔME	CAUSE POSSIBLE	SOLUTION
L'éclairage ne s'allume pas.	<ol style="list-style-type: none"> 1. L'interrupteur d'éclairage est hors tension. 2. L'ampoule est lâche ou grillée. 3. Le fusible a sauté ou le disjoncteur a été déclenché. 4. La fonction de fermeture pendant le jour est activée. 5. Capteur, sans détection de mouvement. 6. Mauvais câblage du circuit, dans le cas d'une nouvelle installation. 	<ol style="list-style-type: none"> 1. Mettre l'interrupteur sous tension. 2. Vérifier l'ampoule et la remplacer si elle est grillée. 3. Remplacer le fusible ou ré-enclencher le disjoncteur. 4. Essayer de nouveau après la tombée de la nuit. 5. Réorienter le détecteur pour obtenir la couverture désirée. 6. S'assurer que le câblage est approprié.
L'éclairage s'allume en plein jour.	<ol style="list-style-type: none"> 1. La commande peut être installée dans un endroit relativement sombre. 2. La commande d'éclairage est en mode essai. 	<ol style="list-style-type: none"> 1. Le luminaire fonctionne normalement dans de telles conditions. 2. Réglez le commutateur de commande à 1, 5 ou 10 minutes.
L'éclairage s'allume sans raison apparente.	<ol style="list-style-type: none"> 1. Le capteur détecte peut-être de petits animaux ou la circulation automobile. 2. Le réglage de portée est trop élevé. 	<ol style="list-style-type: none"> 1. Réorientez le détecteur. Réduisez la portée. 2. Réduisez la portée.
L'éclairage demeure allumé continuellement.	<ol style="list-style-type: none"> 1. Le capteur peut percevoir une source de chaleur comme une sortie d'air, un événement de sécheuse ou une surface de couleur claire réfléchissant la chaleur. 2. La commande d'éclairage est en mode Manuel. 3. La commande d'éclairage est en mode DUALBRIT^{MD}. 4. Le réglage de portée est trop élevé. 	<ol style="list-style-type: none"> 1. Réorientez le détecteur. Réduisez la portée. 2. Faites-la passer au mode Auto. 3. Faire glisser le commutateur DUALBRIT^{MD} en position OFF. 4. Réduisez la portée.
L'éclairage clignote.	<ol style="list-style-type: none"> 1. La commande d'éclairage est en mode essai et se réchauffe. 2. La chaleur qui est réfléchiée par d'autres objets peut affecter la commande d'éclairage. 	<ol style="list-style-type: none"> 1. Le clignotement est normal dans ces deux cas. 2. Réorientez le détecteur. Réduisez la portée.
<p>Changements saisonniers de température – Plus la température environnante se rapprochera de la température corporelle d'une personne, moins le détecteur semblera sensible. Plus l'écart de température sera important, plus le détecteur semblera sensible. La commande SENS pourrait devoir être réglée de nouveau, en direction du MIN ou du MAX, à mesure que la température change d'une saison à l'autre. Cela fait partie du fonctionnement normal du détecteur du luminaire.</p>		

FICHE TECHNIQUE

Portée	Jusqu'à 9,1 m [varie selon la température environnante]
Angle de détection.....	Jusqu'à 150°
Angle d'ajustement de visée du capteur.....	90°
Charge électrique.....	Jusqu'à une ampoule incandescentes, pour un maximum de 100 Watt
Type d'ampoule	Culot moyen, type A, 100 W maximum
Capacité du détecteur	Tungstène jusqu'à 360 watts (3,0 A) maximum
Courant requis.....	120 V c.a., 60 Hz
Modes de fonctionnement.....	ESSAI, AUTO et MANUEL
Minuterie de fonctionnement.....	1, 5 ou 10 minutes
Minuterie de DUALBRIT ^{MD}	Fermé, 3, 6 heures, crépuscule-aurore
Minuterie d'essai.....	5 secondes
Minuterie du mode MANUEL.....	Du coucher au lever du soleil

SERVICE TECHNIQUE

Veillez faire le 1 800 858-8501 (service en anglais seulement) pour obtenir de l'aide avant de retourner l'article au magasin.

En cas de problème, suivez ce guide. Vous pouvez aussi visiter notre site Web à www.hzsupport.com. Si le problème persiste, composez* le **1 800 858-8501** (service en anglais seulement), entre 8 h 00 et 17 h 00, HNC, du lundi au vendredi. Vous pouvez aussi écrire au :

HeathCo LLC

P.O. Box 90045

Bowling Green, KY 42102-9045

ATTN: Technical Service (Service technique)

* Lors d'un appel au service technique, veuillez avoir les renseignements suivants à portée de main : numéro du modèle, date d'achat et endroit de l'achat.

Aucune pièce de rechange n'est disponible pour ce produit.

Veillez conserver le reçu portant la date d'achat; vous en aurez besoin pour toutes vos demandes liées à la garantie.

GARANTIE LIMITÉE DE 2 ANS

Il s'agit d'une « Garantie limitée » qui vous confère des droits juridiques spécifiques. Vous pouvez également jouir d'autres droits, variables d'une province à l'autre.

Pendant une période de 2 ans à compter de la date d'achat, toute anomalie de fonctionnement imputable à un vice de matériau ou de main-d'oeuvre sera corrigée gratuitement.

Exclusions de la garantie - Réparations, réglage et calibrage dus à une mauvaise utilisation, un mauvais traitement ou à la négligence. Les ampoules, les piles et des autres articles non durables ne sont pas couverts par cette garantie. Le service non autorisé ou la modification du produit ou d'un ou l'autre de ses composants fournis invalidera totalement la présente garantie. Cette garantie n'inclut pas le remboursement pour le dérangement, l'installation, le réglage, la perte d'utilisation, le service non autorisé ou les frais d'expédition pour le renvoi de la marchandise.

Exclusions de la garantie sur le fini - Le fini des luminaires installés à l'extérieur peut changer en raison de l'exposition prolongée au soleil, aux polluants et aux intempéries. Les finis métalliques vieillissent avec le temps, de sorte que leur apparence change pour adopter un fini patiné. La peinture des luminaires extérieurs peut se décolorer avec le temps, selon le degré d'exposition de l'appareil aux éléments extérieurs. Par conséquent, la décoloration, la dégradation de la couleur et l'apparence patinée du fini d'un luminaire extérieur ne peuvent faire l'objet d'une demande d'indemnisation en vertu de la garantie ci-dessus. Consultez la section Entretien et maintenance à la page 25 pour connaître la procédure appropriée de nettoyage du luminaire.

La garantie ne couvre que les produits assemblés HeathCo LLC et ne s'étend pas aux autres équipements et composants que le client pourrait utiliser conjointement avec nos produits.

CETTE GARANTIE TIEN EXPRESSÉMENT LIEU DE TOUTES AUTRES GARANTIES, EXPLICITES OU IMPLICITES, Y COMPRIS DE TOUTE GARANTIE DE REPRÉSENTATION OU DE CONDITION DE CONVENANCE À LA COMMERCIALISATION OU À L'EFFET QUE LES PRODUITS VENIENNENT À UN BUT OU À UNE UTILISATION PARTICULIÈRE, ET SPÉCIFIQUEMENT DE TOUTS DOMMAGES SPÉCIAUX, DIRECTS, INDIRECTS OU SECONDAIRES.

LE REMPLACEMENT OU LA RÉPARATION CONSTITUENT LE SEUL RECOURS DU CLIENT ET HEATHCO LLC NE POURRA ÊTRE TENUE RESPONSABLE DE TOUTS DOMMAGES SPÉCIAUX, DIRECTS, INDIRECTS OU SECONDAIRES, Y COMPRIS, SANS S'Y LIMITER, LES PERTES COMMERCIALES ET PERTES DE PROFIT, QU'ELLES SOIENT PRÉVISIBLES OU NON. Certaines provinces n'autorisent pas l'exclusion ou la limitation des dommages indirects ou secondaires, et la limitation ou l'exclusion ci-dessus pourrait ne pas s'appliquer à vous.

Veillez conserver le reçu portant la date d'achat; vous en aurez besoin pour toutes vos demandes liées à la garantie.

HeathCo LLC se réserve le droit d'abandonner tout produit et d'en changer les spécifications, en tout temps et sans contracter quelque obligation que ce soit quant à l'incorporation de nouvelles caractéristiques aux produits déjà vendus.

Heath[®]Zenith

Purchase Information
Información de la compra
Renseignements d'achat

Model #: _____

Nº de modelo / Nº de modèle

Date of Purchase: _____

Fecha de compra / Date d'achat

Staple Purchase Receipt Here
Engrape aquí el recibo de compra
Agrafez le reçu d'achat ici

**PLEASE KEEP YOUR DATED SALES RECEIPT,
IT IS REQUIRED FOR ALL WARRANTY REQUESTS.**

**POR FAVOR GUARDE SU RECIBO DE VENTA FECHADO; SE LO
REQUIERE PARA CUALQUIER SOLICITUD DE GARANTÍA.**

**VEUILLEZ CONSERVER LE REÇU PORTANT LA DATE D'ACHAT;
VOUS EN AUREZ BESOIN POUR TOUTES VOS DEMANDES LIÉES
À LA GARANTIE.**