

IRWIN®

Vises



www.irwin.com

The Complete Solution for Vises

With a diverse offering that ranges from widely-used general purpose vises to the most popular specialty vises, IRWIN® vises are built to handle any job. The impressive, versatile line of vises from IRWIN is designed with the most sought-after features to fit every application, from the garage workbench to the factory floor. Whether used for cutting, screwing, drilling, planing, sanding, or just holding, there is an IRWIN vise that's perfect for the any type of holding application. Designed and manufactured to the highest standards, and built with the best available materials, IRWIN vises are available in a variety of styles, jaw widths, jaw capacities, base types, and clamping forces. Refer to the chart below to select the best vise for the job.

VICES

HOW TO SELECT A VISE																		
	Heavy Duty Workshop Vises			Light Duty Workshop Vise	Mechanics Vises			Clamp-on Vise	Drill Press Vise	Wood-workers Vise	Bench Vise	Multi-purpose Vise	Record® Mechanics Vises					
	226304ZR	226305ZR	226306ZR	4935507	4935506	4935504	226303ZR	226340	226361	2026303	4935505	1ZR	3	4ZR	5	6	8ZR	
Jaw Width	4" 10 cm	5" 12 cm	6" 15 cm	4-1/2" 11 cm	6" 15 cm	4" 10 cm	3" 7 cm	4" 10 cm	6-1/2" 17 cm	4-1/2" 11 cm	5" 12 cm	3" 75 mm	4" 100 mm	4-1/2" 115 mm	5" 127mm	6" 152 mm	8" 203 mm	
Jaw Capacity	3" 7 cm	4" 10 cm	5" 12 cm	3" 7 cm	4.9" 12 cm	3" 7 cm	2" 5 cm	4-1/2" 11 cm	4-1/2" 11 cm	4" 10 cm	4.9" 12 cm	3-3/4" 95 mm	4-3/4" 121 mm	5-1/2" 140 mm	6-1/2" 165 mm	8" 203 mm	9-1/4" 235 mm	
Throat Depth	2.2" 5.6 cm	2.6" 6.6 cm	3" 7 cm	2-3/8" 6 cm	3" 7 cm	2-3/8" 6 cm	3" 7 cm	1/2" 1 cm	2" 5 cm	2-3/8" 6 cm	3" 7 cm	1-7/8" 48 mm	2-3/4" 70 mm	3" 75 mm	3-1/4" 82 mm	3-1/2" 90 mm	4" 100 mm	
Swivel Base	360°	360°	360°	240°	120°	120°	N/A	N/A	N/A	N/A	360°	N/A	N/A	N/A	N/A	N/A	N/A	
Pipe Jaw	N/A	N/A	N/A	YES	N/A	N/A	YES	N/A	N/A	YES	YES	N/A	N/A	N/A	N/A	N/A	N/A	
Typical Workpiece Weight	<15 lbs.	<26 lbs.	<30 lbs.	<9 lbs.	<30 lbs.	<12 lbs.	<4 lbs.	N/A	N/A	<11 lbs.	<33 lbs.	<12	<30	<40	<50	<70	<80	
General Purpose	BEST	BEST	BEST	BETTER	BEST	BEST	BETTER	NR	NR	BEST	BEST	BEST	BEST	BEST	BEST	BEST	BEST	
Hobbyist	NR	NR	NR	BEST	BETTER	BETTER	BEST	NR	BEST	BEST	BETTER	BETTER	BETTER	BETTER	NR	NR	NR	
Light Duty	NR	NR	NR	BEST	BETTER	BETTER	BEST	BETTER	BEST	BEST	BETTER	BETTER	BETTER	BETTER	NR	NR	NR	
Drill Press	N/A	N/A	N/A	N/A	N/A	N/A	N/A	BEST	N/A	N/A	N/A	N/A	N/A	N/A	N/A	N/A	N/A	
Round Stock/Pipe	BETTER	BETTER	BETTER	BEST	BETTER	BETTER	BEST	NR	NR	BEST	BEST	BETTER	BETTER	BETTER	BETTER	BETTER	BETTER	
Portable	NR	NR	NR	NR	NR	NR	BEST	BEST	NR	NR	NR	NR	NR	NR	NR	NR	NR	

BEST Best choice for application

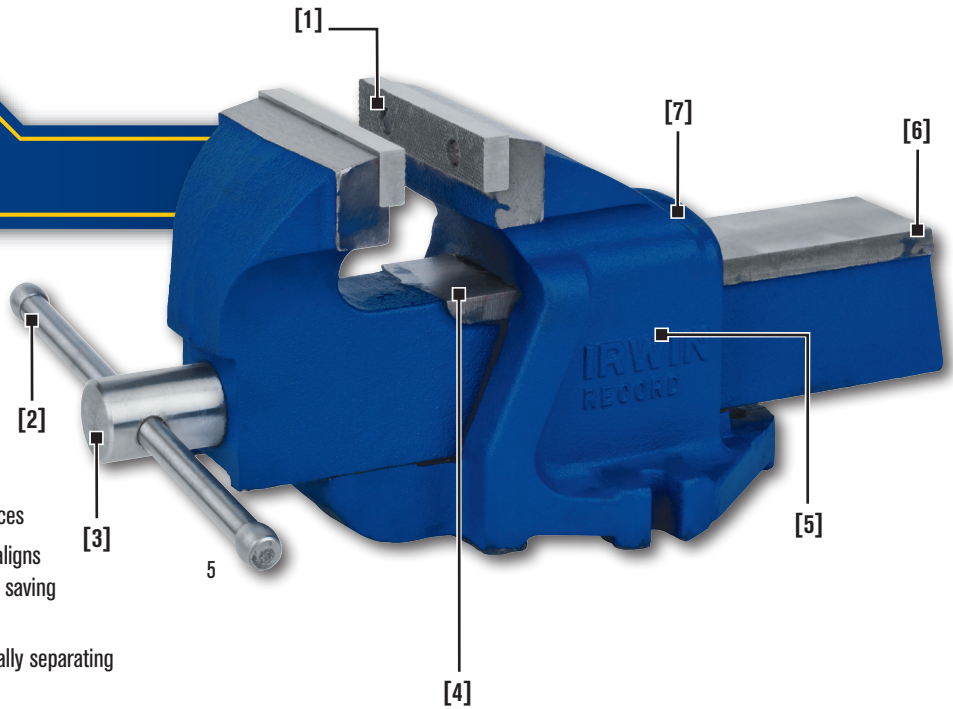
BETTER Better choice for application

NR Not recommended for application

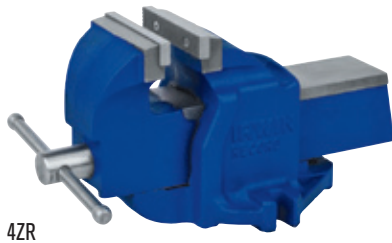
Record® Mechanics Visés

RECORD MECHANICS VISE FEATURES

1. Replaceable hardened steel jaws
2. Fused steel handle bends before vise can be overstressed
3. Machined steel mainscrew with rolled two-start acme thread for wear-resistance and smooth operation
4. Fully-machined on all load-bearing surfaces
5. Internal SG nut takes load, secures and aligns mainscrew. Can be replaced when worn, saving cost of replacement of whole vise body
6. Safety stop prevents slide from accidentally separating from body
7. Lip on back body guides filings and fragments away from the slide

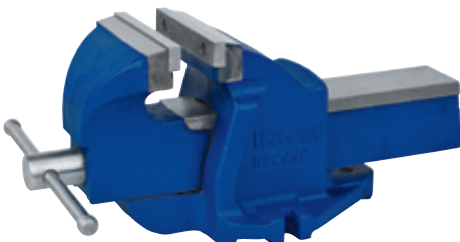


4-1/2" Record Mechanics Vise



4ZR

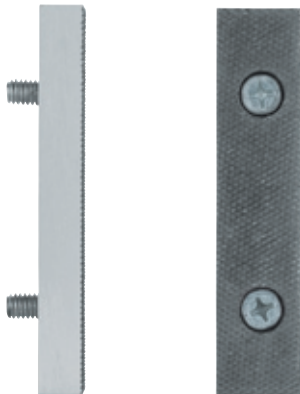
6" Record Mechanics Vise



6

Description	Weight	Pack Qty	Item #
3" Mechanics Vise	12 lbs	1	1ZR
4" Mechanics Vise	33 lbs	1	3
4-1/2" Mechanics Vise T4	42 lbs	1	4ZR
5" Mechanics Vise T5	53 lbs	1	5
6" Mechanics Vise T6	70 lbs	1	6
8" Mechanics Vise T8	84 lbs	1	8ZR

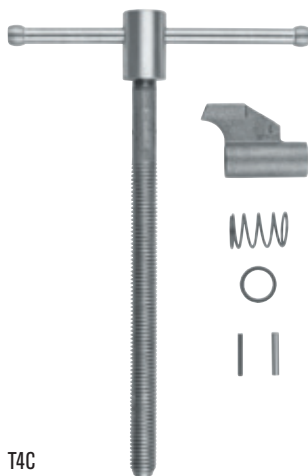
Replacement Jaw Plates



T4D

Description	Pack Qty	Item #
Pair Jaw Plates (3") & Screws for #1ZR Mechanics Vise	1	T1D
Pair Jaw Plates (4") & Screws for #3 Mechanics Vise	1	T3D
Pair Jaw Plates (4-1/2") & Screws for #4ZR Mechanics Vise 4-1/2", Pre-1996	1	T4D
Pair Jaw Plates (4-1/2") & Screws for #4 Mechanics Vise	1	T4DN
Pair Jaw Plates (5") & Screws for #5 Mechanics Vise	1	T5D
Pair Jaw Plates (6") & Screws for #6 Mechanics Vise	1	T6D
Pair Jaw Plates (8") & Screws for #8ZR Mechanics Vise	1	T8D

Replacement Mainscrew



T4C

Description	Pack Qty	Item #
Mainscrew with Handle, Nut, Pin, Spring, and Washer for #1ZR Mechanics Vise	1	T1C
Mainscrew with Handle, Nut, Pin, Spring, and Washer for #3 Mechanics Vise	1	T3C
Mainscrew with Handle, Nut, Pin, Spring, and Washer for #4ZR Mechanics Vise	1	T4C
Mainscrew with Handle, Nut, Pin, Spring, and Washer for #5 Mechanics Vise	1	T5C
Mainscrew with Handle, Nut, Pin, Spring, and Washer for #6 Mechanics Vise	1	T6C
Mainscrew with Handle, Nut, Pin, Spring, and Washer for #8ZR Mechanics Vise	1	T8C

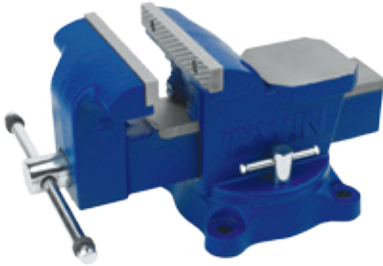
Fiber Grips



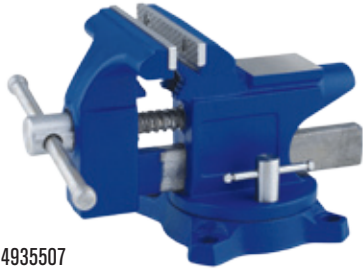
FG412

Description	Pack Qty	Item #
Swivel Base for Item #3: 4" Mechanics Vise	1	T3SB
Swivel Base for Item #4ZR: 4-1/2" Mechanics Vise	1	T4SB
Swivel Base for Item #6: 6" Mechanics Vise	1	T6SB
3" Fiber Grip Clip-On Jaws	1	FG3
3-1/2" Fiber Grip Clip-On Jaws	1	FG312
4" Fiber Grip Clip-On Jaws	1	FG4
4-1/4" Fiber Grip Clip-On Jaws	1	FG414
4-1/2" Fiber Grip Clip-On Jaws	1	FG412
5" Fiber Grip Clip-On Jaws	1	FG5
5-1/4" Fiber Grip Clip-On Jaws	1	FG514
6" Fiber Grip Clip-On Jaws	1	FG6

IRWIN Workshop Vises



226306ZR

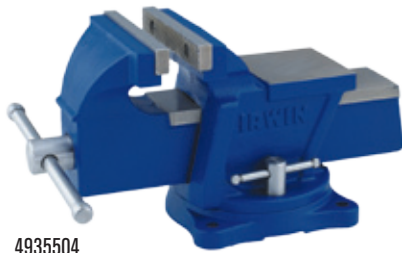


4935507

Description	Weight	Pack Qty	Item #
Workshop Vises			
4" Heavy Duty Workshop Vise	15.7 lbs.	1	226304ZR
5" Heavy Duty Workshop Vise	26.4 lbs.	1	226305ZR
6" Heavy Duty Workshop Vise	30.6 lbs.	1	226306ZR
4-1/2" Light Duty Workshop Vise	11.22 lbs.	1	4935507

- Captured safety jaw to prevent slide from falling out on Heavy Duty
- Swivel base
- Anvil and pipe jaws incorporated
- Aggressive steel jaws

IRWIN Mechanics Vises



4935504



4935505

Description	Weight	Pack Qty	Item #
Mechanics Vises			
4" Mechanics Vise	12.1 lbs.	1	4935504
5" Multi-purpose Vise	33.1 lbs.	1	4935505
6" Mechanics Vise	30 lbs.	1	4935506

- Fused steel handle
- Swivel base
- Anvil incorporated
- Rotating pipe jaws on 5" multi-purpose vise

3" Clamp-on Vise

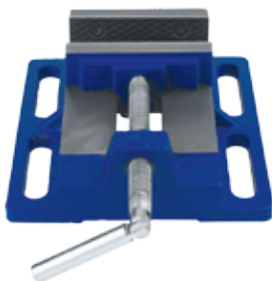


226303ZR

Description	Pack Qty	Item #
3" Clamp-on Vise	1	226303ZR

- Easy clamp-on feature for mobility
- 2" table thickness capacity
- Anvil shaping horn incorporated
- Integrated pipe jaws

4" Drill Press Vise



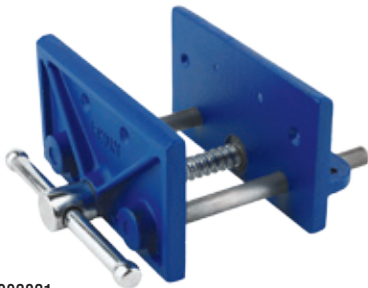
226340

Description	Pack Qty	Item #
4" Drill Press Vise	1	226340

- Slotted base for easy installation and positioning
- Textured jaws for secure gripping

VICES

6-1/2" Woodworkers Vise



226361

Description	Pack Qty	Item #
6-1/2" Woodworkers Vise	1	226361

- Toe-in toward top of jaws helps ensure firm grip on work piece
- Square body seating for easy under-bench mounting
- Provision for installing wooden cheeks to protect work pieces

4-1/2" Bench Vise



2026303

Description	Pack Qty	Item #
4-1/2" Bench Vise	1	2026303

- Fused steel handle
- Anvil incorporated
- Integrated pipe jaws