



Reciprocating Air Compressors

Engine Driven Wheelbarrow SS3

Owner's Manual with Parts List

- EN** Owner's Manual with Parts List
- ES** Manual del propietario con la lista de piezas
- FR** Manuel du propriétaire avec liste des pièces



Save These Instructions



CONTENTS

CONSUMER INFORMATION SHEET	3	MAINTENANCE	10
INSTALLATION, OPERATION, MAINTENANCE & TROUBLESHOOTING ISSUES	3	FILTER REPLACEMENT	10
MISSING PARTS.....	3	COMPRESSOR PUMP OIL CHANGE	10
SHIPPING DAMAGE OR DEFECTIVE PARTS.....	3	TROUBLESHOOTING	11
ABOUT THIS MANUAL	4	SS3 BARE COMPRESSOR PUMP ASSEMBLY	12
SAFETY INFORMATION	4	MODEL SS3 BARE COMPRESSOR PUMP	12
EXPLANATION OF SAFETY SIGNAL WORDS.....	4	SS3 COMPRESSOR PARTS LIST	14
GENERAL SAFETY PRECAUTIONS	4	KITS & ACCESSORIES	16
ADDITIONAL GENERAL SAFETY PRECAUTIONS.....	5	EXTENDED WARRANTY KIT	16
GENERAL INFORMATION	5	INGERSOLL-RAND SYNTHETIC COMPRESSOR	16
INSTALLATION	6	LUBRICANT.....	16
SELECTING A LOCATION	6	AIR FILTER ELEMENT.....	16
GENERAL	6	STEP SAVER KITS.....	16
TEMPERATURE.....	6	CRANKCASE HEATER KIT	16
HUMID AREAS	6	MULTI-PURPOSE AIR HOSES	16
NOISE CONSIDERATIONS	6	ENGINE PARTS.....	16
INSTALLING THE ISOLATOR PADS	6	WARRANTY AND LIMITATION OF LIABILITY	17
INSTALLING THE INLET AIR FILTER.....	6	WARRANTY.....	17
INSTALLING DISCHARGE PIPING	6	LIMITATION OF LIABILITY	17
SYNTHETIC COMPRESSOR LUBRICANT MATERIAL COMPATIBILITY LIST	7		
GENERAL REQUIREMENTS	7		
CONDENSATE DISCHARGE PIPING	7		
COMPRESSOR LUBRICATION.....	8		
SYNTHETIC COMPRESSOR LUBRICANT	8		
ALTERNATE LUBRICANTS.....	8		
COMPRESSOR PUMP FILLING PROCEDURES.....	8		
ENGINE LUBRICATION AND FUEL.....	8		
OPERATION	9		
GENERAL.....	9		
NORMAL START-UP	9		
START-UP.....	9		
SHUTDOWN	9		

CONSUMER INFORMATION SHEET

Thank you for purchasing an **Ingersoll Rand** product. We trust that it will offer you many years of trouble-free service. If you encounter any problems or need assistance, please refer to the information provided in this sheet.

■ INSTALLATION, OPERATION, MAINTENANCE & TROUBLESHOOTING ISSUES

Read the owner's manual first. Often this will clarify your understanding. If you still have problems, please call the toll-free hotline.

■ MISSING PARTS

If parts are missing call the toll-free hotline. Have the serial number, part number, model number and parts list (with missing parts circled) handy when you call. Your parts will be shipped immediately.

■ SHIPPING DAMAGE OR DEFECTIVE PARTS

Each new product is inspected and in good condition prior to shipment from the factory. If your product was received in a condition that was less than satisfactory, or if you discover a defect that require service or adjustment by qualified personnel, please contact your nearest authorized service representative.

DO NOT RETURN THE PRODUCT TO YOUR RETAILER!

PARTS & SERVICE HOTLINE:

1-800-AIR-SERV

(1-800-247-7378)

ABOUT THIS MANUAL

This manual provides safe and reliable instructions for the installation, operation and maintenance of your **Ingersoll Rand** air compressor. Carefully read this manual before attempting to operate or perform any maintenance. If you are uncertain about any of the instructions or procedures provided in this manual, contact **Ingersoll Rand**. We recommend you retain this manual, and all publications provided with your air compressor, in a location which is accessible to all personnel who operate and service your compressed air equipment.

SAFETY INFORMATION

■ EXPLANATION OF SAFETY SIGNAL WORDS

Throughout this manual there are steps and procedures, which if not followed may result in a hazard. The following signal words are used to identify the level of potential hazard.

DANGER

Indicates an imminently hazardous situation, which if not avoided will result in death or serious injury.

WARNING

Indicates a potentially hazardous situation, which if not avoided could result in death or serious injury.

CAUTION

Indicates a potentially hazardous situation, which if not avoided may result in minor or moderate injury or property damage.

NOTICE

Indicates information or a company policy that relates directly or indirectly to the safety of personnel or protection of property.

■ GENERAL SAFETY PRECAUTIONS

DANGER

INTAKE AIR

Can contain carbon monoxide or other contaminants. Will cause serious injury or death. Ingersoll Rand air compressors are not designed, intended or approved for breathing air. Compressed air should not be used for breathing air applications unless treated in accordance with all applicable codes and regulations.

WARNING

HAZARDOUS VOLTAGE

Can cause serious injury or death. Disconnect power and bleed pressure from the tank before servicing. Lockout/Tagout machine. Compressor must be connected to properly grounded circuit. See grounding instructions in manual. Do not operate compressor in wet conditions. Store indoors.

WARNING

MOVING PARTS

Can cause serious injury. Do not operate with guards removed. Machine may start automatically. Disconnect power before servicing. Lockout/Tagout machine.

WARNING

HOT SURFACES.

Can cause serious injury. Do not touch. Allow to cool before servicing. Do not touch hot compressor or tubing.

WARNING

HIGH PRESSURE AIR.

Bypassing, modifying or removing safety/relief valves can cause serious injury or death. Do not bypass, modify or remove safety/relief valves. Do not direct air stream at body. Rusted tanks can cause explosion and severe injury or death. Drain tank daily or after each use. Drain valve located at bottom of tank.

CAUTION

RISK OF BURSTING

Use only suitable air handling parts acceptable for pressure of not less than the maximum allowable working pressure of the machine.

SAFETY INFORMATION

■ ADDITIONAL GENERAL SAFETY PRECAUTIONS

- Compressor must be operated in well-ventilated area.
- Do not directly inhale compressed air.
- Do not over pressurize the receiver tank or similar vessel beyond design limits.
- Do not use a receiver tank or similar vessels that fail to meet the design requirements of the compressor. For additional information contact the **Ingersoll Rand** factory or the nearest service provider.
- Do not drill into, weld or otherwise alter the receiver tank or similar vessels.
- Do not remove, adjust, bypass, change, modify or make substitutions for safety/relief valves or other pressure control related devices.
- Do not use air tools or attachments without first determining the maximum pressure recommended for that equipment.
- Do not point air nozzles toward anyone.
- Do not touch the compressor pump, engine or discharge tubing during or shortly after operation. These parts become hot.
- Wear eye protection when operating or servicing compressor.
- Do not operate where flammable or explosive liquids or vapors such as gasoline, natural gas and solvents are present.
- Do not operate with guards or shields removed, damaged or broken.
- Do not remove, paint over or deface decals. Replace any missing decals.

GENERAL INFORMATION

The air compressor unit is suitable for operating a variety of air tools. Depending on your application, the following accessories may be required:

- An air line filter for removal of moisture and oil vapor in compressed air.
- An in-line lubricator to prolong the life of air tools.

- Separate air transformers which combine the functions of air regulation and/or moisture and dirt removal.

Contact your nearest authorized dealer for more information on air tools and accessories for your application.

INSTALLATION

■ SELECTING A LOCATION

■ GENERAL

Select a clean, dry, well-lighted area with plenty of ventilation proper cooling air flow and accessibility. Locate the unit at least 12 inches (30 cm) from walls. Ensure that the unit is as level as possible to avoid fuel spillage.

■ TEMPERATURE

Ideal operating temperatures are between 40 °F to 100 °F (4 °C to 37.8 °C). In lower temperatures, you must protect safety/relief valves and drain valves from freezing.

■ HUMID AREAS

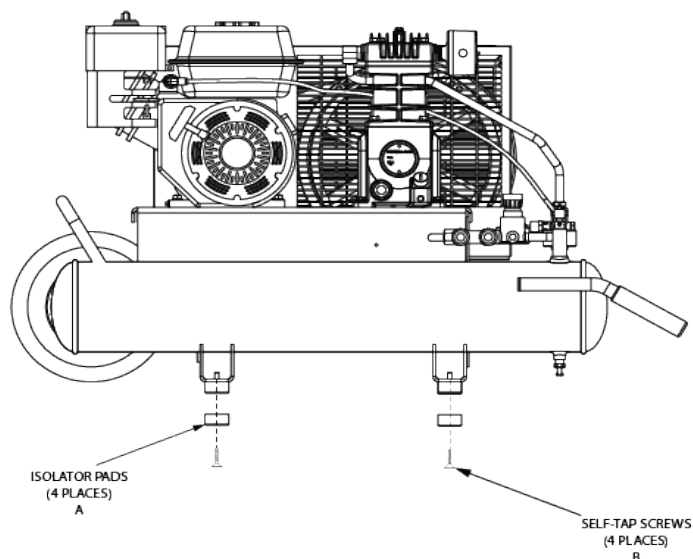
In frequently humid areas, moisture may form in the bare pump and produce sludge in the lubricant, causing running parts to wear out prematurely. Excessive moisture is especially likely to occur if the unit is located in an unheated area that is subjected to large temperature changes. Two signs of excessive humidity are external condensation on the bare pump when it cools down and a “milky” appearance in petroleum compressor lubricant. You may be able to prevent moisture from forming in the bare pump by increasing ventilation or operating for longer intervals.

■ NOISE CONSIDERATIONS

Consult local officials for information regarding acceptable noise levels in your area. To reduce excessive noise, use vibration mounts or intake silencers, relocate the unit or baffle walls. Consult your dealer for assistance.

■ INSTALLING THE ISOLATOR PADS

1. Install isolator pads (A) on all four feet with self-tap screws (B).
2. Hand tighten screws.



■ INSTALLING THE INLET AIR FILTER

⚠ CAUTION

Do not operate without air inlet filter.

Install the air inlet filter at the inlet connection at the bare pump. If heavy duty filtration is required, contact your dealer for information.

■ INSTALLING DISCHARGE PIPING

If it is necessary to install air discharge piping or condensate discharge piping, adhere to the following general guidelines. Contact your dealer for more information.

⚠ WARNING

Do not use plastic pipe, rubber hose or lead-tin soldered joints anywhere in the compressed air system.

⚠ WARNING

If an after-cooler, check valve, block valve, or any other restriction is added to the compressor discharge, install a properly-sized ASME approved safety/relief valve between the compressor discharge and the restriction.

⚠ CAUTION

If you will be using Ingersoll Rand Synthetic Lubricant all downstream piping material and system components must be compatible. Refer to the following compatibility list. If there are incompatible materials present in your system, or there are materials not included in the list, contact your dealer.

INSTALLATION

■ SYNTHETIC COMPRESSOR LUBRICANT MATERIAL COMPATIBILITY LIST

SUITABLE	NOT RECOMMENDED
• Viton®	• Neoprene
• Teflon®	• Natural Rubber
• Epoxy (Glass Filled)	• SBR Rubber
• Oil Resistant Alkyd	• Acrylic Paint
• Fluorosilicone	• Lacquer
• Fluorocarbon	• Varnish
• Polysulfide	• Polystyrene
• 2-Component Urethane	• PVC
• Nylon	• ABS
• Delrin®	• Polycarbonate
• Celcon®	• Cellulose Acetate
• High Nitrile Rubber (Buna N. NBR more than 36% Acrylonitrile)	• Low Nitrile Rubber (Buna N. NBR less than 36% Acrylonitrile)
• Polyurethane	• EPDM
• Polyethylene	• Ethylene Vinyl Acetate
• Epichlorohydrin	• Latex
• Polyacrylate	• EPR
• Melamine	• Acrylics
• Polypropylene	• Phenoxy
• Baked Phenolics	• Polysulfones
• Epoxy	• Styrene Acrylonitrile (San)
• Modified Alkyds (® indicates trademark of DuPont Corporation).	• Butyl.

■ GENERAL REQUIREMENTS

The piping, fittings, air receiver tank, etc. must be certified safe for at least the maximum working pressure of the unit. Use hard-welded or threaded steel or copper pipes and cast iron fittings and hoses that are certified safe for the unit's discharge pressure and temperature. **DO NOT USE PVC PLASTIC.** Use pipe thread sealant on all threads, and make up joints tightly to prevent air leaks.

■ CONDENSATE DISCHARGE PIPING

If installing a condensate discharge line, the piping must be at least one size larger than the connection, as short and direct as possible, secured tightly and routed to a suitable drain point or waste container. Condensate must be disposed of in accordance with local, state, and federal laws and regulations.

NOTICE

All compressed air systems generate condensate, which accumulates in any drain point (e.g. tanks, filters, drip legs, after-coolers, dryers). This condensate contains lubricating oil and/or substances, which may be regulated and must be disposed of in accordance with local, state, and federal laws and regulations.

INSTALLATION

■ COMPRESSOR LUBRICATION



Do not operate without lubricant or with inadequate lubricant. Ingersoll Rand is not responsible for compressor failure caused by inadequate lubrication.

■ SYNTHETIC COMPRESSOR LUBRICANT

Ingersoll Rand recommends All Season Select synthetic lubricant from start-up. See the WARRANTY section for extended warranty information.

■ ALTERNATE LUBRICANTS

You may use XL-300 or a comparable petroleum-based lubricant that is premium quality, does not contain detergents, contains only anti-rust, anti-oxidation, and anti-foam agents as additives, has a flashpoint of 440°F (227°C) or higher, and has an auto-ignition point of 650°F (343°C) or higher.

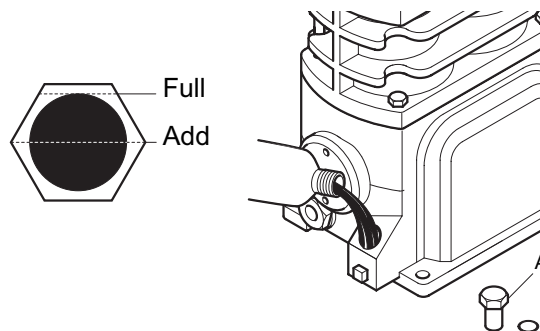
See the petroleum lubricant viscosity table below. The table is intended as a general guide only. Heavy duty operating conditions require heavier viscosities. Refer specific operating conditions to **Ingersoll Rand** for recommendations.

Temperature Around Compressor		Viscosity @ 100°F (37.8°C)		Viscosity Grade	
°F	°C	SUS	Centistokes	ISO	SAE
< 40	< 4.4	150	32	32	10
40-80	4.4-26.7	500	110	100	30
80-125	26.7-51.0	750	165	150	40

If you use a petroleum-based compressor lubricant at start-up and decide to convert to All Season Select later on, the pump must be decarbonized and flushed before conversion. Contact **Ingersoll Rand** for more information.

■ COMPRESSOR PUMP FILLING PROCEDURES

1. Unscrew and remove the oil fill plug (A).
2. Slowly fill the crankcase with lubricant until the lubricant reaches the bottom thread of the oil fill opening and the top of the sight glass.
Note: SS3 Crankcase capacity is one (1) pint (0.5 liters).
3. Replace the oil fill plug **HAND TIGHT ONLY**.



■ ENGINE LUBRICATION AND FUEL



Do not operate without lubricant or with inadequate lubricant. Ingersoll Rand is not responsible for engine failure caused by inadequate lubrication.

Refer to the engine operator's manual provided with the unit for engine lubrication and fuel requirements.

OPERATION

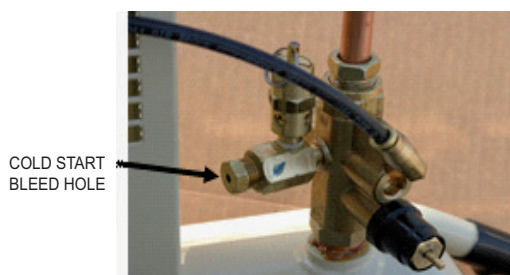
■ GENERAL

The air compressor is designed for 100% continuous duty operation with the use of **Ingersoll Rand** all season select synthetic lubricant and 60% continuous duty operation with the use of petroleum lubricant. In other words, synthetic lubricant allows the compressor to pump continuously without cycling. Petroleum lubricant limits the compressor to a maximum of 36 minutes of pumping time per hour. The compressor should not cycle more than 10 times per hour.

■ NORMAL START-UP

■ START-UP

1. Turn regulator adjusting knob counter-clockwise until fully closed.
2. Attach hose and accessory.
3. This compressor package is equipped with an automatic unloader valve assembly eliminating the need to manually toggle the valve for engine starting. In addition, the automatic unloader has a "Cold Start" feature shown in the illustration below. This valve bleeds air from the compressor discharge airstream during engine starting, reducing engine starting torque requirements. These valves are especially helpful on oil-lubed compressor pumps that may be subject to low temperatures. When the discharge line is at zero pressure, the Cold Start valve is open. As the engine starts, air flows out of the Cold Start bleed hole into the atmosphere; as discharge pressure increases, the bleed hole closes and stays closed until the end of the pump-up cycle. During normal operation a negligible air flow may be felt at the Cold Start bleed hole. This is not cause for concern.



4. Follow instructions in engine owner's manual for starting and running engine.
5. Using the tank pressure gauge for reference, allow tank pressure to build to maximum pressure.

⚠ CAUTION

Unusual noise or vibration indicates a problem. Do not continue to operate until you identify and correct the source of the problem. IF EMERGENCY CONDITIONS ARE ENCOUNTERED, SHUT-OFF IMMEDIATELY.

NOTICE

When the tank reaches cut-out pressure, the compressor stops pumping but the engine continues to run. When the receiver tank pressure drops below the factory pre-set minimum, the compressor resumes pumping and the tank builds to cut-out pressure.

6. Turn regulator adjusting knob clockwise to obtain desired pressure, indicated by the gauge mounted on the regulator.

■ SHUTDOWN

1. Follow instructions in engine owner's manual for shutting off engine.
2. Turn regulator adjusting knob counter-clockwise until fully closed.
3. Remove accessory.
4. Turn regulator adjusting knob clockwise slowly to allow air to escape from tank. When the tank pressure gauge indicates 20 psig, turn regulator adjusting knob counter-clockwise until fully closed.
5. Open manual drain valve slowly to drain moisture from tank and bleed remaining air.
6. Close manual drain valve.
7. Turn fuel shut-off valve to "off" position before transporting unit.

MAINTENANCE

! WARNING

Disconnect wire from engine spark plug and release air pressure from the tank before performing maintenance.

NOTICE

All compressed air systems contain maintenance parts (e.g. lubricating oil, filters, separators) which are periodically replaced. These used parts may be, or may contain, substances that are regulated and must be disposed of in accordance with local, state, and federal laws and regulations.

NOTICE

Take note of the positions and locations of parts during disassembly to make reassembly easier. The assembly sequences and parts illustrated may differ for your particular unit.

NOTICE

Follow engine owner's manual for engine maintenance schedules and procedures.

NOTICE

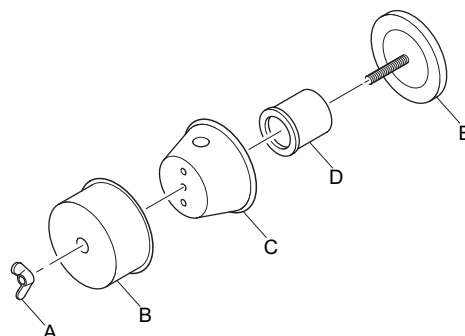
Any service operations not included in this section should be performed by an authorized service representatives.

■ FILTER REPLACEMENT

1. Unscrew and remove the wing-nut (A).
2. Remove the filter cover (B), baffle (C) and element (D) from the base (E).
3. Install a new element and reassemble the filter assembly.

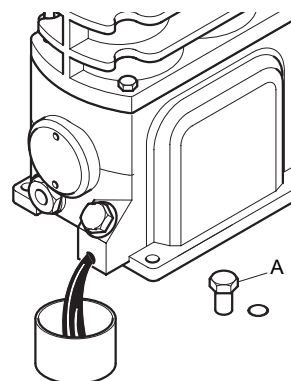
NOTICE

The air intake holes in the baffle and cover must be staggered 180°. When reinstalling the assembly at the inlet connection, ensure the intake hole in the cover is on the bottom to minimize the entry of foreign matter from the air.



■ COMPRESSOR PUMP OIL CHANGE

1. Remove the oil drain plug (A) and allow the lubricant to drain into a suitable container.
2. Replace the oil drain plug.
3. Follow the filling procedures in OPERATION section.



PERIOD	MAINTENANCE
Daily or before each operation	Check lubricant level. Fill as needed.
	Drain receiver tank condensate. Open the manual drain valve and collect, dispose condensate accordingly.
	Check for unusual noise and vibration.
	Ensure beltguards and covers are securely placed.
Weekly/Monthly	Inspect air filter element. Clean/ Replace if necessary.
	Inspect for air leaks. Squirt soapy water around joints during compressor operation and watch for bubbles.
	Check tightness of screws and bolts. Tighten as needed.
Petroleum - 3/500* Synthetic - 12/2000*	Clean exterior.
	Change petroleum lubricant while crankcase is warm.
	Change synthetic lubricant while crankcase is warm.
	Replace filter element.

* - indicates months/operating hours, whichever occurs first

TROUBLESHOOTING

This section provides a list of the more frequently encountered malfunctions, their causes and corrective actions. Some corrective actions can be performed by the operator or maintenance personnel, and others may require the assistance of a qualified **Ingersoll Rand** technician or your dealer.

NOTICE

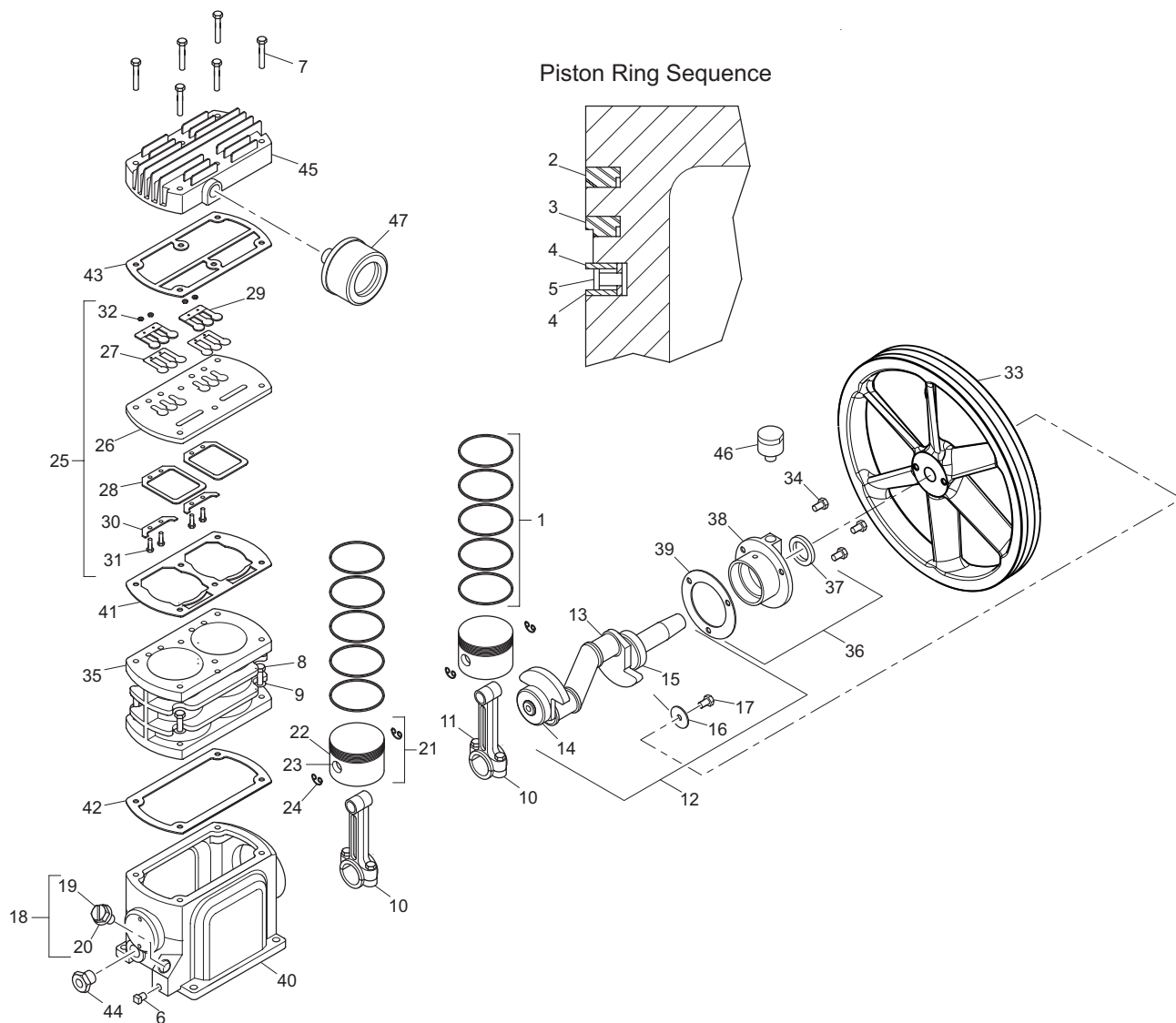
Please see engine owner's manual for additional engine troubleshooting.

PROBLEM	CHECK POINT	PROBLEM	CHECK POINT
Abnormal piston, ring or cylinder wear	4, 7, 8, 14, 19, 26	High oil consumption	1, 4, 8, 13, 14, 15, 17, 22
Air delivery drops	1, 5, 6, 11, 13, 14, 20	Knocking or rattling	2, 11, 12, 14, 15, 16
Unit does not come up to speed	2, 6, 11, 16	Moisture in crankcase or "milky" appearance in petroleum lubricant or rusting in cylinders	8, 9
Unit is slow to come up to speed	6, 18, 21	Oil in discharge air (oil pumping)	4, 8, 13, 14, 22, 23
Unit runs excessively hot	3, 10, 11	Oil leakage from shaft seal	17
Excessive noise during operation	2, 6, 7, 11, 12, 16, 18	Safety/relief valve "pops"	1, 11, 20
Excessive starting and stopping	5, 18, 23		

CHECK POINTS	POSSIBLE CAUSE	POSSIBLE SOLUTION
1	Clogged or dirty inlet and/or discharge line filter.	Clean or replace.
2	Loose beltwheel or engine pulley, excessive end play in engine shaft or loose drive belts.	Check beltwheel, engine pulley, crankshaft, drive belt tension and alignment. Repair or replace as required.
3	Inadequate ventilation around beltwheel.	Relocate unit for better air flow.
4	Lubricant viscosity too low.	Drain existing lubricant and refill with proper lubricant.
5	Air leaks in air discharge piping.	Check tubing and connections.
6	Lubricant viscosity too high.	Drain existing lubricant and refill with proper lubricant.
7	Lubricant level too low	Add lubricant to crankcase to proper level.
8	Detergent type lubricant being used.	Drain existing lubricant and refill with proper lubricant.
9	Extremely light duty cycles. Unit located in damp or humid location.	Run unit for longer duty cycles. Relocate unit.
10	Drive belts too tight or misaligned.	Adjust belts to proper tension and alignment.
11	Compressor valves leaky, broken, carbonized or loose.	Inspect valves. Clean or replace as required.
12	Carbon build-up on top of piston(s).	Clean piston(s). Repair or replace as required.
13	Piston rings damaged or worn (broken, rough or scratched). Excessive end gap or side clearance. Piston rings not seated, are stuck in grooves or end gaps not staggered.	Adjust piston rings.
14	Cylinder(s) or piston(s) scratched, worn or scored.	Repair or replace as required.
15	Connecting rod, piston pin or crank pin bearings worn or scored.	Inspect all. Repair or replace as required.
16	Defective ball bearing on crankshaft or motor shaft.	Inspect bearings and replace crankshaft assembly if required.
17	Crankshaft seal worn or crankshaft scored.	Replace seal or crankshaft assembly.
18	Leaking check valve or check valve seat blown down.	Replace check valve.
19	Extremely dusty atmosphere.	Install remote air inlet piping and route to source of cleaner air. Install more effective filtration.
20	Defective safety/relief valve.	Replace safety/relief valve.
21	Ambient temperature too low.	Relocate to warmer environment. Convert to synthetic lubricant.
22	Worn cylinder finish.	Deglaze cylinder with 180 grit flex-hone.
23	Excessive condensate in receiver tank.	Drain receiver tank with manual drain valve.

SS3 BARE COMPRESSOR PUMP ASSEMBLY

■ **MODEL SS3 BARE COMPRESSOR PUMP**



NOTE:

- Item 12 includes Item 13, 14, 15, 16 and 17
- Item 18 includes Item 19 and 20
- Item 21 includes Item 22, 23 and 24
- Item 25 includes Item 26, 27, 28, 29, 30, 31 and 32
- Item 36 includes Item 37, 38 and 39

SS3 BARE COMPRESSOR PUMP ASSEMBLY

Item	CCN	DESCRIPTION	Qty.
REF.	18002378	PUMP, BARE COMPRESSOR	-
1†	32307092	SET, PISTON RING	2
2	NSS	• RING COMPRESSOR	1
3	NSS	• RING SPACER	1
4	NSS	• RING, OIL CONTROL SPACER	2
5	NSS	• RING, OIL CONTROL	1
6	95033585	PLUG, OIL DRAIN	1
7	96715784	CAPSCREW (HEAD BOLT)	6
8	96716113	CAPSCREW	4
9	96728316	WASHER, SPRING	4
10	97330427	ASSEMBLY, CONNECTING ROD	2
11	96702246	• CAPSCREW	2
12	97338081	ASSEMBLY, CRANKSHAFT-SERVICE	1
13	NSS	• CRANKSHAFT	1
14	NSS	• BEARING, MAIN	1
15	NSS	• BEARING, BALL	1
16	54375977	• WASHER	1
17	54440045	• CAPSCREW, LEFT HAND THREAD	1
18	49812050	ASSEMBLY, OIL FILL PLUG	1
19	NSS	• PLUG, OIL FILL	1
20	95024394	• O-RING, OIL FILL PLUG	1
21	97330468	ASSEMBLY, PISTON & PIN	2
22	NSS	• PISTON	1
23	NSS	• PIN, PISTON	1

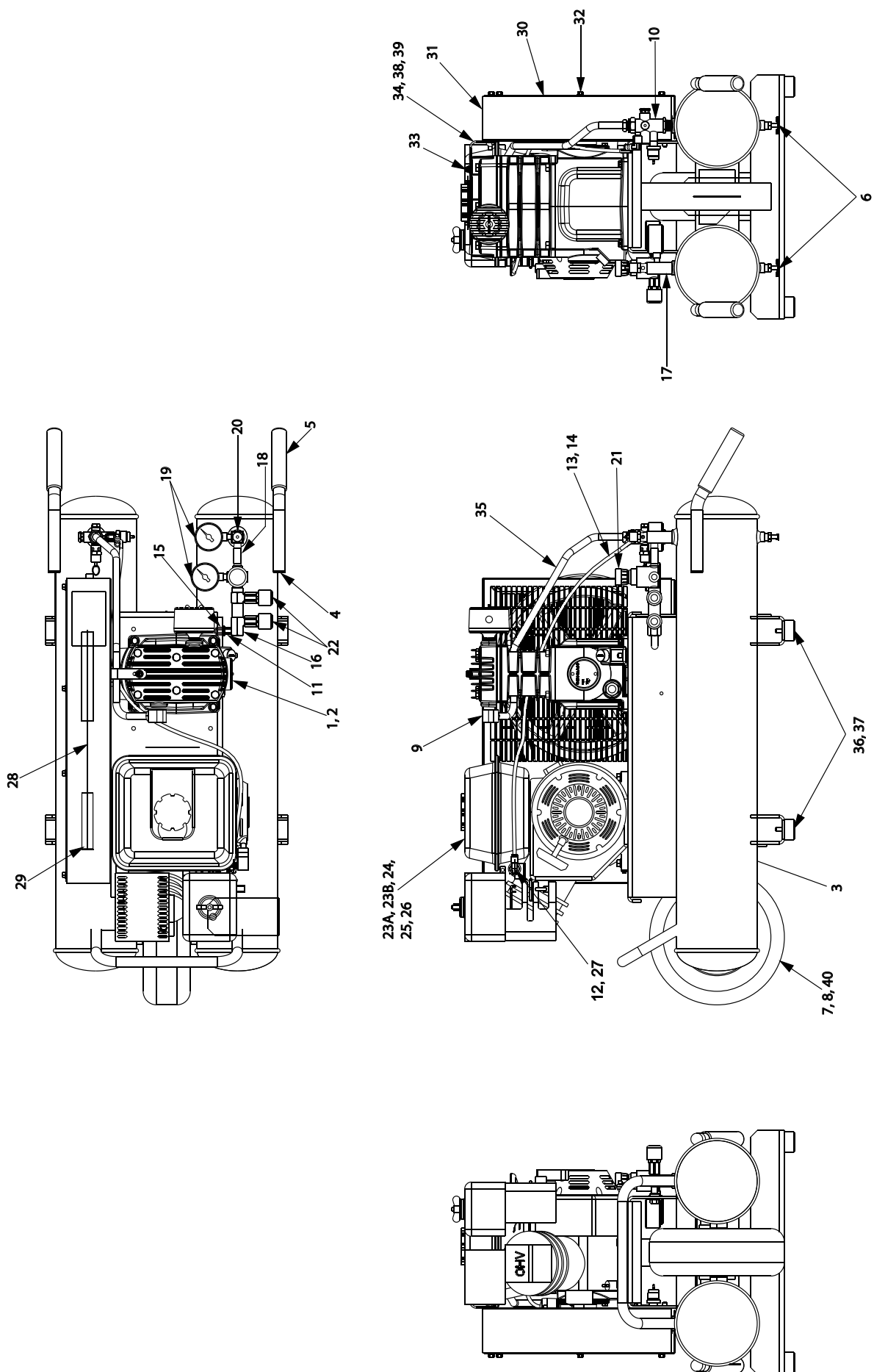
Item	CCN	DESCRIPTION	Qty.
24	NSS	• RING, LOCK	2
25**	97330484	ASSEMBLY, VALVE	1
26	NSS	• PLATE, VALVE	1
27	NSS	• VALVE, DISCHARGE	2
28	NSS	• VALVE, INLET	2
29	NSS	• STOP, DISCHARGE	2
30	NSS	• RETAINER, INLET	2
31	NSS	• SCREW, HEX HEAD	4
32	NSS	• NUT	4
33	24655631	BELT WHEEL	1
34	97330500	CAPSCREW	3
35	97330625	CYLINDER	1
36	97338073	ASSEMBLY, END COVER-SERVICE	1
37	32204521	• SEAL, SHAFT	1
38	NSS	• COVER, END	1
39	97331227	• GASKET, END COVER	1
40	97330641	FRAME, COMPRESSOR	1
41**	97330658	GASKET, VALVE PLATE	1
42†	97330666	GASKET, CYLINDER	1
43**	54571609	GASKET, HEAD	1
44	97330682	GLASS, SIGHT	1
45	97330690	HEAD	1
46	70243936	ASSEMBLY, VENT	1
47	70243399	FILTER, AIR	1
NI	70243712	• ELEMENT, FILTER	1

NSS NOT SOLD SEPERATELY

** AVAILABLE INDIVIDUALLY OR IN VALVE KIT 97338107

† AVAILABLE INDIVIDUALLY OR IN PISTON RING KIT 97338115

SS3 COMPRESSOR PARTS LIST



SS3 COMPRESSOR PARTS LIST

Item	CCN	DESCRIPTION	Qty.	Item	CCN	DESCRIPTION	Qty.
1	18002378	PUMP, BARE COMPRESSOR	1	21	37992849	PRESSURE REGULATOR	1
2	56290794	SCREW	4	22	32238354	COUPLER	2
3	22866552	RECEIVER TANK	1	23A	97339451	ENGINE (HONDA)	1
4	54394036	CAP PLUG	2	23B	47617263001	ENGINE (KOHLER)	1
5	97171060	HANDLE GRIP	2	24	58879461	CAPSCREW	4
6	32027120	MANUAL DRAIN VALVE	2	25	54391545	NUT	4
7	54389572	AXLE	1	26	95094389	KEY	1
8	54506001	WHEEL	1	27	47619810001	ACTUATOR, SMALL ENGINE SLOW-DOWN	1
9	95040184	ELBOW, TUBE 1/2X3/8	1	28	32205601	BELT	1
10	47600594001	VALVE-UNLOADER ASSEMBLY	1	29	22921860	SHEAVE	1
11	18007138	STUD, MANIFOLD SS3 WHEELBAR	1	30	54459508	BELTGUARD, FRONT	1
12	39155577	ELBOW	2	31	54459516	BELTGUARD, REAR	1
13	97265912	UNLOADER TUBE	1	32	97173595	CAPSCREW	14
14	97182240	NYLON TUBE INSERT	2	33	56280159	SCREW	1
15	39128566	NUT	1	34	54640032	BRACE, BELTGUARD	1
16	18007112	BODY, MANIFOLD Assembly	1	35	49812324	PUMP TO UNLOADER TUBE	1
17	18007120	FITTING, MANIFOLD Assembly	2	36	97175343	ISOLATOR PAD	4
18	95871463	NIPPLE	1	37	97175350	SCREW	4
19	54494075	PRESSURE GAUGE	2	38	32175564	SCREW	1
20	97010094	SAFETY VALVE	1	39	39128541	NUT	1
				40	54657218	NUT	1

KITS & ACCESSORIES

■ EXTENDED WARRANTY KIT

Each extended warranty kit contains air filters and all season select lubricant sufficient for two years operation.

PART NO	DESCRIPTION
47623376001	KIT, EXTENDED WARRANTY (KOHLER)
97339501	KIT, EXTENDED WARRANTY (HONDA)

■ INGERSOLL-RAND SYNTHETIC COMPRESSOR LUBRICANT

PART NO	DESCRIPTION
97338131	LUBRICANT, .5L, BOTTLE
38436721	LUBRICANT, 1L, BOTTLE

■ AIR FILTER ELEMENT

PART NO	DESCRIPTION
70243712	AIR FILTER ELEMENT

■ STEP SAVER KITS

Step Saver Kits provide all of the parts required to perform common repair tasks such as piston ring replacement or valve replacement.

PART NO	DESCRIPTION	CONTENTS
97338107	KIT, VALVE/GASKET	Valve wearing parts and head gaskets that are destroyed in replacing valve parts.
97338115	KIT, RING/GASKET	Complete set of piston rings, a crankshaft seal, and gaskets that are destroyed in breaking the unit down to replace the rings

■ CRANKCASE HEATER KIT

Crankcase heaters are recommended when ambient temperatures are consistently below 32° F (0°C). An easy-to-install external crankcase heater kit is intended for aftermarket use.

PART NO	DESCRIPTION
97330385	KIT, CRANKCASE HEATER

■ MULTI-PURPOSE AIR HOSES

These air hose assemblies are heavy duty, light weight hoses designed for 300 PSIG working pressure.

PART NO	DESCRIPTION
32323750	HOSE, AIR 3/8" x 25' (1/4" MALE NPT)
32323768	HOSE, AIR 3/8" x 50' (1/4" MALE NPT)
32323776	HOSE, AIR 3/8" x 100' (1/4" MALE NPT)

■ ENGINE PARTS

PART NO	DESCRIPTION
32498552	OIL, 10W30 ENGINE - QUART
47629343001	COMPLETE, FILTER 5.5HP (KOHLER)
54405071	ELEMENT, ENGINE AIR FILTER (HONDA)

WARRANTY AND LIMITATION OF LIABILITY

■ WARRANTY

Ingersoll Rand company warrants that the equipment manufactured by it and delivered hereunder shall be free of defects in material and workmanship for a period of twelve (12) months from the date of placing the equipment in operation or eighteen (18) months from the date of shipment, whichever shall occur first. The foregoing warranty period shall apply to all equipment, except the following:

1. Compressors purchased with an accompanying Extended Warranty Kit that are operated solely on the included **Ingersoll Rand** synthetic lubricant will have their bare compressor warranted for the earlier of twenty-four (24) months from the date of initial operation or thirty (30) months from the date of shipment..
2. Replacement parts will be warranted for six (6) months from the date of shipment.

Should any failure to confirm this warranty be reported in writing to the company within said period, the company shall, at its option, correct such non-conformity by suitable repair to such equipment, or furnish a replacement part F.O.B point of shipment, provided the purchaser has installed, maintained and operated such equipment in accordance with good industry practices and has complied with specific recommendations of the company. Accessories or equipment furnished by the company, but manufactured by others, shall carry whatever warranty the manufacturer conveyed to **Ingersoll Rand** Company and which can be passed on to the purchaser. The company shall not be liable for any repairs, replacements, or adjustments to the equipment or any costs of labor performed by the purchaser without company's prior written approval.

The company makes no performance warranty unless specifically stated within its proposal and the effects of corrosion, erosion and normal wear and tear are specifically excluded from the company's warranty. In the event performance warranties are expressly included, the company's obligation shall be to correct in the manner and for the period of time provided above.

THE COMPANY MAKES NO OTHER WARRANTY OF REPRESENTATION OF ANY KIND WHATSOEVER, EXPRESSED OR IMPLIED, EXCEPT THAT OF TITLE, AND ALL IMPLIED WARRANTIES OF MERCHANTABILITY AND FITNESS FOR A PARTICULAR PURPOSE, AND HEREBY DISCLAIMED.

Correction by the company of non-conformities, whether patent or latent, in the manner and for the period of time provided above, shall constitute fulfillment of all liabilities of the company and its distributors for such non-conformities with respect to or arising out of such equipment.

■ LIMITATION OF LIABILITY

THE REMEDIES OF THE PURCHASER SET FORTH HEREIN ARE EXCLUSIVE, AND THE TOTAL LIABILITY OF THE COMPANY, ITS DISTRIBUTORS AND SUPPLIERS WITH RESPECT TO CONTRACT OR THE EQUIPMENT AND SERVICES FURNISHED, IN CONNECTION WITH THE PERFORMANCE OR BREACH THEREOF, OR FROM THE MANUFACTURE, SALE, DELIVERY, INSTALLATION, REPAIR OR TECHNICAL DIRECTION COVERED BY OR FURNISHED UNDER CONTRACT, WHETHER BASED ON CONTRACT, WARRANTY, NEGLIGENCE, INDEMNITY, STRICT LIABILITY OR OTHERWISE SHALL NOT EXCEED THE PURCHASE PRICE OF THE UNIT OF EQUIPMENT UPON WHICH SUCH LIABILITY IS BASED.

THE COMPANY, ITS DISTRIBUTORS AND ITS SUPPLIERS SHALL IN NO EVENT BE LIABLE TO THE PURCHASER, ANY SUCCESSORS IN INTEREST OR ANY BENEFICIARY OR ASSIGNEE OF THE CONTRACT FOR ANY CONSEQUENTIAL, INCIDENTAL, INDIRECT, SPECIAL OR PUNITIVE DAMAGES ARISING OUT OF THIS CONTRACT OR ANY BREACH THEREOF, OR ANY DEFECT IN, OR FAILURE OF, OR MALFUNCTION OF THE EQUIPMENT, WHETHER OR NOT BASED UPON LOSS OF USE, LOSS PROFITS OR REVENUE, INTEREST, LOST GOODWILL, WORK STOPPAGE, IMPAIRMENT OF THE OTHER GOODS, LOSS BY REASON OF SHUTDOWN OR NON-OPERATION, INCREASED FOR SERVICE INTERRUPTION WHETHER OR NOT SUCH LOSS OR DAMAGE IS BASED ON CONTRACT, WARRANTY, NEGLIGENCE, INDEMNITY, STRICT LIABILITY OR OTHERWISE.



A series of horizontal lines spanning the width of the page, providing a template for writing.



A series of horizontal lines spanning the width of the page, providing a template for writing.





Compresores de Aire Alternativos

Carretilla Accionado Por Motor SS3

Manual del propietario con la lista de piezas

 Manual del propietario con la lista de piezas



Guarde estas instrucciones

 **Ingersoll Rand®**

CONTENTS

HOJA DE INFORMACIÓN AL CONSUMIDOR	3	FUNCIONAMIENTO	9
INSTALACIÓN, FUNCIONAMIENTO, MANTENIMIENTO Y RESOLUCIÓN DE POSIBLES PROBLEMAS.....	3	GENERALIDADES	9
PIEZAS FALTANTES.....	3	PUESTA EN MARCHA NORMAL.....	9
DAÑOS DURANTE EL TRANSPORTE O PIEZAS DEFECTUOSAS	3	PUESTA EN MARCHA.....	9
ACERCA DE ESTE MANUAL	4	APAGADO	9
INFORMACIÓN DE SEGURIDAD.....	4	MANTENIMIENTO	10
EXPLICACIÓN DE PALABRAS DE ADVERTENCIA DE SEGURIDAD	4	RECAMBIO DEL FILTRO	10
PRECAUCIONES DE SEGURIDAD GENERALES	4	CAMBIO DE ACEITE DE LA BOMBA DEL COMPRESOR	10
PRECAUCIONES ADICIONAL DE SEGURIDAD GENERALES	5	RESOLUCIÓN DE PROBLEMAS.....	11
INFORMACIÓN GENERAL	5	LISTA DE PIEZAS DEL CONJUNTO DE LA BOMBA DEL COMPRESOR SS3	13
INSTALACIÓN	6	BOMBA DEL COMPRESOR MODELO SS3.....	13
SELECCIÓN DE LA UBICACIÓN DEL COMPRESOR.....	6	LISTA DE PIEZAS DE LA BOMBA DEL COMPRESOR SS3	15
GENERALES	6	JUEGOS Y ACCESORIOS	17
TEMPERATURA.....	6	KIT DE GARANTÍA AMPLIADA.....	17
ÁREAS HÚMEDAS	6	LUBRICANTE SINTÉTICO INGERSOLL-RAND PARA EL COMPRESOR.....	17
CONSIDERACIONES SOBRE EL RUIDO	6	ELEMENTO DE FILTRO DE ALRE	17
INSTALACIÓN DE LAS ALMOHADILLAS AISLANTES.....	6	JUEGOS AHORRAPASOS	17
INSTALACIÓN DEL FILTRO DE ENTRADA DE AIRE.....	6	JUEGOS DE CALEFACTOR DEL CARTER.....	17
INSTALACIÓN DE TUBERÍA DE DESCARGA.....	6	CONDUCTOS DE ALRE PARA VARLOS USOS	17
LUBRICANTE SINTÉTICO PARA COMPRESORES LISTA DE COMPATIBILIDAD DE MATERIALES.....	7	PIEZAS DEL MOTOR.....	17
REQUISITOS GENERALES	7	GARANTÍA Y LIMITACIÓN DE RESPONSABILIDADES ...	18
TUBERÍA DE DESCARGA DE LÍQUIDO CONDENSADO	7	GARANTÍA	18
LUBRICACIÓN DEL COMPRESOR	8	LIMITACIÓN DE RESPONSABILIDADES	18
LUBRICANTE SINTÉTICO PARA EL COMPRESOR.....	8		
OTROS LUBRICANTES	8		
PROCEDIMIENTOS DE LLENADO DE LA BOMBA DEL COMPRESOR	8		
LUBRICACIÓN Y COMBUSTIBLE DEL MOTOR.....	8		

HOJA DE INFORMACIÓN AL CONSUMIDOR

Le agradecemos que haya adquirido este producto de **Ingersoll Rand**. Confiamos en que le ofrecerá numerosos años de servicio sin problemas. Si experimenta algún problema o necesita asistencia, consulte la información proporcionada en la hoja.

■ **INSTALACIÓN, FUNCIONAMIENTO, MANTENIMIENTO Y RESOLUCIÓN DE POSIBLES PROBLEMAS.**

Antes de utilizar el producto lea el manual del propietario. Tras haber leído el manual comprenderá mejor el funcionamiento del producto. Si continúa experimentando problemas, llame a la línea telefónica gratuita.

■ **PIEZAS FALTANTES**

Si falta alguna pieza, llame a la línea telefónica gratuita. Cuando llame, tenga a mano el número de serie, el número de pieza, el número de modelo y la lista de piezas (con las partes faltantes marcadas con un círculo). Le enviaremos las piezas inmediatamente.

■ **DAÑOS DURANTE EL TRANSPORTE O PIEZAS DEFECTUOSAS**

Todos los productos nuevos se inspeccionan y se comprueba que estén en buenas condiciones antes de ser enviados desde la fábrica. Si recibe su producto en condiciones no satisfactorias o si descubre un defecto que necesita ser reparado o ajustado por personal cualificado, póngase en contacto con el representante del servicio técnico autorizado más cercano.

**¡NO DEVUELVA EL PRODUCTO AL COMERCIO MINORISTA
EN DONDE LO HA ADQUIRIDO!**

LÍNEA DE ATENCIÓN GRATUITA PARA PIEZAS Y ASISTENCIA:

1-800-AIR-SERV

(1-800-247-7378)

ACERCA DE ESTE MANUAL

Este manual proporciona instrucciones seguras y fiables para la instalación, funcionamiento y mantenimiento de su compresor de aire **Ingersoll Rand**. Lea detenidamente este manual antes de intentar utilizar el compresor o realizar cualquier tarea de mantenimiento. Si tiene dudas sobre alguna de las instrucciones o procedimientos provistos en este manual, póngase en contacto con **Ingersoll Rand**. Le recomendamos que guarde este manual y todas las publicaciones proporcionadas con su compresor de aire en un lugar accesible para todo el personal que utiliza y realiza el mantenimiento a su equipo de aire comprimido.

INFORMACIÓN DE SEGURIDAD

■ EXPLICACIÓN DE PALABRAS DE ADVERTENCIA DE SEGURIDAD

En este manual se detallan procedimientos y pasos que, en caso de no seguirse, pueden provocar situaciones peligrosas. Las siguientes palabras de aviso identifican el nivel de riesgo potencial.

PELIGRO

Indica una situación de peligro inminente que, de no evitarse, producirá lesiones graves o mortales.

ADVERTENCIA

Indica una situación potencialmente peligrosa que, de no evitarse, podría producir lesiones graves o mortales.

PRECAUCIÓN

Indica una situación potencialmente peligrosa que, de no evitarse, podría producir lesiones leves o moderadas o daños materiales.

AVISO

Indica información o una política de la compañía que se relaciona directa o indirectamente con la seguridad del personal o la protección de la propiedad.

■ PRECAUCIONES DE SEGURIDAD GENERALES

PELIGRO

AIRE DE ADMISIÓN

Puede contener monóxido de carbono u otros contaminantes. Causará lesiones graves o la muerte. Los compresores de aire Ingersoll Rand no están diseñados, destinados o aprobados para respirar aire. No se debe usar el aire comprimido para aplicaciones de aire respirable, a menos que se trate de acuerdo con todas las normas y reglamentos aplicables.

ADVERTENCIA

VOLTAJE PELIGROSO

Puede causar lesiones graves o la muerte. Desconecte la energía y purgue la presión del tanque antes de hacer mantenimiento. Bloquee/etiquete la máquina. El compresor se debe conectar a un circuito debidamente conectado a tierra. Vea las instrucciones de conexión a tierra en el manual. No opere el compresor en condiciones húmedas. Almacene en interiores.

ADVERTENCIA

PARTES MÓVILES

Pueden causar lesiones graves. No opere la máquina si se ha retirado el protector. La máquina puede empezar a funcionar automáticamente. Desconecte la energía ante de hacer mantenimiento. Bloquee/etiquete la máquina.

ADVERTENCIA

SUPERFICIES CALIENTES

Pueden causar lesiones graves. No tocar. Deje enfriar antes de hacer mantenimiento. No toque el compresor o la tubería caliente.

ADVERTENCIA

AIRE DE ALTA PRESIÓN

La derivación, modificación o retiro de las válvulas de seguridad/alivio puede causar lesiones graves o la muerte. No derive, modifique o retire las válvulas de seguridad/desahogo. No apunte el flujo de aire a las personas. Los tanques oxidados pueden causar una explosión y lesiones graves o la muerte. Vacíe el tanques diariamente o después cada uso. Válvula de drenaje ubicada al fondo del tanque.

PRECAUCIÓN

RIESGO DE EXPLOSIÓN

Utilice solamente piezas de manipulación de aire adecuadas que sean aceptables para presiones no inferiores a la presión máxima de trabajo admisible de la máquina.

INFORMACIÓN DE SEGURIDAD

■ PRECAUCIONES ADICIONAL DE SEGURIDAD

GENERALES

- El compresor debe utilizarse en una zona bien ventilada.
- Nunca inhale directamente el aire comprimido.
- No sobrepresurice el depósito receptor ni los recipientes similares más allá de sus límites de diseño.
- No utilice un depósito receptor ni un recipiente similar si no cumple los requisitos de diseño del compresor. Para más información, póngase en contacto con la planta de **Ingersoll Rand** o el técnico más cercano.
- No perfore, suelde ni altere de ninguna otra forma el depósito receptor ni los recipientes similares.
- No retire, ajuste, derive, cambie, modifique o efectúe sustituciones de válvulas de seguridad/descarga u otros dispositivos relacionados con el control de presión.
- No utilice herramientas o accesorios neumáticos sin determinar primero la presión máxima recomendada para ese equipo.
- No apunte las boquillas de aire hacia ninguna persona.
- No toque la bomba del compresor, el motor o la tubería de descarga durante su funcionamiento ni inmediatamente después de haber estado en funcionamiento. Estas piezas se calientan.
- Lleve los ojos protegidos cuando utilice o revise un compresor.
- No utilice el compresor donde haya líquidos o vapores inflamables o explosivos, como gasolina, gas natural y disolventes.
- No lo utilice con guardas ni protecciones retiradas, dañados o rotos.
- No retire, pinte ni anule las etiquetas. Reemplace las etiquetas faltantes.

INFORMACIÓN GENERAL

La unidad de compresor de aire es adecuada para hacer funcionar una variedad de herramientas neumáticas. Dependiendo de su aplicación, puede que necesite alguno de los siguientes accesorios:

- Un filtro de línea de aire para eliminar la humedad y el vapor de aceite en el aire comprimido.
- Un lubricador en línea para prolongar la vida útil de las herramientas neumáticas.
- Transformadores de aire independientes que combinen las funciones de regulación de aire y/o eliminación de humedad y suciedad.

Póngase en contacto con el distribuidor autorizado más cercano para obtener más información sobre las herramientas neumáticas y los accesorios para su aplicación.

INSTALACIÓN

■ SELECCIÓN DE LA UBICACIÓN DEL COMPRESOR

■ GENERALES

Seleccione una zona limpia, seca y bien iluminada con suficiente ventilación, flujo de aire de refrigeración adecuado y buena accesibilidad. Coloque la unidad a una distancia superior a 30 cm (12 pulgadas) de las paredes. Asegúrese de que la unidad esté lo más nivelada posible para evitar derrames de combustible.

■ TEMPERATURA

Las temperaturas operativas ideales son entre 4° C y 37,8° C (40° F y 100° F) En zonas con temperaturas más bajas, debe proteger las válvulas de seguridad/descarga y las válvulas de drenaje para evitar que se congelen.

■ ÁREAS HÚMEDAS

En áreas frecuentemente húmedas, se puede acumular humedad en la bomba y producir sedimentos en el lubricante. Esto causará el desgaste prematuro de las piezas móviles. Es muy probable que se produzca un exceso de humedad si la unidad está ubicada en un área sin calefacción sujeta a grandes cambios de temperatura.

Dos signos de exceso de humedad son la condensación externa en la bomba cuando ésta se enfría y un aspecto "lechoso" del lubricante de petróleo.

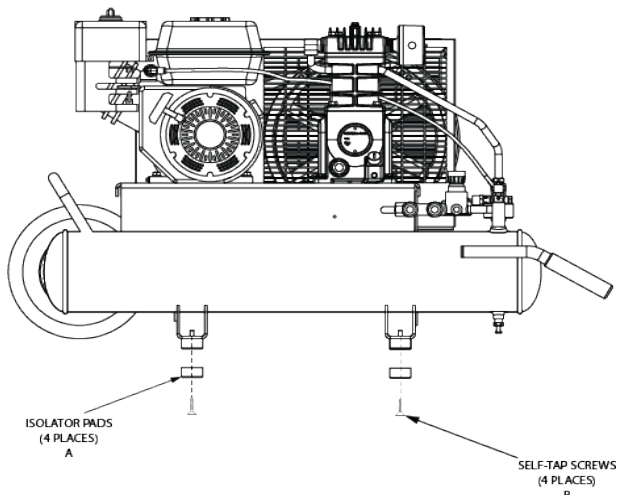
Evite que se acumule humedad en la bomba aumentando la ventilación, operando la máquina durante periodos más prolongados o instalando calefactores en el cárter.

■ CONSIDERACIONES SOBRE EL RUIDO

Consulte a los responsables locales para obtener información sobre los niveles de ruido aceptables en su zona. Para reducir un ruido excesivo, utilice accesorios antivibración o silenciadores en la entrada, cambie de ubicación la unidad o emplee muros deflectores. Consulte al distribuidor para obtener asistencia.

■ INSTALACIÓN DE LAS ALMOHADILLAS AISLANTES

1. Instale las almohadillas aislantes (A) en los cuatro pies con los tornillos autorroscantes (B).
2. Apriete a mano los tornillos.



■ INSTALACIÓN DEL FILTRO DE ENTRADA DE AIRE.

⚠ PRECAUCIÓN

No utilice la unidad sin el filtro de admisión de aire.

Instale el filtro de admisión de aire en la conexión de entrada en la bomba descubierta. Si es necesario un filtrado de alta resistencia, póngase en contacto con el distribuidor para obtener información.

■ INSTALACIÓN DE TUBERÍA DE DESCARGA

Para la instalación de la tubería de descarga de aire o de líquido condensado, observe las siguientes recomendaciones. Comuníquese con su distribuidor para más información.

⚠ ADVERTENCIA

No use tubería plástica, accesorios de cobre soldados, manguera de caucho o uniones soldadas con plomo-estaño en ninguna parte del sistema de aire comprimido.

⚠ ADVERTENCIA

Si se añade un poseñfriador, válvula de retención, válvula de bloqueo o cualquier otra restricción a la descarga del compresor, se debe instalar una válvula de seguridad/ desahogo adecuadamente dimensionada y aprobada por ASME entre la descarga del compresor y la restricción.

⚠ PRECAUCIÓN

Si usa el lubricante sintético para compresores, todo el material de la tubería descendente y los componentes del sistema deben ser compatibles. Consulte la lista de compatibilidad de materiales que se indica a continuación. Si hay materiales incompatibles en su sistema o si hay materiales que no aparecen en la lista, comuníquese con su distribuidor.

INSTALACIÓN

■ LUBRICANTE SINTÉTICO PARA COMPRESORES LISTA DE COMPATIBILIDAD DE MATERIALES

ADECUADOS	NO RECOMENDADOS
• Viton®	• Neoprén
• Teflon®	• Goma natural
• Epoxia (relleno con vidrio)	• Goma sbr
• Alkido existente al aceite	• Pintura acrílica
• Fluorosilicona	• Laca
• Fluorocarbono	• Barniz
• Polisulfuro	• Poliestireno
• Uretano de dos componentes	• PVC
• Nilón	• ABS
• Delrin®	• Policarbonatos
• Celcon®	• Acetato de celulosa
• Goma con alto contenido de nitrilo (buna n. Nbr con más de un 36% de acrilonitrilo)	• Goma con bajo contenido de nitrilo (buna n. Nbr con menos de un 36% de acrilonitrilo)
• Poliuretano	• EPDM
• Polietileno	• Acetato de vinilo etileno
• Epiclorhidrina	• Látex
• Poliacrilato	• EPR
• Melamina	• Acrílicos
• Polipropileno	• Fenoxi
• Fenólicos secados	• Polisulfones
• Epoxias	• Acrilonitrilo estireno (san)
• Alkidos modificados (® indica una marca registrada de dupont corporation)	• Butilo

■ REQUISITOS GENERALES

Las tuberías, accesorios, tanque receptor, etc., deben ser de seguridad certificada para al menos la presión de trabajo de la unidad. Use tuberías y accesorios de cobre o hierro fundido de acero roscado o soldadura dura que tengan seguridad certificada para la presión y temperatura de descarga del compresor. **NO USE PLÁSTICO PVC EN LA LÍNEA DE DESCARGA DE AIRE COMPRIMIDO.** Use sellante de roscas en todas las roscas y junte herméticamente las uniones para evitar fugas de aire.

■ TUBERÍA DE DESCARGA DE LÍQUIDO CONDENSADO

Si instala una línea de descarga de líquido condensado, la tubería debe tener ser de al menos un tamaño más grande que la conexión, debe ser tan corta y directa como sea posible y debe estar adecuadamente encaminada a un punto de drenaje o contenedor de desechos adecuado. Se debe desechar el líquido condensado en conformidad con las leyes y normativas locales, federales y estatales.

AVISO

Todos los sistemas de aire comprimido producen líquido condensado que se acumula en todos los puntos de drenaje (por ejemplo, tanques, filtros, tubos de goteo, posenfriadores, secadores, etc.). Este líquido condensado contiene aceite lubricante y/o otras materias que pueden estar sujetos a regulaciones y se deben desechar en conformidad con las leyes y normativas locales, federales y estatales.

INSTALACIÓN

■ LUBRICACIÓN DEL COMPRESOR

⚠ PRECAUCIÓN

No haga funcionar el compresor sin lubricante o con un lubricante inadecuado. Ingersoll-Rand no se hace responsable en caso de fallas del compresor causadas por una lubricación inadecuada.

■ LUBRICANTE SINTÉTICO PARA EL COMPRESOR

Ingersoll Rand recomienda utilizar el lubricante sintético All Season Select desde la puesta en funcionamiento del compresor. Consulte la sección GARANTÍA para obtener información sobre la garantía ampliada.

■ OTROS LUBRICANTES

Puede utilizar XL-300 o un lubricante comparable a base de petróleo de calidad superior, que no contenga detergentes, que incluya únicamente agentes antioxidantes, antioxidantes y antiespumantes como aditivos, que tenga un punto de inflamación de 227° C (440° F) o superior y que tenga un punto de autoignición de 343° C (650° F) o más

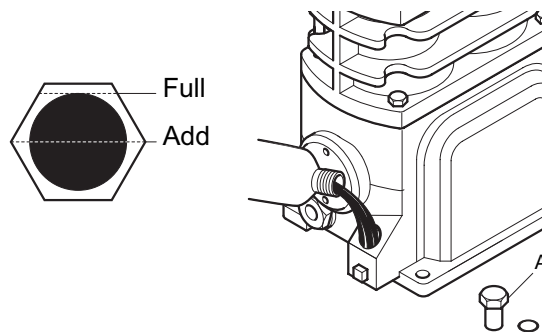
Consulte la tabla de viscosidad de lubricantes de petróleo a continuación. La tabla pretende servir sólo como guía general. Las condiciones de operación de uso intensivo requieren una mayor viscosidad. Consulte las condiciones operativas específicas a **Ingersoll Rand** para que le ofrezcan recomendaciones.

Temperatura alrededor del compresor		Viscosidad a 100°F (37.8°C)		Grado de viscosidad	
°F	°C	SUS	Centistokes	ISO	SAE
< 40	< 4.4	150	32	32	10
40-80	4.4-26.7	500	110	100	30
80-125	26.7-51.0	750	165	150	40

Si utiliza un lubricante de compresor a base de petróleo en la puesta en funcionamiento y decide cambiar posteriormente a All Season Select, debe descarbonizar y enjuagar la bomba antes de proceder con el cambio. Póngase en contacto con **Ingersoll Rand** para obtener más información.

■ PROCEDIMIENTOS DE LLENADO DE LA BOMBA DEL COMPRESOR

1. Destornille y saque el tapón de llenado de aceite (A).
2. Llene lentamente el cárter de lubricante hasta que este alcance la rosca inferior de la abertura de llenado de aceite y la parte superior del visor.
Nota: La capacidad del cárter es de 0,5 litros (una pinta).
3. Vuelva a poner el tapón del aceite y **APRIETE ÚNICAMENTE A MANO.**



■ LUBRICACIÓN Y COMBUSTIBLE DEL MOTOR

⚠ PRECAUCIÓN

No utilice el compresor sin lubricante o con un lubricante inadecuado. Ingersoll Rand no se hará responsable de las averías del motor causadas por una lubricación inadecuada.

Consulte el manual del operario del motor proporcionado con la unidad para asegurarse de los requisitos de lubricación y combustible del motor.

FUNCIONAMIENTO

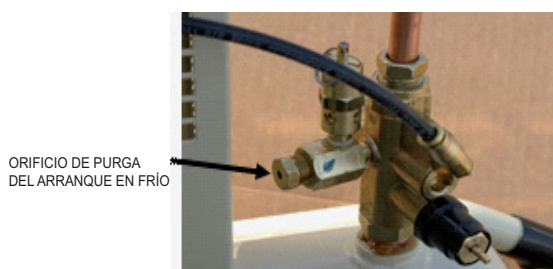
■ GENERALIDADES

El compresor de aire se ha diseñado para un funcionamiento continuo al 100% si se utiliza el lubricante sintético All Season Select de **Ingersoll Rand** y al 60% si se utiliza un lubricante con base de petróleo. O sea, el uso de un lubricante sintético permite al compresor de bombear continuamente sin ciclación. Un lubricante de petróleo limita al compresor de funcionar un máximo de 36 minutos de tiempo de bombeo por hora. El compresor no debe ciclar más de 10 veces por hora.

■ PUESTA EN MARCHA NORMAL

■ PUESTA EN MARCHA

1. Gire la perilla de ajuste del regulador hacia la izquierda hasta que esté completamente cerrada.
2. Conecte la manguera y el accesorio.
3. Este paquete de compresor está equipado con un conjunto de la válvula descargadora automática gracias a la cual no es necesario alternar la válvula de forma manual para el arranque del motor. Además, la válvula descargadora automática cuenta con una función de "arranque en frío" que se muestra en la ilustración que aparece más adelante. Esta válvula purga el aire de la corriente del aire de descarga del compresor durante el arranque del motor, lo que reduce las necesidades de par de arranque del motor. Estas válvulas resultan especialmente útiles en bombas de compresores lubricadas con aceite que pueden estar sometidas a bajas temperaturas. Cuando la tubería de descarga está a una presión nula, la válvula de arranque en frío se abre. A medida que arranca el motor, el aire sale del orificio de purga de arranque en frío hacia la atmósfera; a medida que aumenta la presión de descarga, el orificio de purga se cierra y sigue cerrado hasta el final del ciclo de bombeo. Durante el funcionamiento normal, puede notarse un flujo de aire insignificante en el orificio de purga del arranque en frío. Esto no debe preocuparle.



4. Siga las instrucciones en el manual del propietario del motor para arrancar y poner en funcionamiento el motor.
5. Utilizando el indicador de presión del depósito como referencia, permita que la presión del depósito alcance la presión máxima.

⚠ PRECAUCIÓN

Los ruidos o vibraciones inusuales son indicación de la existencia de un problema. Deje de utilizar el compresor hasta haber identificado y corregido el origen del problema. SI SE PRODUCE UNA SITUACIÓN DE EMERGENCIA, APAGUE EL SISTEMA INMEDIATAMENTE.

AVISO

Cuando el depósito alcanza la presión de corte, el compresor deja de bombear pero el motor continúa funcionando. Cuando la presión del depósito receptor cae por debajo del mínimo predeterminado de fábrica, el compresor reanuda el bombeo y el depósito aumenta la presión de disyunción.

6. Gire la perilla de ajuste del regulador en el sentido de las agujas del reloj para obtener la presión deseada, indicada por el calibre instalado en el regulador.

■ APAGADO

1. Siga las instrucciones incluidas en el manual del propietario del motor para apagar el motor.
2. Gire la perilla de ajuste del regulador hacia la izquierda hasta que esté completamente cerrada.
3. Retire el accesorio.
4. Gire lentamente la perilla de ajuste del regulador en el sentido de las agujas del reloj para permitir que el aire escape del depósito. Cuando el indicador de presión del depósito indique 20 psig, gire la perilla de ajuste del regulador en sentido contrario a las agujas del reloj hasta que esté completamente cerrada.
5. Abra la válvula de drenaje manual lentamente para drenar la humedad del depósito y purgar el aire restante.
6. Cierre la válvula de drenaje manual.
7. Gire la válvula de cierre de combustible hasta la posición "off" (desconectada) antes de transportar el generador.

MANTENIMIENTO

⚠ ADVERTENCIA

Desconecte el cable de la bujía del motor y libere la presión de aire del depósito antes de realizar cualquier tarea de mantenimiento.

AVISO

Todos los sistemas de aire comprimido contienen componentes sujetos a mantenimiento (por ejemplo, aceite lubricante, filtros, separadores) que se deben reemplazar periódicamente. Estos componentes usados pueden o no contener sustancias sujetas a regulación y se deben desechar en conformidad con las leyes y normativas locales, federales y estatales.

AVISO

Tome nota de las posiciones y ubicaciones de las piezas durante el desmontaje para facilitar el reensamblaje. Las secuencias del montaje y las piezas ilustradas pueden diferir para su unidad particular.

AVISO

Siga el manual del propietario del motor para ver los programas y procedimientos de mantenimiento del motor.

AVISO

Cualquier operación de servicio que no se incluya en esta sección debe ser ejecutada por un representante autorizado.

PERIODO	MANTENIMIENTO
Petróleo - 3/500* Sintético - 12/2000*	Limpie el exterior.
	Cambie el lubricante sintético mientras el cárter esté tibio.
	Cambie el lubricante sintético mientras el cárter esté tibio. Reemplace el elemento de filtro.

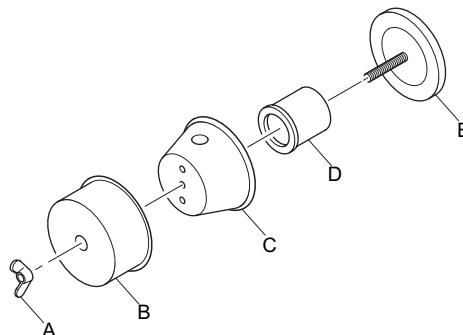
* - indica las horas/meses de funcionamiento, lo que ocurra primero

■ RECAMBIO DEL FILTRO

- Destornille y saque la tuerca de mariposa (A).
- Saque la cubierta del filtro (B), el deflector (C) y el elemento (D) de la base (E).
- Instale un nuevo elemento y remonte el conjunto del filtro.

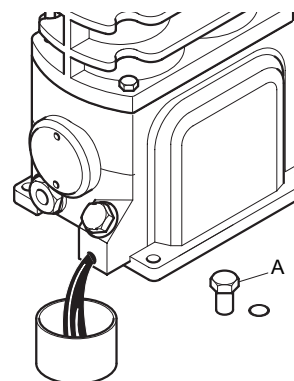
AVISO

Las aperturas de aspiración de aire en el deflector y la cubierta deben alternarse a 180°. Durante la reinstalación del conjunto a la conexión de entrada, asegúrese de que la apertura de aspiración esta al fondo para minimizar la entrada de materias extrañas desde el aire.



■ CAMBIO DE ACEITE DE LA BOMBA DEL COMPRESOR

- Saque el tapón de drenaje de aceite (A) y deje que el lubricante se vacíe en un contenedor adecuado.
- Vuelva a poner el tapón de drenaje de aceite.
- Siga los procedimientos de llenado de la sección OPERACIÓN.



PERIODO	MANTENIMIENTO
Diariamente o antes de cada operación	Revise el nivel del lubricante. Rellene según sea necesario.
	Drene el líquido condensado del tanque receptor. Abra la válvula de drenaje manual, recoja y disponga del líquido condensado según corresponda.
	Verifique si hay vibraciones y ruidos inusuales.
	Asegúrese de que los guardabandas y las cubiertas estén bien sujetos en su lugar.
Semanalmente/ Mensualmente	Asegúrese de que el área alrededor del compresor esté libre de trapos, herramientas, escombros y materiales inflamables o explosivos.
	Revise el elemento del filtro de aire. Limpie o reemplace si necesario.
	Verifique si hay fugas de aire. Ponga agua jabonosa alrededor de las juntas mientras el compresor está funcionando y observe si se producen burbujas.
	Revise el apriete de los tornillos y pernos. Vuelva a apretar si es necesario.

RESOLUCIÓN DE PROBLEMAS

Esta sección proporciona una lista de los fallos más frecuentes, sus causas y las acciones correctivas correspondientes. Algunas de las acciones correctivas pueden ser llevadas a cabo por el operario o el personal de mantenimiento, y otras pueden requerir la asistencia de un técnico cualificado de **Ingersoll Rand** o el distribuidor.

AVISO

Consulte el manual del propietario del motor para obtener más información sobre la resolución de posibles problemas del motor.

PROBLEMA	PUNTOS DE VERIFICACIÓN	PROBLEMA	PUNTOS DE VERIFICACIÓN
Desgaste anormal del pistón, anilla o cilindro	4, 7, 8, 14, 19, 26	Alto consumo de aceite	1, 4, 8, 13, 14, 15, 17, 22
Gotas en la entrega de aire	1, 5, 6, 11, 13, 14, 20	Ruidos o traqueteo	2, 11, 12, 14, 15, 16
La unidad no alcanza la velocidad necesaria	2, 6, 11, 16	Humedad en el cárter o aspecto "lechoso" en el lubricante a base de petróleo u oxidación en los cilindros	8, 9
La unidad tarda en alcanzar la velocidad correcta	6, 18, 21	Aceite en el aire de descarga (bombeo de aceite)	4, 8, 13, 14, 22, 23
La unidad se sobrecalienta en exceso	3, 10, 11	Fuga de aceite en la junta del eje	17
Ruido excesivo durante el funcionamiento de la unidad	2, 6, 7, 11, 12, 16, 18	La válvula de seguridad/descarga se abre repentinamente	1, 11, 20
Arranques y paradas excesivos	5, 18, 23		

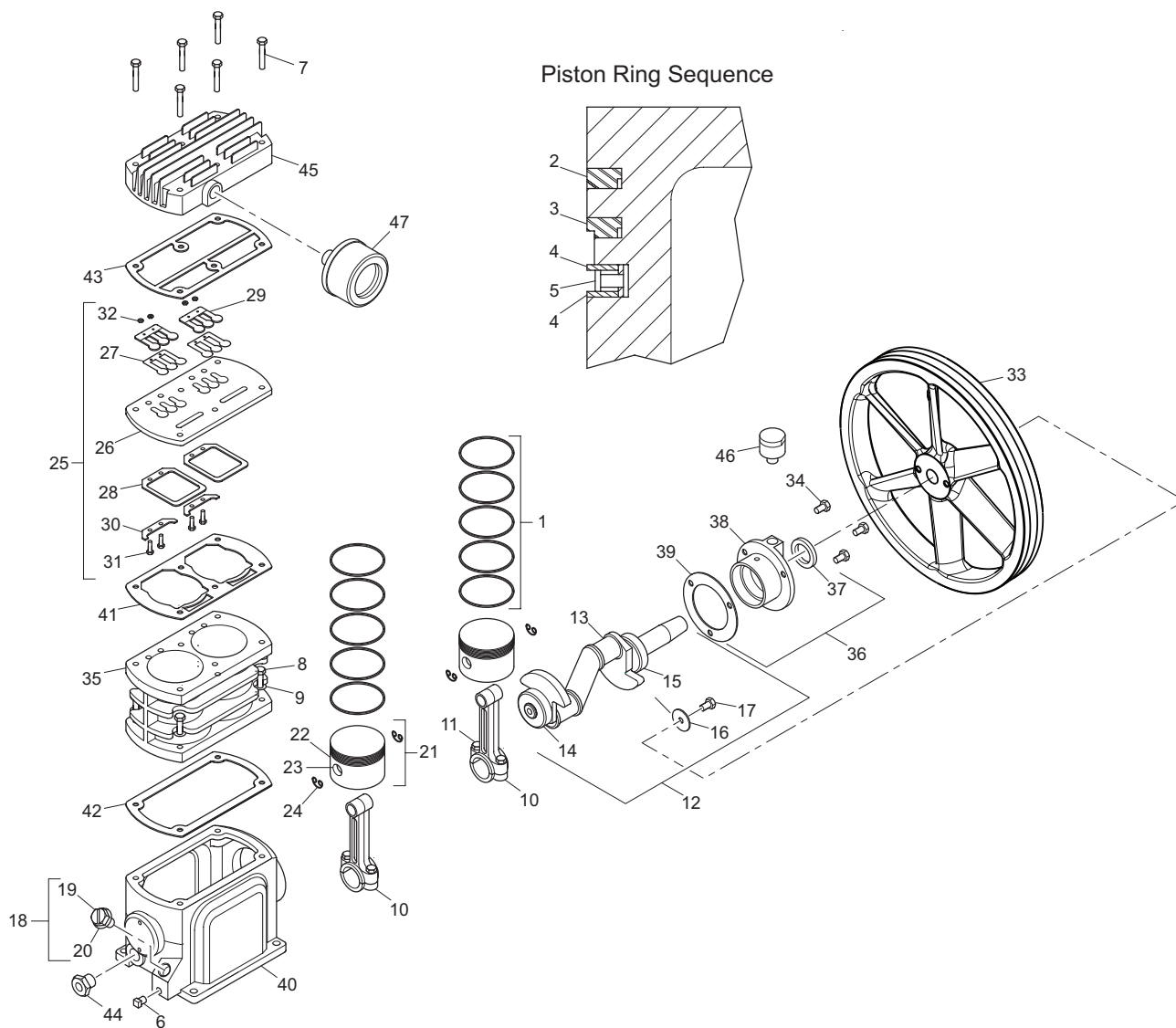
PUNTOS DE VERIFICACIÓN	CAUSA PROBABLE	POSIBLE SOLUCIÓN
1	Entrada y/o filtro del tubo de descarga sucio o atascado.	Limpie o reemplace.
2	Rueda de la banda o polea del motor de partida sueltas, juego excesivo en el eje del motor o bandas de la transmisión sueltas.	Revise la tensión y alineación de la rueda de la banda, polea del motor de partida, ciguenal, y banda de transmisión. Repare o reemplace según sea necesario.
3	Ventilación inadecuada en la rueda de la banda.	Ubique el compresor en una posición con mejor ventilación.
4	Lubricante poco viscoso.	Drene el lubricante y vuelva a llenar con uno adecuado.
5	Filtraciones de aire en la tubería de descarga de aire.	Revise la tubería y las conexiones.
6	Lubricante demasiado viscoso.	Drene el lubricante y vuelva a llenar con uno adecuado.
7	Muy poco lubricante.	Agregue lubricante al cárter hasta el nivel adecuado.
8	Se está usando lubricante tipo detergente.	Drene el lubricante y vuelva a llenar con uno adecuado.
9	Ciclos de operación muy cortos. Compresor ubicado en área húmeda o rojizada.	Ciclos de operación muy cortos.
10	Bandas de transmisión muy apretadas o mal alineadas.	Ajuste las bandas a la tensión y alineación adecuadas.
11	Valvulas del compresor rotas, carbonizadas, sueltas o con filtraciones.	Inspeccione las valvulas. Limpie o reemplace según sea necesario.
12	Acumulación de carbono sobre el o los pistones.	Limpie el o los pistones. Repare o reemplace según sea necesario.
13	Anillos del pistón dañados o desgastados (rotos, rugosos o rayados). Espacio final o separación lateral excesiva. Los anillos del pistón no están asentados, están pegados a las ranuras o los espacios finales no están escalonados.	Ajuste los anillos del pistón.
14	Cilindros o pistones rayados, gastados o cortados.	Repare o reemplace según sea necesario.
15	Cojinetes de la varilla de unión, pasador del pistón o del muñon gastados o cortados.	Inspeccione todo. Repare o reemplace según sea necesario.

RESOLUCIÓN DE PROBLEMAS

PUNTOS DE VERIFICACIÓN	CAUSA PROBABLE	POSIBLE SOLUCIÓN
16	Cojinetes de bolas defectuosos en el ciguenal o eje del motor de partida.	Inspeccione los cojinetes y reemplace el ensamblaje del ciguenal si es necesario.
17	Reten del ciguenal gastado o ciguenal cortado.	Reemplace el reten o ensamblaje del ciguenal.
18	Valvula de retencion con filtraciones o asiento de la valvula fundido.	Reemplace la valvula de retencion.
19	Atmosfera extremadamente polvorienta.	Instale tuberla y acceso de aire remoto a una fuente de aire mas limpio. Instale un filtro mas eficaz.
20	Valvula de seguridad/descarga defectuosa.	Reemplace.
21	Temperatura ambiente demasiado baja.	Ubique el compresor en un ambiente mds cdlido. Convierte a lubricante sintético.
22	Capa superficial del cilindro desgastada.	Limpie el cilindro con flex-hone de 180 granulos.
23	Condensacion excesiva en tanque receptor.	Drene el tanque receptor con la valvula de drenaje manual.

LISTA DE PIEZAS DEL CONJUNTO DE LA BOMBA DEL COMPRESOR SS3

■ BOMBA DEL COMPRESOR MODELO SS3



NOTE:

- Item 12 includes Item 13, 14, 15, 16 and 17
- Item 18 includes Item 19 and 20
- Item 21 includes Item 22, 23 and 24
- Item 25 includes Item 26, 27, 28, 29, 30, 31 and 32
- Item 36 includes Item 37, 38 and 39

LISTA DE PIEZAS DEL CONJUNTO DE LA BOMBA DEL COMPRESOR SS3

ELEME NTO	CCN	DESCRIPCIÓN	CANT.
REF.	18002378	BOMBACOMPRESORA SINACCESORIOS	-
1†	32307092	CONJUNTO DE ANILLOS DE PISTON	2
2	NSS	• IANILLO DE COMPRESIÓN	1
3	NSS	• IANILLO RASCADOR	1
4	NSS	• IANILLO ESPACIADOR REGULADOR DE ACEITE	2
5	NSS	• IANILLO REGULADOR DE ACEITE	1
6	95033585	TAPON ROSCADO DE PURGA DEL	1
7	96715784	TORNILLO DE CABEZA, (PERNO DE CULATA)	6
8	96716113	TORNILLO DE CABEZA, (PERNO DE CILINDRO)	4
9	96728316	ARANDELA DE MUELLE	4
10	97330427	CONJUNTO DE BELA	2
11	96702246	• ITORNILLO DE CABEZA	2
12	97338081	CONJUNTO DE CIGÜEÑAL - SERVICIO	1
13	NSS	• ICIGÜEÑAL	1
14	NSS	• ICOJINETE PRINCIPAL	1
15	NSS	• ICOJINETE DE BOLAS	1
16	54375977	• IARANDELA	1
17	54440045	• ITORNILLO DE CABEZA, - ROSCA IZQUIERDA	1
18	49812050	CONJUNTO DE TAPON ROSCADO PARA RELLENO DE LUBRICANTE	1
19	NSS	• ITAPON ROSCADO PARA RELLENO DE LUBRICANTE	1
20	95024394	• IJUNTA TORICA, TAPON ROSCADO PARA RELLENO DE LUBRICANTE	1
21	97330468	CONJUNTO DE PISTON Y PASADOR	2

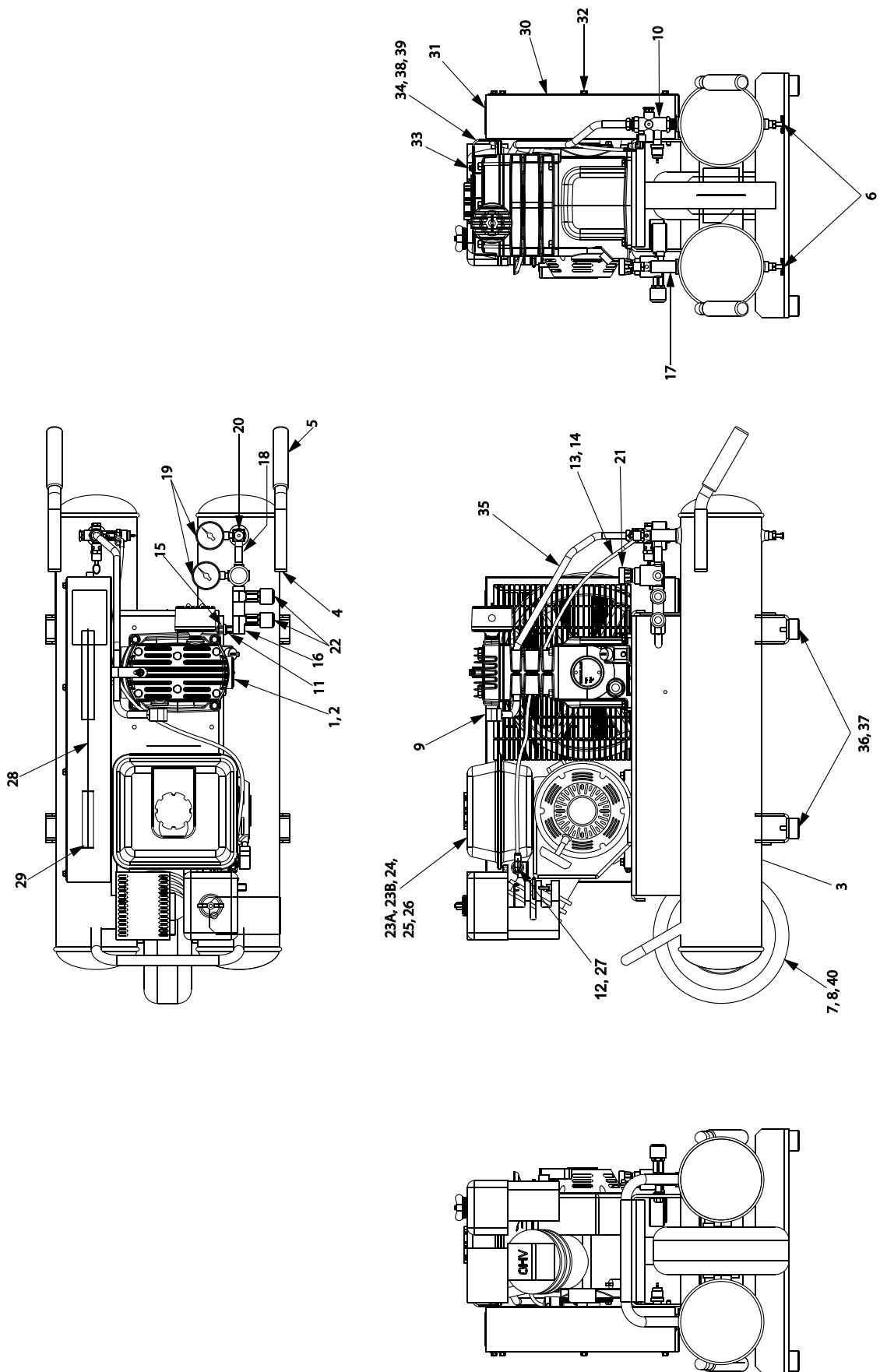
ELEME NTO	CCN	DESCRIPCIÓN	CANT.
22	NSS	• IPISTON	1
23	NSS	• IPASADOR DE PISTON	1
24	NSS	• IANILLO DE FIJACION	2
25**	97330484	CONJUNTO DE VALVULA	1
26	NSS	• IPLATILLO DE VALVULA	1
27	NSS	• IVALVULA DE DESCARGA	2
28	NSS	• IVALVULA DE ADMISION	2
29	NSS	• IDETENEDOR DE DESCARGA	2
30	NSS	• IRETEN, ADMISION	2
31	NSS	• ITORNILLO DE CABEZA HEXAGONAL	4
32	NSS	• ITUERCA HEXAGONAL - C/ARANDELA DE BLOQUEO	4
33	24655631	RUEM DE POLEA	1
34	97330500	TORNILLO DE CABEZA, (PERNOS DE TAPA EXTREMA)	3
35	97330625	CILINDRO	1
36	97338073	CONJUNTO DE TAPA EXTREMA-SERVICIO	1
37	32204521	• IOBTURADOR PARAEJES	1
38	NSS	• ITAPA EXTREMA	1
39	97331227	• IEMPAQUETADURA, TAPA DE EXTREMA	1
40	97330641	BATIENTE, COMPRESOR	1
41**	97330658	EMPAQUETADURA, PLATILLO DE VALVULA	1
42†	97330666	EMPAQUETADURA, CILINDRO	1
43**	54571609	EMPAQUETADURA DE CULATA	1
44	97330682	VISOR DE NIVEL	1
45	97330690	CULATA	1
46	70243936	CONJUNTO DE PURGA	1
47	70243399	FILTRO DE ENTRADA	1
NI	70243712	• IELEMENTO DEL FILTRO	1

NSS NO SE VENDE POR SEPARADO

** DISPONIBLE INDIVIDUALMENTE O EN CONJUNTO DE VALVULA 97338107

† DISPONIBLE INDIVIDUALMENTE O EN CONJUNTO DE ANILLOS DE PISTON 97338115

LISTA DE PIEZAS DE LA BOMBA DEL COMPRESOR SS3



LISTA DE PIEZAS DE LA BOMBA DEL COMPRESOR SS3

ELEME NTO	CCN	DESCRIPCIÓN	CANT.
1	18002378	BOMBA, COMPRESOR	1
2	56290794	TORNILLO	4
3	22866552	DEPÓSITO RECEPTOR	1
4	54394036	TAPA DE BUJÍA	2
5	97171060	MANGO	2
6	32027120	VÁLVULA DE DRENAJE MANUAL	2
7	54389572	EJE	1
8	54506001	RUEDA	1
9	95040184	CODO, TUBO 1/2X3/8	1
10	47600594001	CONJUNTO VÁLVULA- DESCARGADOR	1
11	18007138	PASADOR, COLECTOR SS3 BARRA DE RUEDAS	1
12	39155577	CODO	2
13	97265912	TUBO DEL DESCARGADOR	1
14	97182240	PIEZA DE TUBO DE NYLON	2
15	39128566	TUERCA	1
16	18007112	CARROCERÍA, CONJUNTO COLECTOR	1
17	18007120	ACCESORIO, CONJUNTO COLECTOR	2
18	95871463	BOQUILLA	1
19	54494075	MANÓMETRO	2

ELEME NTO	CCN	DESCRIPCIÓN	CANT.
20	97010094	VÁLVULA DE SEGURIDAD	1
21	37992849	REGULADOR DE PRESIÓN	1
22	32238354	ACOPLADOR	2
23A	97339451	MOTOR (HONDA)	1
23B	47617263001	MOTOR (KOHLER)	1
24	58879461	CAPTORNILLO	4
25	54391545	TUERCA	4
26	95094389	LLAVE	1
27	47619810001	ACTUADOR, RALENTÍ MOTOR PEQUEÑO	1
28	32205601	CORREA	1
29	22921860	POLEA	1
30	54459508	CUBIERTA CORREA, FRONTAL	1
31	54459516	CUBIERTA CORREA, TRASERA	1
32	97173595	CAPTORNILLO	14
33	56280159	TORNILLO	1
34	54640032	ABRAZADERA, CUBIERTA CORREA	1
35	49812324	BOMBA AL TUBO DEL DESCARGADOR	1
36	97175343	ALMOHADILLA AISLANTE	4
37	97175350	TORNILLO	4
38	32175564	TORNILLO	1
39	39128541	TUERCA	1
40	54657218	TUERCA	1

JUEGOS Y ACCESORIOS

■ KIT DE GARANTÍA AMPLIADA

Cada kit de garantía ampliada contiene los filtros de aire y todo el lubricante All Season Select necesario para dos años de funcionamiento.

Nº DE PIEZA	DESCRIPCIÓN
47623376001	KIT DE GARANTÍA AMPLIADA (KOHLER)
97339501	KIT DE GARANTÍA AMPLIADA (HONDA)

■ LUBRICANTE SINTÉTICO INGERSOLL-RAND PARA EL COMPRESOR

Nº DE PIEZA	DESCRIPCIÓN
97338131	LUBRICANTE BOTELLA DE 0.5L
38436721	LUBRICANTE BOTELLA DE 1L

■ ELEMENTO DE FILTRO DE AIRE

Nº DE PIEZA	DESCRIPCIÓN
70243712	ELEMENTO. FILTRO DE AIRE

■ JUEGOS AHORRAPASOS

Los juegos ahorrapasos proporcionan todas las piezas que se necesitan para realizar reparaciones corrientes, como el reemplazo de anillos de pistón o el reemplazo de válvulas.

Nº DE PIEZA	DESCRIPCIÓN	CONTENIDOS
97338107	KIT, VALVE/GASKET	Piezas que se desgastan en las válvulas y empaquetaduras de culata que se destruyen al reemplazar las piezas de las válvulas.
97338115	KIT, RING/GASKET	Juego completo de anillos de pistón, un sello de ciguena y empaquetaduras que se destruyen al desarmar la unidad para reemplazar los anillos.

■ JUEGOS DE CALEFACTOR DEL CARTER

Se recomienda usar calefactores del carter cuando las temperaturas ambiente suelen estar por debajo de los 32°F (0°C). Un juego de calefactor externo del carter, de fácil instalación, está destinado a su uso de postventa.

Nº DE PIEZA	DESCRIPCIÓN
97330385	JUEGO, CALEFACTOR DEL CARTER

■ CONDUCTOS DE AIRE PARA VARIOS USOS

Estos ensamblajes de conductos de aire son conductos para cargas pesadas, livianos destinados para una presión efectiva de 300 PSIG

Nº DE PIEZA	DESCRIPCIÓN
32323750	CONDUCTO DE AIRE- 3/8" x 25' (1/4" MACHO NPT)
32323768	CONDUCTO DE AIRE - 3/8" x 50' (1/4" MACHO NPT)
32323776	CONDUCTO DE AIRE- 3/8" x 100' (1/4" MACHO NPT)

■ PIEZAS DEL MOTOR

Nº DE PIEZA	DESCRIPCIÓN
32498552	OIL, 10W30 MOTOR - QUART
47629343001	COMPLETO, FILTRO DE 5,5HP (KOHLER)
54405071	ELEMENT, MOTOR AIR FILTER (HONDA)

GARANTÍA Y LIMITACIÓN DE RESPONSABILIDADES

■ GARANTÍA

Ingersoll Rand Company garantiza que los equipos que fabrica y distribuye conforme a este documento estarán libres de defectos tanto en sus materiales como en su fabricación, durante un período de doce (12) meses desde la fecha en que los Equipos se ponen en operación o de dieciocho (18) meses desde el momento del embarque, lo que suceda primero. Este período de garantía se aplicará a todos los Equipos, salvo los siguientes:

1. Para los compresores adquiridos con un kit de garantía ampliada que funcionan únicamente con el lubricante sintético de **Ingersoll Rand** incluido, el compresor solo estará cubierto por una garantía de veinticuatro (24) meses desde la fecha de puesta en funcionamiento inicial o de treinta (30) meses desde la fecha de envío..
2. Los repuestos tendrán una garantía de seis (6) meses desde la fecha de embarque.

Si dentro de dicho período se informa por escrito a la Compañía de algún tipo de incumplimiento de las condiciones de esta Garantía, la Compañía a su discreción corregirá dicho incumplimiento reparando el Equipo en forma apropiada o proporcionará un reemplazo F.O.B. en el punto de embarque, siempre y cuando el comprador haya instalado, mantenido y operado dicho Equipo en conformidad con prácticas industriales correctas y haya cumplido con las recomendaciones específicas de la Compañía. Los accesorios o equipos provistos por la Compañía pero fabricados por otros mantendrán todas las garantía traspasadas a **Ingersoll Rand** Company por su fabricante y que puedan ser transferidas al Comprador. La Compañía no se hará responsable de reparaciones, reemplazos o ajustes a los Equipos o de ningún tipo de costo por mano de obra en que incurra el Comprador que no cuenten con la previa autorización por escrito de la Compañía.

La Compañía no otorga ningún tipo de garantía de buena ejecución, a menos que se estipule específicamente dentro de sus propuestas, y esta Garantía excluye específicamente los efectos de la corrosión, erosión y el desgaste normal. En aquellos casos donde expresamente se incluyan garantías de buena ejecución, la obligación de la Compañía será efectuar correcciones en la manera y durante el plazo estipulado más arriba.

LA EMPRESA NO OFRECE NINGUNA OTRA GARANTÍA O ASEVERACIÓN DE NINGÚN TIPO, YA SEA EXPLÍCITA O IMPLÍCITA, A EXCEPCIÓN DE AQUELLAS DE TÍTULO, Y RENUNCIA POR EL PRESENTE DOCUMENTO A TODAS LAS GARANTÍAS IMPLÍCITAS DE COMERCIALIZACIÓN Y ADECUACIÓN PARA UN FIN DETERMINADO.

La corrección de los incumplimientos de la Compañía, sean patentes o latentes, en la forma y durante el plazo estipulado más arriba, deberá constituir el cumplimiento de todas las responsabilidades de la Compañía y sus Distribuidores, para aquellos incumplimientos respecto a o que surjan de dichos Equipos.

■ LIMITACIÓN DE RESPONSABILIDADES

LOS RECURSOS DEL COMPRADOR ESTIPULADOS EN ESTE DOCUMENTO SON EXCLUSIVOS Y LA RESPONSABILIDAD TOTAL DE LA COMPAÑÍA, SUS DISTRIBUIDORES Y PROVEEDORES, CON RESPECTO AL CONTRATO O EQUIPOS Y SERVICIOS PROVISTOS, EN RELACIÓN CON LA EJECUCIÓN O SU FALTA DE CUMPLIMIENTO O QUE SURJAN DE LA FABRICACIÓN, VENTA, ENTREGA, INSTALACIÓN, REPARACIÓN O DIRECCIÓN TÉCNICA CUBIERTA O PROVISTA BAJO UN CONTRATO, YA SEA QUE SE BASEN EN UN CONTRATO, GARANTÍA, NEGLIGENCIA, INDEMNIDAD, RESPONSABILIDAD LIMITADA U OTRO, NO PODRÁN EXCEDER EL PRECIO DE COMPRA DE LA UNIDAD O EQUIPO EN LOS CUALES SE BASA DICHA RESPONSABILIDAD.

LA COMPAÑÍA, SUS DISTRIBUIDORES Y SUS PROVEEDORES NO SERÁN RESPONSABLES BAJO CIRCUNSTANCIA ALGUNA ANTE EL COMPRADOR, CUALQUIER SUCESOR O BENEFICIARIO O CESIONARIO DEL CONTRATO, POR NINGÚN DAÑO INDIRECTO, INCIDENTAL, ESPECIAL O PUNITORIO QUE SURJA DE ESTE CONTRATO O DE CUALQUIER INCUMPLIMIENTO DE ÉL, O DE CUALQUIER DEFECTO, FALLA O MAL FUNCIONAMIENTO DEL EQUIPO, YA SEA QUE SE BASE DICHO DAÑO O NO EN LA FALTA DE USO, LA PÉRDIDA DE INGRESOS O UTILIDADES, INTERESES, PÉRDIDA DE BUENA REPUTACIÓN, CESE DE TAREAS, DAÑO SOBRE OTROS BIENES, PÉRDIDAS PRODUCTO DEL CIERRE O LA FALTA DE FUNCIONAMIENTO, AUMENTO EN LOS COSTOS DE OPERACIÓN, COSTO DE LA COMPRA DE ENERGÍA DE REEMPLAZO O DEMANDAS DE LOS COMPRADORES O CLIENTES DEL COMPRADOR POR LA INTERRUPCIÓN DEL SERVICIO, SE ORIGINE O NO DICHA PÉRDIDA O DAÑO EN EL CONTRATO, GARANTÍA, NEGLIGENCIA, INDEMNIZACIÓN, RESPONSABILIDAD ABSOLUTA U OTRO.



A series of horizontal lines spanning the width of the page, providing a template for writing.





22204911
Révision D
Avril 2018

COMPRESSEURS D'AIR ALTERNATIFS

Entraînement Du Moteur Brouette SS3

Manuel du propriétaire avec liste des pièces

FR Manuel du propriétaire avec liste des pièces



Veillez conserver ces instructions

IR *Ingersoll Rand*[®]

SOMMAIRE

FICHE D'INFORMATIONS DESTINÉE AUX CONSOMMATEURS	3	OPÉRATION	9
PROBLÈMES D'INSTALLATION, DE FONCTIONNEMENT, D'ENTRETIEN ET DE DÉPANNAGE.....	3	GÉNÉRALITÉS.....	9
PIÈCES MANQUANTES	3	DÉMARRAGE NORMAL.....	9
DOMMAGE LORS DE LA LIVRAISON OU PIÈCES DÉFECTUEUSES.....	3	MISE EN SERVICE	9
À PROPOS DE CE MANUEL	4	ARRÊT	9
INFORMATIONS RELATIVES À LA SÉCURITÉ	4	ENTRETIEN	10
EXPLICATION DES SYMBOLES DE SÉCURITÉ	4	REPLACEMENT DU FILTRE.....	10
MESURES GÉNÉRALES DE SÉCURITÉ	4	CHANGEMENT DE L'HUILE DE LA POMPE DU COMPRESSEUR	10
MESURES GÉNÉRALES DE SÉCURITÉ SUPPLÉMENTAIRES	5	DÉPANNAGE	11
INFORMATIONS GÉNÉRALES	5	SCHÉMA ET LISTE DES PIÈCES DE L'ENSEMBLE DE POMPE DU COMPRESSEUR NU SS3	13
INSTALLATION	6	POMPE DU COMPRESSEUR NU MODÈLE SS3.....	13
SÉLECTION DE L'EMPLACEMENT	6	LISTE DES PIÈCES DE LA POMPE DU COMPRESSEUR NU SS3	15
GÉNÉRALITÉS	6	TROUSSES ET ACCESSOIRES	17
TEMPÉRATURE.....	6	GARANTIE ÉTENDUE KIT	17
LIEUX HUMIDES	6	LUBRIFIANT SYNTHÉTIQUE INGERSOLL RAND POUR COMPRESSEURS.....	17
CONSIDÉRATIONS EN MATIÈRE DE BRUIT	6	ÉLÉMENT DE FILTRE D'AIR.....	17
INSTALLATION DES COUSSINETS ISOLANTS.....	6	TROUSSES D'ENTRETIEN RAPIDE.....	17
INSTALLATION DU FILTRE D'ASPIRATION	6	TROUSSE DE CHAUFFAGE DU CARTER PRINCIPAL	17
INSTALLATION DE LA CANALISATION DE REFOULEMENT	6	TUYAUX D'AIR A FONCTION MULTIPLE	17
LUBRIFIANT SYNTHÉTIQUE POUR COMPRESSEUR LISTE DE COMPATIBILITÉ MATÉRIELLE.....	7	PIÈCES MOTEUR	17
EXIGENCES GÉNÉRALE.....	7	GARANTIE ET LIMITATION DE RESPONSABILITÉ	18
CANALISATIONS DE REFOULEMENT DU CONDENSAT	7	GARANTIE.....	18
LUBRIFICATION DU COMPRESSEUR	8	LIMITATION DE RESPONSABILITÉ.....	18
LUBRIFIANT SYNTHÉTIQUE.....	8		
LUBRIFIANTS DE RECHANGE	8		
PROCÉDURES DE REMPLISSAGE:	8		
LUBRIFICATION DU MOTEUR ET CARBURANT	8		

FICHE D'INFORMATIONS DESTINÉE AUX CONSOMMATEURS

Nous vous remercions d'avoir acheté un produit Ingersoll-Rand. Nous savons qu'il vous offrira de nombreuses années de fonctionnement sans encombre d'entretien. Si vous rencontrez des problèmes ou si vous avez besoin d'aide, veuillez vous reporter aux informations fournies dans ce document.

■ PROBLÈMES D'INSTALLATION, DE FONCTIONNEMENT, D'ENTRETIEN ET DE DÉPANNAGE.

Veuillez commencer par lire le manuel d'utilisation. Il peut souvent clarifier votre compréhension. Si les problèmes persistent, veuillez appeler la ligne d'assistance téléphonique gratuite.

■ PIÈCES MANQUANTES

Si des pièces sont manquantes, veuillez appeler la ligne d'assistance téléphonique gratuite. Lorsque vous appelez, vous devez avoir à portée de main le numéro de série, le numéro de la pièce, le numéro du modèle et la liste des pièces (avec les pièces manquantes encerclées). Vos pièces seront expédiées immédiatement.

■ DOMMAGE LORS DE LA LIVRAISON OU PIÈCES DÉFECTUEUSES

Chaque nouveau produit est inspecté et en bon état avant l'envoi depuis l'usine. Si votre produit a été reçu dans un état non satisfaisant, ou si vous découvrez un défaut qui nécessite une assistance ou un réglage par du personnel qualifié, veuillez contacter votre représentant du service clientèle agréé le plus proche.

NE PAS RETOURNER LE PRODUIT À VOTRE REVENDEUR !

ASSISTANCE TÉLÉPHONIQUE POUR LES PIÈCES ET LE SERVICE CLIENTÈLE :

1-800-AIR-SERV

(1-800-247-7378)

À PROPOS DE CE MANUEL

Ce manuel contient des instructions sûres et fiables pour l'installation, le fonctionnement et l'entretien de votre compresseur d'air **Ingersoll Rand**. Lisez attentivement ce manuel avant de faire fonctionner l'appareil ou d'effectuer toute opération d'entretien. En cas de doutes sur l'une des instructions ou sur les procédures présentées dans ce manuel, veuillez contacter **Ingersoll Rand**. Nous vous recommandons de conserver ce manuel et toutes les publications fournies avec votre compresseur d'air dans un emplacement accessible par tout le personnel qui utilise et assure l'entretien de votre équipement d'air comprimé.

INFORMATIONS RELATIVES À LA SÉCURITÉ

■ EXPLICATION DES SYMBOLES DE SÉCURITÉ

Tout au long de ce manuel sont décrites des étapes et des procédures qui, si elles sont respectées, protègent de risques importants. Les mentions d'avertissement suivantes sont utilisées pour identifier le niveau de danger potentiel.

 **DANGER**

Signale une situation présentant un danger potentiel immédiat qui, si elle n'est pas évitée, peut entraîner la mort ou occasionner des blessures graves.

 **AVERTISSEMENT**

Signale une situation potentiellement dangereuse qui, si elle n'est pas évitée, peut entraîner la mort ou occasionner des blessures graves.

 **ATTENTION**

Signale une situation potentiellement dangereuse qui, si elle n'est pas évitée, peut provoquer des blessures mineures ou modérées ou des dommages matériels.

AVIS

Indique une information ou une politique de l'entreprise reliée directement ou indirectement à la sécurité du personnel ou la protection de la propriété.

■ MESURES GÉNÉRALES DE SÉCURITÉ

 **DANGER**

AIR D'ADMISSION

Peut contenir du monoxyde de carbone ou d'autres contaminants. Cause des blessures ou la mort. Les compresseurs Ingersoll-Rand n'ont été conçus, ni destinés, ni approuvés pour la compression d'air respirable. L'air comprimé ne doit pas être utilisé pour la respiration à moins qu'il ait été traité d'après les normes et règlements en vigueur pour cette application.

 **DANGER**

TENSION DANGEREUSE

Peut causer des blessures graves ou la mort. **Débrancher l'alimentation et purger la pression du réservoir avant de réparer. Verrouiller/étiqueter la machine. Le compresseur doit être branché sur un circuit correctement mis à la terre. Reportez-vous aux instructions de la mise à terre dans ce manuel. Ne pas faire fonctionner le compresseur dans des conditions humides. Stocker à l'intérieur..**

 **AVERTISSEMI**

PIÈCES TOURNANTES

Peut causer des blessures graves. **Ne pas utiliser sans les dispositifs de protection. La machine peut démarrer automatiquement. Débrancher avant le service. Verrouiller/étiqueter la machine.**

 **AVERTISSEMI**

SURFACE CHAUDE

Peut causer des blessures graves. **Ne pas toucher. Attendre le refroidissement avant de réparer. Ne pas toucher le compresseur ou la tuyauterie chaude.**

 **AVERTISSEMI**

AIR SOUS PRESSION ÉLEVÉE

Le contournement, la modification ou le retrait de soupapes de sécurité/décharge peut causer des blessures graves ou la mort. **Ne pas contourner, modifier ou retirer les soupapes de sécurité/décharge. Ne pas diriger les ajutages d'air sur une personne. Les réservoirs corrodés peuvent occasionner une explosion et des blessures graves ou la mort. Vidanger le réservoir quotidiennement ou après chaque utilisation. La soupape de vidange se trouve au fond du réservoir.**

 **ATTENTION**

RISQUE D'ÉCLATEMENT

Utiliser seulement des pièces à manipulation d'air pouvant accepter des pressions non inférieures à la pression maximale de travail consentie par la machine.

INFORMATIONS RELATIVES À LA SÉCURITÉ

■ MESURES GÉNÉRALES DE SÉCURITÉ SUPPLÉMENTAIRES

- Le compresseur doit être utilisé dans des zones bien ventilées.
- Ne pas inhaler directement l'air comprimé.
- Ne pas pressuriser le réservoir receveur ou le récipient de nature similaire au-delà des limites théoriques.
- Ne pas utiliser de réservoirs receveurs ou des récipients de nature similaire qui ne satisferaient pas les exigences théoriques du compresseur. Pour obtenir des informations supplémentaires, contacter l'usine **Ingersoll Rand** ou le fournisseur de service le plus proche.
- Ne pas perforez, souder ou modifier de quelque manière que ce soit le réservoir receveur ou des récipients de nature similaire.
- Ne supprimez pas, n'ajustez pas, ne dérivez pas, ne changez pas, ne modifiez pas et ne remplacez pas les soupapes de sûreté/décharge ou d'autres dispositifs relatifs au contrôle de la pression.
- Ne pas utiliser d'outils ou accessoires pneumatiques sans avoir préalablement établi la pression maximale recommandée pour cet équipement.
- Ne pas pointer les buses d'air vers des personnes.
- Ne pas toucher la pompe du compresseur, le moteur ou la tuyauterie de décharge pendant ou juste après l'utilisation. Ces pièces peuvent être chaudes.
- Porter l'équipement de protection des yeux pour faire fonctionner ou entretenir le compresseur.
- Ne pas faire fonctionner en présence de liquides inflammables/explosifs ou de vapeurs toxiques comme l'essence, le gaz naturel et des solvants inflammables.
- Ne pas faire fonctionner avec les dispositifs de sécurité ou les boucliers enlevés, endommagés ou cassés.
- Ne pas retirer, peindre ou détériorer les vignettes. Remplacer toute vignette manquante.

INFORMATIONS GÉNÉRALES

L'unité du compresseur d'air est adaptée à l'utilisation de plusieurs outils pneumatiques. En fonction de votre application, les accessoires suivants peuvent être nécessaires :

- Un filtre de conduite à air pour retirer l'humidité et la vapeur d'huile dans l'air comprimé.
- Un lubrificateur en ligne pour prolonger la durée de vie des outils pneumatiques.

- Des transformateurs pneumatiques séparés qui associent les fonctions de régulation de l'air et/ou de retrait de l'humidité et de la saleté.

Contactez votre revendeur agréé le plus proche pour obtenir plus d'informations sur les outils pneumatiques et les accessoires pour votre application.

INSTALLATION

■ SÉLECTION DE L'EMPLACEMENT

■ GÉNÉRALITÉS

Sélectionnez un endroit propre, sec, bien éclairé, accessible et avec un débit d'air de refroidissement approprié pour assurer une ventilation adaptée. Placez l'unité à au moins 30 cm (12 pouces) des murs. Veillez à ce que l'unité soit sur une surface aussi plane que possible pour éviter les fuites de carburant.

■ TEMPÉRATURE

Les températures idéales de fonctionnement se situent entre 4 °C et 37,8 °C (40 °F et 100 °F). Dans de faibles températures, vous devez protéger les soupapes de sûreté/décharge, mais aussi les vannes de purge du gel.

■ LIEUX HUMIDES

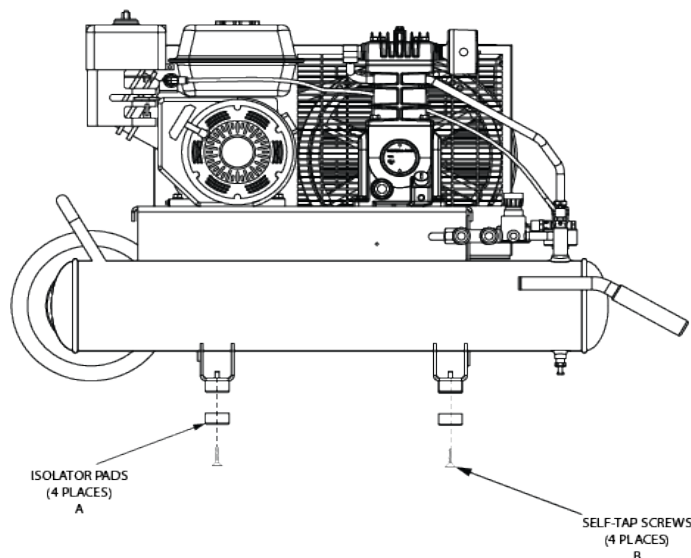
Dans un lieu qui est souvent humide, il est possible que de l'humidité se forme dans la pompe, entraînant la formation de boues dans le lubrifiant et l'usure prématurée des pièces mobiles. Une quantité excessive d'humidité aura tendance à se former si le compresseur est situé dans un lieu non chauffé qui est exposé à de grandes variations de température. Voici deux signes d'humidité excessive : la formation de condensation sur la paroi extérieure du compresseur qui refroidit et un lubrifiant à base de pétrole dont l'aspect est laiteux. On pourra empêcher la formation d'humidité dans la pompe en augmentant la ventilation, en faisant fonctionner l'appareil plus longtemps lors de chaque cycle ou en installant une trousse de chauffage du carter principal.

■ CONSIDÉRATIONS EN MATIÈRE DE BRUIT

Consultez les représentants locaux pour avoir plus d'informations relatives aux niveaux acceptables de bruit dans votre zone. Pour réduire un bruit excessif, utilisez des plots anti-vibration, des silencieux d'admission, déplacez l'unité ou les murs déflecteurs. Consultez votre revendeur local pour plus d'aide.

■ INSTALLATION DES COUSSINETS ISOLANTS

1. Installez les coussinets isolants (A) sur les quatre pieds avec des vis auto-taraudeuses (B).
2. Serrez les vis à la main.



■ INSTALLATION DU FILTRE D'ASPIRATION

ATTENTION!

Ne faites pas fonctionner sans filtre d'entrée d'air.

Installez le filtre d'entrée d'air au niveau du raccord d'entrée de la pompe nue. Si une filtration pour usage intensif est nécessaire, contactez votre distributeur pour obtenir plus d'informations.

■ INSTALLATION DE LA CANALISATION DE REFOULEMENT

Pour l'installation de canalisations de refoulement d'air et de condensat, observer les suivantes lignes guides générales. Communiquer avec votre distributeur pour des informations additionnelles.

AVERTISSEMI

N'utiliser nulle part dans le circuit d'air comprimé des tuyaux de plastique, des raccords soudés en cuivre, des tubes de caoutchouc ou des joints soudés à l'étain au plomb.

AVERTISSEMI

Si un refroidisseur de sortie, un clapet anti retour, un robinet de sélection ou toute autre restriction est ajoutée au circuit de refoulement du condensat, installer entre cette restriction et le compresseur une soupape de sûreté/décharge homologuée ASME ayant le format qui convient.

ATTENTION!

Si le lubrifiant utilisé est du lubrifiant synthétique pour compresseur, la tuyauterie et les composants en aval du circuit doivent être composés d'un matériau compatible. Se reporter à la liste de matériaux compatibles ci-dessous. Si votre système contient des matériaux incompatibles, ou pour des matériaux non inclus dans la liste, communiquer avec le distributeur

INSTALLATION

■ LUBRIFIANT SYNTHÉTIQUE POUR COMPRESSEUR LISTE DE COMPATIBILITÉ MATÉRIELLE

ADAPTÉ	NON RECOMMANDÉS
• Viton®	• Néoprène
• Teflon®	• Caoutchouc naturel
• Époxydes (chargés à la fibre de verre)	• Caoutchouc sbr
• Alkydes résistants aux huiles	• Peintures acryliques
• Fluorosilicones	• Laques
• Hydrocarbures fluorés	• Vernis
• Polysulfides	• Polystyrène
• Uréthanes à 2 composants	• PVC
• Nylon	• ABS
• Delrin®	• Polycarbonates
• Celcon®	• Acétate de cellulose
• Caoutchoucs à forte teneur en nitrile (buna-n. Nbr de plus de 36 % d'acrylonitrile)	• Caoutchoucs à faible teneur en nitrile (Buna N. NBR de moins de moins de 36 % d'acrylonitrile)
• Polyuréthane	• EPDM
• Polyéthylène	• Acétate de vinyle et d'éthylène
• Épichlorhydrine	• Latex
• Polyacrylate	• Caoutchoucs éthylène-propylène (EPR)
• Mélamine	• Acryliques
• Polypropylène	• Résines phénoxy
• Résines phénoliques cuites	• Polysulfones (PSF)
• Époxydes	• Styène-acrylonitrile
• Alkydes modifiés (® marque déposée de dupont corporation)	• Butyle

■ EXIGENCES GÉNÉRALE

La tuyauterie, les raccords, le réservoir, etc. doivent être homologués pour fonctionner à la pression maximale de service de l'unité. Utiliser des tubes d'acier ou de cuivre à filetage ou à soudage fort et des raccords en fonte dont l'homologation convient à la pression et à la température de refoulement du compresseur. **NE PAS UTILISER DE PLASTIQUE PVC DANS LA CONDUITE DE REFOULEMENT D'AIR COMPRIMÉ.** Utiliser un matériau d'étanchéité sur tous les filetages de la tuyauterie et bien serrer les joints afin de prévenir toute fuite d'air.

■ CANALISATIONS DE REFOULEMENT DU CONDENSAT

Si une canalisation de refoulement du condensat doit être installée, s'assurer que le diamètre de ses tuyaux est supérieur à celui du raccord d'au moins une catégorie, que son circuit est le plus court et le plus direct possible, qu'elle est fixée solidement en place et qu'elle est dirigée vers un point de purge convenable. Le condensat doit être éliminé en conformité avec les lois et règlements en vigueur au niveau municipal, provincial et fédéral.

AVIS

Tous les systèmes à air comprimé produisent du condensat s'accumulant dans un point de vidange (p. ex. réservoirs, filtres, points de purge, refroidisseurs de sortie, sécheurs). Ce condensat contient de l'huile lubrifiante et/ou des substances réglementées qui doivent être enlevées selon les lois et les règlements municipaux, provinciaux et fédéraux.

INSTALLATION

■ LUBRIFICATION DU COMPRESSEUR



ATTENTION

Ne pas faire fonctionner le compresseur sans lubrifiant ou avec un lubrifiant qui ne convient pas. Ingersoll Rand décline toute responsabilité pour les pannes du compresseur causées par une lubrification inadéquate.

■ LUBRIFIANT SYNTHÉTIQUE

Nous recommandons d'utiliser le lubrifiant synthétique **Ingersoll Rand** pour compresseurs dès la mise en marche. Pour de plus amples renseignements concernant la garantie prolongée, se reporter à la section GARANTIE.

■ LUBRIFIANTS DE RECHANGE

On peut utiliser un lubrifiant XL-300 ou à base de pétrole comparable à condition qu'il soit de qualité supérieure, qu'il ne contienne aucun détergent, qu'il contienne comme additifs seulement des agents antirouille, antioxydants et antimousse, que son point d'inflammation soit de 227 °C (440 °F) ou plus et que sa température d'inflammation spontanée soit de 343 °C (650 °F) ou plus.

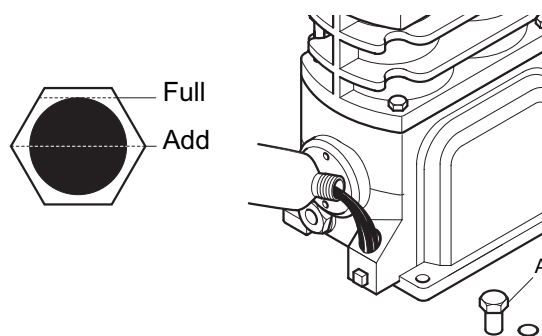
Se reporter ci-dessous au tableau de viscosité des lubrifiants à base de pétrole. Il est fourni exclusivement à titre d'information. Des conditions de marche rigoureuses nécessitent une viscosité plus élevée. Consultez les conditions de fonctionnement spécifiques Ingersoll Rand pour obtenir des recommandations.

Température autour du compresseur		Viscosité at 100°F (37.8 °C)		Catégorie de Viscosité	
°F	°C	SUS	Centistokes	ISO	SAE
< 40	< 4.4	150	32	32	10
40-80	4.4-26.7	500	110	100	30
80-125	26.7-51.0	750	165	150	40

Si vous utilisez un lubrifiant pour compresseurs à base de pétrole dès le début, puis que vous décidez plus tard de passer au lubrifiant All Season Select, la pompe doit être décarbonisée et rincée avant le changement. Contactez **Ingersoll Rand** pour plus d'informations.

■ PROCÉDURES DE REMPLISSAGE:

1. Dévisser et enlever le bouchon du réservoir à huile (A).
2. Remplissez lentement le carter de lubrifiant, jusqu'à ce que le lubrifiant atteigne le filet inférieur de l'orifice de remplissage d'huile et le niveau supérieur du regard. Remarque : la capacité du carter est de 0,5 litre (une [1] pinte).
3. Refermer le bouchon d'huile et le **SERRER SEULEMENT AVEC LES MAINS**.



■ LUBRIFICATION DU MOTEUR ET CARBURANT



ATTENTION!

Ne faites pas fonctionner sans lubrifiant ou avec du lubrifiant non adapté. Ingersoll Rand n'est pas responsable des défaillances du moteur causées par une lubrification non adaptée.

Veuillez vous référer au manuel d'utilisation du moteur fourni avec l'appareil pour connaître les exigences de lubrification du moteur et les besoins en carburant.

OPÉRATION

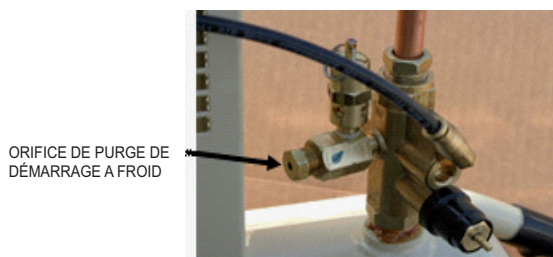
■ GÉNÉRALITÉS

Le compresseur pneumatique est conçu pour un fonctionnement en continu à 100 % avec l'utilisation d'un lubrifiant synthétique All Season Select d'Ingersoll Rand et un fonctionnement en continu à 60 % avec l'utilisation d'un lubrifiant à base de pétrole. Le lubrifiant pétrolier limite le compresseur à un maximum de 36 minutes de temps de pompage par heure. La limite de cyclage de la pompe est 10 cycles par heure.

■ DÉMARRAGE NORMAL

■ MISE EN SERVICE

1. Tournez le bouton de réglage du régulateur dans le sens anti-horaire jusqu'à ce qu'il soit entièrement fermé.
2. Fixez le tuyau et l'accessoire.
3. Cette centrale de compresseur est équipée d'une nouvelle vanne de régulation automatique, il n'est donc plus nécessaire d'activer la vanne manuellement pour démarrer le moteur. En outre, le régulateur automatique est équipé d'une fonctionnalité de « Démarrage à froid » représentée sur l'illustration ci-dessous. Cette vanne purge l'air présent dans le flux d'air d'évacuation du compresseur au cours du démarrage du moteur, ce qui permet de réduire les exigences de couple du démarrage du moteur. Ces vannes sont particulièrement utiles sur des pompes de compresseur lubrifiées à l'huile qui peuvent être exposées à des températures basses. Lorsque la pression de la conduite d'évacuation est égale à zéro, la vanne de démarrage à froid s'ouvre. Alors que le moteur démarre, l'air s'échappe de l'orifice de purge du Démarrage à froid dans l'atmosphère ; lorsque la pression d'évacuation augmente, l'orifice de purge se ferme et reste fermé jusqu'à la fin du cycle de pompage. Au cours d'un fonctionnement normal, un débit d'air négligeable peut être ressenti sur l'orifice de purge du Démarrage à froid. Ceci n'est pas préoccupant.



4. Suivez les instructions du manuel d'utilisation du moteur pour savoir comment démarrer et utiliser le moteur.
5. En utilisant le manomètre du réservoir comme référence, laissez la pression du réservoir atteindre la pression maximale.

⚠ ATTENTION

Un bruit ou des vibrations non habituels indiquent la présence d'un problème.. Ne continuez pas à utiliser l'unité tant que vous n'avez pas identifié et corrigé la source du problème. EN CAS D'URGENCE, ARRÊTEZ IMMÉDIATEMENT.

AVIS

Lorsque le réservoir atteint la pression de disjonction, le compresseur cesse de pomper, mais le moteur continue à fonctionner. Lorsque la pression du réservoir receveur chute en dessous du minimum prédéfini en usine, le compresseur recommence à pomper et le réservoir atteint la pression de disjonction.

6. Tournez le bouton de réglage du régulateur dans le sens horaire afin d'obtenir la pression souhaitée, indiquée par le manomètre du régulateur.

■ ARRÊT

1. Suivez les instructions du manuel d'utilisation du moteur pour savoir comment arrêter le moteur.
2. Tournez le bouton de réglage du régulateur dans le sens anti-horaire jusqu'à ce qu'il soit entièrement fermé.
3. Retirez l'accessoire.
4. Tournez lentement le bouton de réglage du régulateur dans le sens horaire pour permettre à l'air de s'échapper du réservoir. Lorsque le manomètre du réservoir indique 20 psig, tournez le bouton de réglage du régulateur dans le sens anti-horaire jusqu'à ce qu'il soit complètement fermé.
5. Ouvrez manuellement et lentement la vanne de purge pour évacuer l'humidité du réservoir, ainsi que l'air restant.
6. Fermez la vanne de purge manuellement.
7. Mettez la vanne d'arrêt du carburant en position d'arrêt avant de transporter l'unité.

ENTRETIEN

⚠ AVERTISSEMI

Débranchez le fil de l'orifice de la bougie du moteur et relâchez la pression de l'air du réservoir avant de procéder à l'entretien.

AVIS

Tous les systèmes d'air comprimé comportent des éléments (par ex. l'huile lubrifiante, les filtres, les séparateurs) qui sont remplacés périodiquement. Ces éléments peuvent être ou peuvent contenir des substances réglementées qui doivent être éliminées en conformité avec les lois et les règlements en vigueur au niveau municipal, provincial et fédéral.

AVIS

Lors du démontage, prendre note de la position et de l'emplacement des pièces afin de faciliter leur assemblage éventuel. Les séquences d'assemblage ainsi que les pièces figurant dans les illustrations peuvent ne pas correspondre à votre appareil.

AVIS

Suivez le manuel d'utilisation du moteur pour connaître les programmes et les procédures d'entretien du moteur.

AVIS

Tout entretien ne figurant pas dans la présente section doit être effectué par un agent d'entretien autorisé.

PÉRIODE	ENTRETIEN
Pétrole - 3/500* Synthétique - 12/2000*	Nettoyer l'extérieur.
	Vidanger le lubrifiant A base de pétrole pendant que le carter principal est encore tiède
	Vidanger le lubrifiant à base de pétrole pendant que le carter principal est encore tiède.
	Remplacer l'élément filtrant.

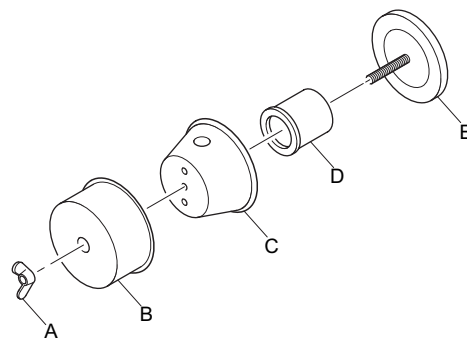
* - indique les mois/heures de fonctionnement, selon la première échéance atteinte

■ REMPLACEMENT DU FILTRE

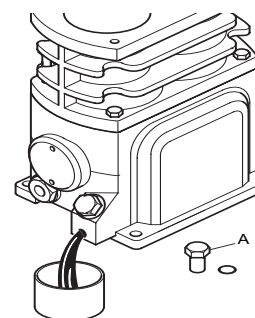
- Dévisser et retirer l'écrou à ailettes (A).
- Détacher le capot du filtre (B), qui tient le capot du filtre (C) et retirer l'élément filtrant (D) en place sur la base (E).
- Installer un nouvel élément et remontez l'ensemble de filtre.

AVIS

Les trous d'aspiration dans le deflecteur et le capot doivent être décalés à 180°. Pendant l'installation de l'assemblage à la connexion d'aspiration, s'assurer que le trou dans le capot est à bas afin de minimiser l'entrées d'impuretés de l'air.

**■ CHANGEMENT DE L'HUILE DE LA POMPE DU COMPRESSEUR**

- Ouvrir le bouchon de vidange d'huile (A) et laisser le lubrifiant s'écouler dans un contenant propre.
- Refermer le bouchon de vidange d'huile.
- Suivre les directives de remplissage de la section MODE D'EMPLOI.



PÉRIODE	ENTRETIEN
Tous les jours ou avant chaque mise en marche	Vérifier le niveau de lubrifiant. Remplir au besoin.
	Vidanger le réservoir de condensat. Ouvrir le purgeur manuel. Capturer le condensat et l'éliminer de la manière appropriée.
	Vérifier si l'appareil émet un bruit ou des vibrations inhabituels.
	Assurez-vous que les capots et garde-courroies sont bien positionnés.
Hebdomadaire/mensuel	S'assurer que l'espace autour du compresseur ne comporte pas de chiffons, d'outils, de débris et de matières inflammables ou explosives.
	Inspecter les éléments filtrants du filtre d'aspiration. Les nettoyer au besoin.
	Vérifier s'il y a des fuites d'air. Asperger de l'eau savonneuse autour des joints pendant que le compresseur est en marche et vérifier si des bulles se forment.
	S'assurer que les vis et les boulons sont bien serrés. Les serrer au besoin.

DÉPANNAGE

Cette section fournit une liste des dysfonctionnements les plus fréquemment rencontrés, leur cause et présente des mesures correctives. Certaines mesures correctives peuvent être effectuées par l'opérateur ou le personnel d'entretien, alors que d'autres peuvent nécessiter l'aide d'un technicien Ingersoll Rand qualifié ou de votre revendeur.

AVIS

Veillez consulter le manuel d'utilisation du moteur pour en savoir plus sur le dépannage du moteur.

PROBLÈME	POINTS DE CONTRÔLE	PROBLÈME	POINTS DE CONTRÔLE
Usure anormale des pistons, des segments ou des cylindres	4, 7, 8, 14, 19, 26	Consommation d'huile élevée	1, 4, 8, 13, 14, 15, 17, 22
Chute de l'approvisionnement en air	1, 5, 6, 11, 13, 14, 20	Bruits de cognement ou claquements	2, 11, 12, 14, 15, 16
L'unité ne monte pas en vitesse	2, 6, 11, 16	Humidité dans le carter ou aspect « laiteux » du lubrifiant de pétrole ou formation de rouille dans les cylindres	8, 9
L'unité est lente à monter en vitesse	6, 18, 21	Huile dans l'air de décharge (pompage de pétrole)	4, 8, 13, 14, 22, 23
L'unité est extrêmement chaude	3, 10, 11	Fuite d'huile au niveau du joint de l'axe	17
Bruit excessif pendant le fonctionnement	2, 6, 7, 11, 12, 16, 18	La soupape de sûreté/décharge s'ouvre	1, 11, 20
Cycles marche-arrêt trop fréquents	5, 18, 23		

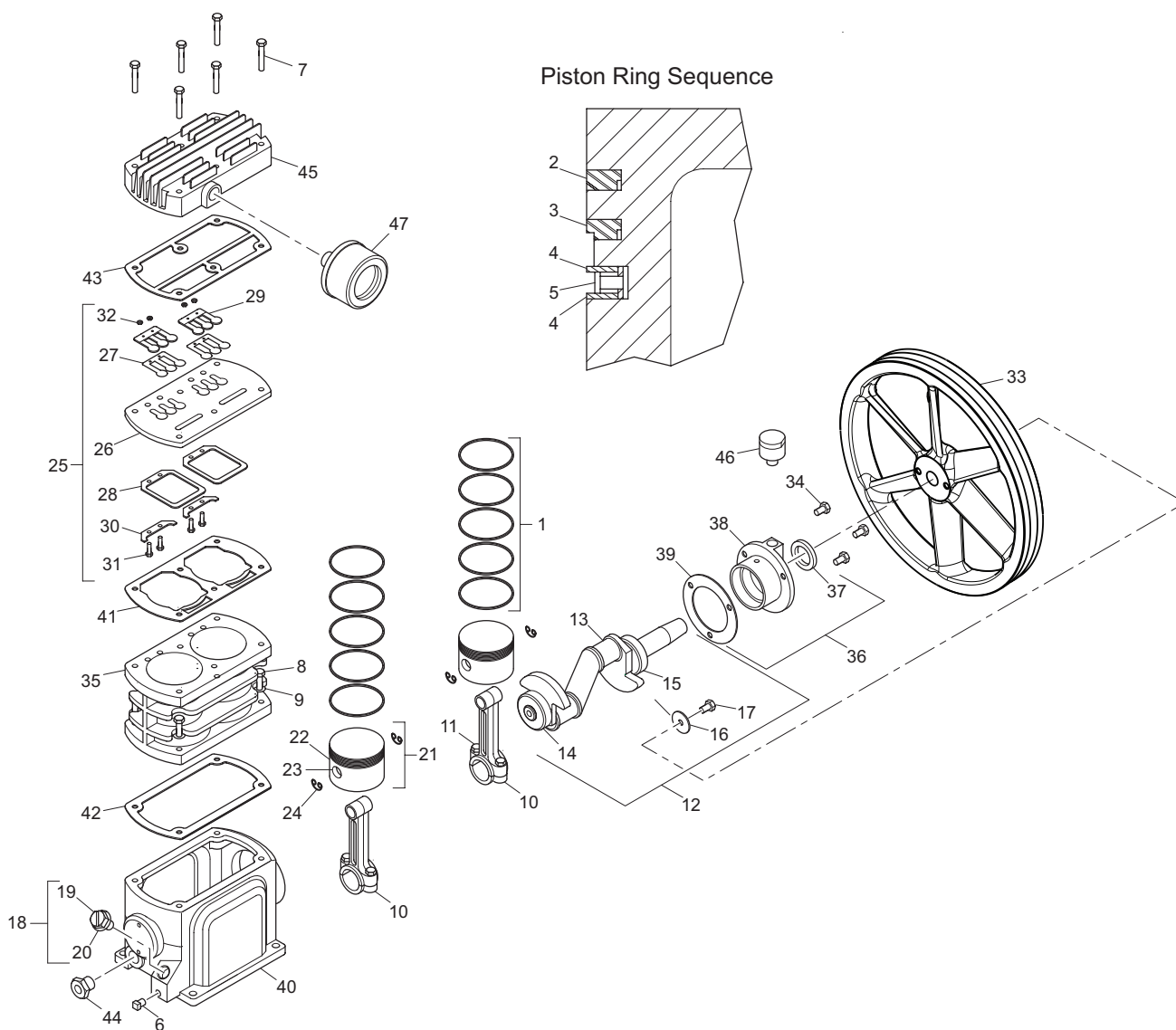
POINTS DE CONTRÔLE	CAUSE POSSIBLE	SOLUTION POSSIBLE
1	Filtre sale à l'aspiration et/ou au refoulement.	Nettoyer ou remplacer.
2	Poulie motrice ou volant de courroie mal serré, trop de jeu dans l'arbre moteur ou courroies d'entraînement laches.	Vérifier le volant, la poulie motrice, le vilebrequin, la tension et l'alignement de la courroie d'entraînement. Réparer ou remplacer au besoin.
3	Ventilation insuffisante autour du volant de la courroie.	Déplacer le compresseur pour un débit d'air amélioré.
4	Viscosité trop faible du lubrifiant.	Vidanger le lubrifiant actuel et le remplacer par un lubrifiant qui convient.
5	Fuites d'air dans les canalisations de refoulement.	Vérifier les tubes et les raccords.
6	Viscosité trop élevée du lubrifiant.	Vidanger le lubrifiant actuel et le remplacer par un lubrifiant qui convient.
7	Niveau de lubrifiant trop faible.	Verser du lubrifiant dans le carter principal jusqu'au niveau requis.
8	Le lubrifiant utilisé est du type détergent.	Vidanger le lubrifiant actuel et le remplacer par un lubrifiant qui convient.
9	Cycles de marche extrêmement légers. Le compresseur est situé dans un lieu humide.	Faire fonctionner le compresseur par cycles plus longs. Déplacer le compresseur.
10	Courroies d'entraînement trop lâches ou mal alignées.	Ajuster les courroies pour leur donner la tension et l'alignement qui convient.
11	Fuites, bris ou accumulation de calamine dans les clapets du compresseur.	Inspecter les clapets. Les nettoyer ou les remplacer au besoin.
12	Accumulation de calamine sur le fond des pistons.	Nettoyer les pistons. Les réparer ou les remplacer au besoin.
13	Joint de piston endommagé ou usé (cassé, irrégulier ou abîmé). Coupe ou dégagement latéral trop grand. Les segments sont hors de leur logement ou coincés dans leurs gorges ou leurs coupes ne sont pas décalées.	Installer une trousse de rechange segments et joints. Ajuster les segments.

DÉPANNAGE

POINTS DE CONTRÔLE	CAUSE POSSIBLE	SOLUTION POSSIBLE
14	Les cylindres ou les pistons sont égratignés, usés ou entaillés.	Reparer ou remplacer au besoin.
15	Une bielle, un axe de piston ou des paliers du maneton sont usés ou entaillés.	Tout inspecter. Réparer ou remplacer au besoin.
16	Paliers à billes défectueux sur le vilebrequin ou l'arbre moteur.	Inspecter les paliers et les remplacer au besoin.
17	Le joint d'huile est usé ou le vilebrequin est entaillé.	Remplacer le joint ou le vilebrequin.
18	Fuite de la soupape de sûreté ou siège de soupape usé.	Remplacer la soupape de sûreté.
19	Atmosphère chargée de poussières.	Installer une canalisation d'aspiration à distance et l'acheminer vers une source d'air propre. Installer un système de filtration plus efficace.
20	Soupape de sûreté et de décharge défectueuse.	Remplacer
21	La température de l'air ambiant est trop faible.	Remplacer le compresseur dans un lieu plus chaud. Convertir à un lubrifiant synthétique
22	Paroi de cylindre usée.	Roder le cylindre à l'aide d'un rodoir flexible de 180 grains.
23	Trop de condensat dans le réservoir.	Purger le réservoir à l'aide du purgeur manuel.

SCHÉMA ET LISTE DES PIÈCES DE L'ENSEMBLE DE POMPE DU COMPRESSEUR NU SS3

■ POMPE DU COMPRESSEUR NU MODÈLE SS3.



NOTE:

- Item 12 includes Item 13, 14, 15, 16 and 17
- Item 18 includes Item 19 and 20
- Item 21 includes Item 22, 23 and 24
- Item 25 includes Item 26, 27, 28, 29, 30, 31 and 32
- Item 36 includes Item 37, 38 and 39

SCHÉMA ET LISTE DES PIÈCES DE L'ENSEMBLE DE POMPE DU COMPRESSEUR NU SS3

Élément	CCN	DESCRIPTION	QTÉ.
REF.	18002378	COMPRESSEUR NU	-
1†	32307092	JEU DE SEGMENTS	2
2	NSS	• ISEGMENT DE COMPRESSION	1
3	NSS	• ISEGMENT RACLEUR A EPAULEMENT	1
4	NSS	• ISEGMENT D'ESPACEMENT	2
5	NSS	SEGMENT RACLEUR A FENTES	1
6	95033585	BOUCHON DE VIDANGE D'HUILE	1
7	96715784	VIS D'ASSEMBLAGE (BOULON DE CULASSE)	6
8	96716113	VIS D'ASSEMBLAGE (BOULON DE CYLINDRE)	4
9	96728316	RONDELLE A RESSORT M8	4
10	97330427	ENSEMBLE BIELLE	2
11	96702246	• IVIS D'ASSEMBLAGE	2
12	97338081	ENSEMBLE DE VILEBREQUIN	1
13	NSS	• IVILEBREQUIN	1
14	NSS	• IPALIER PRINCIPAL	1
15	NSS	• IPALIER A BILLES	1
16	54375977	• IRONDELLE M8	1
17	54440045	• IVIS D'ASSEMBLAGE FILETEE A GAUCHE	1
18	49812050	ENSEMBLE DE BOUCHON DE REMPLISSAGE D'HUILE	1
19	NSS	• IBOUCHON DE REMPLISSAGE D'HUILE	1
20	95024394	• IJOINT TORIQUE DE BOUCHON DE REMPLISSAGE D'HUILE	1
21	97330468	ENSEMBLE DE PISTON ET AXE	2

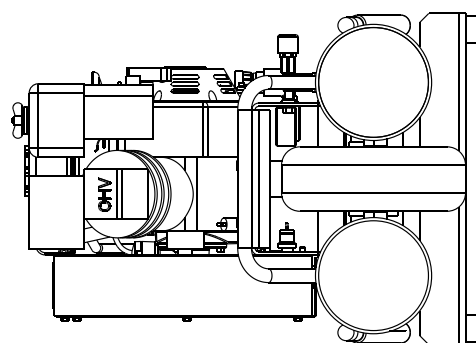
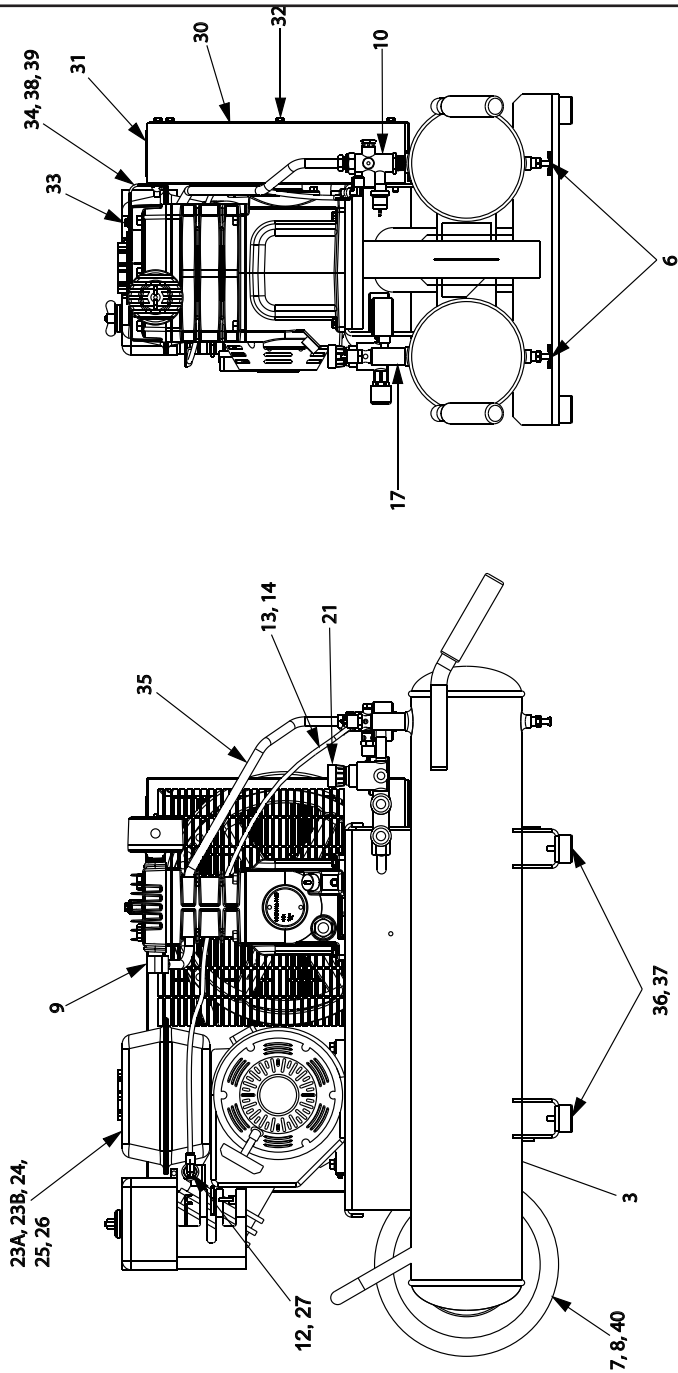
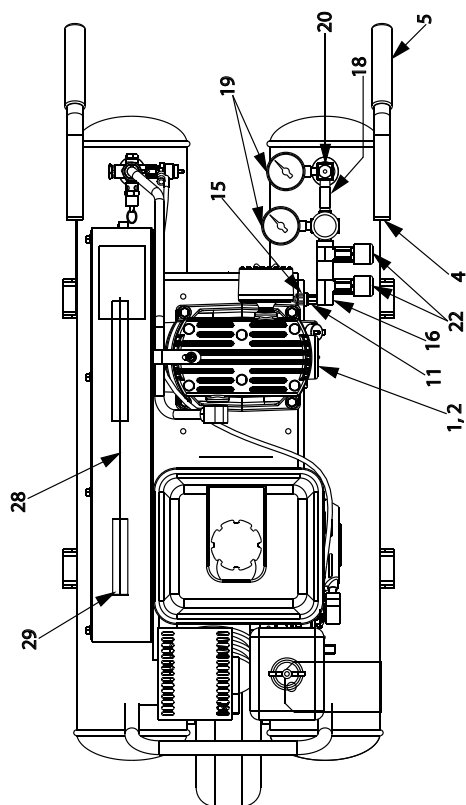
Élément	CCN	DESCRIPTION	QTÉ.
22	NSS	• IPISTON	1
23	NSS	• IAXE DE PISTON	1
24	NSS	• ICIRCLIP	2
25**	97330484	CLAPET	1
26	NSS	• IPLAQUE DE CLAPET	1
27	NSS	• ICLAPET DE REFOULEMENT	2
28	NSS	• ICLAPET D'ASPIRATION	2
29	NSS	• IBUTEE DE REFOULEMENT	2
30	NSS	• IVOLET DE RETENUE D'ASPIRATION	2
31	NSS	• IVIS A TETE HEX.	4
32	NSS	• IECROU HEX. AVEC RONDELLE DE BLOCAGE	4
33	24655631	VOLANT D'ENTRAINEMENT	1
34	97330500	VIS D'ASSEMBLAGE (BOULON DE CARTER)	3
35	97330625	CYLINDRE	1
36	97338073	ENSEMBLE DE CARTER	1
37	32204521	• IJOINT D'ARBRE	1
38	NSS	• ICARTER	1
39	97331227	• IJOINT DE CARTER	1
40	97330641	CHASSIS DE COMPRESSEUR	1
41**	97330658	JOINT DE PLAQUE DE CLAPET	1
42†	97330666	JOINT DE CYLINDRE	1
43**	54571609	JOINT DE CULASSE	1
44	97330682	VISEUR	1
45	97330690	CULASSE	1
46	70243936	ENSEMBLE D'EVENT	1
47	70243399	FILTRE D'ASPIRATION	1
NI	70243712	• IELEMENT FILTRANT	1

NSS NON VENDU SEPARMENT

** VENDU SEPARIMENT OU DANS L'ENSEMBLE DE CLAPETS 97338107

† VENDU SEPARMENT OU DANS L'ENSEMBLE DE SEGMENTS 97338115

LISTE DES PIÈCES DE LA POMPE DU COMPRESSEUR NU SS3



LISTE DES PIÈCES DE LA POMPE DU COMPRESSEUR NU SS3

Élément	CCN	DESCRIPTION	QTÉ.
1	18002378	POMPE, COMPRESSEUR NU	1
2	56290794	VIS	4
3	22866552	RÉSERVOIR RECEVEUR	1
4	54394036	CAPUCHON DE PRISE	2
5	97171060	POIGNÉE	2
6	32027120	ROBINET DE VIDANGE MANUELLE	2
7	54389572	AXE	1
8	54506001	ROUE	1
9	95040184	COUDE, TUYAU 1/2 X 3/8	1
10	47600594001	ENSEMBLE DE VANNE DE DÉCHARGEUR	1
11	18007138	GOUGON, COLLECTEUR SS3 WHEELBAR	1
12	39155577	COUDE	2
13	97265912	TUYAU DÉCHARGEUR	1
14	97182240	ENTRÉE DU TUYAU EN NYLON	2
15	39128566	ÉCROU	1
16	18007112	CORPS, ENSEMBLE COLLECTEUR	1
17	18007120	RACCORD, ENSEMBLE COLLECTEUR	2
18	95871463	MAMELON	1
19	54494075	MANOMÈTRE	2
20	97010094	SOUPAPE DE SÛRETÉ	1

Élément	CCN	DESCRIPTION	QTÉ.
21	37992849	RÉGULATEUR DE PRESSION	1
22	32238354	COUPLEUR	2
23A	97339451	MOTEUR (HONDA)	1
23B	47617263001	MOTEUR (KOHLER)	1
24	58879461	CAPVIS	4
25	54391545	ÉCROU	4
26	95094389	CLÉ	1
27	47619810001	ACTIONNEUR, RALENTISSEMENT PETITS MOTEURS SS3J5.5GH-WB	1
28	32205601	COURROIE	1
29	22921860	POULIE À GORGE	1
30	54459508	GARDE-COURROIE, AVANT	1
31	54459516	GARDE-COURROIE, ARRIÈRE	1
32	97173595	CAPVIS	14
33	56280159	VIS	1
34	54640032	TIRANT, GARDE- COURROIE	1
35	49812324	TUYAU DÉCHARGEUR VERS POMPE	1
36	97175343	COUSSINET ISOLANT	4
37	97175350	VIS	4
38	32175564	VIS	1
39	39128541	ÉCROU	1
40	54657218	ÉCROU	1

TROUSSES ET ACCESSOIRES

■ GARANTIE ÉTENDUE KIT

Chaque kit de garantie étendue contient des filtres à air et suffisamment de lubrifiant toutes saisons pour deux années de fonctionnement.

N° DE PIÈCE	DESCRIPTION
47623376001	KIT, GARANTIE ÉTENDUE (KOHLER)
97339501	KIT, GARANTIE ÉTENDUE (HONDA)

■ LUBRIFIANT SYNTHÉTIQUE INGERSOLL RAND POUR COMPRESSEURS

N° DE PIÈCE	DESCRIPTION
97338131	LUBRIFIANT. BOUTEILLE DE 0.5L
38436721	LUBRIFIANT. BOUTEILLE DE 1L

■ ÉLÉMENT DE FILTRE D'AIR

N° DE PIÈCE	DESCRIPTION
70243712	ÉLÉMENT DE FILTRE D'AIR

■ TROUSSES D'ENTRETIEN RAPIDE

Les TrousSES d'entretien rapide contiennent toutes les pièces pour l'entretien standard comme le remplacement des segments de piston et le remplacement des soupapes.

N° DE PIÈCE	DESCRIPTION	CONTENU
97338107	TROUSSE, SEGMENT/JOINT	Pièces d'usure des soupapes et joints de culasse détruits pendant le remplacement des pièces de soupape.
97338115	TROUSSE, SEGMENT/JOINT	Jeu complet de segments de piston, joint de vilebrequin, et joints détruits pendant le démontage de l'unité pour le remplacement des segments.

■ TROUSSE DE CHAUFFAGE DU CARTER PRINCIPAL

L'insalation de trousse de chauffage du carter principal est conseillée pour les environnements avec des températures régulièrement au-dessous de 32°F (0°C). La trousse externe d'installation facile d'un rechauffeur du carter principal est fournie pour utilisation post-vente.

N° DE PIÈCE	DESCRIPTION
97330385	TROUSSE, CHAUFFAGE DU CARTER PRINCIPAL

■ TUYAUX D'AIR A FONCTION MULTIPLE

Ces assemblages de tuyaux d'air sont des tuyaux de grand puissance, légers conGus pour une pression de travail de 300 PSIG.

N° DE PIÈCE	DESCRIPTION
32323750	TUYAU, Air - 3/8" x 25' (1/4" Male NPT)
32323768	TUYAU, Air - 3/8" x 50' (1/4" Male NPT)
32323776	TUYAU, Air - 3/8" x 100' (1/4" Male NPT)

■ PIÈCES MOTEUR

N° DE PIÈCE	DESCRIPTION
32498552	HUILE, MOTEUR - QUART
47629343001	FILTRE COMPLET 5,5HP (KOHLER)
54405071	ÉLÉMENT, FILTRE À AIR MOTEUR (HONDA)

GARANTIE ET LIMITATION DE RESPONSABILITÉ

■ GARANTIE

La société **Ingersoll Rand** garantit que l'équipement fabriqué et livré par les présentes ne comporte aucun défaut de matériel ou de malfaçon et ce pendant une période douze (12) mois à partir de la date de mise en service de l'équipement ou de dix-huit (18) mois à partir de la date de livraison, selon la première éventualité. Cette période de garantie s'appliquera à tout équipement, sauf les suivants

1. Pour les compresseurs achetés avec un kit de garantie étendue qui sont exploités uniquement avec le lubrifiant synthétique d'**Ingersoll Rand** fourni dans le kit, les compresseurs seuls seront garantis pendant les vingt-quatre (24) mois précédents à partir de la date de fonctionnement initial ou trente (30) mois à partir de la date d'expédition.
2. les pièces de rechange seront garanties pendant six (6) mois à partir de la date de livraison.

Si la société est avisée par écrit d'une violation des dispositions de la présente garantie à l'intérieur de la période requise, alors la société s'engage, à son gré, à y remédier soit en réparant correctement l'équipement, soit en fournissant une pièce de rechange FAB du point d'origine, pourvu que l'acheteur ait installé, exploité et entretenu l'équipement conformément aux pratiques acceptées de l'industrie et qu'il ait suivi les recommandations particulières de la société. Les accessoires et les équipements fournis par la société mais fabriqués par un tiers seront protégés par la garantie obtenue du tiers par **Ingersoll Rand** et ayant pu être cédée à l'acheteur. La société ne sera en aucun cas tenue responsable des réparations, des remplacements ou des réglages effectués à l'équipement ou du coût de main-d'oeuvre engagé par l'acheteur sans l'autorisation écrite préalable de la société.

La société ne fait aucune garantie quant à la performance, exception faite des déclarations particulières faites dans sa proposition. Les effets de la corrosion, de l'érosion ainsi que de l'usure normale sont explicitement exclus des protections assurées par la garantie. Si des garanties de performance ont été explicitement incluses, alors les obligations de la société seront limitées à assurer un correctif de la manière et durant la période précisées ci-dessus.

L'ENTREPRISE NE FAIT AUCUNE AUTRE GARANTIE OU REPRÉSENTATION D'AUCUNE SORTE, EXPRESSE OU IMPLICITE, SAUF CELLE DU TITRE, ET TOUTES LES GARANTIES IMPLICITES DE QUALITÉ MARCHANDE ET D'ADAPTATION À UN USAGE PARTICULIER SONT DÉCLINÉES PAR L'ENTREPRISE.

La correction par la société de tout vice, qu'il soit apparent ou caché, de la manière et pendant la période établie ci-dessus, constituera l'accomplissement de toutes les responsabilités de la société et de ses distributeurs en vertu de tout vice qui concerne l'équipement ou qui en découle..

■ LIMITATION DE RESPONSABILITÉ

LES RECOURS DE L'ACHETEUR EN VERTU DE LA PRÉSENTE SONT EXCLUSIFS ET LA RESPONSABILITÉ TOTALE DE LA SOCIÉTÉ, DE SES DISTRIBUTEURS ET DE SES FOURNISSEURS EN CE QUI CONCERNE L'EXÉCUTION OU LA VIOLATION DU CONTRAT OU DE L'ÉQUIPEMENT ET DES SERVICES FOURNIS, OU EN CE QUI CONCERNE LA FABRICATION, LA VENTE, LA LIVRAISON, L'INSTALLATION, LA RÉPARATION OU LA DIRECTION TECHNIQUE PRÉVUE AU CONTRAT OU FOURNIE EN VERTU DE CE DERNIER, QUE CE SOIT EN VERTU D'UN CONTRAT, D'UNE GARANTIE, DE LA NÉGLIGENCE, D'UNE INDEMNISATION, DE LA RESPONSABILITÉ STRICTE OU AUTREMENT, NE POURRA PAS DÉPASSER LE PRIX D'ACHAT DE L'UNITÉ D'ÉQUIPEMENT SUR LAQUELLE LA RESPONSABILITÉ EST FONDÉE.

LA SOCIÉTÉ, SES DISTRIBUTEURS ET SES FOURNISSEURS NE SERONT DANS AUCUNE ÉVENTUALITÉ TENUS RESPONSABLES ENVERS L'ACHETEUR, SES AYANTS DROIT, SES BÉNÉFICIAIRES OU SES CESSIONNAIRES EN VERTU D'UN CONTRAT DES DOMMAGES-INTÉRÊTS INDIRECTS, ACCESSOIRES, FORTUITS, PARTICULIERS OU EXEMPLAIRES SURVENANT EN VERTU DU PRÉSENT CONTRAT OU DE SA VIOLATION OU D'UN DÉFAUT, D'UNE DÉFECTUOSITÉ OU D'UNE ANOMALIE DE L'ÉQUIPEMENT, QU'ILS SOIENT FONDÉS SUR LA PERTE DE JOUISSANCE, LA PERTE DE PROFITS OU DE REVENUS, L'INTÉRÊT, LA PERTE D'ACHALANDAGE, L'ARRÊT DU TRAVAIL, LES DOMMAGES À D'AUTRES BIENS, LES PERTES EN RAISON D'UN ARRÊT DE FONCTIONNEMENT, L'ACCROISSEMENT DES DÉPENSES D'EXPLOITATION, LE COÛT D'ACHAT D'UNE ALIMENTATION DE RECHANGE OU LES RÉCLAMATIONS DE CLIENTS OU D'ACHETEURS DE CLIENTS EN RAISON D'UNE INTERRUPTION DE SERVICE, PEU IMPORTE QUE TELLE PERTE OU QUE DE TELS DOMMAGES SOIENT FONDÉS SUR UN CONTRAT, UNE GARANTIE, UNE NÉGLIGENCE, UNE INDEMNITÉ, UNE RESPONSABILITÉ STRICTE OU AUTREMENT



A series of horizontal lines spanning the width of the page, providing a template for writing.

