

Works for Jandorf Candelabra Sockets:

#60228 – Adjustable 3 1/4" – 4 3/4" Keyless
 #60229 – 2" Keyless

What's Inside

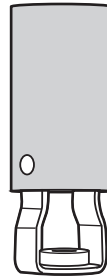
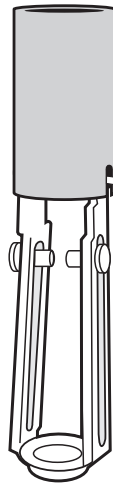
2 – Keyless Candelabra Sockets
 (Rated 75W-125V) with 1/8 IP Hickey

What's Needed

Screwdriver
 Wire Stripper

What's Its Purpose

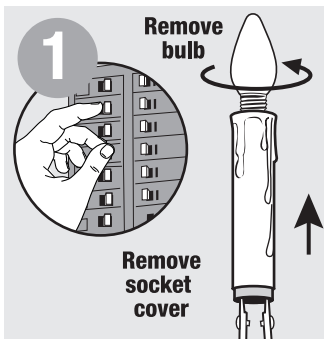
Socket for candelabra base bulbs.



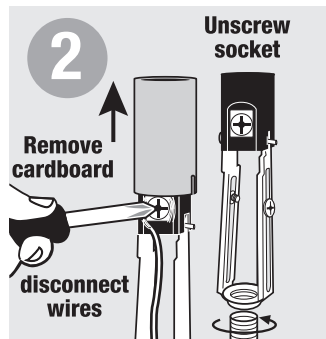
Warning

- Before beginning **TURN OFF POWER** to the light from the fuse or circuit breaker.
- Follow local electrical regulations or codes when installing and using this product.
- Deviation from the assembly instructions may result in a **risk of fire or electric shock**.

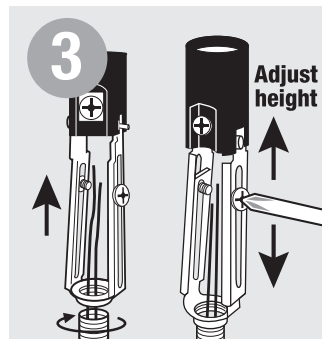
Use only with #16 or #18 AWG stranded copper wire.



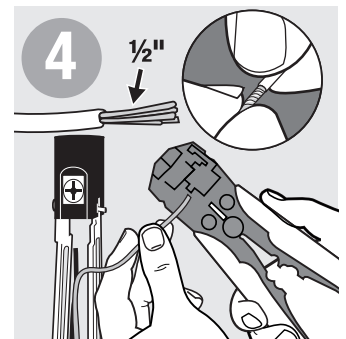
Before beginning **TURN OFF POWER** to the light from the fuse or circuit breaker. Remove shade, reflector, light bulb and socket cover.



Remove old socket by removing cardboard and disconnecting wires, then unscrewing.



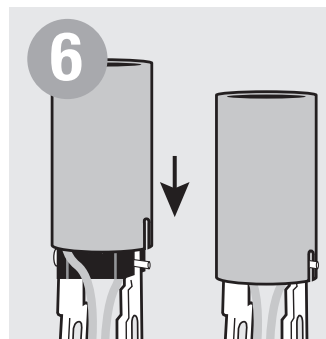
Feed wires through new socket and screw socket in. If adjustable socket, unscrew side bracket screws to adjust height. Tighten.



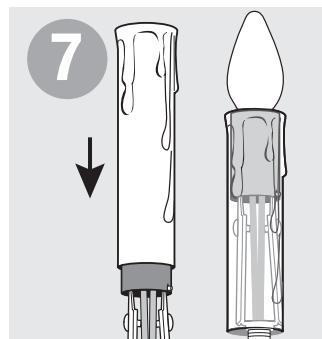
Using a wire stripper, expose 1/2" of bare copper strands from wire. Twist copper strands tightly together.



Connect the white or ribbed wire around silver terminal screw and other wire around brass terminal screw. Wrap each wire clockwise 3/4 turn under head of screw and tighten screws. Cut loose strands.



Replace cardboard tube so slot goes over protruding rivet pin.



Replace socket cover. Socket cover should be same height as cardboard tube. Replace light bulb, reflector, and shade.