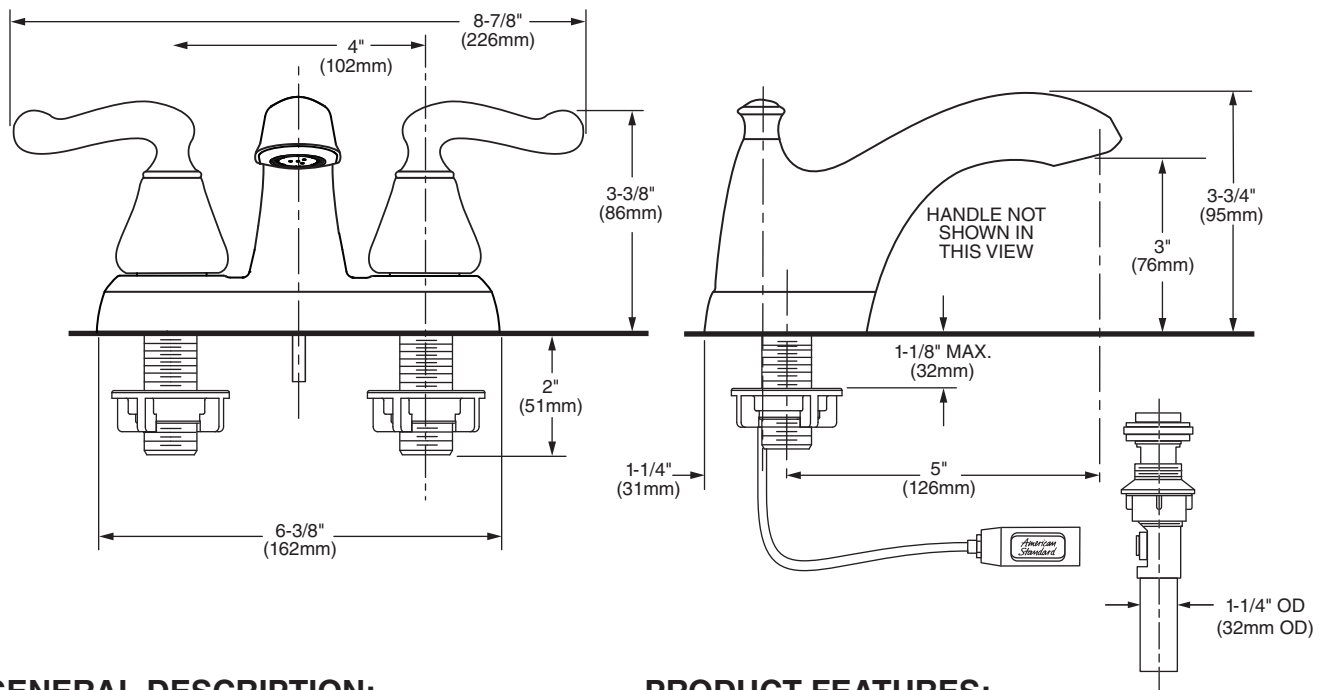


MODEL NUMBER:

- **9046.200 Centerset Lavatory Faucet**
Speed Connect™ Pop-up drain.
Metal lever handles.



GENERAL DESCRIPTION:

Centerset lavatory faucet on 4" centers. 1/4 turn washerless ceramic disc valve cartridges - reversible for use on either "hot" or "cold" side. Durable cast brass waterways with one-half inch male inlet shanks. Metal body. Color matched underbody. 20" (500mm) long flexible stainless steel drain cable is pre-assembled to faucet body. Non-Metallic Speed Connect™ drain body with 1-1/4 inch (32mm) tail piece. 1.5 gpm/5.7L/min. maximum flow rate. Metal lever handles.

PRODUCT FEATURES:

Cast Brass Construction: Durable. Easy to clean, seamless design. Ideal for prolonged contact with water.

Ceramic Disc Valve Cartridge: Assures a lifetime of smooth handle operation and drip-free performance.

Lead Free: Faucet contains ≤ 0.25% total lead content by weighted average.

Exclusive Speed ConneC™ Drain

- 1/3 the parts, installs in 1/3 the time.
- No tools or plumbers putty required for installation.
- No adjustments required - seals the first time, every time.
- Flexible stainless steel cable - installs effortlessly in tight spaces.

Lifetime Warranty: On function and finish.

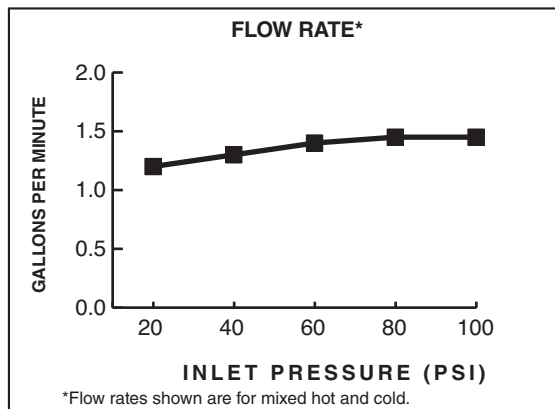
SUGGESTED SPECIFICATION:

Two-handle 4" centerpiece lavatory faucet shall feature a cast brass waterway. Shall also feature 1/4 turn washerless ceramic disc valve cartridges. Shall also feature a plastic drain body with stainless steel cable actuation. Fitting shall be American Standard Model # 9046.200._____.


CODES AND STANDARDS

These products meet or exceed the following codes and standards:

- ASME A112.18.1**
- CSA B125**
- NSF 61/Section 9 & Annex G**
- ANSI A117.1**



Product Number	Description	Finish Options	
		Polished Chrome	PVD Satin Nickel
9046.200	Centerset lavatory. Meteal Lever Handles.Non-Metallic Speed Connect™ Pop-up drain.	002	295

 Meets the American Disabilities Act Guidelines and **ANSI A117.1** Requirements for the physically challenged.