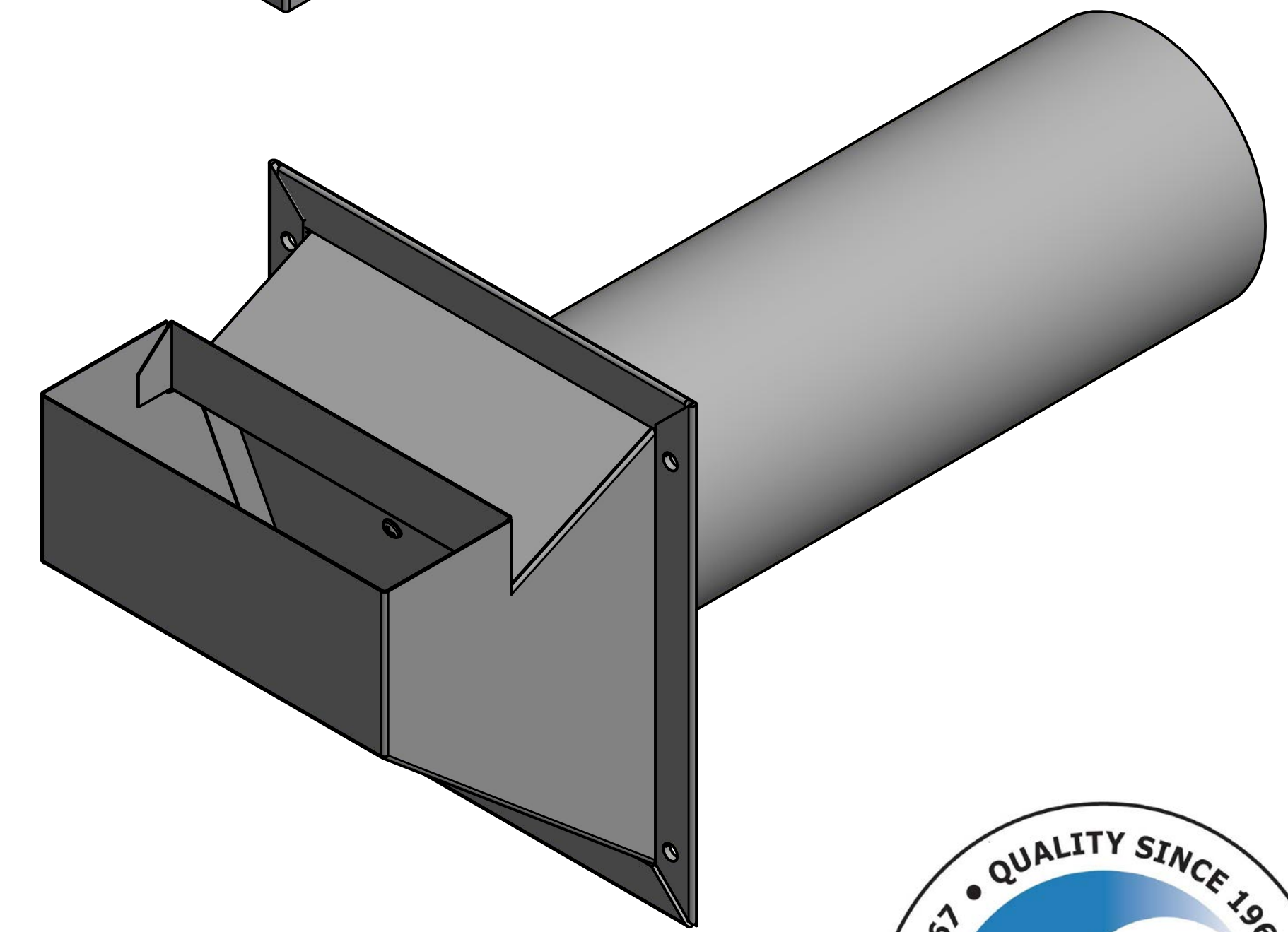
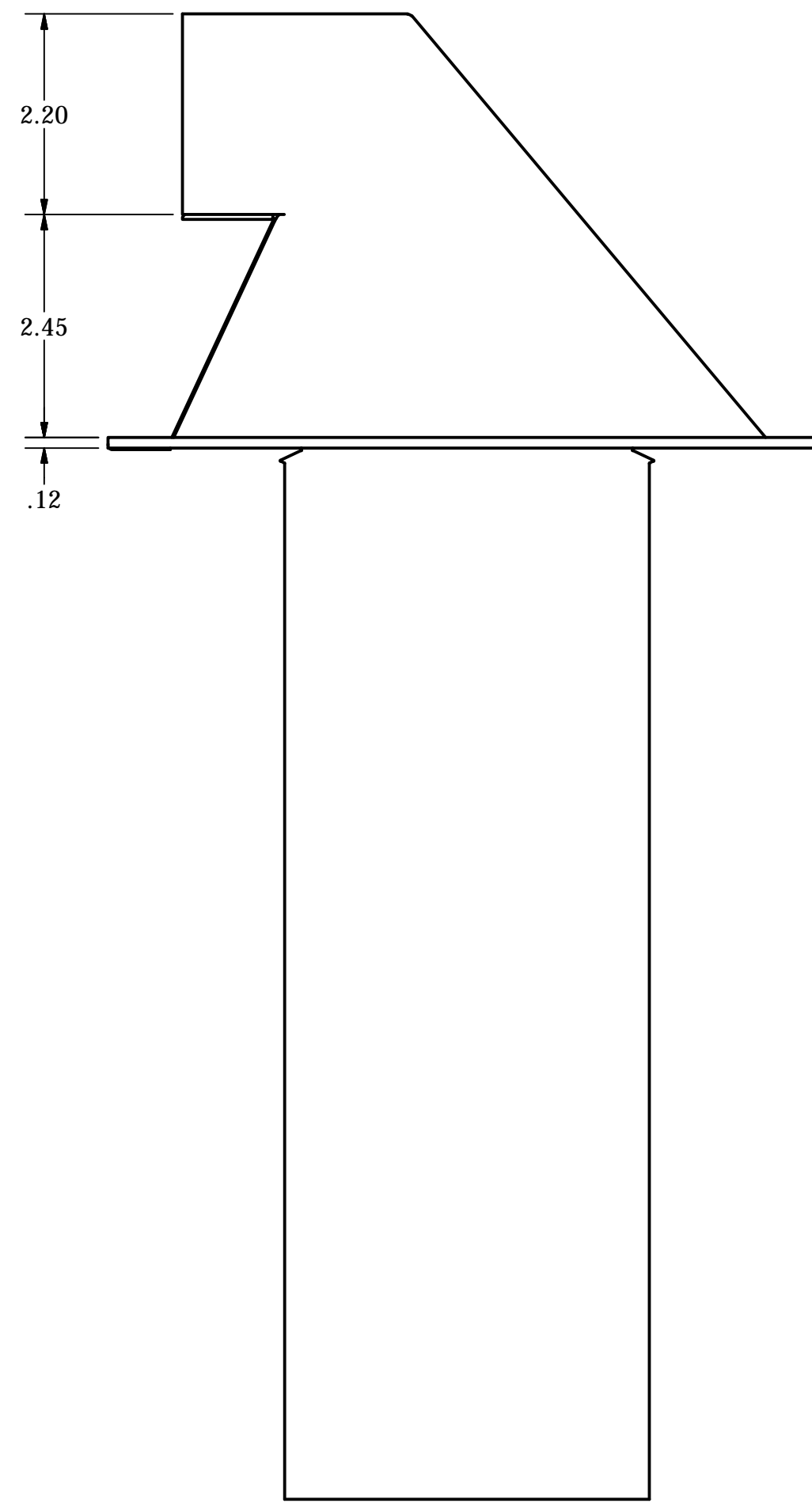
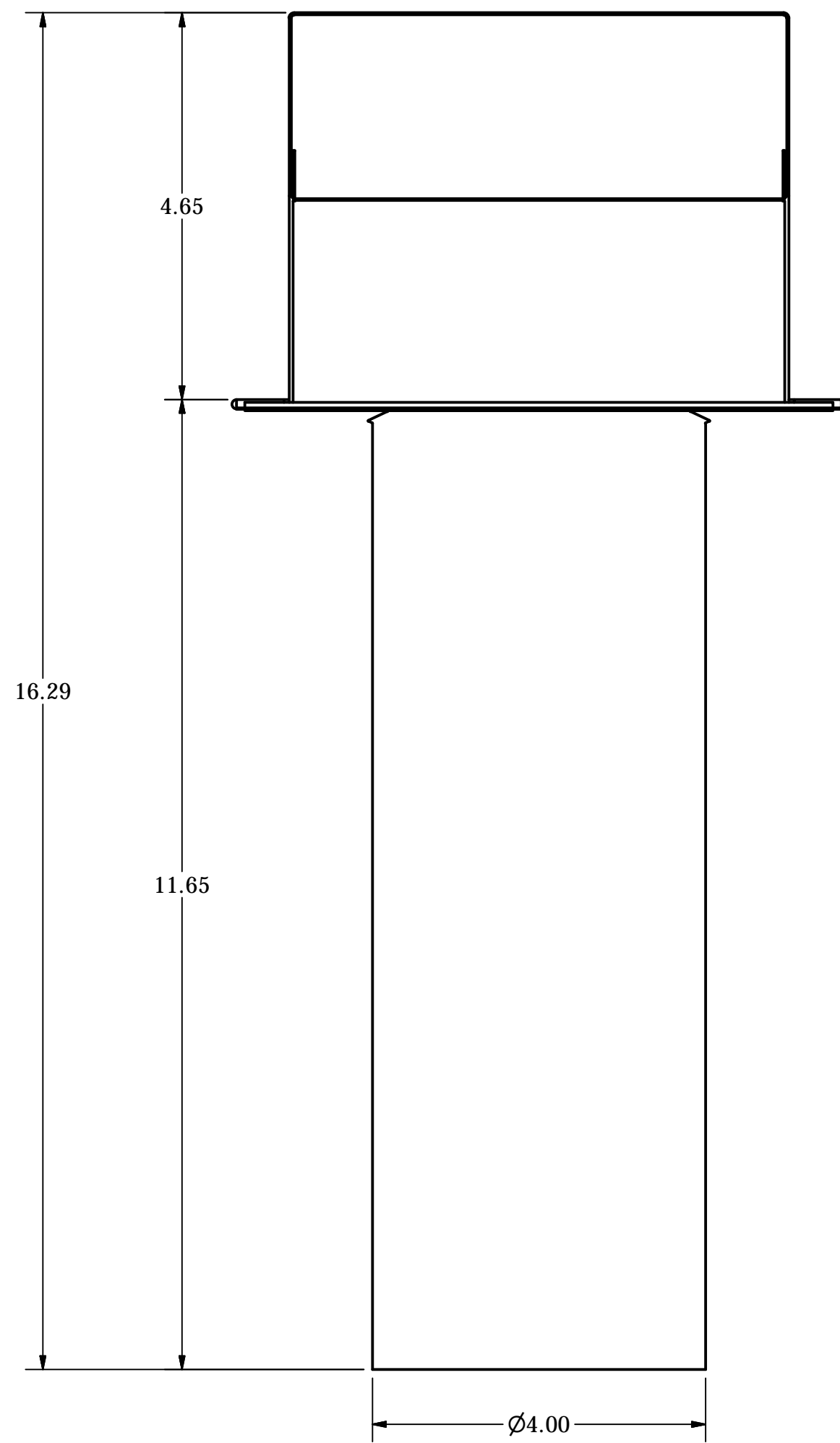
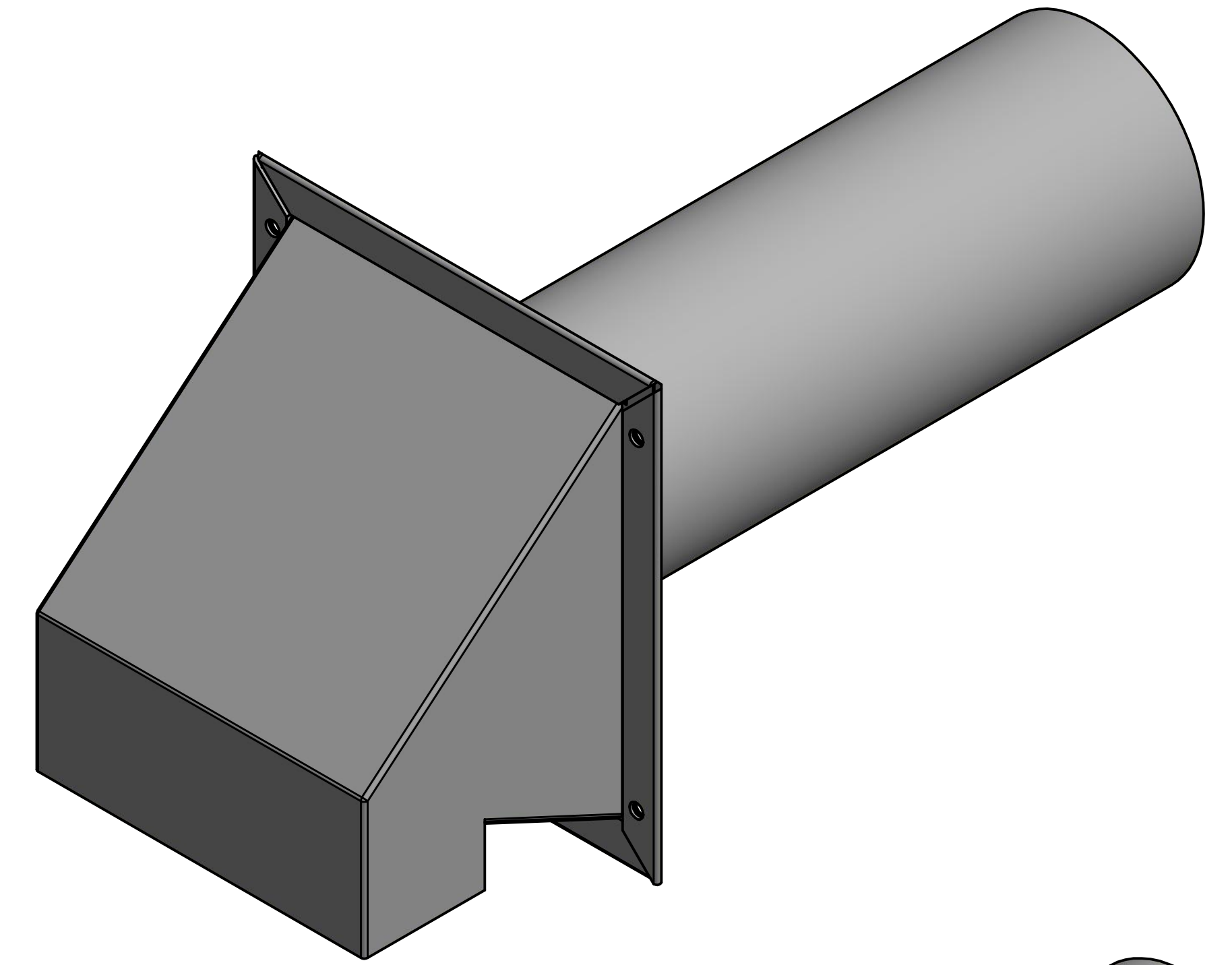
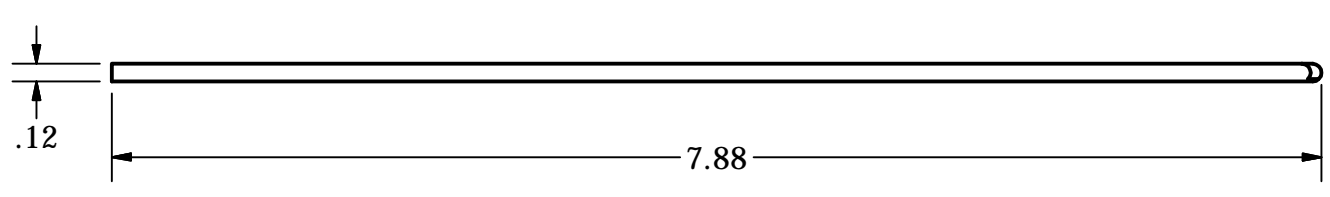
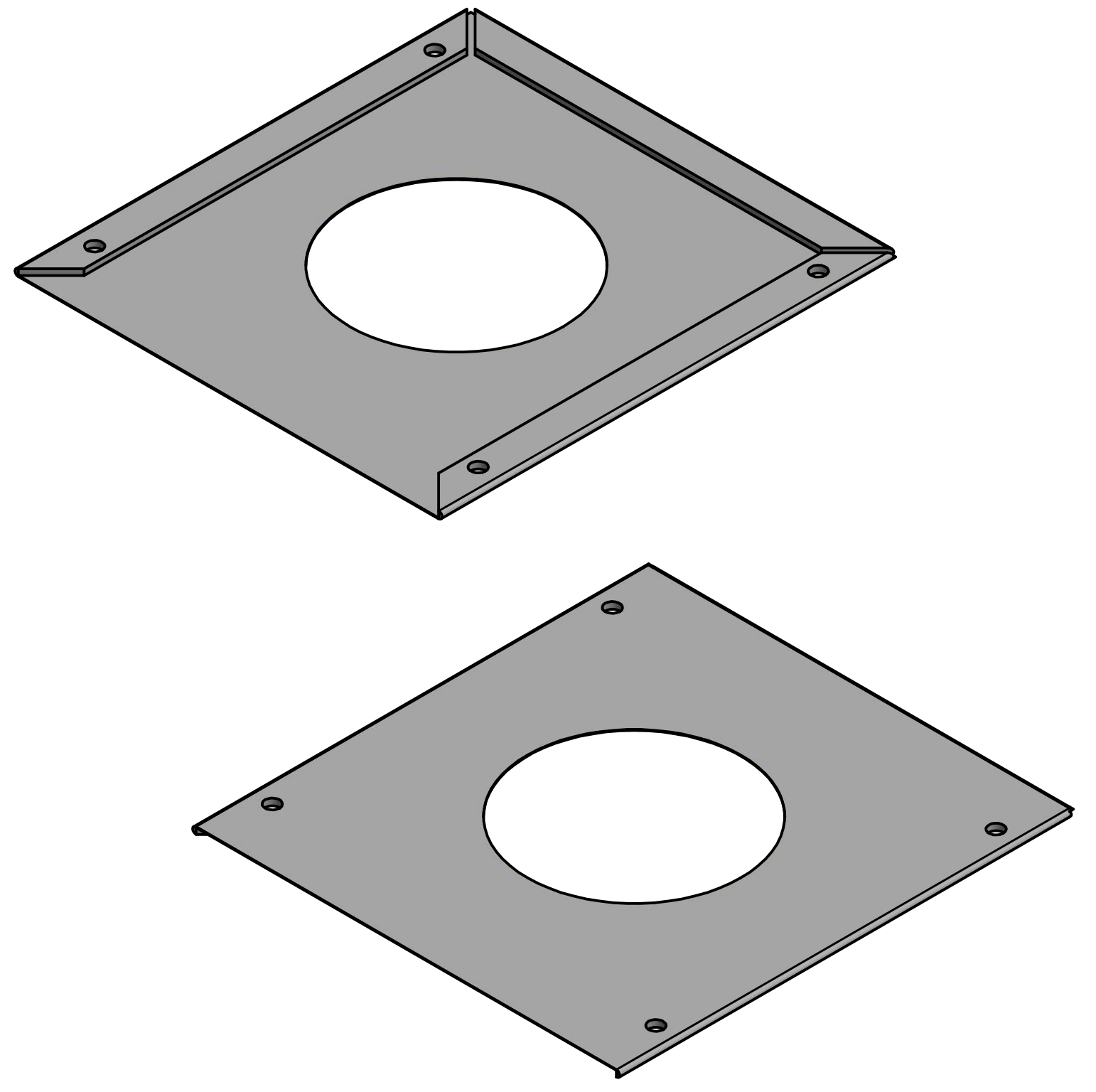
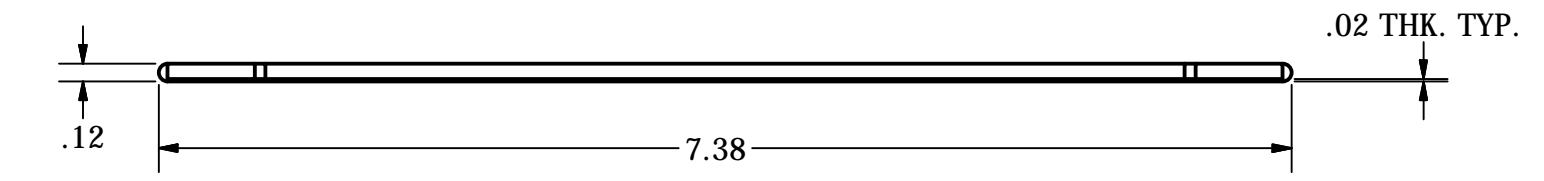
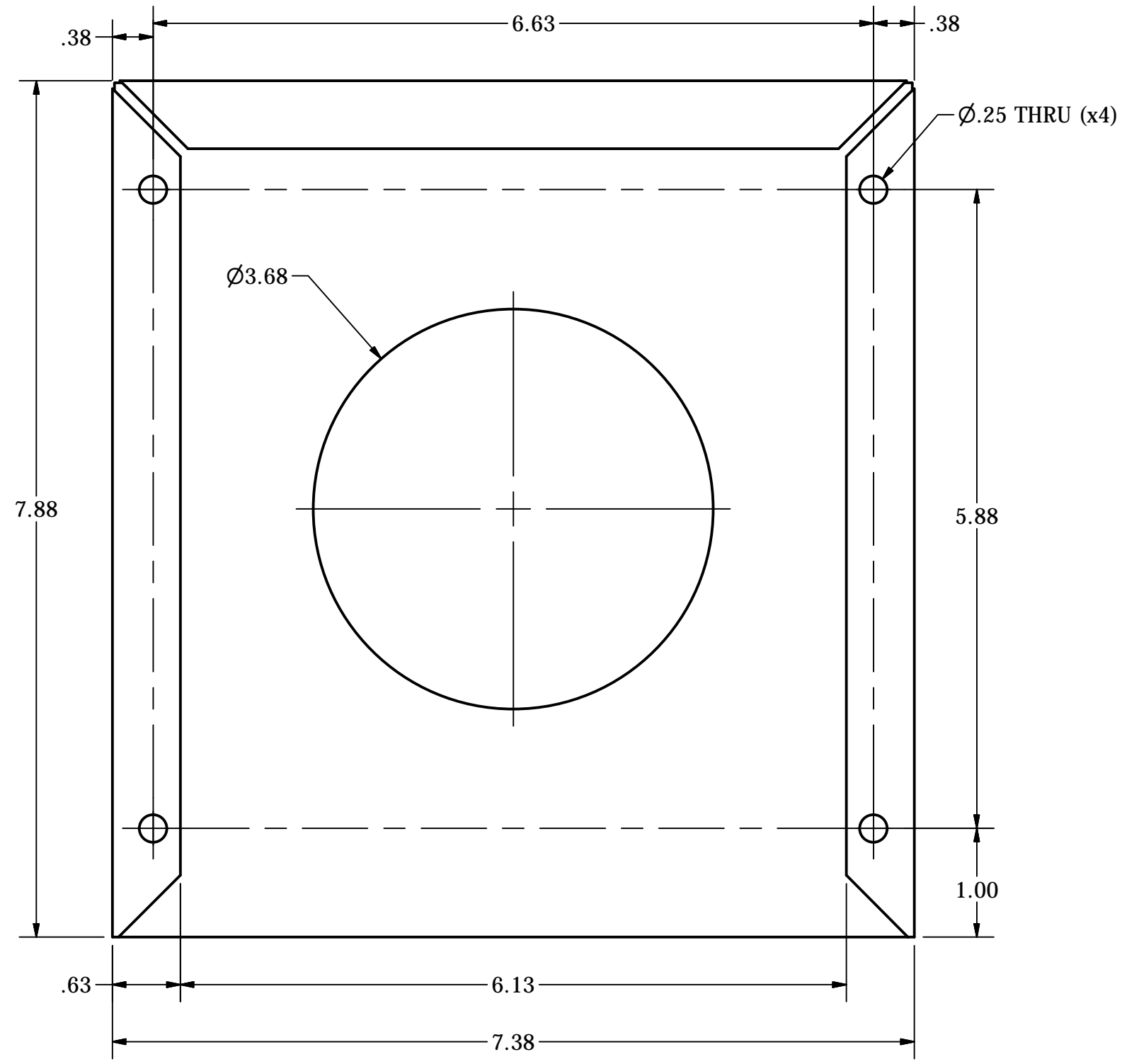


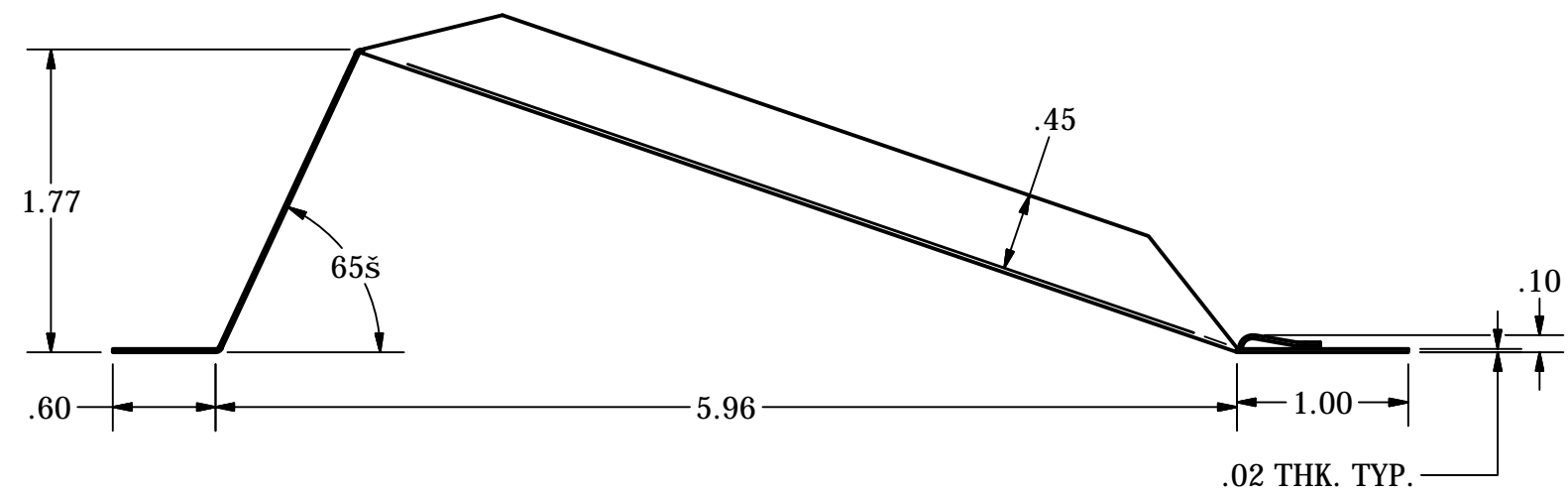
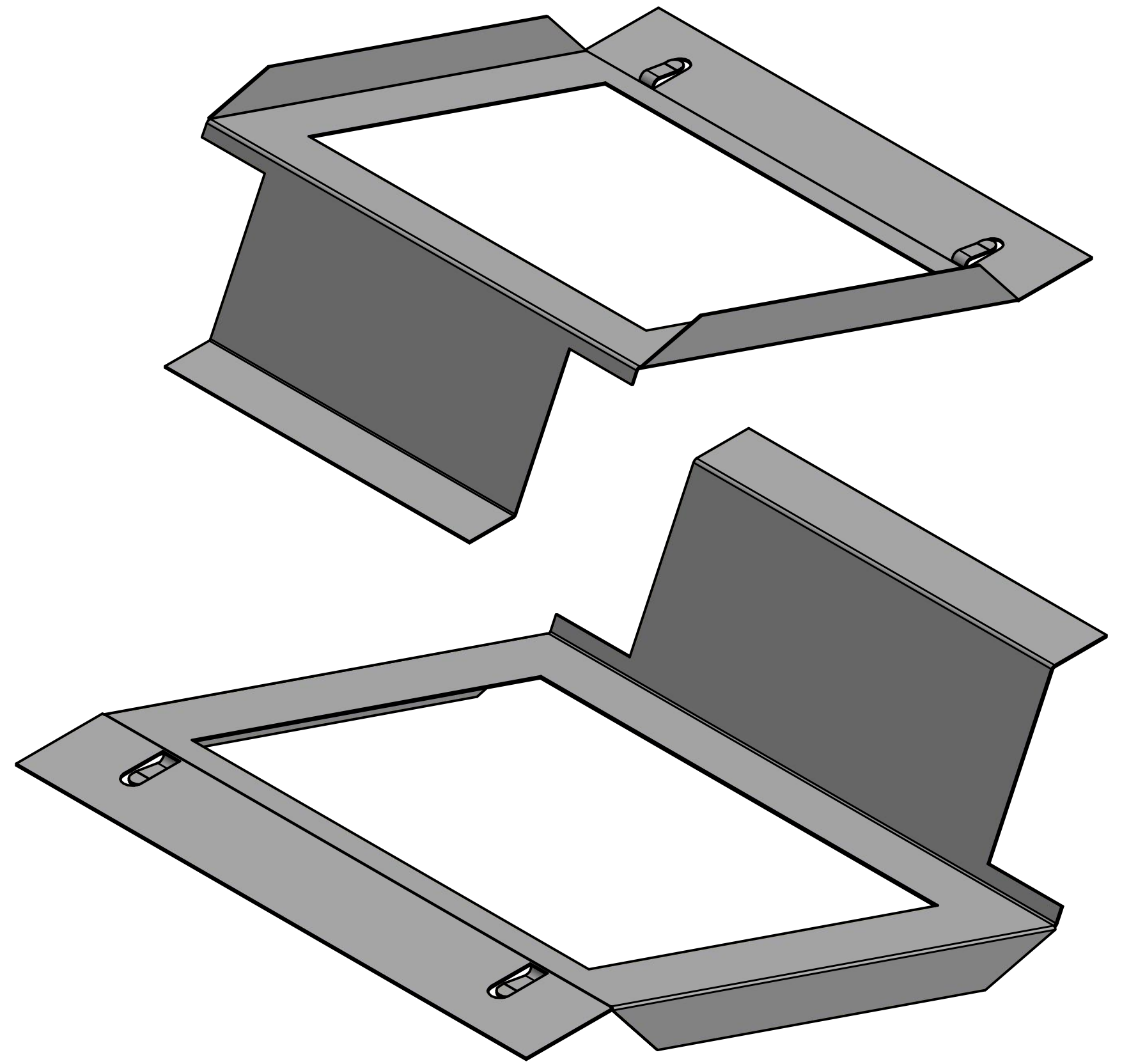
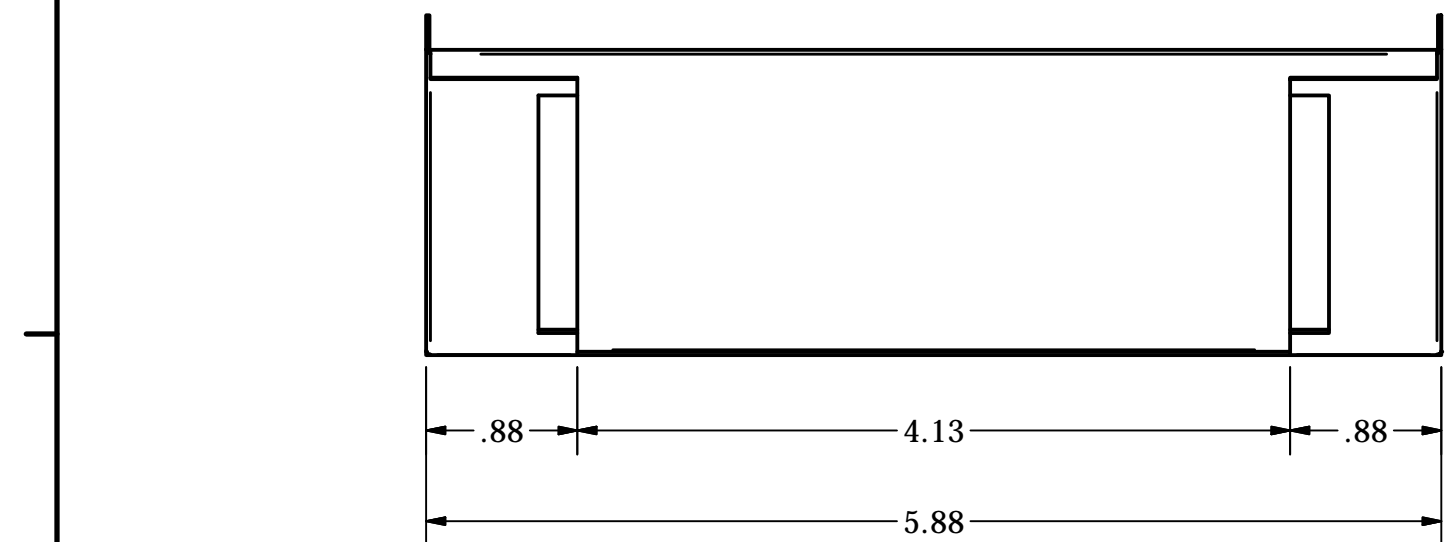
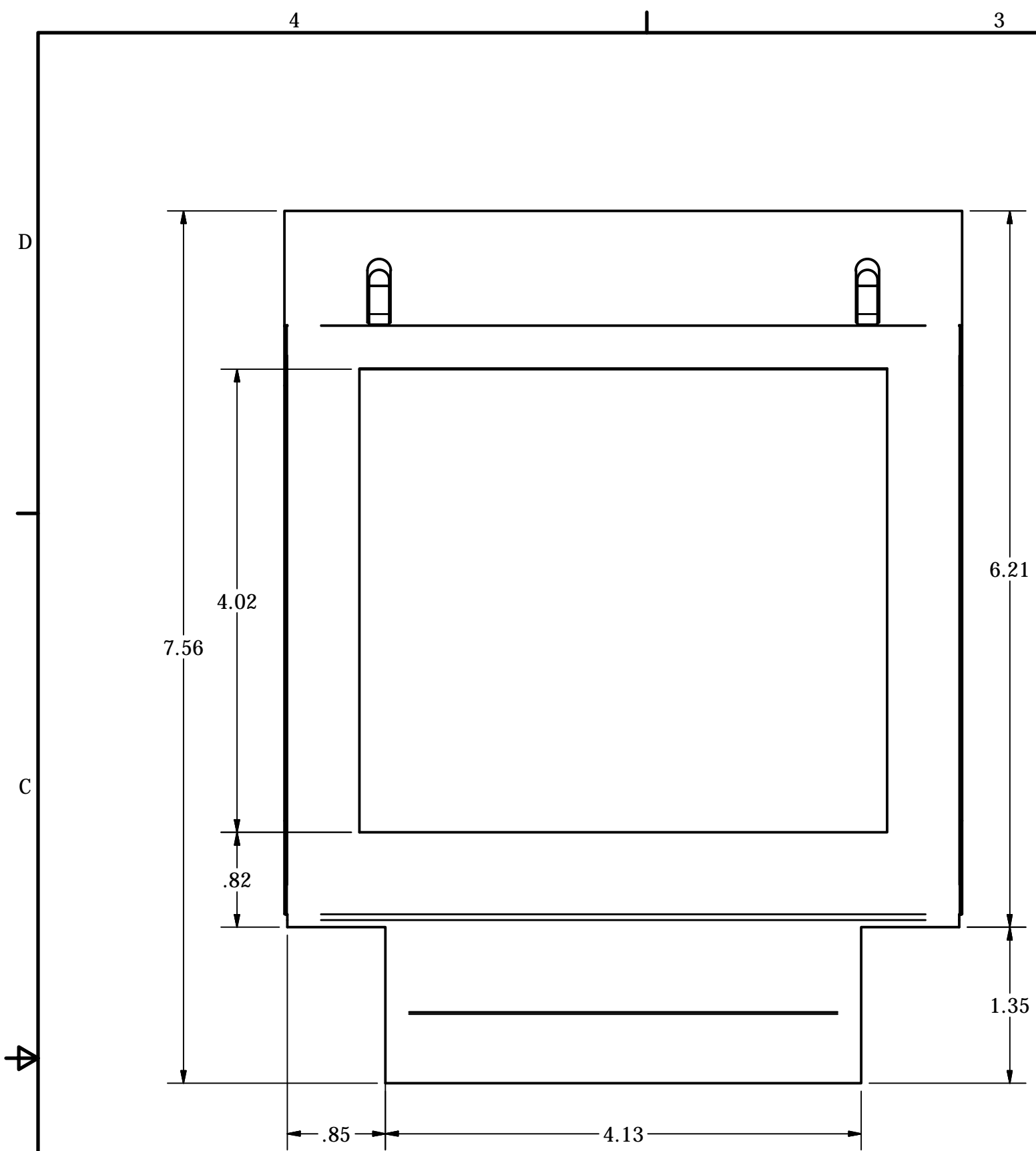
SECTION A-A



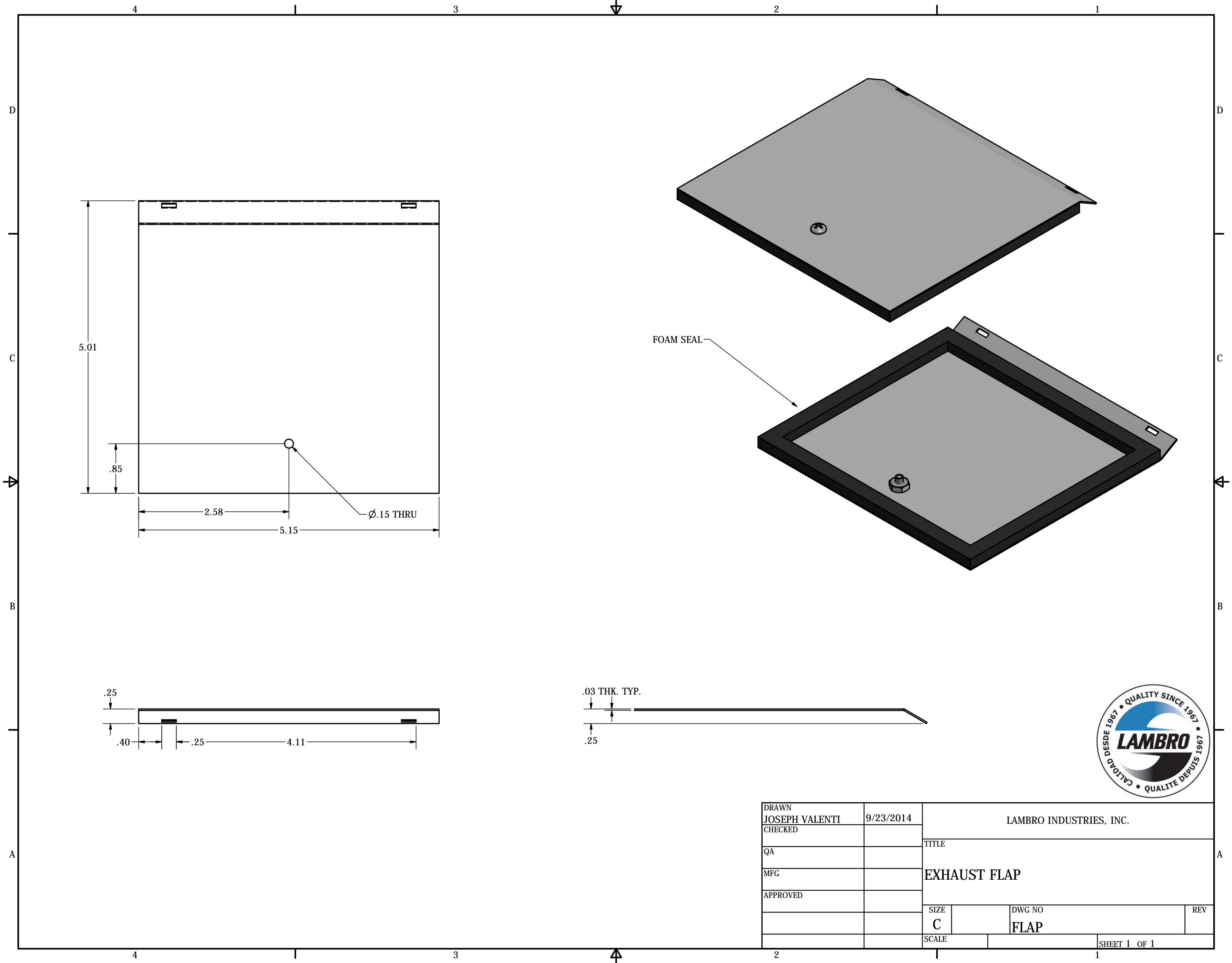
DRAWN	JOSEPH VALENTI	9/23/2014	LAMBRO INDUSTRIES, INC.		
CHECKED			TITLE		
QA			WAL VENT ASSEMBLY		
MFG			SIZE	DWG NO	REV
APPROVED			D	WALL VENT	
			SCALE		SHEET 1 OF 1



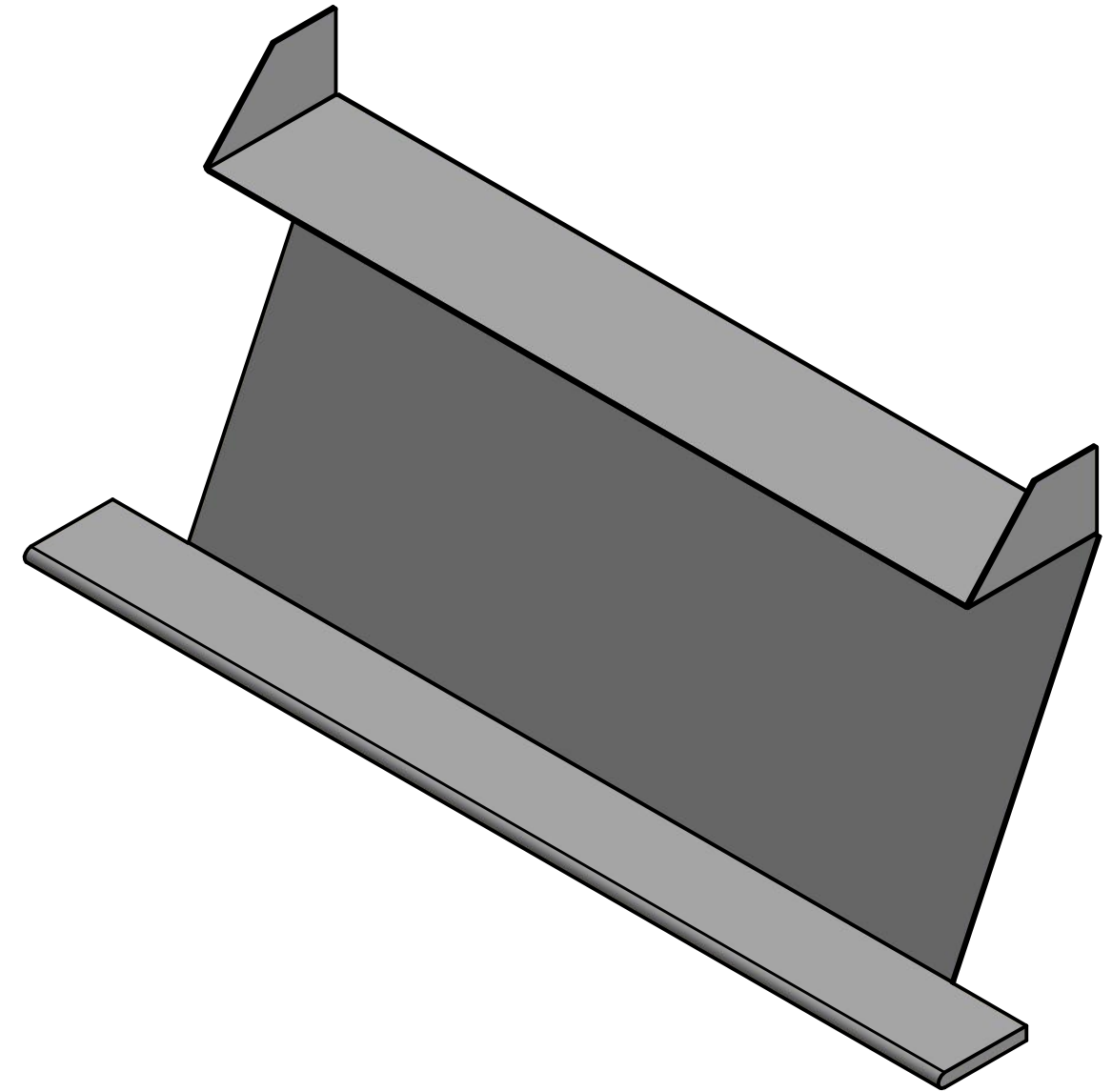
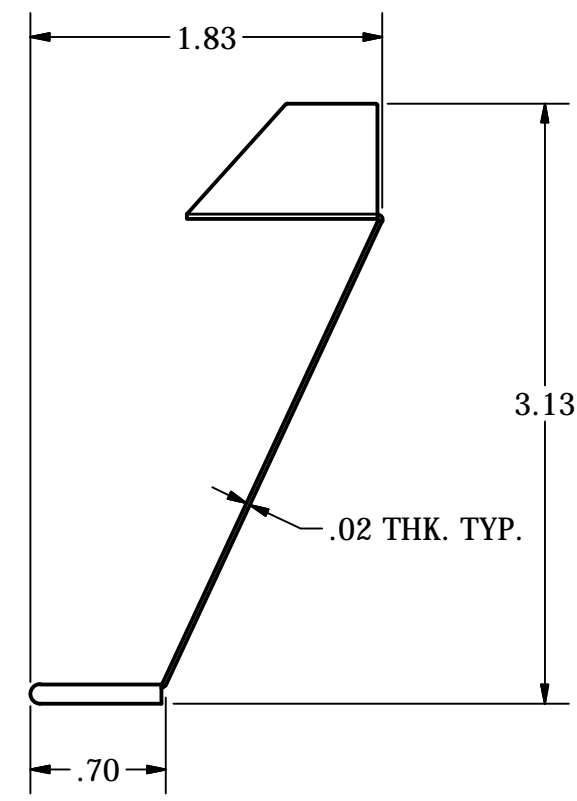
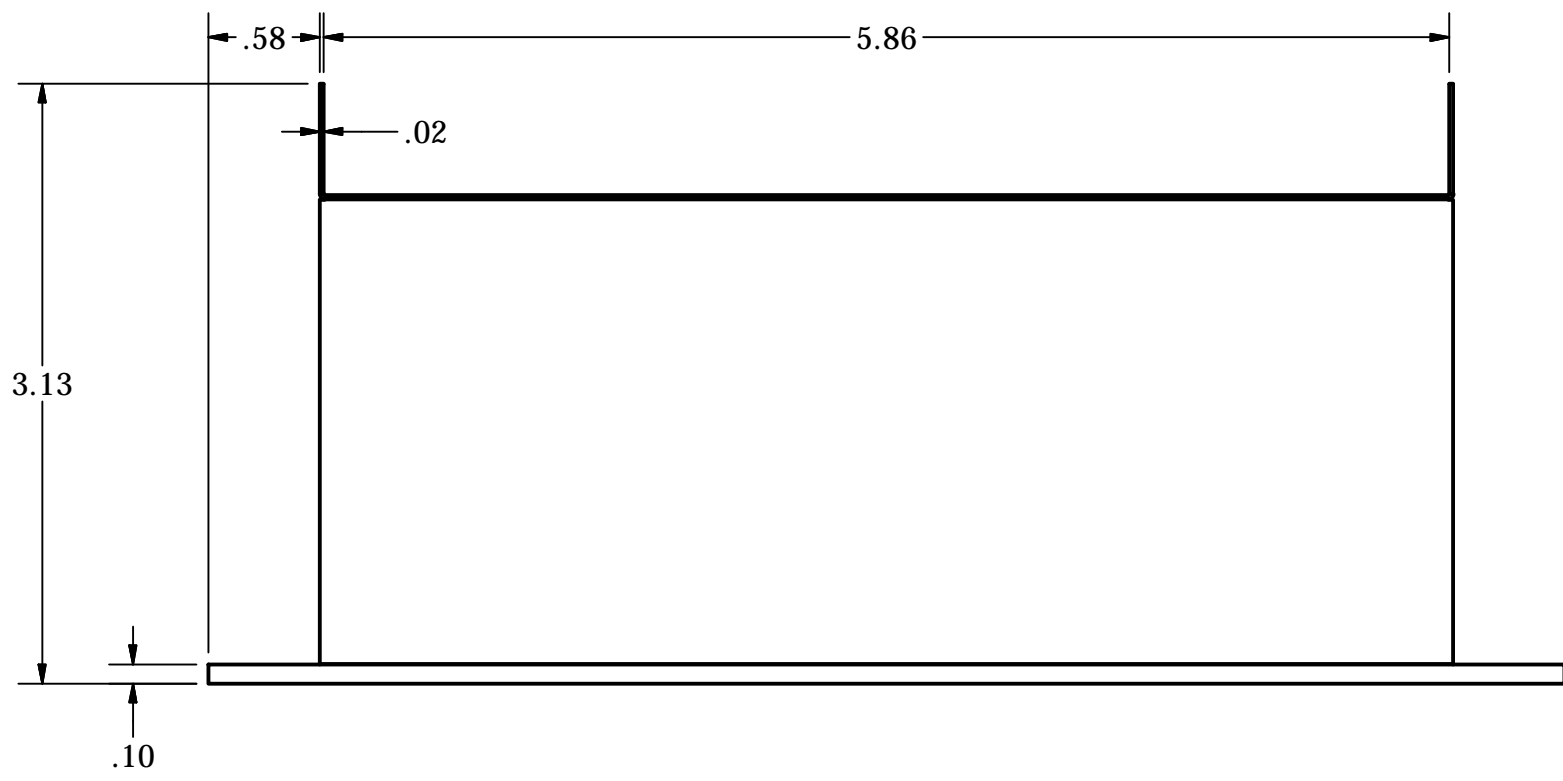
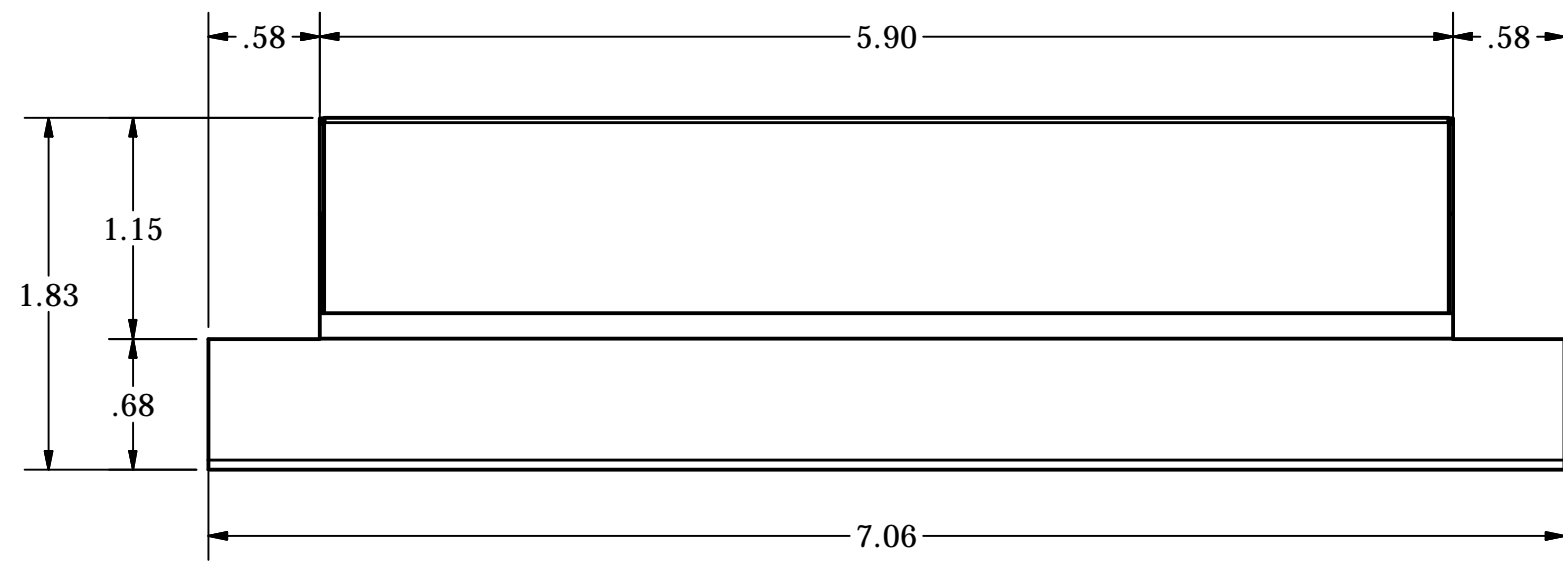
DRAWN JOSEPH VALENTI		9/23/2014		LAMBRO INDUSTRIES, INC.	
CHECKED				TITLE	
QA				BASE	
MFG					
APPROVED					
		SIZE	DWG NO	REV	
		C	BASE		
		SCALE	SHEET 1 OF 1		



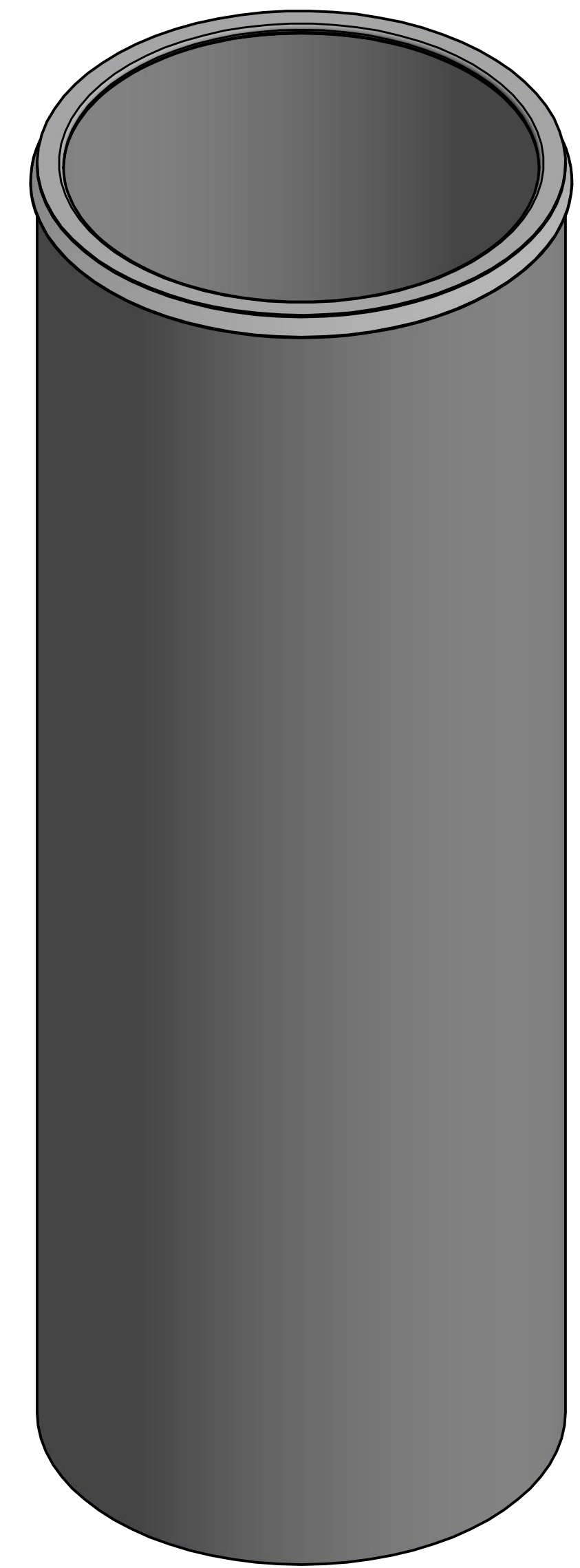
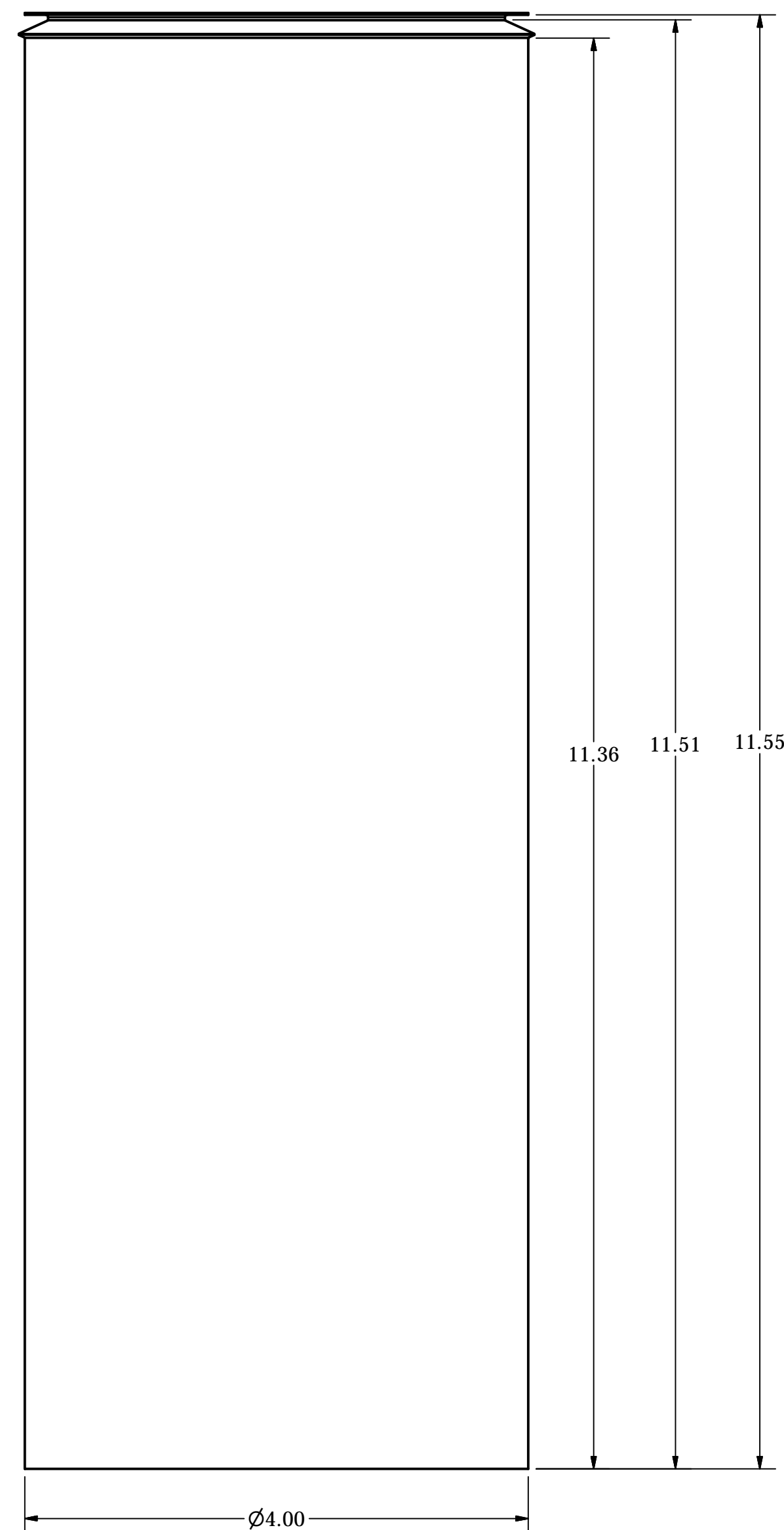
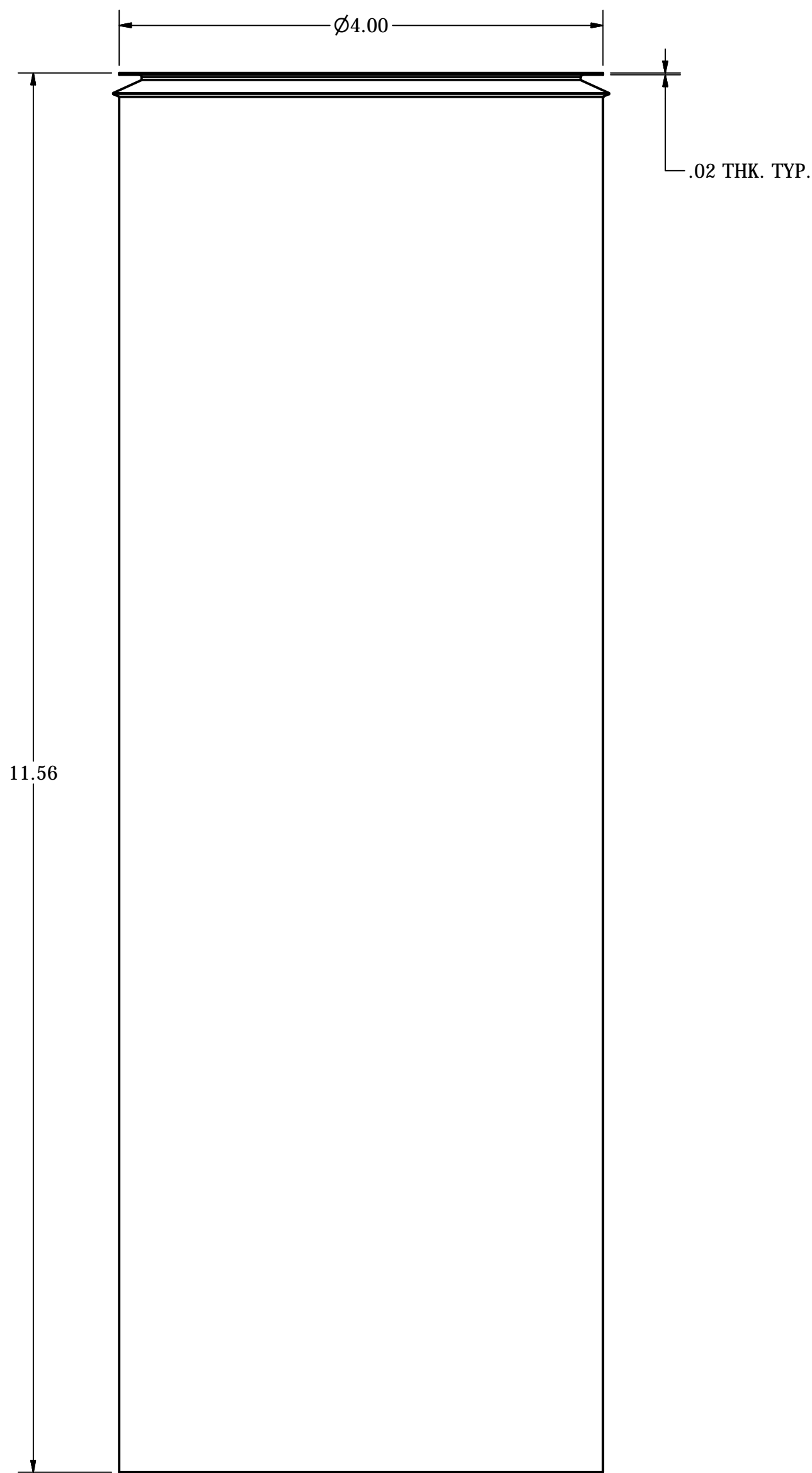
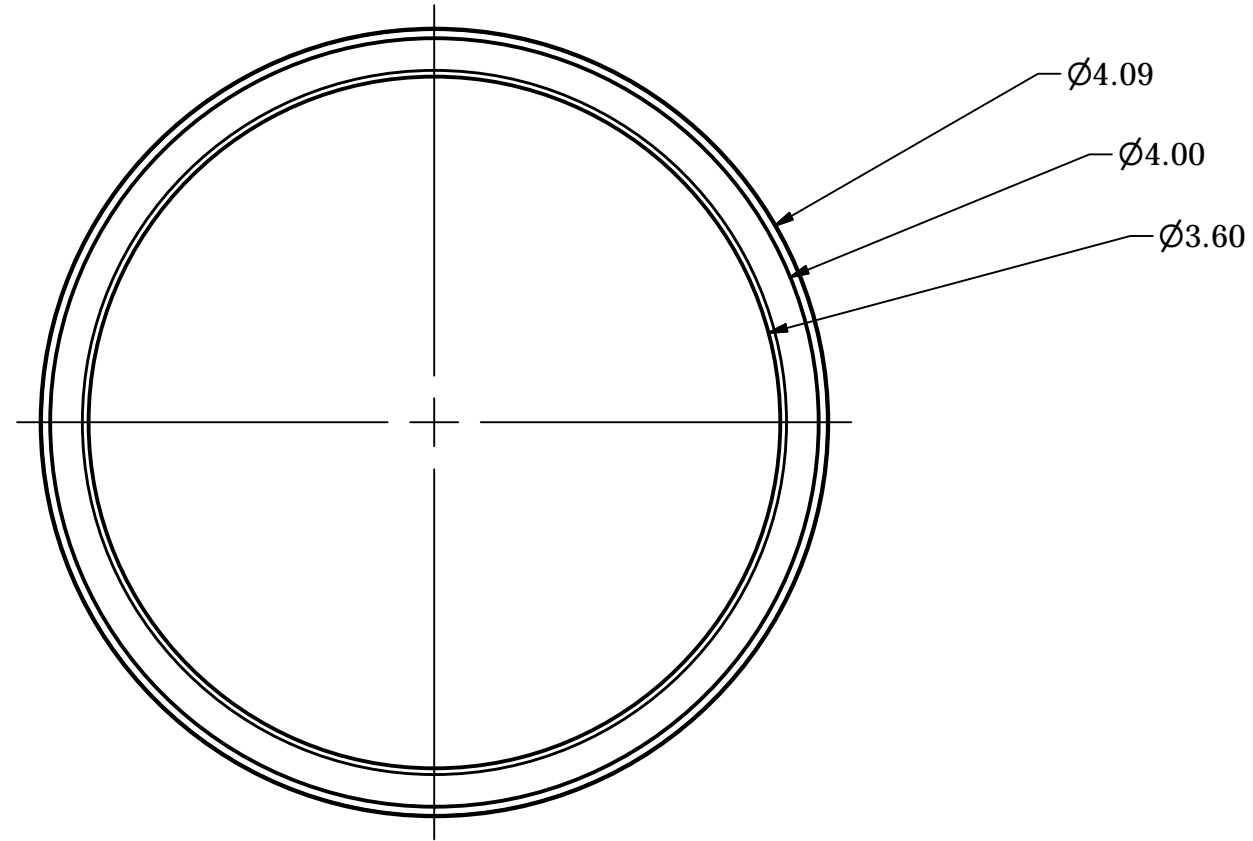
DRAWN JOSEPH VALENTI		9/23/2014		LAMBRO INDUSTRIES, INC.		
CHECKED				TITLE		
QA				BASE II		
MFG						
APPROVED						
		SIZE		DWG NO		REV
		C		BASEII		
		SCALE				SHEET 1 OF 1



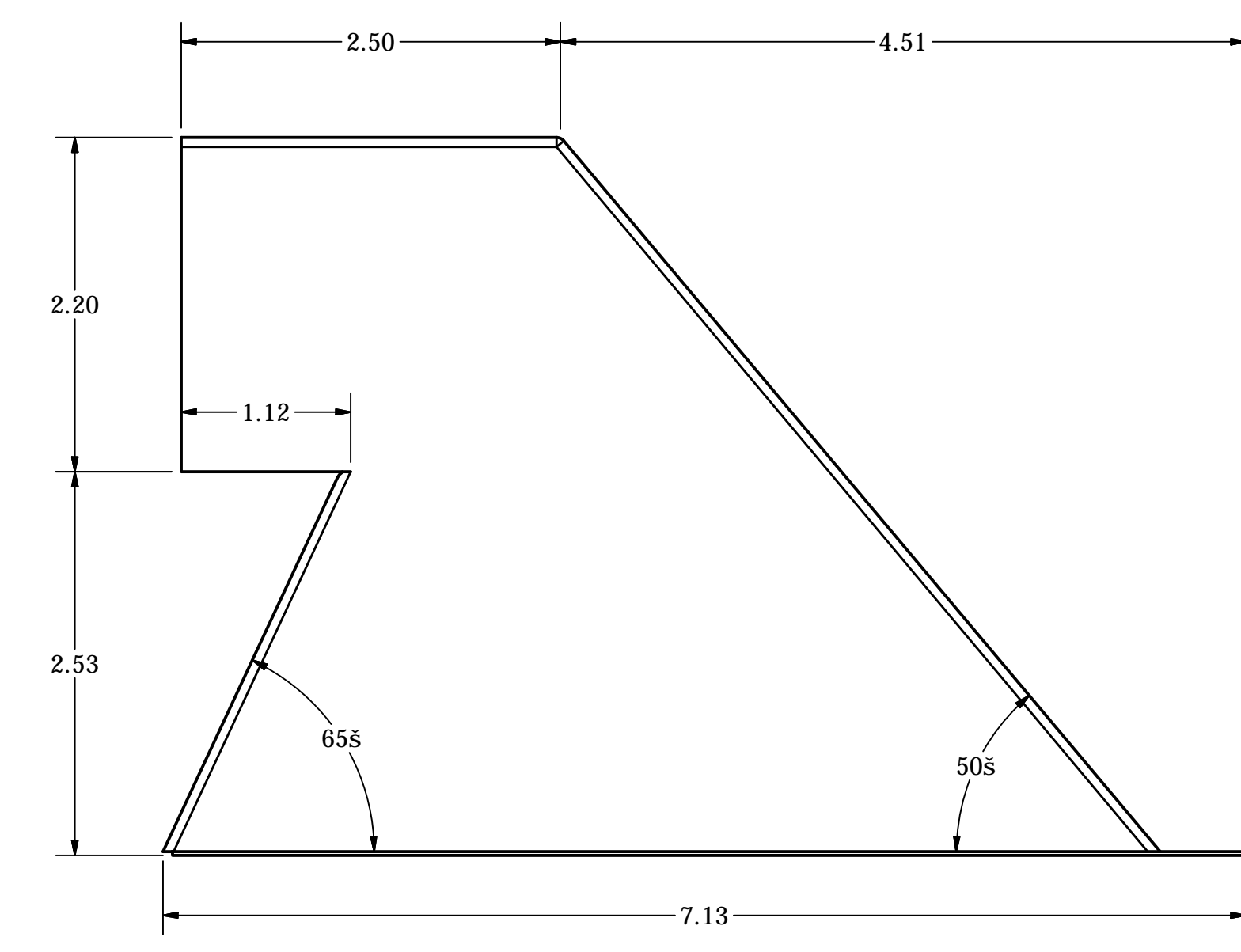
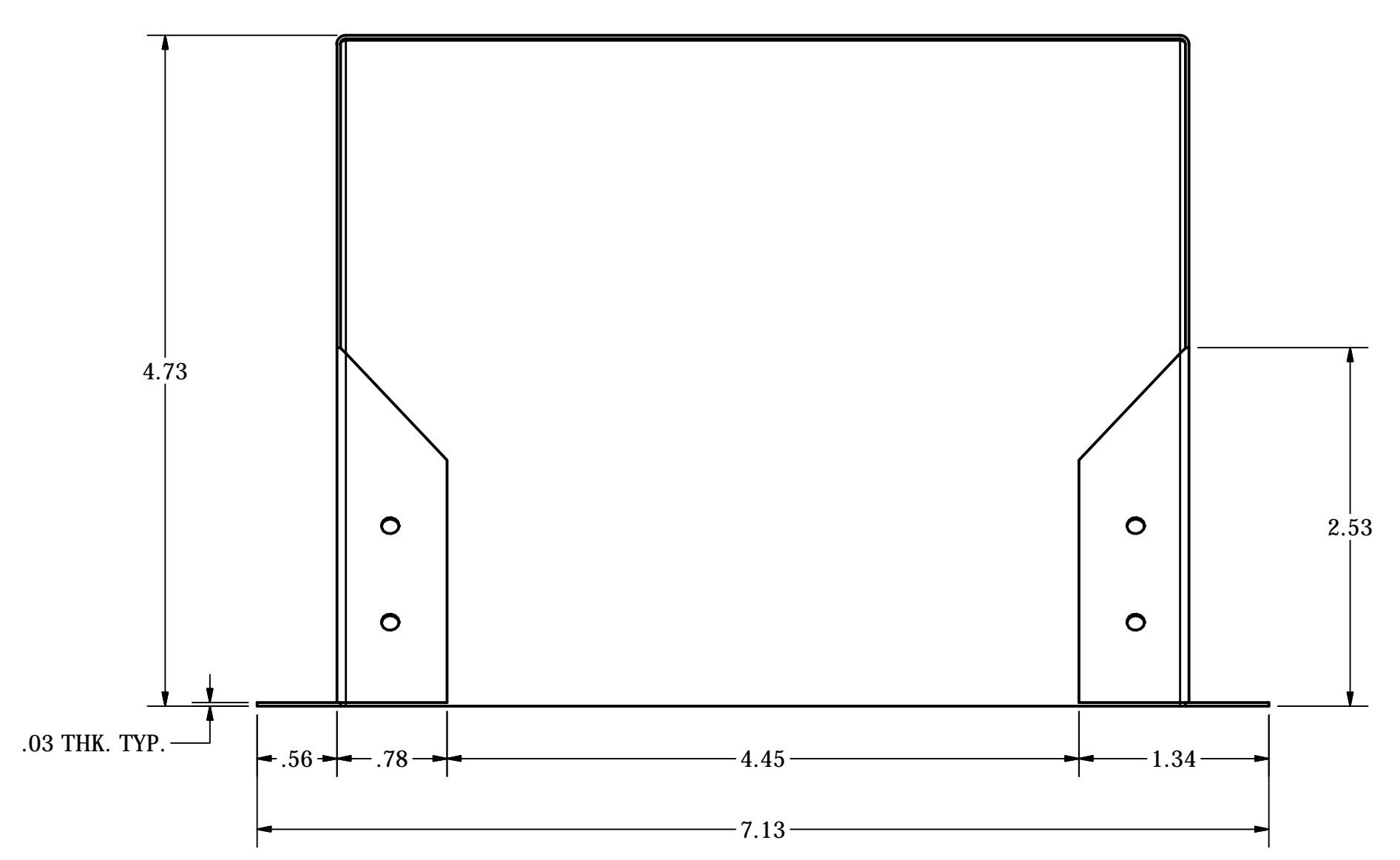
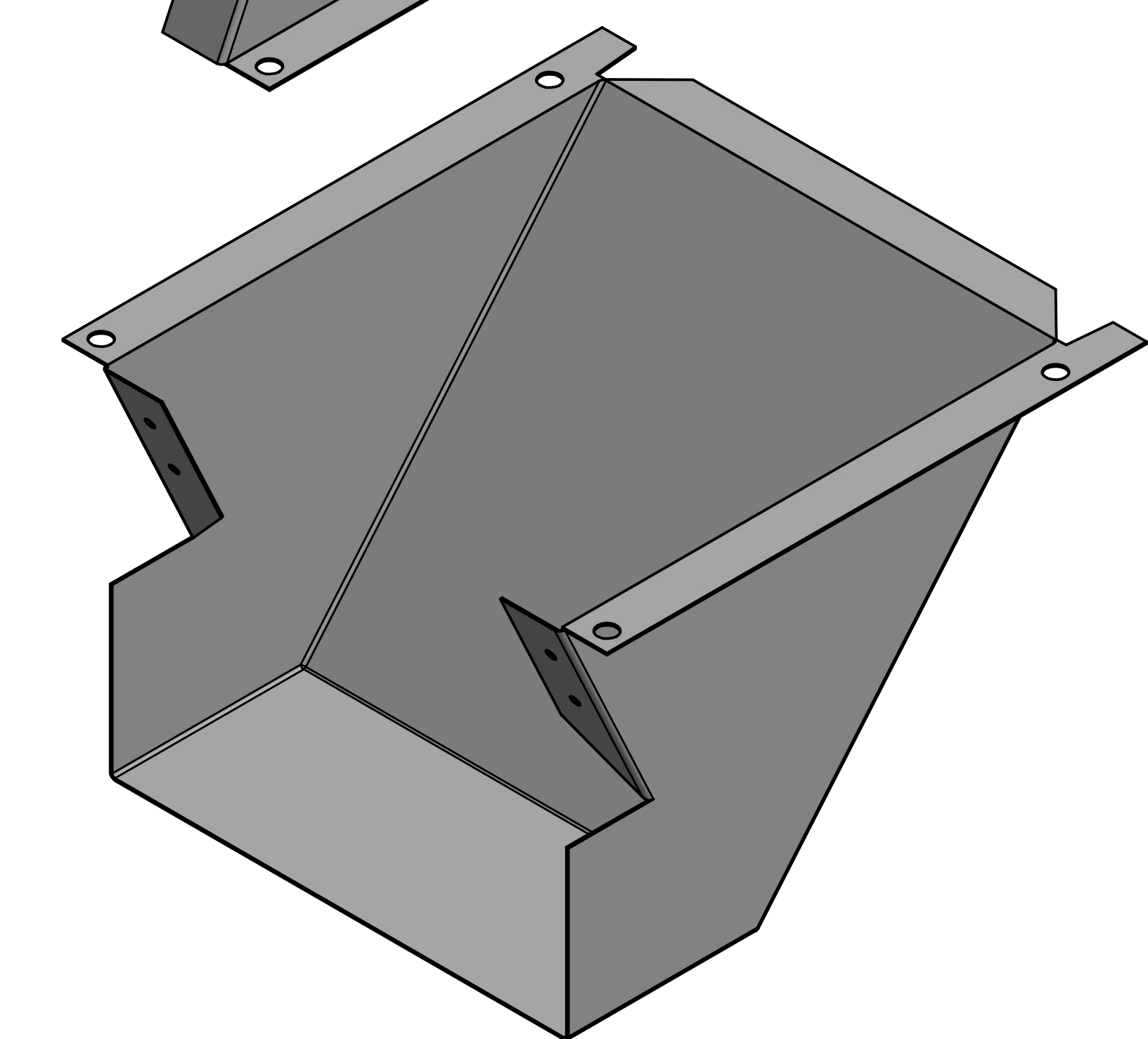
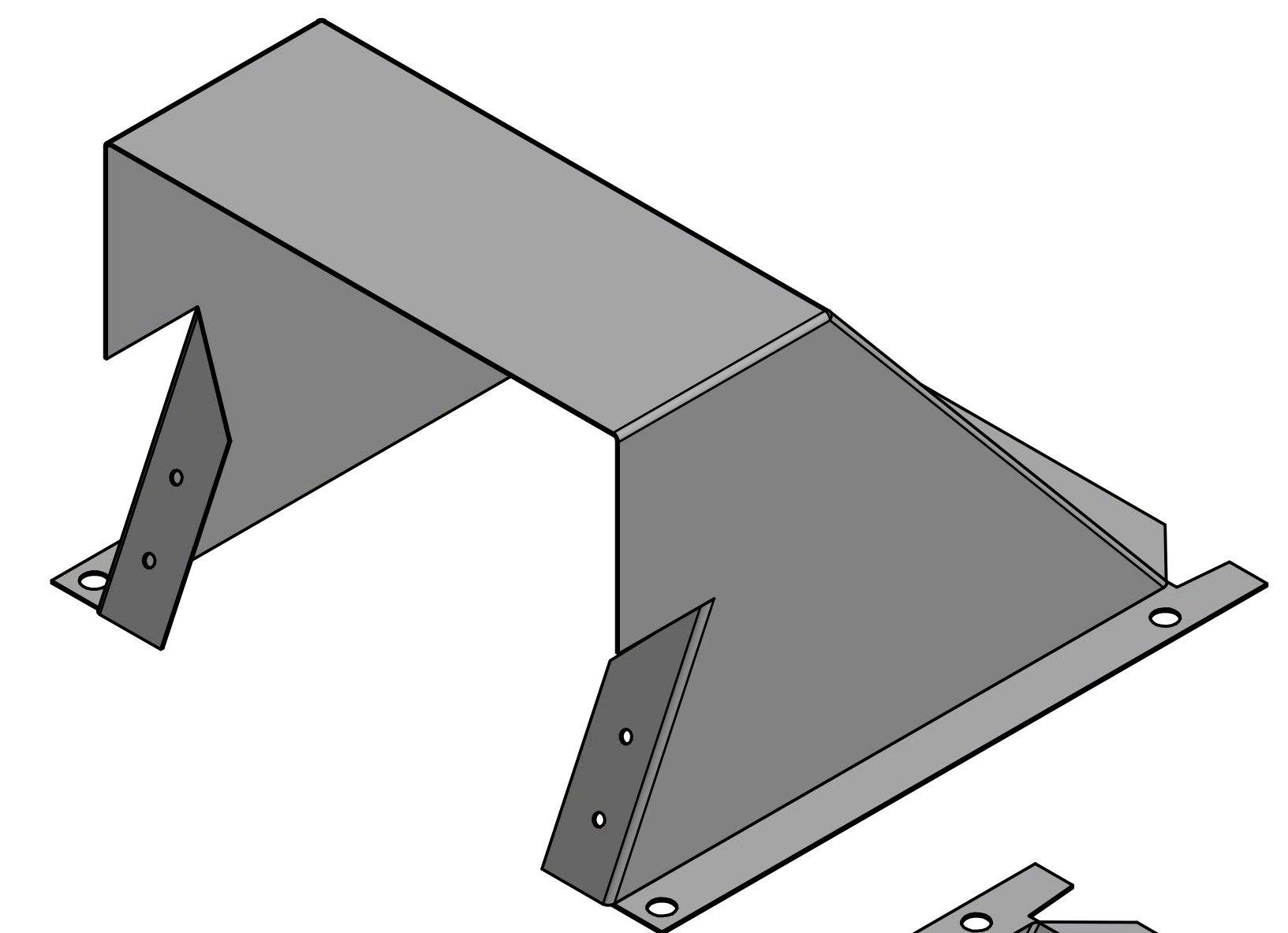
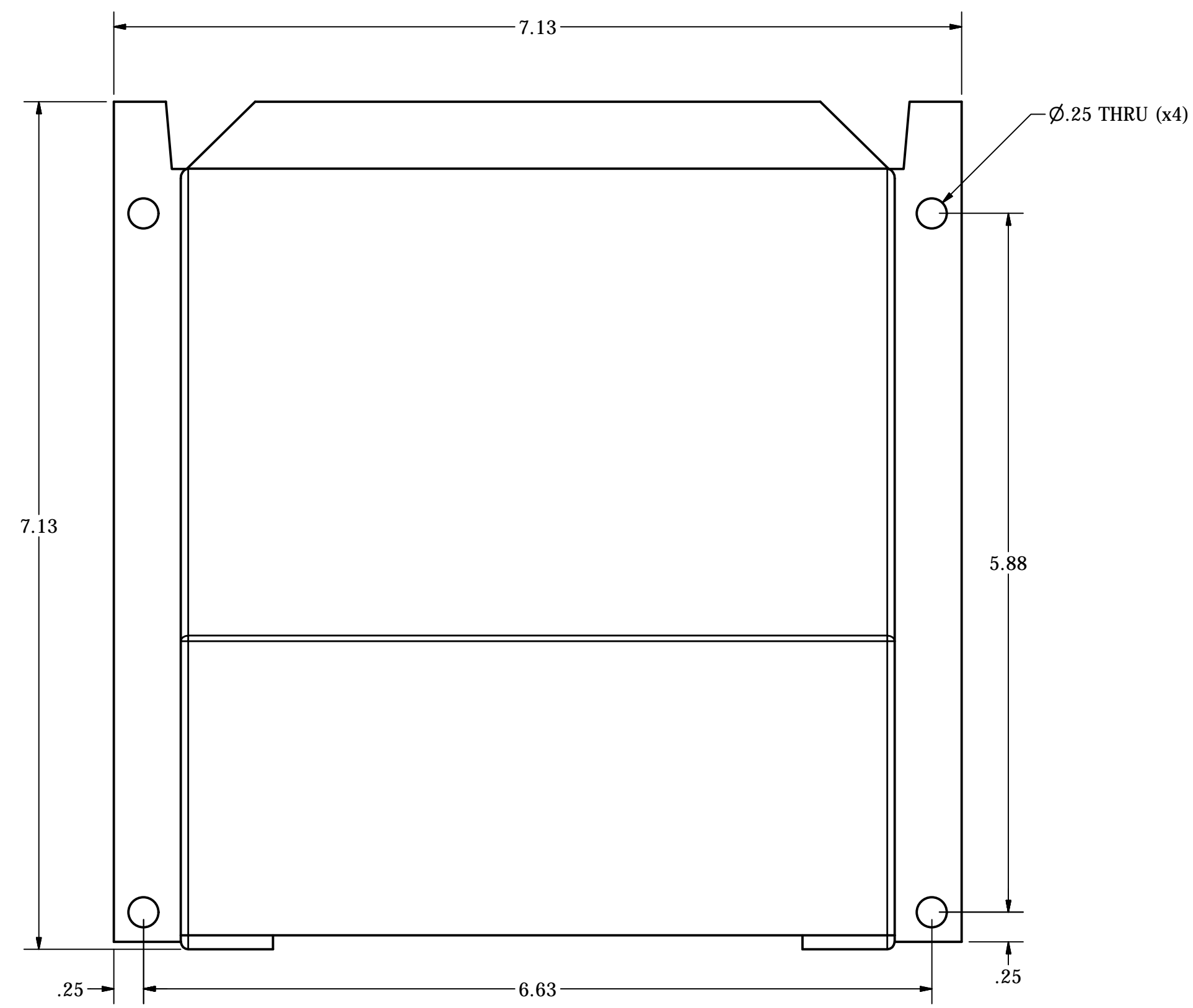
DRAWN JOSEPH VALENTI		9/23/2014		LAMBRO INDUSTRIES, INC.		
CHECKED				TITLE		
QA				EXHAUST FLAP		
MFG						
APPROVED						
		SIZE		DWG NO		REV
		C		FLAP		
		SCALE		SHEET 1 OF 1		



DRAWN JOSEPH VALENTI		9/23/2014		LAMBRO INDUSTRIES, INC.	
CHECKED				TITLE	
QA				FRONT GUARD	
MFG					
APPROVED					
		SIZE	DWG NO	REV	
		C	FRONT GUARD		
		SCALE	SHEET 1 OF 1		



DRAWN	JOSEPH VALENTI	9/23/2014	LAMBRO INDUSTRIES, INC.		
CHECKED			TITLE		
QA			VENT TUBE		
MFG					
APPROVED					
			SIZE	DWG NO	REV
			D	TUBE	
			SCALE	SHEET 1 OF 1	



DRAWN	JOSEPH VALENTI	9/23/2014	LAMBRO INDUSTRIES, INC.		
CHECKED			TITLE		
QA			VENT CAP		
MFG			SIZE	DWG NO	REV
APPROVED			D	CAP	
			SCALE		SHEET 1 OF 1