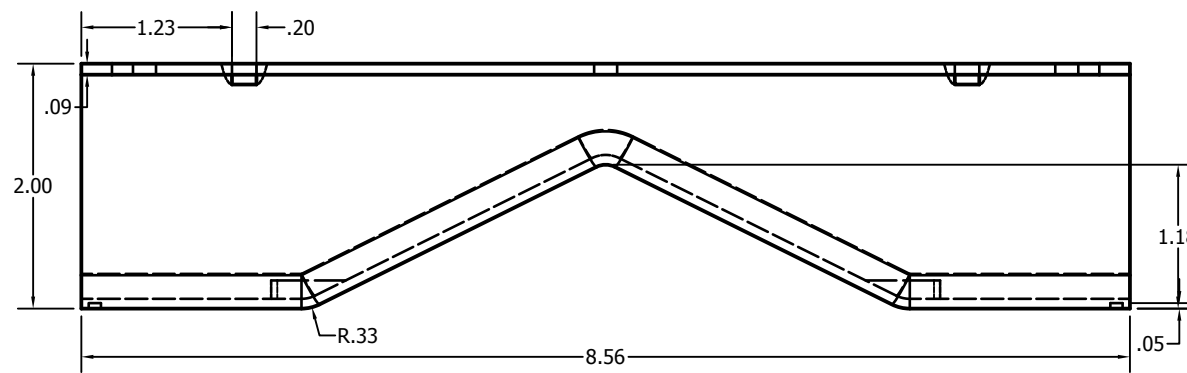
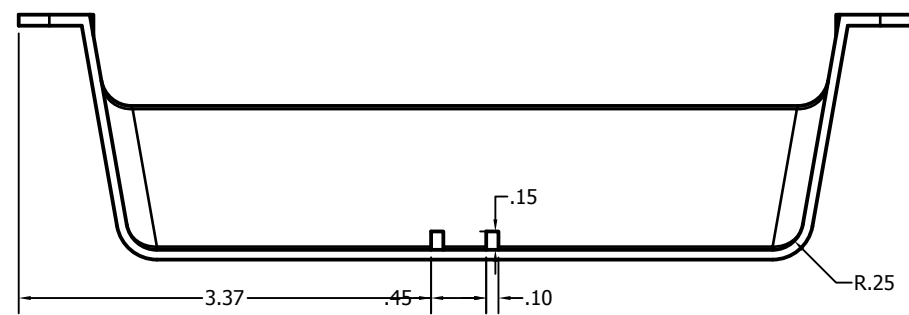
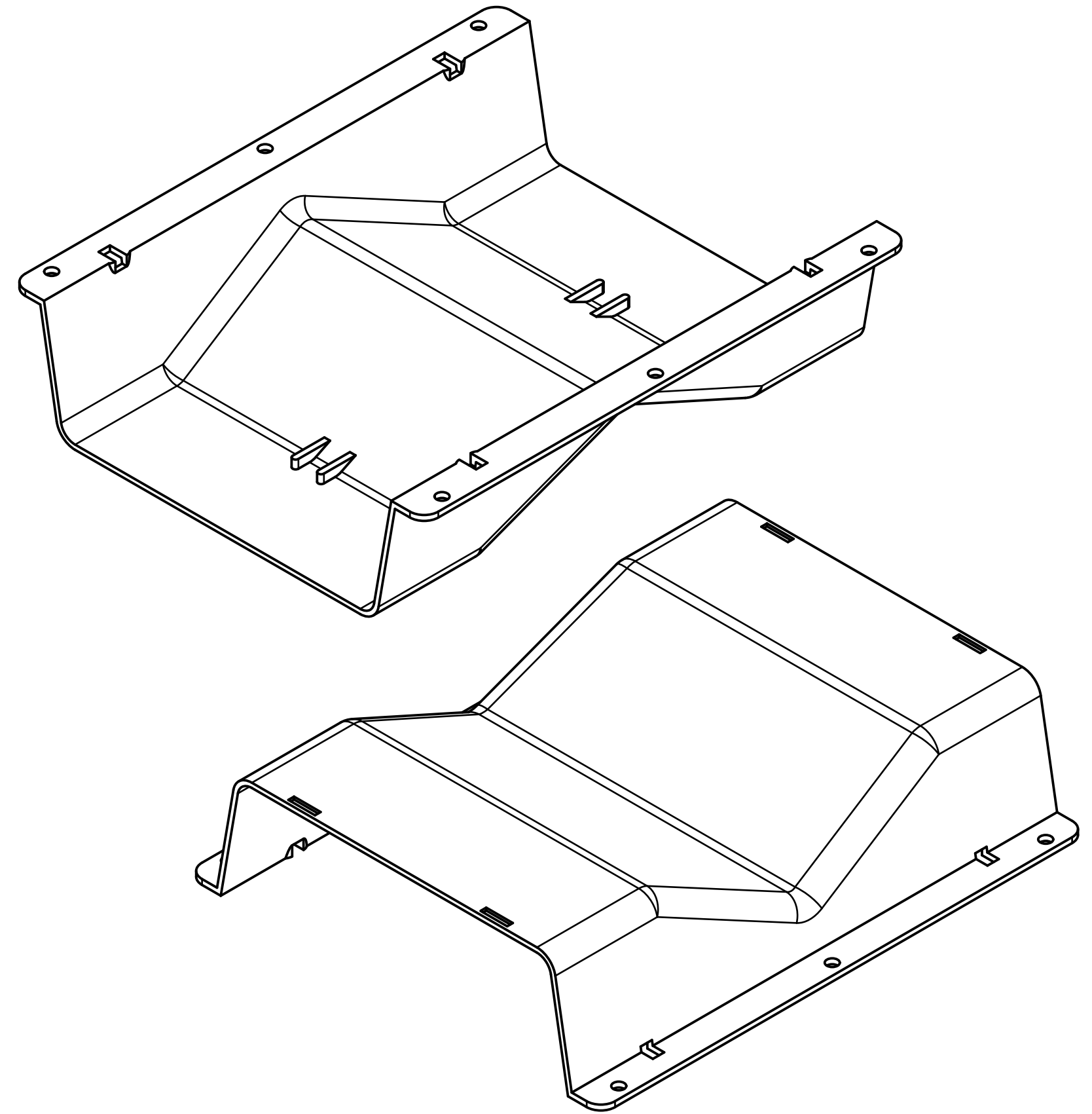
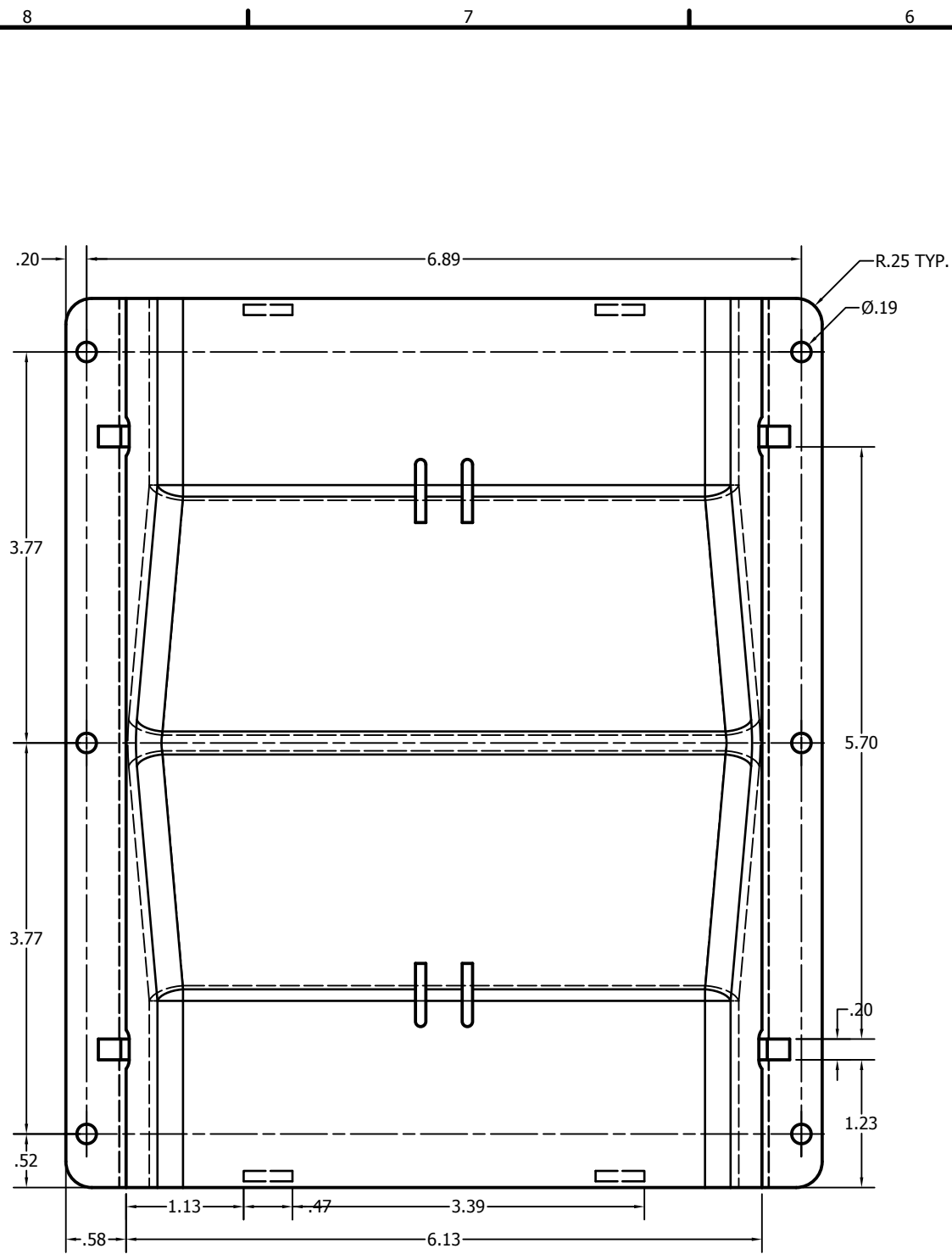


DRAWN JOSEPH VALENTI	7/6/2014	LAMBRO INDUSTRIES, INC.		
CHECKED		TITLE		
QA		VENT ASSEMBLY		
MFG				
APPROVED				
		SIZE	DWG NO	REV
		D	TWO WAY DRYER VENT	
		SCALE	SHEET 1 OF 1	



DRAWN	JOSEPH VALENTI	7/6/2014	LAMBRO INDUSTRIES, INC.		
CHECKED			TITLE		
QA			BASE		
MFG			REV		
APPROVED			SIZE	DWG NO	REV
			D	BASE	
			SCALE	SHEET 1 OF 1	

4

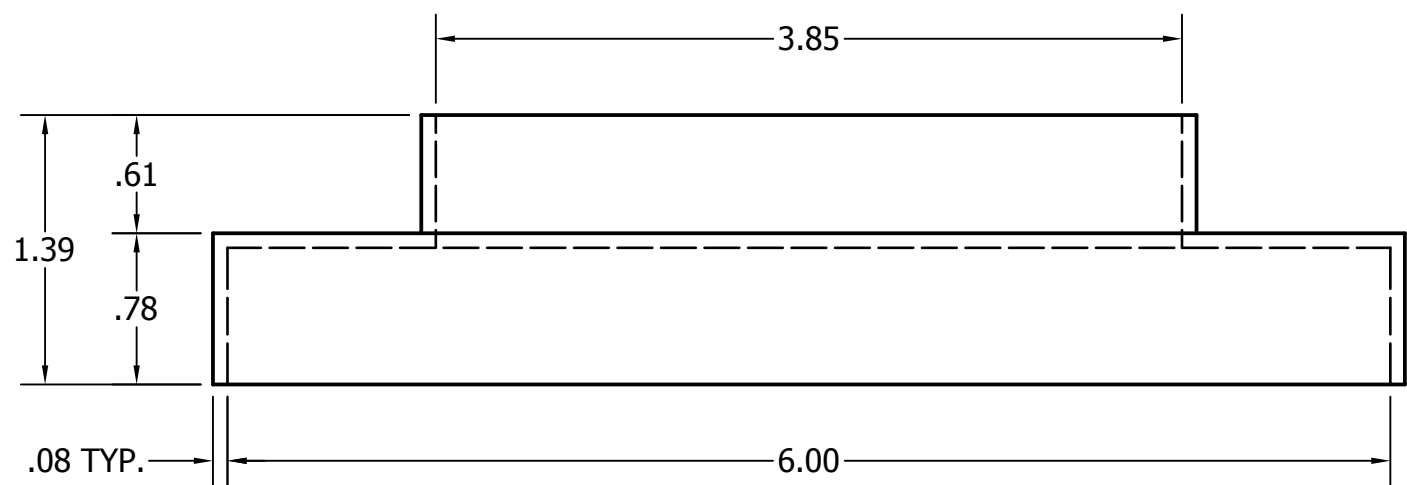
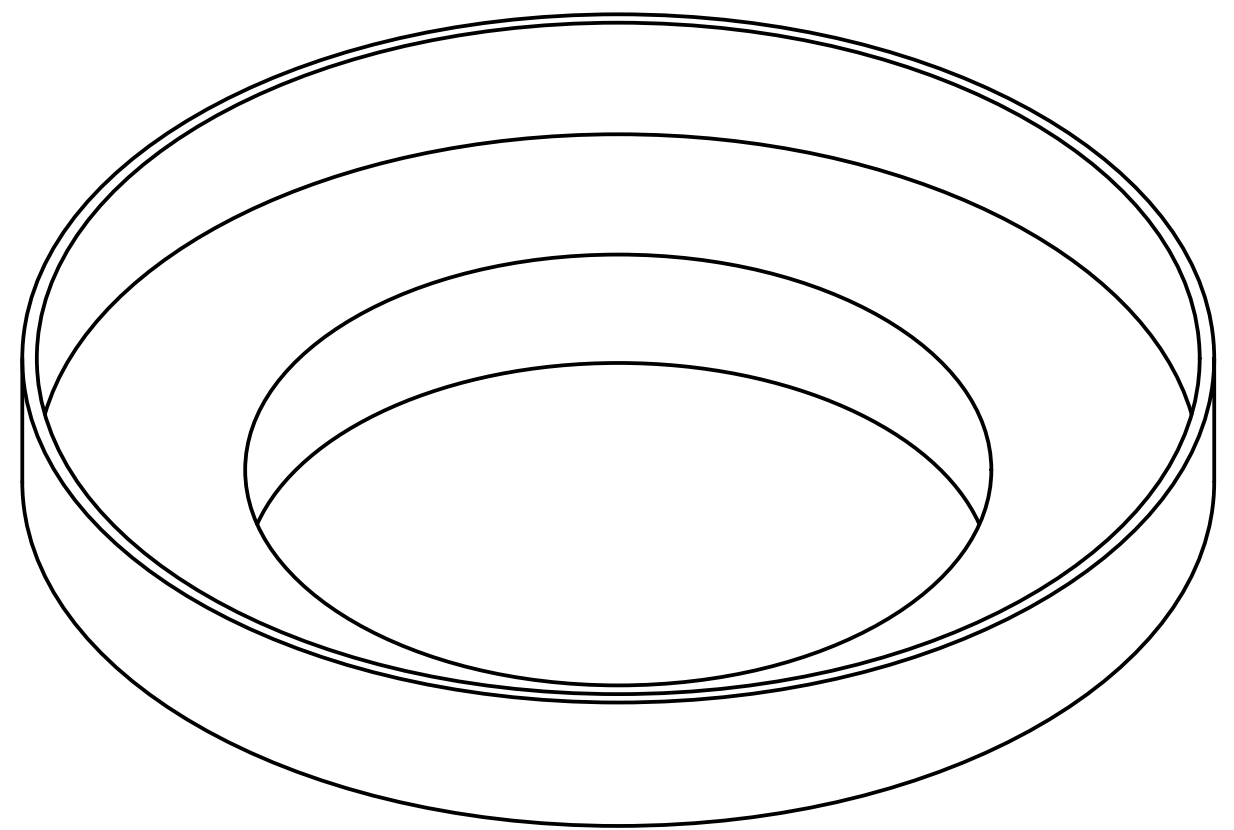
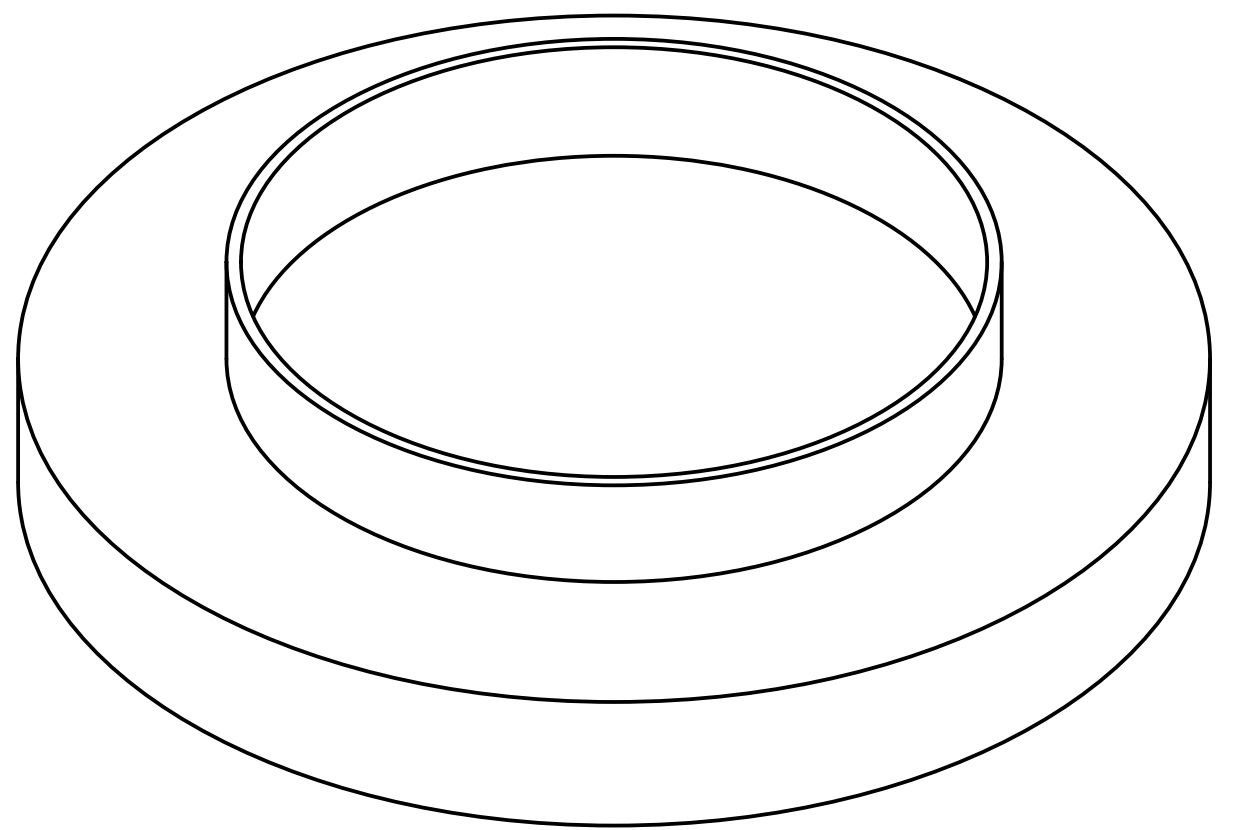
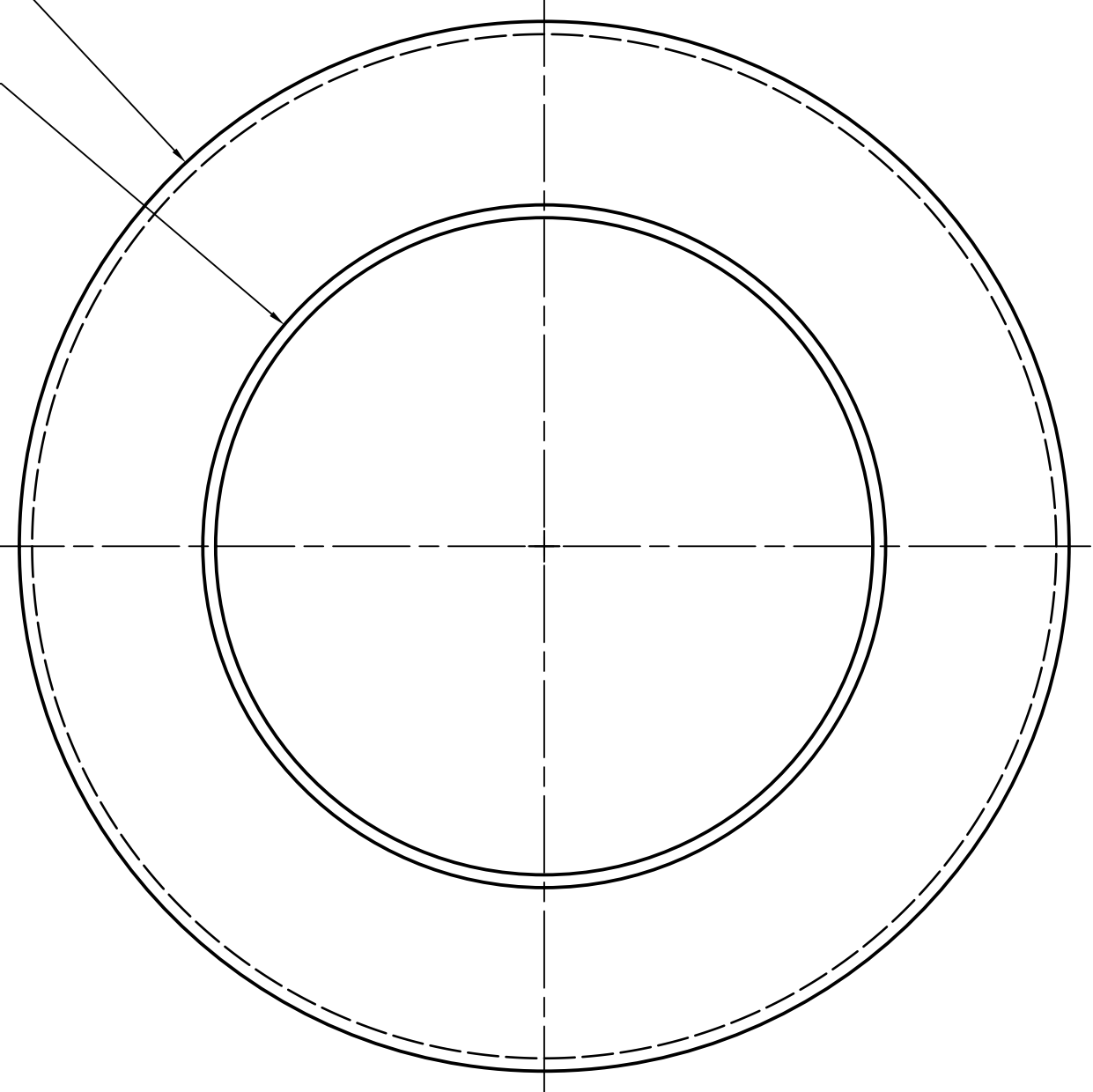
3

2

1

Ø6.15

Ø4.00



DRAWN JOSEPH VALENTI	7/6/2014	LAMBRO INDUSTRIES, INC.		
CHECKED		TITLE		
QA		FIXTURE CAP		
MFG		SIZE C	DWG NO CAP	REV
APPROVED		SCALE	SHEET 1 OF 1	

4

3

2

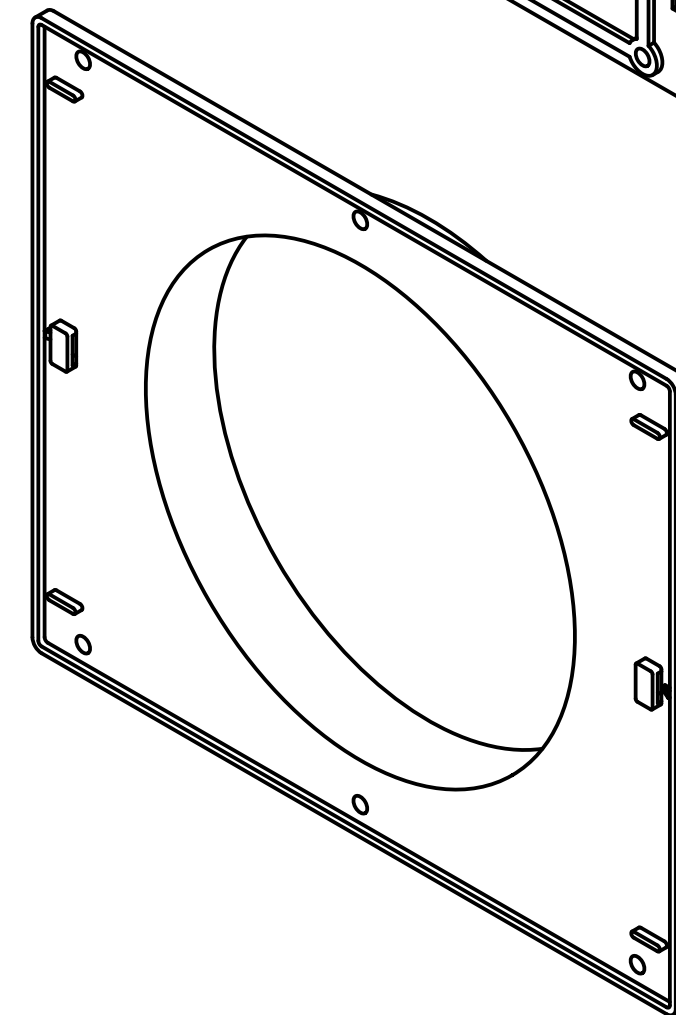
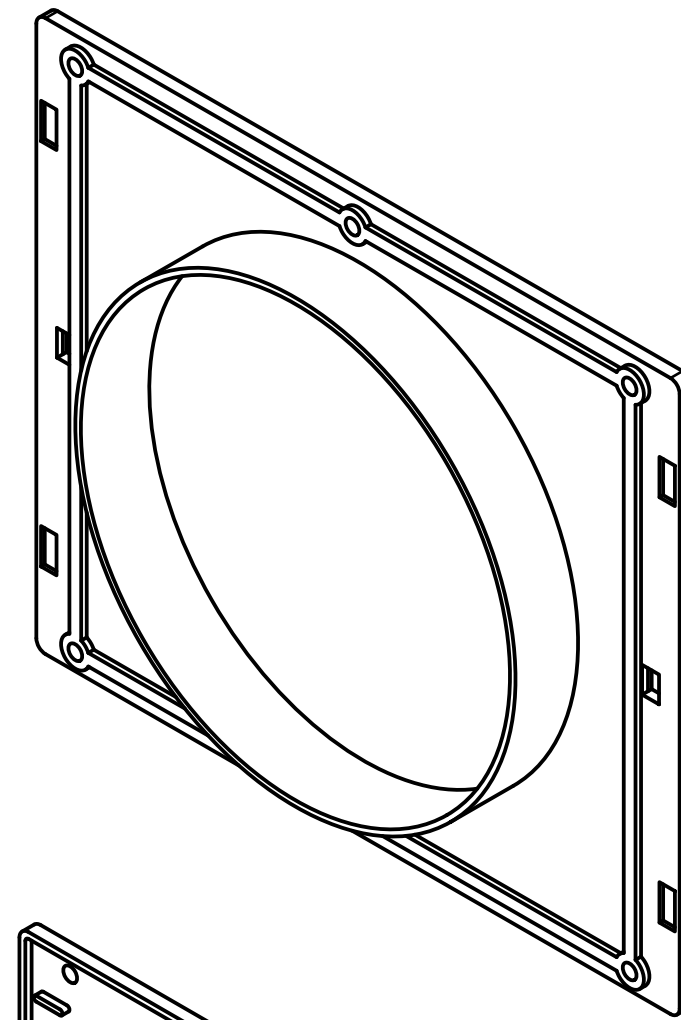
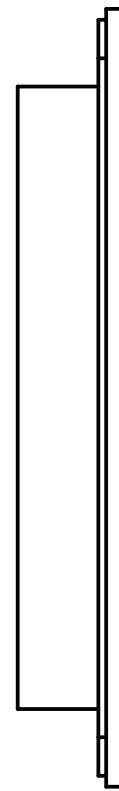
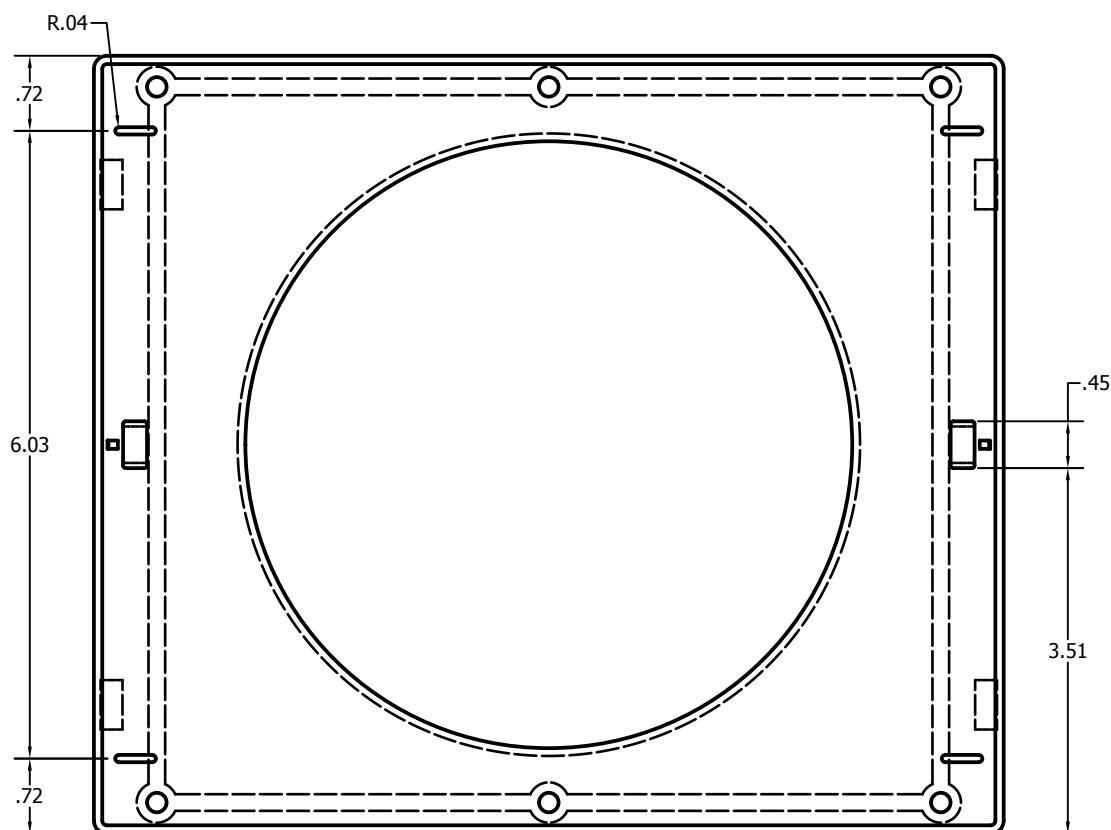
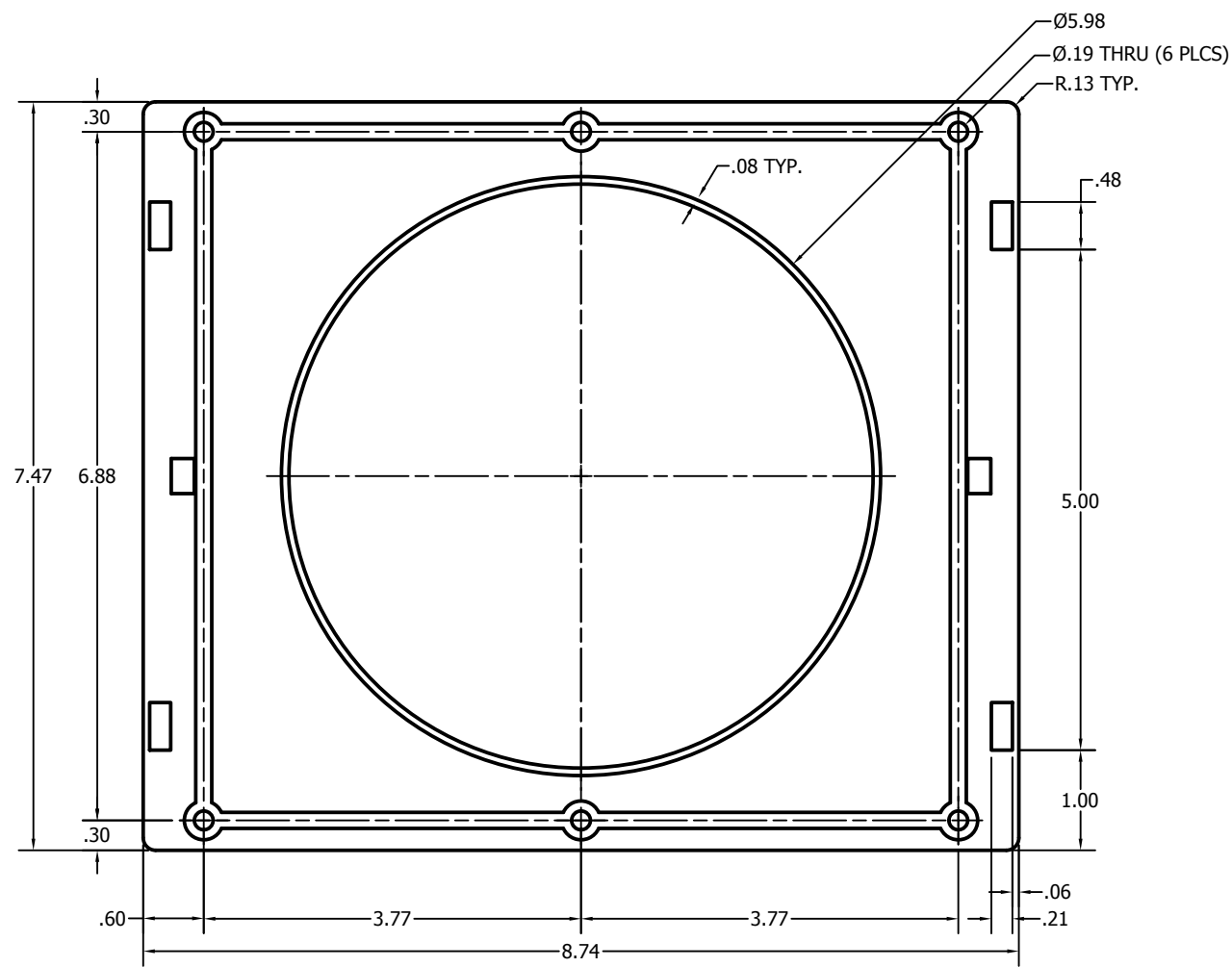
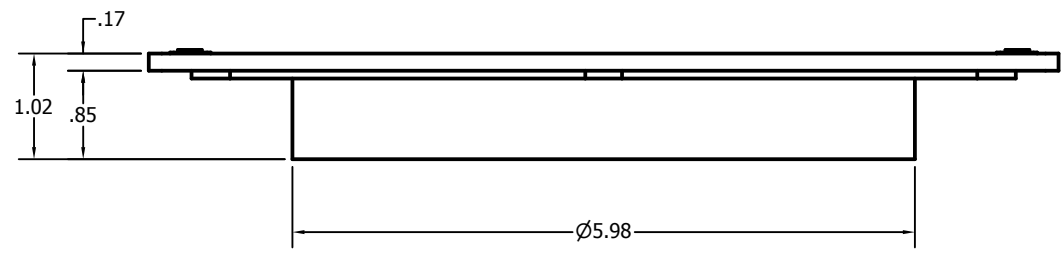
1

4

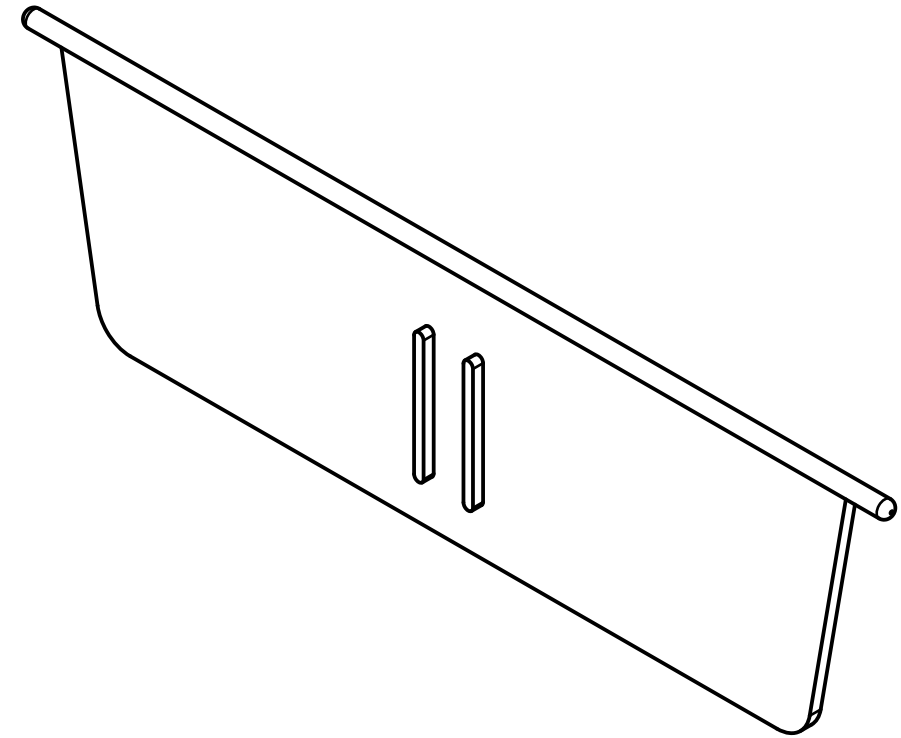
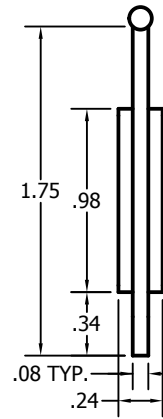
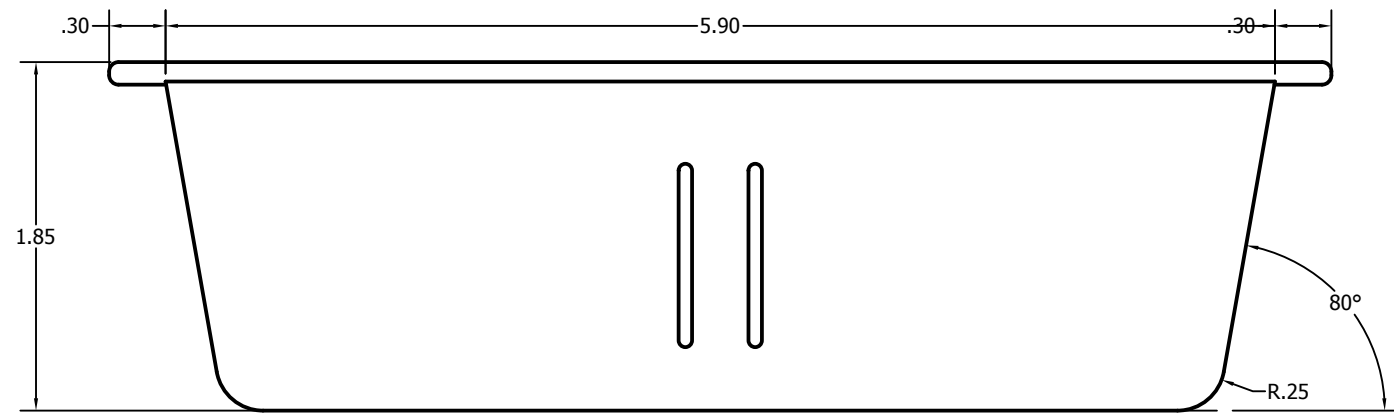
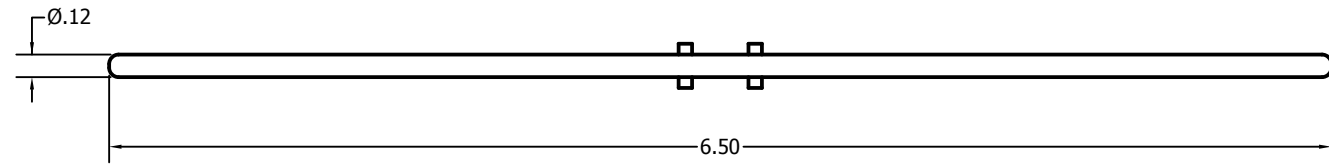
3

2

1



DRAWN	JOSEPH VALENTI	7/6/2014	LAMBRO INDUSTRIES, INC.		
CHECKED			TITLE		
QA			COVER		
MFG			SIZE	DWG NO	REV
APPROVED			D	COVER	
			SCALE	SHEET 1 OF 1	



DRAWN JOSEPH VALENTI	7/6/2014	LAMBRO INDUSTRIES, INC.		
CHECKED		TITLE		
QA		VENT FLAP		
MFG		SIZE	DWG NO	REV
APPROVED		C	VENT FLAP	
		SCALE	SHEET 1 OF 1	

4

3

2

1

D

D

C

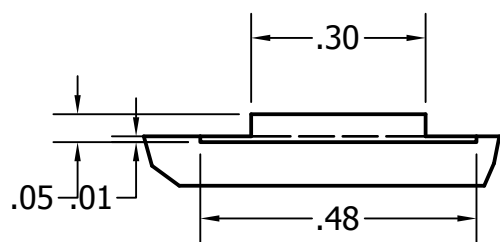
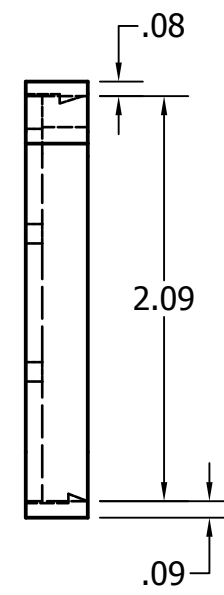
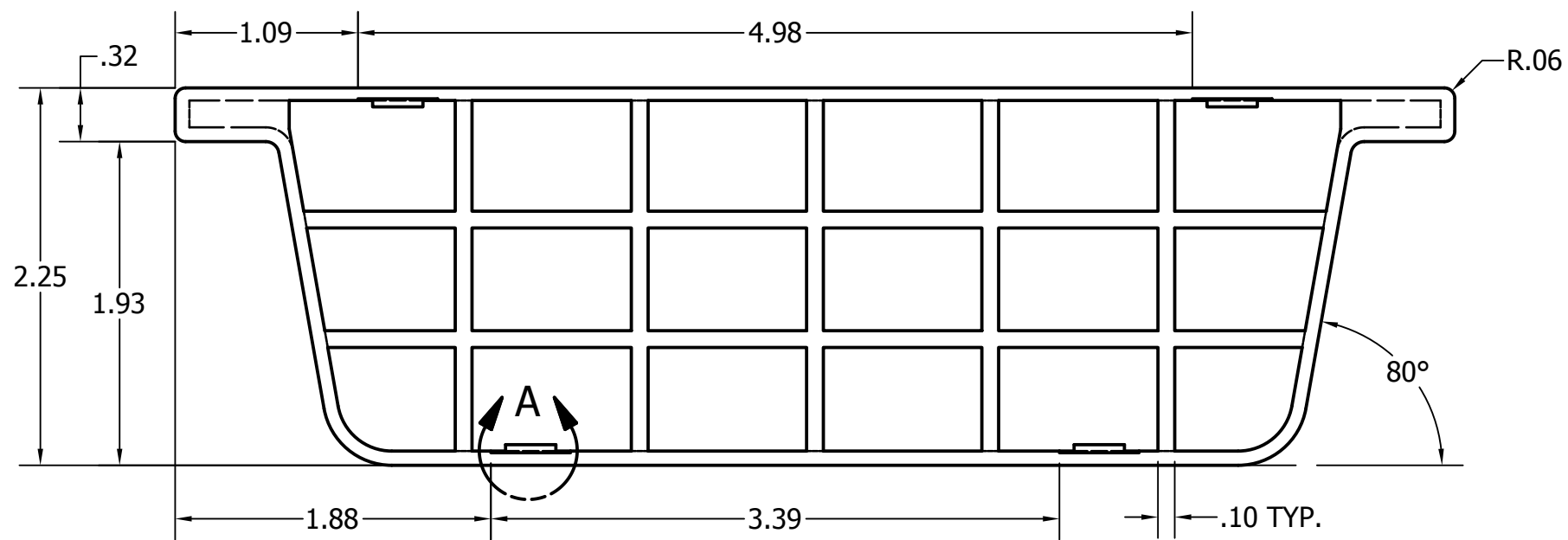
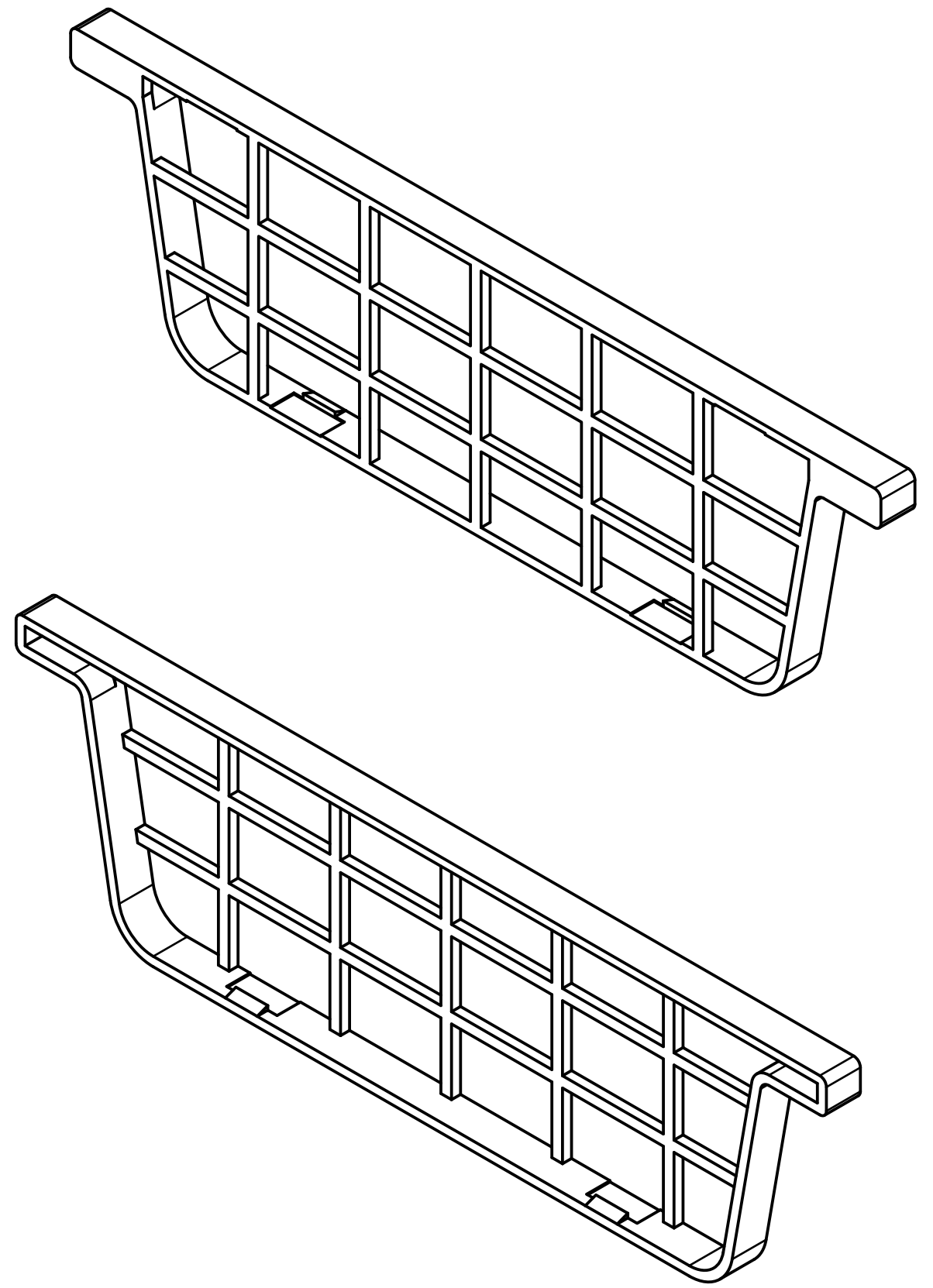
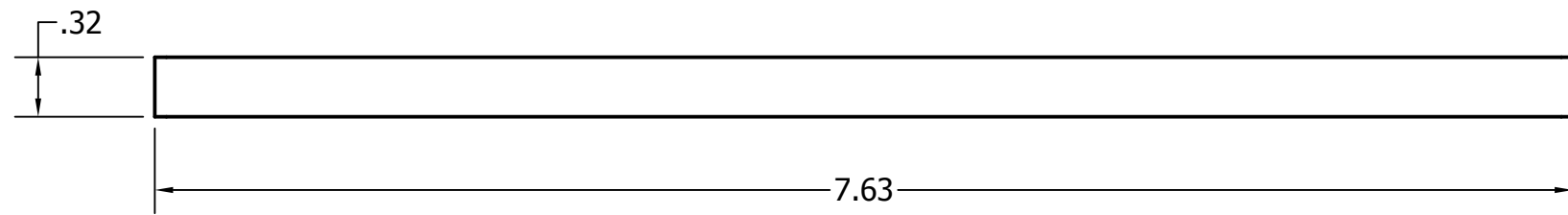
C

B

B

A

A



DETAIL A



DRAWN JOSEPH VALENTI	7/6/2014	LAMBRO INDUSTRIES, INC.		
CHECKED		TITLE		
QA		SIDE COVER		
MFG		SIZE C	DWG NO SIDE COVER	REV
APPROVED		SCALE	SHEET 1 OF 1	