

Decora Smart™ with Wi-Fi Technology



Wi-Fi Product Family

The Decora Smart with Wi-Fi Technology family features in-wall dimmers, a switch, and plug-in modules for appliances and lamps. Control using the free My Leviton app for iOS and Android, no hub required.

Simplify control of the residence – schedule lights and connected loads to turn on/off at specific times or based on sunrise/sunset, easily group smart devices into rooms, and create scenes to activate multiple lights at once.

Integrate with IFTTT and Nest, utilize auto-shutoff feature as a countdown timer in closets, hallways and bathrooms; plus engage home vs. away to enact randomization of lighting control, providing a lived-in appearance.

APP CONTROL:

Remote Access from Anywhere, No Hub Required! Use the free “My Leviton” app devices to easily add new devices to your home. Create schedules like “Good Morning” to activate appropriate lighting at preset times. For instance, at 6:30AM every Monday through Friday, turn the bedroom lights to 25% and master bath lights to 50%. As well, Activities can be created so that you can manually set the lighting for “Movie Time” from the app as you begin your movie.

WORKS WITH NEST®:

Add lighting control to your Nest ecosystem. Turn Leviton lights on if a Nest Cam™ detects motion in an area. Adjust Leviton lights based on when Nest says you are home or away. Set illumination time durations and even “blink” all lights during an emergency situation.

AMAZON ALEXA VOICE CONTROL:

Compatible with all products that support Amazon Alexa providing voice control of the load: “Alexa, dim living room lights to 25%”.

GOOGLE ASSISTANT VOICE CONTROL:

”Ok Google, turn [My Leviton device name] On”. Works with the Google Assistant. Google Home is a voice enabled speaker powered by the Google Assistant. Easily control smart devices around the home.

LOW-WATTAGE LED LOADS:

Engineered to function with extremely sensitive, low-wattage light sources, such as a single LED bulb in a hallway or a strand of holiday lights, ensuring LEDs do not glow when off.

AESTHETICS:

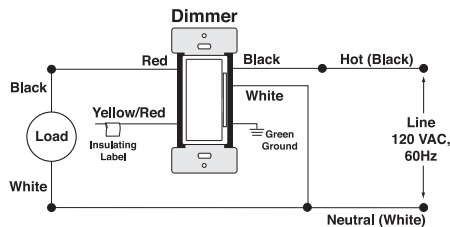
In-wall dimmers and switches boast the new Leviton design with true rocker action, pressing the top to turn on and the bottom to turn off. For the 600W and 1000W dimmers, the dim/brighten bar is conveniently located along the right side of the paddle, ensuring ease of use. Vanishing LEDs to the left of the dimmer paddle show current and target light level with real-time feedback. To meet any decor, color change kits are available in white, ivory, light almond, gray, black, and brown. For the most professional installation, pair the device with an optional Leviton screwless wallplate.

Features and Benefits

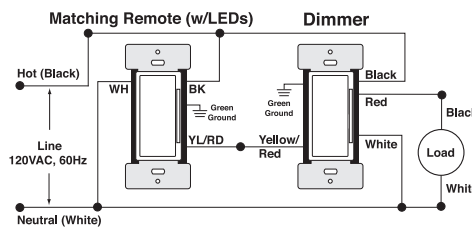
- No hub required
- Voice control using Amazon Alexa or Google Assistant
- Works with Nest
- Integrate with IFTTT to expand control
- Scheduling, remote access, and control via the My Leviton app for iOS and Android
- Control up to 99 devices, 50 schedules, 50 activities, 50 rooms, 50 scenes, and 20 residences within the My Leviton app
- Six color change kits available
- Remotes available for 3-way/multi-location control
- Limited 5-year warranty

DW1KD 1000W Dimmer with Wi-Fi Technology

SINGLE POLE WIRING DIAGRAM



THREE-WAY WIRING DIAGRAM

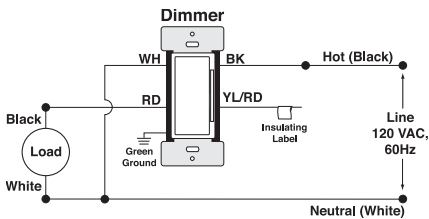


Agency Standing and Compliance

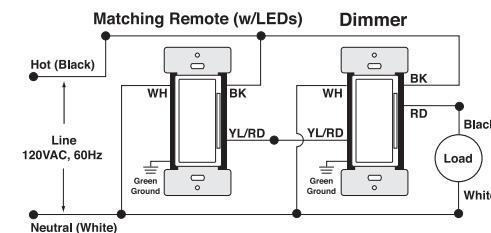
- Complies with UL 1472
- CSA Certified (File #003413)
- NOM-ANCE Certified
- Wi-Fi CERTIFIED™
- Complies with FCC Part 15, Class B

DW6HD 600W Dimmer with Wi-Fi Technology

SINGLE POLE WIRING DIAGRAM



THREE-WAY WIRING DIAGRAM

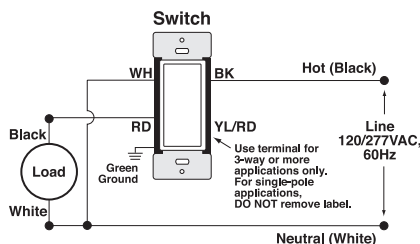


Agency Standing and Compliance

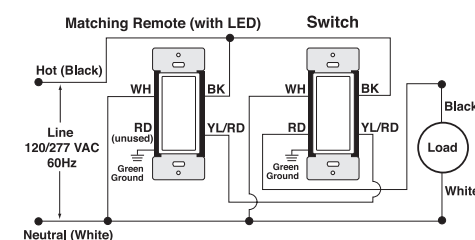
- Complies with UL 1472
- CSA Certified (File #003413)
- NOM-ANCE Certified
- Wi-Fi CERTIFIED™
- Complies with FCC Part 15, Class B

DW15S Switch with Wi-Fi Technology

SINGLE POLE WIRING DIAGRAM



THREE-WAY WIRING DIAGRAM

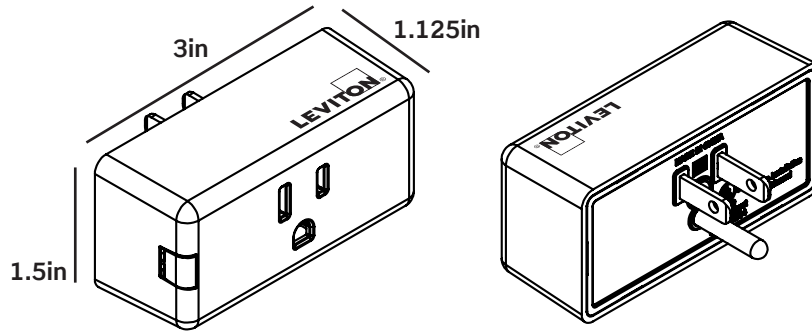


Agency Standing and Compliance

- Complies with UL 917
- CSA Certified (File #003413)
- NOM-ANCE Certified
- Wi-Fi CERTIFIED™
- Complies with FCC Part 15, Class B

Dimensional Drawings

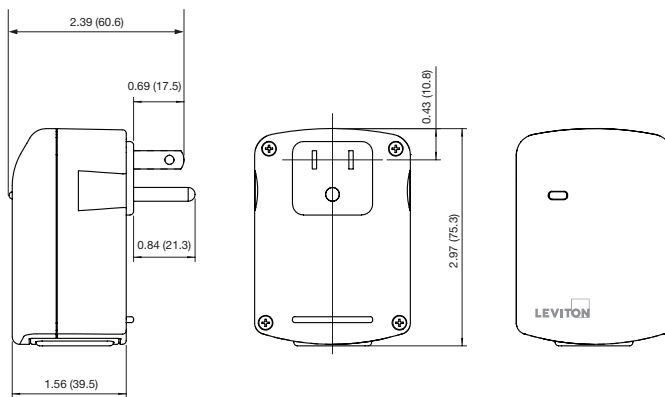
DW15P Plug-in Outlet with Wi-Fi Technology



Agency Standing and Compliance

- cULus Listed, Energy Mgmt Equip. 9D34
- NOM (Mexico)
- Wi-Fi CERTIFIED™
- Complies with FCC Part 15, Class B
- FCC ID: VPY-LB1GC
- IC:772C-LB1GC

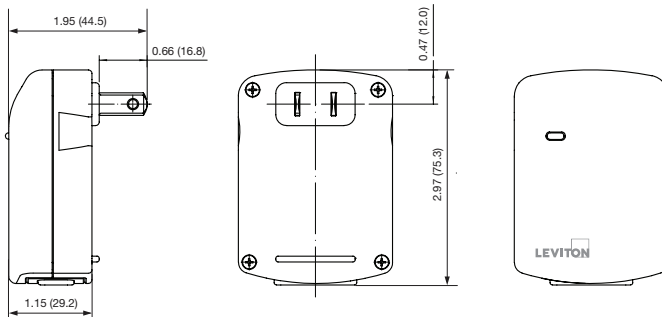
DW15A Plug-in Outlet with Wi-Fi Technology



Agency Standing and Compliance

- Complies with UL 917
- CSA Certified (File #003413)
- NOM-ANCE Certified
- Wi-Fi CERTIFIED™
- Complies with FCC Part 15, Class B

DW3HL Plug-in Outlet with Wi-Fi Technology



Agency Standing and Compliance

- Complies with UL 1472
- CSA Certified (File #003413)
- NOM-ANCE Certified
- Wi-Fi CERTIFIED™
- Complies with FCC Part 15, Class B

Ordering Information

Description	Cat. No.
1000W Dimmer with Wi-Fi Technology	DW1KD-1BZ
600W Dimmer with Wi-Fi Technology	DW6HD-1BZ
15A Switch with Wi-Fi Technology	DW15S-1BZ
Decora Smart Wi-Fi Mini Plug-In Outlet: 15A General Use / 5A LED/CFL	DW15P-1BW
Plug-in Outlet with Wi-Fi Technology	DW15A-1BW
Plug-in Dimmer with Wi-Fi Technology	DW3HL-1BW
Matching Dimmer Remote	DD00R-DLZ
Coordinating Switch Remote	DD0SR-1
Matching Switch Remote	DD0SR-DLZ
Switch Color Change Kit (Black, Gray, Brown, Ivory, Light Almond, White)	DDKIT-S
Dimmer Color Change Kit (Black, Gray, Brown, Ivory, Light Almond, White)	DDKIT

For the most professional and cleanest installation, pair the device with an optional Leviton screwless wallplate and utilize color change kits to match any decor.

Leviton Manufacturing Co., Inc. Global Headquarters

201 North Service Road, Melville, NY 11747-3138
Tel: 1-800-323-8920 Fax: 1-800-832-9538
Tech Line: (8:30AM-7:00PM ET Monday-Friday): 1-800-824-3005

Leviton Manufacturing Co., Inc. Energy Management, Controls and Automation

865 Fulton St., Suite 500, New Orleans, Louisiana, 70130
Tel: 1-504-608-9001.

Visit our website at: leviton.com/decorasmart

©2018 Leviton Manufacturing Co., Inc. All rights reserved.

