

# Specifications

## Impact Wrench

Double Insulation

Variable Speed (TW0200 only)

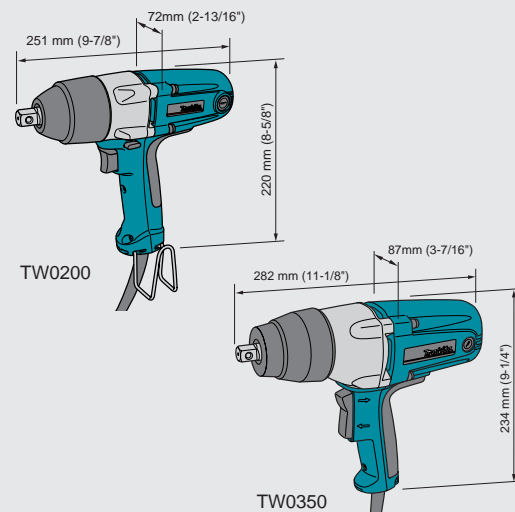
Reversing

Plastic Carrying Case

	Model TW0200	Model TW0350
Capacities		
Standard bolt	M10 – M16	M12 – M22
High Tensile bolt	M10 – M12	M12 – M16
Square drive	12.7 mm (1/2")	12.7 mm (1/2")
Impact per minute	0 – 2,200 min <sup>-1</sup> (bpm)	2,000 min <sup>-1</sup> (bpm)
Continuous rating		
Input	380 W	400 W
No load speed	0 – 2,200 min <sup>-1</sup> (rpm)	2,000 min <sup>-1</sup> (rpm)
Max. fastening torque	200 N·m (150 ft·lb)	350 N·m (260 ft·lb)
Overall length	251 mm (9-7/8")	282 mm (11-1/8")
Net weight	2.1 kg (4.6 lbs)	2.9 kg (6.4 lbs)
Power supply cord	2.5 m (8.2 ft.)	2.5 m (8.2 ft.)

Specifications may differ from country to country.

## Dimension



A world's leading manufacturer of power tools

Double Insulation

Variable Speed (TW0200 only)

Reversing

Plastic Carrying Case

# Impact Wrench

## Model TW0200 / TW0350

### New Generation Impact Wrench series



**NEW**

## Standard equipment

### Impact Wrench

Plastic carrying case  
Socket 24-45

The standard equipment for the tool shown may differ from country to country.

## Optional accessories

### Impact Wrench

Socket	For Model	A (mm)	L (mm)	Part No.	Extension bar (With pin and O ring)	
					L (mm)	Part No.
Square drive 12.7 (mm) (With pin and O ring)	TW0200	17	38	134829-3	100	134874-8
		17	52	134830-8		
		19	38	134831-6		
		19	52	134832-4		
		19	78	134837-4		
		21	38	134838-2		
		21	52	134833-2		
		21	78	134839-0		
		22	38	134851-0		
		22	52	134834-0		
	TW0350	23	38	134840-5		
		23	52	134835-8		
		24	45	134841-3		
		24	52	134836-6		
		26	50	134842-1		
		26	78	134843-9		
		27	50	134844-7		
		27	78	134845-5		
		30	50	134846-3		
		30	78	134847-1		
		32	50	134848-9		
		32	78	134849-7		
					Universal joint (With pin and O ring)	
					For use in a limited space where the tool cannot be held in line with the axis of the bolt or nut.	
					L (mm) Part No.	
					84	134877-2
					Bit adapter assembly (With pin and O ring)	
					Part No.	
					134873-0	
					Phillips bit (3 per pkg.)	
					• Hard type (1 per pkg.)	
					Size L (mm) Part No.	
					45	798308-1
					• 45	784229-3
					65	798309-9
					• 65	784230-8
					110	798337-4
					Size L (mm) Part No.	
					No.2	45 798310-4
					No.3	65 798311-2
						110 798339-0

Makita Corporation

3-11-8, Sumiyoshi-cho, Anjo, Aichi 446-8502, Japan

PRINTED IN JAPAN Z23084-2 2003-5

# Incredibly High Torque / TW0350

## Compact body for superior handling / TW0200



**TW0200** Max. fastening torque  
200 N·m



1. Push button type reverse switch

2. Variable speed switch (TW0200)

3. Toolless detachable belt clip (TW0200)  
Can be attached on both left and right sides without any tool!

4. High rigid aluminum internal gear case and hammer case

5. Externally accessible carbon brush for easy replacement

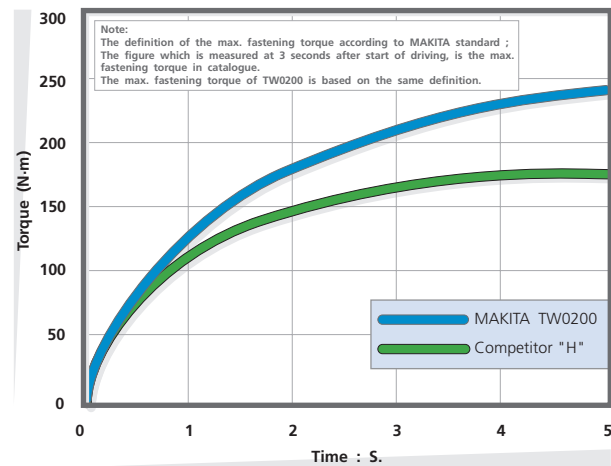
6. Palm fitting soft grip

7. Rocker switch provides easy reversing (TW0350)

**TW0350** Max. fastening torque  
350 N·m

### Fastening Speed

Fastening high tensile bolt M16



Fastening high tensile bolt M20

