

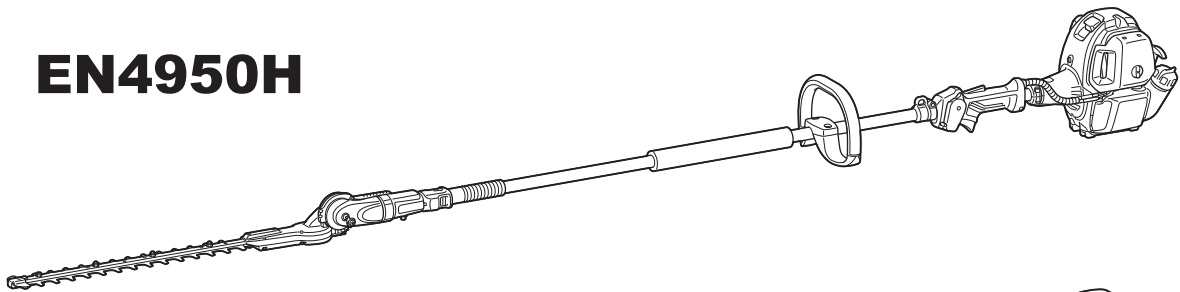


## Owner's and Safety Manual for Pole Hedge Trimmer

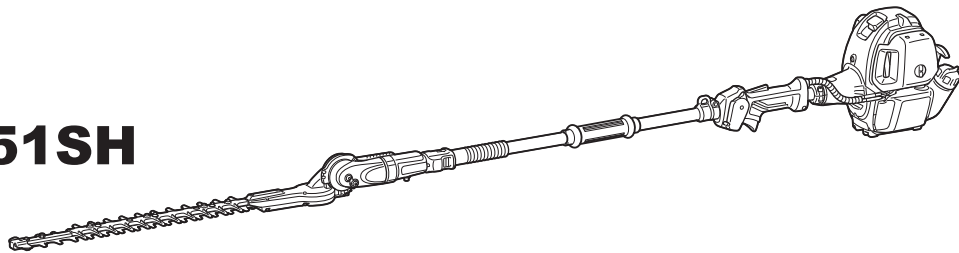
## Manuel d'emploi et de sécurité du Taille-Haie Thermique Sur Perche

## Manual de empleo y de seguridad para el Cortasetos de Extensión a Gasolina

**EN4950H**



**EN4951SH**



**WARNING!**

Read and understand this Manual. Always follow safety precautions in the Manual.  
Improper use can cause serious injury!

**AVERTISSEMENT !**

Lisez et comprenez ce manuel. Suivez toujours les précautions de sécurité du Manuel.  
Une utilisation inappropriée peut être à l'origine de blessures graves.

**¡ADVERTENCIA!**

Lea y comprenda este manual. Siga siempre las precauciones de seguridad descritas en el manual.  
¡El uso incorrecto puede causar graves lesiones!

Thank you very much for choosing the MAKITA pole hedge trimmer. We are pleased to offer you a product that is the result of an extensive development program and many years of knowledge and experience.

To safely obtain the best possible results from your MAKITA pole hedge trimmer, please read this manual thoroughly before using the machine, and follow all instructions given herein to assure proper operation of the MAKITA pole hedge trimmer.



**Table of Contents**

**Page**

Symbols.....2  
 Safety instructions .....3  
 Technical data.....7  
 Designation of parts.....8  
 Assembly .....9  
 Shoulder strap (optional accessory).....9  
 Fuel/refuelling .....10  
 Precautions before starting the engine.....12  
 Operating the pole hedge trimmer.....15  
 Maintenance .....17  
 Storage .....22  
 Troubleshooting.....24

**SYMBOLS**

Please note the following symbols when reading this instruction manual.

	WARNING/DANGER		Beware of pinching
	Before usage, carefully read and fully understand the instructions in this manual		Beware of electrical lines, risk of electrical shock
	PROHIBITION		Fuel (Gasoline)
	No smoking		Engine manual-start
	No naked flame		Emergency stop
	Wear protective shoes		First aid
	Wear protective gloves		ON/START
	Keep working area clear of persons and pets		OFF/STOP
	15 m (50 ft)		
	Wear a protective helmet and eye and ear protection		

# SAFETY INSTRUCTIONS

## General Instructions

- Before usage, carefully read this manual and thoroughly familiarize yourself with how to correctly handle the pole hedge trimmer. **THIS EQUIPMENT CAN CAUSE SERIOUS INJURY IF USED IMPROPERLY!**
- Always provide detailed instructions on how to correctly use the pole hedge trimmer when lending the equipment to another person. Make sure that the instruction manual is handed over together with the pole hedge trimmer.
- First-time users should ask their dealer for basic instructions on the correct handling of the pole hedge trimmer.
- Store this manual in a location where it is easily accessible for quick reference.
- Do not allow persons under the age of 18 to operate the pole hedge trimmer. Individuals over 16 years old, however, may use the pole hedge trimmer for training purposes if under the constant supervision of an adult familiar with the operation of the pole hedge trimmer.
- Always use the pole hedge trimmer with the utmost care and attention.
- Never attempt to modify the equipment.
- Follow the regulations about handling of pole hedge trimmers in your country.
- Serious injury may result if the pole hedge trimmer is used in the following circumstances. Do not use the pole hedge trimmer:
  - When feeling tired or ill.
  - After consumption of alcohol and/or medication.
  - At night or in poor lighting conditions.
  - During pregnancy.

## Intended use

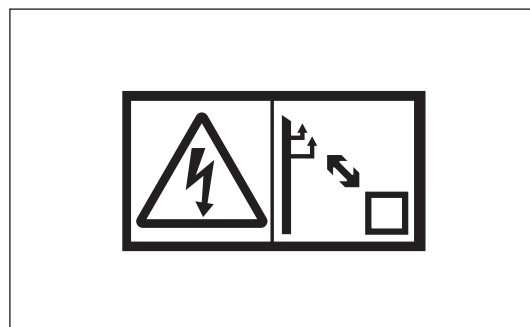
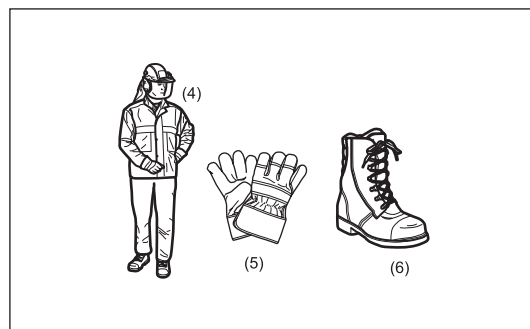
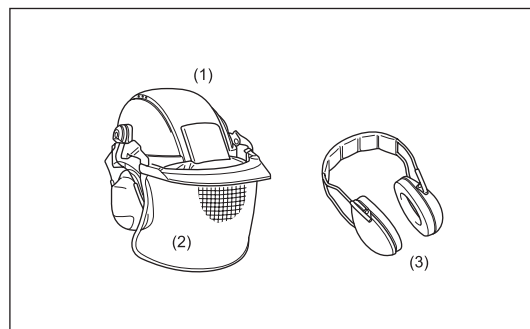
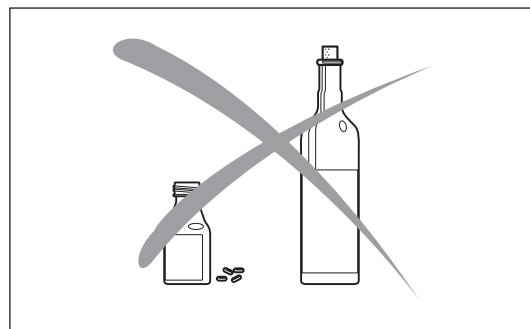
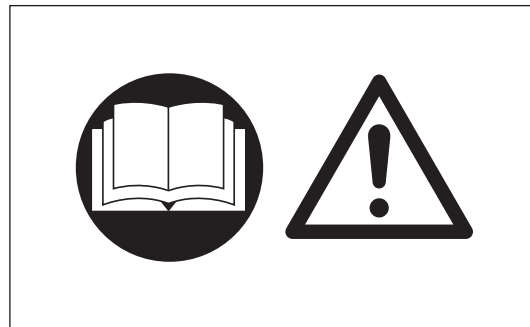
- This pole hedge trimmer has been designed for the sole purpose of trimming hedges and bushes. Do not use the pole hedge trimmer for any other purposes.

## Personal protective equipment

- Clothes worn should be functional and tight-fitting without restricting movement. Do not wear clothing or jewelry that could get entangled in underbrush or in the machine.
- For adequate protection against injuries to head, eyes, feet, hands, as well as hearing impairment, the following protective equipment and clothing must be used when working with the pole hedge trimmer.
- To prevent injury to the head or the eyes, always wear a protective helmet (1) with goggles or a visor (2).
- To avoid hearing impairment, wear adequate ear defenders (3) at all times.
- Use of a well-fitting work overalls (4) is strongly recommended.
- Always wear rugged, leather working gloves (5) when operating the pole hedge trimmer.
- When using the pole hedge trimmer, always wear sturdy shoes (6) with a non-slip sole. Special work shoes ensure good footing and protect against injury.
- When touching blades or blade unit, wear protective gloves. Blades can cut bare hands severely.

## Work area safety

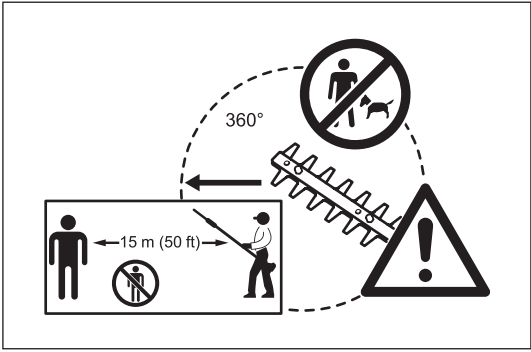
- **⚠ DANGER:** Keep the pole hedge trimmer away from electric lines and communication cables. Touching or approaching high-voltage lines with pole hedge trimmer can result in death or serious injury. Watch power lines and electrical fences around the work area before starting operation.
- Start and operate the engine only outdoors in a well ventilated area. Operation in a confined or poorly ventilated area can result in death due to suffocation or carbon monoxide poisoning.
- During operation, keep bystanders, in particular children, or animals at least 15 m away from the pole hedge trimmer. Stop the engine as soon as someone approaches.
- Before operation, examine the work area for wire fences, stones, or other solid objects. They can damage the blades.
- **⚠ WARNING:** Use of this product can create dust containing chemicals which may cause respiratory or other illnesses. Some examples of these chemicals are compounds found in pesticides, insecticides, fertilizers and herbicides. Your risk from these exposures varies, depending on how often you do this type of work. To reduce your exposure to these chemicals: work in a well ventilated area, and work with approved safety equipment, such as those dust masks that are specially designed to filter out microscopic particles.



### Starting the pole hedge trimmer

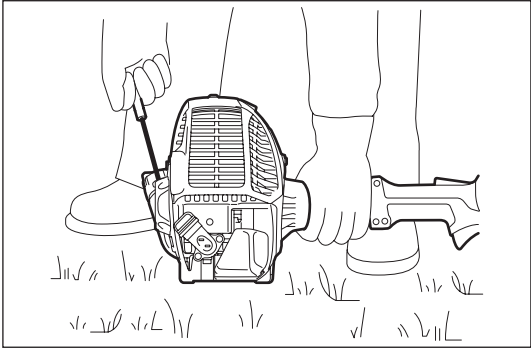
- Before assembling or adjusting the equipment, switch off the engine and remove the spark plug cap.
- Before starting the pole hedge trimmer, always make sure that the machine is in safe operational condition.
- Never attempt to start the engine if the equipment is damaged.
- Check the operation of the throttle lever safety mechanism. The lock-off lever should have a smooth and easy action. Make sure that the lock-off lever functions properly. Check that the handles are clean and dry and test the STOP switch to ensure that it is functioning properly.

Always start the pole hedge trimmer in accordance with the directions provided in this instruction manual.



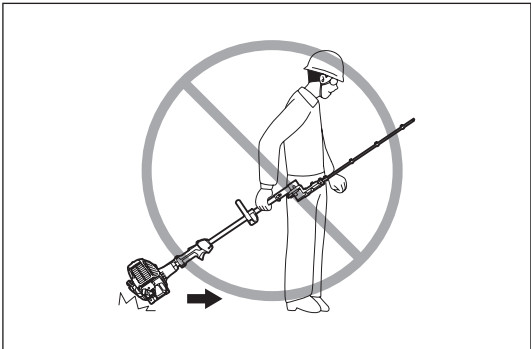
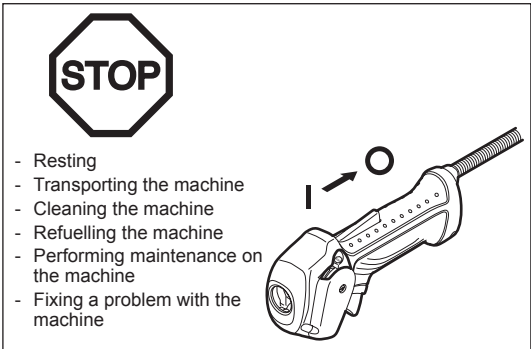
### Follow the instructions below to start the pole hedge trimmer

- Start the pole hedge trimmer only after the machine has been completely assembled and all accessory parts have been attached.
- When starting the engine, keep the blades clear of your body and other object, including the ground. The blades may move when starting and may cause serious injury or damage to the blades and/or property.
- Before starting the engine, make sure that cutter blades are not obstructed by any foreign objects such as stones, branches, etc.
- Stop the engine immediately if engine problems occur.
- When pulling the starter knob, hold the equipment firmly against the ground by your left hand. Never step on the drive shaft.
- If the blades move at idle, stop the engine and adjust the idle speed down.
- When operating the pole hedge trimmer, always maintain a firm grip on both handles. Wrap your fingers tightly around each handle, cradling the handle between thumb and forefinger. To keep the pole hedge trimmer under control at all times, avoid changing your grip during operation. Make sure that the control handles are in good condition and free of moisture, mud, oil or grease.



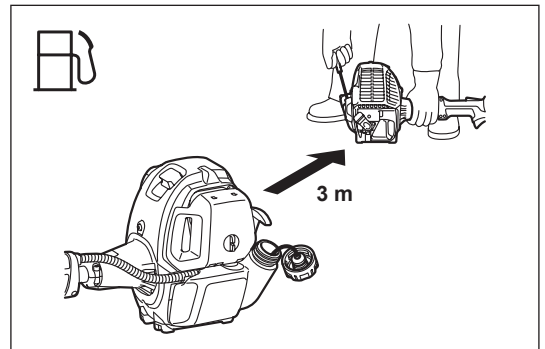
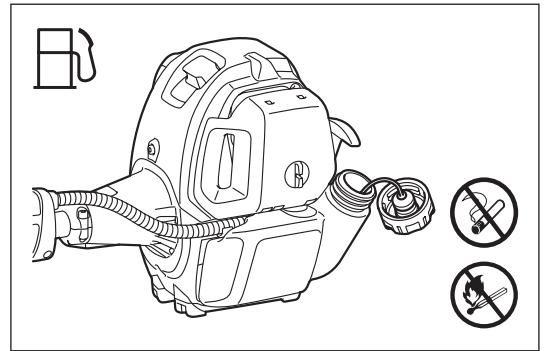
### Always ensure secure and well-balanced footing

- Always stop the engine immediately and discontinue operation if engine trouble occurs or if the machine starts making unusual noise.
- Exhaust fumes are poisonous. Never operate the machine in an enclosed room or tunnel without ventilation (risk of suffocation and gas poisoning). Note that carbon monoxide is an odorless gas. Always make sure that areas where the engine is operated are adequately ventilated.
- Stop the engine when resting, or when the pole hedge trimmer is left unattended. Place the machine in a safe location and make sure that no combustible material is nearby.
- Never place a hot pole hedge trimmer onto dry grass or combustible material.
- To reduce the risk of fire, keep the engine and muffler free of debris, leaves or excessive lubricant.
- Never operate the engine if the muffler is malfunctioning.
- Turn off the engine before transportation.
- Always stop the engine when:
  - Resting
  - Transporting the machine
  - Cleaning the machine
  - Refuelling the machine
  - Performing maintenance on the machine
  - Fixing a problem with the machine
- When carrying the equipment, carry it in a horizontal position by holding the shaft. Keep the hot muffler away from your body.
- When transporting the machine in a vehicle, always securely attach the pole hedge trimmer to avoid leakage of residual fuel.
- Always empty the fuel tank before transporting the pole hedge trimmer in a vehicle.
- When unloading the machine from a vehicle, take extra care not to drop the pole hedge trimmer to the ground, as this may seriously damage the fuel tank.
- Except in an emergency, never drop the pole hedge trimmer as this may seriously damage the machine.
- When transporting the pole hedge trimmer, always lift the machine completely off of the ground. Never drag the engine across the ground as this may damage the fuel tank and possibly cause a fire.
- Always use the cutter cover provided to protect and secure the cutting section of the pole hedge trimmer during transportation and storage.
- If the equipment gets heavy impact or fall, check the condition before continuing work. Check the fuel system for fuel leakage and the controls and safety devices for malfunction. If there is any damage or doubt, ask our authorized service center for the inspection and repair.



## Refuelling

- Before refuelling, stop the engine.
- Never refuel near naked flames.
- Do not smoke when refuelling.
- Always allow sufficient time for the engine to cool down before refuelling.
- Take care not to let your skin come into contact with petroleum products. Do not inhale gasoline fumes and always wear protective gloves when refuelling. Change and clean protective wear at regular intervals.
- Take extra care to avoid spilling gasoline and oil in order to avoid contamination of the ground (environmental protection). If gasoline or oil has been spilled onto the pole hedge trimmer, immediately wipe the surface of the pole hedge trimmer with a rag.  
To avoid spontaneous combustion, allow wet rags to dry sufficiently before discarding them into an appropriate, covered container.
- Make sure that no fuel comes in contact with your clothing. Change fuel-contaminated clothing immediately (fire hazard).
- Close the fuel tank and tighten the fuel tank cap securely. To restart the engine, transfer the pole hedge trimmer to a location at least 3 meters away from the place of refuelling.
- Check the fuel tank cap at regular intervals to make sure that the cap is securely fastened.
- Never refuel the machine in an enclosed room. Fuel vapors accumulate at ground level (risk of explosion).
- Store fuel in appropriate containers only, and make sure that stored fuel is out of the reach of children.



## Operation

- In the event of an emergency, turn off the engine immediately.
- If you feel any unusual condition (e.g. noise, vibration) during operation, switch off the engine. Do not use the pole hedge trimmer until the cause is recognized and solved.
- The blades continue to move for a short period after releasing the throttle trigger or switch off the engine. Don't rush to contact the blades.
- Never attempt to operate the equipment with one hand. Loss of control may result in serious or fatal injury. To reduce the risk of cut injuries, keep your hands and feet away from the blades.
- Keep your right hand under the shoulder height during operation. Otherwise you may lose control and result in injury.
- During operation, never hit the blades against hard obstacles such as stones and metals. Take particular care when cutting hedges next to or against wire fences. When working close to the ground, make sure that no sand, grit or stones get between the blades.
- If the blades come into contact with stones or other solid objects, stop the engine immediately and check the blades for damage after removing the spark plug cap. Replace the blades if damaged.
- Never touch or approach the blades while they are moving. Blades can cut your finger easily. When handling or approaching the blade, stop the engine and remove the spark plug cap.
- If thick branches get jammed in the blades, immediately stop the engine, put the pole hedge trimmer down and then remove the obstruction after removing the spark plug cap. Check the blades for damage before using the equipment again.
- Accelerating the engine with the blades blocked increases the load and may damage the engine and/or clutch.
- Check the cutting blades frequently during operation for cracks or blunt edges. Before the inspection, switch off the engine and wait until the blades stop completely. Replace damaged or dull blades immediately, even if they have only superficial cracks.
- Do not touch the gear case. The gear case becomes hot during operation.
- Take a rest to prevent loss of control caused by fatigue. We recommend to take a 10 to 20-minute rest every hour.
- Before cutting, pull the throttle lever fully to achieve the maximum speed.
- During operation, hold the pole hedge trimmer with both hands at all times.
- Only use the pole hedge trimmer in good light and visibility conditions. Beware of slippery and wet areas (ice and snow) during the cold season (danger of slipping), and always ensure secure footing.
- Never use the pole hedge trimmer while standing on an unstable surface or a steep slope.
- Never use the pole hedge trimmer while standing on a ladder.
- Never climb a tree to use the pole hedge trimmer from the tree.
- To avoid stumbling or falling over objects, never walk backwards when working with the pole hedge trimmer.
- Always stop the engine before cleaning or servicing the machine. Also, refrain from replacing parts before the engine has been stopped.
- Do not operate the pole hedge trimmer if the cutting unit is damaged or worn.

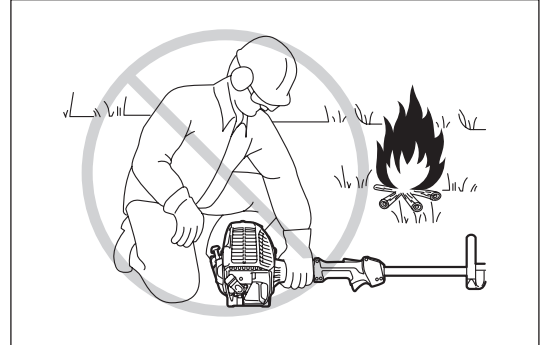


## Vibration

- People with poor circulation who are exposed to excessive vibration may experience injury to blood vessels or the nervous system. Vibration may cause the following symptoms to occur in the fingers, hands or wrists: "Falling asleep" (numbness), tingling, pain, stabbing sensation, alteration of skin color or of the skin. If any of these symptoms occur, see a physician!
- To reduce the risk of "white finger disease", keep your hands warm during operation and well maintain the equipment and accessories.

## Maintenance instructions

- Have your equipment serviced by our authorized service center, always using only genuine replacement parts. Incorrect repair and poor maintenance can shorten the life of the equipment and increase the risk of accidents.
- Always do your utmost to keep pollution and noise emissions as low as possible when operating the pole hedge trimmer. Pay special attention to correct adjustment of the carburetor.
- Clean the pole hedge trimmer at regular intervals and periodically check whether all nuts and bolts are securely tightened.
- Never service or store the pole hedge trimmer in the vicinity of naked flames, sparks, etc.
- Never repair bent or broken blades by straightening or welding. It may cause parts of the blades to come off and result in serious injury. Contact MAKITA authorized service center for MAKITA genuine blades to replace them.
- To prevent further damage and/or personal injury, refrain from repairing a malfunctioning pole hedge trimmer if not qualified to do so. For repairs always contact your dealer or an authorized service agent.



Do not attempt to modify or remodel the pole hedge trimmer as this may affect operation safety.

Maintenance work that can be performed by the user is limited to the activities described in this instruction manual. Any other procedures are to be executed by an authorized service agent.

Request MAKITA authorized service center to inspect and maintain the pole hedge trimmer at regular interval.

Use only genuine spare parts and accessories supplied by MAKITA via authorized service centers.

Use of unauthorized accessories and tools may increase the risk of accident and injury. MAKITA accepts no liability whatsoever for accidents or damage resulting from the use of unauthorized accessories and parts.

## Storage

- Before storing the equipment, perform full cleaning and maintenance. Fit the blade cover.
- Empty the fuel tank before storage, and always store the pole hedge trimmer in a well-ventilated locked room. Make sure the pole hedge trimmer is out of children's reach at all times.
- Do not prop the equipment against something, such as a wall. Otherwise the pole hedge trimmer may fall suddenly and cause an injury.

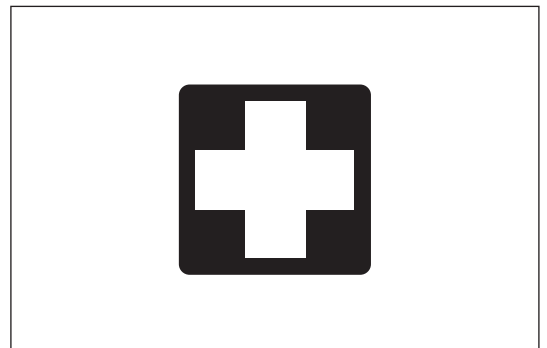
## First aid

As a precaution for the occurrence of an accident, make sure that a fully stocked first aid kit is ready at hand.

Replace any items taken from the first aid kit as soon as possible.

## When asking for help in the case of an emergency, give the following information:

- Place of accident
- What happened
- Number of injured people
- Extent of injuries
- Your name



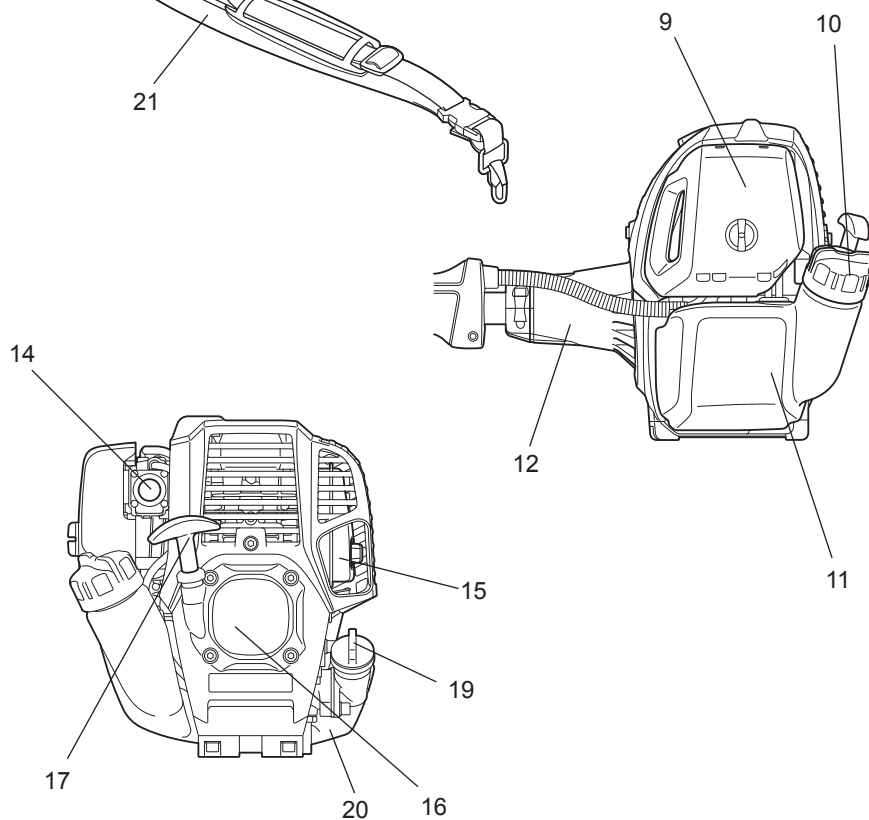
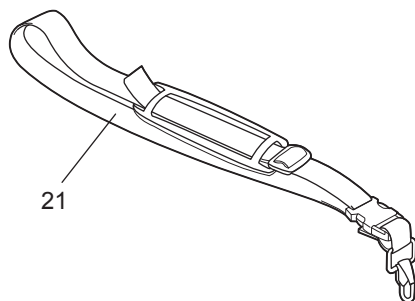
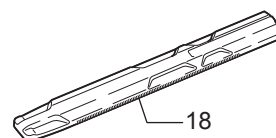
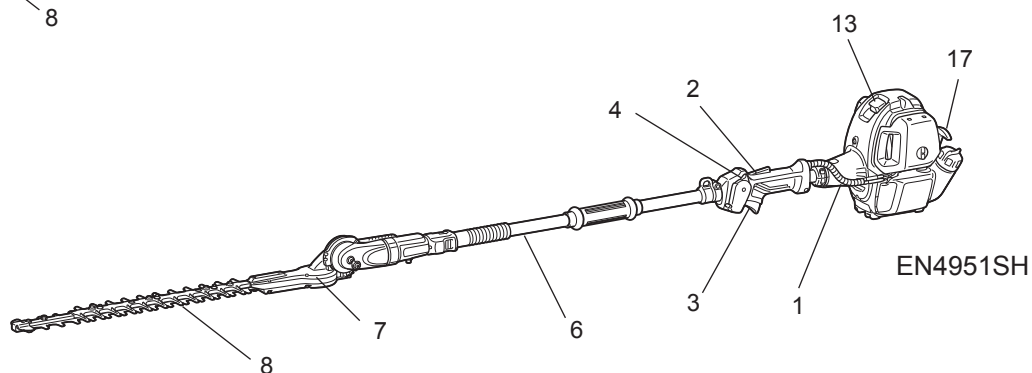
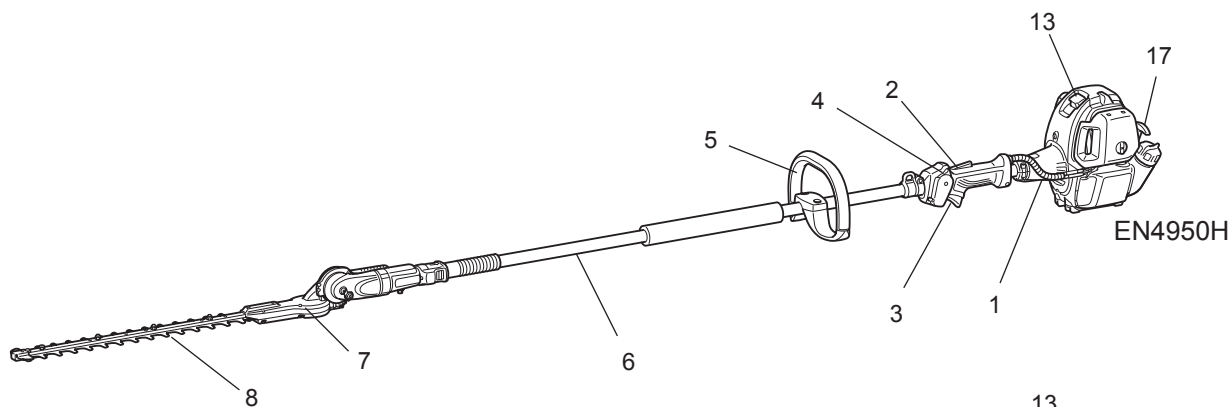
## TECHNICAL DATA

Model	EN4950H	EN4951SH
	Loop handle	Straight handle
Dimensions (L x W x H)	100-3/8" x 9-1/2" x 9-1/2" (2,550 mm x 242 mm x 241 mm)	80-1/2" x 8-3/4" x 9-1/2" (2,050 mm x 221 mm x 241 mm)
Net weight	15.21 lbs (6.9 kg)	14.55 lbs (6.6 kg)
Volume (fuel tank)	36.6 cu.in (0.6 L)	
Cutting length	19-1/4" (490 mm)	
Maximum branch diameter	9/32" (7 mm)	
Cutting strokes	4,200 /min	
Engine type	Air cooled, 4-stroke, single cylinder	
Engine displacement	1.5 cu.in (25.4 cm <sup>3</sup> )	
Maximum engine performance	1.03 hp at 7,000/min (0.77 kW at 7,000 min <sup>-1</sup> )	
Engine speed at recommended max, spindle speed	10,000 RPM	
Fuel consumption	0.33 kg/h	
Specific fuel consumption	408 g/kWh	
Idling speed	3,000 RPM	
Clutch engagement speed	4,400 RPM	
Carburetor (Diaphragm carburetor)	Diaphragm type	
Spark plug type	NGK CMR4A	
Electrode gap	1/32" (0.7 - 0.8 mm)	
Fuel	Automobile gasoline (petrol)	
Engine oil	API grade SF class or higher, SAE 10W-30 oil (automobile 4-stroke engine oil)	
Gear ratio	1/4.78	

(For Canada) NOTE: This spark ignition system complies with the Canadian standard ICES-002.



## DESIGNATION OF PARTS



Designation of parts	
1	Throttle cable
2	Lock-off lever
3	Throttle lever
4	Stop switch
5	Handle
6	Shaft
7	Gear box
8	Cutter blade
9	Air cleaner
10	Fuel tank cap
11	Fuel tank
12	Clutch case
13	Spark plug cap
14	Primer pump
15	Muffler
16	Recoil starter
17	Starter knob
18	Blade cover
19	Oil cap
20	Oil tank
21	Shoulder strap (Optional accessory)



## ASSEMBLY

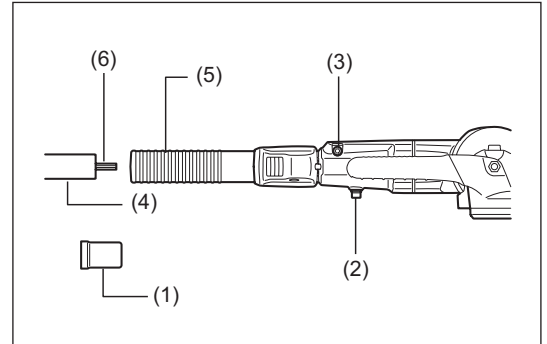
### ⚠ WARNING:

- Make sure that the engine is turned off, and remove the spark plug cap before assembling the pole hedge trimmer.
- Wear protective gloves!
- Secure cutting blades with the blade cover provided when connecting the trimmer unit to the pole.

1. Remove the cap (1) from the shaft.
2. Loosen the M5 x 16 bolt (2) and M5 x 25 bolt (3).
3. Insert shaft (4) into the cover (5).

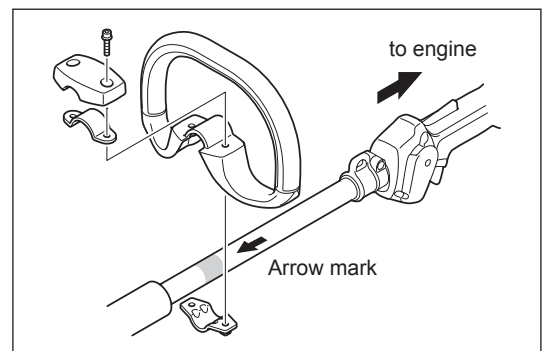
NOTE: Make sure that the shaft is completely inserted into the cover (approx. 237 mm/ 9-3/8").  
If you are having trouble inserting the shaft, manually rotate the drive axle (6) a little and try again.

4. Make sure that the shaft is properly inserted and then tighten the M5 x 16 bolt and the M5 x 25 bolt.



### ATTACHING THE HANDLE (for EN4950H)

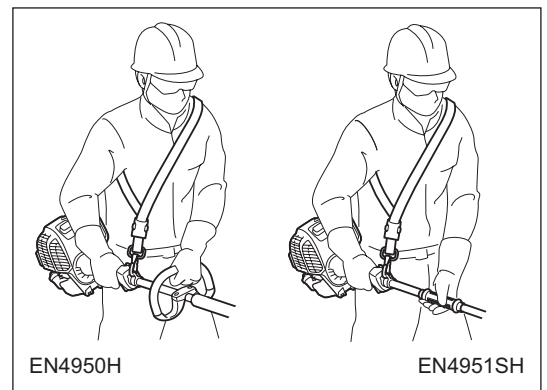
- Fix the loop handle on the shaft as shown.
- To keep a proper distance between the grips, set the loop handle ahead of the arrows.



## SHOULDER STRAP (optional accessory)

### How to wear the shoulder strap

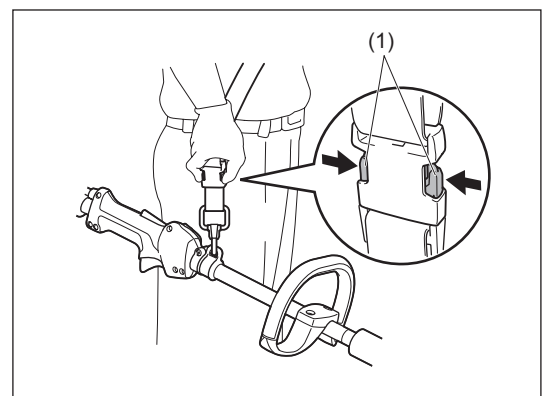
- Wear the shoulder strap over the left shoulder.
- Keep the pole hedge trimmer unit on the right hand side of the body.
- Attach the strap to the hanger provided on the pole hedge trimmer and adjust the length of the strap to attain a comfortable working position.



### Detachment

- In an emergency, push the notches (1) at both sides, and you can detach the machine from you.  
Be extremely careful to maintain control of the machine at this time. Do not allow the machine to be deflected toward you or anyone in the work vicinity.

WARNING: Failure to maintain complete control of the machine at all could result in serious bodily injury or DEATH.



## BEFORE START OF OPERATION

### Inspection and refill of engine oil

- Perform the following procedure, with the engine cooled down.
- Set the engine level, remove oil cap (Fig. 1), and check to see whether or not there is oil in the range between the upper limit and lower limit marks of the oil pipe (Fig. 2).
- Top up with oil to upper limit mark if oil is insufficient (oil level is close to lower limit mark) (Fig. 3).
- The area surrounding the external marks is transparent, so the amount of oil inside can be checked without having to remove the oil cap. However, if oil pipe becomes extremely dirty, visibility may be lost, and oil level will have to be checked against stepped section on inside of oil pipe.
- For reference, the oil refill time is about 10 h (every 10 refuelling).  
If the oil changes in color or mixes with dirt, replace it with new one. (For the interval and method of replacement, refer to P19)

**Recommended oil:** SAE 10W-30 oil of API Classification, Class SF or higher (4-stroke engine for automobile)

**Oil volume:** Approx. 0.08 L

**NOTE:** If the engine is not kept upright, oil may go into around the engine, and may be refilled excessively.  
If the oil is filled above the limit, the oil may be contaminated or may catch fire with white smoke.

### Point 1 in Replacement of oil: "Oil cap"

- Remove dust or dirt near the oil refill port, and detach the oil cap.
- Keep the detached oil cap free of sand or dust. Otherwise, any sand or dust adhering to the oil cap may cause irregular oil circulation or wear on the engine parts, which will result in troubles.

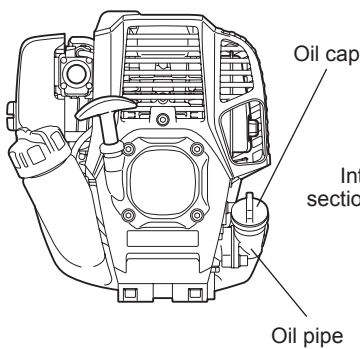


Fig. 1

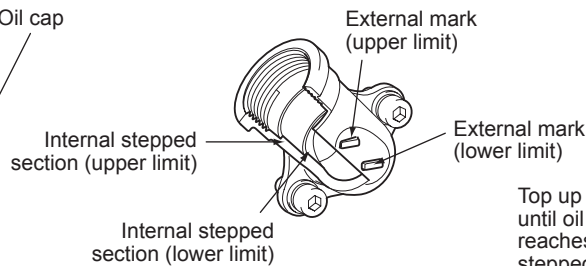


Fig. 2 Oil pipe

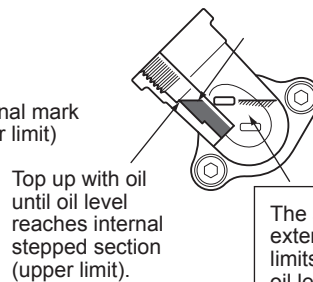
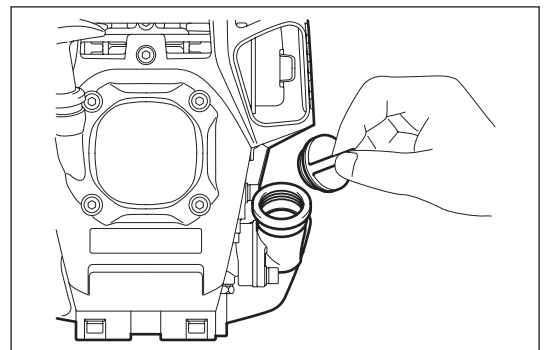


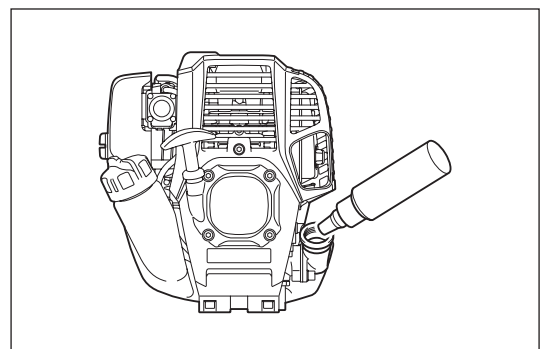
Fig. 3

The area between the external upper and lower limits is transparent, so oil level can be checked externally against these marks.

- (1) Keep the engine level, and detach the oil cap.



- (2) Fill with oil to upper limit mark. (see Fig. 3)  
Use oil bottle when filling.



- (3) Securely tighten the oil cap. Insufficient tightening may cause oil leakage.

#### Note

- Do not replace oil with the engine in a tilted position.
- Filling with oil while engine is tilted leads to overfilling which causes oil contamination and/or white smoke.

#### Point 2 in Replacement of oil: "If oil spills out"

- If oil spills out between the fuel tank and engine main unit, the oil is sucked into through the cooling air intake port, which will contaminate the engine. Be sure to wipe out spilled oil before start of operation.

## REFUELLING

### Handling of fuel

It is necessary to handle fuel with utmost care. Fuel may contain substances similar to solvents. Refuelling must be performed in a sufficiently ventilated room or in the open air. Never inhale fuel vapors, and keep fuel away from you. If you touch fuel repeatedly or for a long time, the skin becomes dry, which may cause skin disease or allergy. If fuel comes into the eye, clean the eye with fresh water. If your eye remains still irritated, consult your doctor.

### Storage period of fuel

Fuel should be used within a period of 4 weeks, even if it is kept in a special container in a well-ventilated and shaded area. Otherwise, fuel may deteriorate in one day.

#### STORAGE OF MACHINE AND REFILL TANK

- Keep the machine and tank at a cool place free from direct sunshine.
- Never keep the fuel in a car.

### Fuel

The engine is a four-stroke engine. Be sure to use an unleaded automobile gasoline 87 or higher octane ((R+M)/2). It may contain no more than 10% alcohol (E-10).

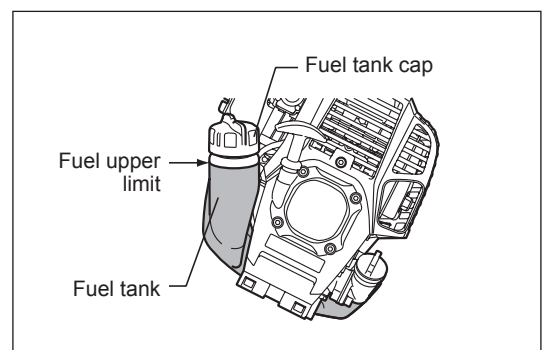
#### Points for fuel

- Never use a gasoline mixture which contains engine oil. Otherwise, it will cause excessive carbon accumulation or mechanical troubles.
- Use of deteriorated oil will cause irregular start-up.

### Refuelling

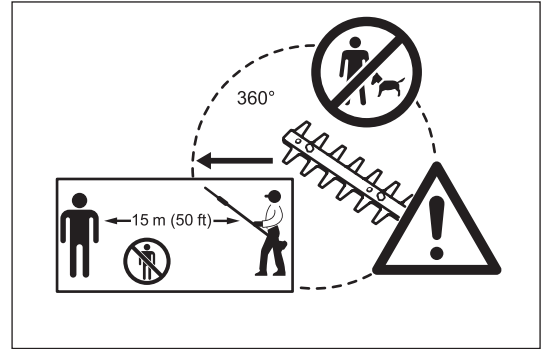
#### WARNING: INFLAMMABLES STRICTLY PROHIBITED

- Loosen the tank cap a little to release the tank pressure.
  - Detach the tank cap, and refuel, discharging air by tilting the fuel tank so that the refuel port will be oriented upward. (DO NOT fill fuel up to the top of the tank.)
  - Wipe well the periphery of the tank cap to prevent foreign matter from entering the fuel tank.
  - After refuelling, securely tighten the tank cap.
- If there is any flaw or damage on the tank cap, replace it.
  - The tank cap wears out in course of time. Replace it every two to three years.



## PRECAUTIONS BEFORE STARTING THE ENGINE

- At all times allow a 15-meter diameter safety zone around the working area. Make sure that all persons (in particular children) and/or animals remain outside this zone.
- Before using the pole hedge trimmer, make sure that the machine is in safe operational condition. Make sure that the cutting blades are not damaged, and check the throttle lever for easy action. Make sure that the cutting blades are not in motion when the engine is idling. If the machine is not operating normally, contact your dealer to have the machine adjusted. Make sure that the handles are clean and dry, and test whether the I-O switch is functioning properly. Start the engine only in accordance with the instructions given in this manual. Do not use any other methods to start the pole hedge trimmer.
- Start the engine of the pole hedge trimmer only after having read and fully understood the instructions. Never attempt to start a pole hedge trimmer that has not been fully assembled. Serious injury may result otherwise.
- Before starting the engine, always make sure that the cutting blades are not obstructed by stones, branches or any other solid objects.
- Check the working area for wires, cord, glass or other foreign objects that could get caught in the cutting blades.
- Electrical shock: Be aware of all electrical lines in the vicinity. Check the entire work area for the presence of power lines and electrical fences before starting to work.



## POINTS IN OPERATION AND HOW TO STOP

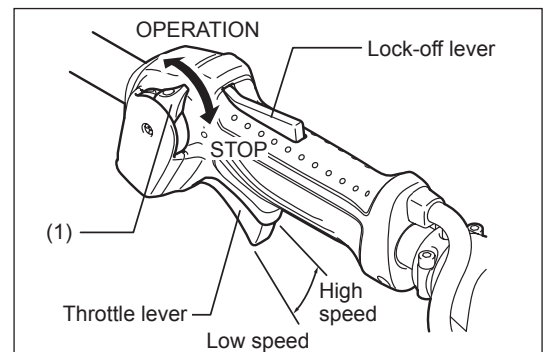
Observe the applicable accident prevention regulations!

### STARTING

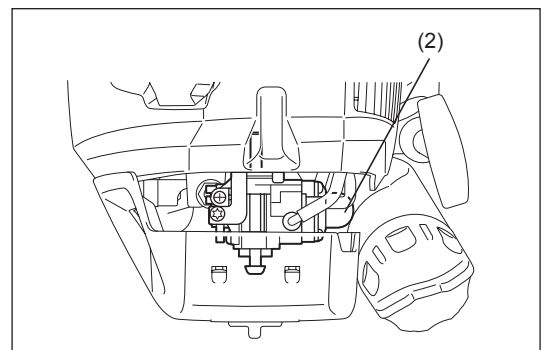
Move at least 3 m away from the place of refuelling. Put the pole hedge trimmer on a clean piece of ground taking care that the cutting blades do not come into contact with the ground or any other objects.

#### A: Cold start

- 1) Set this machine on a flat space.
- 2) Set the I-O switch (1) to OPERATION.



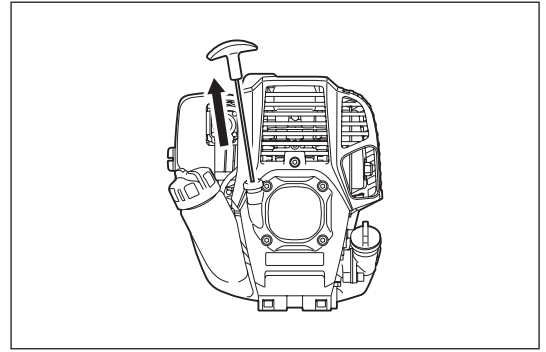
- 3) Primer pump  
Continue to push the primer pump (2) until the fuel comes into the primer pump. (In general, fuel comes into the primer pump by 7 to 10 pushes.) If the primer pump is pushed excessively, an excess of gasoline returns to the fuel tank.



- 4) Recoil starter  
Pull the start knob gently until it is hard to pull (compression point). Then, return the start knob, and pull it strongly. Never pull the rope to the full extension. Once the start knob is pulled, never release your hand immediately. Hold the start knob until it returns to its original point.

- 5) Warm-up operation  
Continue warm-up operation for 2 to 3 minutes.

NOTE: In case of excessive fuel intake, remove the spark plug and pull the starter handle slowly to remove excess fuel. Also, dry the electrode section of the spark plug.



**B: Startup after warm-up operation**

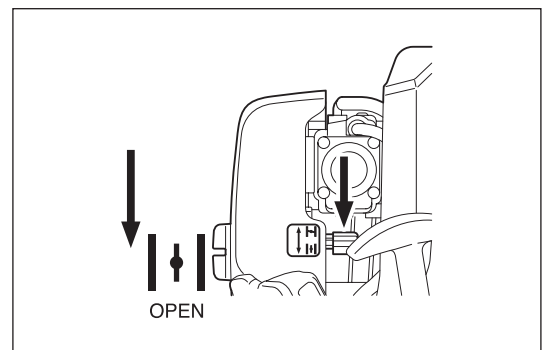
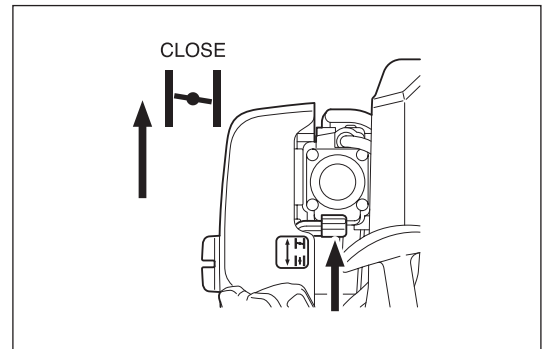
- 1) Repeat pushing the primer pump gently.
- 2) Keep the throttle lever at the idling position.
- 3) Pull the recoil starter strongly.
- 4) If it is difficult to start the engine, open the throttle by about 1/3.  
Pay attention to the cutting blades which may move.

**At times, such as winter, when starting the engine is difficult, operate choke lever with the following procedure when starting engine.**

- After implementing startup steps 1) to 3), set choke lever to the CLOSE position.
- Implement startup step 4) and start engine.
- Once engine starts, set choke lever to the OPEN position.
- Implement startup step 5) and complete warm up.

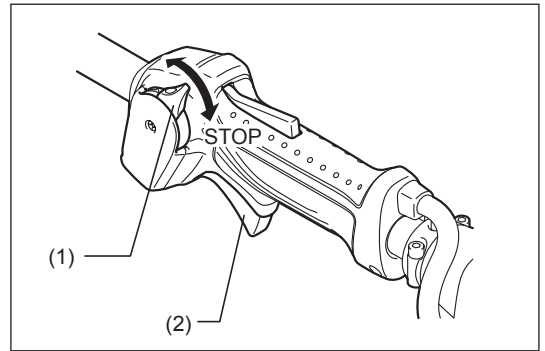
CAUTION: If a bang (explosive sound) is heard and the engine stops, or the just-started engine stalls before the choke lever is operated, return the choke lever to the OPEN position, and pull the starter knob a few times again to start the engine.

CAUTION: If the choke lever is left in the CLOSE position, and the starter knob merely pulled repeatedly, too much fuel will be sucked in, and the engine will become difficult to start.



## STOPPING

- 1) Release the throttle lever (2) fully, and when the engine speed has lowered, set the I-O switch (1) to STOP the engine will now stop.
- 2) Be aware that the cutting head may not stop immediately and allow it to slow down fully.

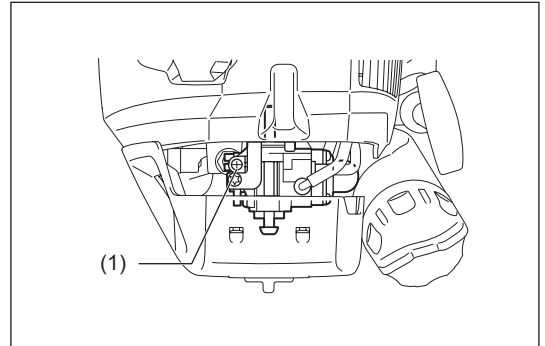


## ADJUSTMENT OF LOW-SPEED ROTATION (IDLING)

When it is necessary to adjust the low-speed rotation (idling), perform it by the carburetor adjusting screw (1).

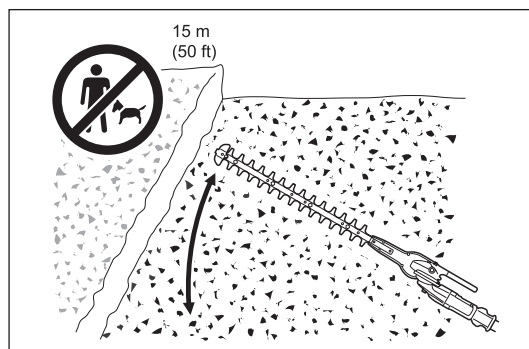
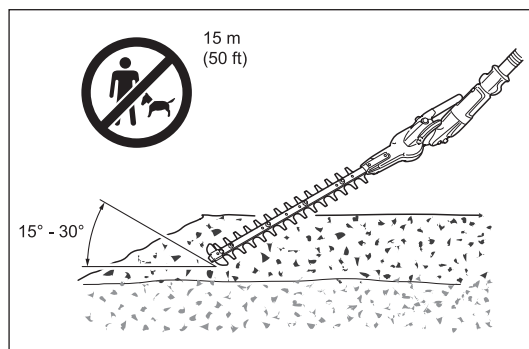
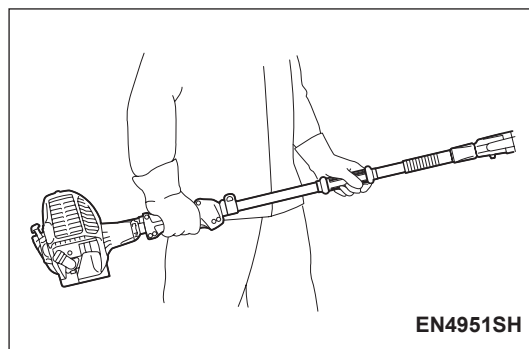
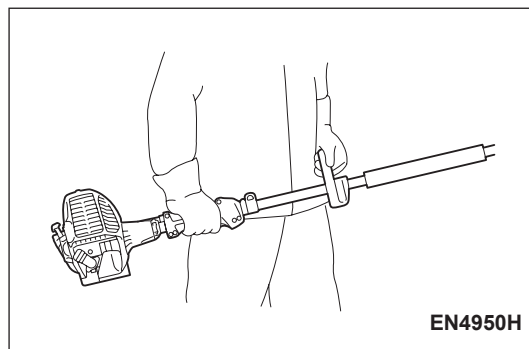
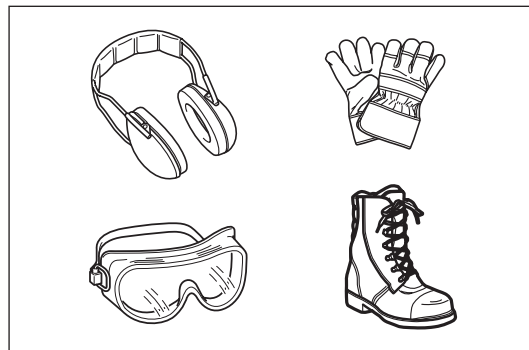
## CHECKUP OF LOW-SPEED ROTATION

- Set the low-speed rotation to 3,000 rpm (/min).  
If it is necessary to change the rotation speed, regulate the adjusting screw (1) with Phillips screwdriver.
- Turn the adjusting screw to the right, and the engine speed will increase. Turn the adjusting screw to the left, and the engine speed will drop.
- The carburetor is generally adjusted before shipment. If it is necessary to readjust it, please contact Authorized Service Center.



## OPERATING THE POLE HEDGE TRIMMER

- Do not touch the cutting blade portion of the pole hedge trimmer during operation, or when the engine is running.
- Take extra care not to inhale exhaust gases when working with the pole hedge trimmer. Never operate the pole hedge trimmer in an enclosed room or an area with insufficient ventilation (risk of suffocation and gas poisoning). Note that carbon monoxide is an odorless gas that is, it cannot be detected by the sense of smell.
- Always wear adequate protective wear before starting to work with the pole hedge trimmer.
- Stop the engine immediately if the muffler is not functioning properly.
- Only use the pole hedge trimmer in good light and visibility conditions.
- Do not operate the pole hedge trimmer in darkness or fog. Beware of slippery and wet areas (ice and snow) during the cold season (danger of slipping), and always ensure secure footing.
- Never use the pole hedge trimmer while standing on an unstable surface or a steep slope.
- Never use the pole hedge trimmer while standing on a ladder.
- Never climb a tree to use the pole hedge trimmer from the tree.
- Continuously check the working area for wires, cord, glass or other foreign objects that could get caught in the cutting blades.
- Make sure that the cutting blades are in rapid motion before starting to cut.
- Always grip the pole hedge trimmer with both hands and maintain a firm grip when working with the machine.
- To assure optimal control over the pole hedge trimmer, always completely wrap your hands around the handles (use your thumb for counter pressure) and apply a firm grip on the handles.
- Note that the cutting blades will remain in motion for up to two seconds after the throttle lever has been released.
- Do not cut with the pole hedge trimmer at low engine speed.
- The speed of the cutting blades cannot be adjusted properly with the throttle lever when the engine is running at low speed.
- To trim the top surface of a hedge, first align the cutting blades at an angle of  $15^{\circ}$  -  $30^{\circ}$  in the cutting direction and keep the pole hedge trimmer in a horizontal position. Then start trimming the hedge using a swinging movement, much like drawing circle segments with the hedge trimmer shaft.
- To trim the sides of a hedge, align the blades parallel to the surface to be cut and start trimming with semi-circular upward (down-up) movements.
- Pay attention when trimming a hedge close to or against wire fences.
- Do not touch hard objects such as wire fence, stone or ground with the cutting blades. It may cause blades to crack, chip or break.
- Do not use the pole hedge trimmer over an extended period of time. As a general rule, for every 50 minutes of operation take a 10-20 minutes rest.
- If the cutting blades come into contact with stones or other solid objects, stop the engine immediately and check the blades for damage. Replace the blades if damaged.
- If the pole hedge trimmer develops a problem during operation (strange noises, vibration, etc.), immediately stop the engine. Do not use the machine again until the problem has been recognized and solved.
- Always do your utmost to keep pollution and noise emissions as low as possible when operating the pole hedge trimmer. Pay special attention to correct carburetor adjustment.
- If thick branches get jammed in the cutting blades, immediately stop the engine, lay the equipment on the ground and remove the obstruction. Check the blades for damage before using the machine again.





## Adjustment of cutting angle

### Warning:

- Do not operate the tool with the loose and unstable cutter unit.

You can adjust the cutting angle upwards to 45° and downwards to 90°.

1. Stop the pole hedge trimmer engine and lay the machine on the ground.
2. To adjust the angle of the cutter unit, hold the handle **(A)** on the cutter unit with one hand, and hold the angle lock **(B)** as illustrated with the other hand.
3. Pull the angle lock gently, and change the angle of the cutter unit. After adjusting the angle, return the angle lock gently.

### Note:

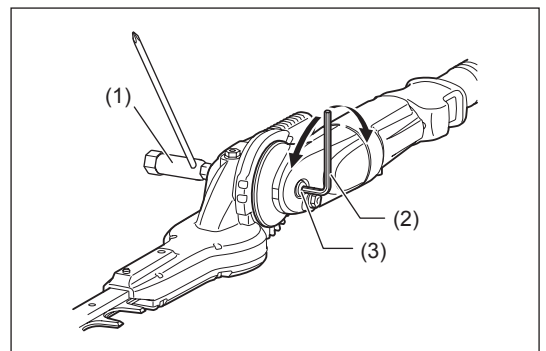
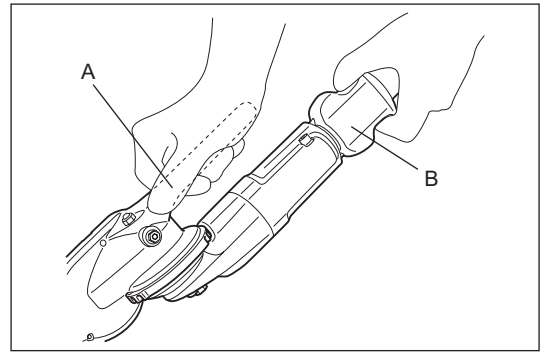
- The cutter unit is fasten only with certain angles alongside the groove on the unit. Make sure the cutter unit sits properly. If the angle is not appropriate, the clutch is cut and the tool does not operate.
- Do not adjust the cutter unit while the pole hedge trimmer is in an upright position.
- Move the I-O switch to the "O" position and lay the pole hedge trimmer flat on the ground to adjust the cutting angle.
- Always secure the blades with the blade cover provided before adjusting cutting angle.

In case the cutter unit is loose, the bolt (the axis of angle adjustment) needs to be tightened.

1. Set the socket wrench (1) and the hex wrench (2) on the bolt (3).
2. Adjust the tightness of the cutter unit by turning hex wrench, and then fasten the bolt by turning the socket wrench.

### Note:

- Do not fasten the cutter unit too tight. The angle of the cutter unit can not be changed if it is too tight.



## MAINTENANCE

- Before performing any maintenance work on the pole hedge trimmer (blade cleaning, etc.), always stop the engine and wait until the engine has cooled down.  
As an additional safety precaution, also remove the spark plug cap.
- Do not try to straighten or weld bent or broken cutting blades. Always replace damaged blades.
- Stop the engine at regular intervals to check the cutting blades for possible damage (perform a tapping-resonance test to detect hard-to-see hairline cracks). Always make sure that the teeth of the blades are sharp.
- Clean the pole hedge trimmer regularly. During cleaning also check all screws, nuts and bolts are well tightened.
- To reduce the risk of fire, never service or store the pole hedge trimmer in the vicinity of open fires.
- Always wear rugged protective gloves when handling the cutting blades.
- Contact your dealer for replacement cutting blades.
- Never use gasoline, benzine, thinner, alcohol or the like for cleaning.  
Discoloration, deformation or cracks may result.

### Sharpening the blade

If the cutting blades have become blunt and cutting performance is poor, have the blades sharpened by an authorized service agent.

### Adjusting blade clearance

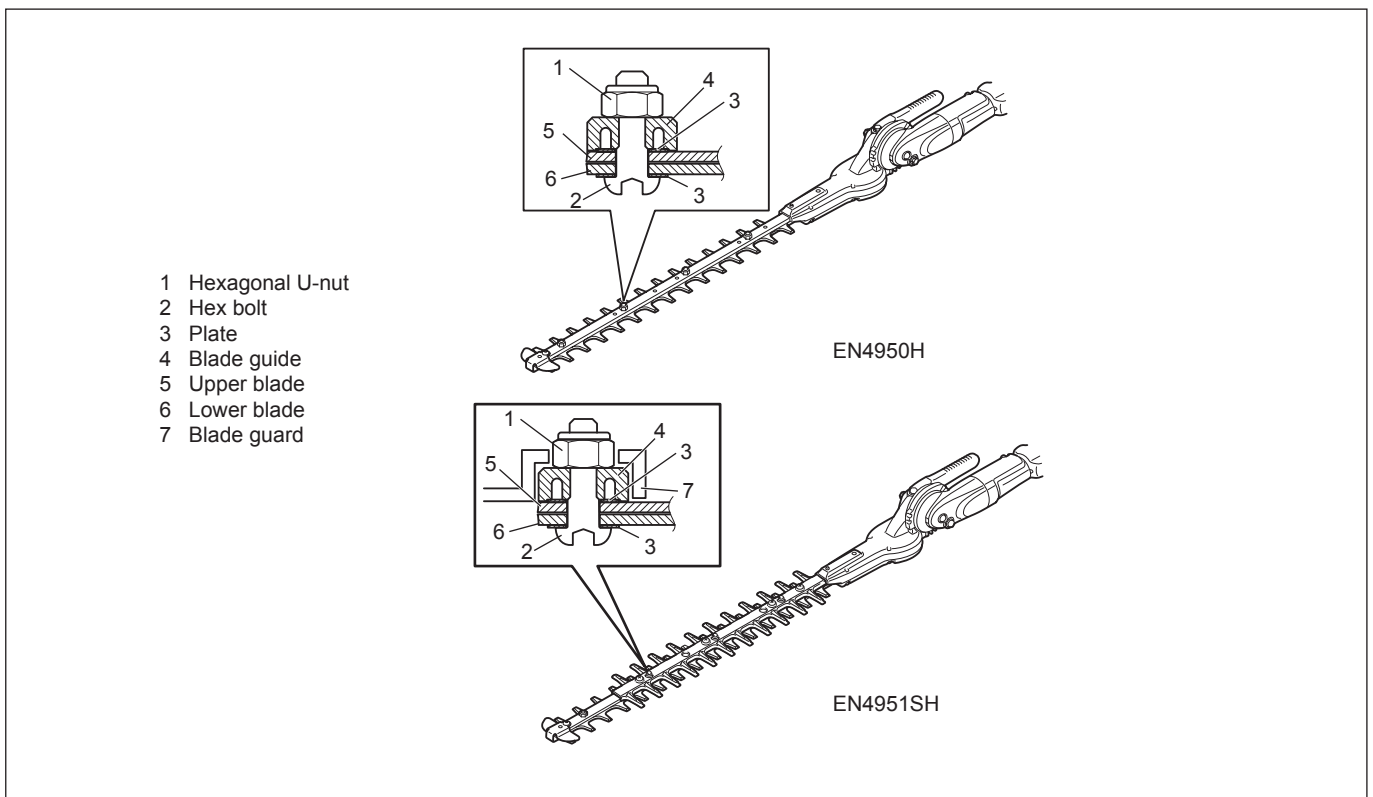
The upper/lower blades wear out gradually after operations. If you cannot get a clean cut though the blades are sharp enough, adjust the clearance as follows.

The tightness of the hex bolt decides the clearance of the blades. The nut holds the hex bolt with certain tightness. Too loose clearance causes blunt cut, but too tight clearance causes unnecessary heat and sooner worn-out of the blades.

1. Loosen the nut (1) with a box or open-ended wrench.
2. Tighten the hex bolt (2) with a hex wrench lightly till it stops. And then, screw it back between a quarter turn and a half turn to gain necessary clearance.
3. Tighten the nut (1), holding the hex bolt (2).
4. Apply light oil on the friction surface of the blades.
5. Start the engine, operate the throttle on and off for a minute.
6. Stop the engine and touch the surface. If they are not too hot to touch, you have made a proper adjustment. If they are too hot to touch, turn the hex bolt (2) back a little and repeat the step 5 to 6.

NOTE: Before making the adjustment, stop the engine and wait for the blades to stop.

The blades have a slot around the hex bolt (2). In case you find dust in the end of any of the slots, clean it.

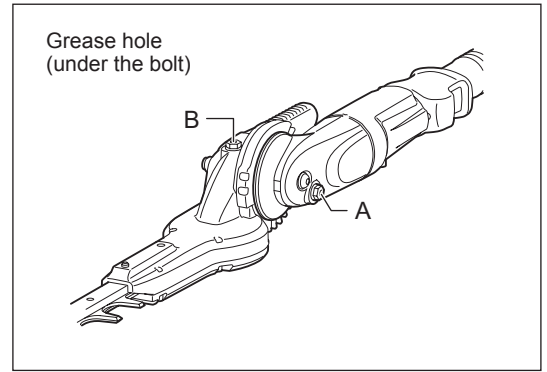


## Adding grease and lubricant

**Important: Make sure that the surface of gear box is completely cold before lubricating.**

- The gearbox of the pole hedge trimmer should be greased every 25 working hours. The grease hole locates under the bolt. Remove the bolt to lubricate. Add approx. 3 g (4 cc) of lubricant to the point A of the gearbox and 5 g (7 cc) of the lubricant to the point B respectively via the grease hole. Return the bolt after lubrication. After filling correct amount of grease, grease will come out a bit from the base of the blade during the first operation.

**CAUTION:** Observe greasing intervals and the amount of grease to be supplied. Mechanical parts of the pole hedge trimmer may be damaged if grease is not supplied at the prescribed intervals or if an insufficient amount of grease is added.



## Daily inspection and maintenance

To ensure a long service life of your pole hedge trimmer, perform the following inspections and maintenance on a daily basis.

- Before use;
  - Always check for loose or missing parts before starting operation. Pay special attention to the cutting unit and make sure that the cutting blade lock screws are well tightened.
  - Check for clogging of the cooling air passages and the cooling fins of the cylinder before starting operation. Clean if necessary.
- After use;
  - Clean the pole hedge trimmer externally and inspect for damage.
  - Clean the air filter. Clean the filter several times a day if working in extremely dusty conditions.
  - Check the cutting blades for damage. Make sure that the blades are securely mounted.
  - If the cutting blades still continue to run at idle after the adjustment, consult your nearest authorized service agent.

## REPLACEMENT OF ENGINE OIL

Deteriorated engine oil will shorten the life of the sliding and rotating parts to a great extent. Be sure to check the period and quantity of replacement.



**DANGER:** In general, the engine main unit and engine oil still remain hot just after the engine is stopped. In replacement of oil, make sure that the engine main unit and engine oil are sufficiently cooled down. Otherwise, there may remain a risk of scald. Allow sufficient time after stopping engine for the engine oil to return to the oil tank to ensure accurate reading of the oil level indicator.

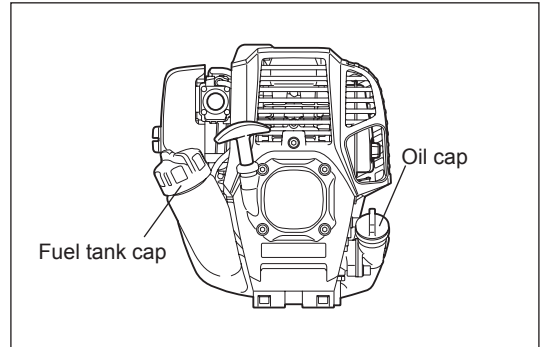
**NOTE:** If the oil filled above the limit, it may become dirty or may catch fire with white smoke.

**Interval of replacement:** After first 20 operating hours, followed by every 50 operating hours

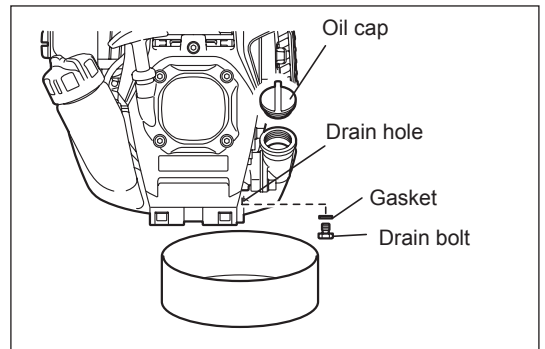
**Recommended oil:** SAE10W-30 oil of API Classification SF Class or higher (4-stroke engine oil for automobile)

In replacement, perform the following procedure.

- 1) Make sure that the fuel tank cap is tightened securely.
- 2) Put large container (pan, etc.) under drain hole.

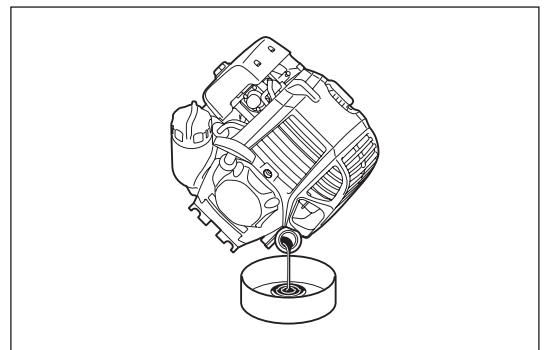


- 3) Remove drain bolt and then remove oil cap to drain out oil from drain hole. At this time, be sure not to mislay drain bolt's gasket, or to dirty any of the removed components.
- 4) Once all the oil has been drained, combine gasket and drain bolt, and tightly secure drain bolt, so that it will not loosen and cause leaks.  
\* Use cloth to fully wipe off any oil attached to bolt and equipment.

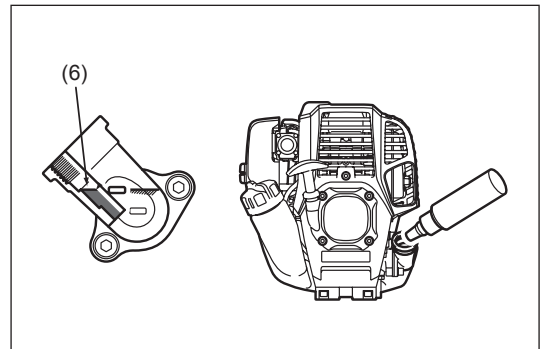
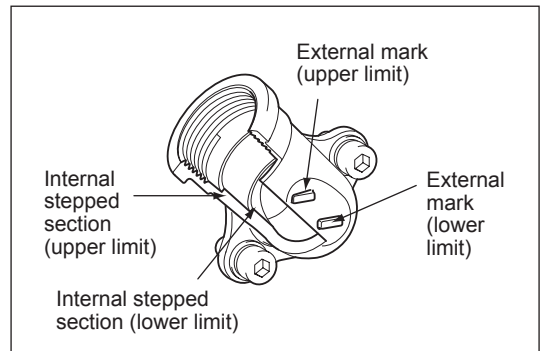


### Alternative draining method

Remove oil cap, tilt pole hedge trimmer toward oil filler hole, and drain out oil. Collect oil in container.



- 5) Set the engine level, and gradually fill up to upper limit mark (6) with new oil.
- 6) After filling, tightly secure oil cap, so that it will not loosen and cause leaks. If oil cap is not tightly secured, it may leak.



#### POINTS ON OIL

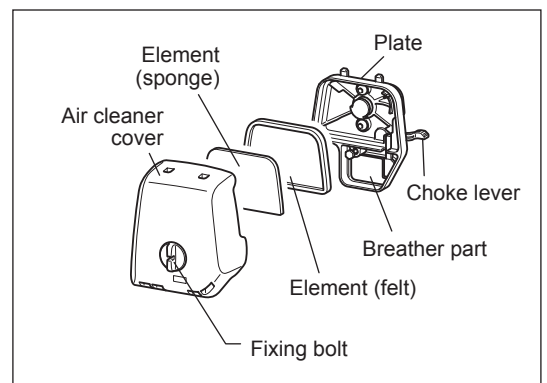
- Never discard replaced engine oil in garbage, earth or sewage ditch. Disposal of oil is regulated by law. In disposal, always follow the relevant laws and regulations. For any points remaining unknown, contact Authorized Service Agent.
- Oil will deteriorate even when it is kept unused. Perform inspection and replacement at regular intervals (replace with new oil every 6 months).

### Cleaning the air cleaner

#### DANGER: Inflammables strictly prohibited

Check and clean the air cleaner daily or every 10 operating hours.

- Turn the choke lever fully to the close side, and keep the carburetor free from dust or dirt.
- Loosen the fixing bolt.
- Remove the air cleaner cover by pulling its bottom side.
- Remove the elements and tap them to remove dirt.
- If the elements are heavily contaminated: Remove the elements, immerse them in warm water or in water-diluted neutral detergent, and dry them completely. Do not squeeze or rub them when washing.
- Before attaching the elements, be sure to dry them completely. Insufficient drying of the elements may lead to difficult startup.
- Wipe out oil adhering around the air cleaner cover and the breather part with waste cloth.
- Fit the element (sponge) into the element (felt).
- Fit the elements into the plate so that the sponge faces the air cleaner cover.
- Immediately attach the cleaner cover and tighten it with fixing bolts. (In remounting, first place the upper claw, and then the lower claw.)



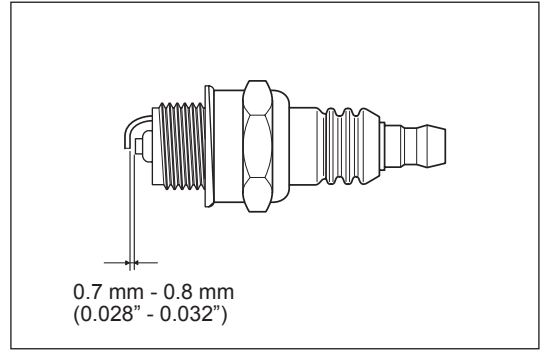
#### NOTICE:

- Clean the elements several times a day, if excessive dust adheres to it. Dirty elements reduce engine power and make starting engine difficult.
- Remove oil on the elements. If operation continues with the elements remaining not cleared of oil, oil in the air cleaner may fall outside, resulting in contamination of the environment.
- Do not put the elements on the ground or dirty place. Otherwise they pick up dirt or debris and it may damage the engine.
- Never use fuel for cleaning the elements. Fuel may damage them.

### CHECKING THE SPARK PLUG

- Only use the supplied universal wrench to remove or to install the spark plug.
- The gap between the two electrodes of the spark plug should be 0.7 - 0.8 mm (0.028" - 0.032"). If the gap is too wide or too narrow, adjust it. If the spark plug is clogged or contaminated, clean it thoroughly or replace it.

CAUTION: Never touch the spark plug connector while the engine is running (danger of high voltage electric shock).



### Cleaning the fuel filter (suction head in the fuel tank)

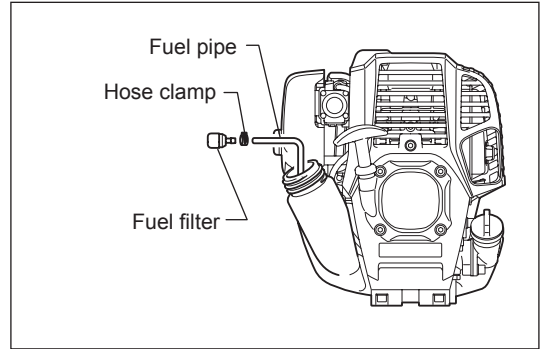
#### WARNING: INFLAMMABLES STRICTLY PROHIBITED

Check and clean the fuel filter monthly or every 50 operating hours.

Check the fuel filter periodically. To check the fuel filter, follow the steps below.

- (1) Remove the fuel tank cap, drain the fuel to empty the tank. Check the tank inside for any foreign materials. If any, remove them.
- (2) Pull out the suction head by using a wire hook through the tank opening.
- (3) If the fuel filter clogged slightly, clean it. To clean it, gently shake and tap it in fuel. To avoid damage, do not squeeze or rub it. The fuel used for the cleaning must be disposed in accordance with the method specified by regulations in your country.  
If the fuel filter became hard or heavily clogged up, replace it.
- (4) After checking, cleaning or replacing, push the fuel filter in all the way to the bottom of the fuel tank.

Clogged or damaged fuel filter can cause insufficient fuel supply and reduce engine power. Replace the fuel filter at least quarterly to ensure satisfactory fuel supply to the carburetor.

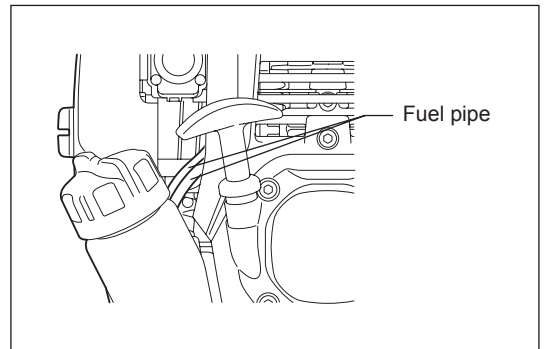


### Replacing the fuel pipe

#### CAUTION: Inflammables strictly prohibited

Check and clean the fuel pipe daily or every 10 operating hours.

Replace the fuel pipe every 200 operating hours or every year regardless of operating frequency. Otherwise fuel leakage may lead to fire. If you find any leakage during inspection, replace the fuel pipe immediately.



### INSPECTION OF BOLTS, NUTS AND SCREWS

- Retighten loose bolts, nuts, etc.
- Check for fuel and oil leakage.
- Replace damaged parts with new ones for safety operation.

### CLEANING OF PARTS

- Keep engine clean by wiping down with a cloth rag.
- Keep the cylinder fins free of dust or dirt. Dust or dirt adhering to the fins will cause piston seizure.

### REPLACEMENT OF GASKETS AND PACKINGS

Replace gaskets and packings if the engine is disassembled.

For any maintenance or adjustment not described in this manual, ask your local MAKITA authorized service center.

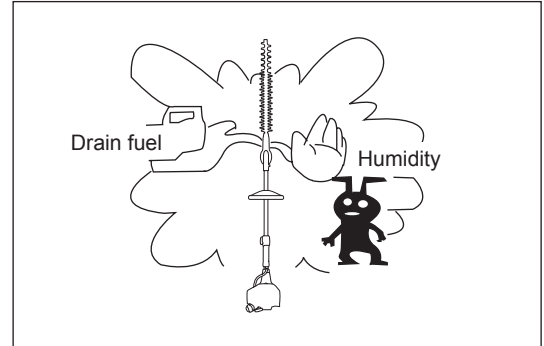
## STORAGE

**WARNING:** When draining the fuel, stop the engine and wait for the engine to cool down.

Failure to do so may cause burns or fire.

**ATTENTION:** When you store the machine for a long time, drain all fuel from the fuel tank and carburetor, and keep it at a dry and clean place.

- Drain fuel from the fuel tank and carburetor according to the following procedure:
  - 1) Remove the fuel tank cap, and drain fuel completely.  
If there is any foreign materials remaining in the fuel tank, remove it completely.
  - 2) Pull out the fuel filter from the refill port using a wire.
  - 3) Push the primer pump until fuel is drained from there, and drain fuel coming into the fuel tank.
  - 4) Reset the filter to the fuel tank, and securely tighten the fuel tank cap.
  - 5) Then, continue to operate the engine until it stops.
- Remove the spark plug, and drip several drops of engine oil through the spark plug hole.
- Gently pull the starter handle so that engine oil will spread over the engine, and attach the spark plug.
- Attach the cover to the cutting blades.
- In general, store the machine in horizontal position. If it is not possible, place the machine as the motor unit comes below the cutting tool. Otherwise engine oil may leak from inside.
- Always pay attention to storing the machine in a safe place to prevent machine damage and personal injury.
- Keep the drained fuel in a special container in a well-ventilated shade.





**Attention after long-time storage**

- Before startup after long-time shutdown, be sure to replace oil (refer to P19). Oil will deteriorate while the machine is kept out of operation.

Item	Operating time							Corresponding P
		Before operation	Daily (10h)	25h	50h	200h	Shutdown/ rest	
Engine oil	Inspect	○						10
	Replace				○*1			19
Tightening parts (bolt, nut)	Inspect	○						21
Fuel tank	Clean/inspect	○						-
	Drain fuel						○*3	22
Throttle lever	Check function	○						12
Stop switch	Check function	○						12, 14
Cutting blades	Inspect	○	○					12, 17
Low-speed rotation	Inspect/adjust		○					14
Air cleaner	Clean		○					20
Ignition plug	Inspect		○					21
Cooling air duct	Clean/inspect		○					21
Fuel pipe	Inspect		○					21
	Replace					◎*2		-
Gear-case grease	Refill			○				18
Fuel filter	Clean/replace				○			21
Clearance between air intake valve and air discharge valve	Adjust					◎*2		-
Engine overhaul						◎*2		-
Carburetor	Drain fuel						○*3	22

\*1 Perform initial replacement after 20h operation.

\*2 For the 200 operating hour inspection, request Authorized Service Agent or a machine shop.

\*3 After emptying the fuel tank, continue to run the engine and drain fuel in the carburetor.

## TROUBLESHOOTING

Before making a request for repairs, check a trouble for yourself. If any abnormality is found, control your machine according to the description of this manual. Never tamper or dismount any part contrary to the description. For repairs, contact Authorized Service Agent or local dealership.

State of abnormality	Probable cause (malfunction)	Remedy
Engine does not start	Failure to operate primer pump	Push 7 to 10 times
	Low pulling speed of starter rope	Pull strongly
	Lack of fuel	Feed fuel
	Clogged fuel filter	Clean
	Broken fuel tube	Straighten fuel tube
	Deteriorated fuel	Deteriorated fuel makes starting more difficult. Replace with new one. (Recommended replacement: 1 month)
	Excessive suction of fuel	Set throttle lever from medium speed to high speed, and pull starter handle until engine starts. <b>Once engine starts, cutting blades start moving. Pay full attention to cutting blades.</b> If engine will not start still, remove spark plug, make electrode dry, and reassemble them as they originally are. Then, start as specified.
	Detached plug cap	Attach securely
	Contaminated spark plug	Clean
	Abnormal clearance of spark plug	Adjust clearance
	Other abnormality of spark plug	Replace
	Abnormal carburetor	Make request for inspection and maintenance.
	Starter rope cannot be pulled	Make request for inspection and maintenance.
	Abnormal drive system	Make request for inspection and maintenance.
Engine stops soon Engine speed does not increase	Insufficient warm-up	Perform warm-up operation
	Choke lever is set to "H" although engine is warmed up.	Set to "III"
	Clogged fuel filter	Clean or replace
	Contaminated or clogged air cleaner	Clean
	Abnormal carburetor	Make request for inspection and maintenance.
	Abnormal drive system	Make request for inspection and maintenance.
Cutting blade does not move ↓ Stop engine immediately	Inappropriate angle of cutter unit	Make sure the angle lock engages properly.
	Loosened cutting blades-tightening nut	Tighten securely
	Twigs caught by cutting blades.	Remove foreign matter
	Abnormal drive system	Make request for inspection and maintenance.
Main unit vibrates abnormally ↓ Stop engine immediately	Broken, bent or worn cutting blades	Replace cutting blades
	Loosened cutting blades-tightening nut	Tighten securely
	Abnormal drive system	Make request for inspection and maintenance.
Cutting blades do not stop immediately ↓ Stop engine immediately	High idling rotation	Adjust
	Detached throttle wire	Attach securely
	Abnormal drive system	Make request for inspection and maintenance.
Engine does not stop ↓ Run engine at idling, and set choke lever to "H"	Detached connector	Attach securely
	Abnormal electric system	Make request for inspection and maintenance.

When the engine does not start after warm-up operation:  
If there is no abnormality found for the check items, open the throttle by about 1/3 and start the engine.

Nous vous remercions d'avoir choisi le taille-haie sur perche MAKITA. Nous sommes heureux de vous proposer un produit qui est le fruit d'un long programme de développement et de nombreuses années de connaissances et d'expérience. Pour obtenir en toute sécurité les meilleurs résultats possibles de votre taille-haie sur perche MAKITA, veuillez lire attentivement ce manuel avant d'utiliser la machine et suivre toutes les instructions qu'il contient afin de garantir une utilisation correcte du taille-haie sur perche MAKITA.



## Table des matières

## Page

Pictogrammes.....	25
Consignes de sécurité.....	26
Données techniques.....	30
Désignation des pièces.....	31
Montage.....	32
Bandoulière (accessoire optionnel).....	32
Essence/remplissage du réservoir.....	33
Précautions à prendre avant de démarrer le moteur.....	35
Utilisation du taille-haie sur perche.....	38
Entretien.....	40
Entreposage.....	45
Dépannage.....	47

## PICTOGRAMMES

Veuillez faire attention aux pictogrammes suivants lors de la lecture de ce manuel d'instructions.

	AVERTISSEMENT/DANGER		Risque de pincement
	Avant utilisation, lisez attentivement et comprenez bien les instructions contenues dans ce manuel		Faites attention aux lignes électriques, il existe un risque de choc électrique
	INTERDICTION		Carburant (essence)
	Défense de fumer		Démarrage manuel du moteur
	Flammes nues interdites		Arrêt d'urgence
	Portez des chaussures de sécurité		Premiers soins
	Portez des gants de protection		MARCHE/DÉMARRAGE
	Zone de travail interdite aux individus et aux animaux		ARRÊT/COUPURE APPAREIL
	Portez un casque de protection ainsi que des protections oculaire et auditive		

## CONSIGNES DE SÉCURITÉ

### Consignes générales

- Avant utilisation, lisez attentivement ce manuel et apprenez à manipuler correctement le taille-haie sur perche. **CET ÉQUIPEMENT PEUT ENTRAÎNER DES BLESSURES GRAVES S'IL EST UTILISÉ DE MANIÈRE INCORRECTE !**
- Lorsque vous prêtez le taille-haie sur perche à une autre personne, fournissez-lui toujours des instructions détaillées sur l'utilisation correcte de l'appareil. Assurez-vous que le manuel d'instructions est fourni avec le taille-haie sur perche.
- Les utilisateurs inexpérimentés doivent demander des instructions de base au vendeur afin de se familiariser avec la manipulation du taille-haie sur perche.
- Conservez ce manuel dans un endroit facile d'accès pour vous y reporter facilement.
- N'autorisez pas les personnes de moins de 18 ans à utiliser le taille-haie sur perche. Les personnes âgées de plus de 16 ans peuvent toutefois utiliser le taille-haie sur perche en vue d'apprentissage si elles sont toujours sous la surveillance d'un adulte sachant utiliser la machine.
- Utilisez toujours le taille-haie sur perche avec le maximum de soin et d'attention.
- N'essayez jamais de modifier le matériel.
- Respectez les réglementations en vigueur dans votre pays concernant la manipulation des taille-haies sur perche.
- Utiliser le taille-haie sur perche dans les conditions suivantes peut entraîner de graves blessures. N'utilisez pas le taille-haie sur perche :
  - si vous vous sentez fatigué ou malade ;
  - après avoir consommé de l'alcool et/ou des médicaments ;
  - la nuit ou avec un faible éclairage ;
  - si vous êtes enceinte.

### Utilisation normale

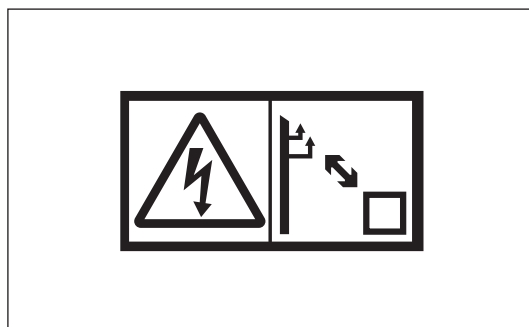
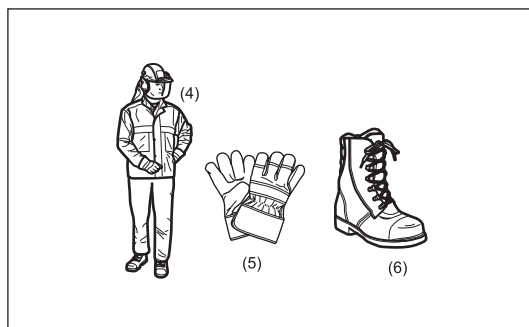
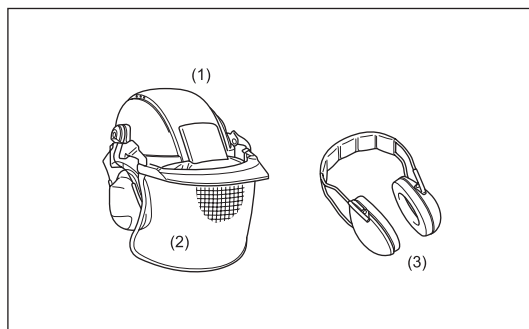
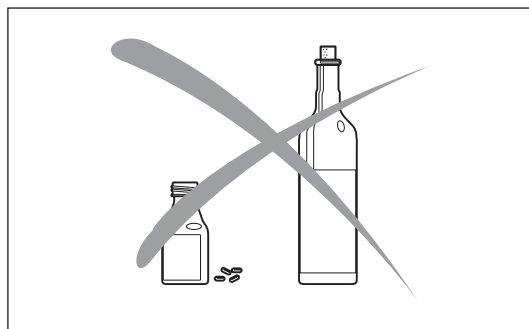
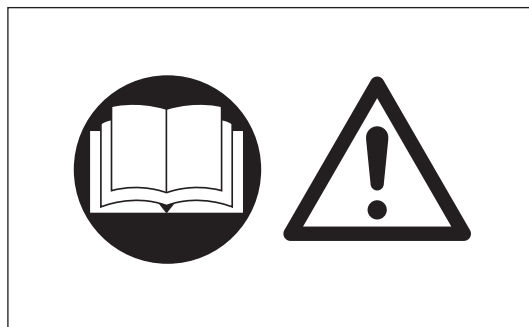
- Ce taille-haie sur perche a été conçu dans le seul but de tailler des haies et des buissons. N'utilisez pas le taille-haie sur perche à d'autres fins.

### Équipement de protection personnel

- Portez des vêtements fonctionnels et bien ajustés qui n'entravent pas vos mouvements. Ne portez pas de vêtements ou de bijoux qui pourraient se coincer dans les haies ou dans la machine.
- Pour une protection appropriée contre les blessures à la tête, aux yeux, aux pieds et aux mains, ainsi que pour protéger votre audition, utilisez les éléments de protection et les vêtements suivants lorsque vous utilisez le taille-haie sur perche.
- Pour éviter les blessures à la tête ou aux yeux, portez un casque de protection (1) ainsi que des lunettes de protection ou un viseur (2).
- Pour éviter les troubles de l'audition, portez des protections auditives (3) en permanence.
- Il est fortement recommandé de porter une combinaison de travail bien ajustée (4).
- Portez toujours des gants de travail en cuir solides (5) lorsque vous utilisez le taille-haie sur perche.
- Lorsque vous utilisez le taille-haie sur perche, portez toujours des chaussures robustes (6) dotées d'une semelle antidérapante. Des chaussures de sécurité spéciales vous garantissent une bonne stabilité et vous protègent contre les blessures.
- Portez des gants de protection lorsque vous touchez les lames ou l'ensemble de la lame. Vous pouvez vous blesser sérieusement en manipulant les lames à mains nues.

### Sécurité de la zone de travail

- **⚠ DANGER** : Tenez le taille-haie sur perche éloigné des lignes électriques et autres câbles de télécommunication. Toucher ou approcher de lignes à haute tension avec le taille-haie sur perche peut entraîner la mort ou des blessures graves. Repérez les lignes et les clôtures électriques autour de la zone de travail avant de commencer à utiliser l'outil.
- Démarrez et faites tourner le moteur uniquement à l'extérieur dans un endroit bien aéré. Le fonctionnement du moteur dans un espace confiné ou mal aéré peut entraîner la mort par asphyxie ou par intoxication au monoxyde de carbone.
- Pendant l'utilisation, tenez tout individu, particulièrement les enfants ou animal à au moins 15 m du taille-haie sur perche. Coupez le moteur dès que quelqu'un s'approche.
- Avant l'utilisation, voyez s'il y a une clôture en fil de fer, des pierres ou autres objets solides dans la zone de travail. Ils peuvent endommager les lames.
- **⚠ AVERTISSEMENT** : L'utilisation de ce produit peut lever une poussière contenant des produits chimiques susceptibles d'entraîner des troubles respiratoires ou d'autres maladies. Parmi ces produits chimiques, on trouve des composants de pesticides, insecticides, engrais et herbicides. Les risques varient en fonction de la fréquence à laquelle vous utilisez l'outil. Pour réduire les risques liés à l'exposition à ces produits chimiques : travaillez dans un espace bien aéré et portez des dispositifs de sécurité homologués, tels que des masques antipoussières spécialement conçus pour filtrer les particules microscopiques.



## Démarrage du taille-haie sur perche

- Avant d'assembler ou de régler l'équipement, coupez le moteur et retirez le bouchon de la bougie d'allumage.
- Avant d'utiliser le taille-haie sur perche, vérifiez toujours que la machine est en bon état de marche.
- N'essayez jamais de démarrer le moteur si l'équipement est endommagé.
- Vérifiez le bon fonctionnement du mécanisme de sécurité du levier d'accélérateur. Le levier de sécurité doit pouvoir être actionné facilement sans forcer. Assurez-vous du bon fonctionnement du levier de sécurité. Vérifiez que les poignées sont propres et sèches et que le commutateur d'arrêt fonctionne correctement.

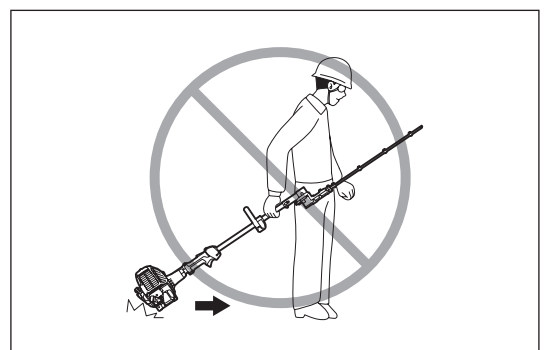
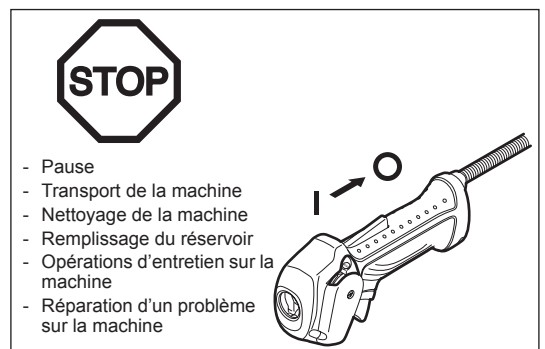
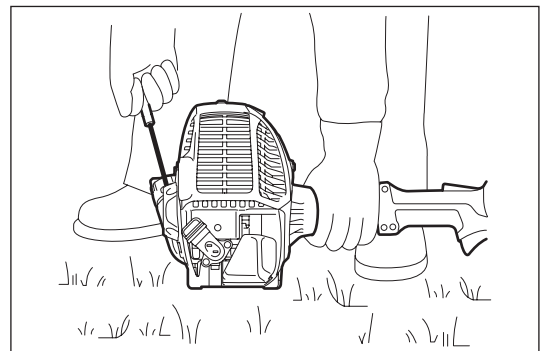
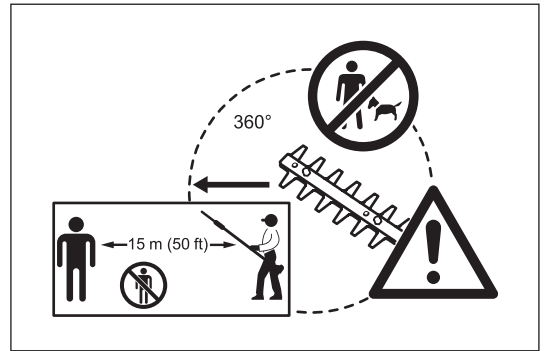
Démarrez toujours le taille-haie sur perche selon les instructions fournies dans ce manuel d'instructions.

## Suivez les instructions ci-dessous pour démarrer le taille-haie sur perche

- Ne démarrez le taille-haie sur perche que lorsque la machine est totalement montée et que tous les accessoires sont fixés.
- Lorsque vous démarrez le moteur, veillez à éloigner les lames de votre corps et de tout autre objet, y compris le sol. Les lames peuvent se mettre en mouvement dès le démarrage et occasionner de graves blessures, être endommagées et/ou provoquer des dégâts matériels.
- Avant de démarrer le moteur, assurez-vous que des objets étrangers tels que des pierres, des branches, etc. ne sont pas coincés dans les lames de coupe.
- Coupez le moteur immédiatement s'il présente un problème.
- Lorsque vous tirez la poignée de démarrage, maintenez fermement l'équipement contre le sol avec la main gauche. Ne marchez pas sur l'arbre d'entraînement.
- Si les lames bougent lorsque le moteur est au ralenti, coupez le moteur et abaissez la vitesse de ralenti.
- Lorsque vous utilisez le taille-haie sur perche, maintenez toujours fermement les poignées. Placez vos doigts fermement autour de chaque poignée et pincez la poignée entre votre pouce et votre index. Pour garder le contrôle du taille-haie sur perche à tout moment, évitez de modifier votre prise pendant l'utilisation. Assurez-vous que les poignées de contrôle sont en bon état et qu'elles ne présentent pas de moisissure, de boue, d'huile ou de graisse.

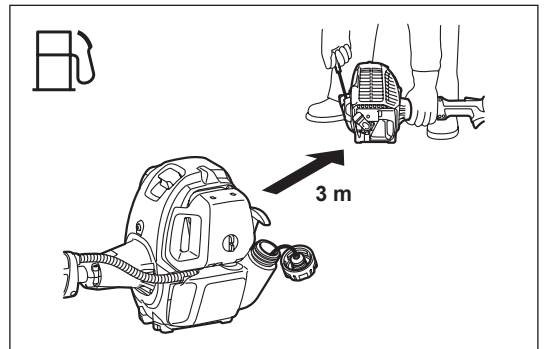
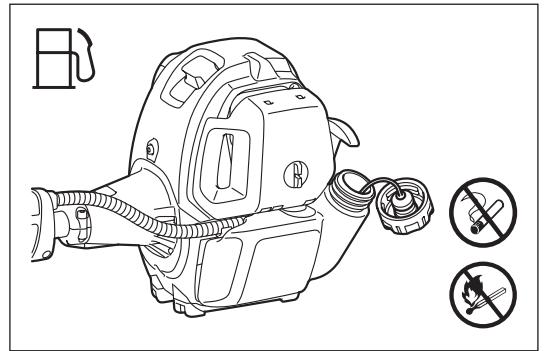
## Assurez-vous toujours de votre stabilité

- Coupez toujours le moteur immédiatement et interrompez votre travail si le moteur présente un problème ou si la machine fait un bruit inhabituel.
- Les gaz d'échappement sont toxiques. N'utilisez jamais la machine dans une pièce fermée ou un tunnel sans ventilation (risque de suffocation et d'asphyxie au gaz). Notez que le monoxyde de carbone est un gaz inodore. Assurez-vous toujours que les endroits où la machine est utilisée sont suffisamment ventilés.
- Coupez le moteur lorsque vous faites une pause ou lorsque vous laissez le taille-haie sur perche sans surveillance. Placez la machine dans un endroit sûr et assurez-vous qu'aucun matériau combustible ne se trouve à proximité.
- Ne posez jamais le taille-haie sur perche chaud sur de l'herbe sèche ou sur un matériau combustible.
- Pour réduire les risques d'incendie, veillez à ce qu'il n'y ait ni débris, ni feuilles, ni d'excès de lubrifiant sur le moteur et le silencieux.
- Ne faites jamais fonctionner le moteur si le silencieux est défectueux.
- Coupez le moteur avant de transporter la machine.
- Coupez toujours le moteur :
  - Pause
  - Transport de la machine
  - Nettoyage de la machine
  - Remplissage du réservoir
  - Opérations d'entretien sur la machine
  - Réparation d'un problème sur la machine
- Transportez l'équipement à l'horizontale en le tenant par l'axe. Éloignez le silencieux chaud de votre corps.
- Lorsque vous transportez la machine dans un véhicule, attachez toujours fermement le taille-haie sur perche pour éviter toute fuite de carburant résiduel.
- Vidangez toujours le réservoir d'essence avant de transporter le taille-haie sur perche dans un véhicule.
- Lorsque vous déchargez la machine d'un véhicule, faites attention à ne pas la laisser tomber car cela pourrait endommager gravement le réservoir d'essence.
- Sauf en cas d'urgence, ne laissez jamais tomber le taille-haie sur perche car cela pourrait l'endommager.
- Lorsque vous transportez le taille-haie sur perche, soulevez toujours complètement la machine du sol. Ne traînez jamais la machine sur le sol car cela pourrait endommager le réservoir d'essence et causer un incendie.
- Utilisez toujours le couvercle de la lame fourni pour protéger et sécuriser le dispositif de coupe de taille-haie sur perche lors du transport et de l'entreposage.
- Si l'équipement tombe ou heurte violemment une surface, vérifiez son état avant de poursuivre l'utilisation. Recherchez une éventuelle fuite du système d'alimentation et un éventuel dysfonctionnement des dispositifs de commande et de sécurité. En cas de dommage avéré ou suspecté, adressez-vous à un centre de services agréé pour une inspection et une réparation.



## Remplissage du réservoir

- Avant de remplir le réservoir, coupez le moteur.
- Ne remplissez jamais le réservoir à proximité de flammes nues.
- Ne fumez pas lors du remplissage du réservoir.
- Laissez toujours suffisamment de temps au moteur pour refroidir avant de remplir le réservoir.
- Veillez à ce que votre peau n'entre pas en contact avec des produits pétroliers. N'inhaliez pas de vapeurs d'essence et portez toujours des gants de protections lors du remplissage du réservoir. Changez et nettoyez régulièrement votre équipement de protection.
- Faites particulièrement attention de ne pas renverser d'essence ou d'huile pour ne pas contaminer le sol (protection de l'environnement). Si de l'essence ou de l'huile a été renversée sur le taille-haie sur perche, essuyez immédiatement sa surface avec un chiffon. Pour éviter une combustion spontanée, laissez suffisamment sécher les chiffons imbibés avant de les jeter dans un conteneur fermé approprié.
- Assurez-vous que vos vêtements n'entrent pas en contact avec le carburant. Les vêtements souillés par de l'essence doivent être changés immédiatement (risque d'incendie).
- Remplacez le bouchon du réservoir d'essence et serrez-le fermement. Pour démarrer le moteur, déplacez le taille-haie sur perche à au moins 3 mètres du lieu de remplissage du réservoir.
- Vérifiez régulièrement que le bouchon du réservoir d'essence est bien fermé.
- Ne remplissez jamais le réservoir de la machine dans une pièce fermée. Les vapeurs d'essence s'accumulent au ras du sol (risque d'explosion).
- Conservez l'essence dans des conteneurs appropriés uniquement et assurez-vous qu'elle est hors de portée des enfants.



## Fonctionnement

- En cas d'urgence, coupez immédiatement le moteur.
- Si vous percevez quoi que ce soit d'anormal (bruit, vibrations, etc.) en cours d'utilisation, coupez le moteur. N'utilisez plus le taille-haie sur perche avant d'avoir trouvé et résolu le problème.
- Les lames continuent à tourner un bref instant après que vous avez relâché la commande d'accélérateur ou coupé le moteur. Ne vous précipitez pas pour toucher les lames.
- N'essayez jamais de faire fonctionner l'équipement avec une seule main. Si vous en perdez le contrôle, vous risquez de vous blesser ou de trouver la mort. Pour limiter tout risque de blessure par coupure, éloignez les mains et les pieds des lames.
- Pendant l'utilisation, votre main droite doit se trouver en-dessous de votre épaule. Sinon, vous pourriez perdre le contrôle de l'outil et vous blesser.
- Pendant l'utilisation, veillez à ce que les lames ne heurtent pas d'obstacles durs tels que des pierres et des objets métalliques. Faites tout particulièrement attention lorsque vous taillez des haies proches de ou contre des clôtures en fil de fer. Lorsque vous travaillez au ras du sol, veillez à ne pas faire pénétrer de sable, gravier ou cailloux entre les lames.
- Si les lames entrent en contact avec des cailloux ou autres objets solides, coupez immédiatement le moteur et vérifiez l'état des lames après avoir retiré la bougie d'allumage. Remplacez les lames si elles sont endommagées.
- Ne touchez pas ou ne vous approchez pas des lames lorsqu'elles sont en mouvement. Elles peuvent facilement vous sectionner les doigts. Lorsque vous manipulez les lames ou que vous vous en approchez, coupez le moteur et retirez le bouchon de la bougie d'allumage.
- Si des branches épaisses se prennent dans les lames, coupez immédiatement le moteur, posez le taille-haie sur perche sur le sol et ôtez les branches après avoir retiré le bouchon de la bougie d'allumage. Vérifiez que les lames ne sont pas endommagées avant d'utiliser l'équipement de nouveau.
- Si vous accélérez le moteur alors que les lames sont bloquées, vous augmentez la charge et risquez d'endommager le moteur et/ou l'embrayage.
- Vérifiez régulièrement les lames de coupe pendant l'utilisation pour vous assurer qu'elles ne sont pas fendues ou émoussées. Avant toute inspection, coupez le moteur et attendez que les lames s'immobilisent complètement. Remplacez immédiatement des lames endommagées ou émoussées, même si elles ne sont que partiellement fendues.
- Ne touchez pas le carter d'engrenage. Il devient chaud pendant le fonctionnement.
- Faites des pauses afin de ne pas perdre le contrôle à cause de la fatigue. Nous vous recommandons de vous reposer 10 à 20 minutes toutes les heures.
- Avant toute coupe, tirez à fond le levier d'accélérateur pour atteindre la vitesse maximale.
- Pendant l'utilisation du taille-haie sur perche, tenez toujours la machine avec les deux mains.
- N'utilisez le taille-haie sur perche que dans de bonnes conditions de visibilité et d'éclairage. Pendant les saisons froides, faites attention aux sols glissants et aux zones humides (glace et neige) (risque de chute) et assurez-vous toujours de votre stabilité.
- N'utilisez jamais le taille-haie sur perche sur des sols instables ou des terrains en pente.
- N'utilisez jamais le taille-haie sur perche en vous tenant sur une échelle.
- Ne montez jamais dans un arbre pour réaliser des opérations de coupe à l'aide du taille-haie sur perche.
- Pour réduire les risques de trébuchement ou de chute, ne reculez pas en utilisant le taille-haie sur perche.
- Coupez toujours le moteur avant de nettoyer ou de réparer la machine. Ne remplacez pas non plus de pièces avant l'arrêt du moteur.
- N'utilisez pas le taille-haie sur perche si l'unité de coupe est endommagée ou usée.





## Vibrations

- Des détériorations au niveau des vaisseaux sanguins ou du système nerveux peuvent se produire chez des personnes souffrant de troubles circulatoires et trop souvent soumises à des vibrations. Les symptômes pouvant apparaître à la suite de vibrations au niveau des doigts, des mains ou des articulations sont les suivants : « engourdissement » des membres, chatouillements, douleurs, douleur vive, altération de la peau (notamment, le changement de couleur). Si ces symptômes apparaissent, consultez un médecin !
- Pour éviter le phénomène du « doigt mort », assurez-vous de garder vos mains au chaud durant l'utilisation de l'outil et de préserver le bon état de l'outil et de ses accessoires.

## Consignes d'entretien

- Faites réparer votre équipement par nos centres de service agréés, qui n'utilisent que des pièces de rechange d'origine. Des réparations mal exécutées et un mauvais entretien peuvent réduire la durée utile de l'équipement et accroître les risques d'accident.
- Faites toujours de votre mieux pour produire le moins de pollution et de bruit possible lorsque vous utilisez le taille-haie sur perche. Veillez à ce que le carburateur soit bien réglé.
- Nettoyez le taille-haie sur perche à intervalles réguliers et vérifiez périodiquement que tous les écrous et boulons sont bien serrés.
- Ne réparez ou n'entreposez jamais le taille-haie sur perche à proximité de flammes nues, d'étincelles, etc.
- Ne réparez jamais des lames tordues ou cassées par redressage ou soudure. Des parties des lames pourraient se détacher et vous blesser grièvement. Adressez-vous à un centre de services agréé MAKITA qui les remplacera par des lames d'origine.
- Afin d'éviter d'endommager davantage le taille-haie sur perche et/ou de vous blesser, ne réparez aucun dysfonctionnement de la machine si vous n'êtes pas qualifié pour le faire. Pour toute réparation, contactez systématiquement votre vendeur ou un technicien agréé.

N'essayez pas de modifier ou de transformer le taille-haie sur perche car cela pourrait altérer la sécurité d'utilisation.

Les travaux d'entretien réalisables par l'utilisateur se limitent à ceux décrits dans ce manuel d'instructions. Toutes les autres opérations doivent être réalisées par un technicien agréé.

Adressez-vous à un centre de services agréé MAKITA pour une inspection et un entretien du taille-haie sur perche à intervalles réguliers.

N'utilisez que des pièces de rechange et des accessoires d'origine fournis par MAKITA via des services après-vente agréés.

L'utilisation d'accessoires et d'outils non agréés accroît le risque d'accident et de blessures. MAKITA ne pourra être tenue pour responsable en cas d'accident ou de dommages dus à l'utilisation d'accessoires et de pièces non agréés.

## Entreposage

- Avant d'entreposer l'équipement, procédez à un nettoyage et un entretien complets. Fixez le couvre-lame.
- Vidangez le réservoir d'essence avant l'entreposage et rangez toujours le taille-haie sur perche dans une pièce verrouillée suffisamment ventilée. Assurez-vous que le taille-haie sur perche est toujours hors de portée des enfants.
- N'appuyez pas l'équipement contre quelque chose, comme un mur. Le taille-haie sur perche pourrait tomber soudainement et provoquer des blessures.

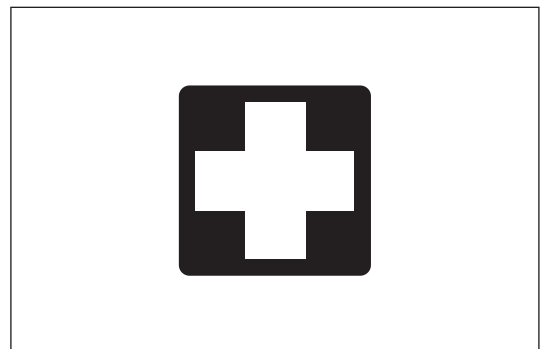
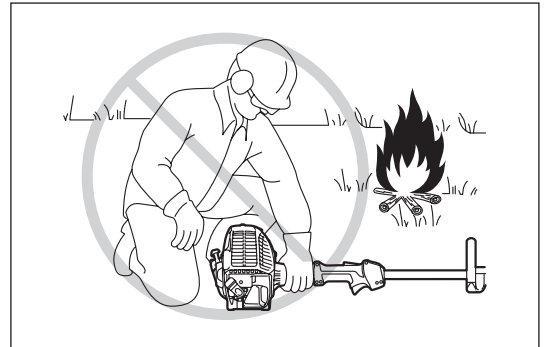
## Premiers soins

Par précaution en cas d'accident, assurez vous de disposer d'un kit de premiers soins à portée de main.

Remplacez sans délai tout élément utilisé dans la trousse de premiers soins.

## Si vous demandez de l'aide en cas d'urgence, donnez les informations suivantes :

- le lieu de l'accident ;
- les conditions de l'accident ;
- le nombre de blessés ;
- la gravité des blessures ;
- votre nom.



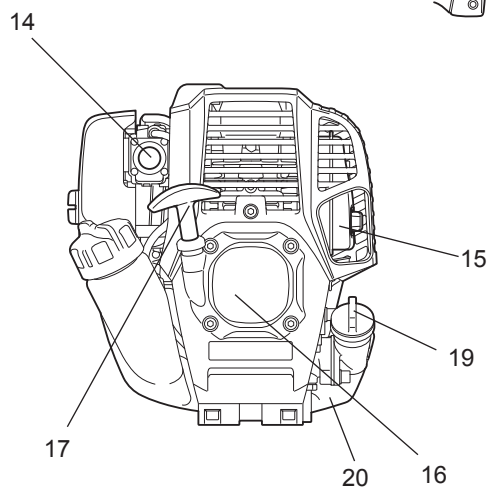
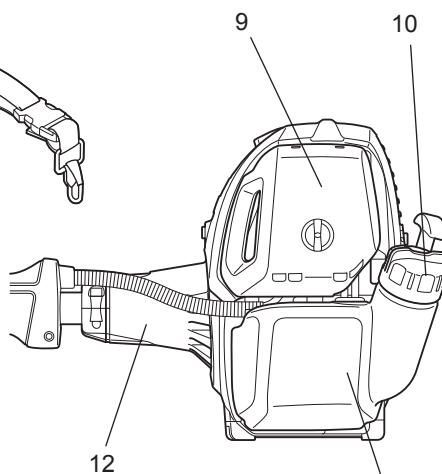
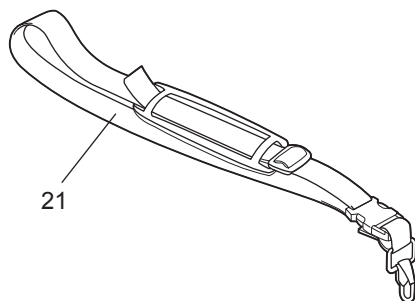
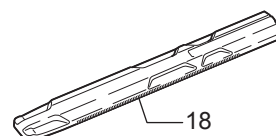
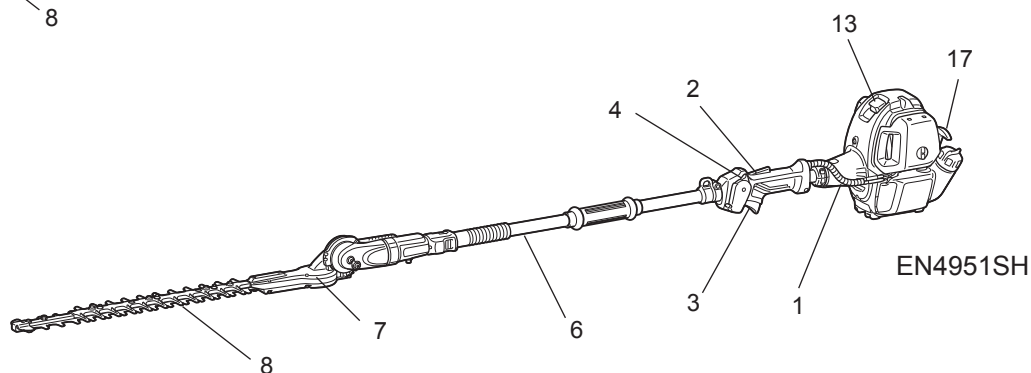
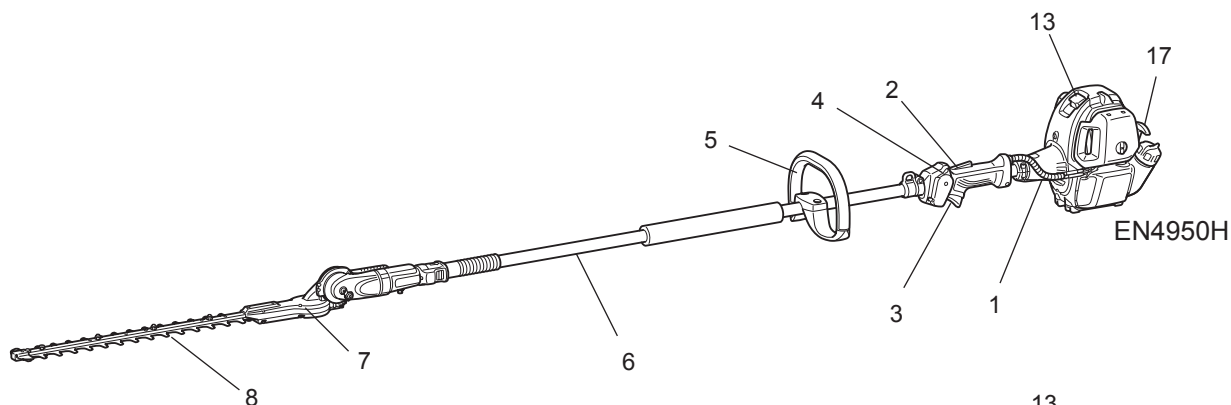


## DONNÉES TECHNIQUES

Modèle	EN4950H	EN4951SH
	Poignée arceau	Poignée droite
Dimensions (L x P x H)	100-3/8" x 9-1/2" x 9-1/2" (2 550 mm x 242 mm x 241 mm)	80-1/2" x 8-3/4" x 9-1/2" (2 050 mm x 221 mm x 241 mm)
Poids net	15,21 lbs (6,9 kg)	14,55 lbs (6,6 kg)
Volume (réservoir d'essence)	36,6 po <sup>3</sup> (0,6 l)	
Longueur de coupe	19-1/4" (490 mm)	
Diamètre maximum des branches	9/32" (7 mm)	
Cadence de coupe	4 200/min	
Type de moteur	Monocylindre 4 temps, à refroidissement à air	
Cylindrée	1,5 po <sup>3</sup> (25,4 cm <sup>3</sup> )	
Rendement maximal du moteur	1,03 ch à 7 000/min (0,77 kW à 7 000 min <sup>-1</sup> )	
Vitesse moteur à la vitesse de broche maximale recommandée	10 000 tr/min	
Consommation d'essence	0,33 kg/h	
Consommation d'essence spécifique	408 g/kWh	
Vitesse au ralenti	3 000 tr/min	
Vitesse d'embrayage	4 400 tr/min	
Carburateur (carburateur à membrane)	Type de diaphragme	
Bougie d'allumage	type	NGK CMR4A
Distance entre les électrodes	1/32" (0,7 - 0,8 mm)	
Carburant	Essence automobile (carburant)	
Huile à moteur	Huile de grade API classe SF ou supérieure SAE 10W-30 (huile pour moteur à quatre temps)	
Rapport de transmission	1/4,78	

(Pour le Canada) REMARQUE : Le système d'allumage par bougie est conforme à la norme canadienne ICES-002.

## DÉSIGNATION DES PIÈCES



	Désignation des pièces
1	Câble de commande des gaz
2	Levier de sécurité
3	Levier d'accélérateur
4	Commutateur d'arrêt
5	Poignée
6	Axe
7	Boîte de vitesses
8	Lame de coupe
9	Filtre à air
10	Bouchon du réservoir d'essence
11	Réservoir d'essence
12	Carter d'embrayage
13	Bouchon de la bougie d'allumage
14	Pompe d'amorçage
15	Silencieux
16	Lanceur à rappel
17	Poignée de démarrage
18	Couvercle de lame
19	Bouchon d'huile
20	Réservoir d'huile
21	Bandoulière (accessoire optionnel)

## MONTAGE

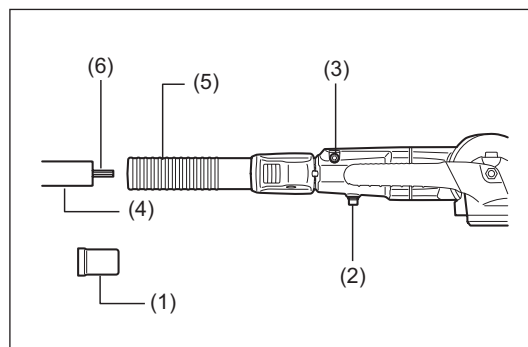
### ⚠ AVERTISSEMENT :

- Assurez-vous que le moteur est coupé et retirez le bouchon de la bougie d'allumage avant de monter le taille-haie sur perche.
- Portez des gants de protection !
- Sécurisez les lames de coupe à l'aide du couvercle de lame fourni lorsque vous fixez l'unité de coupe à la perche.

1. Retirez le bouchon (1) de l'axe.
2. Desserrez le boulon M5 x 16 (2) et le boulon M5 x 25 (3).
3. Insérez l'axe (4) dans le manchon (5).

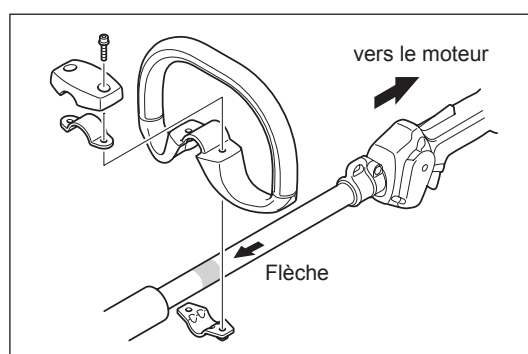
REMARQUE : Assurez-vous que l'axe est complètement inséré dans le manchon (environ 237 mm/9-3/8").  
Si vous avez des difficultés à insérer l'axe, pivotez légèrement l'arbre d'entraînement (6) à la main et essayez de nouveau.

4. Assurez-vous que l'axe est inséré correctement et serrez le boulon M5 x 16 et le boulon M5 x 25.



### FIXATION DE LA POIGNÉE (pour le modèle EN4950H)

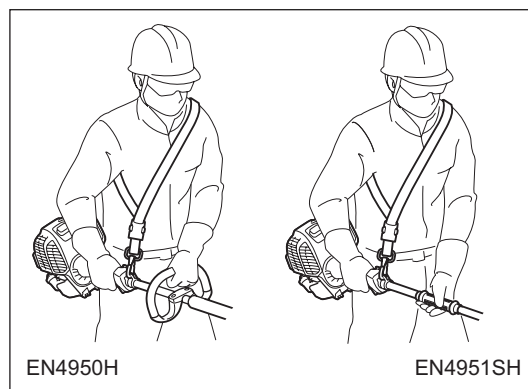
- Fixez la poignée arceau sur l'axe comme indiqué.
- Pour conserver une distance correcte entre les poignées, placez la poignée arceau devant les flèches.



## BANDOULIÈRE (accessoire optionnel)

### Comment porter la bandoulière

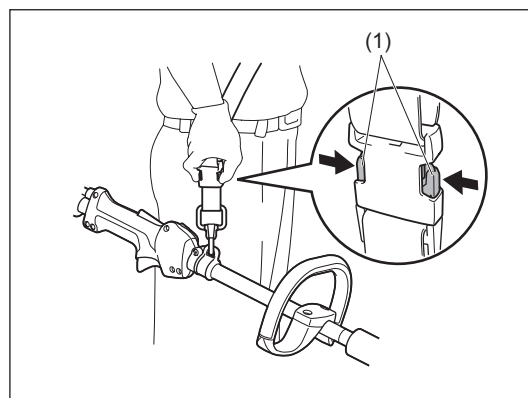
- Portez la bandoulière sur l'épaule gauche.
- Maintenez le taille-haie sur perche sur le côté droit de votre corps.
- Fixez l'attache sur l'étrier de fixation du taille-haie sur perche et ajustez sa longueur afin d'obtenir une position de travail confortable.



### Détachement

- En cas d'urgence, appuyez sur les entailles (1) de chaque côté, vous pourrez alors vous libérer de la machine.  
Veillez à garder le contrôle de la machine à ce moment précis. Ne laissez pas la machine se retourner vers vous ou vers une personne proche de vous.

AVERTISSEMENT : Si le contrôle de la machine venait à vous échapper totalement, vous pourriez vous blesser très grièvement ou même trouver la MORT.



# ESSENCE/REPLISSAGE DU RÉSERVOIR

## AVANT UTILISATION

### Inspection et remplissage de l'huile moteur

- Procédez comme suit, une fois le moteur refroidi.
- Placez le moteur de niveau, retirez le bouchon d'huile (Fig. 1) et vérifiez si le niveau d'huile est entre les repères de limite supérieure et inférieure sur le tuyau d'huile (Fig. 2).
- Rajoutez de l'huile jusqu'au repère de limite supérieure si le niveau est insuffisant (proche du repère de limite inférieure) (Fig. 3).
- La zone entre les repères externes est transparente, le niveau d'huile à l'intérieur peut donc être contrôlé sans avoir à retirer le bouchon d'huile. Cependant, si le tuyau d'huile devient très sale, la visibilité peut être altérée et le niveau d'huile doit être comparé à la section crantée à l'intérieur du tuyau d'huile.
- Pour informations, le temps de remplissage de l'huile est d'environ 10 heures (tous les 10 remplissages).  
Si l'huile change de couleur ou se mélange à des impuretés, changez-la. (Pour connaître la fréquence et la méthode de remplacement, reportez-vous à la page 42)

**Huile recommandée :** SAE 10W-30 huile de classification API, classe SF ou supérieure (moteur automobile à 4 temps)

**Quantité d'huile :** environ 0,08 l

**REMARQUE :** Si le moteur n'est pas de niveau, l'huile peut se répandre dans le moteur et le remplissage peut être excessif.  
Si vous mettez trop d'huile, elle peut être souillée ou s'enflammer en dégageant une fumée blanche.

### Remarque 1 concernant le changement d'huile : « Bouchon d'huile »

- Retirez la poussière ou les impuretés au niveau de l'orifice de remplissage d'huile, puis détachez le bouchon d'huile.
- Veillez à ce que le bouchon d'huile n'entre pas en contact avec du sable ou de la poussière. Le sable ou la poussière adhérant au bouchon d'huile pourrait perturber la circulation de l'huile ou entraîner une usure des pièces du moteur, ce qui pourrait causer des problèmes.

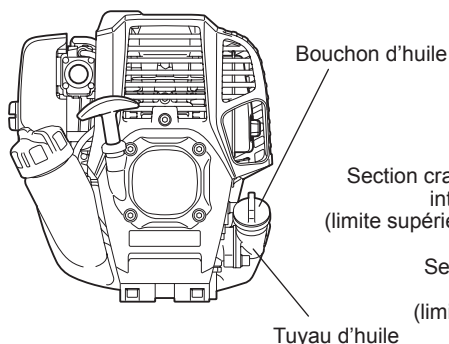


Fig. 1

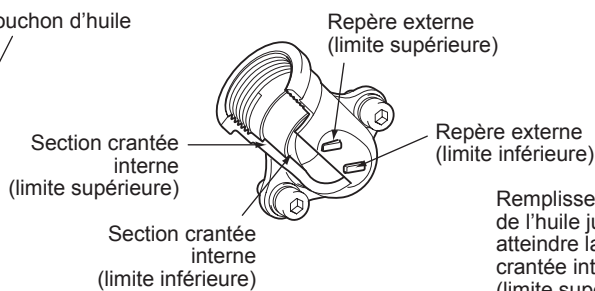


Fig. 2 Tuyau d'huile

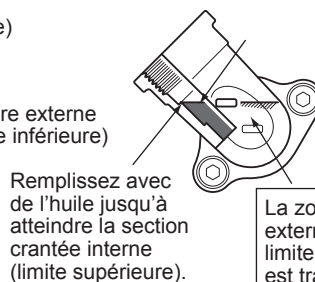
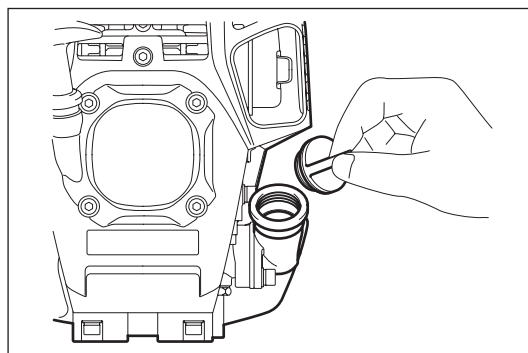
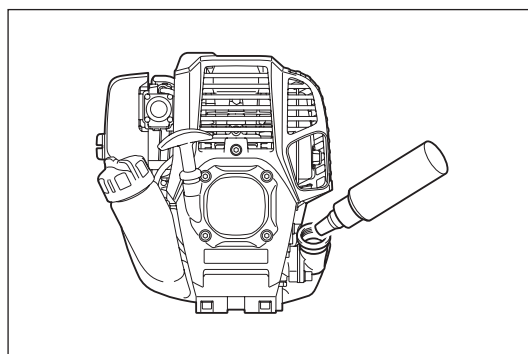


Fig. 3

(1) Maintenez le moteur de niveau et détachez le bouchon d'huile.



(2) Remplissez d'huile jusqu'au repère de limite supérieure. (voir Fig. 3)  
Utilisez la bouteille d'huile pour effectuer le remplissage.



(3) Serrez bien le bouchon d'huile. Un bouchon d'huile insuffisamment serré peut fuir.

#### Remarque

- Ne versez pas d'huile lorsque le moteur est incliné.
- Verser de l'huile alors que le moteur est incliné entraîne un remplissage excessif, ce qui peut causer une contamination de l'huile et/ou une fumée blanche.

#### Remarque 2 concernant le changement d'huile : « Si l'huile déborde »

- Si l'huile déborde entre le réservoir d'essence et le corps du moteur, elle sera aspirée par l'orifice d'admission d'air de refroidissement et contaminera le moteur. Veillez à essuyer l'huile qui aurait pu être renversée avant de démarrer la machine.

## REPLISSAGE DU RÉSERVOIR

### Manipulation de l'essence

Vous devez manipuler l'essence avec une extrême précaution. L'essence peut contenir des substances telles que des solvants. Vous devez procéder au remplissage dans une pièce suffisamment ventilée ou en plein air. Tenez-vous éloigné de l'essence et évitez d'en inhaler les vapeurs. Si l'essence entre en contact plusieurs fois ou pendant longtemps avec votre peau, vous pourriez souffrir de sécheresse cutanée, entraînant maladies de peau ou allergies. En cas de projection d'essence dans les yeux, rincez à l'eau claire. Si vos yeux restent irrités, consultez un médecin.

### Entreposage de l'essence

Vous devez utiliser l'essence dans un délai de 4 semaines, même si vous la conservez dans un conteneur spécial, dans un endroit ombragé et bien ventilé.

Sinon l'essence peut se détériorer en une journée.

#### ENTREPOSAGE DE LA MACHINE ET REPLISSAGE DU RÉSERVOIR

- Entrez la machine et son réservoir dans un endroit frais non soumis à la lumière directe du soleil.
- Ne laissez jamais l'essence dans une voiture.

### Carburant

Le moteur est un moteur à quatre temps. Veillez à utiliser de l'essence automobile sans plomb, indice d'octane 87 ou plus ((R+M)/2). Elle ne doit pas contenir plus de 10 % d'alcool (E-10).

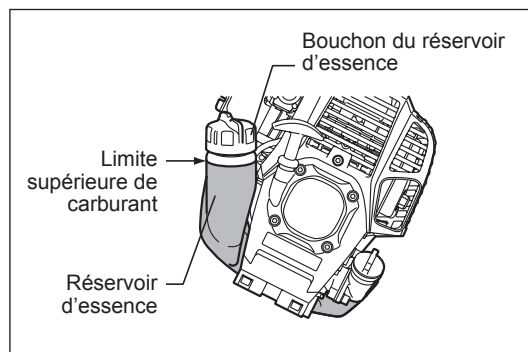
#### Remarques concernant l'essence

- N'utilisez jamais une essence mélangée avec de l'huile moteur. Cela pourrait entraîner une accumulation excessive de carbone ou des problèmes mécaniques.
- L'utilisation d'une huile altérée entraînera un démarrage difficile.

### Remplissage du réservoir

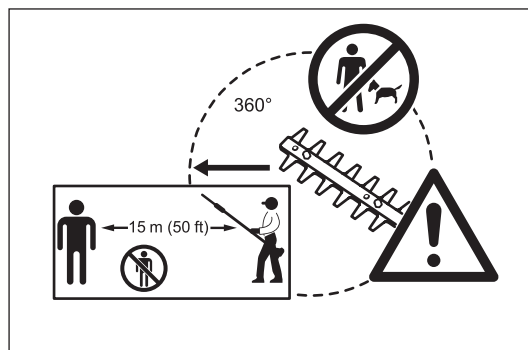
#### AVERTISSEMENT : PRODUITS INFLAMMABLES STRICTEMENT INTERDITS

- Desserrez un peu le bouchon du réservoir pour libérer la pression.
  - Retirez le bouchon du réservoir, remplissez ce dernier et évacuez l'air en inclinant le réservoir pour que l'orifice de remplissage soit orienté vers le haut. (NE remplissez PAS le réservoir d'essence jusqu'en haut.)
  - Essuyez bien le pourtour du bouchon du réservoir pour éviter que des substances étrangères ne pénètrent à l'intérieur du réservoir d'essence.
  - Après le remplissage, veillez à bien serrer le bouchon du réservoir.
- Si le bouchon du réservoir présente un défaut ou est endommagé, remplacez-le.
  - Le bouchon du réservoir s'use au fil du temps. Remplacez-le tous les deux à trois ans.



## PRÉCAUTIONS À PRENDRE AVANT DE DÉMARRER LE MOTEUR

- Un périmètre de sécurité d'un diamètre de 15 mètres autour de la zone de travail doit toujours être maintenu. Assurez-vous qu'aucune personne (en particulier des enfants) ni aucun animal ne pénètre dans ce périmètre.
- Avant d'utiliser le taille-haie sur perche, vérifiez toujours que la machine est en bon état de marche. Assurez-vous que les lames de coupe ne sont pas endommagées et que le levier d'accélérateur peut être actionné facilement. Assurez-vous que les lames de coupe ne sont pas en mouvement lorsque le moteur est au ralenti. Si la machine ne fonctionne pas normalement, contactez votre vendeur afin de la faire régler. Vérifiez que les poignées sont propres et sèches et que le commutateur marche/arrêt fonctionne correctement. Suivez strictement les instructions données dans ce manuel pour démarrer le moteur. Ne démarrez pas le taille-haie sur perche d'une autre façon.
- Démarrez le moteur du taille-haie sur perche uniquement après avoir lu et totalement compris les instructions. N'essayez jamais de démarrer un taille-haie sur perche dont le montage n'est pas terminé. Vous risqueriez de graves blessures.
- Avant de démarrer le moteur, assurez-vous toujours que des pierres, des branches ou d'autres objets durs ne sont pas coincés dans les lames de coupe.
- Vérifiez qu'il n'y a pas de fils de fer, de cordes, de bouts de verre ou tout autre objet étranger sur la zone de travail pouvant entrer en contact avec les lames de coupe.
- Choc électrique : sachez où se trouvent toutes les lignes électriques à proximité. Contrôlez la présence de lignes et de clôtures électriques de la zone de travail avant de commencer à travailler.



## REMARQUES CONCERNANT LE FONCTIONNEMENT ET L'ARRÊT DE LA MACHINE

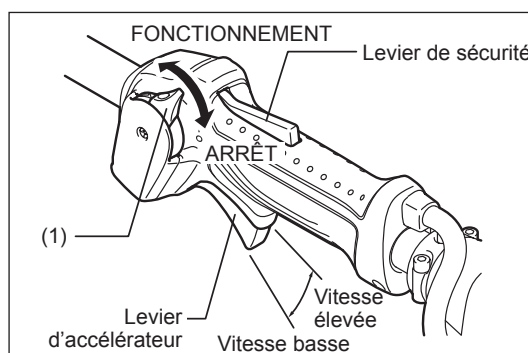
Respectez la réglementation en vigueur sur la prévention des accidents !

### DÉMARRAGE

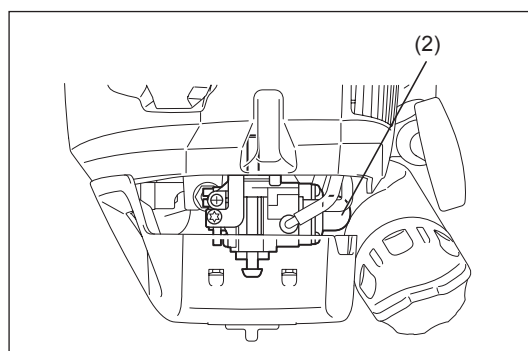
Allez à au moins 3 mètres du lieu de remplissage du réservoir. Placez le taille-haie sur perche sur une portion de sol dégagée en veillant à ce que les lames de coupe n'entrent pas en contact avec le sol ou tout autre objet.

#### A : Démarrage à froid

- 1) Posez la machine sur une surface plane.
- 2) Basculez le commutateur marche/arrêt (1) sur FONCTIONNEMENT.



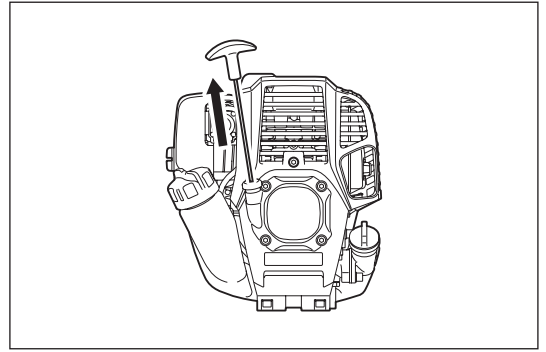
- 3) Pompe d'amorçage  
Continuez à appuyer sur la pompe d'amorçage (2) jusqu'à ce que l'essence pénètre à l'intérieur. (En général, l'essence pénètre dans la pompe d'amorçage après 7 à 10 pressions.) Si vous appuyez trop sur la pompe d'amorçage, un excédent d'essence retourne dans le réservoir.



- 4) Lanceur à rappel  
Tirez délicatement sur la poignée de démarrage jusqu'à ce que cela devienne difficile (point de compression). Relâchez la poignée de démarrage puis tirez dessus fermement. Ne tirez jamais la corde à fond. Une fois la poignée de démarrage tirée, ne la relâchez pas immédiatement. Raccompagnez la poignée de démarrage jusqu'à sa position d'origine.

- 5) Réchauffage  
Poursuivez le réchauffage pendant 2 à 3 minutes.

REMARQUE : En cas d'admission d'essence excessive, retirez la bougie d'allumage et tirez lentement sur la poignée de démarrage afin de supprimer l'excédent d'essence. Vous pouvez aussi sécher l'électrode de la bougie d'allumage.



#### **B : Démarrage après le réchauffage**

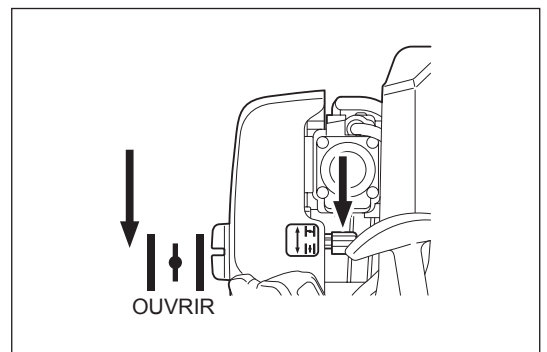
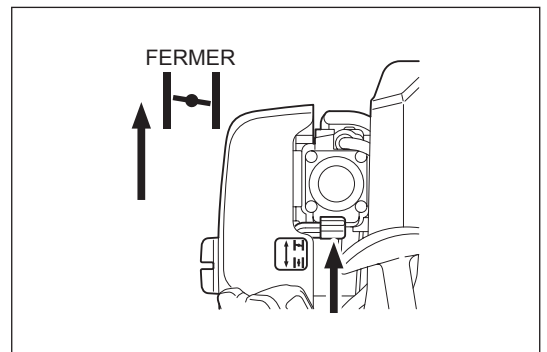
- 1) Appuyez doucement plusieurs fois sur la pompe d'amorçage.
- 2) Maintenez le levier d'accélérateur en fonctionnement de ralenti.
- 3) Tirez fermement sur le lanceur à rappel.
- 4) Si le démarrage du moteur se révèle difficile, ouvrez l'étrangleur d'environ 1/3. Faites attention aux lames de coupe qui pourraient se mettre en mouvement.

**Lorsque le démarrage du moteur est difficile, en hiver par exemple, actionnez le levier d'étrangleur de la manière suivante.**

- Après avoir effectué les étapes de démarrage 1) à 3), basculez le levier d'étrangleur sur FERMER.
- Effectuez l'étape de démarrage 4) et démarrez le moteur.
- Une fois le moteur démarré, basculez le levier d'étrangleur sur OUVRIR.
- Effectuez l'étape de démarrage 5) et terminez le réchauffage.

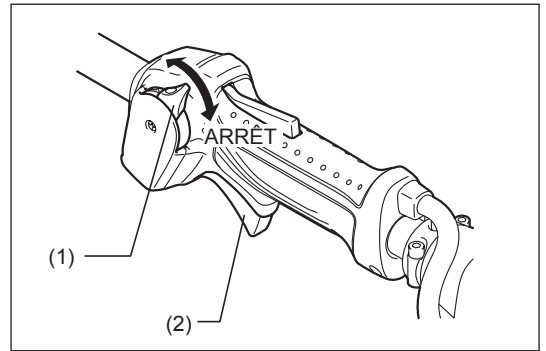
ATTENTION : Si le bruit d'une explosion retenti et le moteur s'arrête, ou si le moteur à peine démarré cale avant que le levier d'étrangleur ne soit actionné, rebasculez le levier d'étrangleur sur OUVRIR et tirez de nouveau sur la poignée de démarrage quelques fois pour démarrer le moteur.

ATTENTION : Si le levier d'étrangleur est laissé sur la position FERMER et la poignée de démarrage seulement tirée plusieurs fois, une quantité excessive d'essence est aspirée et le moteur devient difficile à démarrer.



## ARRÊT

- 1) Relâchez complètement le levier d'accélérateur (2), puis une fois que la vitesse du moteur a baissé, basculez le commutateur marche/arrêt (1) sur ARRÊT, cela coupe le moteur.
- 2) La tête de coupe peut ne pas s'arrêter immédiatement, attendez qu'elle s'arrête complètement.

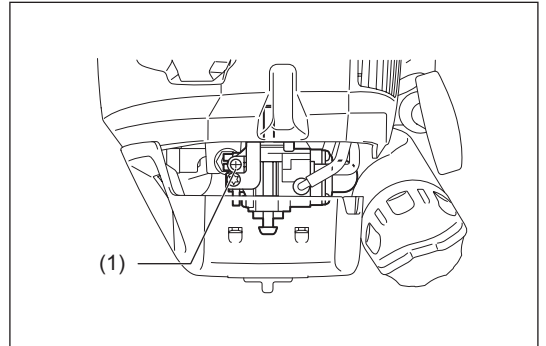


## RÉGLAGE DE LA ROTATION À FAIBLE VITESSE (RALENTI)

Si vous devez régler la rotation à faible vitesse (ralenti), utilisez la vis de réglage du carburateur (1).

## VÉRIFICATION DE LA ROTATION À FAIBLE VITESSE

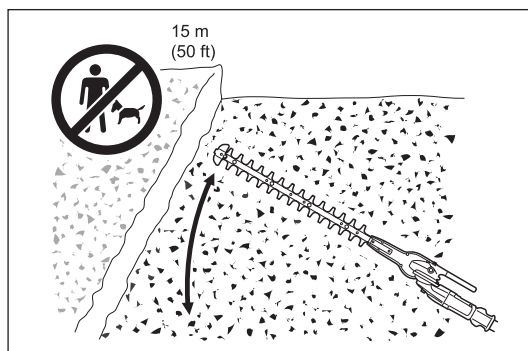
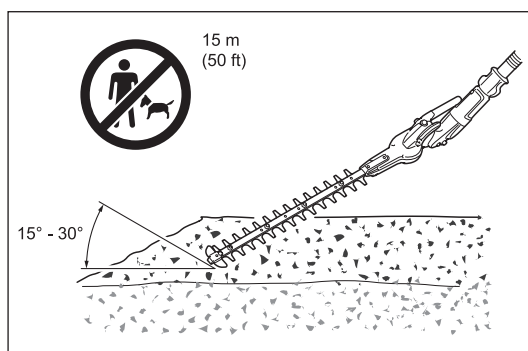
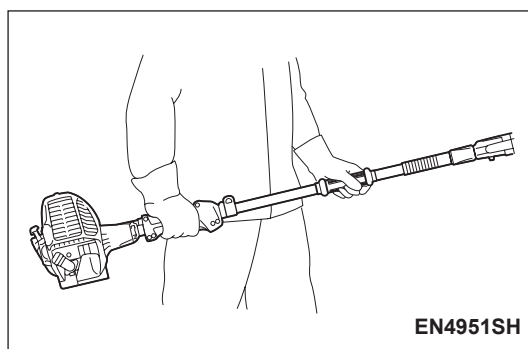
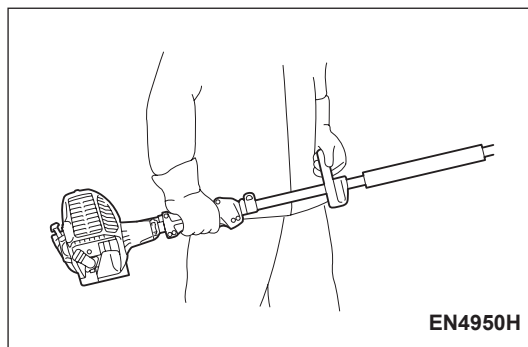
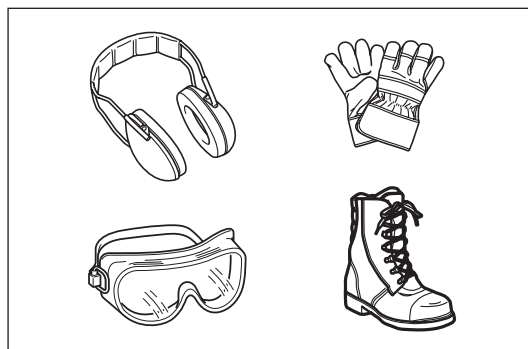
- Réglez la rotation à faible vitesse à 3 000 tr/min.  
S'il est nécessaire de modifier la vitesse de rotation, réglez la vis de réglage (1) à l'aide d'un tournevis cruciforme.
- Tournez la vis de réglage vers la droite et la vitesse du moteur augmente.  
Tournez la vis de réglage vers la gauche et la vitesse du moteur diminue.
- Le carburateur est généralement réglé avant expédition. Si un réglage supplémentaire est nécessaire, veuillez contacter un centre de service agréé.





## UTILISATION DU TAILLE-HAIE SUR PERCHE

- Ne touchez pas la partie avec la lame de coupe du taille-haie sur perche pendant son fonctionnement ou lorsque le moteur tourne.
- Veillez particulièrement à ne pas inhaler les gaz d'échappement lorsque vous travaillez avec le taille-haie sur perche. N'utilisez jamais le taille-haie sur perche dans une pièce fermée ou un endroit où la ventilation est insuffisante (risque de suffocation et d'asphyxie au gaz). Notez que le monoxyde de carbone est un gaz inodore, ce qui signifie qu'il ne peut pas être détecté par l'odorat.
- Portez toujours un équipement de protection adapté avant de commencer à travailler avec le taille-haie sur perche.
- Coupez le moteur immédiatement si le silencieux ne fonctionne pas correctement.
- N'utilisez le taille-haie sur perche que dans de bonnes conditions de visibilité et d'éclairage.
- N'utilisez pas le taille-haie sur perche dans l'obscurité ou le brouillard. Pendant les saisons froides, faites attention aux sols glissants et aux zones humides (glace et neige) (risque de chute) et assurez-vous toujours de votre stabilité.
- N'utilisez jamais le taille-haie sur perche sur des sols instables ou des terrains en pente.
- N'utilisez jamais le taille-haie sur perche en vous tenant sur une échelle.
- Ne montez jamais dans un arbre pour réaliser des opérations de coupe à l'aide du taille-haie sur perche.
- Vérifiez continuellement qu'il n'y a pas de fils de fer, de cordes, de bouts de verre ou tout autre objet étranger sur la zone de travail pouvant entrer en contact avec les lames de coupe.
- Assurez-vous que les lames de coupe sont en mouvement rapide avant de commencer la coupe.
- Tenez toujours le taille-haie sur perche avec les deux mains et empoignez-le fermement lorsque vous travaillez avec.
- Pour garantir un contrôle optimal du taille-haie sur perche, enroulez toujours complètement vos mains autour des poignées (utilisez vos pouces pour faire contre-pression) et serrez-les fermement.
- Notez que les lames de coupe resteront en mouvement pendant deux secondes au maximum après le relâchement du levier d'accélérateur.
- N'effectuez pas de coupe avec le taille-haie sur perche avec une vitesse de moteur faible.
- La vitesse des lames de coupe ne peut pas être réglée correctement avec le levier d'accélérateur lorsque le moteur tourne à faible vitesse.
- Pour tailler le dessus d'une haie, alignez d'abord les lames de coupe à un angle de 15° à 30° dans le sens de la coupe et maintenez le taille-haie sur perche en position horizontale. Commencez ensuite à tailler la haie en effectuant un mouvement de balancier, comme si vous dessiniez des segments circulaires avec l'axe du taille-haie sur perche.
- Pour tailler les côtés d'une haie, alignez les lames parallèlement à la surface à couper et commencez à tailler en effectuant des mouvements semi-circulaires vers le haut (de bas en haut).
- Faites attention lorsque vous taillez une haie proche de ou contre des clôtures en fil de fer.
- Ne touchez pas des objets durs tels qu'une clôture en fil de fer, des pierres ou le sol avec les lames de coupe. Cela pourrait fendre, ébrécher ou casser les lames.
- N'utilisez pas le taille-haie sur perche pendant une période de temps prolongée. En règle générale, faites une pause de 10 à 20 minutes toutes les 50 minutes d'utilisation.
- Si les lames de coupe entrent en contact avec des pierres ou d'autres objets durs, coupez immédiatement le moteur et vérifiez que les lames ne sont pas endommagées. Remplacez les lames si elles sont endommagées.
- Si un problème survient pendant l'utilisation du taille-haie sur perche (bruits anormaux, vibrations, etc.), coupez immédiatement le moteur. N'utilisez plus la machine tant que le problème n'a pas été identifié et résolu.
- Faites toujours de votre mieux pour produire le moins de pollution et de bruit possible lorsque vous utilisez le taille-haie sur perche. Veillez à ce que le carburateur soit bien réglé.
- Si des branches épaisses se coincent dans les lames de coupe, coupez immédiatement le moteur, posez l'équipement au sol et retirez les matériaux coincés. Vérifiez que les lames ne sont pas endommagées avant d'utiliser la machine de nouveau.



## Ajustement de l'angle de coupe

### Avertissement :

- N'utilisez pas l'outil lorsque l'unité de coupe est lâche ou instable.

Vous pouvez ajuster l'angle de coupe vers le haut jusqu'à 45° et vers le bas jusqu'à 90°.

1. Arrêtez le moteur du taille-haie sur perche et posez la machine sur le sol.
2. Pour ajuster l'angle de l'unité de coupe, maintenez la poignée (**A**) de l'unité de coupe avec une main et maintenez le verrouillage d'angle (**B**) avec l'autre main, comme illustré ci-dessous.
3. Tirez doucement le verrouillage d'angle et modifiez l'angle de l'unité de coupe. Après avoir ajusté l'angle, repositionnez doucement le verrouillage d'angle.

### Remarque :

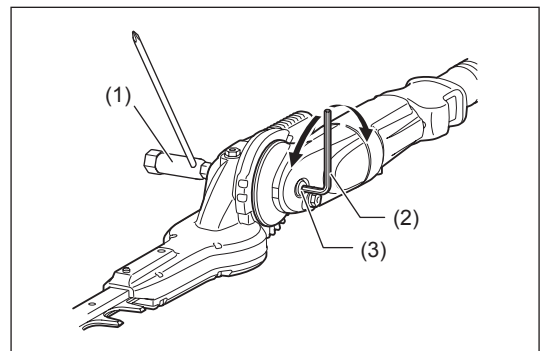
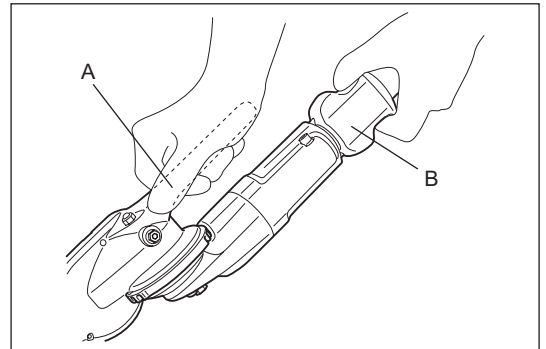
- L'unité de coupe ne se fixe le long de la rainure de l'unité que pour certains angles. Assurez-vous que l'unité de coupe est correctement installée. Si l'angle n'est pas correct, l'embrayage est décalé et l'outil ne pourra pas fonctionner.
- N'ajustez pas l'unité de coupe lorsque le taille-haie sur perche est à la verticale.
- Déplacez le commutateur marche/arrêt sur « O » et placez le taille-haie sur perche à plat sur le sol pour ajuster l'angle de coupe.
- Fixez toujours les lames sur le couvercle de lame fourni avant d'ajuster l'angle de coupe.

Si l'unité de coupe est lâche, le boulon (ajustement de l'angle de l'axe) doit être serré.

1. Disposez la clé à douille (1) et la clé hexagonale (2) sur le boulon (3).
2. Ajustez le serrage de l'unité de coupe en tournant la clé hexagonale, puis serrez le boulon en tournant la clé à douille.

### Remarque :

- Ne serrez pas trop l'unité de coupe. L'angle de l'unité de coupe ne peut pas être modifié si celle-ci est trop serrée.



## ENTRETIEN

- Avant d'effectuer tout travail d'entretien sur le taille-haie sur perche (nettoyage de la lame, etc.), coupez toujours le moteur et attendez qu'il refroidisse. Prenez une précaution supplémentaire en retirant également le bouchon de la bougie d'allumage.
- N'essayez pas de redresser ni de souder des lames de coupe pliées ou cassées. Remplacez toujours les lames endommagées.
- Coupez le moteur à intervalles réguliers pour vérifier que les lames de coupe ne sont pas endommagées (effectuez un léger test de résonance pour détecter d'éventuelles fissures invisibles). Assurez-vous que les dents des lames sont affûtées.
- Nettoyez le taille-haie sur perche régulièrement. Pendant le nettoyage, vérifiez également que toutes les vis ainsi que tous les écrous et boulons sont bien serrés.
- Pour réduire le risque d'incendie, n'effectuez jamais de travaux d'entretien ou n'entreposez jamais le taille-haie sur perche à proximité de flammes nues.
- Portez toujours des gants de protection solides lorsque vous manipulez les lames de coupe.
- Contactez votre vendeur pour obtenir des lames de coupe de remplacement.
- N'utilisez jamais d'essence, de benzine, de solvant, d'alcool ou tout autre produit similaire pour nettoyer l'appareil. Ces produits risquent de provoquer des décolorations, des déformations ou des fissures.

### Affûtage de la lame

Si les lames de coupe sont émoussées et que leur performance de coupe est médiocre, faites affûter les lames par un technicien agréé.

### Réglage de l'espace entre les lames

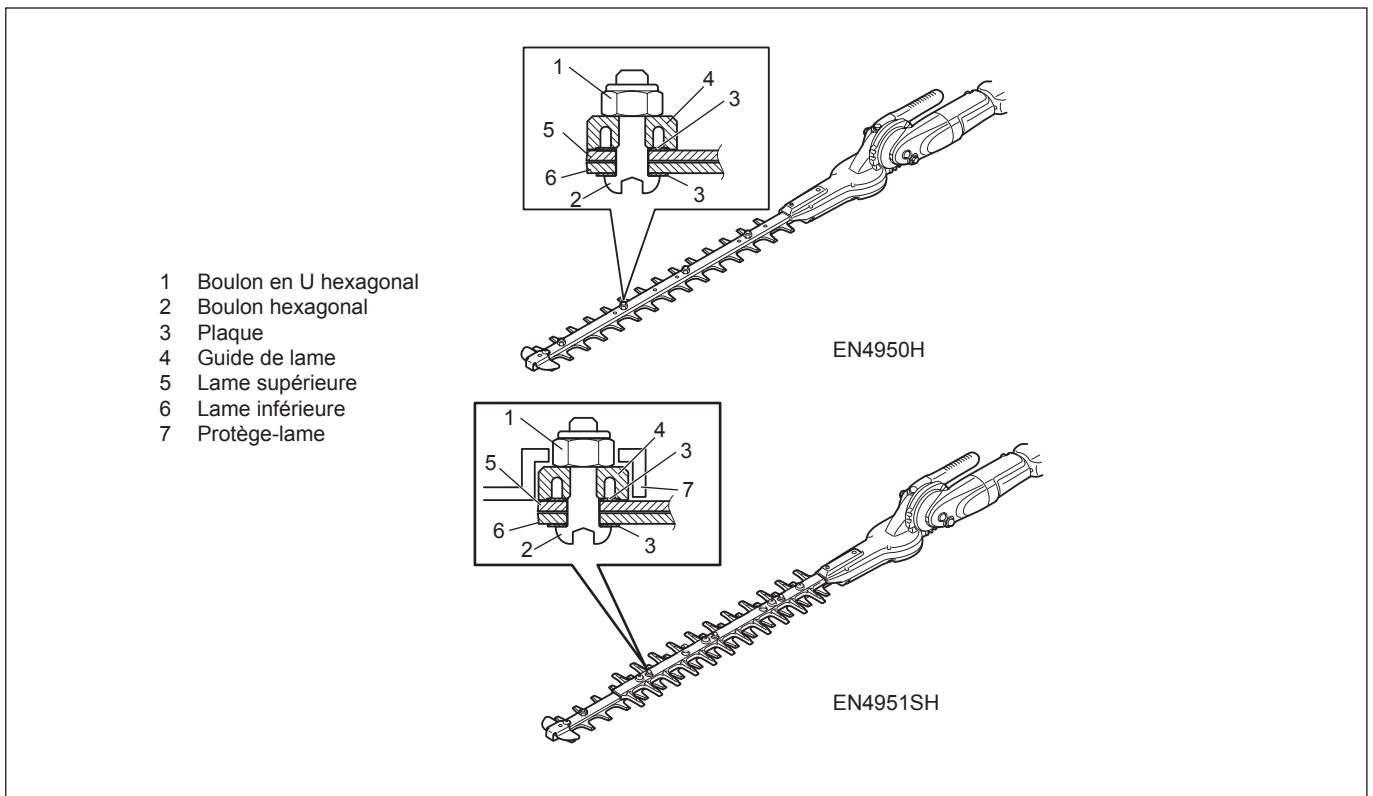
Les lames supérieure et inférieure s'usent progressivement avec l'utilisation. Si vous n'arrivez pas à obtenir une coupe nette bien que les lames soient suffisamment affûtées, réglez l'espace comme suit.

Le serrage du boulon hexagonal permet de régler l'espace entre les lames. L'écrou maintient un certain serrage du boulon hexagonal. Si l'espace est trop important, la coupe sera peu efficace, mais un espace trop faible causera une surchauffe inutile et une usure prématurée des lames.

1. Desserrez l'écrou (1) à l'aide d'une clé polygonale ou ouverte.
2. Serrez légèrement le boulon hexagonal (2) avec une clé hexagonale jusqu'à ce qu'il s'arrête. Ensuite, desserrez-le d'un quart de tour à un demi-tour pour obtenir l'espacement nécessaire.
3. Serrez l'écrou (1) en maintenant le boulon hexagonal (2).
4. Appliquez de l'huile légère sur les surfaces de friction des lames.
5. Démarrez le moteur puis accélérez et décélérez pendant une minute.
6. Coupez le moteur et touchez la surface des lames. Si elles ne sont pas trop chaudes pour être touchées, vous avez effectué le bon réglage. Si elles sont trop chaudes pour être touchées, desserrez légèrement le boulon hexagonal (2) et répétez les étapes 5 à 6.

REMARQUE : Avant d'effectuer le réglage, coupez le moteur et attendez que les lames s'arrêtent.

Les lames disposent d'une encoche autour du boulon hexagonal (2). Si vous trouvez de la poussière à l'extrémité de l'une des encoches, nettoyez-la.

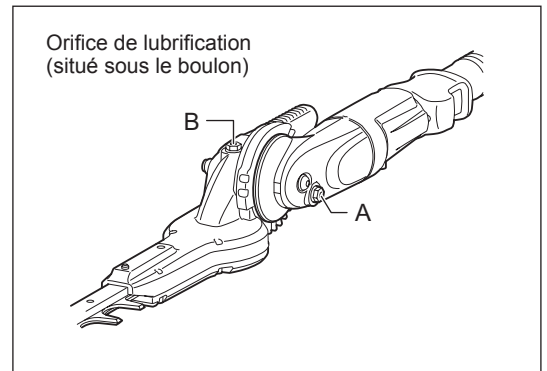


## Ajout de graisse et de lubrifiant

**Important : assurez-vous que la surface de la boîte de vitesses est complètement froide avant de lubrifier.**

- La boîte de vitesses du taille-haie sur perche doit être graissée toutes les 25 heures de travail. L'orifice de lubrification est situé sous le boulon. Retirez le boulon pour effectuer la lubrification. Ajoutez environ 3 g (4 cc) de lubrifiant sur le point A de la boîte de vitesse et 5 g (7 cc) de lubrifiant sur le point B par l'orifice de lubrification. Remplacez le boulon après la lubrification. Une fois que vous avez versé la quantité adéquate de graisse, celle-ci s'écoule un peu à la base de la lame pendant la première utilisation.

**ATTENTION :** Respectez les intervalles de graissage et la quantité de graisse à appliquer.  
Les pièces mécaniques du taille-haie sur perche peuvent être endommagées si de la graisse n'est pas appliquée aux intervalles spécifiés ou si une quantité de graisse insuffisante est ajoutée.



## Vérification et entretien quotidiens

Pour garantir une longue durée de vie de votre taille-haie sur perche, effectuez les vérifications et opérations d'entretien suivantes quotidiennement.

- Avant utilisation :
  - Vérifiez toujours qu'aucune pièce n'est desserrée ou manquante avant de démarrer la machine. Faites particulièrement attention à l'unité de coupe et assurez-vous que les vis de verrouillage de la lame de coupe sont bien serrées.
  - Vérifiez que les passages d'air de refroidissement et les ailettes de refroidissement du cylindre ne sont pas obstrués avant de démarrer la machine. Nettoyez au besoin.
- Après utilisation :
  - Nettoyez l'extérieur du taille-haie sur perche et vérifiez qu'il n'a pas été endommagé.
  - Nettoyez le filtre à air. Nettoyez le filtre plusieurs fois par jour si vous travaillez dans des conditions très poussiéreuses.
  - Vérifiez que les lames de coupe ne sont pas endommagées. Assurez-vous que les lames sont fixées fermement.
  - Si les lames de coupe continuent de fonctionner au ralenti après le réglage, consultez le technicien agréé le plus proche.

## REPLACEMENT DE L'HUILE MOTEUR

L'huile moteur usagée raccourcira grandement la durée de vie des pièces coulissantes et rotatives. Veillez à vérifier la fréquence et le nombre des remplacements.



**DANGER :** En général, le corps du moteur et l'huile moteur restent chauds immédiatement après l'arrêt du moteur. Lorsque vous remplacez l'huile moteur, vérifiez que le corps du moteur et l'huile ont suffisamment refroidi. Sinon, vous risquez de vous brûler. Après avoir coupé le moteur, laissez suffisamment de temps à l'huile moteur pour revenir au réservoir d'huile pour garantir une lecture exacte de l'indicateur de niveau d'huile.

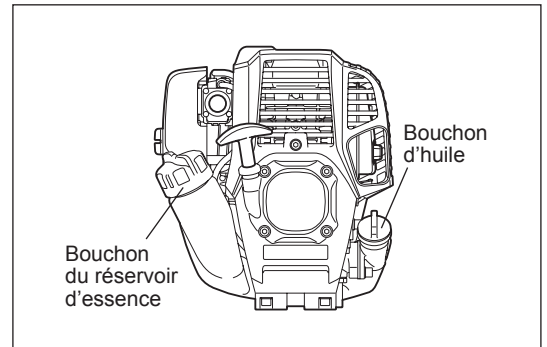
**REMARQUE :** Si vous mettez trop d'huile, elle peut être souillée ou s'enflammer en dégageant une fumée blanche.

**Intervalle entre les remplissages :** Après les 20 premières heures de fonctionnement, puis toutes les 50 heures de fonctionnement

**Huile recommandée :** SAE10W-30 huile de classification API, classe SF ou supérieure (moteur automobile à 4 temps)

Pour le remplacement, procédez comme suit.

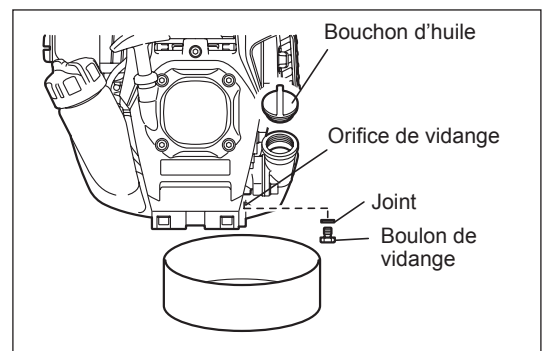
- 1) Assurez-vous que le bouchon du réservoir d'essence est bien serré.
- 2) Placez un grand récipient (cuvette, etc.) sous l'orifice de vidange.



- 3) Retirez le boulon de vidange puis enlevez le bouchon d'huile pour vidanger l'huile par l'orifice de vidange. À ce moment, veillez à ne pas égarer le joint du boulon de vidange ni salir les composants retirés.

- 4) Une fois que l'huile a été vidangée, combinez le joint et le boulon de vidange et serrez fermement ce dernier de manière à ce qu'il ne puisse pas se desserrer et causer des fuites.

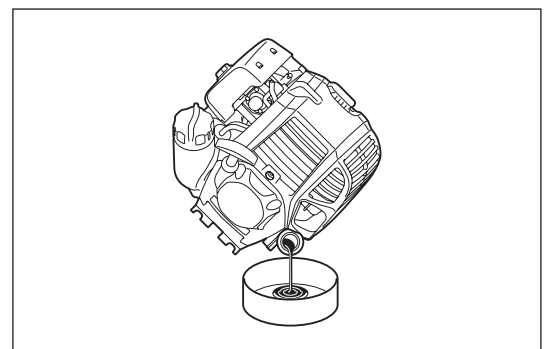
\* Utilisez un chiffon pour essuyer complètement l'huile sur le boulon et l'équipement.



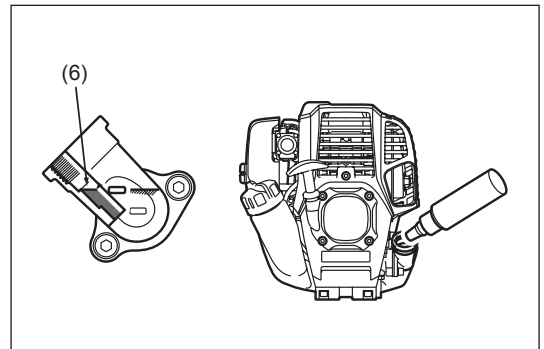
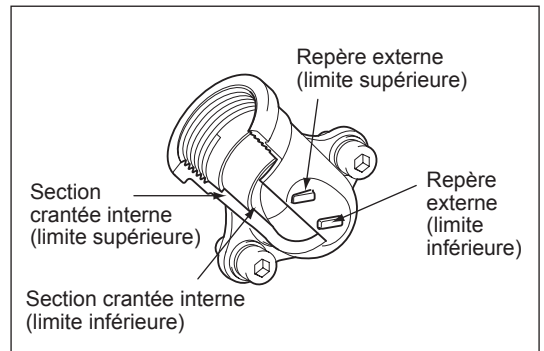
### Autre méthode de vidange

Retirez le bouchon d'huile, inclinez le taille-haie sur perche en direction de l'orifice de remplissage d'huile et vidangez l'huile.

Récupérez l'huile dans un récipient.



- 5) Placez le moteur de niveau et remplissez progressivement jusqu'au repère de limite supérieure (6) avec de l'huile neuve.
- 6) Après le remplissage, serrez fermement le bouchon d'huile de manière à ce qu'il ne puisse pas se desserrer et causer des fuites. Si le bouchon d'huile n'est pas serré fermement, il peut fuir.



#### REMARQUES CONCERNANT L'HUILE

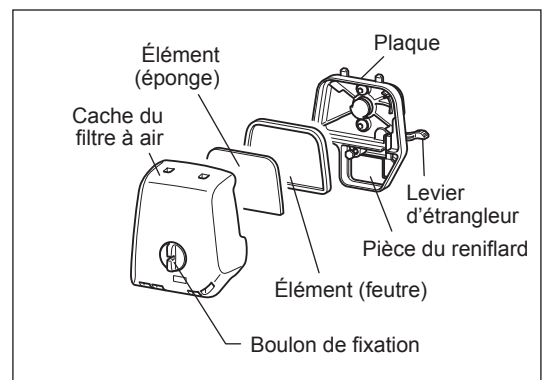
- Ne déversez jamais l'huile usagée dans une poubelle, sur le sol ou dans une canalisation. La mise au rebut de l'huile usagée est réglementée par la loi. Vous devez vous conformer aux lois et réglementations en vigueur. En cas de doute, contactez un technicien agréé.
- L'huile se détériore même si elle n'est pas utilisée. Procédez fréquemment à une inspection et à un remplacement (remplacez-la tous les 6 mois).

#### Nettoyage du filtre à air

##### DANGER : Produits inflammables strictement interdits

Contrôlez et nettoyez le filtre à air tous les jours ou toutes les 10 heures de fonctionnement.

- Fermez complètement le levier d'étrangleur et veillez à ce qu'il n'y ait ni poussière ni impuretés sur le carburateur.
- Desserrez le boulon de fixation.
- Retirez le cache du filtre à air en tirant sur sa partie inférieure.
- Retirez les éléments et tapotez dessus pour enlever les impuretés.
- Si les éléments sont très encrassés : Retirez les éléments, plongez-les dans de l'eau tiède ou de l'eau additionnée d'un détergent neutre, puis séchez-les complètement. Lors du nettoyage, ne les pressez et ne les frottez pas.
- Avant de replacer les éléments, veillez à les sécher complètement. Un séchage insuffisant des éléments peut entraîner des problèmes de démarrage.
- Essuyez l'huile restante autour du cache du filtre à air et de la pièce du reniflard avec un chiffon.
- Insérez le premier élément (éponge) dans l'autre élément (feutre).
- Insérez ces éléments dans la plaque avec l'éponge face au cache du filtre à air.
- Fixez immédiatement le cache du filtre et serrez-le avec les boulons de fixation. (Lorsque vous le remontez, engagez d'abord la tranche supérieure puis la tranche inférieure.)



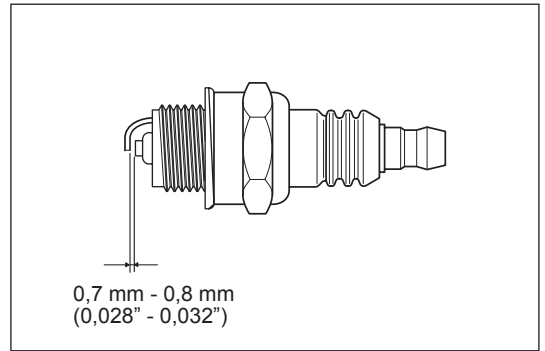
#### REMARQUE :

- Nettoyez les éléments plusieurs fois par jour, en cas d'adhérence excessive de poussière. Les éléments sales réduisent la puissance du moteur et compliquent le démarrage de celui-ci.
- Retirez l'huile sur les éléments. Si vous continuez à utiliser les éléments sans nettoyer l'huile qui se trouve dessus, l'huile pourrait déborder du filtre à air et contaminer l'environnement.
- Ne posez pas les éléments sur le sol ou dans un endroit sale. Des impuretés ou des débris pourraient se coller dessus et endommager le moteur.
- N'utilisez jamais de carburant pour nettoyer les éléments. Le carburant peut les endommager.

### VÉRIFICATION DE LA BOUGIE D'ALLUMAGE

- Utilisez uniquement la clé universelle fournie pour retirer ou installer la bougie d'allumage.
- L'écart entre les deux électrodes de la bougie d'allumage doit être de 0,7 - 0,8 mm (0,028" - 0,032"). Si l'écart est trop important ou pas assez, ajustez-le. Si la bougie d'allumage est obstruée ou encrassée, nettoyez-la bien ou remplacez-la.

ATTENTION : Ne touchez jamais le connecteur de la bougie d'allumage lorsque le moteur fonctionne (danger de choc électrique à haute tension).



### Nettoyage du filtre à carburant (hauteur d'aspiration dans le réservoir d'essence)

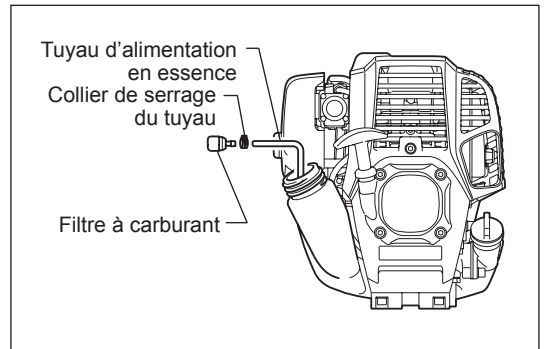
#### AVERTISSEMENT : PRODUITS INFLAMMABLES STRICTEMENT INTERDITS

Contrôlez et nettoyez le filtre à carburant tous les jours ou toutes les 50 heures de fonctionnement.

Vérifiez le filtre à carburant périodiquement. Pour contrôler le filtre à carburant, suivez les étapes ci-dessous.

- (1) Retirez le bouchon du réservoir d'essence, vidangez l'essence pour vider le réservoir. Vérifiez l'intérieur du réservoir pour voir s'il reste des substances étrangères. Si c'est le cas, retirez-les.
- (2) Tirez la hauteur d'aspiration à l'aide d'un crochet métallique par l'orifice du réservoir.
- (3) Si le filtre à carburant est un peu obstrué, nettoyez-le. Pour cela, secouez-le et tapotez-le doucement dans le carburant. Pour éviter tout endommagement, ne le pressez et ne le frottez pas. Le carburant utilisé pour le nettoyage doit être mis au rebut selon la méthode spécifiée par la loi en vigueur dans votre pays. Si le filtre à carburant devient dur ou est trop obstrué, remplacez-le.
- (4) Après le contrôle, le nettoyage ou le remplacement, appuyez sur le filtre à carburant pour le mettre en place en bas du réservoir d'essence.

Un filtre à carburant obstrué ou endommagé peut entraîner une alimentation en essence insuffisante et réduire la puissance du moteur. Remplacez le filtre à carburant au moins tous les trois mois afin de garantir une bonne arrivée d'essence dans le carburateur.



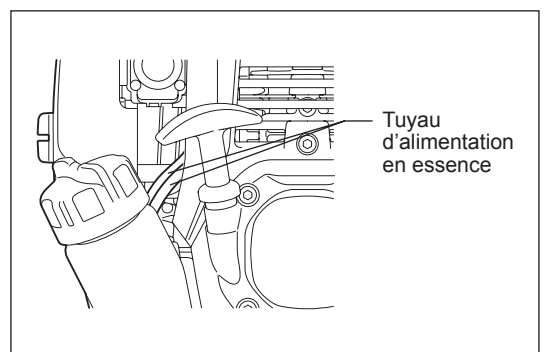
### Remplacement du tuyau d'alimentation en essence

#### ATTENTION : Produits inflammables strictement interdits

Contrôlez et nettoyez le tuyau d'alimentation en essence tous les jours ou toutes les 10 heures de fonctionnement.

Remplacez le tuyau d'alimentation en essence toutes les 200 heures de fonctionnement ou tous les ans, quelle que soit la fréquence d'utilisation. Sinon, une fuite d'essence peut provoquer un embrasement.

Si vous détectez une fuite lors de l'inspection, remplacez immédiatement le tuyau d'alimentation en essence.



### INSPECTION DES BOULONS, ÉCROUS ET VIS

- Resserrez les boulons, écrous, etc. desserrés.
- Vérifiez d'éventuelles fuites d'essence et d'huile.
- Remplacez les pièces endommagées pour un fonctionnement en toute sécurité.

### NETTOYAGE DES PIÈCES

- Gardez le moteur propre en l'essuyant à l'aide d'un chiffon.
- Tenez les ailettes du cylindre loin de toute poussière ou impureté. La poussière ou les impuretés adhérant aux ailettes entraîneront un grippage du piston.

### REPLACEMENT DES JOINTS ET GARNITURES

Remplacez les joints et garnitures si le moteur est démonté. Pour toute opération d'entretien ou de réglage non décrite dans ce manuel, consultez votre service après-vente agréé MAKITA.



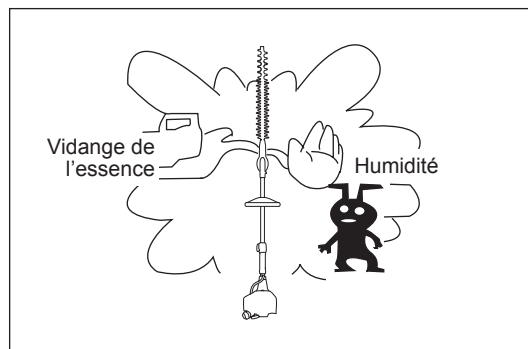
## ENTREPOSAGE

**AVERTISSEMENT :** Pour vidanger l'essence, coupez le moteur et attendez qu'il refroidisse.

Autrement, il y a risque de brûlure ou d'incendie.

**ATTENTION :** Lorsque vous entreposez la machine pendant une période prolongée, vidangez entièrement le réservoir d'essence et le carburateur, puis entreposez-les dans un endroit propre et sec.

- Vidangez le réservoir d'essence et le carburateur en procédant comme suit :
- 1) Retirez le bouchon du réservoir d'essence et vidangez totalement le réservoir. Retirez tout matériau étranger resté éventuellement dans le réservoir.
- 2) Ôtez le filtre à carburant par l'orifice de remplissage à l'aide d'un câble.
- 3) Appuyez sur la pompe d'amorçage jusqu'à ce que l'essence soit vidangée puis vidangez l'essence entrant dans le réservoir.
- 4) Remplacez le filtre sur le réservoir d'essence et serrez bien le bouchon du réservoir.
- 5) Puis continuez à faire fonctionner le moteur jusqu'à ce qu'il s'arrête.
- Retirez la bougie d'allumage et versez quelques gouttes d'huile moteur dans l'orifice de la bougie.
- Tirez doucement sur la poignée de démarrage pour que l'huile moteur se répande dans le moteur, et placez la bougie d'allumage.
- Fixez le cache des lames de coupe.
- Règle générale, entreposez la machine en position horizontale. Si cela n'est pas possible, placez-la de manière à ce que le moteur se trouve sous l'outil de coupe. Autrement, une fuite d'huile moteur pourrait se produire de l'intérieur.
- Veillez toujours à entreposer la machine à un endroit sûr, de façon à éviter que la machine soit endommagée et éviter les blessures.
- Conservez l'essence vidangée dans un endroit ombragé et bien ventilé.



**Attention après un entreposage de longue durée**

- Avant de démarrer la machine après un arrêt prolongé, veillez à remplacer l'huile (reportez-vous à la page 42). L'huile se détériore lorsque la machine demeure inutilisée.

Élément	Temps de fonctionnement							Arrêt/ pause	Page correspondante
		Avant l'utilisation	Quotidien (10 h)	25h	50 h	200 h			
Huile moteur	Inspecter/ Nettoyer	○						33	
	Remplacer				○ <sup>*1</sup>			42	
Serrage des pièces (boulon, écrou)	Inspecter	○						44	
Réservoir d'essence	Nettoyer/ Inspecter	○						-	
	Vidange de l'essence						○ <sup>*3</sup>	45	
Levier d'accélérateur	Vérifier fonctionnement	○						35	
Commutateur d'arrêt	Vérifier fonctionnement	○						35, 37	
Lames de coupe	Inspecter	○	○					35, 40	
Rotation à faible vitesse	Inspecter/ Régler		○					37	
Filtre à air	Nettoyer		○					43	
Bougie d'allumage	Inspecter		○					44	
Tuyau d'air de refroidissement	Nettoyer/ Inspecter		○					44	
Tuyau d'alimentation en essence	Inspecter		○					44	
	Remplacer					⊙ <sup>*2</sup>		-	
Lubrification du carter d'engrenage	Remplir			○				41	
Filtre à carburant	Nettoyer/ Remplacer				○			44	
Écart entre la valve d'admission d'air et la valve d'évacuation d'air	Ajuster					⊙ <sup>*2</sup>		-	
Révision du moteur						⊙ <sup>*2</sup>		-	
Carburateur	Vidange de l'essence						○ <sup>*3</sup>	45	

\*1 Procédez à un premier remplacement après 20 heures de fonctionnement.

\*2 Pour l'inspection des 200 heures de fonctionnement, consultez un technicien agréé ou un vendeur.

\*3 Après la vidange du réservoir d'essence, continuez à faire fonctionner le moteur et vidangez l'essence du carburateur.

## DÉPANNAGE

Avant de demander une réparation, procédez vous-même à une vérification. En cas d'anomalie, contrôlez votre machine conformément à la description du présent manuel. Ne modifiez ni de démontez jamais une pièce d'une autre façon. Pour les réparations, contactez un technicien agréé ou un détaillant.

Anomalie	Cause probable (dysfonctionnement)	Solution
Le moteur ne démarre pas	Impossible d'actionner la pompe d'amorçage	Appuyez de 7 à 10 fois
	Vitesse insuffisante de tirage de la corde du lanceur	Tirez fermement
	Pas assez de carburant	Ajoutez du carburant
	Filtre à carburant obstrué	Nettoyer
	Tuyau de carburant sectionné	Réparez le tuyau de carburant
	Carburant détérioré	L'essence usagée perturbe le démarrage. La remplacer. (Remplacement recommandé : chaque mois)
	Aspiration de carburant excessive	Basculez la levier d'accélérateur de la vitesse moyenne à la grande vitesse, puis tirez le lanceur jusqu'au démarrage du moteur. <b>Une fois le moteur démarré, la rotation des lames de coupe commence. Faire très attention aux lames de coupe.</b> Si le moteur ne démarre toujours pas, retirez la bougie d'allumage, séchez l'électrode puis réinsérez la bougie. Démarrez ensuite comme indiqué.
	Embout de la bougie détaché	Fixez-le fermement
	Bougie d'allumage encrassée	Nettoyer
	Écartement anormal des électrodes de la bougie d'allumage	Réglez l'écartement des électrodes
	Autre anomalie de la bougie d'allumage	Remplacer
	Anomalie du carburateur	Demandez une inspection et un entretien.
	Impossible de tirer la corde du lanceur	Demandez une inspection et un entretien.
	Anomalie du système d'entraînement	Demandez une inspection et un entretien.
Le moteur s'arrête rapidement La vitesse du moteur n'augmente pas	Réchauffage insuffisant	Réchauffez le moteur
	Levier d'étrangleur basculé sur « H » même si le moteur est réchauffé.	Réglez le levier à « III »
	Filtre à carburant obstrué	Nettoyer ou remplacer
	Filtre à air encrassé ou obstrué	Nettoyez
	Anomalie du carburateur	Demandez une inspection et un entretien.
	Anomalie du système d'entraînement	Demandez une inspection et un entretien.
La lame de coupe ne bouge pas ↓ Arrêt immédiat du moteur	L'angle de l'unité de coupe est incorrect	Assurez-vous que le verrouillage d'angle s'engage correctement.
	Écrou de serrage des lames de coupe desserré	Resserrez le boulon fermement
	Ramilles prises dans les lames de coupe.	Retirez le corps étranger
	Anomalie du système d'entraînement	Demandez une inspection et un entretien.
Le corps de l'outil vibre de façon anormale ↓ Arrêt immédiat du moteur	Lames de coupe brisées, tordues ou usées	Remplacez les lames de coupe
	Écrou de serrage des lames de coupe desserré	Resserrez le boulon fermement
	Anomalie du système d'entraînement	Demandez une inspection et un entretien.
Les lames de coupe ne s'arrêtent pas immédiatement ↓ Arrêt immédiat du moteur	Vitesse de rotation à vide trop élevée	Ajustez
	Câble de l'étrangleur détaché	Fixez-le fermement
	Anomalie du système d'entraînement	Demandez une inspection et un entretien.
Le moteur ne s'arrête pas ↓ Faire fonctionner le moteur au ralenti et basculer le levier d'étrangleur sur « H »	Connecteur détaché	Fixez-le fermement
	Anomalie du système électrique	Demandez une inspection et un entretien.

Si le moteur ne démarre pas après le réchauffage :  
si vous ne trouvez aucune anomalie après vérification, ouvrez l'étrangleur d'environ 1/3 et démarrez le moteur.

Muchas gracias por haber escogido el cortasetos de extensión MAKITA. Nos complace ofrecerle un producto que es el resultado de un extenso programa de desarrollo y muchos años de conocimiento y experiencia.

Para obtener un óptimo rendimiento y seguridad de su cortasetos de extensión MAKITA, lea por favor este manual detalladamente antes de usar el equipo, y siga todas las instrucciones que aquí se indican para asegurar una operación adecuada del cortasetos de extensión MAKITA.



## Tabla de contenido

## Página

Símbolos.....	48
Instrucciones de seguridad.....	49
Especificaciones técnicas.....	53
Identificación de las piezas.....	54
Ensamble.....	55
Correa para hombro (accesorio opcional).....	55
Combustible/reabastecimiento .....	56
Precauciones antes de arrancar el motor.....	58
Uso del cortasetos de extensión .....	61
Mantenimiento .....	63
Almacenamiento.....	68
Resolución de problemas.....	70

## SÍMBOLOS

Por favor tome nota de los siguientes símbolos que observará durante la lectura de este manual.

	ADVERTENCIA / PELIGRO		Tenga cuidado de posibles machucaduras
	Antes de usar, lea detalladamente y comprenda por completo las instrucciones en este manual		Tenga cuidado de cables eléctricos y el posible riesgo de descarga eléctrica
	PROHIBICIÓN		Combustible (Gasolina)
	No fumar		Encendido manual del motor
	No exponer a llamas de fuego		Paro de emergencia
	Use calzado protector		Primeros auxilios
	Use guantes protectores		ENCENDIDO / INICIAR
	Mantenga el área de trabajo despejada de personas y mascotas		APAGADO / PARAR
	Use un casco protector, así como protección ocular y auditiva		

## INSTRUCCIONES DE SEGURIDAD

### Instrucciones generales

- Antes de usar, lea cuidadosamente este manual y familiarícese detalladamente con la correcta operación del cortasetos de extensión. ¡ESTE EQUIPO PUEDE CAUSAR GRAVES LESIONES SI SE USA INDEBIDAMENTE!
- Al prestar el cortasetos de extensión a otra persona, proporcione siempre las instrucciones detalladas sobre el uso correcto del equipo. Asegúrese de incluir el manual de instrucciones junto con el cortasetos de extensión al hacer la entrega.
- Los usuarios primerizos deberán consultar con su distribuidor las instrucciones básicas sobre un manejo apropiado del cortasetos de extensión.
- Guarde este manual en un lugar al que tenga fácil acceso para consultas rápidas.
- No permita que personas menores de 18 años usen el cortasetos de extensión. Sin embargo, puede que personas desde los 16 años usen el cortasetos de extensión con propósitos de entrenamiento siempre y cuando sea bajo la constante supervisión de un adulto que esté familiarizado con la operación del equipo.
- Use el cortasetos de extensión con máxima precaución y atención siempre.
- Nunca intente hacer alteraciones en el equipo.
- Siga las regulaciones en su país sobre el manejo de cortasetos de extensión.
- Si el cortasetos de extensión se usa en las siguientes circunstancias, puede que resulte en una lesión grave. No use el cortasetos de extensión:
  - Al estar cansado(a) o enfermo(a).
  - Tras el consumo de alcohol y/o medicamentos.
  - Durante la noche o en condiciones de poca iluminación.
  - Durante el embarazo.

### Uso destinado

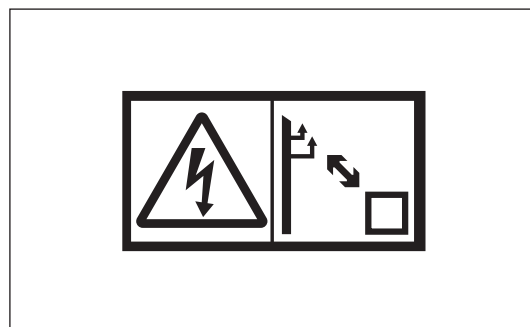
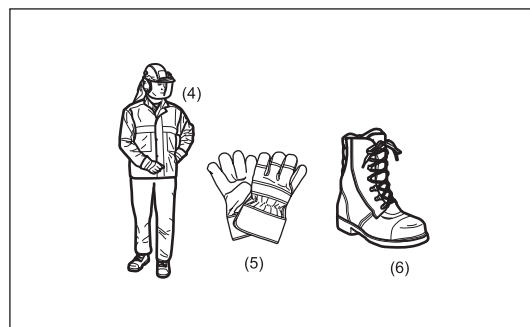
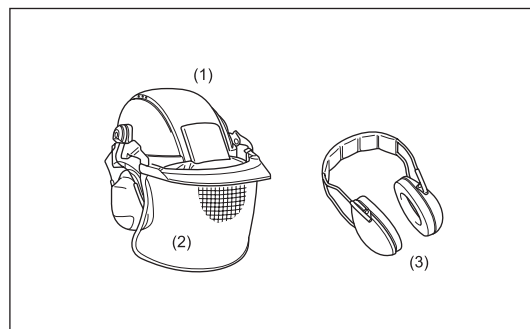
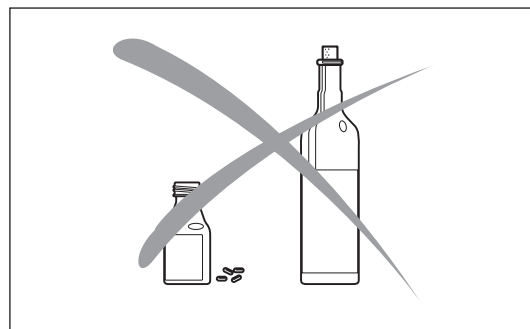
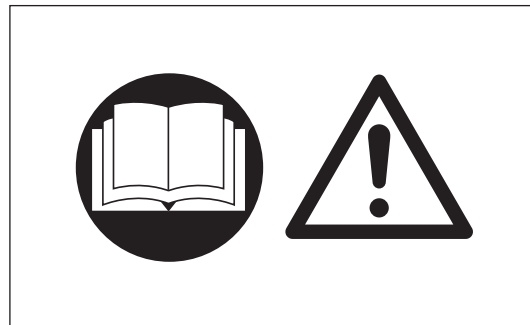
- Este cortasetos de extensión ha sido diseñado con el único propósito de podar setos y arbustos. No utilice el cortasetos de extensión para cualquier otro propósito.

### Equipo protector personal

- La indumentaria a ser utilizada deberá ser funcional y quedar ceñida al cuerpo sin que ésta restrinja el movimiento. Evite el uso de vestimenta o joyería con la cual la maleza o el mismo equipo podría enredarse.
- Para una protección apropiada contra lesiones en su cabeza, ojos, pies y manos, así como daños en su capacidad auditiva, se deberá utilizar el siguiente equipo protector al trabajar con el cortasetos de extensión.
- Para evitar lesiones a la cabeza y los ojos, use siempre casco protector (1) con gafas protectoras o visor (2).
- Para evitar daños a su capacidad auditiva, use barreras defensoras contra el ruido (3) apropiadas en sus oídos durante todo el tiempo de utilización del equipo.
- El uso de overol de trabajo (4) que quede apropiadamente ajustado se recomienda ampliamente.
- Use siempre guantes de trabajo robustos de piel (5) al utilizar el cortasetos de extensión.
- Al usar el cortasetos de extensión, use siempre calzado resistente (6) con suela antiderrapante. El uso de calzado especial para el trabajo asegura un pisado firme y protege contra lesiones.
- Use guantes protectores al tocar la(s) cuchilla(s) cortadora(s). Las cuchillas pueden ocasionar graves cortaduras a las manos expuestas.

### Seguridad en el área de trabajo

- **⚠ PELIGRO:** Mantenga el cortasetos de extensión alejado del cableado del servicio eléctrico y telecomunicaciones. El contacto o acercamiento a las líneas de alto voltaje con el cortasetos de extensión puede resultar en graves lesiones o incluso la muerte. Antes de iniciar la operación, inspeccione el área de trabajo para ver si hay cableado y cercos eléctricos alrededor.
- Arranque y opere el motor solamente en lugares en el exterior que cuenten con buena ventilación. La operación en un lugar confinado con ventilación insuficiente puede resultar en muerte por sofocación (ahogamiento) o intoxicación con monóxido de carbono.
- Durante la operación, mantenga a las personas alrededor, especialmente los niños así como las mascotas, a 15 m de distancia del cortasetos de extensión. Pare el motor tan pronto alguien se aproxime.
- Antes de la operación, inspeccione el área de trabajo para ver si hay cercos de alambre, piedras y otros objetos duros. Esto podrá dañar las cuchillas.
- **⚠ ADVERTENCIA:** El uso de este producto puede generar polvo compuesto de sustancias químicas que pueden causar enfermedades respiratorias, entre otros males. Algunos ejemplos de estos químicos son los compuestos que se encuentran en los pesticidas, insecticidas, fertilizantes y herbicidas. El riesgo al que se expone variara, dependiendo de la frecuencia con la que realice este tipo de trabajo. Para reducir la exposición a estos productos químicos: trabaje en un área bien ventilada, y póngase el equipo de seguridad indicado, tal como las máscaras contra el polvo que están especialmente diseñadas para filtrar partículas microscópicas.



## Encendido del cortasetos de extensión

- Antes de ensamblar o hacer ajustes en el equipo, apague el motor y quite la tapa de la bujía de encendido.
- Antes de usar el cortasetos de extensión, asegúrese siempre que el equipo se encuentre en condiciones seguras de operación.
- Nunca intente arrancar el motor si el equipo está averiado.
- Revise la operación del mecanismo de seguridad de la palanca de aceleración. La palanca de desbloqueo debe poder accionarse suave y fácilmente. Asegúrese que la palanca de desbloqueo funcione correctamente. Compruebe que los mangos estén limpios y secos, y someta a prueba el interruptor de paro para asegurar que funcione adecuadamente.

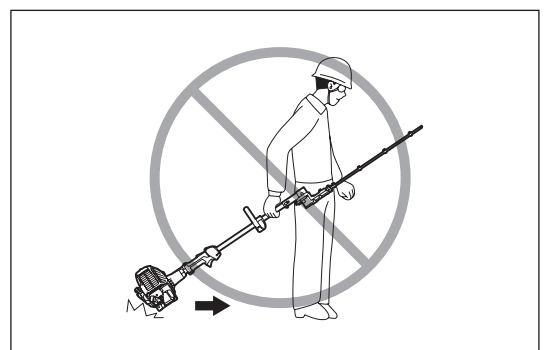
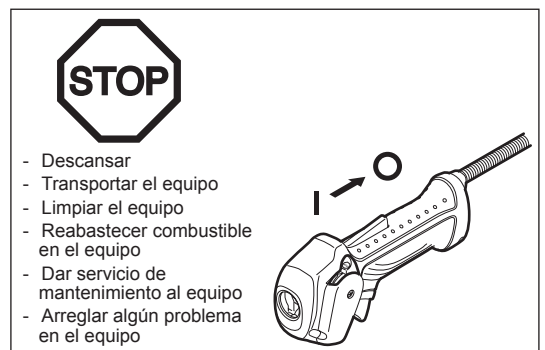
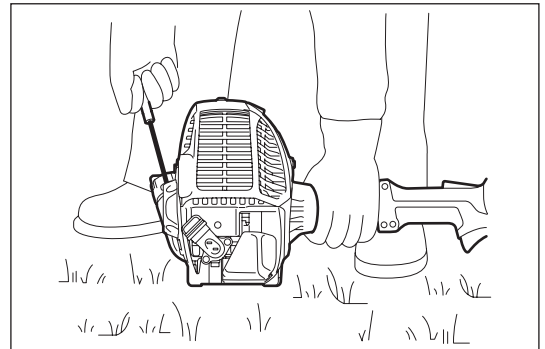
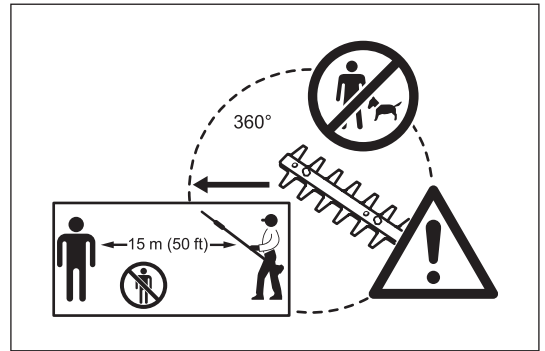
Asegúrese siempre de encender el cortasetos de extensión siguiendo las indicaciones que se incluyen en este manual de instrucciones.

## Siga las instrucciones a continuación para encender el cortasetos de extensión

- Encienda el cortasetos de extensión sólo tras haber ensamblado completamente el equipo y después de haber colocado todos los accesorios.
- Al arrancar el motor, mantenga las cuchillas alejadas de su cuerpo y de cualquier otro objeto, incluyendo el suelo. Puede que las cuchillas se muevan al arrancar el motor y que causen graves lesiones o daños al equipo y/o a la propiedad.
- Antes de arrancar el motor, asegúrese de que las cuchillas cortadoras no estén obstruidas por algún objeto ajeno, como piedras, ramas, etc.
- Pare el motor de inmediato si ocurre algún problema en éste.
- Al jalar la perilla del arrancador, sujete el equipo con firmeza contra el suelo con su mano izquierda. Nunca se pare sobre el eje de operación.
- Si las cuchillas se mueven mientras el motor está en marcha pasiva, pare el motor y haga el ajuste para bajar la velocidad del motor en marcha pasiva.
- Al operar el cortasetos de extensión, mantenga siempre una sujeción firme en ambos mangos. Con sus manos, rodee cada mango empujando los dedos alrededor de tal forma el mango quede envuelto completamente entre el pulgar y el dedo índice. Para mantener el cortasetos de extensión bajo control en todo momento, evite cambiar la forma en que esté sujetando el equipo durante la operación. Asegúrese que el mango de control esté en buenas condiciones y libre de humedad, brea, aceite o grasa.

## Asegúrese siempre de pisar el suelo con firmeza y estabilidad

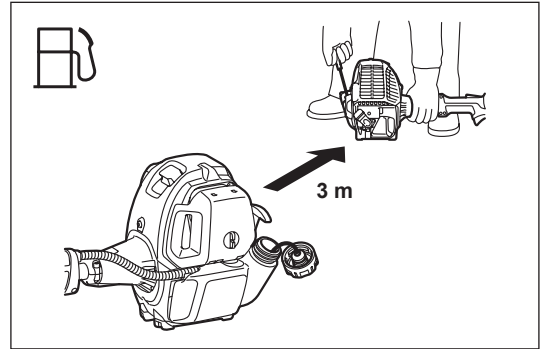
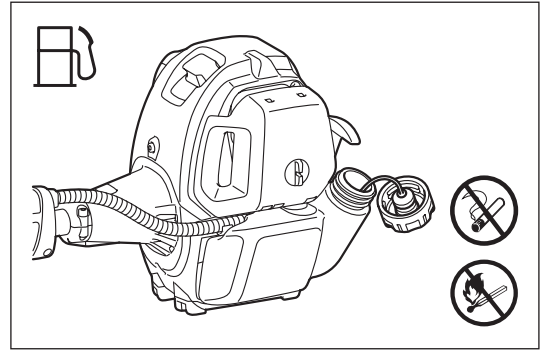
- Pare el motor de inmediato y descontinúe la operación siempre que ocurra un problema en éste o si el equipo comienza a producir algún ruido inusual.
- Las emisiones o gases de la combustión son tóxicos. Nunca use el equipo en lugares cerrados ni en túneles sin ventilación (riesgo de sofocación y envenenamiento por inhalación de gas). Tenga presente que el monóxido de carbono es un gas inoloro. Asegúrese siempre de que haya una ventilación adecuada en las áreas en donde el motor esté operando.
- Apague el motor cuando el equipo esté en reposo o cuando el cortasetos de extensión no esté siendo atendido. Coloque el equipo en un lugar seguro y asegúrese que no haya material combustible cerca.
- Nunca coloque un cortasetos de extensión caliente sobre césped seco ni material que pueda prender fuego.
- Para reducir el riesgo de incendio, mantenga el motor y el mofle libre de residuos, hojas y exceso de lubricante.
- Nunca accione el motor si el mofle presenta algún defecto en su funcionamiento.
- Apague el motor antes de transportar el equipo.
- Pare siempre el motor al:
  - Descansar
  - Transportar el equipo
  - Limpiar el equipo
  - Reabastecer combustible en el equipo
  - Dar servicio de mantenimiento al equipo
  - Arreglar algún problema en el equipo
- Al cargar el equipo, hágalo horizontalmente sujetándolo del eje. Mantenga el mofle que se encuentra caliente alejado de su cuerpo.
- Al transportar el equipo en un vehículo, asegúrese siempre de fijar el cortasetos de extensión en una posición segura para evitar fugas de combustible residual.
- Vacíe siempre el tanque de combustible antes de transportar el cortasetos de extensión en un vehículo.
- Al bajar el cortasetos de extensión de un vehículo, tenga precaución adicional de no dejar caer el equipo al suelo, pues puede que esto dañe severamente el tanque de combustible.
- Salvo en caso de una emergencia, nunca deje caer el cortasetos de extensión al suelo, con lo cual se podría dañar severamente el equipo.
- Al transportar el cortasetos de extensión, levante siempre el equipo completamente del suelo. Nunca arrastre el motor por el suelo pues con ello puede que se dañe el tanque de combustible y causar un incendio.
- Use siempre la cubierta que se incluye para la pieza cortadora para proteger y asegurar la sección de corte del cortasetos de extensión durante su transportación y almacenamiento.
- Si el equipo recibe un golpe fuerte o cae al suelo, revise su condición antes de continuar el trabajo. Revise el sistema de combustible para ver si hay fugas, así como los controles y dispositivos de seguridad para ver si hay alguna falla. Si hay cualquier daño o algo indica sospecha de averías, solicite una inspección y servicio de reparación en nuestro centro de servicio autorizado.





## Reabastecimiento de combustible

- Apague el motor antes del reabastecimiento de combustible.
- Nunca reabastezca el combustible cerca de fuego activo.
- No fume durante el reabastecimiento del combustible.
- Deje transcurrir siempre el tiempo suficiente para que el motor se enfríe antes del reabastecimiento de combustible.
- Tenga cuidado de no dejar que su piel entre en contacto con las sustancias del petróleo. Evite inhalar los vapores de la gasolina y use siempre guantes protectores al estar reabasteciendo el combustible. Cambie y limpie el equipo protector a intervalos periódicos.
- Tenga especial cuidado para evitar derrames de gasolina y evitar la contaminación del suelo (protección del medio ambiente). Si se derrama gasolina o aceite sobre el cortasetos de extensión, con un paño o trapo limpie de inmediato la superficie del cortasetos de extensión. Para evitar la combustión instantánea, deje secar los trapos húmedos lo suficiente antes de despojarlos en un contenedor adecuado y cubierto.
- Asegúrese que el combustible no tenga contacto con su vestimenta. Cambie de vestimenta inmediatamente si esta entra en contacto con combustible (peligro de incendio).
- Cierre la tapa del tanque y aprétela con firmeza. Para volver a arrancar el motor, traslade el cortasetos de extensión a un lugar al menos 3 metros alejado del punto en donde se hizo el reabastecimiento de combustible.
- Revise la tapa del tanque de forma habitual para asegurarse que esté fijamente colocada.
- Nunca realice el reabastecimiento del combustible en lugares cerrados. Los vapores del combustible se acumulan al nivel del suelo (riesgo de explosión).
- Almacene el combustible solamente en contenedores diseñados para ello y asegúrese de que se haya almacenado en un lugar fuera del alcance de los niños.



## Operación

- En el evento de alguna emergencia, apague el motor de inmediato.
- Si percibe algo que le parezca extraño (p.ej. ruido o vibración inusuales) durante la operación, apague el motor. No use el cortasetos de extensión hasta que la causa se haya reconocido y resuelto.
- Las cuchillas continúan moviéndose durante un momento breve tras haber soltado el gatillo acelerador o apagado el motor. No se apresure en hacer contacto con las cuchillas.
- No intente nunca operar el equipo con una sola mano. Puede que haya pérdida del control resultando en lesiones graves o mortales. Para reducir el riesgo de lesiones por cortaduras, mantenga sus manos y pies alejados de las cuchillas.
- Durante la operación, mantenga su mano derecha debajo de la altura del hombro. De lo contrario puede que pierda el control del equipo, resultando en lesiones.
- Durante la operación, no golpee nunca las cuchillas contra obstáculos duros como piedras u objetos metálicos. Tenga particular atención al cortar setos que se encuentren próximos o contra un cerco de alambre. Al trabajar en proximidad del suelo, asegúrese de que la arena, tierra o piedras no se introduzcan entre las cuchillas.
- Si las cuchillas entran en contacto con piedras u otros objetos duros, pare el motor de inmediato y tras haber extraído la bujía de encendido, revise las cuchillas para ver si hay daños. Reemplace las cuchillas si están dañadas.
- Nunca toque ni aproxime sus dedos a las cuchillas mientras se estén moviendo. Las cuchillas pueden cortar los dedos fácilmente. Al estar manipulando o aproximando las cuchillas, pare el motor y quite la tapa de la bujía de encendido.
- Si las ramas gruesas se atascan entre las cuchillas, pare el motor de inmediato, coloque el cortasetos de extensión en el suelo y tras haber extraído la tapa de la bujía de encendido despeje las obstrucciones. Revise si hay daños en las cuchillas antes de utilizar el equipo de nuevo.
- La aceleración del motor con las cuchillas bloqueadas incrementa la carga y dañará el motor y/o el embrague.
- Revise frecuentemente las cuchillas cortadoras durante la operación para ver si hay grietas o bordes desafilados. Antes de la inspección, apague el motor y espere a que las cuchillas se hayan detenido completamente. Reemplace las cuchillas dañadas o desafiladas de inmediato, incluso si las grietas son solamente superficiales.
- No toque la caja de cambios. La caja de cambios se calienta durante la operación.
- Tome un descanso para prevenir la pérdida del control debido a cansancio. Recomendamos tomar un descanso de 10 a 20 minutos por cada hora de trabajo.
- Antes de la operación de corte, jale la palanca de aceleración hasta alcanzar velocidad máxima.
- Durante la operación, sujete el cortasetos de extensión todo el tiempo con ambas manos.
- Use el cortasetos de extensión solamente en lugares con iluminación y visibilidad adecuadas. Tenga precaución de las áreas mojadas y resbalosas (hielo, nieve, etc.) durante la temporada invernal (riesgo de resbalones) y asegúrese siempre de pisar firmemente.
- Nunca use el cortasetos de extensión mientras se encuentre sobre una superficie muy inclinada o inestable.
- Nunca use el cortasetos de extensión mientras se encuentre en una escalera.
- Nunca trepe a los árboles para usar el cortasetos de extensión desde ahí.





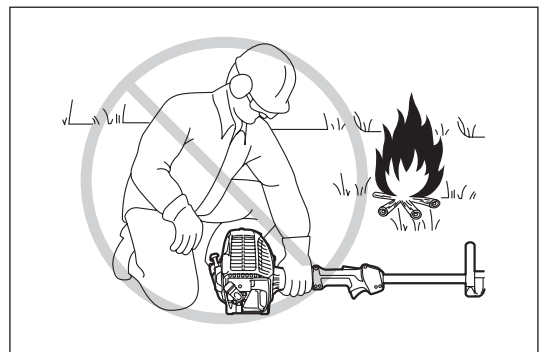
- Para evitar tambalearse o tropezones con objetos, nunca camina de reversa mientras opera el cortasetos de extensión.
- Apague siempre el motor siempre antes de limpiar o dar cualquier al equipo. Además, absténgase de cambiar piezas antes de que el motor se haya apagado y detenido completamente.
- No opere el cortasetos de extensión si la pieza cortadora está dañada o desgastada.

## Vibración

- Puede que las personas con deficiencia en su circulación sanguínea que estén expuestas a vibración excesiva sufran de lesiones en los vasos sanguíneos o el sistema nervioso. Puede que la vibración cause los siguientes síntomas generados en los dedos, manos o muñecas: entumecimiento (adormecimiento de las partes del cuerpo), sensación de hormigueo, dolor y punción, así como alteraciones de la piel o del color de ésta. ¡Acuda a su médico si experimenta cualquiera de estos síntomas!
- Para reducir el riesgo de “enfermedad de dedeo blanco”, mantenga sus manos tibias durante la operación y dé un mantenimiento adecuado a la herramienta y los accesorios.

## Instrucciones de mantenimiento

- Lleve su herramienta a que le den servicio de mantenimiento en un centro autorizado, y siempre use piezas de repuesto originales. La reparación incorrecta y el mantenimiento deficiente pueden acortar la vida útil de la herramienta y aumentar el riesgo de accidentes.
- Haga siempre todo a su alcance para evitar la contaminación y que la cantidad del ruido emitido sea la menor posible al usar el cortasetos de extensión. Ponga especial atención al ajuste correcto del carburador.
- Limpie el cortasetos de extensión de forma habitual y revise periódicamente que todas la tuercas y tornillos estén bien apretados.
- Nunca dé servicio ni almacene el cortasetos de extensión en cercanía de las chispas, llamas, etc. de algún fuego.
- Nunca enderece ni suelde las cuchillas dobladas o rotas en un intento de repararlas. Puede que fragmentos de las cuchillas se desprendan resultando en lesiones graves. Póngase en contacto con un centro de servicio autorizado MAKITA para reemplazar las piezas con repuestos originales.
- Para prevenir daños y/o lesiones adicionales, absténgase de hacer reparaciones a un cortasetos de extensión defectuoso si no está calificado para hacerlo. Para reparaciones, póngase siempre en contacto con su distribuidor o agente de servicio autorizado.



No intente modificar ni alterar el cortasetos de extensión pues esto puede que afecte la operación segura.

El servicio de mantenimiento que el usuario puede realizar se limita a las actividades que se describen en este manual de instrucciones. Cualquier otro procedimiento a ser realizado debe llevarse a cabo por un agente de servicio autorizado.

Solicite de forma periódica a un centro de servicio autorizado MAKITA que inspeccione y haga servicio de mantenimiento en el cortasetos de extensión. Use sólo piezas de repuestos originales suministradas por de MAKITA a través de centros de servicio autorizado.

El uso de herramientas y accesorios no autorizados puede que aumente el riesgo de accidentes y lesiones. MAKITA no acepta responsabilidad alguna en lo absoluto por accidentes o daños que resulten del uso de piezas y accesorios no autorizados.

## Almacenamiento

- Antes de almacenar el equipo, proceda con limpiarlo y hacer el mantenimiento de forma cabal. Coloque la cubierta de la cuchilla.
- Vacíe el tanque de combustible y siempre almacene el cortasetos de extensión en un lugar bajo llave con buena ventilación. Asegúrese que el cortasetos de extensión esté todo el tiempo fuera del alcance de lo niños.
- No recargue el equipo contra alguna pared o similar. De lo contrario, puede que el cortasetos de extensión repentinamente se caiga causando alguna lesión.

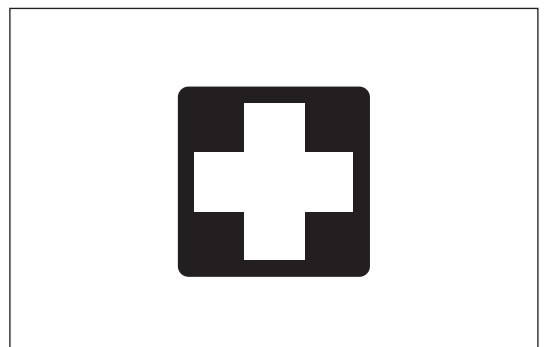
## Primeros auxilios

Como precaución en caso de accidentes, asegúrese de contar con un equipo de primeros auxilios que esté a su alcance.

Reponga cuanto antes cualquier artículo que haya usado del juego de primeros auxilios.

## Proporcione la siguiente información al momento de pedir auxilio en caso de una emergencia:

- Lugar del accidente
- Lo sucedido
- Número de personas lesionadas
- Alcance de las lesiones
- Su nombre

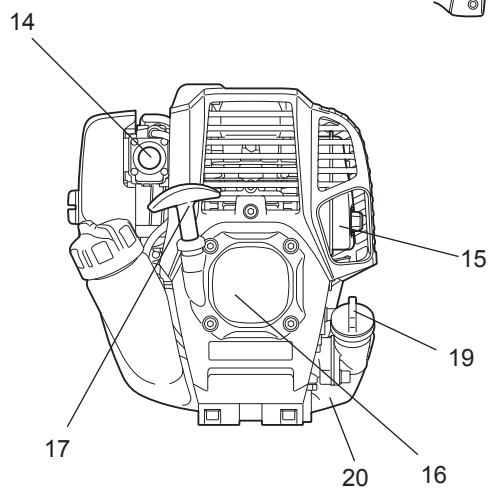
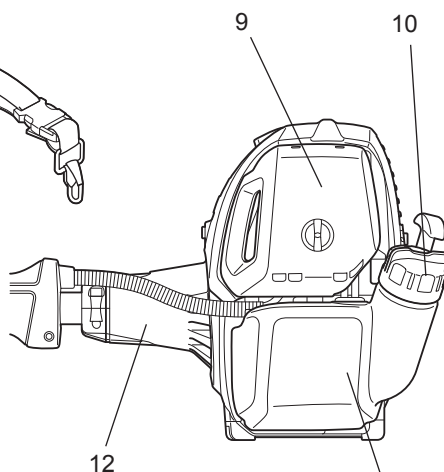
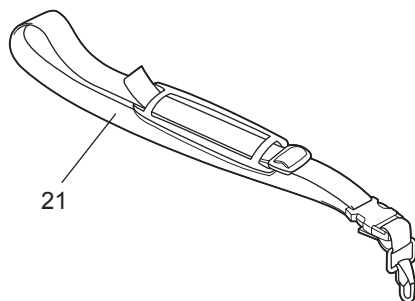
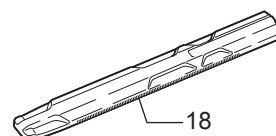
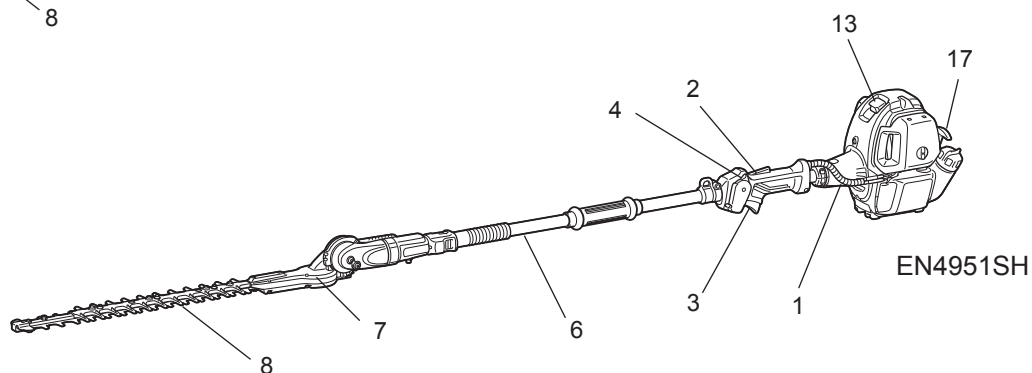
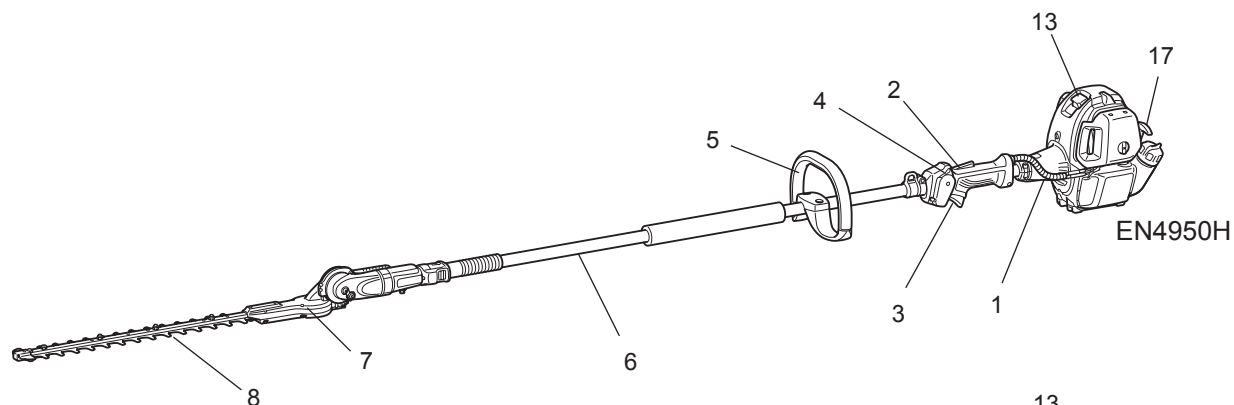


## ESPECIFICACIONES TÉCNICAS

Model	EN4950H	EN4951SH
	Mango tipo redondo	Mango recto
Dimensiones (La x An x Al)	100-3/8" x 9-1/2" x 9-1/2" (2 550 mm x 242 mm x 241 mm)	80-1/2" x 8-3/4" x 9-1/2" (2 050 mm x 221 mm x 241 mm)
Peso neto	15,21 lbs (6,9 kg)	14,55 lbs (6,6 kg)
Volumen (tanque de combustible)	36,6" cu. (0,6 L)	
Longitud de corte	19-1/4" (490 mm)	
Diámetro máximo de ramas	9/32" (7 mm)	
Pasadas de corte	4 200 /min	
Tipo de motor	Enfriado por aire, 4 tiempos, cilindro único	
Desplazamiento del motor	1,5" cu. (25,4 cm <sup>3</sup> )	
Máximo rendimiento del motor	1,03 hp a 7 000/min (0,77 kW a 7 000 min <sup>-1</sup> )	
Velocidad del motor a la velocidad máxima recomendada del eje	10 000 RPM	
Consumo de combustible	0,33 kg/h	
Consumo específico de combustible	408 g/kWh	
Velocidad en estado de marcha sin carga	3 000 RPM	
Velocidad con accionamiento del embrague	4 400 RPM	
Carburador (Carburador del diafragma)	Tipo de diafragma	
Bujía de encendido	tipo	NGK CMR4A
Separación de electrodos	1/32" (0,7 mm - 0,8 mm)	
Combustible	Gasolina para automóvil (combustible)	
Aceite para motor	Aceite clase SF de Clasificación API o superior, SAE 10W-30 (para motor de automóvil de 4 tiempos)	
Relación de cambios	1/4,78	

(Para Canadá) NOTA: Este sistema de encendido con bujía cumple con el estándar canadiense ICES-002.

## IDENTIFICACIÓN DE LAS PIEZAS



Identificación de las piezas	
1	Cable del acelerador
2	Palanca de desbloqueo
3	Palanca de aceleración
4	Interruptor
5	Mango
6	Eje
7	Caja de cambios
8	Cuchilla cortadora
9	Filtro de aire
10	Tapa del tanque de combustible
11	Tanque de combustible
12	Carcasa del embrague
13	Tapa de la bujía de encendido
14	Bomba cebadora
15	Mofle
16	Arrancador de retroimpacto
17	Perilla del arrancador
18	Cubierta de la cuchilla
19	Tapa del aceite
20	Depósito de aceite
21	Correa para hombro (accesorio opcional)

## ENSAMBLE

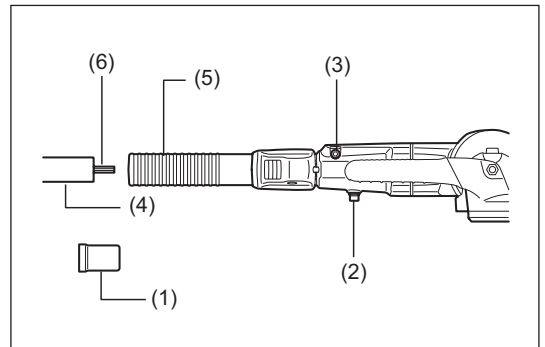
### ⚠ ADVERTENCIA:

- Asegúrese que el motor se encuentre apagado y quite la tapa de la bujía de encendido antes de ensamblar el cortasetos de extensión.
- ¡Use guantes protectores!
- Al colocar la pieza de extensión a la unidad podadora, asegure las cuchillas cortadoras usando la cubierta que se incluye con éstas.

1. Quite la tapa (1) del eje.
2. Afloje el perno M5 x 16 (2) y el perno M5 x 25 (3).
3. Inserte el eje (4) en la cubierta (5).

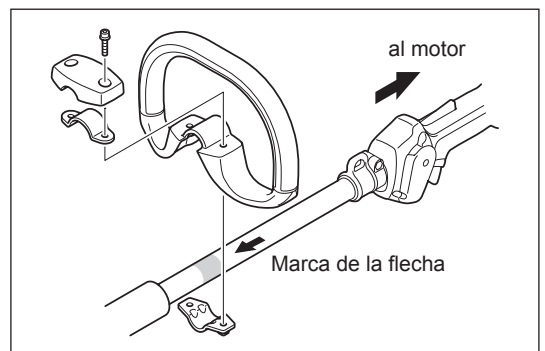
NOTA: Asegure una inserción completa del eje en la cubierta (aproximadamente 237 mm/ 9-3/8").  
Si tiene dificultades al insertar el eje, gire manualmente el eje propulsor (6) un poco e intente de nuevo.

4. Asegúrese que el eje quede insertado correctamente y luego apriete el perno M5 x 16 y el perno M5 x 25.



### COLOCACIÓN DEL MANGO (para EN4950H)

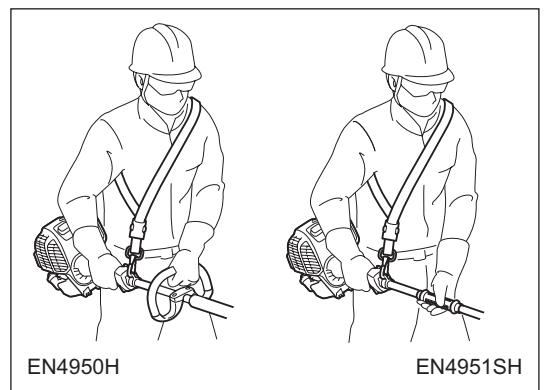
- Fije el mango redondo sobre el eje como se ilustra.
- Para mantener una distancia apropiada entre las empuñaduras, ajuste el mango redondo adelante de las flechas.



## CORREA PARA HOMBRO (accesorio opcional)

### Cómo colocarse la correa para hombro

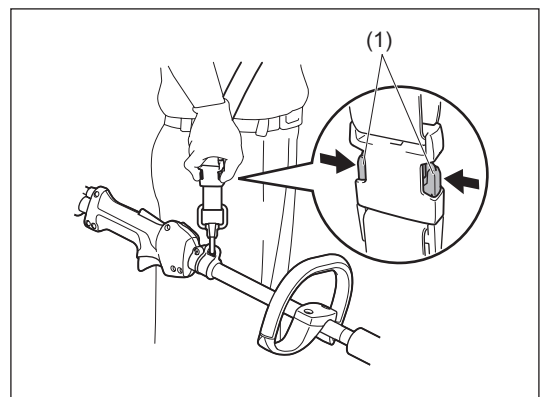
- Colóquese la correa para hombro por encima del hombro izquierdo.
- Mantenga la unidad del cortasetos de extensión sobre el costado derecho de su cuerpo.
- Coloque la correa al colgador incluido en el cortasetos de extensión y ajuste la longitud de la correa para conseguir una posición cómoda de trabajo.



### Desprendimiento

- En una emergencia, presione las muescas (1) a ambos lados para que el equipo pueda desprenderse de usted.  
Tenga extremo cuidado en mantener control sobre el equipo durante este momento. No deje que el equipo se desvíe hacia usted ni hacia otra persona alrededor.

ADVERTENCIA: No tener un completo control del equipo puede resultar en serias lesiones al cuerpo o incluso la MUERTE.



## ANTES DE INICIAR LA OPERACIÓN

### Inspeccione y resuministre el aceite del motor

- Realice el siguiente procedimiento, con el motor frío.
  - Ajuste el nivel del motor, quite la tapa del aceite (Fig. 1) y verifique si el aceite se encuentra o no dentro del rango entre las marcas de los límites superior e inferior del conducto del aceite (Fig. 2).
  - Llene con aceite hasta la marca del límite superior en caso de que no haya suficiente aceite (cuando el nivel de aceite se aproxime a la marca del límite inferior) (Fig. 3).
  - El área alrededor de las marcas externas es transparente, por lo que es posible verificar la cantidad de aceite que hay adentro sin tener que quitar la tapa del aceite. Sin embargo, cuando el conducto del aceite se ensucia demasiado, puede que no sea posible tener visibilidad y el nivel de aceite tendrá que verificarse contra la sección escalonada por dentro del conducto del aceite.
  - Para referencia, el tiempo resuministros de aceite es de aproximadamente 10 h (cada 10 resuministros).
- Si el aceite cambia de color o se mezcla con partículas de polvo o mugre, reemplace con aceite nuevo (Para el intervalo y método de reemplazo, consulte P65).

**Aceite recomendado:** Aceite SAE 10W-30 de Clasificación API, clase SF o superior (para motor de automóvil de 4 tiempos)

**Volumen de aceite:** Aprox. 0,08 L

NOTA: Si no se da un servicio de mantenimiento adecuado al motor, puede que el aceite rodee el motor y que éste sea resuministrado en exceso.  
Si el aceite es suministrado por encima del límite, puede que el aceite esté contaminado o que se prenda llama con el humo blanco.

### Punto 1 en el reemplazo del aceite: "Tapa del aceite"

- Elimine el polvo o tierra cerca del puerto de resuministro de aceite y quite la tapa del aceite.
- Mantenga la tapa del aceite que ha retirado libre de polvo, tierra o arena. De lo contrario, puede que cualquier partícula de polvo o tierra adherida a la tapa del aceite cause una circulación irregular o que desgaste las piezas del motor, lo cual resultaría en problemas.

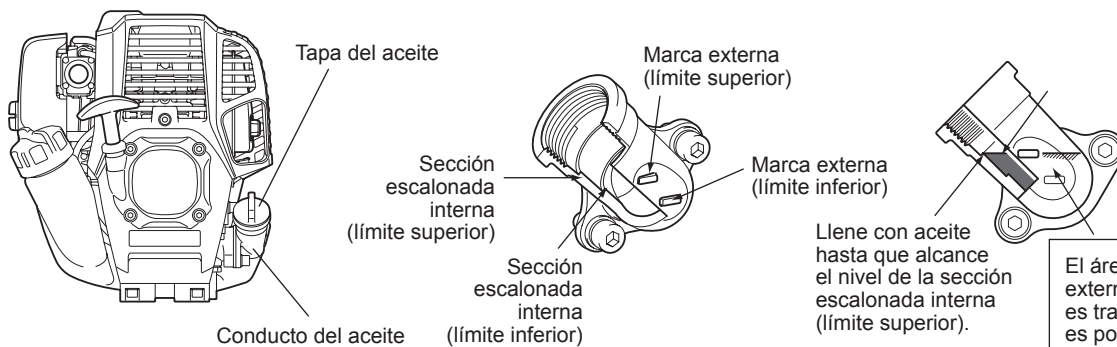
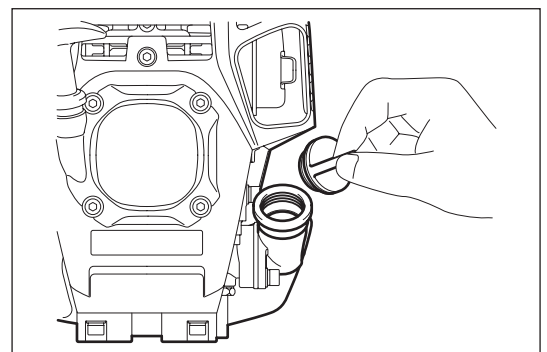


Fig. 1

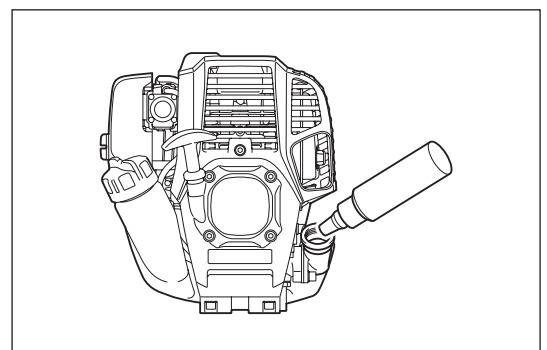
Fig. 2 Conducto del aceite

Fig. 3

(1) Mantenga el nivel de aceite y retire la tapa del aceite.



(2) Llene con aceite hasta la marca del límite superior (ver Fig. 3).  
Use la botella de aceite al suministrar el aceite.



(3) Apriete firmemente la tapa del aceite. Puede que un apretado insuficiente cause una fuga de aceite.

#### Nota

- No cambie el aceite estando el motor en una posición inclinada.
- Suministrar aceite con el motor inclinado resultará en un suministro excesivo lo cual causará contaminación de aceite y/o humo blanco.

#### Punto 2 en el cambio de aceite: "Si hay derrame de aceite"

- Si el aceite se derrama entre el tanque de combustible y la unidad principal, el aceite se absorbe a través del puerto de la rejilla de ventilación, con lo cual se contaminará el motor. Asegúrese de limpiar con un paño el derrame antes de iniciar la operación.

## REABASTECIMIENTO DE COMBUSTIBLE

### Manejo del combustible

El manejo de combustible requiere del máximo cuidado. Puede que el combustible contenga sustancias similares a los disolventes. El reabastecimiento de combustible debe realizarse en un lugar con suficiente ventilación o al aire libre. Nunca inhale los vapores del combustible y manténgalo alejado de usted. Si su piel llega a tener contacto con el combustible en repetidas o prolongadas ocasiones, la piel se reseca con lo cual puede que se desarrolle una alergia o enfermedad de la piel. Si los ojos llegan a tener contacto con el combustible, lávelos con agua fresca. Si persisten las molestias con los ojos, consulte a su médico.

### Periodo de almacenamiento del combustible

El combustible deberá usarse dentro de un periodo de 4 semanas, aún cuando éste sea almacenado en un contenedor especial en un lugar bien ventilado sin exposición al sol.

De otra manera, puede que el combustible se deteriore en un día.

### ALMACENAMIENTO DEL EQUIPO Y RESUMINISTRO DEL TANQUE

- Conserve el equipo y tanque en un lugar fresco y sin exposición directa a la luz del sol.
- Nunca guarde combustible en un automóvil.

### Combustible

El motor es de cuatro tiempos. Asegúrese de usar gasolina sin plomo para automóvil con nivel de octanaje 87 o superior  $((R+M)/2)$ . Puede que contenga no más de 10% de alcohol (E-10).

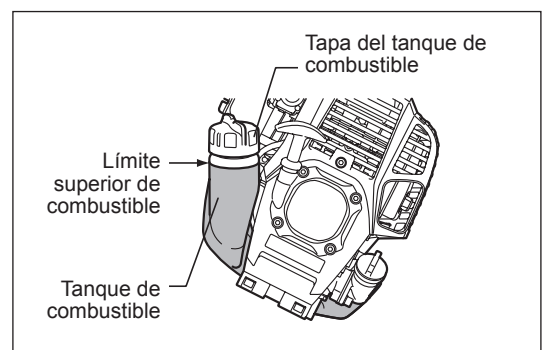
### Puntos para el combustible

- Nunca use gasolina mezclada que contenga aceite para motor. De lo contrario, se producirá un exceso en la acumulación de carbono o se ocasionarán problemas mecánicos.
- El uso de aceite deteriorado causará un arranque irregular.

### Reabastecimiento de combustible

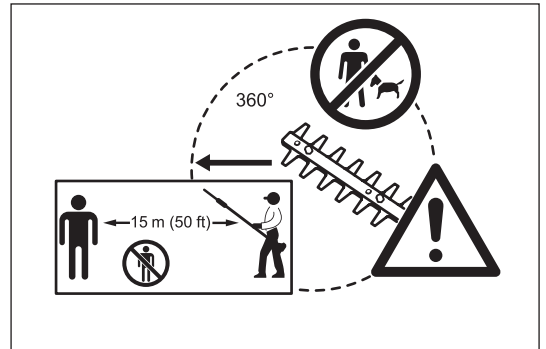
#### ADVERTENCIA: EL USO DE SUSTANCIAS O MATERIAL INFLAMABLE QUEDA ESTRICTAMENTE PROHIBIDO

- Afloje un poco la tapa del tanque para liberar la presión del tanque.
  - Luego quite la tapa del tanque y reabastezca el combustible, eliminando el aire al inclinar el tanque de combustible de tal forma que el puerto para resuministro quede orientado hacia arriba (EVITE llenar hasta el tope del tanque).
  - Limpie bien el borde y alrededor de la tapa del tanque para prevenir que partículas ajenas se introduzcan al tanque de combustible.
  - Tras reabastecimiento de combustible, fije con firmeza la tapa del tanque.
- 
- Si observa cualquier desperfecto o daño en la tapa del tanque, reemplácela.
  - Con el transcurso del tiempo, la tapa del tanque se desgasta. Reemplácela cada dos a tres años.



## PRECAUCIONES ANTES DE ARRANCAR EL MOTOR

- Asegure una zona de seguridad de 15 metros de diámetro alrededor del área de trabajo. Asegúrese de que toda persona (en particular niños), así como animales, permanezcan fuera de esta zona.
- Antes de usar el cortasetos de extensión, asegúrese que el equipo se encuentre en condiciones seguras de operación. Asegúrese que las cuchillas cortadoras no estén dañadas y compruebe el accionamiento fácil de la palanca de aceleración. Asegúrese que las cuchillas cortadoras no estén en movimiento cuando el motor del equipo esté en marcha pasiva. Si el equipo no está funcionando de forma normal, póngase en contacto con su distribuidor para los ajustes necesarios. Asegúrese que los mangos estén limpios y secos, y compruebe que el interruptor I-O funcione correctamente. Arranque el motor sólo de acuerdo a las instrucciones que se indican en este manual. No emplee ningún otro método para encender el cortasetos de extensión.
- Arranque el motor del cortasetos de extensión sólo tras haber leído y comprendido completamente las instrucciones. Nunca intente encender un cortasetos de extensión que no se encuentre completamente ensamblado. De lo contrario, puede que esto resulte en lesiones graves.
- Antes de arrancar el motor, asegúrese siempre que las cuchillas cortadoras no estén obstruidas por piedras, ramas o cualquier otro objeto duro.
- Revise el área de trabajo para despejar cables, cuerdas, vidrio o cualquier objeto ajeno que podría enredarse entre las cuchillas cortadoras.
- Descarga eléctrica: Esté atento de cables eléctricos alrededor. Revise toda el área de trabajo antes de empezar para notar la presencia de cableado eléctrico, así como de cercos electrificados.



## PUNTOS EN LA OPERACIÓN Y CÓMO DETENER LA OPERACIÓN

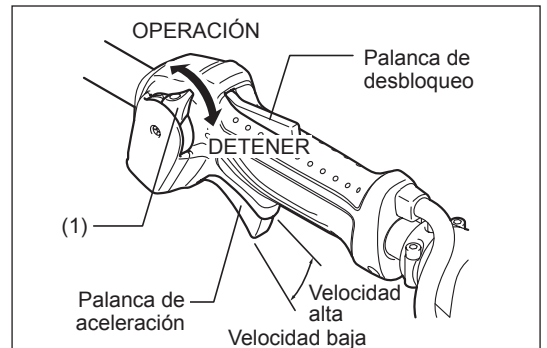
¡Siga las normas correspondientes para la prevención de accidentes!

### ARRANQUE DEL MOTOR

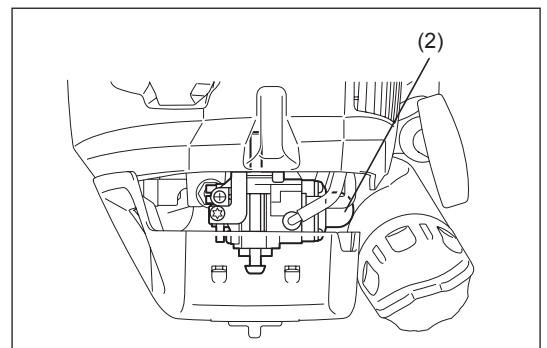
Aléjese al menos 3 metros del lugar en donde realizó el reabastecimiento de combustible. Coloque el cortasetos de extensión sobre una parte despejada del suelo cuidando que las cuchillas cortadoras no hagan contacto con el suelo ni con ningún otro objeto.

#### A: Arranque en frío

- 1) Coloque este equipo sobre una superficie plana.
- 2) Ajuste el interruptor I-O (1) en modo de OPERACIÓN.



- 3) Bomba cebadora  
Continúe bombeando el cebador (2) hasta que el combustible ingrese a la bomba (en general, el combustible ingresa a la bomba tras 7 a 10 bombeos). Si la bomba cebadora es bombeada en exceso, se retornará un exceso de combustible al tanque.

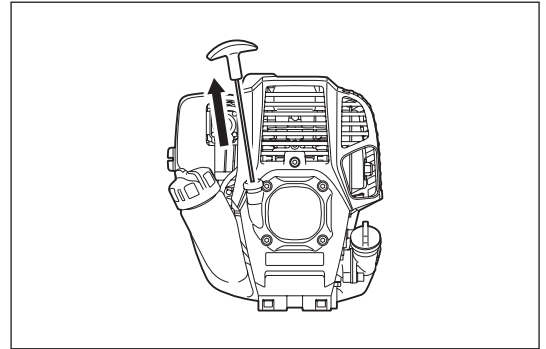




- 4) Arrancador de retroimpacto  
Jale la perilla del arrancador suavemente hasta el primer indicio de resistencia (punto de compresión). Luego, regrese la perilla y vuelva a jalarla con fuerza. Nunca jale el cordón hasta su máxima extensión. Una vez que se jale la perilla de arranque, no la suelte de inmediato; continúe sujetándola mientras la regresa a su posición original.

- 5) Operación de calentamiento  
Continúe la operación de calentamiento de 2 a 3 minutos.

NOTA: En caso de una entrada excesiva de combustible, retire la bujía de encendido y jale el mango del arrancador lentamente para eliminar el exceso de combustible. También, seque la sección del electrodo de la bujía de encendido.



#### **B: Arranque tras la operación de calentamiento**

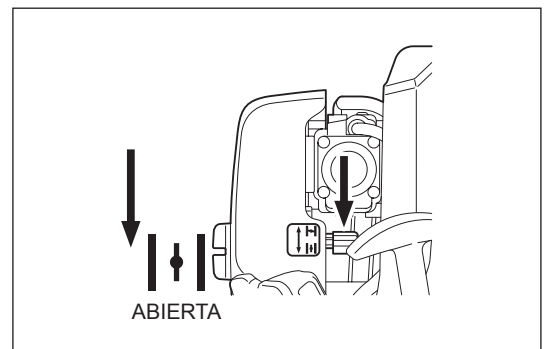
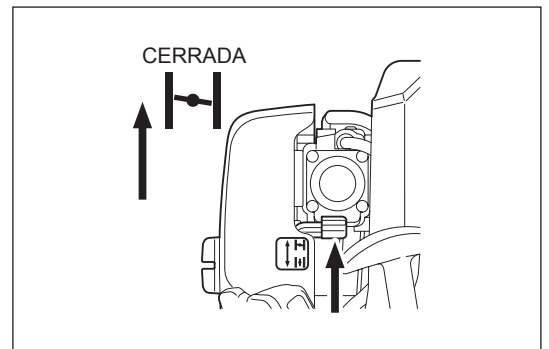
- 1) Bombee repetidamente el cebador de forma suave.
- 2) Mantenga la palanca de aceleración en estado pasivo.
- 3) Jale el arrancador de retroimpacto con fuerza.
- 4) Si se dificulta arrancar el motor, abra el acelerador alrededor de 1/3. Esté atento de las cuchillas cortadoras las cuales puede que se activen.

**En ocasiones cuando se dificulte arrancar el motor, como durante el invierno, opere la palanca dosificadora con el siguiente procedimiento al arrancar el motor.**

- Tras ejecutar los pasos de arranque del 1) al 3), ajuste la palanca dosificadora a la posición CERRADA.
- Ejecute el paso 4) de arranque y eche a andar el motor.
- Una vez que el motor arranque, ajuste la palanca dosificadora en la posición ABIERTA.
- Ejecute el paso 5) de arranque y complete la fase de calentamiento del motor.

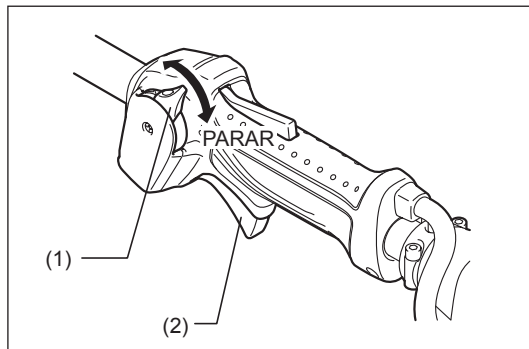
**PRECAUCIÓN:** Si se genera un sonido explosivo y el motor se detiene, o si el motor se detiene justo después de arrancar antes de haber operado la palanca dosificadora, retorne la palanca dosificadora a la posición ABIERTA, y jale la perilla del arrancador algunas cuantas veces para echar de nuevo el motor.

**PRECAUCIÓN:** Si la palanca dosificadora se deja en la posición CERRADA, y la perilla del arrancador apenas se jala repetidamente, se suministrará demasiado combustible que dificultará el arranque del motor.



## PARO DE LA OPERACIÓN

- 1) Libere la palanca de aceleración (2) por completo, y al desacelerarse la velocidad del motor, ajuste el interruptor I-O (1) a la posición PARAR y el motor parará.
- 2) Tenga en cuenta que puede que la cabeza cortadora no se detenga inmediatamente y permita que se desacelere por completo.

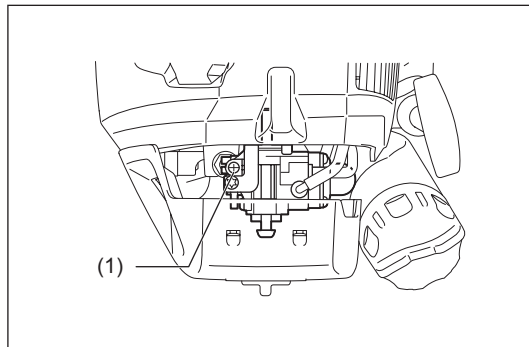


## AJUSTE DE LA ROTACIÓN DE BAJA VELOCIDAD (ESTADO PASIVO)

Cuando sea necesario, ajuste la rotación de baja velocidad (estado pasivo) mediante el tornillo de ajuste del carburador (1).

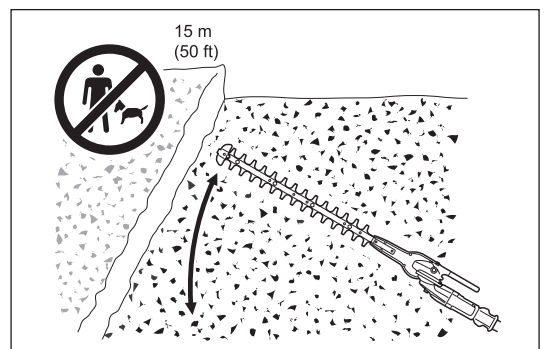
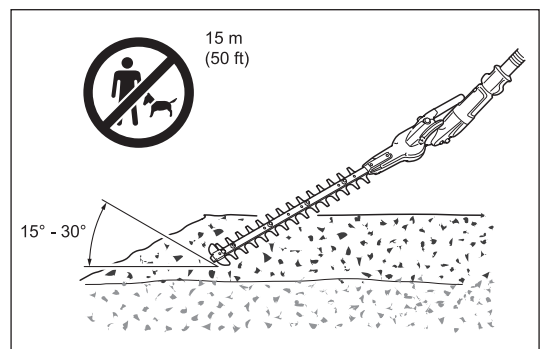
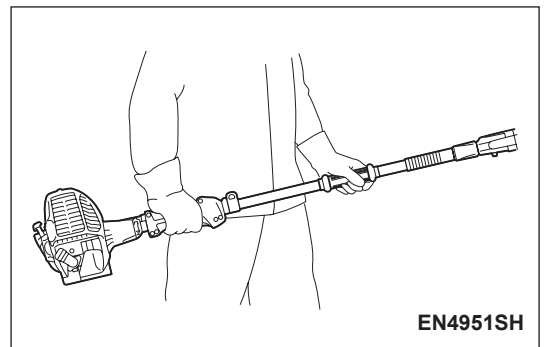
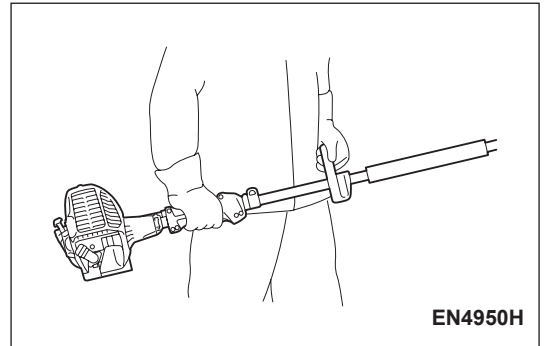
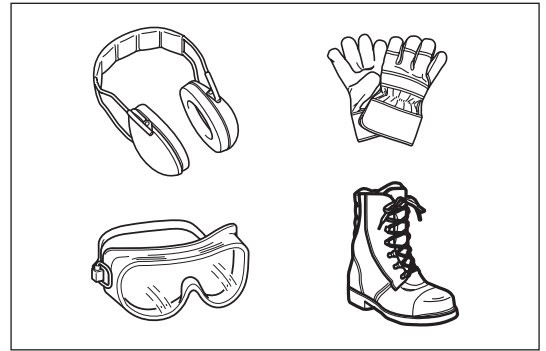
## REVISIÓN DE LA ROTACIÓN DE BAJA VELOCIDAD

- Ajuste la rotación de baja velocidad a 3 000 r/min.  
En caso de que sea necesario cambiar la velocidad de rotación, regule mediante el tornillo de ajuste con un destornillador Phillips (1).
- Gire el tornillo de ajuste a la derecha y la velocidad para incrementar la velocidad del motor. Gire el tornillo de ajuste a la izquierda para reducir la velocidad del motor.
- Por lo general el carburador viene con preajuste de fábrica. De ser necesario reajustarlo, póngase en contacto con un Centro de Servicio Autorizado.



## USO DEL CORTASETOS DE EXTENSIÓN

- No toque la parte de la cuchilla cortadora del cortasetos de extensión durante la operación ni cuando el motor esté activo.
- Tengo especial cuidado de no inhalar los gases de escape al estar trabajando con el cortasetos de extensión. Nunca use el cortasetos de extensión en lugares cerrados o con poca ventilación (riesgo de sofocación y envenenamiento por inhalación de gas). Tenga en cuenta que el monóxido de carbono es un gas inoloro, es decir, no puede ser detectado con el olfato.
- Use siempre equipo protector adecuado antes de comenzar a trabajar con el cortasetos de extensión.
- Pare el motor inmediatamente cuando el mofle deje de funcionar correctamente.
- Use el cortasetos de extensión sólo en lugares con iluminación y visibilidad adecuadas.
- No use el cortasetos de extensión en lugares oscuros o con neblina. Tenga precaución de las áreas mojadas y resbalosas (hielo, nieve, etc.) durante la temporada invernal (riesgo de resbalones) y asegúrese siempre de pisar firmemente.
- Nunca use el cortasetos de extensión mientras se encuentre sobre una superficie muy inclinada o inestable.
- Nunca use el cortasetos de extensión mientras se encuentre en una escalera.
- Nunca trepe a los árboles para usar el cortasetos de extensión desde ahí.
- Revise el área de trabajo para despejar cables, cuerdas, vidrio o cualquier objeto ajeno que podría enredarse entre las cuchillas cortadoras.
- Asegúrese que las cuchillas cortadoras alcancen gran velocidad antes de comenzar la operación de corte.
- Sujete siempre el cortasetos de extensión con ambas manos y mantenga una sujeción firme al trabajar con el equipo.
- Para asegurar un control óptimo del cortasetos de extensión, empuñe sus manos por completo alrededor de los mangos (use sus pulgares para empuñar y aplicar presión contraria al resto de sus dedos) y sujete firmemente los mangos.
- Note que las cuchillas cortadoras permanecerán en movimiento por hasta dos segundos tras haber liberado la palanca de aceleración.
- No realice operaciones de corte con el cortasetos de extensión a baja velocidad.
- La velocidad de las cuchillas cortadoras no puede ajustarse adecuadamente con la palanca de aceleración durante una baja velocidad del motor.
- Para podar la superficie superior de un seto, alinee primero las cuchillas cortadoras a un ángulo de entre 15° y 30° hacia la dirección de corte, y mantenga el cortasetos de extensión en una posición horizontal. Luego comience a podar el seto mediante un movimiento oscilatorio, como intentando dibujar semicírculos con el eje del cortasetos.
- Para podar los lados de un seto, alinee las cuchillas de forma paralela a la superficie a ser cortada y comience a podar con movimientos semicirculares de abajo hacia arriba.
- Ponga atención especial al podar un seto que se encuentre próximo o contra un cerco de alambre.
- Evite el contacto de las cuchillas cortadoras con objetos duros como los cercos de alambre, piedras o el suelo. Esto podría causar que grietas, astillas o roturas en las cuchillas.
- No use el cortasetos de extensión durante periodos prolongados. Como regla general, por cada 50 minutos de operaciones deberá tomar un descanso de 10 a 20 minutos.
- Si las cuchillas cortadoras entran en contacto con piedras u otros objetos duros, pare el motor inmediatamente y revise si hay daños en las cuchillas. Reemplace las cuchillas si están dañadas.
- Pare el motor de inmediato si el cortasetos de extensión desarrolla un problema durante la operación (ruidos extraños, vibración, etc.). No vuelva a utilizar el equipo hasta que se haya identificado y arreglado el problema.
- Haga siempre todo a su alcance para evitar la contaminación y que la cantidad del ruido emitido sea la menor posible al usar el cortasetos de extensión. Ponga especial atención al ajuste correcto del carburador.
- Si se atascan ramas gruesas entre las cuchillas cortadoras, pare el motor inmediatamente, coloque el equipo en el suelo y despeje la obstrucción. Revise si hay daños en las cuchillas antes de utilizar el equipo de nuevo.



## Ajuste del ángulo de corte

### Advertencia:

- No opera la herramienta con una unidad cortadora holgada e inestable.

Puede ajustar el ángulo de corte hacia arriba hasta 45° y hacia abajo hasta 90°.

1. Pare el motor del cortasetos de extensión de y coloque el equipo sobre el suelo.
2. Para ajustar el ángulo de la unidad cortadora, sujete el mango (**A**) en la unidad cortadora con una mano y sujete el bloqueo del ángulo (**B**) con la otra mano como se muestra en la ilustración.
3. Jale ligeramente el bloqueo del ángulo y cambie el ángulo de la unidad cortadora. Tras ajustar el ángulo, retorne el bloqueo del ángulo suavemente.

### Nota:

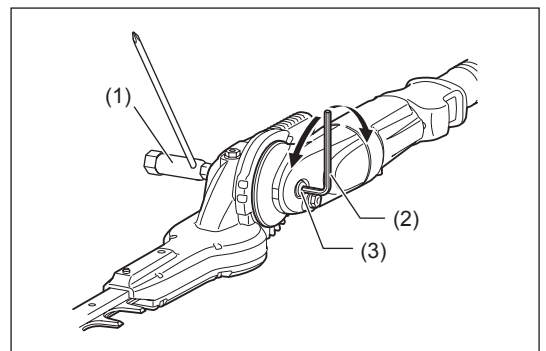
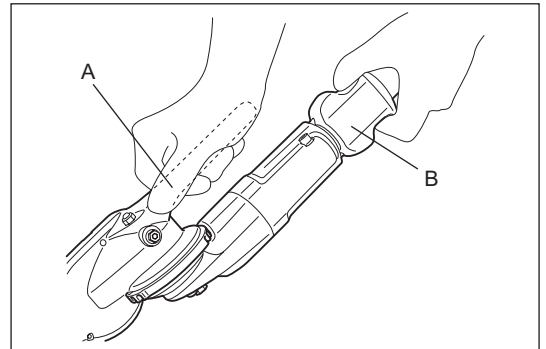
- La unidad cortadora se fija solamente a ciertos ángulos a lo largo de la ranura en la unidad. Asegúrese que la unidad cortadora encaje adecuadamente. Si el ángulo no es adecuado, el embrague se corta y la herramienta no opera.
- No ajuste la unidad cortadora mientras el cortasetos de extensión se encuentre en posición vertical o erguida.
- Mueva el interruptor I-O a la posición de apagado "O" y coloque el cortasetos de extensión de forma plana sobre el suelo para ajustar el ángulo de corte.
- Fije siempre las cuchillas con la cubierta de cuchilla incluida antes de realizar el ajuste del ángulo de corte.

En caso de que la unidad cortadora se suelte, el perno (el eje de ajuste del ángulo) requerirá apretarse.

1. Coloque la llave de tubo (1) y la llave hexagonal (2) en el perno (3).
2. Ajuste el nivel de apriete de la unidad cortadora al girar la llave hexagonal, y fije el perno al girar la llave de tubo.

### Nota:

- No fije la unidad cortadora demasiado. El ángulo de la unidad cortadora no puede cambiarse en caso de quedar demasiado apretado.



## MANTENIMIENTO

- Antes de realizar cualquier servicio de mantenimiento sobre el cortasetos de extensión (limpieza de las cuchillas, etc.), asegúrese de parar el motor y espere hasta que éste se haya enfriado. Como una medida adicional de seguridad, también quite la tapa de la bujía de encendido.
- No intente enderezar cuchillas dobladas, así como tampoco soldar las cuchillas rotas. Reemplace siempre las cuchillas dañadas.
- Pare el motor durante intervalos habituales para revisar daños posibles en las cuchillas cortadoras (haga la prueba de resonancia por golpeo para detectar grietas delgadas difíciles de ver). Asegúrese siempre que los dientes de la cuchilla estén bien afilados.
- Limpie el cortasetos de extensión de forma habitual. Durante la limpieza, compruebe también que todos los pernos, tuercas y tornillos se encuentren bien apretados.
- Para reducir el riesgo de incendio, nunca dé servicio al cortasetos de extensión ni lo almacene en proximidad de fuego activo.
- Use siempre guantes protectores que sean resistentes al manipular las cuchillas cortadoras.
- Póngase en contacto con su distribuidor para cuchillas cortadoras de repuesto.
- Nunca use gasolina, bencina, diluyentes (tíner), alcohol o alguna sustancia similar para realizar la limpieza. El uso de estas sustancias podría generar decoloraciones, deformaciones o grietas.

### Afilado de las cuchillas

Si las cuchillas cortadoras se han desafilado o si el rendimiento en el corte es menor, lleve las cuchillas a que sean afiladas a un agente de servicio autorizado.

### Ajuste del despeje de la cuchilla

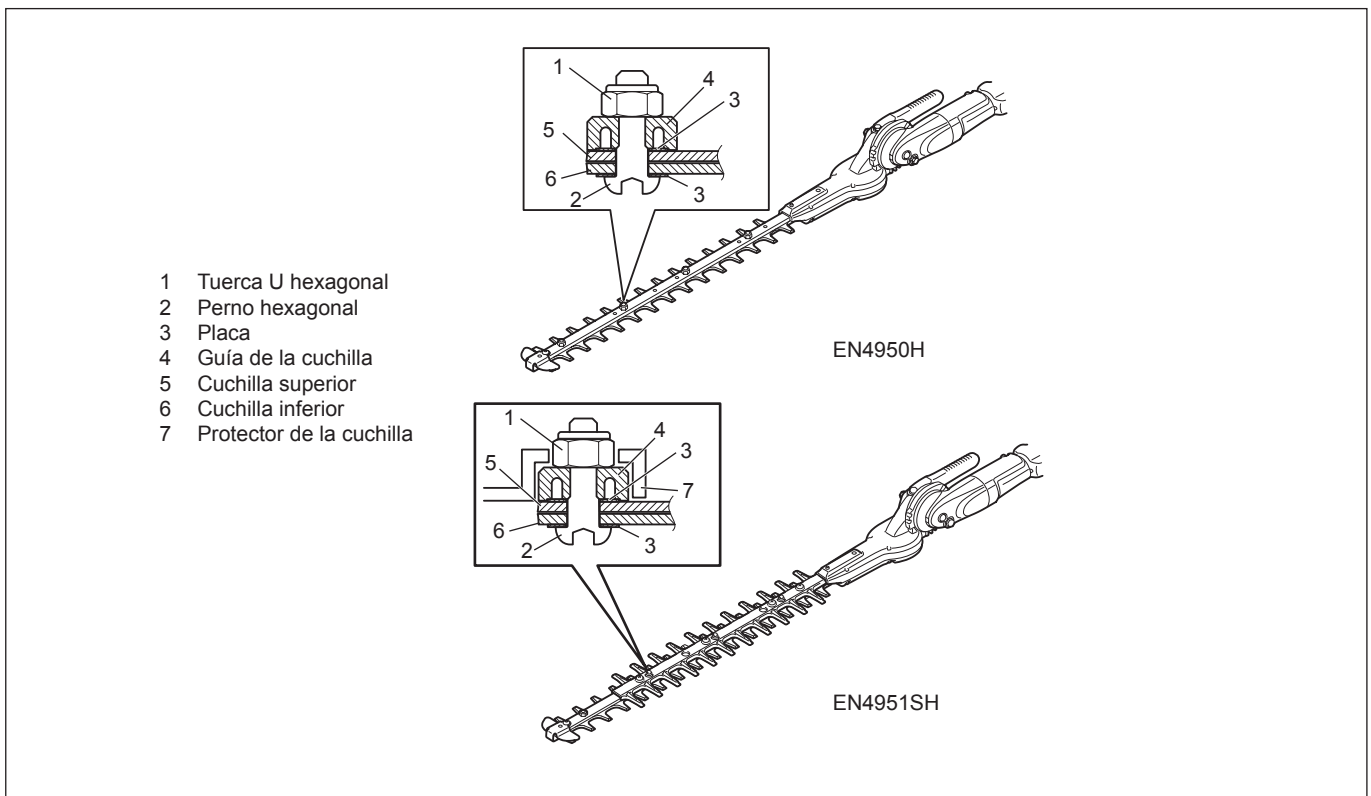
Las cuchillas superior e inferior se desgastan gradualmente con el uso. Si no puede obtener un corte limpio a pesar de que las cuchillas están lo suficientemente afiladas, ajuste el despeje como se indica a continuación.

El nivel de apriete del perno hexagonal determina la separación de las cuchillas. La tuerca fija el perno hexagonal con cierto nivel de apriete. Una separación muy holgada genera un corte desafilado, mientras que una separación muy ajustada genera calor innecesario ocasionando que las cuchillas se desgasten más rápido.

1. Afloje la tuerca (1) con una llave combinada o de boca abierta.
2. Apriete ligeramente el perno hexagonal (2) con una llave hexagonal hasta que se detenga. Luego, desatornille entre un cuarto y medio giro hasta obtener el nivel de separación necesario.
3. Apriete la tuerca (1), sujetando el perno hexagonal (2).
4. Aplique aceite ligeramente sobre la superficie de fricción de las cuchillas.
5. Encienda el motor, activando y desactivando la palanca de aceleración durante un minuto.
6. Apague el motor y toque la superficie de las cuchillas. Si no están demasiado calientes al tacto, ha realizado el ajuste adecuado. Si están demasiado calientes, desenrosque el perno hexagonal (2) un poco y repita los pasos 5 a 6.

NOTA: Antes de hacer el ajuste, apague el motor y espere hasta que las cuchillas se hayan detenido.

Las cuchillas cuentan con una ranura alrededor del perno hexagonal (2). En caso de que haya polvo en el extremo de cualquiera de las ranuras, limpie.

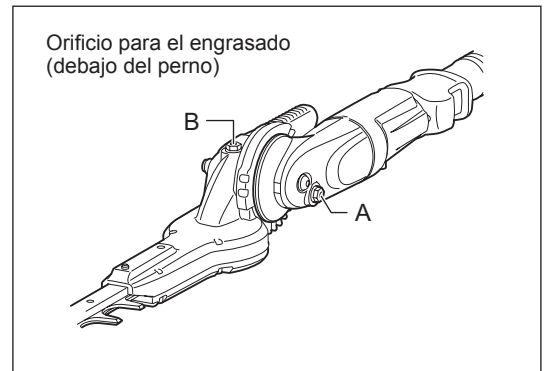


## Aplicación de grasa y lubricante

**Importante:** Asegúrese que la superficie de la caja de cambios se haya enfriado por completo antes de aplicar el lubricante.

- La caja de cambios del cortasetos de extensión deberá ser engrasada cada 25 horas de operación. El orificio para el engrasado se encuentra debajo del perno. Quite el perno para lubricar. Añada aproximadamente 3 g (4 cc) de lubricante al punto A de la caja de cambios y 5 g (7 cc) de lubricante al punto B respectivamente a través del orificio para el engrasado. Regrese el perno a su lugar tras la lubricación. Tras hacer el suministro de la cantidad correcta de lubricante, saldrá un poco de lubricante por la base de la cuchilla durante el primer uso.

**PRECAUCIÓN:** Tenga en cuenta los intervalos de engrasado y la cantidad de grasa a ser aplicada. Puede que las partes mecánicas del cortasetos de extensión se dañen si no se aplica grasa en los intervalos establecidos o si se aplica una cantidad insuficiente.



## Inspección y mantenimiento diarios

Para asegurar una extensa vida útil de su cortasetos de extensión, realice diariamente las siguientes actividades de inspección y mantenimiento.

- Antes de usar:
  - Asegúrese de revisar si hay piezas flojas o faltantes antes de iniciar la operación. Ponga especial atención de la pieza cortadora y asegúrese de que los tornillos de fijación de la chuchilla cortadora se encuentren bien apretados.
  - Revise para ver si hay congestión en los conductos de aire y rendijas de ventilación del cilindro antes de iniciar la operación. Limpie en caso de ser necesario.
- Después de usar:
  - Limpie el cortasetos de extensión externamente e inspeccione para ver si hay daños.
  - Limpie el filtro del aire. Limpie el filtro varias veces al día en caso de trabajar en condiciones con demasiado polvo.
  - Revise para ver si hay daños en las cuchillas cortadoras. Asegúrese que las cuchillas se encuentren fijamente instaladas.
  - Si las cuchillas cortadoras aún continúan activándose en operación pasiva tras el ajuste, acuda a su agente de servicio autorizado más cercano.

## REEMPLAZO DEL ACEITE DEL MOTOR

El aceite deteriorado puede acortar la vida útil de las piezas deslizantes y giratorias en gran medida. Asegúrese de verificar el periodo y cantidad de aceite a ser reemplazado.



**PELIGRO:** En general, el motor de la unidad principal y el aceite del motor permanecen calientes tras haber apagado el motor. En el reemplazo de aceite, asegúrese que el motor de la unidad principal y el aceite del motor se haya enfriado lo suficiente. De lo contrario, puede que quede riesgo de quemaduras. Permita el tiempo suficiente tras haber apagado el motor para que el aceite de éste regrese al tanque y así tener una lectura precisa del nivel indicador del aceite.

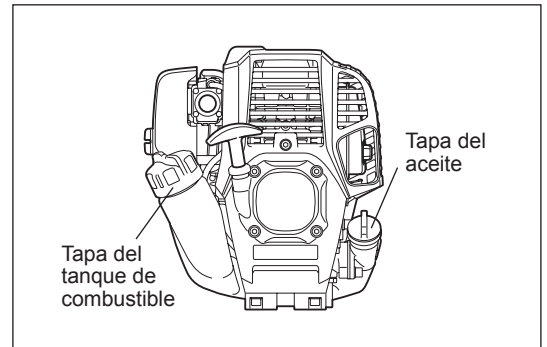
**NOTA:** Si el aceite es suministrado por encima del límite, puede que éste se ensucie o que se prenda en llamas con el humo blanco.

**Intervalo de cambio:** Tras las primeras 20 horas de operación, seguido por cada 50 horas de operación

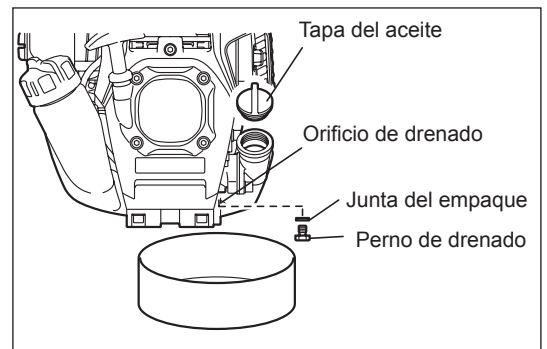
**Aceite recomendado:** Aceite SAE 10W-30 de Clasificación API, clase SF o superior (para motor de automóvil de 4 tiempos)

En el reemplazo, realice el siguiente procedimiento.

- 1) Asegúrese que la tapa del tanque de combustible esté apretada firmemente.
- 2) Coloque un contenedor grande (cazuela, etc.) bajo el orificio de drenado.

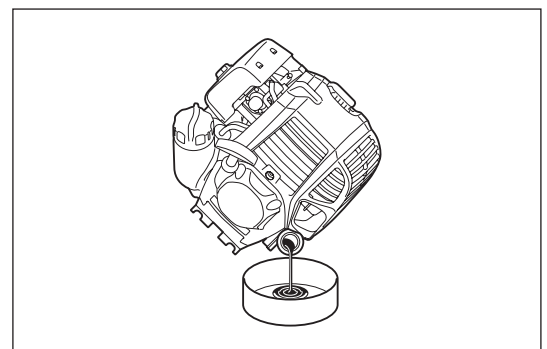


- 3) Quite el perno de drenado y luego la tapa del aceite para drenar el aceite desde el orificio de drenado. En este momento, asegúrese de no extraviar la junta del empaque del perno, ni de ensuciar cualquiera de los componentes que se quitaron.
- 4) Una vez que se haya drenado todo el aceite, vuelva a colocar la junta del empaque con el perno de drenado y coloque en la herramienta apretando firmemente para que no quede suelto ni se generen fugas.  
\* Use un paño para limpiar cualquier residuo de aceite en el perno y la herramienta.



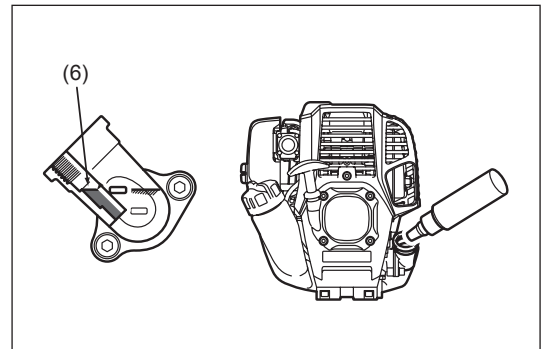
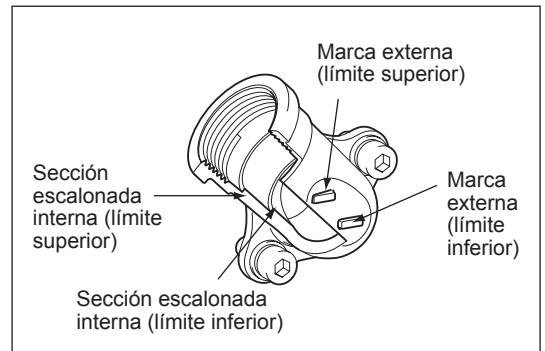
### Método alternativo de drenado

Quite la tapa del aceite e incline el cortasetos de extensión hacia el orificio de suministro de aceite para drenarlo.  
Recolecte el aceite en un contenedor.





- 5) Ajuste el nivel del motor y gradualmente llene con aceite hasta la marca del límite superior (6).
- 6) Tras haber resuministrado de aceite, coloque la tapa del aceite y apriétela con firmeza de tal forma que no quede suelta y se generen fugas. Si la tapa del aceite no queda bien apretada, puede que haya fugas.



#### PUNTOS SOBRE EL ACEITE

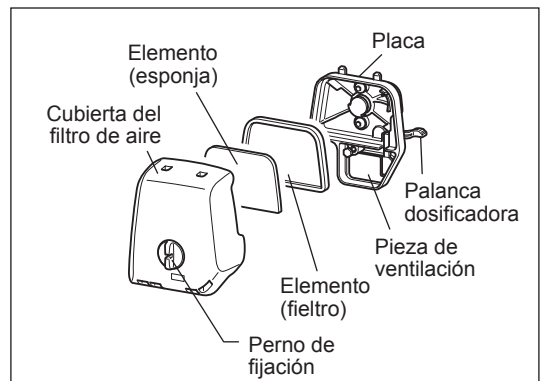
- Nunca deseche el aceite viejo del motor en la basura, ni lo tire al suelo o drenaje. El desecho de aceite está reglamentado por la ley. Al desechar, siempre acate las leyes y reglamentaciones correspondientes. Para cualquier otro punto desconocido, póngase en contacto con un Agente de Servicio Autorizado.
- El aceite se deteriora incluso si se conserva sin usar. Realice la inspección y el reemplazo a intervalos periódicos (reemplace con nuevo aceite cada 6 meses).

#### Limpieza del filtro de aire

**PELIGRO: El uso de sustancias o material inflamable queda estrictamente prohibido**

Revise y limpie el filtro de aire diariamente o por cada 10 horas de operación.

- Gire la palanca dosificadora completamente al lado cerrado y mantenga el carburador fuera de polvo y partículas.
- Afloje el perno de fijación.
- Retire la cubierta del filtro de aire jalándolo por su lado de fondo.
- Retire los elementos y golpetéelos para eliminar la tierra y el polvo.
- Si los elementos están altamente contaminados:  
Retire los elementos, sumérgalos en agua tibia o en agua diluida con un detergente neutro y luego séquelos por completo. No los apretuje ni los talle al estarlos lavando.
- Antes de colocar los elementos, asegúrese de haberlos secado por completo. De lo contrario, puede que éstos dificulten el arranque del equipo.
- Limpie con un paño el aceite que se haya adherido alrededor de la cubierta del filtro de aire y de la pieza de ventilación.
- Acomode el elemento (esponja) dentro del elemento (fieltro).
- Acomode los elementos en la placa de tal forma que la esponja quede orientada hacia la cubierta del filtro de aire.
- Coloque inmediatamente la cubierta del filtro y apriétela con los pernos de fijación (al reinstalar, primero coloque la pinza superior y luego la inferior).



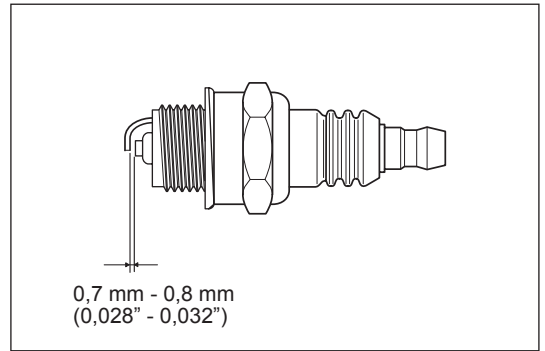
#### AVISO:

- Limpie los elementos varias veces al día en caso de que se adhiera polvo en exceso. Los elementos sucios reducen el poder del motor y dificultan su arranque.
- Elimine el aceite de los elementos. Si la operación continúa con los elementos sin haberse limpiado de aceite, puede que el aceite en el filtro de aire se salga, resultando en contaminación del medio ambiente.
- No coloque los elementos sobre el suelo ni sobre una superficie sucia. De lo contrario contraerán residuos que puede que dañen el motor.
- Nunca use gasolina para limpiar los elementos. Puede que la gasolina los dañe.

## REVISIÓN DE LA BUJÍA DE ENCENDIDO

- Use sólo la llave universal incluida para quitar o poner la bujía de encendido.
- El espacio entre los dos electrodos de la bujía de encendido debe ser de 0,7 mm a 0,8 mm (0,028" - 0,032"). Si el espacio está muy amplio o muy estrecho, ajústelo. Si la bujía de encendido está congestionada con contaminada, límpiela bien o reemplácela.

**PRECAUCIÓN:** Nunca toque el conector de la bujía de encendido mientras el motor está corriendo (peligro de descarga eléctrica de alto voltaje).



## Limpieza del filtro de combustible (cabeza de succión en el tanque de combustible)

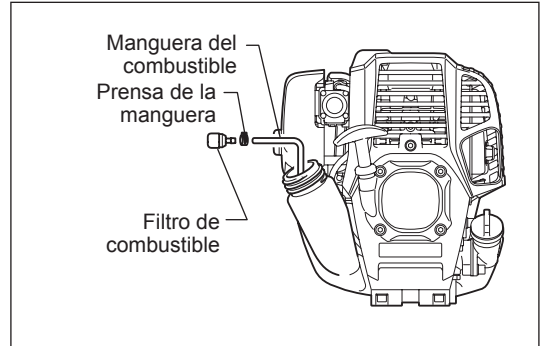
**ADVERTENCIA: EL USO DE SUSTANCIAS O MATERIAL INFLAMABLE QUEDA EstrictAMENTE PROHIBIDO**

Revise y limpie el filtro de combustible mensualmente o por cada 50 horas de operación.

Reviste el filtro de combustible periódicamente. Para revisar el filtro de combustible, siga los pasos a continuación.

- (1) Retire la tapa del tanque de combustible, drene el combustible hasta vaciar el tanque. Revise el interior del tanque para ver si hay residuos o material ajeno. De haberlos, elimínelos.
- (2) Saque la cabeza de succión con un gancho de alambre a través de la abertura del tanque.
- (3) Si el filtro de combustible está ligeramente congestionado, límpielo. Para limpiarlo, agítelo y remójelo ligeramente en gasolina. Para evitar daños, no lo apretuje ni lo talle. La gasolina usada para la limpieza deberá desecharse de acuerdo con los métodos especificados por las normas regulatorias de su país. Cambie el filtro de combustible si éste se ha endurecido o si está demasiado congestionado.
- (4) Tras la revisión, limpieza o reemplazo, empuje el filtro de combustible completamente al fondo del tanque de combustible.

Un filtro de combustible congestionado o dañado puede causar un suministro de combustible insuficiente, reduciendo el poder del motor. Reemplace el filtro de combustible al menos una vez cada tres meses para asegurar un suministro adecuado de combustible al carburador.



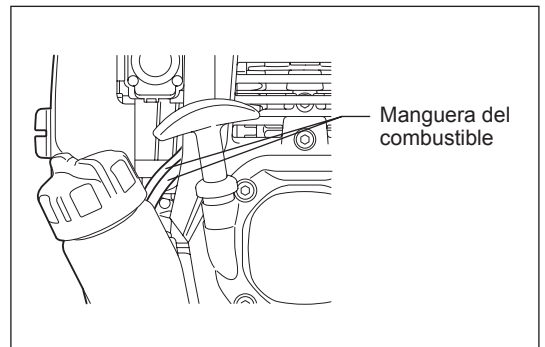
## Reemplazo de la manguera del combustible

**PRECAUCIÓN: El uso de sustancias o material inflamable queda estrictamente prohibido**

Revise y limpie la manguera del combustible diariamente o por cada 10 horas de operación.

Reemplace la manguera del combustible por cada 200 horas de operación, o cada año independientemente de la frecuencia de uso. De otra manera, la fuga de combustible puede ocasionar incendios.

Si descubre cualquier fuga durante la inspección, reemplace el manguera del combustible inmediatamente.



## INSPECCIÓN DE PERNOS, TUERCAS Y TORNILLOS

- Reapriete los pernos, tuercas, etc.
- Revise si hay fugas de combustible y aceite.
- Reemplace las piezas dañadas con repuestos nuevos para una operación segura.

## LIMPIEZA DE LAS PIEZAS

- Mantenga limpio el motor mediante la limpieza con un paño.
- Mantenga las aspas del cilindro libres de polvo y mugre. El polvo o la mugre que se adhieren a las aspas causarán atascamiento al pistón.

## REEMPLAZO DE SELLOS Y EMPAQUES

Reponga todos los sellos y empaques si el motor ha sido desensamblado. Para cualquier labor de mantenimiento o ajuste que no se describa en este manual, acuda a su centro de servicio autorizado MAKITA.

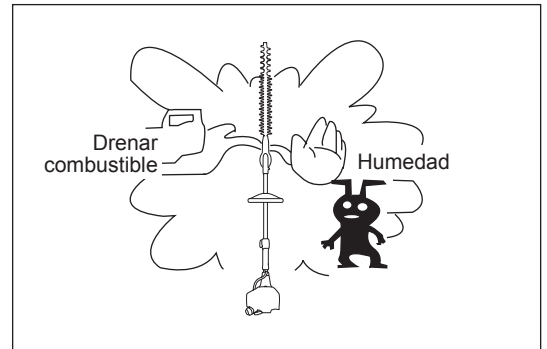
## ALMACENAMIENTO

**ADVERTENCIA:** Al drenar el combustible, apague el motor y espere a que éste se haya enfriado.

Hacer caso omiso de estas indicaciones podría provocar quemaduras o incendios.

**ATENCIÓN:** Cuando el equipo permanecerá almacenado por un tiempo prolongado, drene todo el combustible del tanque y del carburador, y almacene en un lugar seco y limpio.

- Drene el combustible del tanque de combustible y carburador como se indica a continuación:
  - 1) Retire el tapa del tanque de combustible y drene el combustible por completo. Elimine por completo cualquier materia ajena que pueda quedar en el tanque de combustible.
  - 2) Jale el filtro de combustible del puerto de resuministro con un alambre.
  - 3) Bombee el cebador hasta que el combustible se drene de ahí y drene el combustible hacia el tanque.
  - 4) Restaure el filtro al tanque de combustible y apriete la tapa de tanque de combustible firmemente.
  - 5) Luego, continúe dejando el motor corriendo hasta que éste se apague.
- Retire la bujía de encendido y escurra varias gotas de aceite de motor a través del orificio de la bujía de encendido.
  - Jale suavemente el mango del arrancador de tal forma que el aceite se propague a través del motor y coloque la bujía de encendido.
  - Coloque la cubierta para las cuchillas cortadoras.
  - En general, el equipo deberá almacenarse en posición horizontal. De no ser posible, coloque el equipo con la unidad del motor quedando por debajo de la pieza cortadora. De lo contrario, puede que haya una fuga del aceite del motor en el interior.
  - Ponga siempre atención al almacenar el equipo en un lugar seguro para prevenir daños al equipo y lesiones personales.
  - Conserve el combustible drenado en un contenedor especial ubicado en un lugar bien ventilado sin exposición a la luz del sol.



**Atención tras el almacenamiento de largo plazo**

- Asegúrese de cambiar el aceite antes de arrancar el motor tras un prolongado tiempo de no haberse utilizado (consulte la P65). El aceite tiende a deteriorarse cuando el equipo se deja sin usar.

Artículo	Tiempo de operación	Antes de la operación	Diario (10h)	25h	50h	200h	Apagado/en reposo	P Correspondiente
Aceite para motor	Inspeccionar	○						56
	Reemplazar				○*1			65
Apretar de piezas (perno, tuerca)	Inspeccionar	○						67
Tanque de combustible	Limpiar / inspeccionar	○						-
	Drenar combustible						○*3	68
Palanca de aceleración	Verificar funcionamiento	○						58
Interruptor	Verificar funcionamiento	○						58, 60
Cuchillas cortadoras	Inspeccionar	○	○					58, 63
Rotación a baja velocidad	Inspeccionar / ajustar		○					60
Filtro de aire	Limpiar		○					66
Bujía de encendido	Inspeccionar		○					67
Conducto del aire de enfriamiento	Limpiar / inspeccionar		○					67
Manguera del combustible	Inspeccionar		○					67
	Reemplazar					◎*2		
Grasa para la caja de cambios	Resuministrar			○				64
Filtro de combustible	Limpiar / reemplazar				○			67
Área despejada entre la válvula de ingreso del aire y válvula de escape del aire	Ajustar					◎*2		-
Reparación del motor						◎*2		-
Carburador	Drenar combustible						○*3	68

\*1 Realice un reemplazo inicial tras 20 horas de operación.

\*2 Para la inspección tras 200 horas de operación, acuda a un Agente de Servicio Autorizado o taller de servicios de mantenimiento.

\*3 Tras vaciar el tanque de combustible, continúe dejando el motor corriendo y drene el combustible del carburador.

## RESOLUCIÓN DE PROBLEMAS

Antes de solicitar un servicio de reparación, revise primero usted el problema. Si se encuentra cualquier anomalía, controle el equipo según la descripción de este manual que se indica. Nunca altere o desarme ninguna pieza que no se indique en la descripción. Para servicios de reparación, póngase en contacto con un Agente de Servicio Autorizado o con su distribuidor local.

Estado de anomalía	Causa probable (falla)	Solución
El motor no arranca	Falla en la operación de la bomba cebadora	Bombée de 7 a 10 veces
	Poca fuerza al jalar el cordón del arrancador	Jale con fuerza
	Falta de combustible	Suministre combustible
	Filtro de combustible congestionado	Limpiar
	Manguera de combustible doblada	Enderece la manguera de combustible
	Combustible deteriorado	El combustible deteriorado dificulta que el equipo arranque. Reemplace con nuevo aceite. (reemplazo recomendado: una vez al mes)
	Succión excesiva de combustible	Ajuste la palanca aceleradora de velocidad media a velocidad alta y jale el mango del arrancador hasta que el motor se encienda. <b>Una vez que el motor arranque, las cuchillas cortadoras comienzan a moverse. Este completamente atento de la cuchillas cortadoras.</b> Si el motor sigue sin arrancar, retire la bujía de encendido, seque los electrodos y reensamble. Luego arranque el equipo como se indica.
	Tapa de la bujía suelta	Fije con firmeza
	Bujía de encendido contaminada	Limpiar
	Irregularidad del área de despeje de la bujía de encendido	Ajuste el área de despeje
	Otra anomalía con la bujía de encendido	Reemplazar
	Anomalía con el carburador	Solicite un servicio de inspección y mantenimiento.
	La cuerda del arrancador no puede jalarsé	Solicite un servicio de inspección y mantenimiento.
Irregularidad con el sistema de propulsión	Solicite un servicio de inspección y mantenimiento.	
El motor se apaga en poco tiempo La velocidad del motor no aumenta	Falta de calentamiento del motor	Realice la operación de calentamiento
	Palanca del dosificador está en la posición "I" aunque el motor ya está caliente.	Ajustar a "III"
	Filtro de combustible congestionado	Limpie o reemplace
	Filtro de aire contaminado o congestionado	Limpiar
	Anomalía con el carburador	Solicite un servicio de inspección y mantenimiento.
	Irregularidad con el sistema de propulsión	Solicite un servicio de inspección y mantenimiento.
La cuchilla cortadora no se mueve  ↓ Apague el motor de inmediato	Ángulo inadecuado de la unidad cortadora	Asegúrese de que el bloqueo del ángulo engrane correctamente.
	La tuerca de fijación de las cuchillas cortadoras está suelta	Apriete con firmeza
	Ramas enredadas entre las cuchillas cortadoras.	Retire los residuos y materia ajena
	Irregularidad con el sistema de propulsión	Solicite un servicio de inspección y mantenimiento.
La unidad principal vibra de forma anormal  ↓ Apague el motor de inmediato	Rotura, doblez o desgaste de las cuchillas cortadoras	Reemplace las cuchillas cortadoras
	La tuerca de fijación de las cuchillas cortadoras está suelta	Apriete con firmeza
	Irregularidad con el sistema de propulsión	Solicite un servicio de inspección y mantenimiento.
Las cuchillas cortadoras no se detienen inmediatamente  ↓ Apague el motor de inmediato	Rotación a alta velocidad en marcha sin carga	Ajustar
	Cable del acelerador suelto	Fije con firmeza
	Irregularidad con el sistema de propulsión	Solicite un servicio de inspección y mantenimiento.
El motor no se apaga  ↓ Active el motor y que corra en estado pasivo y ajuste la palanca dosificadora a la posición "I"	Conector suelto	Fije con firmeza
	Irregularidad con el sistema eléctrico	Solicite un servicio de inspección y mantenimiento.

Cuando el equipo no arranca tras la operación de calentamiento:

Si no se detecta alguna anomalía en las piezas revisadas, abra el acelerador alrededor de 1/3 y arranque el motor.



<USA only>

## **WARNING**

The engine exhaust from this product contains chemicals known to the State of California to cause cancer, birth defects or other reproductive harm.

<USA solamente>

## **ADVERTENCIA**

Los gases de escape del motor de este producto contienen sustancias químicas conocidas en el Estado de California como causantes de cáncer, defectos genéticos y otros problemas relacionados con la reproducción.

**Makita Corporation**

3-11-8, Sumiyoshi-cho,  
Anjo, Aichi 446-8502 Japan