



**EN** Cordless Job Site Speaker      Instruction manual

**ESMX** Altavoz Inalámbrico de Trabajo      Manual de instrucciones

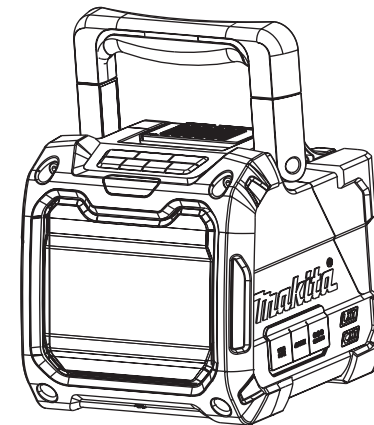
Makita Corporation  
3-11-8, Sumiyoshi-cho,  
Anjo, Aichi 446-8502 Japan

3A81bW5Z20000  
XRM08(12VMAX)-NA2-1703

[www.makita.com](http://www.makita.com)

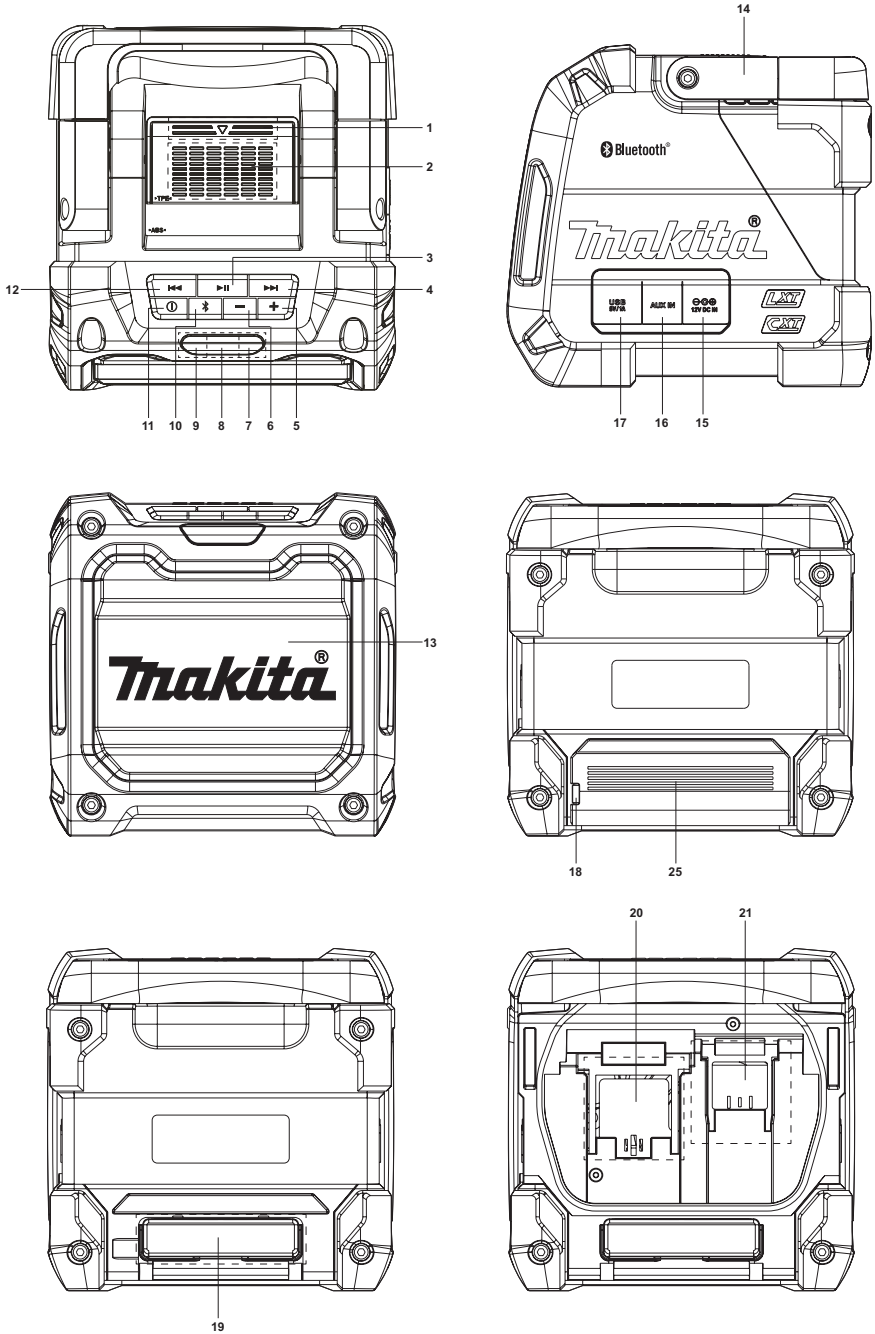
SJN

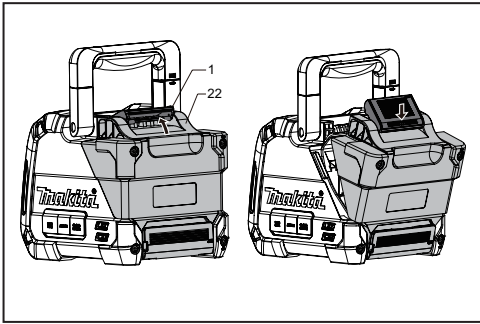
**XRM08**



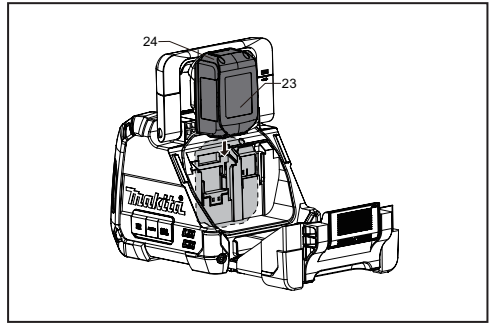
**IMPORTANT:** Read Before Using  
**IMPORTANTE:** Leer antes de usar.

# Explanation of general view

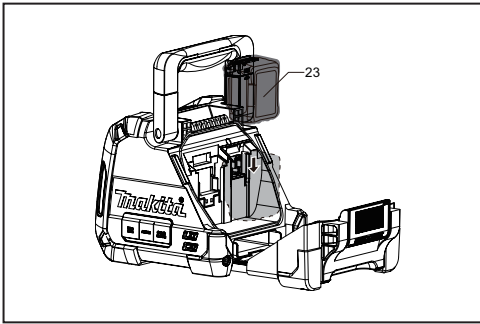




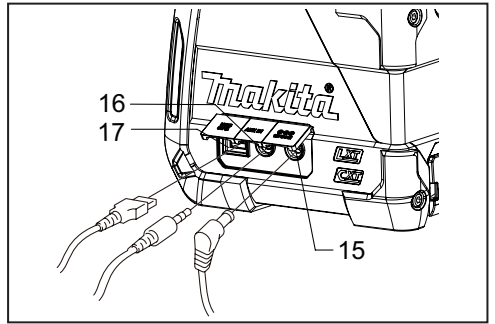
2



3



4



5

## ENGLISH (Original instructions)

### Symbols

The following show the symbols used for the equipment. Be sure that you understand their meaning before use.



Read instruction manual.

## IMPORTANT SAFETY INSTRUCTIONS

### ⚠ WARNING:

When using electric tools, basic safety precautions should always be followed to reduce the risk of fire, electric shock, and personal injury, including the following:

1. Read this instruction manual and the charger instruction manual carefully before use.
2. Clean only with dry cloth.
3. Do not install near any heat sources such as radiators, heat registers, stoves, or other apparatus (including amplifiers) that produce heat.
4. Only use attachments/accessories specified by the manufacturer.
5. Unplug this apparatus during lightning storms or when unused for long periods of time.
6. A battery operated speaker with integral batteries or a separate battery pack must be recharged only with the specified charger for the battery. A charger that may be suitable for one type of battery may create a risk of fire when used with another battery.
7. Use battery operated speaker only with specifically designated battery packs. Use of any other batteries may create a risk of fire.
8. When battery pack is not in use, keep it away from other metal objects like: paper clips, coins, keys, nails, screws, or other small metal objects that can make a connection from one terminal to another. Shorting the battery terminals together may cause sparks, burns, or a fire.
9. Avoid body contact with grounded surfaces such as pipes, radiators, ranges and refrigerators. There is an increased risk of electric shock if your body is grounded.
10. Under abusive conditions, liquid may be ejected from the battery; avoid contact. If contact accidentally occurs, flush with water. If liquid contacts eyes, additionally seek medical help. Liquid ejected from the battery may cause irritation or burns.
11. The MAINS plug is used as the disconnect device, and it shall remain readily operable.

4. If electrolyte gets into your eyes, rinse them out with clear water and seek medical attention right away. It may result in loss of your eyesight.
5. Do not short the battery cartridge:
  - (1) Do not touch the terminals with any conductive material.
  - (2) Avoid storing battery cartridge in a container with other metal objects such as nails, coins, etc.
  - (3) Do not expose battery cartridge to water or rain. A battery short can cause a large current flow, overheating, possible burns and even a breakdown.
6. Do not store the tool and battery cartridge in locations where the temperature may reach or exceed 50 °C(122°F)
7. Do not incinerate the battery cartridge even if it is severely damaged or is completely worn out. The battery cartridge can explode in a fire.
8. Be careful not to drop or strike battery.
9. Do not use a damaged battery.
10. The contained lithium-ion batteries are subject to the Dangerous Goods Legislation requirements. For commercial transports e.g. by third parties, forwarding agents, special requirement on packaging and labeling must be observed. For preparation of the item being shipped, consulting an expert for hazardous material is required. Please also observe possibly more detailed national regulations. Tape or mask off open contacts and pack up the battery in such a manner that it cannot move around in the packaging.
11. Follow your local regulations relating to disposal of battery.

### ⚠ CAUTION:

Only use genuine Makita batteries. Use of non-genuine Makita batteries, or batteries that have been altered, may result in the battery bursting causing fires, personal injury and damage. It will also void the Makita warranty for the Makita tool and charger.

Tips for maintaining maximum battery life

1. Charge the battery cartridge before completely discharged. Always stop tool operation and charge the battery cartridge when you notice less tool power.
2. Never recharge a fully charged battery cartridge. Overcharging shortens the battery service life.
3. Charge the battery cartridge with room temperature at 10 °C - 40 °C (50 °F - 104 °F). Let a hot battery cartridge cool down before charging it.
4. Charge the battery cartridge if you do not use it for a long period (more than six months).

## SAVE THESE INSTRUCTIONS

### SPECIFIC SAFETY RULES

#### FOR BATTERY CARTRIDGE

1. Before using battery cartridge, read all instructions and cautionary markings on (1) battery charger, (2) battery, and (3) product using battery.
2. Do not disassemble battery cartridge.
3. If operating time has become excessively shorter, stop operating immediately. It may result in a risk of overheating, possible burns and even an explosion.

**For United States:**



Cautions to the use

The changes or modifications not expressly approved by the party responsible for compliance could void the user's authority to operate the equipment.

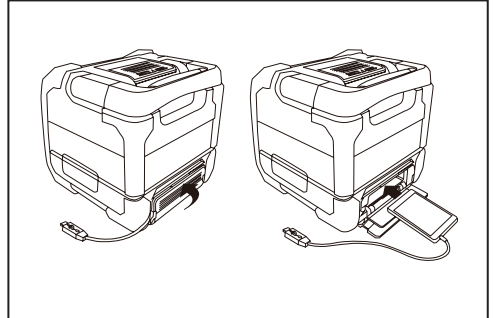
**RF exposure statements**

**IMPORTANT NOTE:** To comply with the FCC RF exposure compliance requirements, the antenna(s) used for this transmitter must be installed to provide a separation distance of at least 20 cm from all persons and must not be co-located or operating in conjunction with any other antenna or transmitter. No change to the antenna or the device is permitted. Any change to the antenna or the device could result in the device exceeding the RF exposure requirements and void user's authority to operate the device.

**Note:** This equipment has been tested and found to comply with the limits for a Class B digital device, pursuant to part 15 of the FCC Rules. These limits are designed to provide reasonable protection against harmful interference in a residential installation. This equipment generates, uses and can radiate radio frequency energy and, if not installed and used in accordance with the instructions, may cause harmful interference to radio communications. However, there is no guarantee that interference will not occur in a particular installation. If this equipment does cause harmful interference to radio or television reception, which can be determined by turning the equipment off and on, the user is encouraged to try to correct the interference by one or more of the following measures:

- Reorient or relocate the receiving antenna.
- Increase the separation between the equipment and receiver.
- Connect the equipment into an outlet on a circuit different from that to which the receiver is connected.
- Consult the dealer or an experienced radio/TV technician for help.

6. Volume down button
7. Aux in indicator
8. Volume max. or min. indicator/ Low battery indicator
9. Bluetooth indicator
10. Bluetooth pairing button
11. Power button
12. Previous track button/ Rewind button
13. Speaker
14. Handle
15. DC in socket
16. Auxiliary input socket
17. USB charging socket
18. Cable hole
19. Mobile (Cell phone) storage cabinet



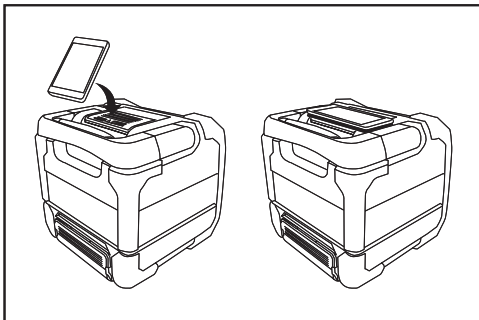
20. 18V battery terminal
21. 10.8 V battery terminal
22. Battery cover
23. Battery cartridge
24. Button
25. Mobile storage cabinet cover

**Power**

The speaker can be powered by Makita battery packs or a standard wall outlet.

**Explanation of general view (Fig.1)**

1. Battery compartment locker
2. Mobile (Cell phone) placing panel



3. Play/Pause button
4. Next track button/Fast-forward button
5. Volume up button

## Power by battery

The following table indicates the operating time on a single charge.

Battery capacity	Battery Cartridge Voltage		AT SPEAKER OUTPUT = 100mW (unit: Hour) (Approximately)			
	10.8V -12Vmax	18V	AUX IN	Bluetooth	AUX IN +USB(2.1A)	Bluetooth +USB(2.1A)
1.5Ah	BL1016		12	11	1.0	
		BL1815N	9.5	9.0	1.5	
2.0Ah	BL1021B		15	14	1.0	
		BL1820B	13	12	2.0	
3.0Ah		BL1830/ BL1830B	18	17	3.0	
4.0Ah	BL1041B		31	28	2.5	
		BL1840B	25	24	4.0	
5.0Ah		BL1850B	32	31	5.5	
6.0Ah		BL1860B	39	37	6.5	

## Installing or removing slide battery cartridge (Fig. 3 and 4)

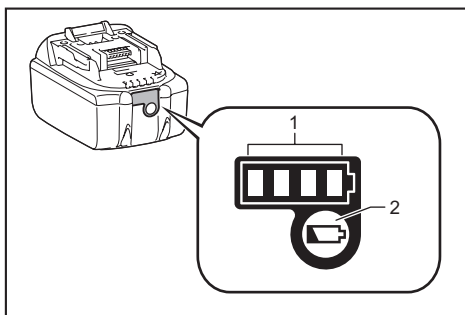
- To install the battery cartridge, align the tongue on the battery cartridge with the groove in the housing and slip it into place. Always insert it all the way until it locks in place with a little click.
- If you can see the red indicator on the upper side of the button, it is not locked completely. Install it fully until the red indicator cannot be seen. If not, it may accidentally fall out of the tool, causing injury to you or someone around you.
- Do not use force when inserting the battery cartridge. If the cartridge does not slide in easily, it is not being inserted correctly.
- To remove the battery cartridge, sliding it from the tool while pressing the button on the front of the cartridge.

### Note:

When the speaker is in low battery, the middle LED will flash in red.

## Indicating the remaining battery capacity

*Only for battery cartridges with "B" at the end of the model number*



- 1. Indicator lamps 2. Check button

Press the check button on the battery cartridge to indicate the remaining battery capacity. The indicator lamps light up for few seconds.

## 18V Battery

Indicator lamps			Remaining capacity
Lighted	Off	Blinking	
■ ■ ■ ■			75% to 100%
■ ■ ■ □			50% to 75%
■ ■ □ □			25% to 50%
■ □ □ □			0% to 25%
▬ □ □ □			Charge the battery
■ ■ □ □			The battery may have malfunctioned
□ □ ■ ■			

## 10.8V-12V max batteries

Indicator lamps		Remaining capacity
Lighted	Off	
■ ■ ■ ■		75% to 100%
■ ■ ■ □		50% to 75%
■ ■ □ □		25% to 50%
■ □ □ □		0% to 25%

**NOTE:** Depending on the conditions of use and the ambient temperature, the indication may differ slightly from the actual capacity.

## Using Supplied AC power adaptor (Fig. 5)

Remove the rubber protector and insert the adaptor plug into the DC socket on the right side of the speaker. Plug the adaptor into a standard mains socket outlet. Whenever the adaptor is used, the battery pack is automatically disconnected. The AC adaptor should be disconnected from the main supply when not in use.

### IMPORTANT:

The mains adaptor is used as the means of connecting the speaker to the mains supply. The mains socket used for the speaker must remain accessible during normal use. In order to disconnect the speaker from the mains completely, the mains adaptor should be removed from the mains outlet completely.

## USB power supply socket

This jack can be used to charge a mobile phone or any other device that uses less than 2.1A of DC current. Charging will only occur when the speaker is switched on.

**Note:** Ensure the specification of your external device such as mobile phone, mp3 player or iPod is compatible with the speaker. Please read instruction manual of your external device before charging.

### IMPORTANT:

- Before connecting USB device to the charger, always backup your data of USB device. Otherwise your data may lose by any possibility.
- The charger may not supply power to some USB devices.
- When not using or after charging, remove the USB cable and close the cover.
- Do not connect power source to USB port. Otherwise there is risk of fire. The USB port is only intended for charging lower voltage device. Always place the cover onto the USB port when not charging the lower voltage device.
- Do not insert a nail, wire, etc. into USB power supply port. Otherwise a circuit short may cause smoke and fire.
- Do not connect this USB socket with your PC USB port, as it is highly possible that it may cause breakdown of the units.

## Pairing and connecting a device to the speaker

You need to pair your Bluetooth device with the speaker before you can auto-link to play/stream Bluetooth music through the speaker. Pairing creates a 'bond' so two devices can recognize each other.

To have the better sound quality, we recommend setting the volume to more than two-thirds level on your Bluetooth device and then adjust the volume on the speaker as required.

## Pairing and playing your Bluetooth device for the first time

1. Press the Power button **ⓘ** to turn on the speaker and the Bluetooth indicator will flash in blue. The indicator flashes fast flashing blue indicating the speaker is discoverable.
2. Activate Bluetooth on your device according to the device's user manual to link to the speaker. Locate the Bluetooth device list and select the device named 'XRM08.' With some mobiles (which are equipped with earlier versions than BT2.1 Bluetooth device), you may need to input the pass code "0000".
3. Once connected, there will be a beep sound and the Bluetooth indicator will remain in solid blue. You can simply select and play any music from your source device. Volume control can be adjusted from your source device, or directly from the speaker.
4. Use the controls on your Bluetooth-enabled device or on the speaker to play/pause and navigate tracks.

### Note:








1. If 2 Bluetooth devices, pairing for the first time, both

search for the speaker, it will show its availability on both devices. However, if one device links with this unit first, then the other Bluetooth device won't find it on the list.

2. If your Bluetooth device is temporarily disconnected to the speaker, then you need to manually reconnect your device again to the speaker.
3. If "XRM08" shows in your Bluetooth device list but your device cannot connect with it, please delete the item from your list and pair the device with the speaker again following the steps described previously.
4. The effective operation range between the system and the paired device is approximately 10 meters (30 feet). Any obstacle between the system and the device can reduce the operational range.
5. Bluetooth connectivity performance may vary depending on the connected Bluetooth devices. Please refer to the Bluetooth capabilities of your device before connecting to the speaker. All features may not be supported on some paired Bluetooth devices.

## Playing audio files in Bluetooth mode

When you have successfully connected the speaker with the chosen Bluetooth device you can start to play your music using the controls on your connected Bluetooth device.

1. Once playing has started adjust the volume to the required setting using the Volume buttons   on the speaker or on your enabled Bluetooth device. When you press the Volume up/down button, the volume indicator will flash in fast flashing red. If the indicator light in solid red, it indicates the volume is in maximum volume or minimum volume.
2. Use the controls on your device to play/pause and navigate tracks. Alternatively, control the playback using Play/Pause (  ), Next track (  ), Previous track buttons (  ) on the speaker.
3. Press and hold the Next track (  ) or Previous button (  ) to fast-forward/Rewind the current track. Release the button when the desired point in the track is reached.

### Note:


1. That not all player applications or devices may respond to all of these controls.
2. Some mobile phones may temporarily disconnect from the speaker when you make or receive calls. Some devices may temporarily mute their Bluetooth audio streaming when they receive text messages, emails or for other reasons unrelated to audio streaming. Such behaviour is a function of the connected device and does not indicate a fault with the speaker.

## Speaker memory and reconnecting a device

The speaker can memorize up to 8 sets of paired device, when the memory exceed this amount, the oldest pairing history will be over written. If your Bluetooth device already paired with the speaker previously, the unit will memorize your Bluetooth device and it attempts to reconnect with a device in memory which is last connected. If the last connected device is not available,

the speaker will be discoverable.

## Disconnecting your Bluetooth device

Press and hold the Bluetooth pairing button  for 2-3 seconds to disconnect with your Bluetooth device. The Bluetooth indicator flashes in blue indicating the speaker is discoverable again for pairing.

## Playing music via auxiliary input socket

A 3.5mm Auxiliary input socket is provided on the right side of the unit to permit an audio signal to be fed into the unit from any devices that features a headphone or audio output, such as an iPod, MP3 or CD player.

1. Connect a stereo or mono audio source (for example, iPod, MP3 or CD player) to the Auxiliary input socket (marked 'AUX') and the Aux in indicator turns green indicating the speaker is in auxiliary input mode.
2. Adjust the Volume control on your iPod, MP3 or CD player to ensure an adequate signal and then adjust the volume on the speaker for comfortable listening.
3. To have the better sound quality, we recommend setting the volume to more than two-thirds level on your audio device and then adjust the volume on the speaker as required.

### Note:

When Aux in socket is connected an audio device, Bluetooth function will be disabled to minimize power consumption.



## MAINTENANCE

### CAUTION:

- Never use gasoline, benzene, thinner, alcohol or the like. Discoloration, deformation or cracks may result.

## Specification

### Amplifier

Output power	10.8V:3.5W 18V:10W
Frequency response	50Hz~20kHz

### Aux In

Input sensitivity	250mVrms @100Hz
-------------------	-----------------

### Speaker

Main speaker	101.6mm 8 ohm 10W
Tweeter speaker	36mm 8ohm 10W

## Bluetooth

Bluetooth version	4.0
Bluetooth profiles	A2DP/ SCMS-T/ AVRCP
Transmission power	Bluetooth specification power Class 2
Transmission range	Max. 10m (varies according to usage conditions)
Supported codec	SBC
Compatible Bluetooth profile	A2DP

## General

AC power adaptor	DC in 12V 1.5A, center pin positive
Battery	Slide battery: 10.8V-12Vmax / 18 V
Weight	2.7KG (without battery)

The company reserves the right to amend the specification without notice.

### Simbolos

Lo siguiente muestra los símbolos usados por el equipo. Asegúrese de que entiende su significado, antes de usar el equipo.



Lea el manual de instrucciones.

## INSTRUCCIONES IMPORTANTES DE SEGURIDAD

### ⚠ ADVERTENCIA:

Cuando utilice herramientas eléctricas, para reducir el riesgo de incendio, descarga eléctrica y lesiones personales, siga siempre las precauciones básicas de seguridad, incluyendo lo siguiente:

1. Lea el manual de instrucciones y el manual de instrucciones del cargador detenidamente antes de usarlos.
2. Limpie el equipo solo con un paño seco.
3. No instale cerca de fuentes de calor, como radiadores, estufas, fuegos de cocina u otros aparatos (incluyendo amplificadores) que produzcan calor.
4. Utilice únicamente accesorios especificados por el fabricante.
5. Desenchufe este aparato durante las tormentas o cuando no vaya a usarlo por un periodo prolongado.
6. Un altavoz que funcione por medio de baterías bien integradas o bien independientes, solo debe cargarse con el cargador específico para la batería. Un cargador adecuado para un tipo de batería, puede crear riesgo de incendio cuando se usa con otra batería.
7. Use un altavoz que funcione por medio de baterías solo con baterías específicamente diseñadas. El uso de otras baterías podría crear riesgo de incendio.
8. Cuando la batería no esté en uso, manténgala alejada de otros objetos metálicos como: clips, monedas, llaves, clavos, tornillos u otros objetos metálicos pequeños que pudieran crear conexiones de un terminal a otro. El contacto entre sí de los terminales de las baterías puede provocar chispas, quemaduras o fuego.
9. Evite contacto corporal con superficies conectadas a tierra como tuberías, radiadores, estufas y refrigeradores. Hay un incremento del riesgo de descarga eléctrica si su cuerpo está conectado a tierra.
10. En condiciones abusivas, puede que de la batería se expulse líquido, evite el contacto. Si de forma accidental entra en contacto con el líquido, enjuague con agua. Si el líquido entrase en contacto con los ojos, busque ayuda médica. El líquido expulsado de la batería puede causar irritación o quemaduras.
11. El enchufe principal de la red eléctrica se utiliza como dispositivo de desconexión, y debe estar siempre disponible

## GUARDE ESTAS INSTRUCCIONES

### REGLAS ESPECÍFICAS DE SEGURIDAD

#### PARA EL CARTUCHO DE BATERÍA

1. Antes de utilizar el cartucho de batería, lea todas las instrucciones y advertencias en (1) el cargador de la batería, (2) la baterías, (3) el producto que usa la batería.
  2. No desmonte el cartucho de batería.
  3. Si el tiempo de funcionamiento se ha vuelto excesivamente corto, pare inmediatamente. Puede haber riesgo de sobrecalentamiento, posibles quemaduras o incluso una explosión.
  4. Si el electrolito entra en contacto con los ojos, lávelos con agua limpia y busque atención médica de inmediato. Podría dar como resultado la pérdida de visión.
  5. No haga un cortocircuito con el cartucho de batería.  
(1) No toque los terminales con un material conductor.  
(2) Evite almacenar el cartucho de batería en recipientes con otros objetos metálicos como clavos, monedas, etc.  
(3) No exponga la batería al agua o lluvia. Un cortocircuito en la batería puede producir un gran flujo, sobrecalentamiento, posibles quemaduras e incluso una avería.
  6. No guarde la herramienta ni el cartucho de batería en lugares donde la temperatura pueda llegar a o superar los 50 °C (122 °F).
  7. No incinere el cartucho de batería incluso si está muy dañado o completamente desgastado. El cartucho de batería podría explotar en el fuego.
  8. Tenga cuidado de no dejar caer o golpear la batería.
  9. No use una batería dañada.
  10. Las baterías de ión de litio están sujetas a los requisitos reglamentarios en materia de bienes peligrosos. Para el transporte comercial, por ej., mediante terceros o agentes de transporte, se deben tomar en cuenta los requisitos especiales relativos al empaque y el etiquetado. Para efectuar los preparativos del artículo que se va a enviar, se requiere consultar a un experto en materiales peligrosos. Si es posible, consulte además otras regulaciones nacionales más detalladas. Pegue o cubra con cinta adhesiva los contactos abiertos y empaque la batería de manera que ésta no pueda moverse dentro del paquete.
  11. Siga las regulaciones locales relacionadas al desecho de las baterías.
- ⚠ **PRECAUCIÓN:**  
Utilice únicamente baterías originales de Makita. El uso de baterías no originales de Makita, o de baterías alteradas, puede ocasionar que las baterías exploten causando un incendio, lesiones personales y daños. Asimismo, esto invalidará la garantía de Makita para la herramienta y el cargador Makita.
- Consejos para mantener al máximo la vida útil de la batería
1. Cargue el cartucho de batería antes de que se descargue completamente. Deje de usar la herramienta y cargue la batería cuando note que la batería tiene menos potencia.
  2. Nunca cargue un cartucho de batería que esté totalmente cargado. La sobrecarga reduce la vida útil de la batería.
  3. Cargue el cartucho de batería con una temperatura ambiente de entre 10 y 40 grados centígrados (50 °F-104 °F). Antes de cargarla, deje que una batería que esté caliente se enfríe.
  4. Cargue el cartucho de batería si no lo usa durante un largo periodo de tiempo (más de seis meses).

Para Estados Unidos:



Precauciones para el usuario  
Los cambios o modificaciones que no hayan sido expresamente autorizados por la entidad responsable por el cumplimiento de las regulaciones podrían anular la autoridad del usuario de utilizar este equipo. Declaraciones sobre la exposición de radiofrecuencia (RF)

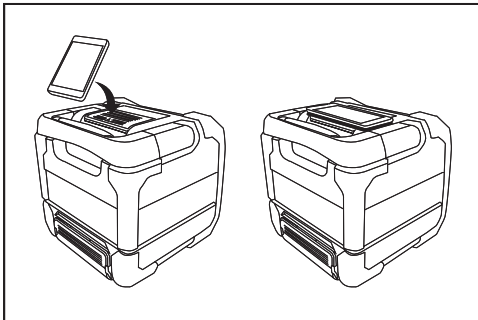
**NOTA IMPORTANTE:** Para cumplir con los requisitos de exposición humana a los campos de radiofrecuencia (RF) de la FCC, la o las antenas usadas para este transmisor deben instalarse a una distancia mínima de 20 centímetros de cualquier persona y no deben ser colocadas ni funcionar junto a otras antenas o transmisores. No se permite ningún cambio en la antena o dispositivo. Cualquier cambio en la antena o dispositivo podría resultar en el dispositivo excediendo los requisitos de exposición humana a los campos de radiofrecuencia y anular la autoridad del usuario para operar el dispositivo.

**NOTA:** Este equipo ha sido probado y cumple con los límites correspondientes a un equipo digital de Clase B, según lo señalado en la Parte 15 de las Normas FCC (la Comisión Federal de Comunicaciones de EE. UU.). Estos límites están diseñados para proporcionar protección razonable contra interferencias perjudiciales en una instalación residencial. Este equipo genera, utiliza y puede emitir energía de frecuencias de radio y, si no es instalado y usado de acuerdo a las instrucciones, puede causar interferencias perjudiciales en las comunicaciones de radio. Sin embargo, no hay garantía de que no ocurrirán las interferencias en una instalación determinada. Si este equipo causa interferencias perjudiciales en la recepción de radio o televisión, que se pueden identificar encendiendo y apagando el equipo, recomendamos al usuario que intente solucionar las interferencias tomando una o más de las siguientes medidas:

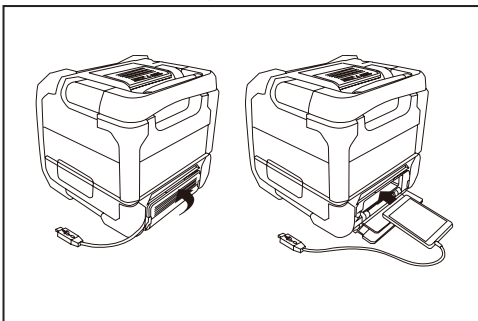
- Cambiar la orientación o posición de la antena receptora.
- Aumentar la separación entre el equipo y el receptor.
- Conectar el equipo a una toma de un circuito diferente del conectado con el receptor.
- Consultar al proveedor o a un técnico de radio/TV con experiencia para recibir ayuda.

## Explicación de la vista general (Fig. 1)

1. Compartimento de la batería
2. Panel para colocar el teléfono móvil (celular)



3. Botón Reproducción/pausa
4. Botón pista siguiente/avance rápido
5. Botón subir volumen
6. Botón bajar volumen
7. Indicador de entrada auxiliar
8. Indicador de volumen máximo o mínimo/indicador batería baja
9. Indicador de Bluetooth
10. Botón de vinculación Bluetooth
11. Botón de encendido
12. Botón pista anterior/rebobinar
13. Altavoz
14. Asa
15. Toma de entrada CC
16. Toma de entrada auxiliar
17. Toma de carga USB
18. Agujero para cable
19. Compartimento para guardar el teléfono móvil (celular)



20. Terminal de la batería 18 V
21. Terminal de la batería 10.8 V
22. Cubierta de la batería
23. Cartucho de batería
24. Botón
25. Cubierta del compartimento donde se guarda el móvil

## Alimentación

El altavoz puede funcionar por medio de baterías Makita o por medio de una toma de corriente estándar.

## Alimentación por batería

La siguiente tabla indica el tiempo de uso con una sola carga.

Capacidad de la batería	Voltaje del cartucho de batería		CON SALIDA DE ALTAVOZ = 100 mW (unidad: Hora) (aproximadamente)			
	10.8V -12Vmax	18V	Entrada auxiliar	Bluetooth	Entrada auxiliar +USB(2.1A)	Bluetooth +USB(2.1A)
1.5Ah	BL1016		12	11	1.0	
		BL1815N	9.5	9.0	1.5	
2.0Ah	BL1021B		15	14	1.0	
		BL1820B	13	12	2.0	
3.0Ah		BL1830/ BL1830B	18	17	3.0	
4.0Ah	BL1041B		31	28	2.5	
		BL1840B	25	24	4.0	
5.0Ah		BL1850B	32	31	5.5	
6.0Ah		BL1860B	39	37	6.5	

## Instalación o retirada del cartucho de batería (fig. 3 y 4)

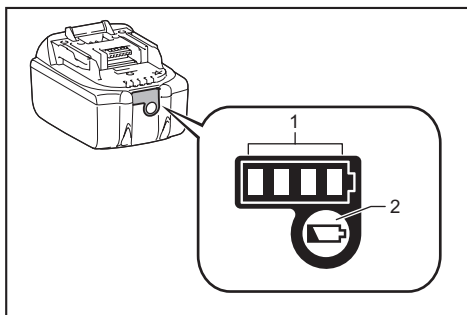
- Para instalar el cartucho de batería, alinee la lengüeta en el cartucho de batería con la ranura en la carcasa y deslícela a su lugar. Siempre insértela hasta que encaje en su sitio con un pequeño clic.
- Si puede ver el indicador rojo en la parte superior del botón, no está ajustada completamente. Instálela completamente hasta que el indicador rojo no se pueda ver. De lo contrario, podría caerse accidentalmente de la herramienta, lesionándole a usted o a alguien a su alrededor.
- No use la fuerza al insertar el cartucho de batería. Si el cartucho no se desliza fácilmente es que no se está insertando correctamente.
- Para retirar el cartucho de batería, deslícelo de la herramienta mientras presiona el botón en la parte frontal del cartucho.

### Nota:

Cuando el altavoz está en batería baja, el LED central parpadeará en rojo.

## Indicaciones de la batería restante











*Solo para cartuchos de batería que tengan una "B" al final del número de modelo*









- 1. Luces indicadoras 2. Botón de comprobación

Presione el botón en el cartucho de batería para mostrar la batería restante. Las luces indicadoras se encenderán por unos segundos.

## 18V batería

Luces indicadoras			Capacidad restante
 Iluminado	 Apagado	 Parpadeando	
			del 75% al 100%
			del 50% al 75%
			del 25% al 50%
			del 0% al 25%
			Cargue la batería
 			La batería puede haber funcionado mal

## 10,8V-12Vmax batería

Luces indicadoras		Capacidad restante
 Iluminado	 Apagado	
		del 75% al 100%
		del 50% al 75%
		del 25% al 50%
		del 0% al 25%

**NOTA:** Dependiendo de las condiciones de uso y de la temperatura ambiente, la indicación puede diferir ligeramente de la capacidad real.

## Usando el adaptador de CA suministrado (Fig. 5)

Retire el protector de goma e inserte la clavija del adaptador en la toma de CC en la parte derecha del altavoz. Enchufe el adaptador a una toma de corriente estándar. Cuando el adaptador se usa, la batería se desconecta automáticamente. Cuando no lo use, el adaptador de CA debe ser desconectado de la alimentación principal.

### IMPORTANTE:

El adaptador de corriente se emplea como medio de desconexión de la radio de la toma de alimentación. La toma de alimentación usada con la radio deberá permanecer accesible durante su uso. Para desconectar completamente la radio de la red de suministro, el adaptador deberá ser desenchufado.

## Toma de corriente USB

Esta toma puede usarse para cargar un teléfono móvil o cualquier otro dispositivo que use menos de 2.1 A de CC. Solo se cargará cuando el altavoz esté encendido.

**Nota:** Asegúrese de que la especificación de su dispositivo externo como un teléfono móvil, reproductor de mp3 o iPod es compatible con el altavoz. Lea el manual de instrucciones de su dispositivo externo antes de cargar.

### IMPORTANTE:


- Antes de conectar el dispositivo USB al cargador, haga siempre una copia de seguridad de los datos del dispositivo USB. De lo contrario, su información podría perderse.
- El cargador puede que no suministre energía a algunos dispositivos USB.
- Cuando no lo use, o tras cargar, retire el cable USB y cierre la cubierta.
- No conecte la fuente de alimentación al puerto USB. De lo contrario puede haber riesgo de fuego. El puerto USB es solo para cargar dispositivos de bajo voltaje. Cuando no esté cargando el dispositivo de bajo voltaje, coloque siempre la cubierta en el puerto USB.
- No inserte un clavo, cable, etc. en el puerto de alimentación USB. De lo contrario, un cortocircuito podría causar humo y fuego.
- No conecte esta toma USB al puerto USB del PC, ya que es muy probable que esto pueda causar daños en las unidades.

## Emparejamiento y conexión de un dispositivo al altavoz

Tendrá que emparejar su dispositivo Bluetooth con su XRM08 antes de poder autoenlazar para reproducir / transmitir música de Bluetooth mediante su altavoz con Bluetooth. El emparejamiento creará un 'vínculo' de modo que ambos dispositivos se reconozcan entre ellos.

Para tener la mejor calidad de sonido, se recomienda ajustar el volumen a un nivel mayor de dos tercios del nivel máximo del dispositivo Bluetooth y a continuación, ajustar el volumen en el altavoz como desee.

## Emparejamiento y reproducción de su dispositivo Bluetooth por vez primera

1. Presione el Botón de encendido  para encender el altavoz y el Indicador de Bluetooth parpadeará en azul. El indicador parpadeará rápido en azul para indicar que el altavoz es reconocible.
2. Active el Bluetooth de su dispositivo según su manual del usuario para enlazar con el altavoz. Localice la lista de dispositivos Bluetooth y seleccione el que lleve por nombre 'XRM08.' Algunos dispositivos móviles (equipados con versiones de Bluetooth anteriores a la BT2.1), puede que sea necesario introducir la contraseña "0000".
3. Una vez conectado, se oirá un pitido y el indicador de Bluetooth permanecerá encendido en azul. Podrá seleccionar y reproducir música desde su dispositivo fuente. El volumen podrá ser ajustado desde su

dispositivo fuente o directamente desde el altavoz.

4. Use los controles de su dispositivo con función de Bluetooth o los del altavoz para reproducir / dejar en pausa y navegar por las pistas.

**Nota:**

1. Si dos dispositivos Bluetooth, vinculándose por primera vez, buscan el XRM08, este se mostrará disponible para ambos dispositivos. Sin embargo, si un dispositivo se enlaza con esta unidad primero, entonces el otro dispositivo Bluetooth no lo encontrará en la lista.
2. Si su dispositivo Bluetooth se desconecta temporalmente de su altavoz, entonces, deberá reconectar su dispositivo al altavoz de forma manual.
3. Si "XRM08" aparece en la lista de su dispositivo Bluetooth, pero no puede conectarse a él, borre el elemento de la lista y vincule de nuevo el dispositivo con el altavoz, siguiendo los pasos descritos anteriormente.
4. El alcance efectivo de uso entre el sistema y el dispositivo emparejado es de aproximadamente 10 metros (30 pies). Cualquier obstáculo interpuesto entre el sistema y el dispositivo podrá reducir el alcance operativo.
5. La capacidad de la conectividad Bluetooth podría variar dependiendo del dispositivo Bluetooth que se haya conectado. Por favor, consulte las especificaciones Bluetooth de su dispositivo antes de conectarlo a su radio. Puede que no todas las funciones estuvieran disponibles en algunos dispositivos Bluetooth.

## Reproducción de archivos de audio en el modo Bluetooth

Cuando haya conectado su altavoz con el dispositivo Bluetooth que haya elegido, ya podrá comenzar a reproducir su música usando los controles del dispositivo Bluetooth al que se haya conectado.

1. Una vez que la reproducción haya comenzado, ajuste el volumen al nivel deseado usando los botones de volumen en su altavoz o en su dispositivo Bluetooth. Cuando presione el botón de subir o bajar volumen, el indicador de volumen parpadeará rápidamente en rojo de forma intermitente. Si el indicador de luz muestra una luz roja continua, esto indica que el volumen está al máximo o al mínimo.
2. Use los controles en su dispositivo para reproducir, pausar y navegar por las pistas. De forma alternativa, controle la reproducción usando los botones Reproducir/pausar (), Pista siguiente (), Pista anterior (), en el altavoz..
3. Mantenga presionado el botón de Pista siguiente () o (), Pista anterior para avanzar rápidamente o rebobinar la pista actual. Suelte el botón cuando llegue al punto de la pista deseado.

**Nota:**

1. Que puede que no todos los reproductores o dispositivos respondan a todos los controles.
2. Algunos teléfonos móviles puede que se desconecten temporalmente de su altavoz al realizar o recibir llamadas. Algunos dispositivos puede que silencien temporalmente su transmisión de audio por Bluetooth

cuando reciben mensajes de texto, correos electrónicos o por otros motivos ajenos a la transmisión de audio. Ese comportamiento es una función del dispositivo conectado y no indica un fallo en su altavoz.

## Memoria del altavoz y reconexión de un dispositivo

XRM07 puede memorizar hasta 8 dispositivos emparejados. Cuando la memoria exceda esta cantidad, el primero de los dispositivos emparejados será sobrescrito.

Si su dispositivo Bluetooth hubiera sido emparejado con el altavoz anteriormente, la unidad memorizará su dispositivo Bluetooth e intentará reconectarse con el dispositivo de la memoria con el que se conectó por última vez. Si el último dispositivo con el que se conectó no estuviera disponible, el altavoz será reconocible.

## Desconexión de su dispositivo Bluetooth

Mantenga pulsado el botón de Bluetooth 2-3 segundos para desconectarse de su dispositivo Bluetooth. El indicador Bluetooth parpadeará en azul indicando que el altavoz es reconocible de nuevo para el emparejamiento.

## Reproducción de música por medio de la toma de entrada auxiliar

Para permitir que la unidad reciba una señal de audio de cualquier dispositivo que cuente con auriculares o salida de audio como un iPod, MP3 o reproductor de CD, el lateral derecho de la unidad está provisto con una toma de entrada auxiliar de 3,5 mm.

1. Conecte una fuente de audio estéreo o mono (por ejemplo, un iPod, MP3 o reproductor de CD) a la toma de audio auxiliar (marcada como "AUX") y el indicador de entrada de audio se volverá verde, indicando que el altavoz está en modo de entrada auxiliar.
2. Ajuste el volumen de su iPod, reproductor de MP3 o CD para garantizar una buena señal y después ajuste el volumen del altavoz a su gusto.
3. Para tener la mejor calidad de sonido, se recomienda ajustar el volumen a un nivel mayor de dos tercios del nivel máximo del dispositivo audio y a continuación, ajustar el volumen en el altavoz como desee.

**Nota:**

Cuando la toma Aux in esté conectada a un dispositivo de audio, la función de Bluetooth estará desactivada para minimizar el consumo de batería.

## MANTENIMIENTO

### ⚠ PRECAUCIÓN:

- Nunca use gasolina, bencina, diluyentes, alcohol o similares. Podría dar como resultado decoloración, deformaciones o roturas.

## Especificaciones

### Amplificador

Potencia de salida	10,8V:3,5W 18V:10W
Frecuencia de respuesta	50 Hz~20 kHz

### Entrada auxiliar

Sensibilidad de entrada	250 mVrms a 100 Hz
-------------------------	--------------------

### Altavoz

Altavoz principal	101,6 mm 8 ohm 10 W
Tweeter	36 mm 8 ohm 10 W

### Bluetooth

Versión Bluetooth	4.0
Perfiles Bluetooth	A2DP/SCMS-T/AVRCP
Potencia de transmisión	Bluetooth de clase 2
Alcance de transmisión	Máximo 10 m (varía en función de las condiciones de uso)
Codec compatible	SBC
Perfil Bluetooth compatible	A2DP

### General

Adaptador de corriente CA	CC en 12V 1.5 A, pin central positivo
Batería	10,8V-12Vmax/ 18 V
Peso	2,7KG(sin batería)

La compañía se reserva el derecho para modificar las especificaciones sin previo aviso.