

# Metalux AP Series

**DESCRIPTION**

WPLD series is a versatile LED wraparound series with a streamlined low profile design that displays uniform, soft light at up to 60% energy savings over fluorescent light sources. Mounting slots allow for installation directly into the junction box with 100° of rotational freedom. Available features include suspension mount with optional mounting kit, 93 CRI, dimming to 10%, and efficacy up to 114 lumens per watt.

The WPLD series is an excellent choice for light commercial, retail or residential applications. Ideal for new construction or simple fluorescent replacement in basements, kitchens, home office, garages, or bonus rooms.

<b>Catalog #</b>		<b>Type</b>
<b>Project</b>		
<b>Comments</b>		<b>Date</b>
<b>Prepared by</b>		

**SPECIFICATION FEATURES**

**Construction**

Housing consists of cold rolled steel with emboss for extra rigidity. Post painted with reflective, baked-on white enamel using pretreated metal to ensure maximum adhesion. High-impact plastic end caps provide an improved aesthetic finish.

**Shielding**

Smooth white lens provides uniform, glare-free output up to 4600 lumens. Equivalent to a 2-lamp fluorescent T8 wrap.

**Installation**

Mounting slots for easy wire connection within junction box. Suitable for single surface or suspension mount applications.

**Electrical**

Long-Life LED and driver electrical system delivers superior performance and efficacy up to 115 lm/W. Optional 93 CRI LED's in 3000K or 4000K for more accurate color rendering. The WPLD series offers 10-100% Phase cut or 0-10V dimming.

**Compliance**

cULus 1598 listed for damp locations. Energy Star Certified for 120V versions. Meets FCC part 15 class B requirements. Complies with IESNA LM-79 and LM-80 standards. RoHS compliant. DesignLights Consortium® Qualified and classified for DLC Standard, refer to [www.designlights.org](http://www.designlights.org) for details. Suitable for use in clothes closets when installed in accordance with the NEC 410.16 spacing requirements.

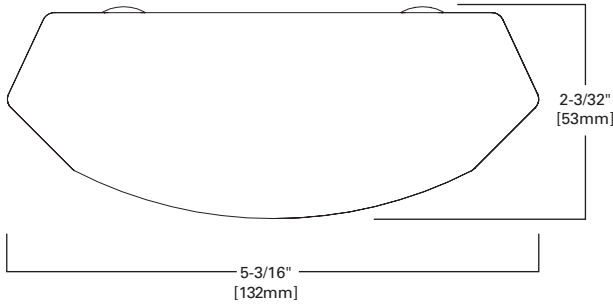
**Warranty**

Five-year comprehensive fixture warranty. Projected LED life of 50,000 hours at 70% lumen output.

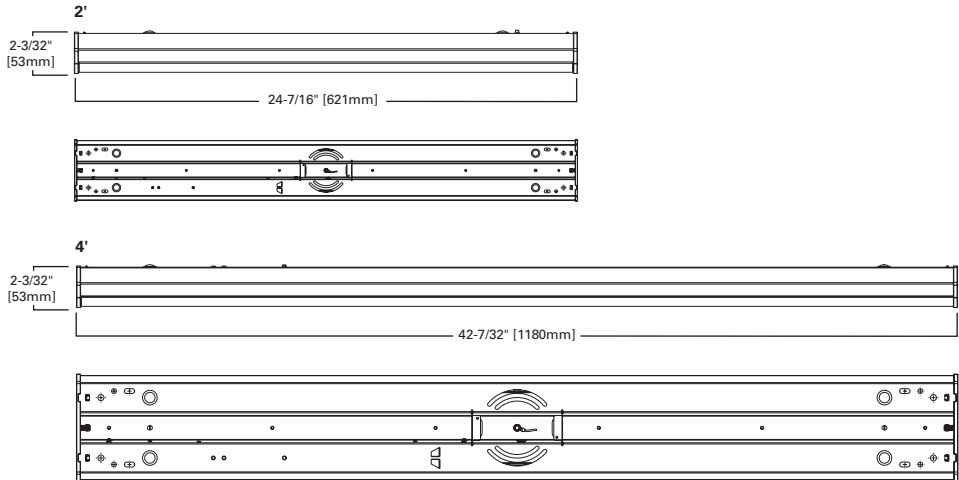


**WPLD**

Low profile LED Wraparound



**DIMENSION AND MOUNTING DATA**



**LOAD DATA**

	2'	4'
PF	0.99	0.99
THD%	13	14
Weight	3.4	5.8
Low Temp Start	-20C	-20C



## ORDERING INFORMATION

Catalog #	UPC	CCT (K)	CRI (Min)	Delivered lumens	Watts	Efficacy lm/W	Dimming controls	Input current (A)	
								120V	277V
2WPLD2035R	080083785384	3500	80	2645	23	115	Phase cut	0.19	
4WPLD4035R	080083785391	3500	80	4577	43	107	Phase cut	0.35	
2WPLD2040R	080083750627	4000	80	2623	24	110	Phase cut	0.20	
4WPLD2340R	080083747474	4000	80	2639	24	110	Phase cut	0.20	
4WPLD3130R9	080083750634	3000	93	3210	37	88	Phase cut	0.31	
4WPLD3140R9	080083747467	4000	93	3422	36	94	Phase cut	0.30	
2WPLD2035C	080083750610	3500	80	2476	22	114	0-10V	0.18	0.08
4WPLD4035C	080083750603	3500	80	4460	39	113	0-10V	0.33	0.14
2WPLD2040C	080083801367	4000	80	2543	23	110	0-10V	0.19	0.08
4WPLD4040C	080083749676	4000	80	4603	42	110	0-10V	0.35	0.15

## ACCESSORIES

(Order Separately)

HBAYC-CHAIN/SET-U=(2) V-Hanger, 36 in. Chain, S-Hooks

Y-TOGGLE-30=30 in. Suspension Aircraft Cable Kit (specify if another length needed)

2WPLDLNS=2 ft. Replacement Lens

4WPLDLNS=4 ft. Replacement Lens

## SHIPPING DATA

Catalog Base	Wt.	Units per Pallet
2WPLD	3.4 lbs.	144
4WPLD	5.9 lbs.	72