

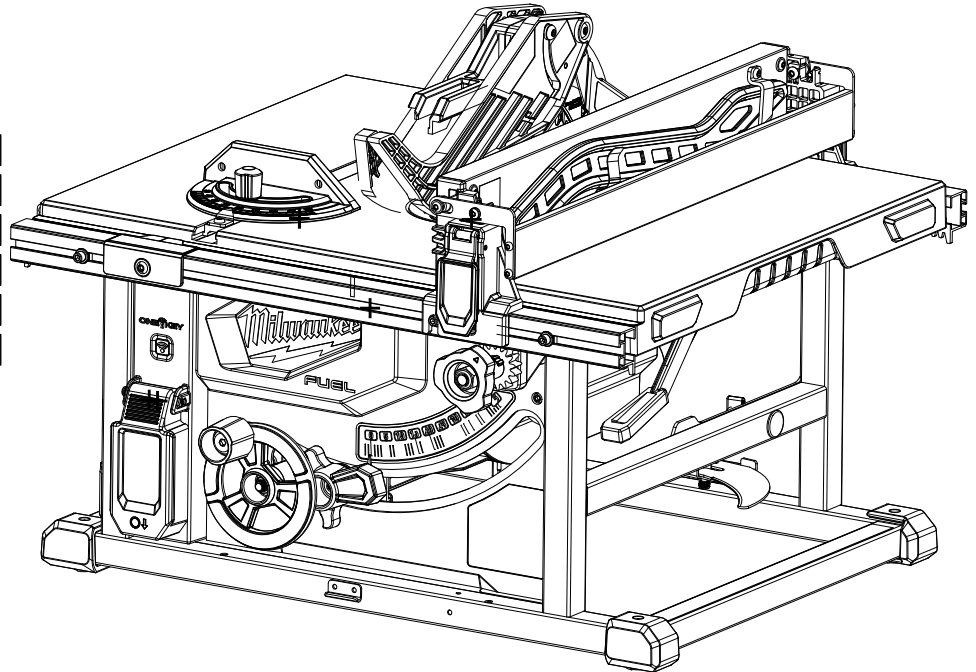


SERVICE PARTS LIST

BULLETIN NO.
54-00-2736

SPECIFY CATALOG NO. AND SERIAL NO. WHEN ORDERING PARTS		REVISED BULLETIN	DATE
M18™ FUEL™ ONE KEY 8.25" TABLE SAW			Sept. 2018
CATALOG NO.	2736-20	SERIAL NUMBER	J35A
WIRING INSTRUCTION			

TABLE TOP and RAIL ASSY.	Page 2
FRAME and PANEL ASSY.	Page 3
DUST COLLECTION ASSY.	Page 4
GEARCASE and MOTOR ASSY.	Page 5
ATTACHMENTS/ACCESSORIES	Page 6
TORQUE SPECIFICATIONS	Page 7



Electronics Servicing for Milwaukee Electric Tool ONE KEY Products **can only be performed at this**
Milwaukee factory Central Repair Center:

MILWAUKEE ELECTRIC TOOL Central Repair
1013 Sycamore Avenue • Greenwood, MS 38930-7277

Please send your tool directly to this location for service.

Or

Via e-Service at: www.milwaukeetool.com/e-service
questions, please call 1.800.SAWDUST (1.800.729.3878)

Or

Return it to a MILWAUKEE *factory* Service Center location, freight prepaid and insured.
A copy of the proof of purchase should be included with the return product.

If you have questions please contact Milwaukee Product Service at:

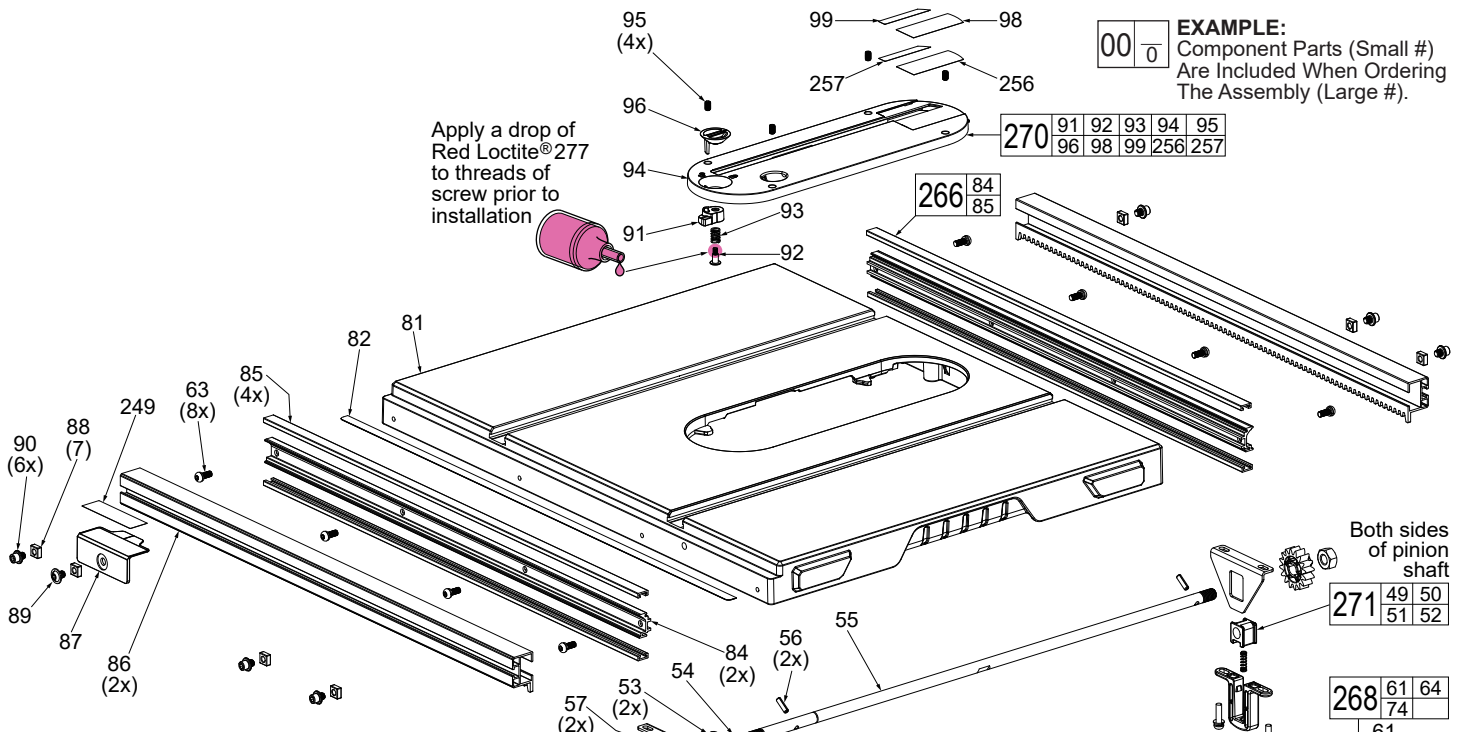
Product Technical Support via phone at: 262.783.8642

Or

Via email at: METProductSupport@milwaukeetool.com

Disassembly of electronics package is not recommended and could void the warranty.

TABLE TOP and RAIL ASSEMBLY



EXAMPLE:
Component Parts (Small #)
Are Included When Ordering
The Assembly (Large #).

Apply a drop of
Red Loctite® 277
to threads of
screw prior to
installation

LUBRICATION

● = 277 Red Loctite®, 44-22-0325

FIG.	PART NO.	DESCRIPTION OF PART	NO REQ.
47	06-55-0005	M10 Hex Nut with Nylon	(2)
48	43-98-0013	Fence Pinion Knob	(1)
49	42-40-0002	Fence Pinion Bushing	(2)
50	40-50-0121	Spring	(2)
51	42-36-0016	Fence Pinion Bushing Bracket	(2)
52	06-82-0072	M5 x 20mm Pan Hd. Sems T-25 w/Nylok	(4)
53	45-88-0008	Washer	(2)
54	34-60-0013	E-Ring	(1)
55	45-08-0001	Fence Pinion Shaft	(1)
56	44-60-0101	Spring Pin	(2)
57	45-60-0011	Fence Pinion Bearing Support	(2)
58	32-60-0011	Fence Pinion	(2)
59	45-88-0009	Washer	(4)
60	40-50-0131	Spring	(2)
61	-----	Latching Shaft	(1)
62	42-68-0012	Clamping Plate	(2)
63	06-82-0074	M5 x 13mm Pan Hd. Sems T-25 w/Nylok	(16)
64	-----	Latching Adjustment Shaft	(1)
65	06-55-0011	M6 Hex Nut	(1)
66	44-40-0011	Latching Adjustment Nut	(1)
67	-----	Spring Pin	(2)
68	-----	Latching Shaft and Plate	(1)
69	43-62-0011	Fence Lock Handle	(1)
70	45-88-0043	Washer	(1)
71	06-55-0006	M5 Hex Nut w/ Nylon	(1)
72	42-68-0013	Clamping Plate	(2)
73	-----	Latching Plate	(1)
74	-----	Rivet	(3)
75	45-88-0044	Washer	(2)
76	40-50-0139	Spring	(1)
77	-----	Latching Spring Shaft	(1)
78	-----	Latching Plate	(1)
79	-----	Rivet	(1)
80	-----	Latching Shaft	(1)
81	45-64-0005	Table Top	(1)
82	43-82-0010	Fence Ruler	(1)
84	-----	Fence Rail Mount	(2)

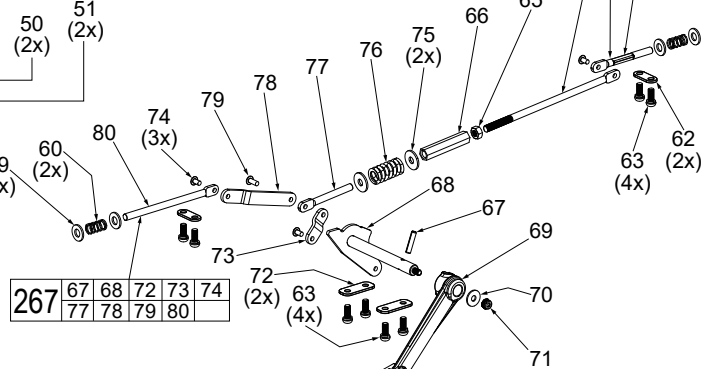


FIG.	PART NO.	DESCRIPTION OF PART	NO REQ.
85	-----	Fence Rail Cushion	(4)
86	44-81-0011	Sliding Fence Rail	(2)
87	43-82-0011	Fence Length Indicator	(1)
88	06-54-0010	M6 Square Nut	(7)
89	06-75-0011	M6 x 8mm Pan Hd. Washer Screw, S4	(1)
90	06-75-0022	M6 x 6mm CWH Machine Screw, S4	(6)
91	42-50-0011	Throat Plate Cam	(1)
92	05-89-0010	M4 x 14mm PWH T-20 Tapt. Screw	(1)
93	40-50-0141	Spring	(1)
94	44-66-0042	Throat Plate	(1)
95	06-83-0011	M5 x 8mm Set Screw, S2.5	(4)
96	43-98-0021	Throat Plate Attachment Knob	(1)
98	-----	Large Throat Plate Insert	(1)
99	-----	Small Throat Plate Insert	(1)
249	10-20-9007	Fence Length Indicator Label	(1)
256	-----	Double Sided Tape for Large Insert	(1)
257	-----	Double Sided Tape for Small Insert	(1)
266	44-81-0012	Mounting Rail Kit	(2)
267	44-20-0019	Fence Extension Latching Assembly 1	(1)
268	44-20-0022	Fence Extension Latching Assembly 2	(1)
270	14-67-0015	Throat Plate Assembly	(1)
271	14-86-0010	Fence Pinion Bushing Assembly	(2)

FRAME and PANEL ASSEMBLY

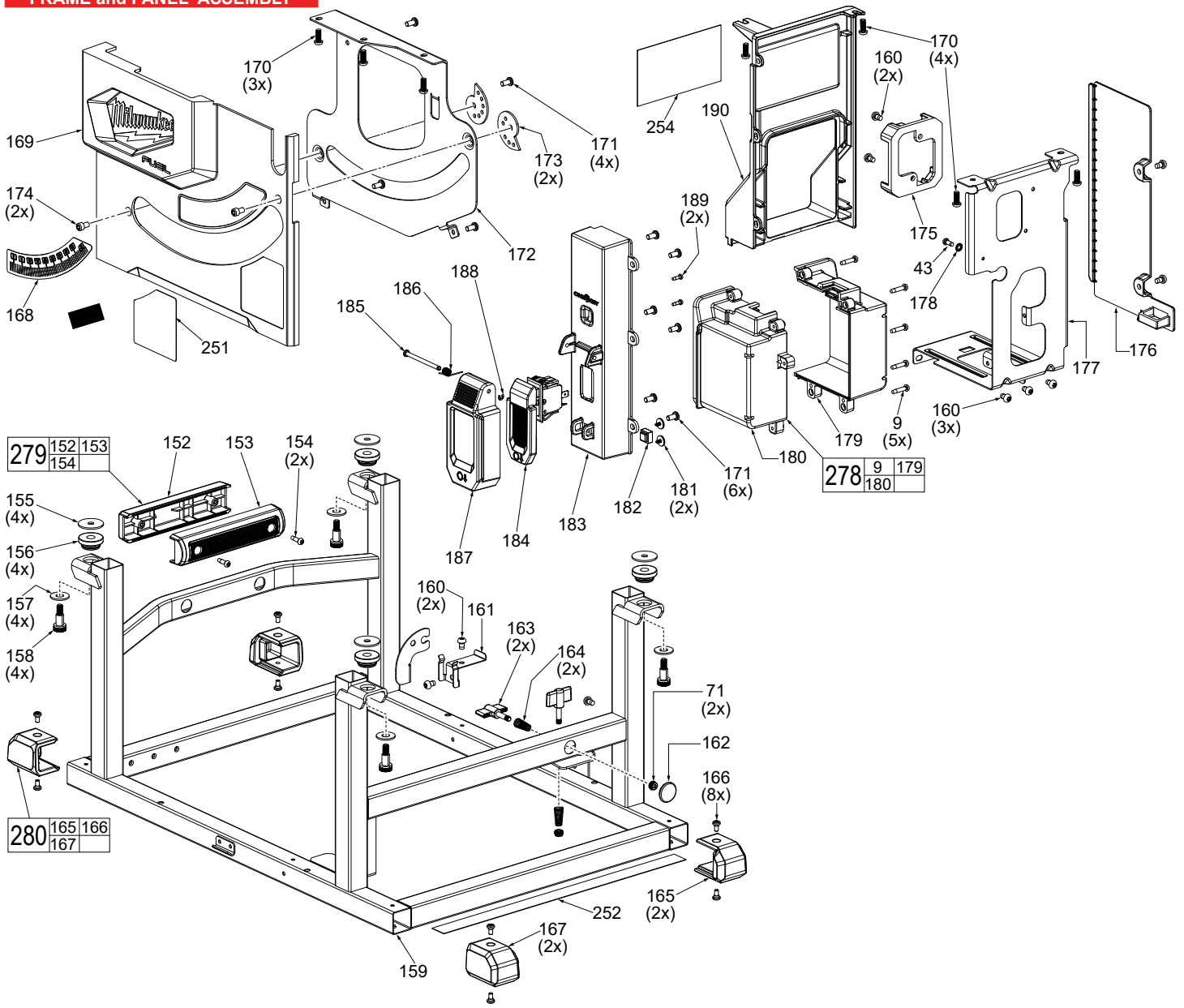
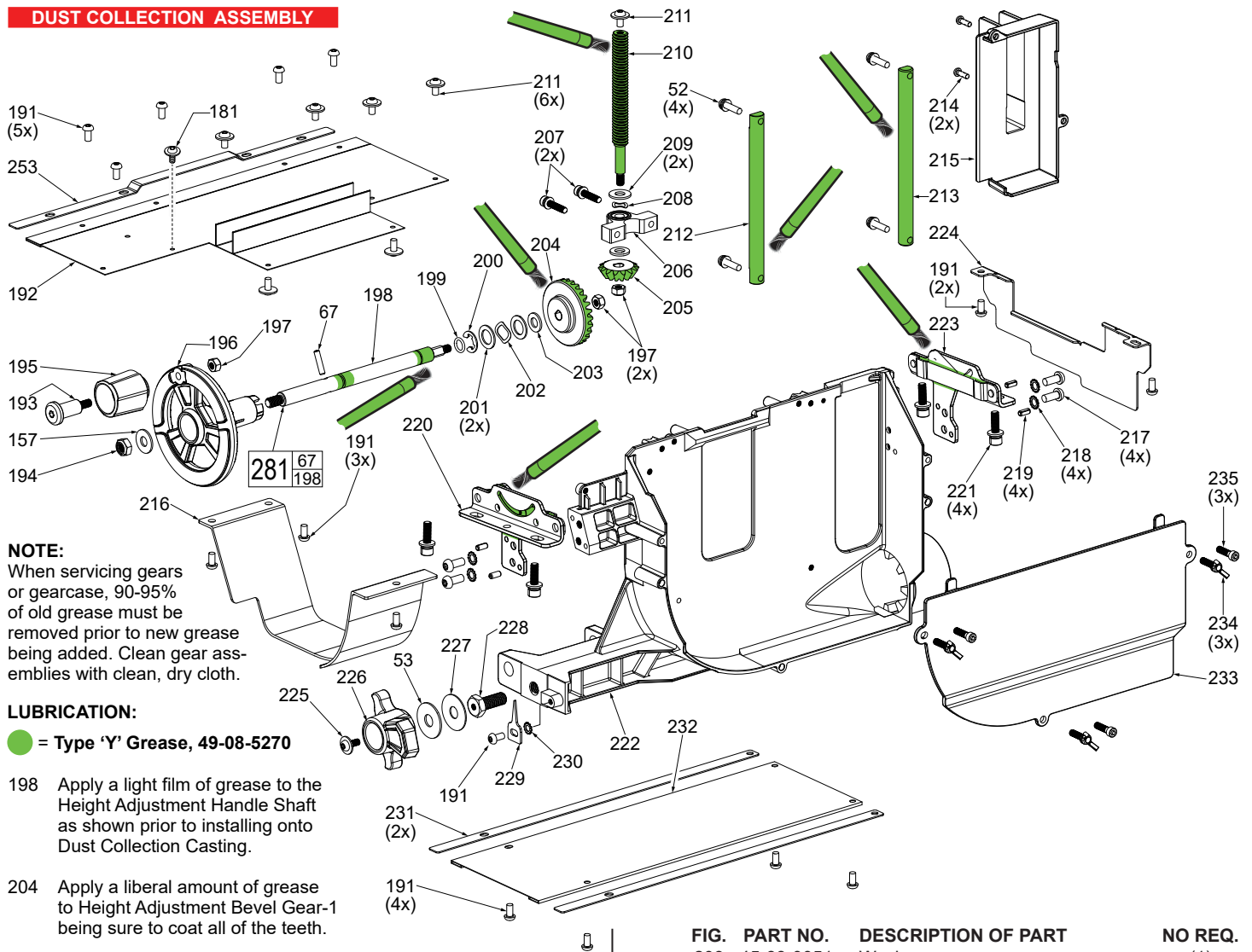


FIG.	PART NO.	DESCRIPTION OF PART	NO REQ.
	9	M4 x 18mm Pan Hd. ST T-20 Screw	(5)
	43	M4 x 10mm Pan Hd. ST T-20 Screw	(1)
	71	M5 Hex Nut with Nylon	(2)
	152	Handle Halve A	(1)
	153	Handle Halve B	(1)
	154	M4 x 13.5mm Pan Hd. ST T-20 Screw	(2)
	155	Washer	(4)
	156	Rubber Bushing	(4)
	157	Washer	(4)
	158	M6 x 11mm Cap Hd. Machine Screw, S5	(4)
	159	Frame	(1)
	160	M5 x 8mm Pan Hd. Tapt. T-25 Screw	(7)
	161	Miter Gauge Clip	(1)
	162	16mm Plug	(1)
	163	Tool-Less Lever	(2)
	164	Spring	(2)
	165	Foot Cover A	(2)
	166	M4 x 6mm Pan Hd. Tapt. T-20 Screw	(8)
	167	Foot Cover B	(2)
	168	Bevel Angle Label	(1)
	169	Front Cover Panel	(1)
	170	M5 x 13mm Pan Hd. T-25 Mach. Screw	(7)
	171	M5 x 10mm Pan Hd. ST T-20 Screw	(10)
	172	Bevel Plate	(1)
	173	Bevel Adjustment Cam	(2)
	174	M5 x 8mm Cap Washer Hd. Screw, S4	(2)
	175	Relay Carrier	(1)
	176	Electronic Cover	(1)

FIG.	PART NO.	DESCRIPTION OF PART	NO REQ.
	177	Battery Plate	(1)
	178	External Tooth Spring Washer	(1)
	179	Battery Housing Mount-Left	(1)
	180	Battery Housing Mount-Right	(1)
	181	M3 x 6mm ST Screw	(2)
	182	Magnet, Table Saw Switch Panel	(1)
	183	Switch Panel	(1)
	184	Switch	(1)
	185	Pin	(1)
	186	Switch Cover Spring	(1)
	187	Switch Cover	(1)
	188	E-Ring	(1)
	189	M3 x 10mm Pan Hd. ST T-10 Screw	(2)
	190	Side Cover Panel	(1)
	251	Front Panel Label	(1)
	252	Frame Label	(1)
	254	Service Nameplate	(1)
	278	Battery Housing Mount Kit	(1)
	279	Handle Kit	(1)
	280	Foot Cover Kit	(1)

DUST COLLECTION ASSEMBLY



NOTE:
When servicing gears or gearcase, 90-95% of old grease must be removed prior to new grease being added. Clean gear assemblies with clean, dry cloth.

LUBRICATION:

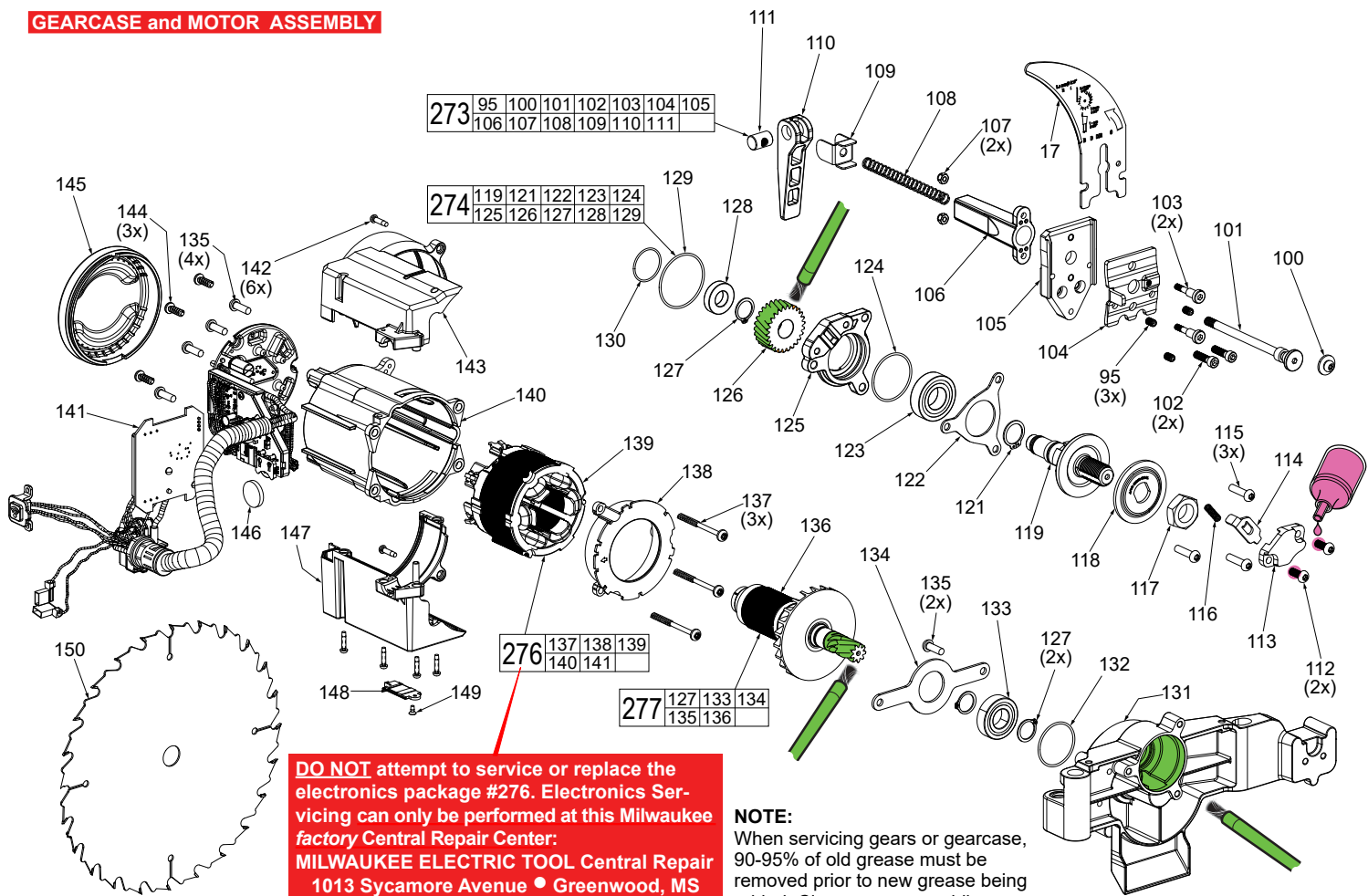
● = Type 'Y' Grease, 49-08-5270

- 198 Apply a light film of grease to the Height Adjustment Handle Shaft as shown prior to installing onto Dust Collection Casting.
- 204 Apply a liberal amount of grease to the Height Adjustment Bevel Gear-1 being sure to coat all of the teeth.
- 205 Apply a liberal amount of grease to the Height Adjustment Bevel Gear-2, being sure to coat all of the teeth.
- 210 Apply a light coat of grease to the threads and shaft of the Height Adjustment Screw.
- 212 Place a light film of grease to entire Height Adjustment Shaft-A.
- 213 Place a light film of grease to entire Height Adjustment Shaft-B.
- 220 Place a light coat of grease to the contact areas within the channel of the Front Bevel Mechanism.
- 223 Place a light coat of grease to the contact areas within the channel of the Back Bevel Mechanism.

FIG.	PART NO.	DESCRIPTION OF PART	NO REQ.
52	06-82-0072	M5 x 20mm Pan Hd. Sems T-25 Screw	(4)
53	45-88-0008	Washer	(1)
67	-----	Spring Pin	(1)
157	45-88-0047	Washer	(1)
181	06-82-0103	M3 x 6mm ST Screw	(1)
191	06-82-0108	M5 x 10mm Pan Hd. T-25 Mach. Screw	(15)
192	42-92-0021	Cloth Dust Cover-2	(1)
193	05-89-0012	M6 x 13mm CH Mach. Screw, S5	(1)
194	06-55-0008	M8 Hex Nut with Nylon	(1)
195	43-98-0019	Height Adjustment Knob	(1)
196	45-94-0011	Height Adjustment Disk	(1)
197	06-55-0012	M6 Hex Nut with Nylon	(3)
198	-----	Height Adjustment Handle Shaft	(1)
199	34-40-0106	O-Ring	(1)
200	34-60-0019	E-Ring	(1)
201	45-88-0048	Washer	(2)
202	45-88-0049	Wave Washer	(1)

FIG.	PART NO.	DESCRIPTION OF PART	NO REQ.
203	45-88-0051	Washer	(1)
204	32-05-0012	Height Adjustment Bevel Gear-1	(1)
205	32-05-0013	Height Adjustment Bevel Gear-2	(1)
206	42-28-0011	Height Adjustment Block	(1)
207	06-75-0027	M5 x 24mm Cap Hd. Sems Screw, S4	(2)
208	45-88-0059	Wave Washer	(1)
209	45-88-0060	Washer	(1)
210	45-04-0011	Height Adjustment Screw	(1)
211	06-82-0111	M5 x 10mm Pan Hd. T-25 Sems Screw	(7)
212	45-08-0011	Height Adjustment Shaft-A	(1)
213	45-08-0012	Height Adjustment Shaft-B	(1)
214	06-82-0113	M4 x 12mm Pan Hd. T-20 Mach. Screw	(2)
215	42-92-0023	Riving Knife Dust Cover	(1)
216	42-92-0022	Front Dust Cover	(1)
217	06-82-0107	M6 x 14mm Pan Hd. T-25 Mach. Screw	(4)
218	05-91-0010	External Tooth Spring Washer	(4)
219	44-60-0092	Spring Pin	(4)
220	14-04-0005	Front Bevel Mechanism Assembly	(1)
221	06-75-0031	M6 x 21.5mm Cap Hd. Sems, S5	(4)
222	28-50-0011	Dust Collection Casting	(1)
223	14-04-0035	Back Bevel Mechanism Assembly	(1)
224	42-92-0024	Back Dust Cover	(1)
225	06-82-0109	M5 x 13mm Pan Hd. Sems T-25 Screw	(1)
226	31-44-0122	Bevel Handle	(1)
227	45-88-0065	Washer	(1)
228	05-77-0011	M10 x 25mm Hex Machine Screw, M5	(1)
229	44-72-0015	Bevel Indicator	(1)
230	05-91-0015	External Tooth Spring Washer	(1)
231	44-66-0068	Dust Cloth Insert Plate	(2)
232	42-92-0026	Cloth Dust Cover-1	(1)
233	42-92-0027	Dust Collection Cover	(1)
234	05-77-0012	M5 x 16mm Wing Screw	(3)
235	06-75-0029	M5 x 18mm Cap Hd. Mach. Screw, S4	(3)
253	44-66-0069	Dust Cloth Insert Plate-2	(1)
281	45-08-0013	Height Adjustment Handle Shaft Assy.	(1)

GEARCASE and MOTOR ASSEMBLY



DO NOT attempt to service or replace the electronics package #276. Electronics Servicing can only be performed at this Milwaukee factory Central Repair Center: MILWAUKEE ELECTRIC TOOL Central Repair 1013 Sycamore Avenue • Greenwood, MS 38930-7277

NOTE: When servicing gears or gearcase, 90-95% of old grease must be removed prior to new grease being added. Clean gear assemblies with clean, dry cloth.

FIG.	PART NO.	DESCRIPTION OF PART	NO REQ.
17	43-97-0010	Riving Knife	(1)
95	06-83-0011	M5 x 8mm Set Screw, S2.5	(3)
100	-----	M4 x 8mm Pan Hd. T-20 Sems Screw	(1)
101	-----	Stem	(1)
102	-----	M5 x 16mm Cap Hd. Mach. Screw, S4	(2)
103	-----	M4 x 22.5mm Cap Hd. Mach. Screw, S4	(2)
104	-----	Bowed Retainer	(1)
105	-----	Riving Knife Attachment Plate	(1)
106	-----	Spring Sleeve	(1)
107	-----	M4 Hex Nut with Nylon	(2)
108	-----	Spring	(1)
109	-----	Anyi-Rotating Washer	(1)
110	-----	Riving Knife Clamp Handle	(1)
111	-----	Handle Shaft	(1)
112	06-82-0076	M5 x 13mm Pan Hd. T-25 Mach. Screw	(2)
113	44-66-0043	Blade Change Outer Plate	(1)
114	44-66-0044	Blade Locking Plate	(1)
115	06-82-0078	M5 x 20mm Pan Hd. T-25 Mach. Screw	(3)
116	40-50-0146	Spring	(1)
117	06-55-0007	5/8-18 UNF RH Hex Nut	(1)
118	43-34-0011	Outer Flange Washer	(1)
119	-----	Blade Shaft	(1)
121	-----	Retaining Ring	(1)
122	-----	Gearcase Bearing Plate	(1)
123	-----	Sealed Bearing	(1)
124	-----	O-Ring	(1)
125	-----	Gearcase Cap	(1)
126	-----	Helical Gear	(1)
127	-----	Retaining Ring	(3)
128	-----	Sealed Bearing	(1)
129	34-40-0101	O-Ring	(1)
130	34-40-0103	O-Ring	(1)
131	28-14-0006	Gearcase	(1)
132	34-40-0104	O-Ring	(1)
133	-----	Sealed Bearing	(1)
134	-----	Motor Bearing Plate	(1)
135	06-82-0081	M5 x 15mm Pan Hd. T-25 Mach. Screw	(6)
136	-----	Rotor	(1)

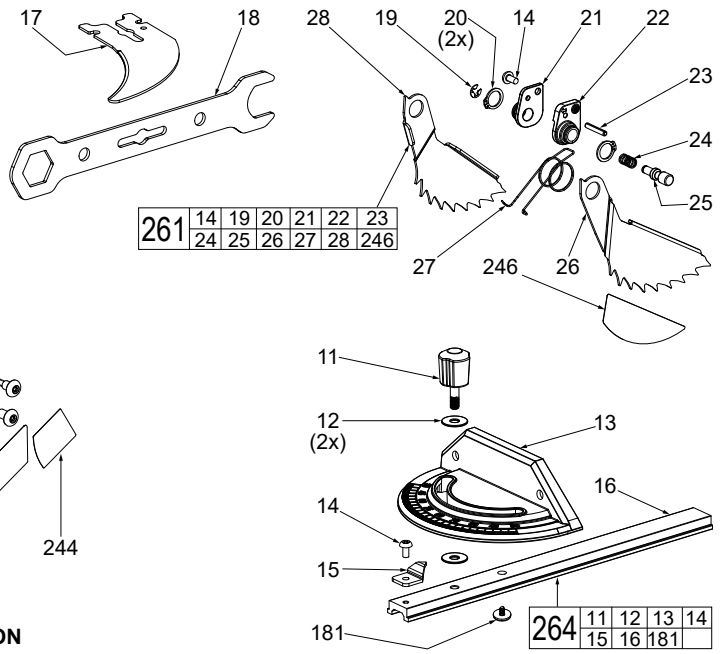
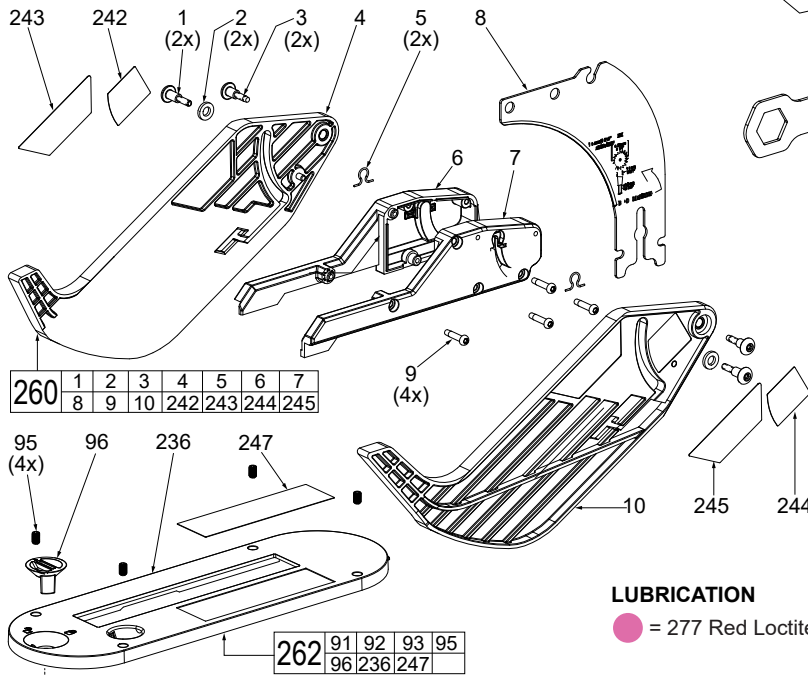
LUBRICATION:

- = Type 'Y' Grease, 49-08-5270
- = 277 Red Loctite® 44-22-0325

- 112 Apply a drop of Red Loctite 277 to the threads of screws prior to installing on Blade Change Outer Plate.
- 126 Place a liberal amount of grease to the Helical Gear being sure to coat all gear teeth.
- 131 Place a heavy coat of grease in the gear cavity of Gearcase.
- 136 Apply a liberal amount of grease to the Pinion Gear of the Rotor Assembly, being sure to cover all gear teeth.

FIG.	PART NO.	DESCRIPTION OF PART	NO REQ.
137	-----	M4.5 x 22mm Pan Hd. T-20 Screw	(3)
138	-----	Fan Baffle	(1)
139	-----	Stator	(1)
140	-----	Motor Housing	(1)
141	-----	PCBA	(1)
142	06-82-0083	M3.5 x 14mm Pan Hd. ST T-10 Screw	(6)
143	31-50-0011	Top Motor Cover	(1)
144	06-82-0087	M4.5 x 14mm Pan Hd. ST T-20 Screw	(3)
145	42-52-0018	Motor End Cap	(1)
146	50-11-0020	Coin Cell Battery (CR-2032N/BN)	(1)
147	31-50-0012	Bottom Motor Cover	(1)
148	31-21-0011	One-Key Battery Cover	(1)
149	06-82-0089	M2.6 x 6mm Pan Hd. ST Phillips Screw	(1)
150	42-26-0011	8.25" Blade	(1)
273	42-68-0014	Riving Knife Clamp Assembly	(1)
274	14-30-0031	Blade Shaft with Gearcase Cap Assy.	(1)
276	-----	Electronics Assembly	(1)
277	16-07-0010	Rotor Assembly	(1)

TABLE SAW ATTACHMENTS / ACCESSORIES



LUBRICATION

● = 277 Red Loctite® 44-22-0325

Apply a drop of Red Loctite® 277 to threads of screw

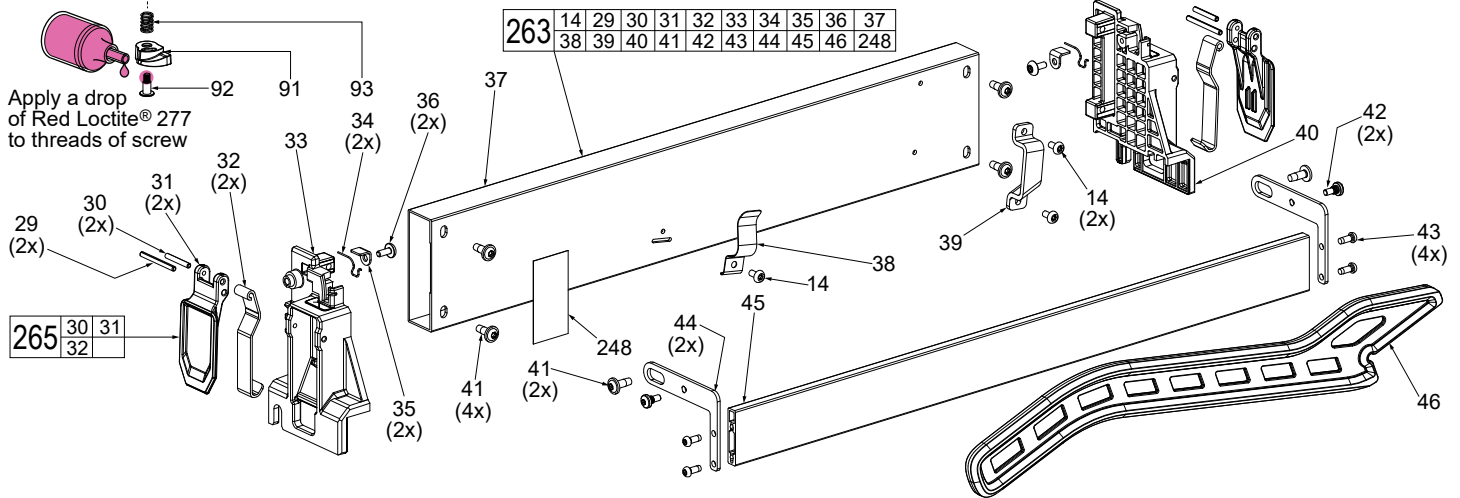


FIG.	PART NO.	DESCRIPTION OF PART	NO REQ.
1	-----	M4 x 12mm Pan Hd. ST T-20 Screw	(2)
2	-----	Flat Washer	(2)
3	-----	M4 x 12mm Pan Hd. ST T-20 Screw	(2)
4	-----	Left Blade Guard Wing	(1)
5	-----	Spring Clip	(2)
6	-----	Blade Guard Base-Right	(1)
7	-----	Blade Guard Base-Left	(1)
8	-----	Extended Riving Knife	(1)
9	-----	M4 x 18mm Pan Hd. ST T-20 Screw	(4)
10	-----	Right Blade Guard Wing	(1)
11	-----	Miter Gauge Knob	(1)
12	-----	Washer	(2)
13	-----	Miter Gauge	(1)
14	06-82-0056	M4 x 8mm Pan Hd. T-20 Mach. Screw	(5)
15	-----	Miter Gauge Indicator	(1)
16	-----	Miter Gauge Extrusion	(1)
17	43-97-0010	Riving Knife	(1)
18	45-96-0020	Wrench	(1)
19	-----	E-Ring	(1)
20	-----	Retaining Ring	(2)
21	-----	Anti-Kickback Pawl Bracket-Right Side	(1)
22	-----	Anti-Kickback Pawl Bracket-Left Side	(1)
23	-----	Spring Pin	(1)
24	-----	Spring	(1)
25	-----	Anti-Kickback Pawl Button	(1)
26	-----	Anti-Kickback Pawl-Left	(1)
27	40-50-0081	Spring	(1)
28	-----	Anti-Kickback Pawl-Right	(1)
29	44-60-0087	3 x 35mm Spring Pin	(2)
30	44-60-0088	3 x 24mm Spring Pin	(2)
31	44-20-0013	Fence Latching Handle	(2)
32	40-50-0098	Fence Latching Spring	(2)
33	42-52-0013	Right Fence Latching Cap	(1)

FIG.	PART NO.	DESCRIPTION OF PART	NO REQ.
34	40-50-0103	Spring	(2)
35	42-36-0012	Press Spring Bracket	(2)
36	05-81-0018	M4 x 10mm Pan Hd. Tapt. T-25 Screw	(2)
37	42-30-0005	Primary Fence Extrusion	(1)
38	40-50-0108	Push Stick Attachment Spring	(1)
39	42-36-0013	Push Stick Attachment Bracket	(1)
40	42-52-0015	Left Fence Latching Cap	(1)
41	05-81-0019	M5 x 13mm Pan Washer Hd. T-25 Scr.	(6)
42	05-81-0021	M5 x 4mm Pan Hd. T-20 Mach. Screw	(2)
43	05-81-0022	M4 x 10mm Pan Hd. Tapt. T-20 Screw	(4)
44	42-36-0014	Secondary Fence Bracket	(2)
45	42-30-0006	Secondary Fence Extrusion	(1)
46	43-72-0007	Push Stick	(1)
91	42-50-0011	Throat Plate Cam	(1)
92	05-89-0010	M4 x 14 Pan Washer Hd. T-20 Screw	(1)
93	40-50-0141	Spring	(1)
95	06-83-0011	M5 x 8mm Set Screw, S2.5	(4)
96	43-98-0021	Throat Plate Attachment Knob	(1)
181	06-82-0103	M3 x 6mm ST Screw	(1)
236	44-66-0046	Dado Throat Plate	(1)
242	10-20-9001	Blade Guard Wing Label-Left 1	(1)
243	10-20-9002	Blade Guard Wing Label-Left 2	(1)
244	10-20-9008	Blade Guard Wing Label-Right 3	(1)
245	10-20-9009	Blade Guard Wing Label-Right 4	(1)
246	10-20-9012	Anti Kickback Label	(1)
247	10-20-9011	Dado Throat Plate Label	(1)
248	10-20-9013	Fence Adjustment Label	(1)
260	14-32-0015	Blade Guard Wing Assembly	(1)
261	14-02-0005	Anti-Kickback Assembly	(1)
262	14-67-0010	Throat Plate (Dado) Assembly	(1)
263	28-35-0015	Fence Assembly	(2)
264	43-46-0015	Miter Gauge Assembly	(1)
265	44-20-0017	Fence Latching Handle and Spring Assy.	(2)

SCREW TORQUE SPECIFICATIONS

FIG.	PART NO.	DESCRIPTION OF FASTENER	WHERE USED	SEAT TORQUE	
				(KG/CM)	(IN/LBS)
TABLE TOP and RAIL ASSEMBLIES					
47	06-55-0005	M10 Hex Nut with Nylon	Fence Pinion Knob	30-35	26-30
52	06-82-0072	M5 x 20mm Pan Hd. Sems T-25 Nylok Screw	Fence Pinion Bushing Bracket	32-36	27-31
63	06-82-0074	M5 x 13mm Pan Hd. Sems T-25 Nylok Screw	Clamping Plate	32-36	27-31
65	06-55-0011	M6 Hex Nut	Latching Adjustment Shaft	80-85	69-73
71	06-55-0006	M5 Hex Nut with Nylon	Fence Lock Handle	13-18	11-15
89	06-75-0011	M6 x 8mm Pan Hd. Washer Screw, S4	Fence Length Indicator	10-15	8-13
90	06-75-0022	M6 x 6mm CWH Machine Screw, S4	Sliding Fence Rail	28-32	24-27
92	05-89-0010	M4 x 14mm PWH T-20 Taptite Screw	Throat Plate Cam	22-26	19-22
FRAME and PANEL ASSEMBLIES					
9	-----	M4 x 18mm Pan Hd. ST T-20 Screw	Battery Housing Mount-Left	10-15	8-13
43	05-81-0022	M4 x 10mm Pan Hd. ST T-20 Screw	Battery Plate	12-15	10-13
71	06-55-0006	M5 Hex Nut with Nylon	Tool-Less Lever	15-20	13-16
154	-----	M4 x 13.5mm Pan Hd. ST T-20 Screw	Handle Halve B	9-11	7-9
158	05-89-0011	M6 x 11mm Cap Hd. Machine Screw, S5	Frame	55-60	47-52
160	06-82-0093	M5 x 8mm Pan Hd. Taptite T-25 Screw	Miter Gage Clip	15-20	13-16
160	06-82-0093	M5 x 8mm Pan Hd. Taptite T-25 Screw	Electronic Cover	8-12	7-10
160	06-82-0093	M5 x 8mm Pan Hd. Taptite T-25 Screw	Relay Carrier	20-25	16-21
166	-----	M4 x 6mm Pan Hd. Taptite T-20 Screw	Foot Cover	15-20	13-16
170	06-82-0096	M5 x 13mm Pan Hd. T-25 Machine Screw	Bevel Plate, Battery Plate	35-40	30-34
170	06-82-0096	M5 x 13mm Pan Hd. T-25 Machine Screw	Side Cover Panel	7-9	6-7
171	06-82-0098	M5 x 10mm Pan Hd. ST T-20 Screw	Switch Panel, Bevel Adjustment Cam	7-9	6-7
174	06-82-0101	M5 x 8mm Cap Washer Head Screw, S4	Front Cover Panel	80-85	69-73
181	06-82-0103	M3 x 6mm ST Screw	Switch Panel	4-5	3-4
189	06-82-0106	M3 x 10mm Pan Hd. ST T-10 Screw	Switch Panel	4-5	3-4
DUST COLLECTION ASSEMBLY					
52	06-82-0072	M5 x 20mm Pan Hd. Sems T-25 Screw	Height Adjustment Shafts	35-40	30-34
181	06-82-0103	M3 x 6mm ST Screw	Cloth Dust Cover-2	6-7	5-6
191	06-82-0108	M5 x 10mm Pan Hd. T-25 Machine Screw	Cloth Dust Cover-2	14-17	12-14
191	06-82-0108	M5 x 10mm Pan Hd. T-25 Machine Screw	Front Dust Cover	8-10	7-8
191	06-82-0108	M5 x 10mm Pan Hd. T-25 Machine Screw	Bevel Indicator	20-25	16-21
191	06-82-0108	M5 x 10mm Pan Hd. T-25 Machine Screw	Cloth Dust Cover-1	20-25	16-21
191	06-82-0108	M5 x 10mm Pan Hd. T-25 Machine Screw	Back Dust Cover	30-34	26-29
193	05-89-0012	M6 x 13mmCH Machine Screw, S5	Height Adjustment Knob	20-25	16-21
194	06-55-0008	M8 Hex Nut with Nylon	Height Adjustment Disk	20-25	16-21
197	06-55-0012	M6 Hex Nut with Nylon	Height Adjustment Bevel Gears 1 & 2	20-26	16-22
207	06-75-0027	M5 x 24mm Cap Hd. Sems Screw, S4	Height Adjustment Block	35-40	30-34
211	06-82-0111	M5 x 10mm Pan Hd. T-25 Sems Screw	Cloth Dust Cover-2	14-17	12-14
211	06-82-0111	M5 x 10mm Pan Hd. T-25 Sems Screw	Height Adjustment Screw	20-26	16-22
214	06-82-0113	M4 x 12mm Pan Hd. T-20 Machine Screw	Riving Knife Dust Cover	6-7	5-6
217	06-82-0107	M6 x 14mm Pan Hd. T-25 Machine Screw	Front & Back Bevel Mechanism Assemblies	65-70	56-60
221	06-75-0031	M6 x 21.5mm Cap Hd. Sems, S5	Front & Back Bevel Mechanism Assemblies	90-100	78-86
225	06-82-0109	M5 x 13mm Pan Hd. Sems T-25 Screw	Bevel Handle	20-25	16-21
228	05-77-0011	M10 x 25mm Hex Machine Screw, M5	Dust Collection Casting	40-43	34-37
234	05-77-0012	M5 x 16mm Wing Screw	Dust Collection Cover	8-10	7-8
235	06-75-0029	M5 x 18mm Cap hd. Machine Screw, S4	Dust Collection Casting	8-10	7-8
GEARCASE and MOTOR ASSEMBLIES					
100	-----	M4 x 8mm Pan Hd. T-20 Sems Screw	Bowed Retainer	25-33	21-28
101	-----	Stem	Bowed Retainer	28-32	24-27
102	-----	M5 x 16mm Cap Hd. Machine Screw, S4	Bowed Retainer	30-36	26-31
103	-----	M4 x 22.5mm Cap Hd. Machine Screw, S4	Bowed Retainer	20-25	16-21
112	06-82-0076	M5 x 13mm Pan Hd. T-25 Machine Screw	Blade Change Outer Plate	40-45	34-39
115	06-82-0078	M5 x 20mm Pan Hd. T-25 Machine Screw	Gearcase Bearing Plate	35-40	30-34
117	06-55-0007	5/8-18 UNF RH Hex Nut	Blade Shaft	100-110	86-95
135	06-82-0081	M5 x 15mm Pan Hd. T-25 Machine Screw	Motor Bearing Plate	35-40	30-34
135	06-82-0081	M5 x 15mm Pan Hd. T-25 Machine Screw	PCBA	15-18	13-15
137	-----	M4.5 x 22mm Pan Hd. T-20 Screw	Fan Baffle, Stator	22-28	19-24
142	06-82-0083	M3.5 x 14mm Pan Hd. ST T-10 Screw	Top Motor Cover	8-10	7-8
144	06-82-0087	M4.5 x 14mm Pan Hd. ST T-20 Screw	Motor Housing	8-12	7-10
149	06-82-0089	M2.6 x 6mm Pan Hd. ST Phillips Screw	One-Key Battery Cover	2.5-3.5	2-3
TABLE SAW ATTACHMENTS and ACCESSORIES					
1	-----	M4 x 12mm Pan Hd. ST T-20 Screw	Left Blade Guard Wing	10-11	8-9
3	-----	M4 x 12mm Pan Hd. ST T-20 Screw	Left Blade Guard Wing	10-11	8-9
9	-----	M4 x 18mm Pan Hd. ST T-20 Screw	Blade Guard Base-Left	10-15	8-13
14	06-82-0056	M4 x 8mm Pan Hd. T-20 Machine Screw	Miter Gauge Indicator	15-18	13-15
14	06-82-0056	M4 x 8mm Pan Hd. T-20 Machine Screw	Anti-Kickback Pawl Bracket-Right Side	15-18	13-15
14	06-82-0056	M4 x 8mm Pan Hd. T-20 Machine Screw	Push Stick Attachment Spring & Bracket	10-14	8-12
36	05-81-0018	M4 x 10mm Pan Hd. Taptite T-25 Screw	Press Spring Bracket, Fence Latching Caps	14-18	12-15
41	05-81-0019	M5 x 13mm Pan Washer Hd. T-25 Screw	Primary Fence Extrusion, Fence Bracket	36-40	31-34
42	05-81-0021	M5 x 4mm Pan Hd. T-20 Machine Screw	Secondary Fence Bracket	18-23	15-19
43	05-81-0022	M4 x 10mm Pan Hd. Taptite T-20 Screw	Secondary Fence Bracket & Extrusion	18-23	15-19
92	05-89-0010	M4 x 14mm Pan Washer Hd. T-20 Screw	Throat Plate Cam	22-26	19-22
181	06-82-0103	M3 x 6mm ST Screw	Miter Gauge Extrusion	4-6	3-5