

DESCRIPTION

- Fixed mount showerhead
- Chrome finish
- 1/2" IPS connection

OPERATION

- 4 functions
- Rotate outer ring to select function

FLOW

- Designed to deliver 1.75 gpm (6.6 L/min) MAX at 80 psi
(for models manufactured after 3/1/18)
- Designed to deliver 2.0 gpm (7.6 L/min) MAX at 80 psi
(for models manufactured before 3/1/18)

STANDARDS

- Third party certified at Watersense®, ASME A112.18.1/ CSA B125.1 and all applicable requirements referenced therein
- Products marked with 1.75 gpm are compliant with California water efficiency regulations

WARRANTY

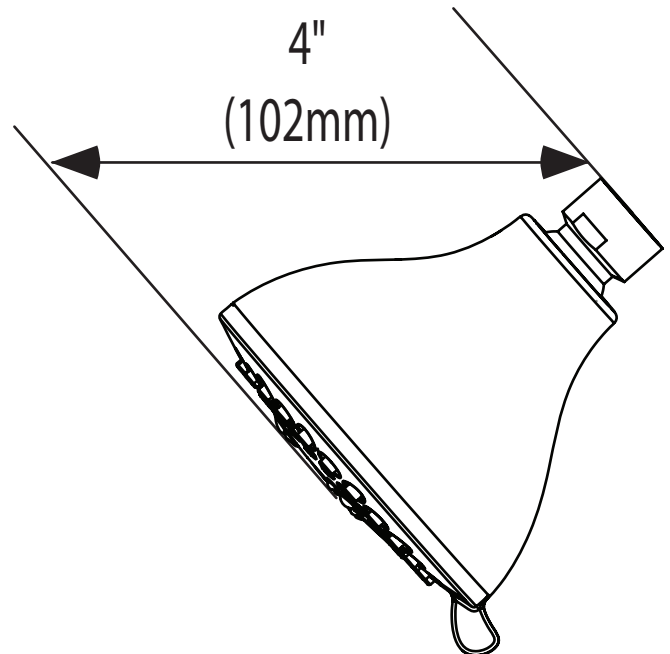
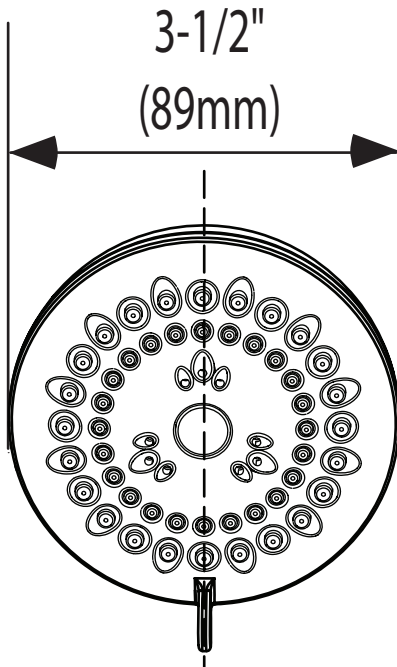
- Lifetime limited warranty against leaks, drips and finish defects to the original homeowner
- 10 year limited warranty when used in a multifamily installation
- 5 year limited warranty when used in a commercial installation

Visit www.moen.com/support for complete details and limitations



Alder™
4-Function Showerhead

Model: 23026



CRITICAL DIMENSIONS

(DO NOT SCALE)