

THE ORIGINAL



Mr. Heater[®]

PROPANE ACCESSORIES INSTALLATION GUIDE

HOSES



FITTINGS



REGULATORS



ACCESSORIES



HELPING YOU MAKE THE
RIGHT CONNECTION.



Thank you for choosing Mr. Heater quality hoses and fittings. The following information will help you through various connections for your high and low pressure appliances, using both disposable and refillable propane cylinders. Note: all Mr. Heater hoses and fittings are compatible with Century Primus, Coleman Co., Inc. and other common camping appliances.

How to Use This Information Guide

The sole purpose of this booklet is to assist you in making “the right connection” for those many outdoor camping and sporting applications.

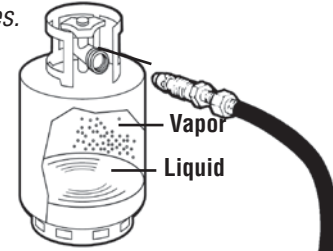
The adapter fittings and hoses illustrated are the most common and should serve as a basic guide for their safe use. Consult your specific appliance, hose and fitting instructions for information concerning your individual gas burning appliances and propane hoses and fittings.

Proper Care of Fittings and Hoses

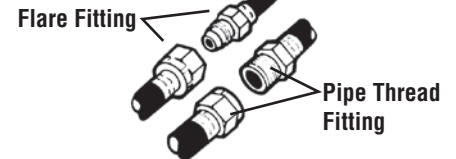
Fittings: Keep free of dirt.
Hoses: Keep foreign materials (dirt, leaves, etc.) out of hose opening. Keep away from open flames to avoid melting.

Propane and Its Safe Use

Propane gas is a heavy colorless gas with a distinct odor, and it is highly flammable. However, it is safe IF USED PROPERLY. Following the instructions in this booklet will assist you in the use of your propane fueled products.



Note: Teflon Tape or Pipe Dope approved for propane gas applications is necessary to seal Pipe Thread Fitting Only!



Glossary	
CSA (AGA)	Canadian Standards Association (Formerly: American Gas Association)
Backfire	Also called Flashback. The flash back of the flame through the venturi, causing burning at the orifice.
Burner	Device forming an integral unit for the introduction of propane with air or oxygen into the combustion zone for ignition.
Cylinder	With respect to propane storage, refers to a container designed and fabricated in accordance with the specifications of the U.S. Department of Transportation for the storage of propane.
L.H. Thread	A threaded connection where the male thread is turned in a counter-clockwise direction into a female thread (L.H.).
N.P.T.	American Standard Pipe Threads.
Orifice	The opening in a cap or other device whereby the flow of propane gas is limited and through which the gas is discharged to the burner.
P.O.L.	A commonly employed thread (L.H.) connection used for propane cylinders and meeting the specifications of the American Standards Institute.
Propane	A hydrocarbon product (HD ₅); A special grade of liquefied petroleum gas composed of a minimum 90% liquid volume of propane (C ₃ H ₈) and a maximum of 5% liquid volume of Propylene (C ₃ H ₆) - Ref. ANSI Z21.57, ANSI 283.6, Z83.7.
QCC-1 Fitting (Acme Nut)	The QCC-1 connector is a nut-and-nipple assembly, and is easily identifiable by the large, external right-hand threads on the cylinder valve. The QCC-1 connector's patented nut is easy to connect and tighten without tools.
R.H. Thread	A threaded connection where the male thread is turned in a clockwise direction into a female thread (R.H.).
Rate	BTU input burned by an appliance during one hour of full operation.
Regulator	A device for controlling or maintaining a uniform gas pressure.
Safety Shutoff Valve	A device that will shut off gas supply to the controlled burner in the event of flame failure.
Soft Nose	With fittings, refers to a P.O.L. with a rubber “O” Ring which acts as a secondary seal for connection to a propane cylinder valve.
Tank Union	A P.O.L. assembly with a R.H. female device – i.e. the valve on an appliance.
Thermocouple	The pair of dissimilar metallic elements so joined as to produce a current when the junctions are at different temperatures. Used for sensing the flame in a safety shutoff assembly.

WARNING: DO NOT light appliance until hose and fitting hook-up to appliance and propane tank are completed, **AND** all connections have been tightened. **ALWAYS** check connections with a soap solution before lighting! (The liquid will bubble if there is a leak). **DO NOT USE MATCHES, LIGHTERS OR ANYTHING WITH A FLAME TO CHECK FOR LEAKS!** Propane gas has a distinct odor. **KEEP ALL APPLIANCES, HOSES AND PROPANE TANKS AWAY FROM OPEN FLAMES.**



Approved propane cylinders must be located outdoors. National Fire Protection Association (NFPA 58-1986) requires that safety device discharge (pop off valve on tank) be located outdoors.

If you have any questions or you would like your own copy of this installation guide, call our **Toll Free Hook-Up Hotline:**

1-800-251-0001

Operators are available from 8:00 A.M. to 5:00 P.M. EST, Monday through Friday. We'll be happy to help you make the right connection!





TABLE OF CONTENTS

BY PRODUCT:

	1. Hose Assemblies	4 - 11
	2. Brass Fittings	11-14
	3. Propane Regulators.....	14-17
	4. Propane Brass Accessories	17-20
	5. Accessories.....	21-24
	6. Gas Quick Connect Kits and Accessories	25-27
	7. Propane Accessory Kits.....	27-29
	8. Part Number Index.....	30
	9. Other Quality Products from Mr. Heater.....	31

BY APPLICATION:

NUMBER = PAGE | LETTER = ITEM
EXAMPLE: 4A

Application	 Hose Assemblies	 Brass Fittings	 Propane Regulators	 Accessories
1. Barbecue Gas Grill Hook-Ups	5D, 5E, 5F, 7B, 7C, 9C, 10A	12B, 12F, 13B, 13C, 13F	15B, 16B	20A, 23A, 23B, 23D, 24A, 24B, 24C, 25A, 25B, 25C, 25D, 26C, 26D, 27A, 27B, 29B
2. Portable Heater Hook-Ups	5E, 5F, 6A, 6B, 6C, 7A, 7D, 7E, 8A, 8B, 9A, 9B	12B, 12F, 13C, 13F	15A, 15C, 16B, 17B	18C, 19A, 19B, 21A, 22A, 22C, 23A, 23B, 23C, 23D, 24A, 25B, 25C, 25D, 26A, 26B, 26C, 27A, 27B, 29B
3. Sporting: Camping, Hunting, Fishing Hook-Ups	5E, 5F, 7A, 7B, 7C, 7D, 7E, 8A, 8B, 8C, 8E, 8F, 9A, 9B, 10C, 11A	12B, 12D, 12E, 12F, 13A, 13B, 13C, 13D, 11E, 11F, 11G, 14A, 14B, 14C, 14D	15A, 15B, 15C, 16B, 16C, 17B	17C, 18A, 18B, 18C, 19A, 19B, 19C, 19D, 19F, 20B, 20C, 21C, 22A, 23B, 23A, 23C, 24A, 25C, 25D, 26A, 26B, 26C, 27A, 27B, 27C, 28A, 28B, 29A, 29B
4. Recreation Vehicle Hook-Ups	4A, 4B, 4C, 4D, 4E, 5A, 5B, 5C, 6C, 9A, 9B, 10B	11B, 12A, 12B, 12C, 12F, 13C	15C, 16A, 17A	18B, 18C, 19A, 20C, 23A, 23B, 23D, 24A, 24C, 25B, 25C, 25D, 26C, 27C, 28A, 28B, 29A, 29B
5. Fish Cookers, Smokers, Torches & Weed Burner Hook-Ups	5E, 5F, 8C, 8D, 9D	12F, 13B, 13C, 13F	14E	23A, 23B, 25C, 25D, 26A, 26B, 26C, 29B
6. Gas Logs, Wall Mount Heaters, Pedestal Stoves & Garage Heater Hook-Ups		11C, 12A	15A, 15C, 16B, 17A	21B
7. Tank Transporting				22B





HOSE ASSEMBLIES


Part#

Description

Application

A. F271138-20

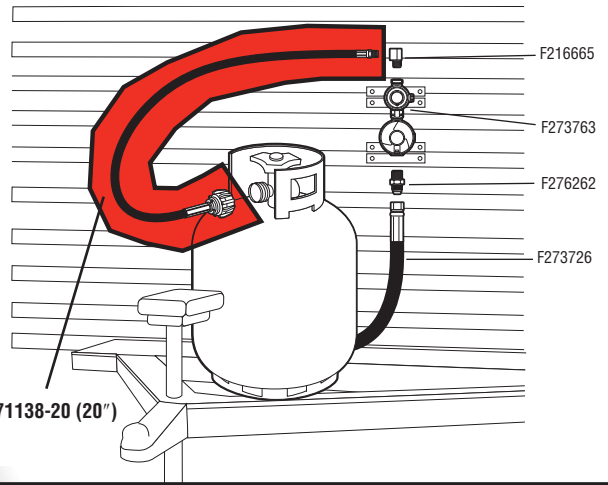


 US
Assembly
(UL 569/UL 21)

20' Propane Hose Assembly

(Acme Nut x 1/4" Male Pipe Thread)

Most commonly used to connect a bulk cylinder on a camper to a regulator.



B. F271144-60
C. F271144-144



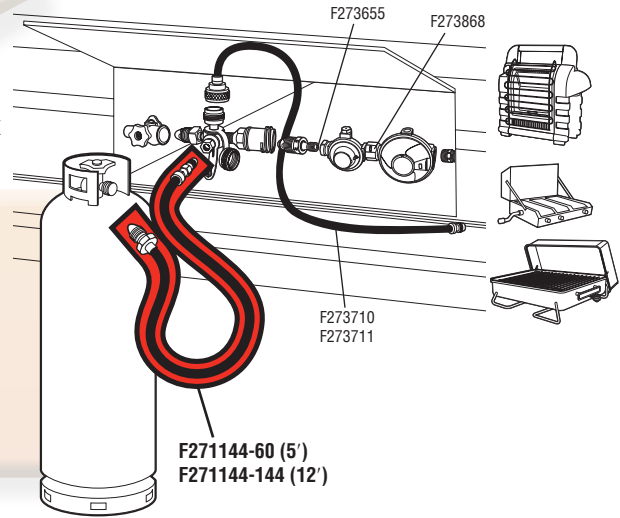
 US
Assembly
(UL 569/UL 21)

5' Propane Hose Assembly

12' Propane Hose Assembly

(Soft Nose Excess Flow P.O.L. x 1/4" Inverted Male Flare)

Most commonly used to connect an auxiliary tank to a motor home.



D. F271149-36
E. F271149-72



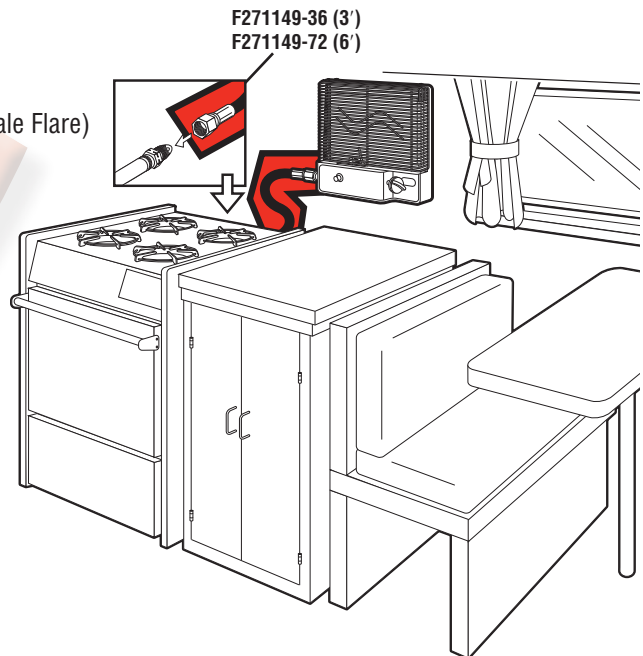
 US
Assembly
(UL 569/UL 21)

3' Propane Hose Assembly

6' Propane Hose Assembly

(3/8" Female Flare x 3/8" Female Flare)

Connects existing gas line to appliances equipped with 3/8" Male Flare.



HOSE ASSEMBLIES

Part#

Description

Application

- A. F271158-12
- B. F271158-15
- C. F271158-18

- 12" Propane Acme Flexible Pigtail Hose
- 15" Propane Acme Flexible Pigtail Hose
- 18" Propane Acme Flexible Pigtail Hose

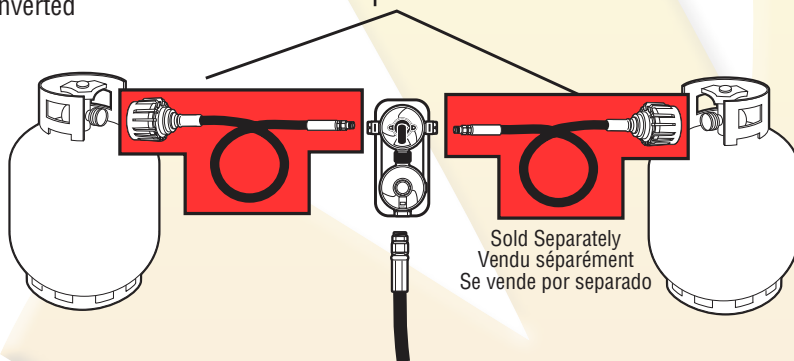
F271158-12 (12")
F271158-15 (15")
F271158-18 (18")

(Acme Nut x 1/4" Inverted Male Flare)

Connects to Propane Tank and Auto Change-Over Dual Stage Regulator



UL US
Assembly
(UL 569)



- D. F271161

- 22" Repl. Propane BBQ Hose & Regulator Assembly with Appliance End Fitting/Acme Nut

(Regulator with Appliance End Fitting/Acme Nut x 3/8" Female Flare)

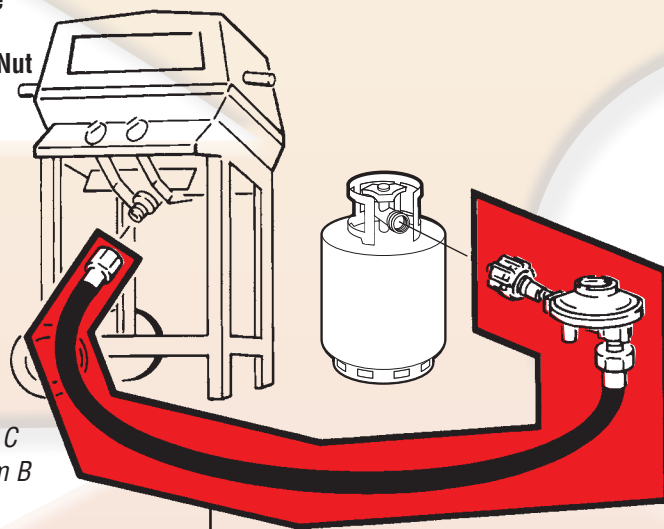
Most commonly used on propane gas grills.

Features:

- 11" W. C. Setting
- 1/2 PSI Output
- 75,000 BTU Capacity

Replacement Parts:

- 1 F273716: See page 9, item C
- 2 F273761: See page 15, item B



F271161 (22")

- E. F271163-30
- F. F271163-60

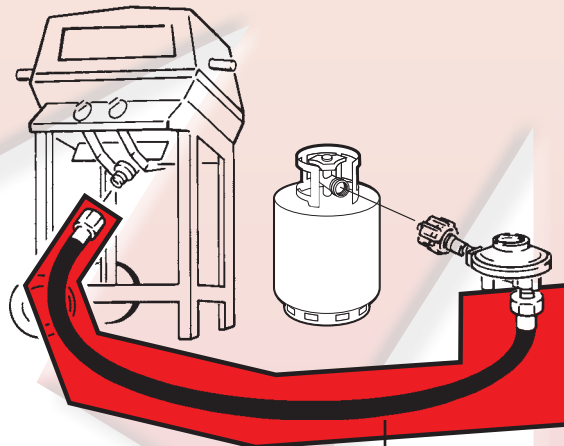
- 30" Propane Hose Assembly
- 5' Propane Hose Assembly

(3/8" Male Pipe Thread x 3/8" Female Flare)

Most commonly used to hook a low pressure regulator to an appliance.



UL US
Assembly
(UL 569/UL 21)



F271163-30 (30")
F271163-60 (5')





HOSE ASSEMBLIES

Part#

Description

Application

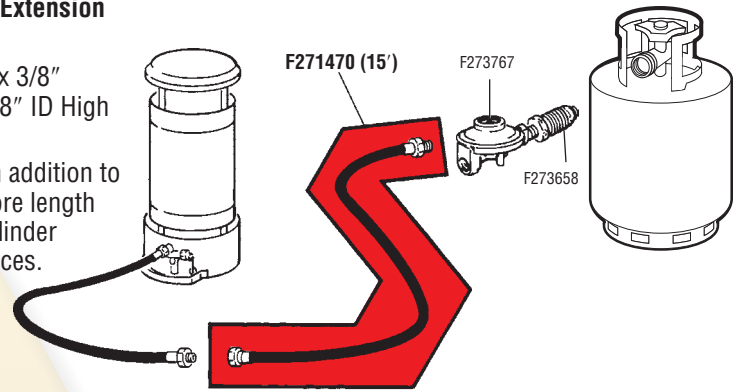
A. F271470



15' Propane Appliance Extension Hose Assembly

(3/8" Male Pipe Thread x 3/8" Female Pipe Thread) (3/8" ID High Pressure Hose)

Most commonly used in addition to the existing hose for more length between the propane cylinder and the portable appliances.



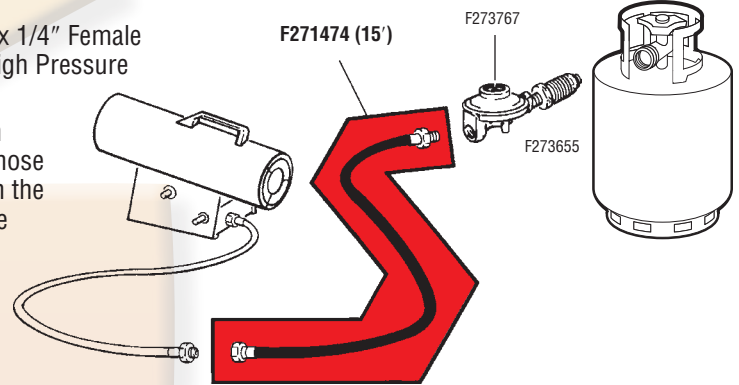
B. F271474



15' Propane Appliance Extension Hose Assembly

(1/4" Male Pipe Thread x 1/4" Female Pipe Thread) (1/4" ID High Pressure Hose)

Most commonly used in addition to the existing hose for more length between the propane cylinder and the portable appliances.

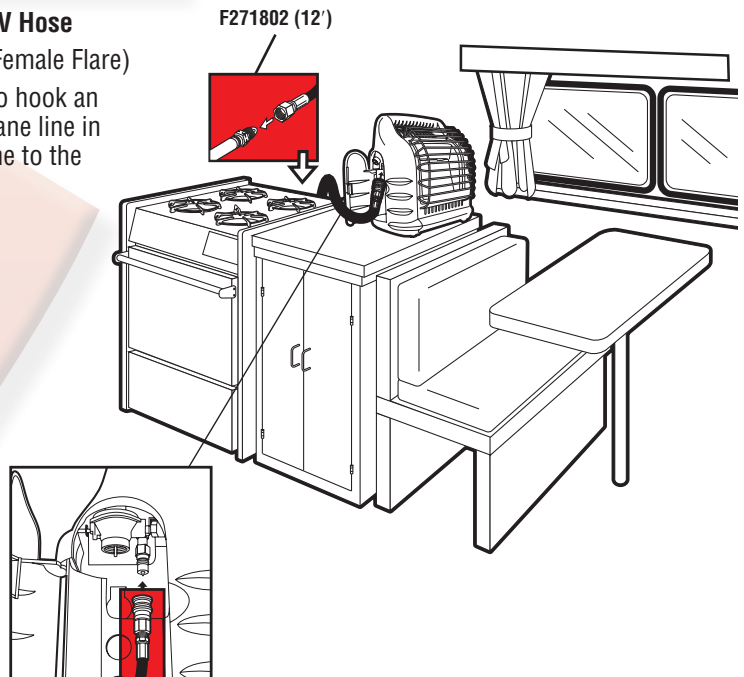


C. F271802



Big/Tough Buddy 12' RV Hose
(Quick Connect x 3/8" Female Flare)

Most commonly used to hook an existing regulated propane line in a camper or motor home to the Big/Tough Buddy.



HOSE ASSEMBLIES

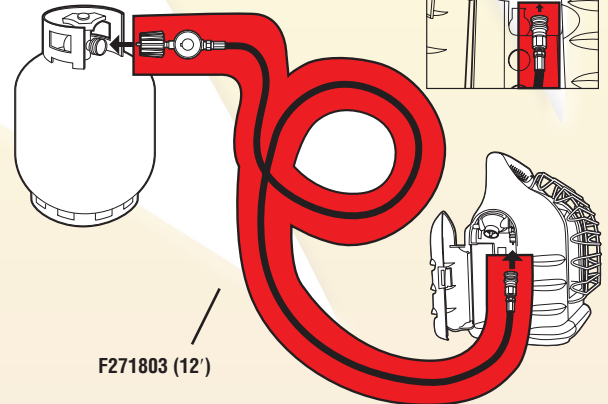
Part#

Description

Application

A. F271803

Big/Tough Buddy 12' Hose with Regulator
(Quick Connect x Regulator w/Acme Nut)
Most commonly used to hook a Big/Tough Buddy to a 20 lb. propane cylinder.



B. F273071
C. F273072

5' Propane Hose/Regulator Assembly
12' Propane Hose/Regulator Assembly
(Regulator w/Restricted Flow Soft Nose P.O.L. and Handwheel x 3/8" Female Flare)



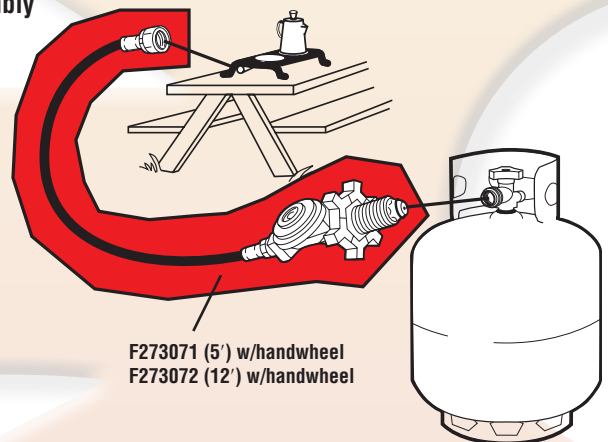
Connects low pressure portable propane appliances to a 20 lb. cylinder.

Features:

- Low Pressure
- 11" W. C. Setting
- 1/2 PSI Output
- 75,000 BTU Capacity

Replacement Parts:

- 1 F276136: See page 17, item A
- 2 F271163-60: see page 5, item F
- 3 73783: Consult factory**
- 4 35144: Consult factory**



D. F273701
E. F273702

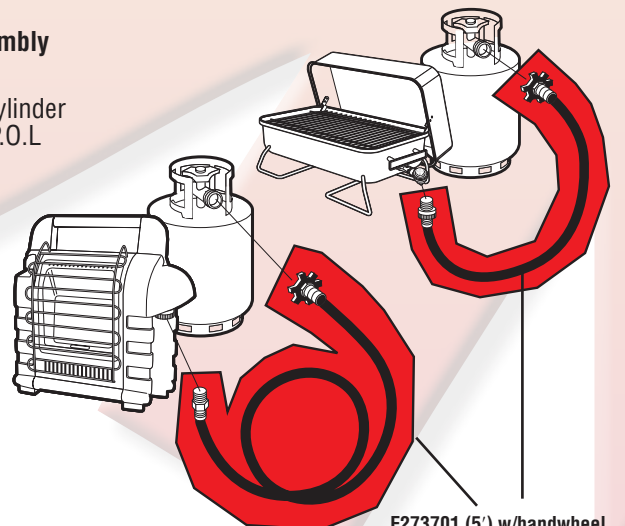
5' Propane Hose/Regulator Assembly
12' Propane Hose Assembly
(Swivel 1"-20 Male Throwaway Cylinder Thread x Excess Flow Soft Nose P.O.L. w/Handwheel)



Connects appliances that are designed for disposable cylinders to a 20 lb. cylinder. Hand tighten swivel on both ends.

Features:

- High Pressure Hose
- Excess Flow Soft Nose P.O.L.
- Connects portable appliances to 20 lb. cylinders





HOSE ASSEMBLIES

Part#

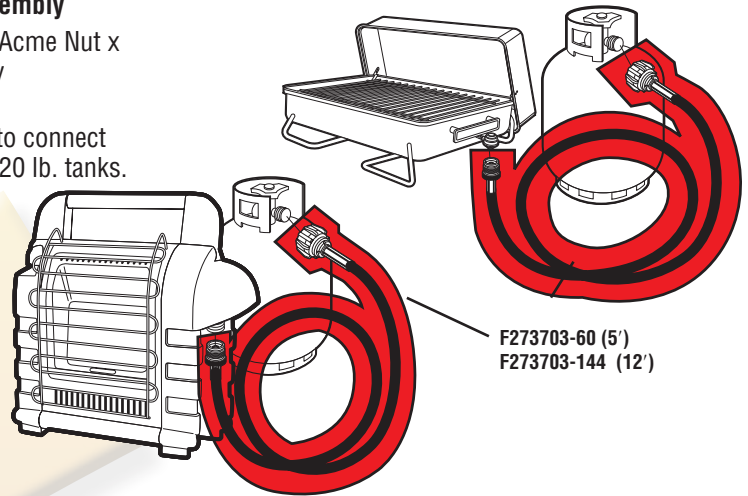
Description

Application

A. F273703-60
B. F273703-144

5' Propane Hose Assembly
12' Propane Hose Assembly
(Appliance End Fitting/Acme Nut x
1" -20 Male Throwaway
Cylinder Thread)

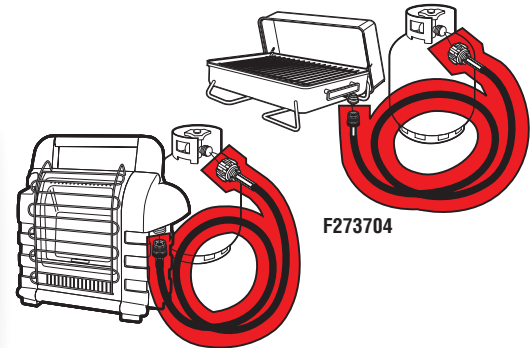
Most commonly used to connect
portable appliances to 20 lb. tanks.



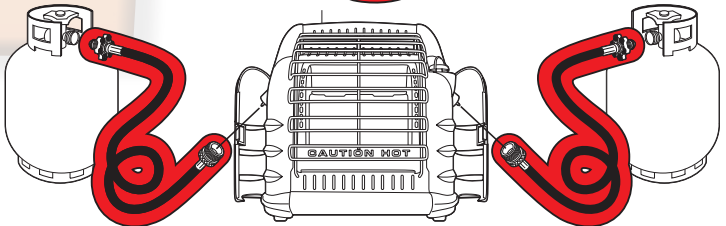
F273703-60 (5')
F273703-144 (12')

C. F273704

**10' Buddy Series Propane
Hose Assembly**
Swivel 1" - 20 Male Throwaway
Cylinder Thread x Soft Nose Excess
Flow P.O.L w/Handwheel)
Connects appliances that are
designed to be connected to
1lb. bottles to 5-20lb. tanks.
Connects low pressure
to high pressure tanks.



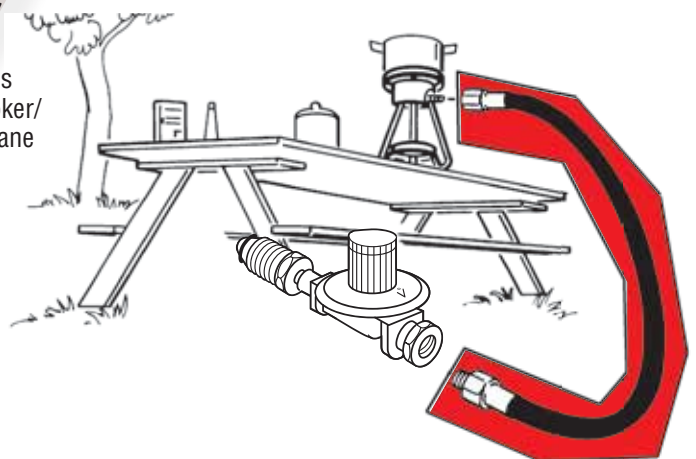
F273704



D. F273707
E. F273707-108

5' Propane Hose Assembly
9' Propane Hose Assembly
(1/4" Male Pipe Thread x 3/8"
Female Flare)

Replaces most hose assemblies
between regulator and fish cooker/
smoker, torches, or other propane
appliances.



HOSE ASSEMBLIES

Part#

Description

Application

A. F273710
B. F273711

5' Propane Hose Assembly
12' Propane Hose Assembly

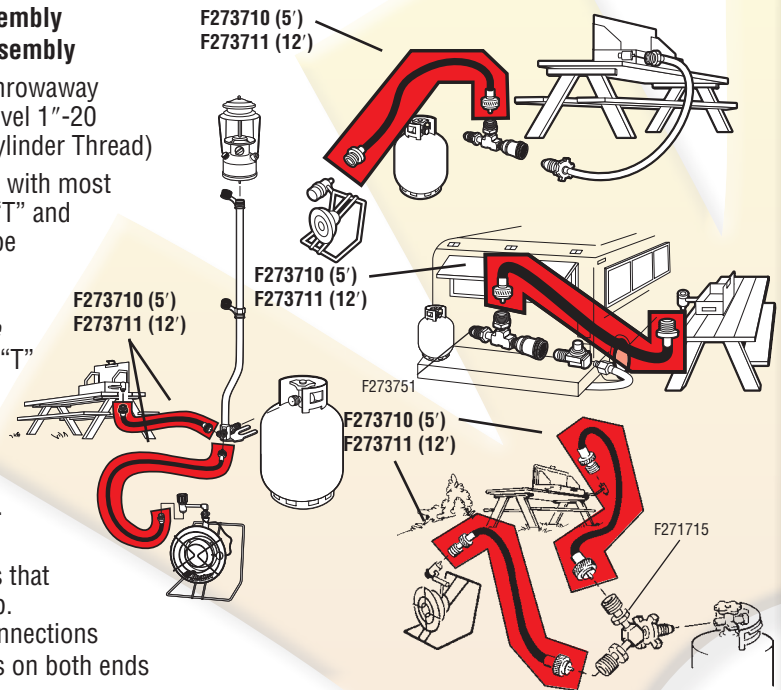
(Swivel 1"-20 Male Throwaway Cylinder Thread x Swivel 1"-20 Female Throwaway Cylinder Thread)

Most commonly used with most distribution posts or "T" and "Y" connectors. Can be used with Mr. Heater Part # F271715

"Y" adapter (see page 17, item B), F273751 "T" adapter (see page 19, item A), F271731 30"/15" distribution post (see page 22, item A).

Features:

- Connects appliances that are designed for 1 lb. cylinders to 1 lb. connections
- Hand tighten swivels on both ends



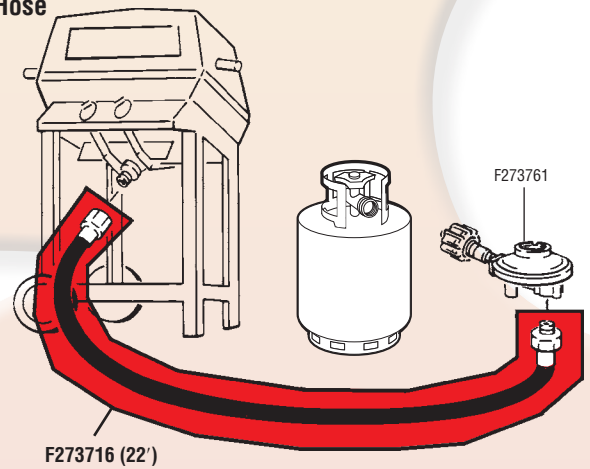
C. F273716

22" Propane Replacement Barbecue Hose

(3/8" Male Pipe Thread x 3/8" Female Flare)

(Total assembly with regulator is Mr. Heater Part # F271161, see page 5, item D)

Fits most propane barbecue gas grills.

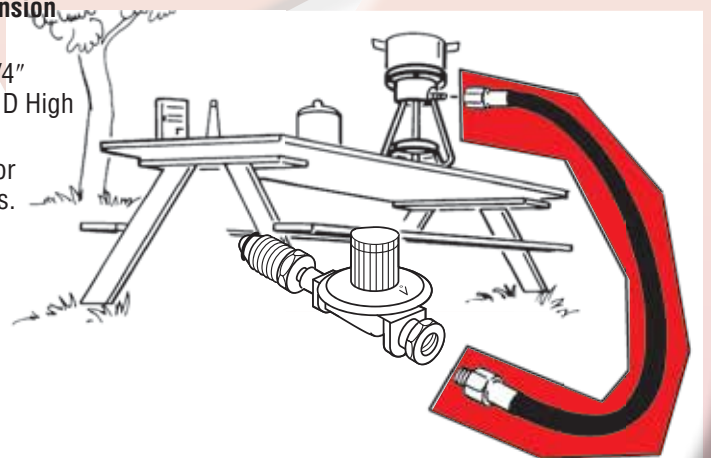


D. F273717

5' Propane Appliance Extension Hose Assembly

(1/4" Male Pipe Thread x 1/4" Female Pipe Thread) (1/4" ID High Pressure Hose)

Use as an extension hose for portable propane appliances.





HOSE ASSEMBLIES

Part#

Description

Application

A. F273720



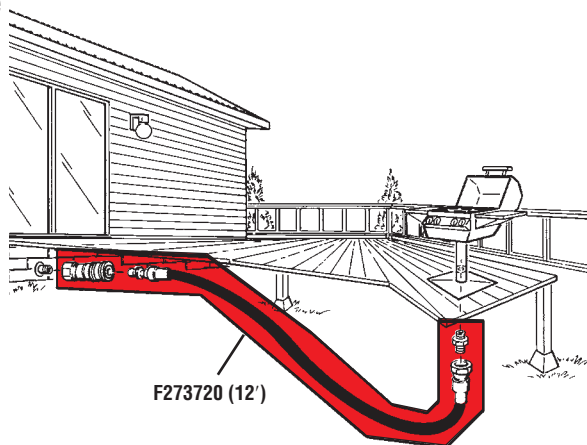
12' Natural Gas Patio Hose Assembly

(3/8" Female Pipe Thread x 3/8" Male Flare Quick Connect/Disconnect with Dust Plug and Cap)

Most commonly used for connecting natural/propane gas appliances to the existing low pressure supply.

Replacement Parts:

- 1 F276262: See page 14, item D
- 2 73709: Consult factory**
- 3 73691: Consult factory**
- 4 73693: Consult factory**
- 5 73694: Consult factory**



B. F276148



5' Propane Hose Assembly

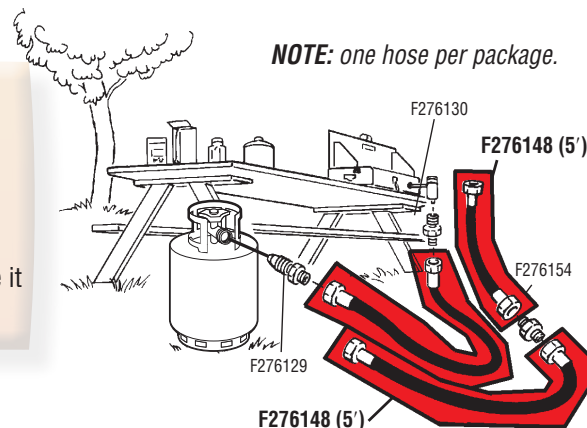
(9/16 Left Hand Female Threads on Both Ends) Most commonly used as an extension hose as shown.

For additional length connect two F276148 hoses with F276154 brass fitting.

Use with Mr. Heater Part # F276154 (page 14, item C) to make longer or Mr. Heater Part # F276129 (page 13, item D) & F276130 (page 13, item E) to make it a portable appliance hose.

Features:

- High Pressure Hose
- Most commonly used as an extension hose



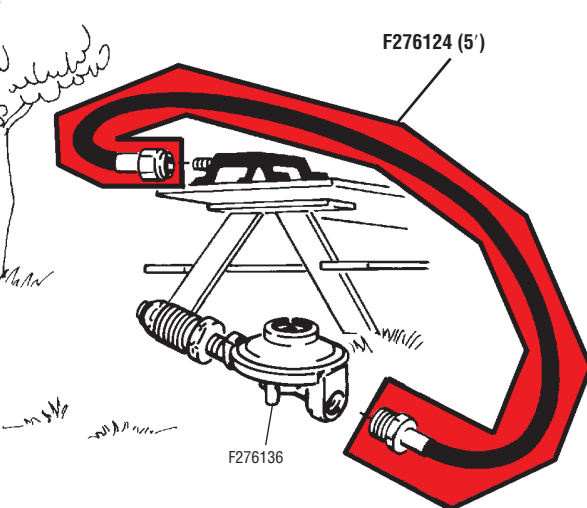
C. F276124



5' Propane Hose Assembly

(3/8" Male Pipe Thread x 3/8" Female Pipe Thread)

Often used to connect low pressure appliances to low pressure regulators.



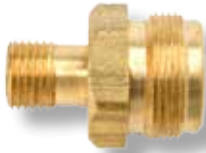
FITTINGS

Part#

Description

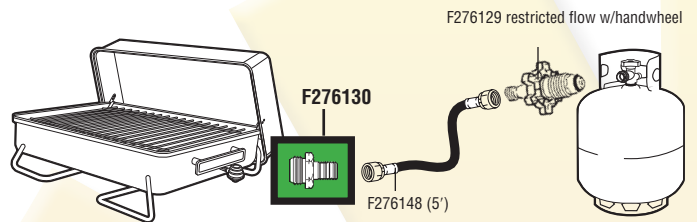
Application

A. F276130



9/16" Left Hand Male Thread x 1"-20 Throwaway Cylinder Thread w/Shutoff

Most commonly used to connect 9/16" female thread to 1"-20 female throwaway cylinder thread with shutoff.

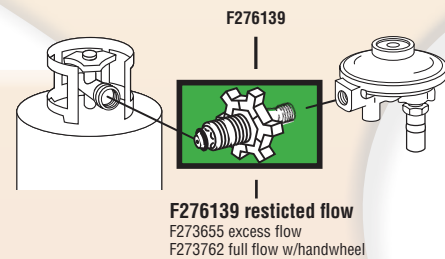


B. F276139



1/4" Male Pipe Thread x Restricted Flow Soft Nose P.O.L. w/Handwheel

Most commonly used to connect 1/4" female pipe threads to 7/8" female P.O.L. (20 lb. or 5 gal. tank internal threads) (Low Pressure Regulator, for gas grills and other appliances, tees, etc.)



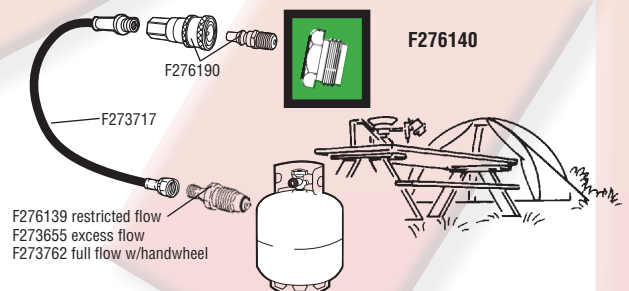
C. F276140



Propane Male Throwaway Cylinder Adapter

(1"-20 Male Throwaway Cylinder Thread x 1/4" Female Pipe Thread)

Most commonly used to connect appliances that use disposable cylinders to a 1/4" male pipe thread.





FITTINGS

Part#

Description

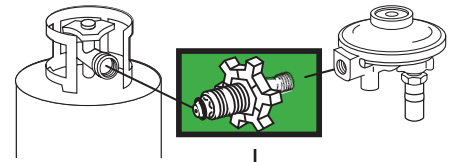
Application

A. F273655

Excess Flow Soft Nose P.O.L. x 1/4" Male Pipe Thread w/Handwheel

Features:

- Excess flow safety
- CSA Approved
- UL Listed

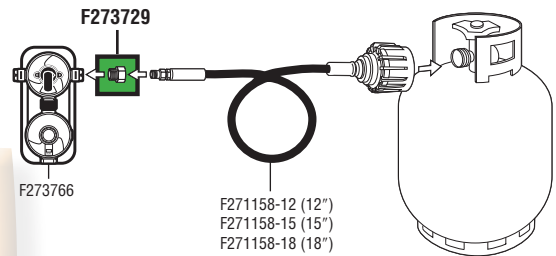


F273655 excess flow

B. F273729

1/4" Male Pipe Thread x 1/4" Inverted

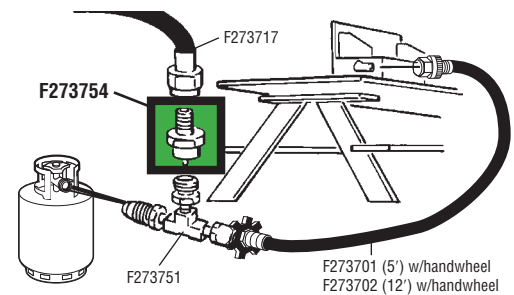
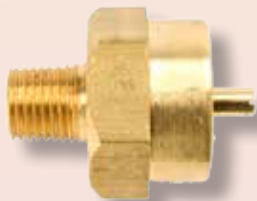
Most commonly used on some auto change over dual stage regulators.



C. F273754

1/4" Male Pipe Thread x 1"-20 Female Throwaway Cylinder Thread

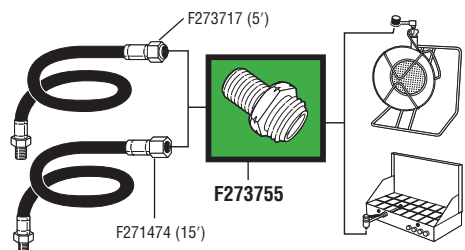
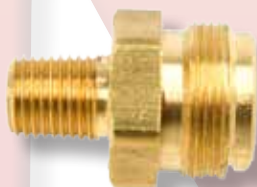
Most commonly used to connect 1/4" female pipe thread to 1"-20 male throwaway cylinder thread.



D. F273755

1/4" Male Pipe Thread x 1"-20 Male Throwaway Cylinder Thread

Most commonly used to connect 1/4" female pipe thread to 1"-20 female throwaway cylinder thread.



FITTINGS

Part#

Description

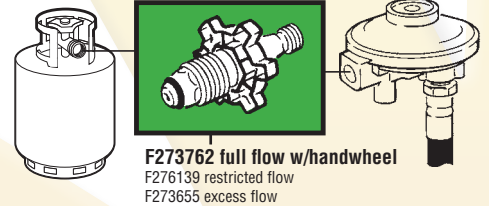
Application

A. F273762



1/4" Male Pipe Thread x Full Flow Soft Nose P.O.L. w/Handwheel

Full Flow P.O.L. Most commonly used to connect 1/4" female pipe threads to 7/8" female P.O.L. (20 lb. or 5 gal. tank internal threads) (Low Pressure Regulator, for gas grills and other appliances, tees, etc.)



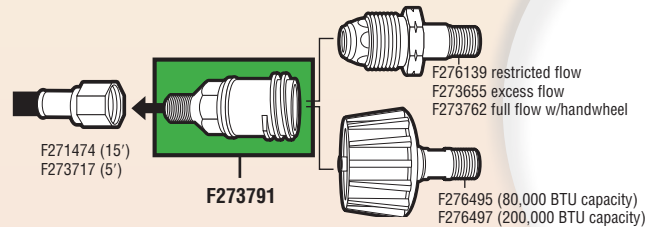
B. F273791



1/4" Male Pipe Thread x Female P.O.L. w/Acme Thread

Most commonly used to connect acme nuts or P.O.L.'s to T's, Y's and hoses.

Connects to **NEW** and **OLD** propane connections.

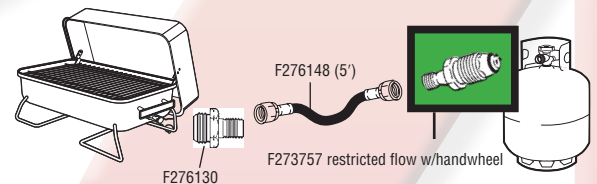


C. F276129



9/16" Left Hand Thread x Restricted Flow Soft Nose P.O.L. w/handwheel

Most commonly used to connect 9/16" Female Left Hand Thread to 7/8" Female P.O.L. Thread (20 lb./5 gal. tank internal threads).





FITTINGS

Part#

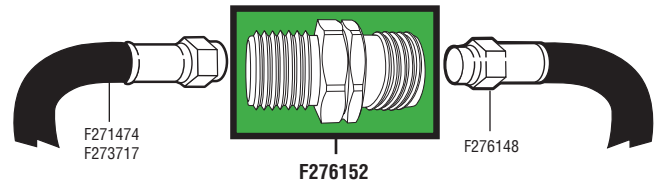
Description

Application

A. F276152



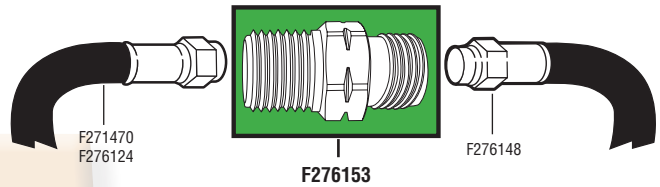
1/4" Male Pipe Thread x 9/16" Left Hand Male Thread
 Most commonly used to connect hoses together to extend hose length.



B. F276153



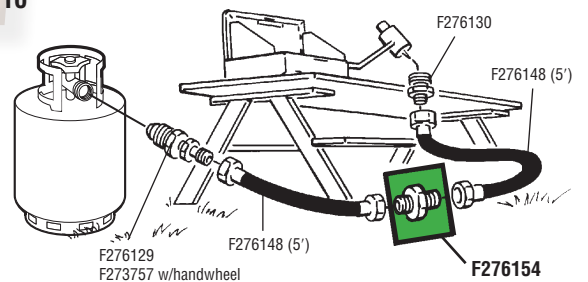
3/8" Male Pipe Thread x 9/16" Left Hand Male Thread
 Most commonly used to connect hoses together to extend hose length.



C. F276154



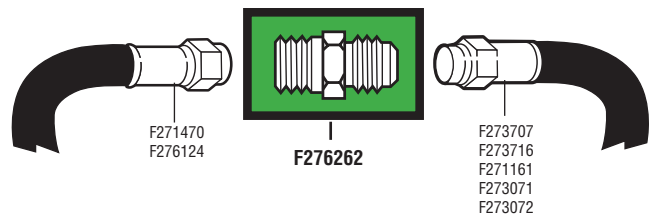
9/16" Left Hand Male Pipe Thread x 9/16" Left Hand Male Thread
 Most commonly used to connect hoses together to extend hose length.



D. F276262



3/8" Male Pipe Thread x 3/8" Male Flare



REGULATORS

Part#

Description

Application

A. F273766



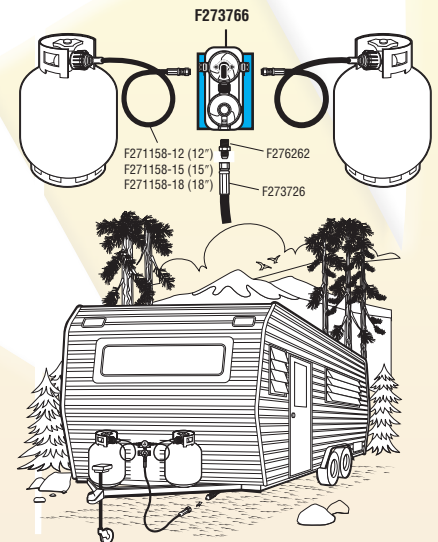
Propane Auto-Changeover Two Stage Regulator (with cover & bracket)

(Two 1/4" Inverted Female Flare Inlets x 3/8" Female Pipe Outlet)

Most commonly used on RV's with dual tank hook-up.

Features:

- 300 BTU Capacity • 11" W.C. Setting
- 1/2 PSI Output • Automatic Changeover
- Visible Gauge • Automatically changes over from empty tank to full one
- Can remove empty cylinder and take for refill without interruption
- Gas gauge for monitoring
- Pressure consistency through dual regulators
- * Brass inverted fitting are not removable



B. F273863 (With P.O.L.)

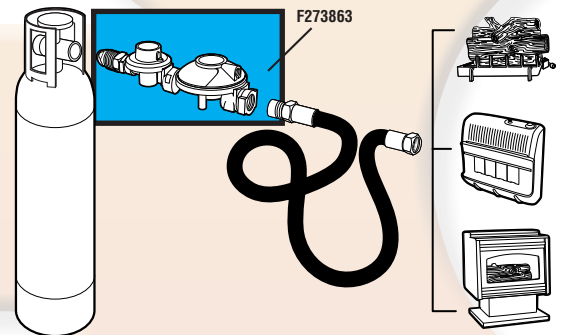


Horizontal Propane Two-Stage Regulator

Excess Flow Soft Nose P.O.L. (Inlet) x 3/8" Female Pipe Thread (Outlet)

Features:

- Two-stage regulator results in a more consistent inlet pressure between the first and second stage. This allows for a more consistent flow of gas to the appliance.
- 275,000 BTU Capacity
- Outlet pressure set at 11" W.C.
- Operating Temperature: -20°C - 50°C



C. F273868 (Without P.O.L.)



D. F273763

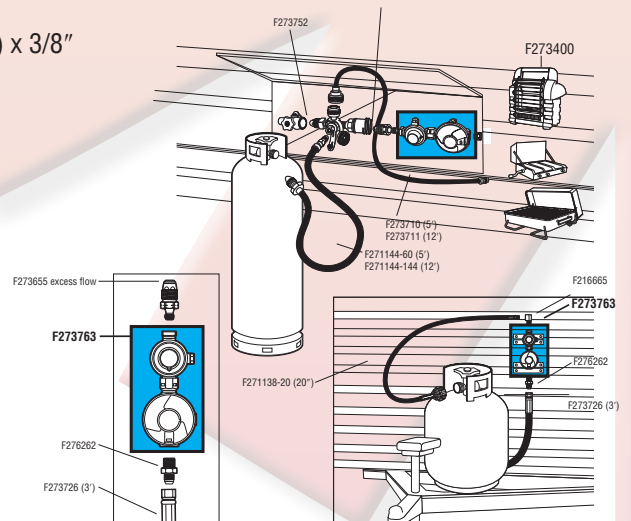


Propane Two-Stage Regulator

(1/4" Female Pipe Thread (Inlet) x 3/8" Female Pipe Thread (Outlet))

Features:

- Low Pressure
- Consistent Gas Pressure
- 11" W.C. Setting
- 1/2 PSI Output
- Operating Temperature: -20°C - 50°C





REGULATORS

Part#

Description

Application

A. F276136

Propane Low Pressure Regulator

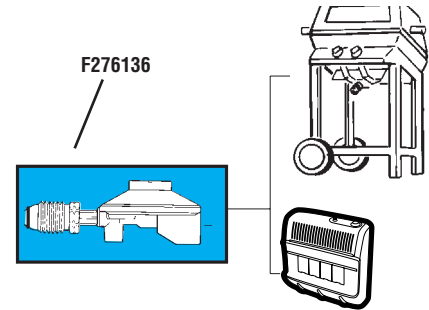
(3/8" Female Pipe Thread x Restricted Flow Soft Nose P.O.L.)

The size, shape and flow characteristics of this regulator makes it ideal for use on portable heaters, hot plates, camp stoves, and other propane appliances that require 75,000 BTU or less.

Will operate low pressure appliances.

Features:

- Low Pressure
- 11" W.C. Setting
- 1/2 PSI Output
- 75,000 BTU Capacity



B. F273769

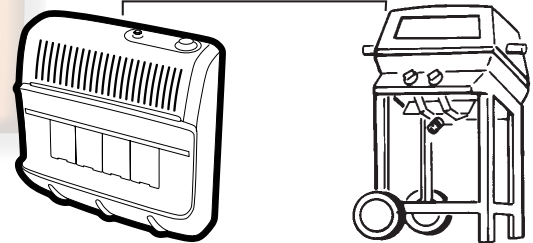
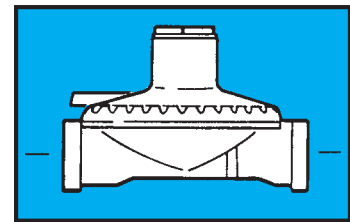
Propane Low Pressure Regulator

(1/4" Female Pipe Thread (Inlet) x 3/8" Female Pipe Thread (Outlet))

Most commonly used on low pressure appliances that are 140,000 BTU's or less.

Features:

- Low Pressure
- 11" W.C. Setting
- 1/2 psi output
- 140,000 BTU capacity



C. F273719

Propane High Pressure Regulator

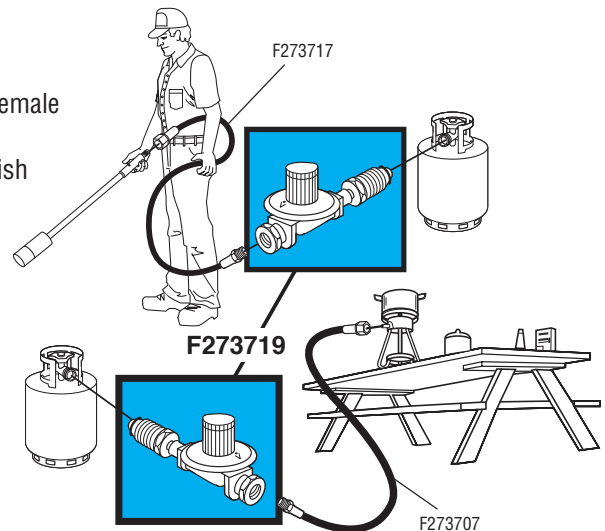
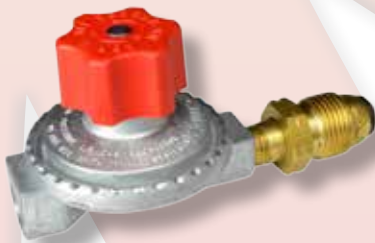
Range of 0-20 P.S.I.

(Full Flow Soft Nose P.O.L. x 1/4" Female Pipe Thread)

Most commonly used on torches, fish cookers, smokers or other high pressure appliances.

Features:

- High Pressure
- Range of 0-20 PSI
- 400,000 BTU Capacity
- UL Listed



REGULATORS

Part#

Description

Application

A. F273759

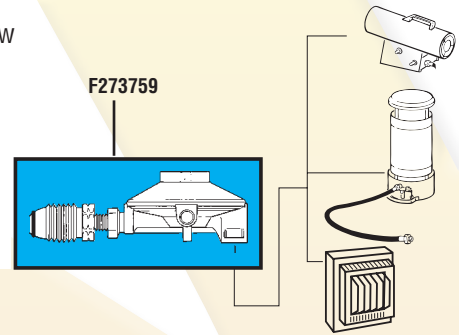


90° Propane Low Pressure Regulator

(3/8" Female Pipe Thread x Restricted Flow Soft Nose P.O.L.)

11" W.C. low pressure regulator designed with 90° angle.

Most commonly used on low pressure appliances.



B. F273761



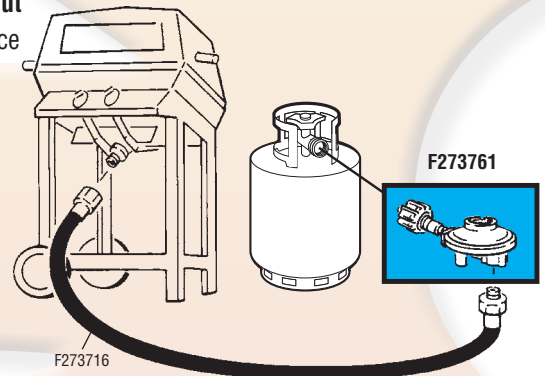
90° Low Pressure Regulator with Appliance End Fitting/Acme Nut

(3/8" Female Pipe Thread x Appliance End Fitting/Acme nut)

Most commonly used on propane gas grills.

Features:

- Low Pressure
- Excess Flow/Thermal Shutoff
- 11" W.C. Setting
- 1/2 PSI Output
- 75,000 BTU Capacity



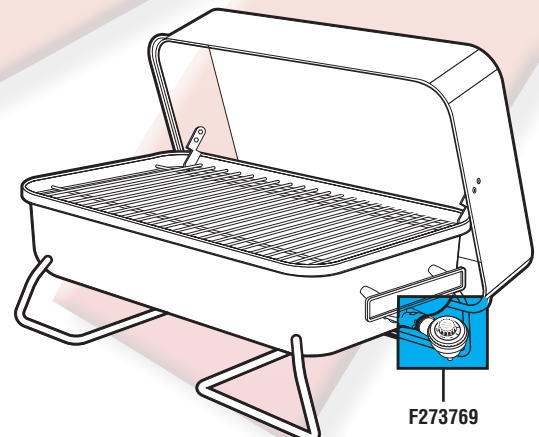
C. F273767



Portable Propane Table Top Regulator

(1"-20 Female Throwaway Cylinder Thread x Orifice)

Most commonly used with portable table top grills.





ACCESSORIES

Part#

Description

Application

A. F271735

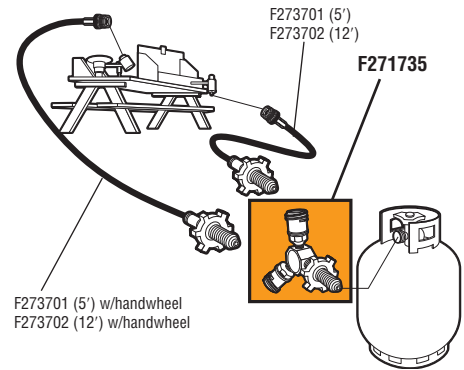


**Propane "Y" Female Adapter
with Handwheel**

(Two Female P.O.L.'s w/ Acme Threads x Excess Flow Soft Nose P.O.L.)

Allows two appliances to be hooked up to a bulk cylinder (use with F273701 and F273702 (page 7, items D & E) or F273703-60 & F273703-144 (page 8, items A & B)).

Connects to **NEW** and **OLD** propane connections.



B. F273751

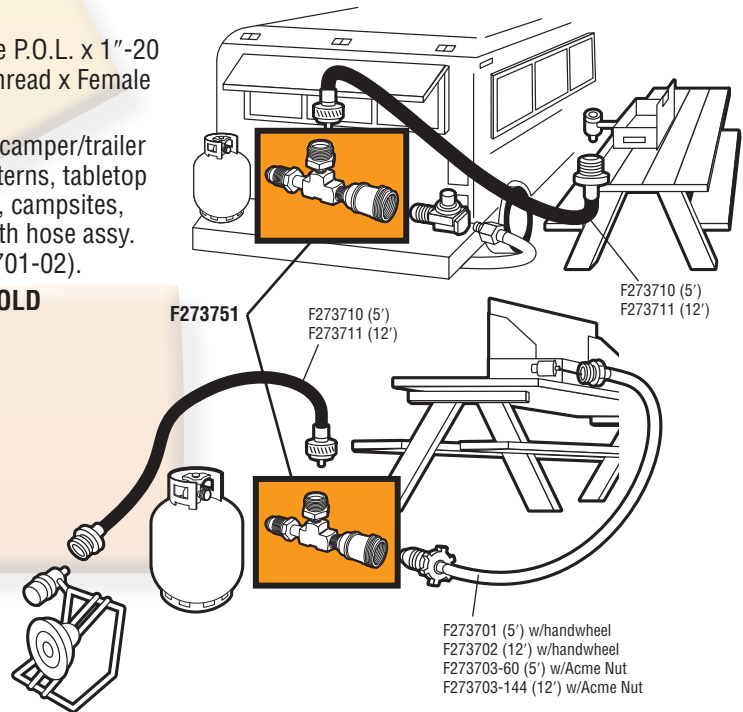


Propane Adapter Tee

(Excess Flow Soft Nose P.O.L. x 1"-20 Throwaway Cylinder Thread x Female P.O.L. w/Acme Thread)

Conveniently use your camper/trailer propane supply for lanterns, tabletop barbecue, etc. at parks, campsites, rest stops, etc. (use with hose assy. F273710-11 and F273701-02).

Connects to **NEW** and **OLD** propane connections.



C. F273752

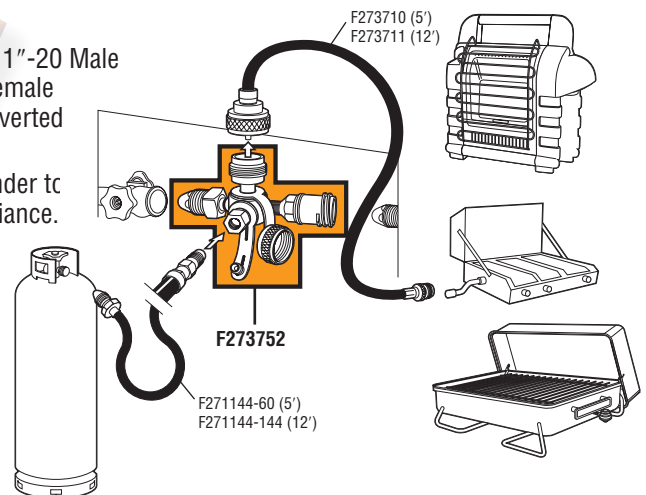


Stay A While Tee

(Excess Flow Soft Nose P.O.L. x 1"-20 Male Throwaway Cylinder Thread x Female P.O.L. w/ Acme Thread x 1/4" Inverted Female Flare)

Connects auxiliary propane cylinder to motor home and additional appliance.

Connects to **NEW** and **OLD** propane connections.



ACCESSORIES

Part#

Description

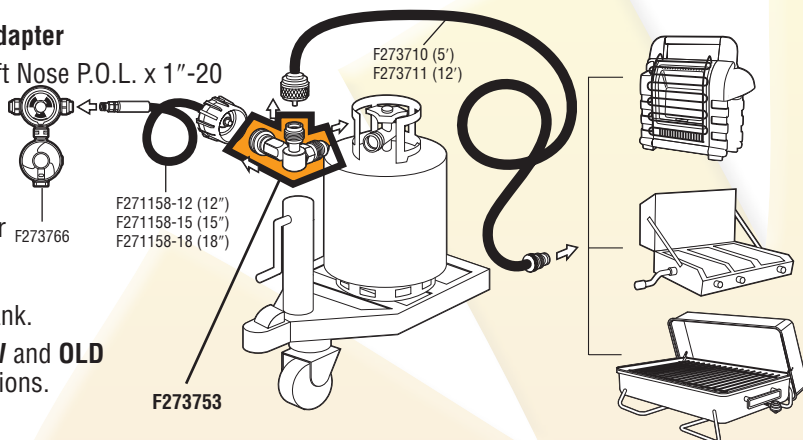
Application

A. F273753

90° Stay Flow Adapter

(Excess Flow Soft Nose P.O.L. x 1"-20 Male Throwaway Cylinder Thread x Female P.O.L. w/Acme Thread)

Connects camper and additional appliance to 20 lb. propane tank.
Connects to **NEW** and **OLD** propane connections.

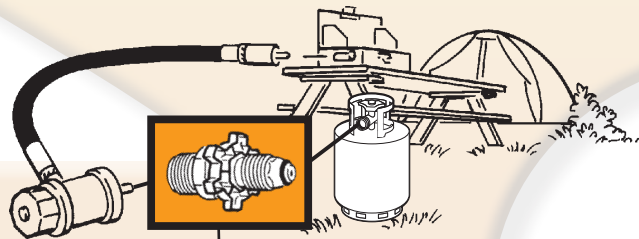


B. F273758

Propane Bulk Cylinder Adapter with Handwheel

(1"-20 Throwaway Cylinder Thread x Restricted Flow Soft Nose P.O.L.)

Allows appliances designed for use on throwaway cylinders, and with a hose/regulator assy. to be attached directly to a bulk tank (i.e., Mr. Camper, Coleman Co. Inc.®, or Century Primus® stove).



F273758 restricted flow w/handwheel
F276132 restricted flow

C. F273760

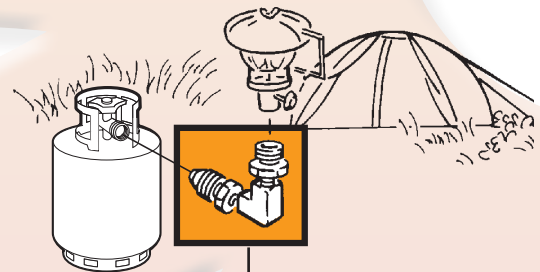
90° Elbow

(Restricted Flow Soft Nose P.O.L. x 1"-20 Male Throwaway Cylinder Thread)

Most commonly used to connect appliances that are designed for throwaway cylinders, directly to a 20 lb. cylinder.

Replacement Parts:

- 1 F273755: See page 12, item E
- 2 73775: Consult factory**
- 3 F276139: See page 13, item F



F273760

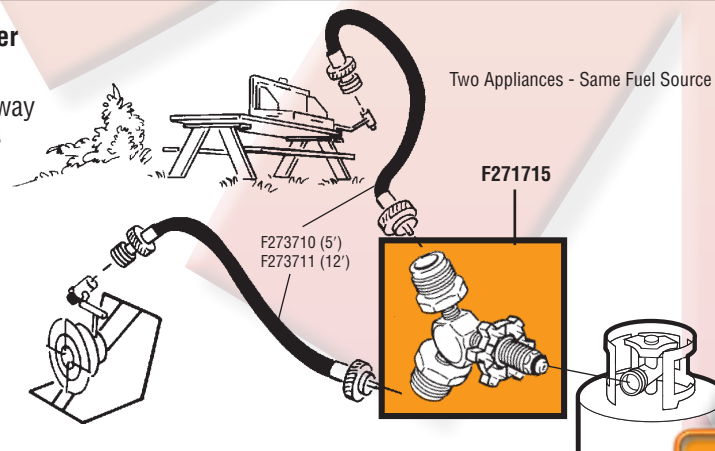
D. F271715

Propane "Y" Male Adapter with Handwheel

(Two 1"-20 Male Throwaway Cylinder Threads x Excess Flow Soft Nose P.O.L.)

Most commonly used to connect two appliances to one 20 lb. propane cylinder.

Use with Mr. Heater stock #s F273710 & F273711 (page 9, items A & B).



F271715





ACCESSORIES

Part#

Description

Application

A. F276495



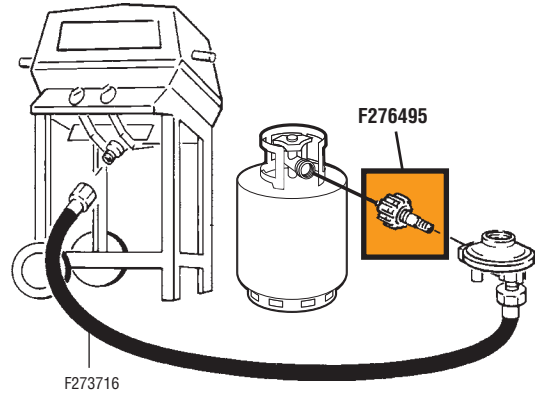
Propane Grill Acme Nut (Black)

(Appliance End Fitting/Acme Nut x 1/4" Male Pipe Thread)

Most commonly used on propane gas grills with the new Type 1/Acme System.

Features:

- Thermal shutoff
- Excess flow safety
- 80,000 BTU Capacity



B. F276497

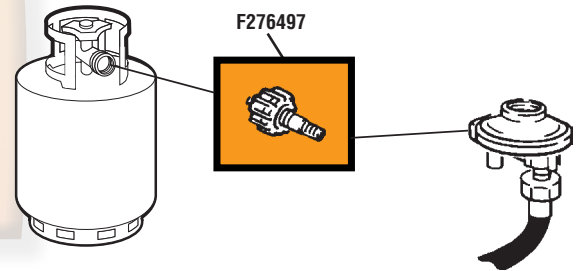


Propane Acme Nut (Green)

(Appliance End Fitting/Acme Nut x 1/4" Male Pipe Thread)

Features:

- 200,000 BTU capacity
- Excess flow safety
- Thermal shutoff



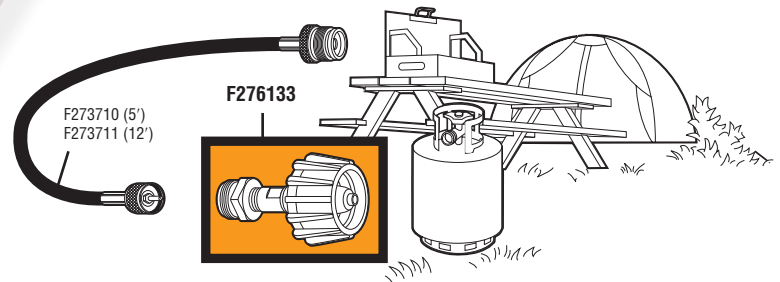
C. F276133



Propane Bulk Cylinder Adapter with Appliance End Fitting/Acme Nut

(Acme Nut x 1"-20 Male Throwaway Cylinder Thread)

Most commonly used to hook portable appliances to new propane tanks.



ACCESSORIES

Part#

Description

Application

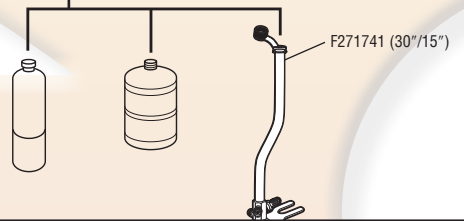
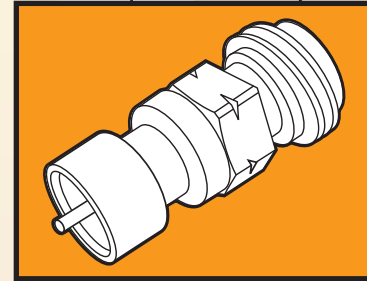
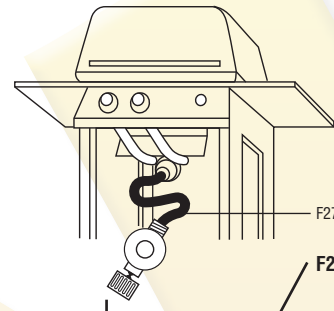
A. F276171

Propane "Steak Saver" Adapter

(1"-20 Female Throwing Cylinder Thread x Female P.O.L. & Acme Thread)

Most commonly used with 1 lb. bottles to grills or distribution posts to grills.

Connects to **NEW** and **OLD** propane connections.



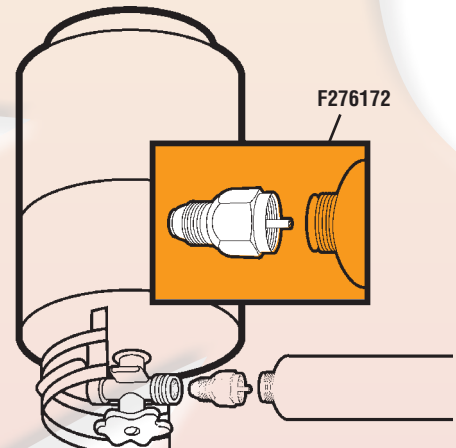
B. F276172

Propane Tank Refill Adapter

(Female Throwing Cylinder Thread x Soft Nose P.O.L.)

Refills 1 lb. bottles in 1 minute or less.

• PERSONAL USE ONLY

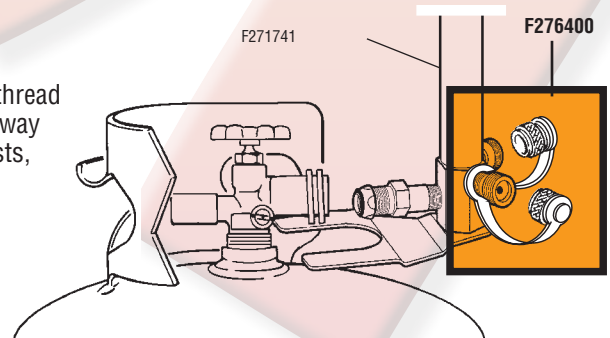


C. F276400

Propane Brass Cap

(1"-20 Female Pipe Thread)

Most commonly used to provide thread protection for 1"-20 Male Throwing Cylinder Threads (distribution posts, tees, etc.).





ACCESSORIES

Part#

Description

Application

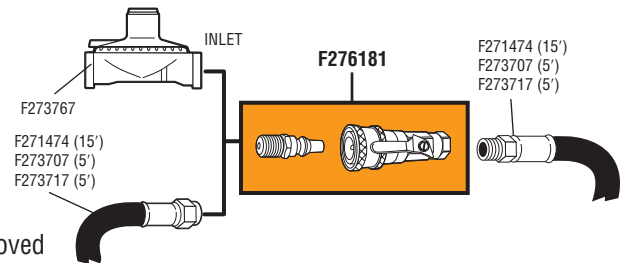
A. F276181

Propane/Natural Gas Connector Kit w/Shutoff Valve & Full Flow Male Plug

(1/4" Male Pipe Thread x 1/4" Female Pipe Thread)

Features:

- 80,000 BTU capacity
- 1/2 P.S.I. rated
- Excess flow safety
- Thermal shutoff
- Automatic shutoff when plug is removed
- Additional safety valve shutoff
- UL Listed



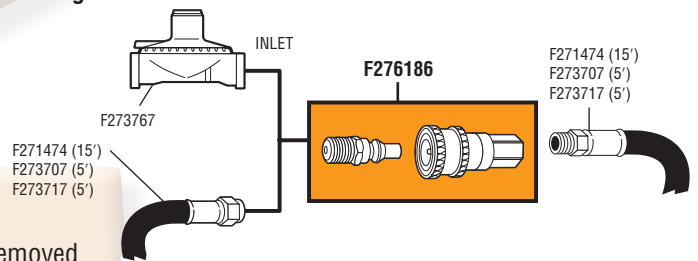
B. F276186

Propane/Natural Gas 1/4" Quick Connector & Excess Flow Male Plug

(1/4" Male Pipe Thread x 1/4" Female Pipe Thread)

Features:

- 80,000 BTU capacity
- 250 P.S.I. rated
- Excess flow safety
- Thermal shutoff
- Auto shutoff when plug is removed
- UL Listed



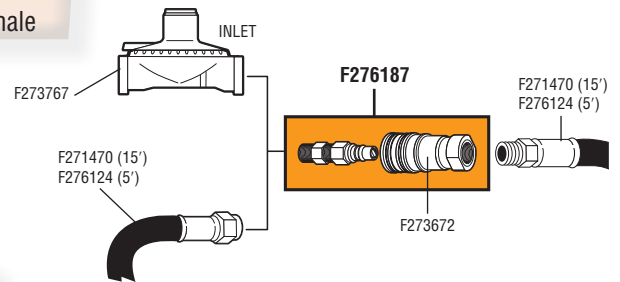
C. F276187

Propane/Natural Gas 3/8" Quick Connector & Full Flow Male Plug

(3/8" Male Pipe Thread x 3/8" Female Pipe Thread)

Features:

- All BTU Capacities
- 1/2 P.S.I. rated
- Automatic shutoff when plug is removed
- UL Listed



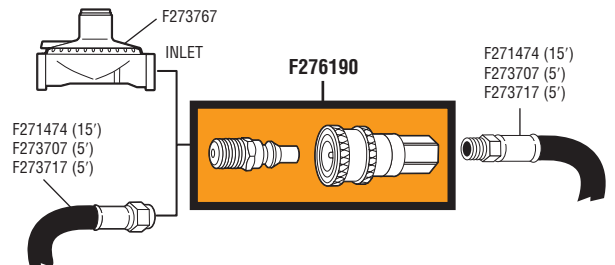
D. F276190

Propane/Natural Gas Connector & Full Flow Male Plug

(1/4" Male Pipe Thread x 1/4" Female Pipe Thread)

Features:

- All BTU capacities
- 1/2 P.S.I. rated
- Automatic shutoff when plug is removed
- UL Listed



ACCESSORIES

Part#	Description	Application
A. F276281	<p>Propane/Natural Gas Full Flow Male Plug (1/4" Male Pipe Thread x Full Flow Male Plug)</p> <p>Quick Connect Fitting for use with F276330 & F276334, F276186 & F276190</p> <p>Features:</p> <ul style="list-style-type: none"> • Full Flow Plug (all BTU capacities) • No restrictions 	<p>F273767</p> <p>F276281 full flow</p> <p>F276334</p>
B. F276328	<p>Propane/Natural Gas Excess Flow Male Plug (1/4" Male Pipe Thread x Male Plug Quick Connect Fitting)</p> <p>For appliances 80,000 BTU's or less. For use with F276334, F276330, F276186, F276190</p> <p>Features:</p> <ul style="list-style-type: none"> • Thermal Shutoff • Excess Flow • 80,000 BTU capacity low pressure only • CSA Approved • UL Listed 	<p>F276328 excess flow</p> <p>F276334</p>
C. F276330	<p>Propane Gas Coupling Adapter Kit (1/4" Male Pipe Thread x Male Plug) (Quick Connect x Soft Nose P.O.L.)</p> <p>Most commonly used to upgrade old propane gas grill connections to meet the new safety standards.</p> <p>Features:</p> <ul style="list-style-type: none"> • UL Listed • Gas Mate Series 	<p>F276328</p> <p>Excess flow/Full flow</p> <p>F276330</p>
D. F276334	<p>Propane Gas Grill "Quick Connect" Adapter (Quick Connect x Soft Nose P.O.L.)</p> <p>Most commonly used on spare cylinder users of Weber, Ducane, PGS or other grills using the Gas Mate II System.</p> <p>Features:</p> <ul style="list-style-type: none"> • UL Listed • Gas Mate Series 	<p>F276328 excess flow</p> <p>F276281 full flow</p> <p>F276334 Quick Connect Adapter</p> <p>P.O.L. Thread or *QCC-1" Cylinder Valve</p>
E. F276329	<p>Propane Cylinder Fill Plug</p> <p>For use with Mr. Heater's Gas Mate II Quick Connects (7/8" Female P.O.L. x Male Plug)</p> <p>Use L.P. Gas Fill Plug for filling the tank with the Gas Mate II in place</p>	<p>Propane Dealer Filling Wand</p> <p>F276329</p> <p>20 lb. cylinder with F276334 installed</p>





ACCESSORIES

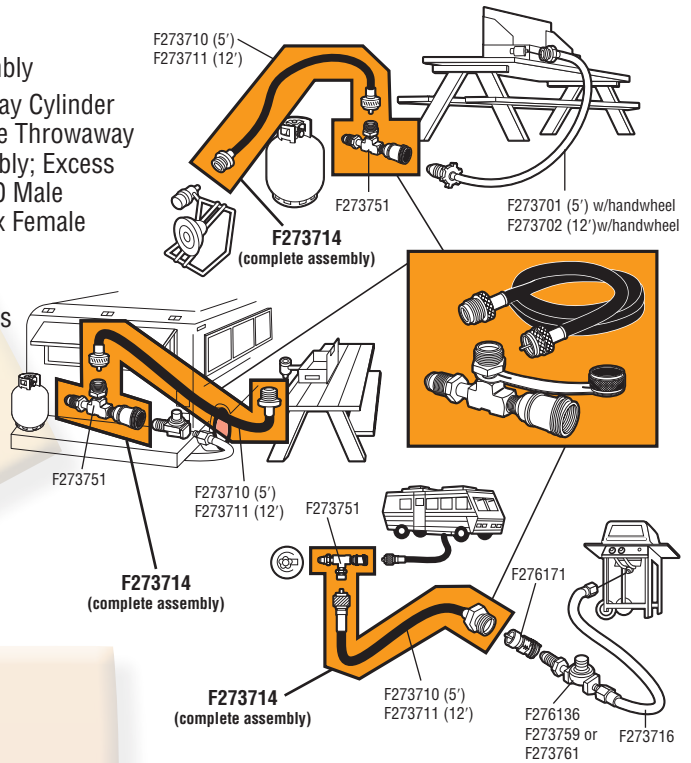
Part# Description Application

A. F273714

Stay Flow

12' Propane Hose/Tee Assembly
(Swivel 1"-20 Male Throwaway Cylinder Thread x Swivel 1"-20 Female Throwaway Cylinder Thread x Tee Assembly; Excess Flow Soft Nose P.O.L. x 1"-20 Male Throwaway Cylinder Thread x Female P.O.L. and Acme Thread)

Most commonly used in recreation vehicle applications to provide an additional source of propane to high pressure appliances. May also be used as a dual source off of a 20 lb. propane cylinder.



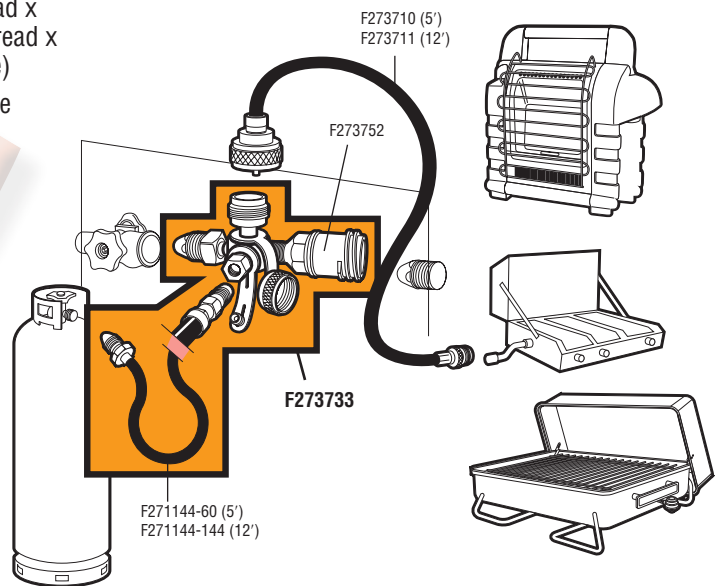
B. F273733

Stay A While

(5' Propane Flexible Pigtail Hose Assembly: Soft Nose Excess Flow P.O.L. x 1/4" Inverted Male Flare; Stay A While Tee: Excess Flow Soft Nose P.O.L. x 1"-20 Male Throwaway Cylinder Thread x Female P.O.L. w/Acme Thread x 1/4" Inverted Female Flare)

Connects auxiliary propane cylinder to motor home. Tee Adapter connects to **NEW** and **OLD** propane connections.

Replacement Parts:
1 F273752:
2 F271144-60 (5'):
F271144-144 (12'):



ACCESSORIES

Part#

Description

Application

A. F273734

Stay A While Deluxe

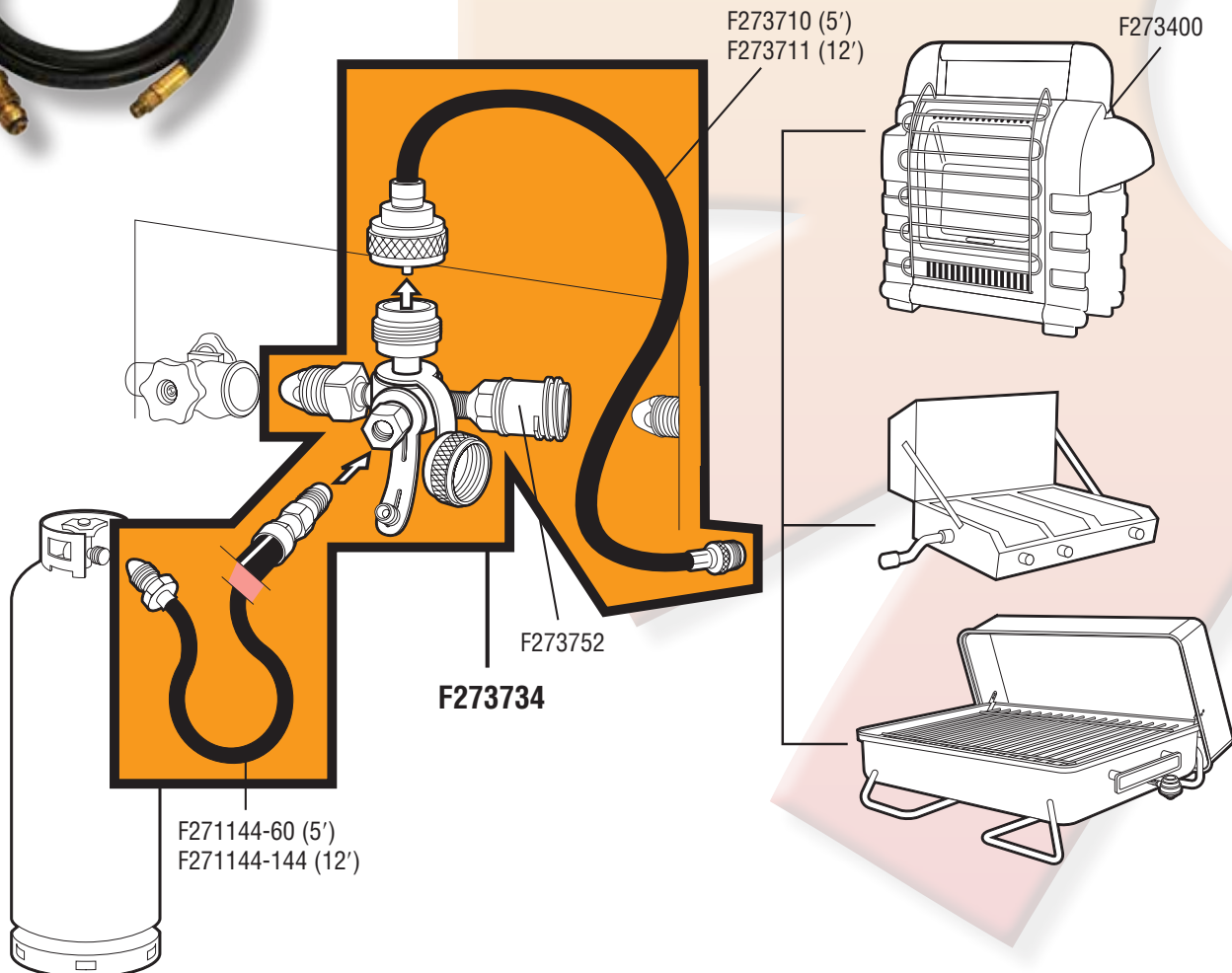
(12' Propane Hose Assembly: Swivel 1"-20 Male Throwaway Cylinder Thread x Swivel 1"-10 Female Throwaway Cylinder Thread; 5' Hose Assembly: Excess Flow Soft Nose P.O.L. x 1/4" Inverted Male Flare; Stay A While Tee: Excess Flow Soft Nose P.O.L. x 1"-20 Male Throwaway Cylinder Thread x Female P.O.L. w/Acme Thread x 1/4" Inverted Female Flare)

Connects auxiliary propane cylinder to motor home and additional appliance.

Tee Adapter connects to **NEW** and **OLD** propane connections.

Replacement Parts:

- 1 F273711
- 2 F273752
- 3 F271144-60 (5')
- F271144-144 (12')





ACCESSORIES

Part#

Description

Application

A. F273735



Stay Flow Plus

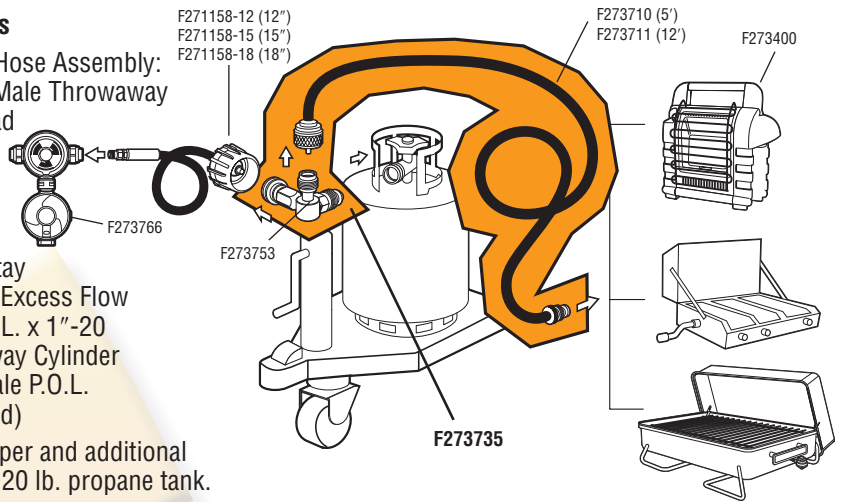
(12' Propane Hose Assembly: Swivel 1"-20 Male Throwaway Cylinder Thread x Swivel 1"-20 Female Throwaway Cylinder Thread; 90° Stay Flow Adapter: Excess Flow Soft Nose P.O.L. x 1"-20 Male Throwaway Cylinder Thread x Female P.O.L. w/Acme Thread)

Connects camper and additional appliance to a 20 lb. propane tank.

90° Adapter connects to **NEW** and **OLD** propane connections.

Replacement Parts:

- 1 F273711: See page 9, item B
- 2 F273753: See page 19, item C



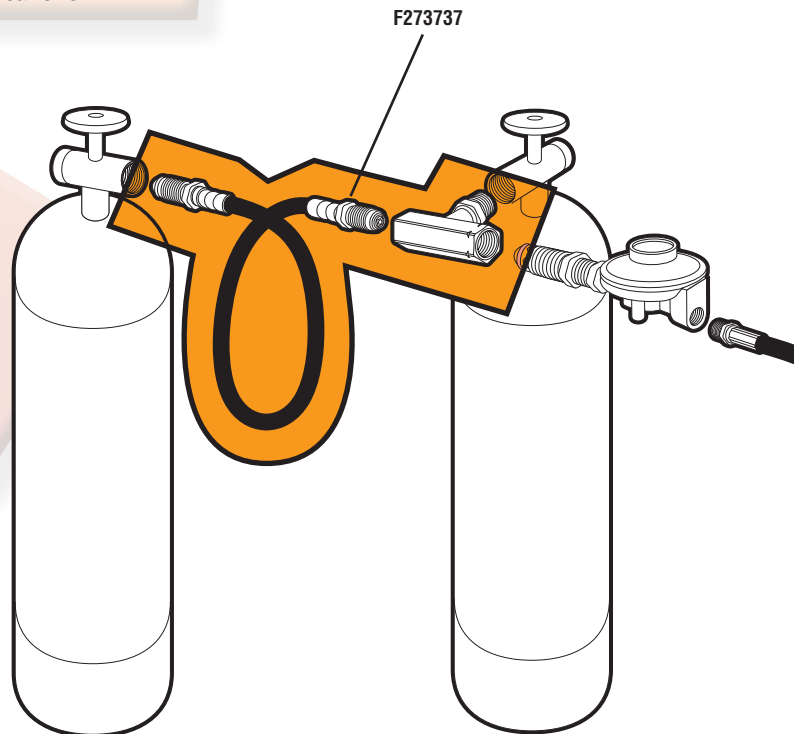
B. F273737



2 Tank Hook Up Kit

(30" Hose Assembly with Excess Flow Soft Nose P.O.L.'s on both ends x Full Flow Tee)

Most commonly used to hook multiple bulk tanks to most applications.



ACCESSORIES

Part#

Description

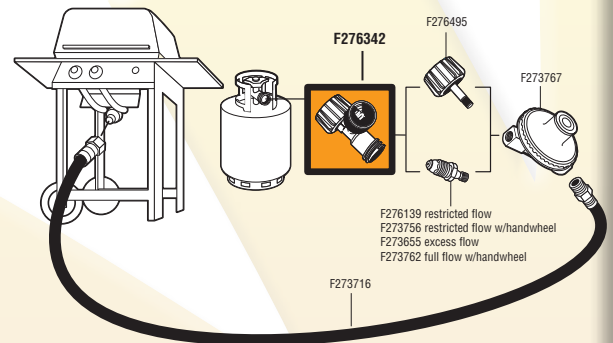
Application

A. F276342



Propane Gauge
(Appliance End Fitting/Acme Nut x Acme Thread and Female P.O.L.)

Detects dangerous leaks in propane system. Gas gauge that also has leak detection capability.



B. F271741

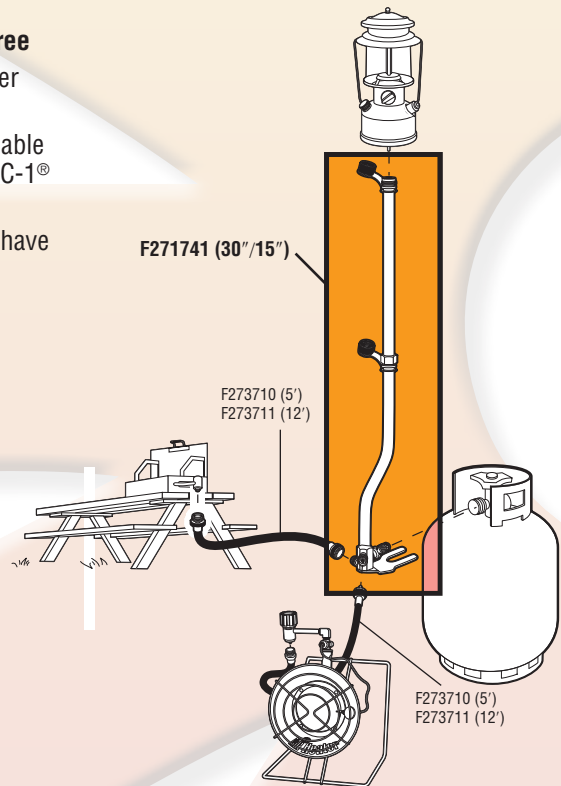


30"/15" Propane Distribution Post/Tree

(Three 1"-20 Male Throwaway Cylinder Threads x Full Flow Soft Nose P.O.L.)

Hook up 3 appliances to a single refillable bulk cylinder. Can hook up to new QCC-1® and old style cylinders.

- The 30" post allows for a lantern to have a larger spread pattern.
- The 15" post focuses the light in a smaller area.
- Includes Carry/Storage Bag

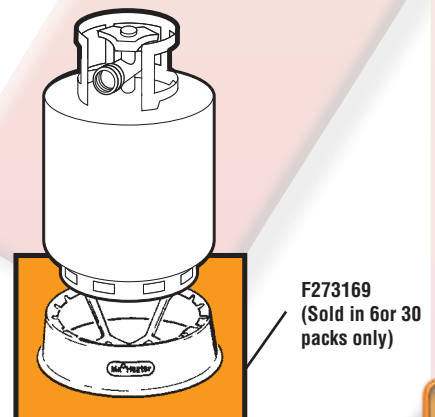


C. F273169-6 (6 PACK)
F273169-30 (30 PACK)



TankFoot® Tank Stabilizer

Fits 20 lb., 30 lb. and 40 lb. cylinders
Reduces risk of tipping cylinder while transporting in your R.V., pick-up, car, etc.





ACCESSORIES

Part#

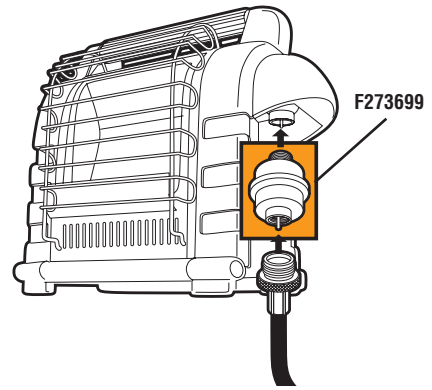
Description

Application

A. F273699

Fuel Filter

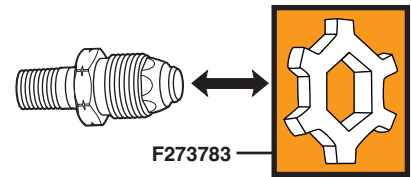
For use with the Mr. Heater Buddy, Big Buddy and Tough Buddy Heaters.
Most commonly used with a bulk cylinder and hose assembly.



B. F273783

Handwheel

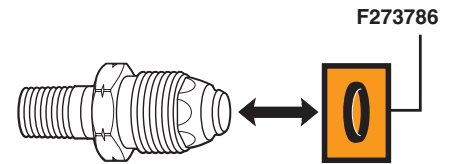
For most Mr. Heater Products
• Can be used with other P.O.L.'s that use a 7/8" open end wrench



C. F273786

O-Ring

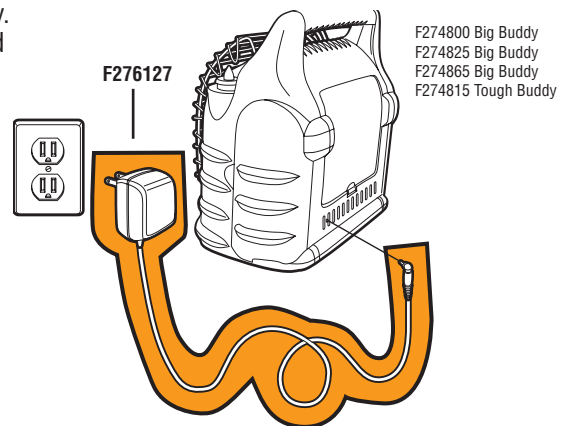
For most Mr. Heater Products



D. F276127

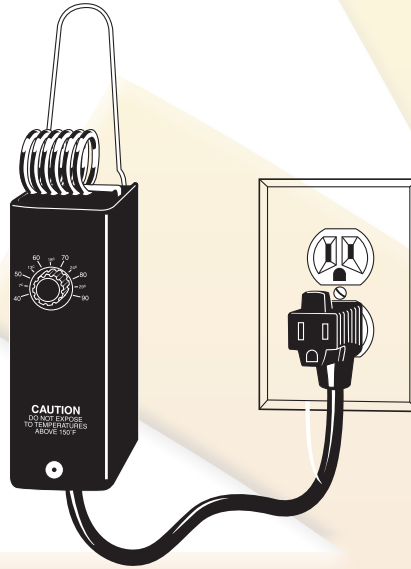
6V/800mA Power Adapter

For use with Mr. Heater's Big and Tough Buddy Heaters. Uses household electricity. Also powers products requiring 6VDC and up to 800mA current.



ACCESSORIES

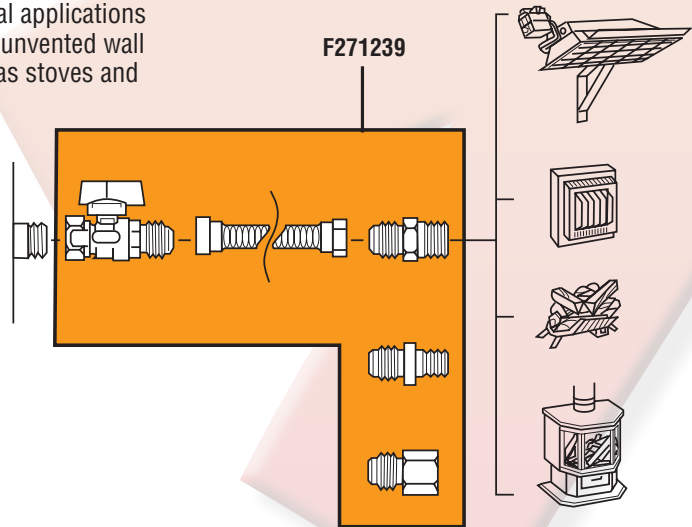
Part#	Description	Application
A. F261210	Thermostat – For Portable Kerosene Forced Air Heaters	



B. F271239

“One Stop” Universal Gas Appliance “Hook-Up” Kit

Everything needed for installation. Complete gas hook-up of most gas appliances. Typical applications include gas logs, unvented wall mount heaters, gas stoves and garage heaters.





INDEX

F261210	Thermostat	29
F271138-20	20' Propane Hose Assembly	4
F271144-144	12' Propane Hose Assembly	4
F271144-60	5' Propane Hose Assembly	4
F271149-36	3' Propane Hose Assembly	4
F271149-72	6' Propane Hose Assembly	4
F271158-12	12" Propane Acme Flexible Pigtail Hose	5
F271158-15	15" Propane Acme Flexible Pigtail Hose	5
F271158-18	18" Propane Acme Flexible Pigtail Hose	5
F271161	22" Repl. Propane BBQ Hose & Regulator Assembly with Appliance End Fitting/Acme Nut	5
F271163-30	30' Propane Hose Assembly	5
F271163-60	5' Propane Hose Assembly	5
F271239	"One Stop Universal Gas Appliance "Hook-Up" Kit	29
F271470	15' Propane Appliance Extension Hose Assembly	6
F271474	15' Propane Appliance Extension Hose Assembly	6
F271715	Propane "Y" Male Adapter with Handwheel	19
F271735	Propane "Y" Female Adapter with Handwheel	18
F271741	30"/15" Propane Distribution Post/Tee	27
F271802	Big/Tough Buddy 12' RV Hose	6
F271803	Big/Tough Buddy 12' RV Hose with Regulator	7
F273071	5' Propane Hose/Regulator Assembly	7
F273072	12' Propane Hose/Regulator Assembly	7
F273169-30	TankFoot Tank Stabilizer (30 PACK) & (6 PACK)	27
F273655	Excess Flow Soft Nose P.O.L. x 1/4" Male Pipe Thread w/Handwheel	12
F273699	Fuel Filter	28
F273701	5' Propane Hose/Regulator Assembly	7
F273702	12' Propane Hose Assembly	7
F273703-144	12' Propane Hose Assembly	8
F273703-60	5' Propane Hose Assembly	8
F273704	10' Buddy Series Propane Hose Assembly	8
F273707	5' Propane Hose Assembly	8
F273707-108	9' Propane Hose Assembly	8
F273710	5' Propane Hose Assembly	9
F273711	12' Propane Hose Assembly	9
F273714	Stay Flow	24
F273716	22" Propane Replacement Barbecue Hose	9
F273717	5' Propane Appliance Extension Hose Assembly	9
F273719	Propane High Pressure Regulator	16
F273720	12' Natural Gas Patio Hose Assembly	10
F273729	1/4" Male Pipe Thread x 1/4" Inverted	12
F273733	Stay A While	24
F273734	Stay A While Deluxe	25
F273735	Stay Flow Plus	26
F273737	Tank Hook Up Kit	26
F273751	Propane Adapter Tee	18
F273752	Stay A While Tee	18

F273753	90° Stay Flow Adapter	19
F273754	1/4" Male Pipe Thread x 1"-20 Female Throwaway Cylinder Thread	12
F273755	1/4" Male Pipe Thread x 1"-20 Male Throwaway Cylinder Thread	12
F273758	Propane Bulk Cylinder Adapter with Handwheel	19
F273759	90° Propane Low Pressure Regulator	17
F273760	90° Elbow	19
F273761	90° Low Pressure Regulator with Appliance End Fitting/Acme Nut	17
F273762	1/4" Male Pipe Thread x Full Flow Soft Nose P.O.L. w/Handwheel	13
F273763	Propane Two-Stage Regulator	15
F273766	Propane Auto-Changeover Two-Stage Regulator (with cover & bracket)	15
F273767	Portable Propane Table Top Regulator	17
F273769	Propane Low Pressure Regulator	16
F273783	Handwheel	28
F273786	O-Ring	28
F273791	1/4" Male Pipe Thread x Female P.O.L. w/Acme Thread	13
F273863	Horizontal Propane Two-Stage Regulator (With P.O.L.)	15
F273868	Horizontal Propane Two-Stage Regulator (Without P.O.L.)	15
F276124	5' Propane Hose Assembly	10
F276127	6V/800mA Power Adapter	28
F276129	9/16" Left Hand Thread x Restricted Flow Soft Nose P.O.L. w/Handwheel	13
F276130	9/16" Left Hand Male Thread x 1"-20 Throwaway Cylinder Thread w/Shutoff	11
F276133	Propane Bulk Cylinder Adapter with Appliance End Fitting/Acme Nut	20
F276136	Propane Low Pressure Regulator	16
F276139	1/4" Male Pipe Thread x Restricted Flow Soft Nose P.O.L. w/Handwheel	11
F276140	Propane Male Throwaway Cylinder Adapter	11
F276148	5' Propane Hose Assembly	10
F276152	1/4" Male Pipe Thread x 9/16" Left Hand Male Thread	14
F276153	3/8" Male Pipe Thread x 9/16" Left Hand Male Thread	14
F276154	9/16" Left Hand Male Pipe Thread x 9/16" Left Hand Male Thread	14
F276171	Propane "Steak Saver" Adapter	21
F276172	Propane Tank Refill Adapter	21
F276181	Propane/Natural Gas Connector Kit w/Shutoff Valve & Full Flow Male Plug	22
F276186	Propane/Natural Gas 1/4" Quick Connector & Excess Flow Male Plug	22
F276187	Propane/Natural Gas 3/8" Quick Connector & Full Flow Male Plug	22
F276190	Propane/Natural Gas Connector & Full Flow Male Plug	22
F276262	3/8" Male Pipe Thread x 3/8" Male Flare	14
F276281	Propane/Natural Gas Full Flow Male Plug	23
F276328	Propane/Natural Gas Excess Flow Male Plug	23
F276329	Propane Cylinder Fill Plug	23
F276330	Propane Gas Coupling Adapter Kit	23
F276334	Propane Gas Grill "Quick Connect" Adapter	23
F276342	Propane Gauge	27
F276400	Propane Brass Cap	21
F276495	Propane Grill Acme Nut (Black)	20
F276497	Propane Acme Nut (Green)	20

Buddy® Heaters

Drawing on decades of experience as a market leader and innovator, Mr. Heater's indoor safe propane Buddy Heaters have become America's Most Popular Portable Heaters. For years, patented Buddy Heaters have done battle against the gripping cold of winter in the hunting blind, deer stand, and even on the cold, open ice where mother nature is at her worst. Buddy Heaters have delivered life saving heat during power outages and natural disasters as well as spot heat in garages, barns, cabins, and workshops across the country. For times when you don't want winter to get in the way—Get a Buddy!!



Four position control with built-in Peizo igniter and lo-hi heat settings.

Fold down handle reduces storage space.

Large heating surface directs radiant heat over wide area.

High temperature wire guard.

Porcelain coated reflector for extended life.

Swivel-out fuel connection for easy LP cylinder or hose installation.

Ceramic burner tile mounted with shock absorbing insulation for durability and easy replacement.

Low-Oxygen safety shut-off (ODS).

Tip-over safety shut-off.

- Ideal for:**
- Emergency Heat
 - Tents/Campers
 - Workshops/ Job Sites
 - Porches/ Patios/Decks
 - Garages/Storage Buildings
 - Picnics Tailgate Parties
 - Construction Trailers
 - Sporting Events
 - Barns/Sheds
 - Hunting Blinds
 - Shelters
 - Ice Fishing Shanties



Buddy heaters are not designed for permanent installation or for use above an altitude of 7,000 ft. Always check local codes for permitted uses.
NOTICE: Not for use in a "dwelling home" in California
 * Certified indoor use in the USA except MA and CA. Outdoor use only in Canada.

CSA Certified

LITTLE Buddy™

MH4B "Little Buddy"® Heater
 3,800 BTU/Hr.
F215100



Compact Portable Heat

Portable Buddy®

MH9BX Portable "Buddy"® Heater
 4,000 and 9,000 BTU/Hr.
F232000



BIG Buddy

MH18B "Big Buddy"® Heater
 4,000/9,000 and 18,000 BTU/Hr.
F274800



220 Hrs. with two 20lb. propane tanks

Get Buddy • Stay Warm • Be Safe





HOSE ASSEMBLIES



REGULATORS



BRASS FITTINGS



ACCESSORIES



Mr. Heater has assembled the industries most complete line of high quality propane hoses, fittings, regulators and accessories. These products allow connections to all types of high and low pressure appliances in the camping, grilling, R.V., and outdoor markets. Mr. Heaters accessories are designed to work universally with all brands of propane appliances. Each individual package explains product uses and make it easy to find the right accessories.

All Mr. Heaters accessories are assembled in the USA .

**WE ARE AMERICA'S LEADING BRAND FOR
PROPANE HOSES, FITTINGS,
REGULATORS AND ACCESSORIES.**

THE ORIGINAL

Mr. Heater®

4560 West 160th Street • Cleveland, OH 44135
P.O. Box 6660 • Cleveland, Ohio 44101-1660
216/916-3000 • Toll Free: 800/251-0001
FAX: 216/916-3012 • Toll Free Fax: 800/321-0552
www.mrheater.com or www.enerco.com