

OPERATING INSTRUCTIONS AND OWNER'S MANUAL



PORTABLE RADIANT BUDDY HEATER

Model #

MH4B

READ INSTRUCTIONS CAREFULLY: Read and follow all instructions. Place instructions in a safe place for future reference. Do not allow anyone who has not read these instructions to assemble, light, adjust or operate the heater.



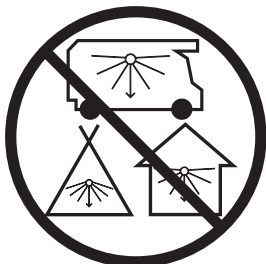
PORTABLE PROPANE HEATER FOR RECREATIONAL AND COMMERCIAL USE
For Canada Sale

Use only Mr. Heater branded accessories
(See page 8 for **WARNING** information)

LANGUAGES INCLUDED:

- ENGLISH
- FRENCH

 **DANGER**



CARBON MONOXIDE HAZARD

This appliance can produce carbon monoxide which has no odor.

Using it in an enclosed space can kill you.

Never use this appliance in an enclosed space such as a camper, tent, car or home.

FOR YOUR SAFETY

If you smell gas:

1. Do not attempt to light appliance.
2. Extinguish any open flames.
3. Disconnect from fuel supply.

FOR YOUR SAFETY

Do not store or use gasoline or other flammable vapors and liquids in the vicinity of this or any other appliance.

WARNING:

⚠ Any changes to this heater or its controls can be dangerous.

WARNING:

⚠ Early signs of carbon monoxide poisoning resemble the flu, with headache, dizziness and/or nausea. If you have these signs, heater may not be working properly. Get fresh air at once! Have heater serviced.

WARNING:

⚠ Every time hose or tank is connected to unit, connection must be checked for leaks in one or more ways: Apply soapy water to connection, look for bubbles, listen for hiss of escaping gas, feel for extreme cold, smell for rotten egg odor. Do not use if leaking!

THE STATE OF CALIFORNIA REQUIRES THE FOLLOWING WARNINGS:

WARNING: Combustion by-products produced when using this product contain carbon monoxide, a chemical known to the State of California to cause cancer and birth defects (or other reproductive harm).

WARNING: This product contains chemicals known to the State of California to cause cancer and birth defects or other reproductive harm.

NOTICE: Not for use in a "dwelling home" in California.

CONTENTS

General Safety Instructions 3

General Information..... 3

Operating with Disposable Propane Cylinders 4

Maintenance..... 4

Troubleshooting 5

Parts List..... 6

Parts Ordering Information 8

Service Information..... 8

SPECIFICATIONS

MODEL NO. MH4B

GAS TYPE.....PROPANE

INPUT BTU/HR..... 3,800

CLEARANCE TO COMBUSTIBLES

TOP 30"

FRONT24"

SIDES 6"

REAR..... 0"

GENERAL SAFETY INSTRUCTIONS

THIS IS A HEATING APPLIANCE. DO NOT OPERATE THIS APPLIANCE WITHOUT THE FRONT WIRE GUARD INSTALLED. DO NOT ATTEMPT TO WARM OR COOK FOOD ON THIS HEATER.

- Do not use non-approved attachments on this heater.
- Due to high temperatures, the appliance should be located out of traffic and away from combustible materials.
- Children and adults should be alerted to the hazard of high surface temperatures and should stay away to avoid burns or clothing ignition.
- Young children should be carefully supervised when they are near the appliance.
- Do not place clothing or other flammable material on or near the appliance.
- Do not operate heater in any moving vehicle.
- This heater is for outdoor use only.
- GAS PRESSURE AT HEATER IS REGULATED AND FIXED AT 11" W.C.
- REGULATOR IN HEATER MUST ALWAYS BE IN PLACE DURING OPERATION.
- Any safety screen or guard removed for servicing the appliance must be replaced prior to operating the heater.
- The appliance should be inspected before each use. Frequent cleaning may be required. The control compartments, burner and circulating air passageways of the appliance must be kept clean, see MAINTENANCE.
- DO NOT use this heater if any part has been under water. Immediately call a qualified service technician to inspect the heater and to replace any part of the control system and any gas control, which has been under water.
- When used without adequate combustion and ventilation air, this heater may give off excessive CARBON MONOXIDE, an odorless, poisonous gas.
- Some people - pregnant women, persons with heart or lung disease, anemia, those under the influence of alcohol, those at high altitudes - are more affected by carbon monoxide than others.
- When heater is placed on the ground, make sure the ground is level and keep any objects at least 24 inches from the front of the heater. THIS HEATER IS EQUIPPED WITH A TIP OVER SWITCH THAT WILL SHUT THE HEATER OFF IF THE HEATER TIPS OVER HOWEVER, DO NOT LEAVE HEATER UNATTENDED OR WHERE CHILDREN MAY CAUSE THE HEATER TO TIP OVER. NEVER OPERATE THE HEATER WHILE SLEEPING!
- Do not leave this appliance unattended while it is in operation.



GENERAL INFORMATION:

- When the heater is cold, it will take a few minutes for the burner tile to turn bright orange. This is normal and the heater is working properly. If burner tile is visibly flaming, turn heater off and call a qualified service technician.
- When the unit is lit, there should be about a quarter inch border around the tile that will not turn bright orange. This is normal.
- When operating the heater for the first time, the top area of the reflector may discolor. This is also normal and is no reason for concern.
- Designed to operate at altitudes up to 7,000 feet. When operating the heater at altitudes over 7,000 FT. above sea level, the unit may not burn as bright as in lower altitudes. This is normal. At higher altitudes, the heater may shut-off. If this happens, provide fresh air, wait 5 minutes and re-light. If the heater continues to shut off, there may not be enough oxygen available to feed proper combustion.
- Operating time will be approximately 5 1/2 hours on a one 1lb cylinder. Due to the properties of LP gas, runtimes can be significantly reduced when operating continuously at temperatures below 20°F.
- This heater is equipped with a tip-over safety switch. Nuisance shut-downs may be experienced if the unit is bumped or moved. If this occurs simply relight the heater.
- Due to natural operation of small tanks, condensation may build up on tank and drip on surface under heater. Sometimes this condensation may freeze due to the extreme cold caused when propane vaporizes. This is normal and no reason for alarm.

LIGHTING / OPERATING INSTRUCTIONS

WARNING: Always inspect propane cylinder and heater propane connections for damage, dirt, and debris before attaching propane cylinder. Do not use if head of cylinder is damaged, punctured or deteriorated.

ALWAYS ATTACH OR DETACH CYLINDER OUTDOORS AWAY FROM FLAMES, OTHER IGNITION SOURCES, AND ONLY WHEN HEATER IS COOL TO TOUCH. NEVER SMOKE WHEN ATTACHING OR REMOVING PROPANE CYLINDER!

- LP cylinders must be marked in accordance with "Cylinders, Spheres and Tubes for Transportation of Dangerous Goods, CAN/CSA B339".
- Use only LP-gas cylinders marked in accordance with the U.S. Dept. of Transportation (DOT).
- Use only 16.4 oz. (1 lb.) disposable cylinders that mate with No. 600 valve connection.
- Heater and attached cylinder must be in an upright position during operation.
- Screw 1 lb. disposable LP-gas supply cylinder clockwise (from bottom) into portable heater until hand-tight and fit cylinder into stand. Do not use thread sealant on this connection.
- Check cylinder connection for leaks with soapy water at the threaded connection under the domed plastic cover where the cylinder screws into the regulator. SEE WARNING! ON PLASTIC COVER.
- Depress "ON" button to light pilot flame (repeat until pilot lights) and continue to hold for 30-60 seconds.
- After lighting pilot, release "ON" button to light heater.
- To shut off heater, press the "OFF" button.
- **CAUTION:** After turning heater off, wire guard will remain hot. Allow to thoroughly cool before storing.
- Do not operate, store or remove cylinder near flammable items or ignition sources.
- LP-GAS CYLINDERS MUST BE DISCONNECTED FROM HEATER WHEN NOT IN USE!
- Heater must not be exposed to flammable vapors or liquids during ignition or operation.

MAINTENANCE:

Always keep the heater area clear and free from combustible materials, gasoline and other flammable vapors and liquids.

Keep the vent areas (slots in the bottom and top of the heater) clear at all times.

Visually inspect the pilot flame and burner periodically during use. The pilot flame should be blue in color (not yellow) and will extend to the thermocouple. The flame will surround the thermocouple just below the tip, see Figure 2.

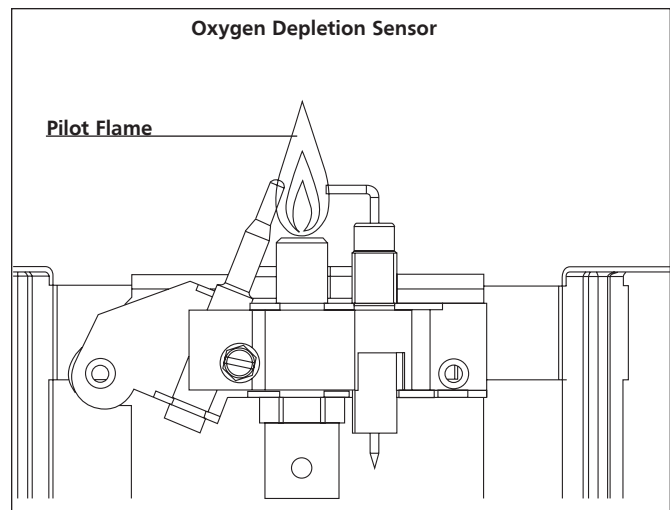


Figure 2

A slight yellow flame may occur where the pilot flame and main burner flame meet. The burner should be bright orange (with a slight blue color around the border, a red-orange haze that is visible on the ceramic tile is acceptable) and without a noticeable flame.

A blue flame that rolls out at the top of the ceramic tile indicates an accumulation of dust, lint or spider webs inside the housing assembly and main burner assembly. If the pilot is yellow or the burner has a noticeable flame, cleaning may be required. Use the following procedure to inspect the casing assembly and main burner assembly. It is necessary to periodically check the burner orifice and burner venturi to make sure that they are clear of insects/nests or spider webs that may accumulate over time. A clogged tube can lead to a fire.

CLEANING INSTRUCTIONS:

1. Allow heater to thoroughly cool before performing any maintenance.
2. Remove disposable 1 lb. propane cylinder from heater.
3. Remove right side plastic service panel (ref.5) by removing the six screws holding it in place.
4. Inspect the interior of casing for accumulation of dust, lint or spider webs. If necessary, clean the interior of the casing assembly with a vacuum cleaner or compressed air (max 30 psi). Do not damage any components within the casing assembly when you are cleaning.
5. Inspect and clean main burner (ref. 13) and orifice (ref. 3) by using a vacuum or compressed air (max 30 psi).
6. Inspect and clean pilot tube (ref. 14). Insert a doubled over pipe cleaner into the pilot tube until it bottoms against the pilot orifice (approximately 2"). Rotate the pipe cleaner a couple of times and remove. Blow out the remaining debris using compressed air.

WARNING: Never use needles, wires or similar cylindrical objects to clean the pilot to avoid damaging the calibrated ruby that controls the gas flow through the pilot orifice.

7. Apply compressed air (max 30 psi) into the ceramic tile of burner assembly and venturi tube (ref. 13) to remove dust, lint and spider webs.
8. Reinstall the right side plastic service panel.

TROUBLESHOOTING INFORMATION:

If Spark electrode does not produce spark.

CHECK

- Spark electrode broken – replace.
- Igniter wire may not be attached to spark electrode. – attach
- Igniter wire damaged – replace.
- Piezo igniter defective – replace gas valve assembly.

If Spark electrode produces spark but pilot does not light.

CHECK

- No gas to heater – re-install or replace gas cylinder.
- Pilot is blocked from spider web or dirt – clean pilot, see MAINTENANCE.

If Pilot flame does not stay lit when button is released.

CHECK

- “Pilot/Ignition” button not held long enough to purge air from line.
- Pilot flame not surrounding thermocouple – clean pilot, see MAINTENANCE.
- Pilot Assembly defective – replace.
- Tip switch wires disconnected – connect tip switch (check off switch and off switch wiring).

If Main burner does not ignite.

CHECK

- Main burner orifice is blocked – clean burner, see MAINTENANCE.

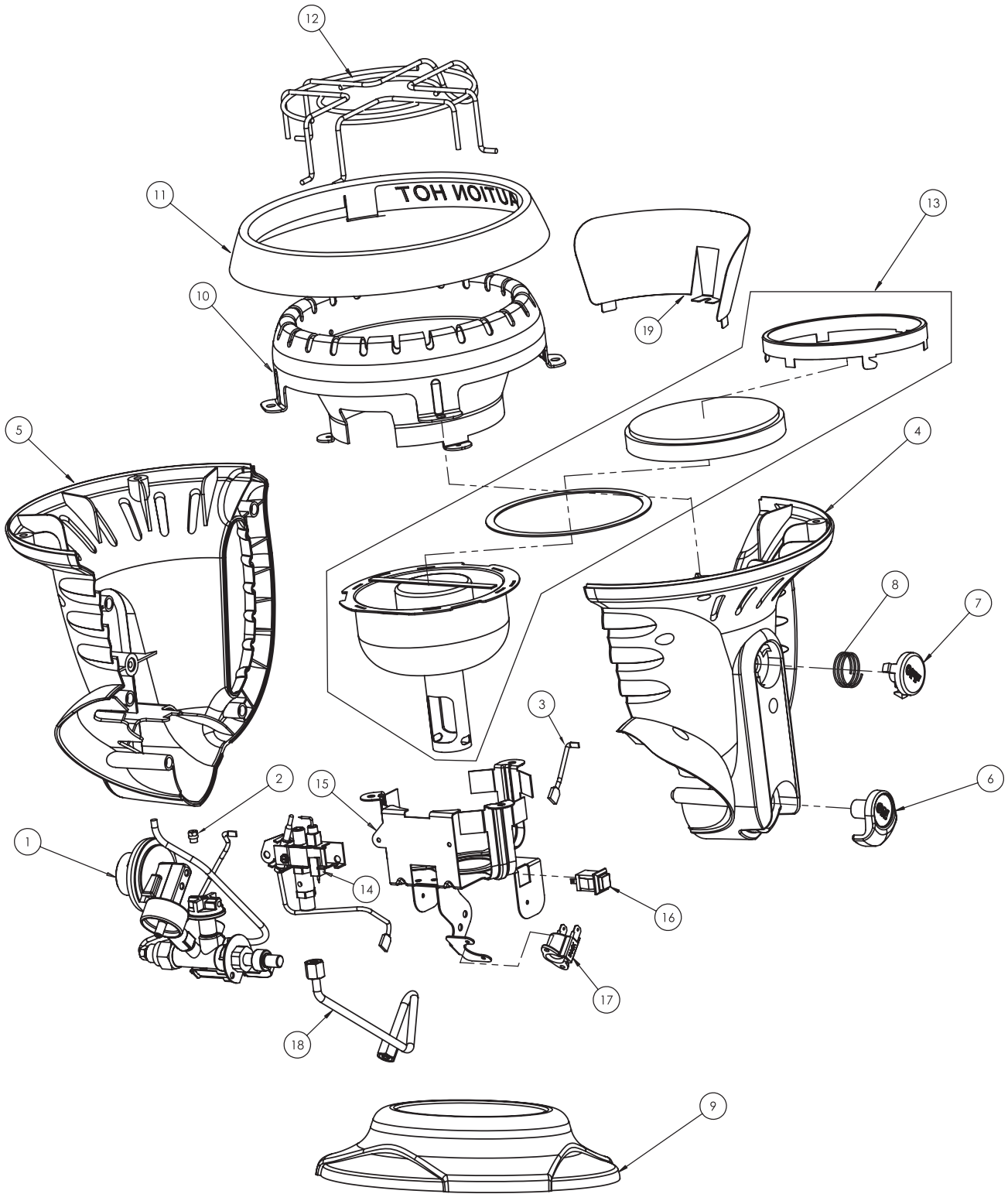
If Heater keeps shutting “OFF” during normal operation.

CHECK

- Pilot is blocked – clean pilot, see MAINTENANCE.
- Provide minimum fresh air opening of 4 square inches (example 2” x 2” opening).
- Tip over switch activated from bumping heater. Re-light

—INTENTIONALLY LEFT BLANK—

Mr. Heater MH4B





PORTABLE RADIANT BUDDY HEATER

Model #

MH4B

READ INSTRUCTIONS CAREFULLY: Read and follow all instructions. Place instructions in a safe place for future reference. Do not allow anyone who has not read these instructions to assemble, light, adjust or operate the heater.

WARNING:

USE ONLY MANUFACTURER'S REPLACEMENT PARTS. USE OF ANY OTHER PARTS COULD CAUSE INJURY OR DEATH. REPLACEMENT PARTS ARE ONLY AVAILABLE DIRECT FROM THE FACTORY AND MUST BE INSTALLED BY A QUALIFIED SERVICE AGENCY.

WARNING:

THIS PRODUCT IS A HEATER. IT IS CERTIFIED TO CSA INTERNATIONAL REQUIREMENT SECTION 4.98, "GAS FIRED PORTABLE HEATERS FOR RECREATIONAL OR COMMERCIAL USE." THIS PRODUCT IS **NEVER** TO BE USED FOR THE COOKING OR WARMING OF FOODS AS DOING SO CAN INTERFERE WITH THE SAFETY SYSTEMS OF THE HEATER, WHICH MAY RESULT IN A FIRE, EXPLOSION, THE PRODUCTION OF DEADLY CARBON MONOXIDE, AND PERSONAL INJURY OR DEATH TO YOU OR OTHERS. **NEVER** USE HAND-MADE OR THIRD PARTY ACCESSORIES OR ATTACHMENTS WITH THIS HEATER; THIS IS EXTREMELY DANGEROUS AND MAY RESULT IN PERSONAL INJURY OR DEATH TO YOU OR OTHERS.

PARTS ORDERING INFORMATION:

PURCHASING: Accessories may be purchased at any Mr. Heater local dealer or direct from the factory

FOR INFORMATION REGARDING SERVICE

Please call Toll-Free 800-251-0001
www.mrheater.com

Our office hours are 8:00 AM – 5:00 PM, EST, Monday through Friday.

Please include the model number, date of purchase, and description of problem in all communication.

LIMITED WARRANTY

Mr. Heater, Inc. warrants its heaters and accessories to be free from defects in material and workmanship for a period of 1 year from date of purchase. Mr. Heater, Inc. will repair or replace this product free of charge if it has been proven to be defective within the 1-year period, and is returned at customer expense with proof of purchase to Mr. Heater, Inc. within the warranty period. **DISCLAIMER:** This warranty does not cover any product that: a) has been subject to misuse or neglect; b) has been used in a manner inconsistent with the warnings and instructions contained in the owner's manual, including but not limited to using a heater for the cooking or warming of foods; or c) has been used with hand-made or third party accessories or attachments. This warranty gives you specific legal rights, and you may also have other rights which vary from state to state.

Mr. Heater, Inc. reserves the right to make changes at any time, without notice or obligation, in colors, specifications, accessories, materials and models.

PRODUCT REGISTRATION: Thank you for your purchase.
Please log in to <http://www.egiregistration.com> to register your product.

MR. HEATER, INC., 4560 W. 160TH ST., CLEVELAND, OHIO 44135 • 800-251-0001
Mr. Heater and Portable Buddy are registered trademarks of Enerco Group, Inc.
© 2017, Enerco/Mr. Heater. All rights reserved



ANSI Z21.63-2011 -
CSA. 11.3-2011

GUIDE D'UTILISATION ET INSTRUCTIONS DE FONCTIONNEMENT



RAYONNANTE PORTABLE BUDDY CHAUFFE

MODÈLE

MH4B

LISEZ SOIGNEUSEMENT LES INSTRUCTIONS : Lisez et observez toutes les instructions. Conservez les instructions pour vous y référer ultérieurement. Interdisez à quiconque n'ayant pas lu les présentes instructions d'assembler, d'allumer, de régler ou de faire fonctionner cet appareil de chauffage.



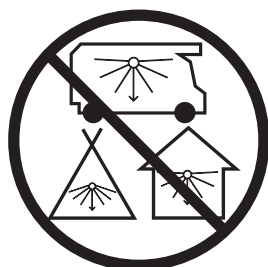
APPAREIL DE CHAUFFAGE PORTATIF AU
GAZ PROPANE À USAGE RÉCRÉATIF ET
COMMERCIAL

À des fins de vente au Canada

LANGUES INCLUSES:

- ENGLISH
- FRENCH

! DANGER



PRODUCTION DE MONOXYDE DE CARBONE

Cet appareil produit du monoxyde de carbone, un gaz inodore. Par conséquent, le fait de l'utiliser dans un endroit fermé risque de causer la mort. N'utilisez jamais cet appareil dans un endroit fermé tel qu'une tente, un véhicule récréatif, une automobile ou une maison.

POUR VOTRE SÉCURITÉ

Si vous percevez une odeur de gaz :

1. N'essayez pas d'allumer l'appareil de chauffage.
2. Éteignez toute flamme nue.
3. Coupez l'alimentation en combustible.

POUR VOTRE SÉCURITÉ

N'entreposez et n'utilisez pas d'essence ou d'autres liquides ou vapeurs inflammables à proximité de ce type d'appareil ou de tout autre appareil.

AVERTISSEMENT :

⚠ Chaque fois que l'appareil est raccordé au réservoir, l'étanchéité des raccords doit être vérifiée d'au moins une façon : enduisez les raccords d'eau savonneuse et surveillez l'apparition de bulles; soyez attentif au sifflement produit par une fuite de gaz, à une sensation de grand froid ou à une odeur d'œuf pourri. N'utilisez pas l'appareil s'il y a des fuites!

AVERTISSEMENT :

⚠ Toute modification de cet appareil de chauffage ou de ses commandes constitue un danger.

AVERTISSEMENT :

⚠ Les signes avant-coureurs d'intoxication au monoxyde de carbone ressemblent aux symptômes de la grippe accompagnés de mal de tête, d'étourdissement et de nausée. Si vous ressentez ces maux, l'appareil de chauffage ne fonctionne peut-être pas correctement. Allez immédiatement à l'air libre! Faites inspecter l'appareil de chauffage.

AVERTISSEMENT :

⚠ CET APPAREIL DE CHAUFFAGE NE DOIT PAS ÊTRE UTILISÉ À L'INTÉRIEUR!

L'ÉTAT DE LA CALIFORNIE IMPOSE L'AVERTISSEMENT SUIVANT :

AVERTISSEMENT :

L'utilisation de cet appareil crée des sous-produits de combustion contenant du monoxyde de carbone, un produit chimique reconnu par l'État de la Californie comme cause de cancer et d'anomalies congénitales (ou autres risques pour la reproduction).

AVERTISSEMENT :

D'après l'État de Californie, ce produit contient des substances chimiques susceptibles d'être cancérogènes, de causer des anomalies congénitales ou d'autres problèmes reproductifs.

REMARQUEZ :

Pas pour l'utilisation dans une 'habitation a la maison' a Californie.

TABLE DES MATIÈRES

Instructions générales en matière de sécurité.....	F3
Renseignements généraux.....	F3
Fonctionnement avec des bouteilles de propane jetables.....	F4
Entretien.....	F4
Dépannage.....	F5
Liste des pièces.....	F6
Information sur la commande de pièces.....	F8
Information sur le service.....	F8

SPÉCIFICATIONS

MODÈLE N	MH4B
TYPE DE GAZ	PROPANE
PUISSANCE BTU/H.....	3 800
DISTANCE DES MATÉRIAUX COMBUSTIBLES	
DESSUS	76 cm
AVANT.....	61 cm
CÔTÉS.....	15 cm
ARRIÈRE	0 cm

INSTRUCTIONS GÉNÉRALES EN MATIÈRE DE SÉCURITÉ

CET APPAREIL SERT AU CHAUFFAGE. NE LE FAITES PAS FONCTIONNER SANS LA GRILLE PROTECTRICE. NE PAS ESSAYER DE CHAUFFER OU CUIRE LES ALIMENTS SUR LA CHAUFFAGE.

- Ne pas utiliser non accessoires approuvés sur ce chauffage.
- En raison des températures élevées qu'il atteint, cet appareil doit être placé à distance des lieux de passage et des matériaux combustibles.
- Les adultes comme les enfants doivent être mis au courant des risques qu'entraînent les températures élevées des surfaces afin d'éviter les brûlures et l'inflammation des vêtements.
- Les jeunes enfants doivent être étroitement surveillés lorsqu'ils sont à proximité de l'appareil.
- Ne placez pas de vêtements ou de matière inflammable sur l'appareil ou près de celui-ci.
- Ne faites pas fonctionner l'appareil dans un véhicule en mouvement.
- Cet appareil de chauffage est conçu uniquement pour être utilisé à l'extérieur.
- LA PRESSION DE GAZ DANS L'APPAREIL DE CHAUFFAGE EST RÉGLÉE ET FIXÉE À 11 POUCES D'EAU.
- LE RÉGULATEUR DE L'APPAREIL DE CHAUFFAGE DOIT TOUJOURS ÊTRE EN PLACE LORS DE SON FONCTIONNEMENT.
- Tout dispositif de protection enlevé lors de l'entretien de l'appareil doit être replacé avant de faire fonctionner ce dernier.
- L'appareil doit être inspecté avant chaque utilisation. De fréquents nettoyages peuvent s'avérer nécessaires. Les boîtiers de commande, le brûleur et les passages de ventilation de l'appareil doivent rester propres (voir ENTRETIEN).
- N'UTILISEZ PAS l'appareil si l'une de ses parties est mouillée. Appelez immédiatement un technicien qualifié pour qu'il inspecte l'appareil de chauffage et remplace les parties du système de commandes et de contrôle du gaz qui ont été exposées à l'eau.
- Si l'appareil de chauffage est utilisé sans l'apport d'air nécessaire à la combustion et à la ventilation, il produira une quantité excessive de MONOXYDE DE CARBONE, un gaz toxique et inodore.
- Certaines personnes, notamment celles enceintes, celles affectées de problèmes cardio-respiratoires, celles sous l'influence de l'alcool et celles se trouvant à de hautes altitudes, seront davantage affectées par le monoxyde de carbone que les autres.
- Lorsque l'appareil de chauffage est placé sur le sol, assurez-vous que ce dernier est de niveau. Gardez les objets à une distance de 60 cm (24 po) de l'avant de l'appareil. CET APPAREIL DE CHAUFFAGE EST MUNI D'UN INTERRUPTEUR QUI L'ÉTEINDRA EN CAS DE BASCULEMENT. NE LAISSEZ CEPENDANT PAS L'APPAREIL SANS SURVEILLANCE, PARTICULIÈREMENT SI DES ENFANTS RISQUENT DE LE FAIRE BASCULER. NE FAITES JAMAIS FONCTIONNER L'APPAREIL PENDANT VOTRE

SOMMEIL!

- Ne laissez pas cet appareil sans surveillance lorsqu'il est en marche.



INFORMATIONS GÉNÉRALES :

- Lorsque l'appareil de chauffage est froid, il faudra quelques minutes pour que le bloc de brûleur devienne orangé. Ceci est normal : l'appareil de chauffage fonctionne correctement. Si le bloc de brûleur est visiblement enflammé, éteignez l'appareil de chauffage et appelez un technicien qualifié.
- Lorsque l'unité est allumée, il doit y avoir un espace d'un demi-centimètre entourant le bloc qui ne devienne pas orangé. Ceci est normal.
- Au premier fonctionnement de l'appareil, il est possible que la surface supérieure du réflecteur se décolore. Ceci est aussi normal et il n'y a pas raison de s'en inquiéter.
- L'appareil est conçu pour fonctionner à des altitudes pouvant atteindre 2 133 m (7 000 pieds). En faisant fonctionner l'appareil à une altitude supérieure à 2 133 m, il est possible que l'unité ne brûle pas aussi intensément qu'en basse altitude. Ceci est normal. À des altitudes encore plus élevées, l'appareil de chauffage risque de s'éteindre. Si cela se produisait, faites circuler de l'air frais, attendez cinq minutes et allumez-le de nouveau. Si l'appareil de chauffage continue de s'éteindre, il n'y a peut-être pas assez d'oxygène pour permettre une combustion suffisante.
- La durée de fonctionnement est d'environ 5,5 h pour une bonbonne de 500 g. En raison des propriétés de gaz de pétrole liquéfié, les temps d'exécution peuvent être considérablement réduits lorsqu'on opère en continu à des températures inférieures à -6,6°C. Nous recommandons un réservoir de GPL de 9 Kg dans ces conditions.
- En déplaçant l'appareil de chauffage en marche ou en le heurtant, il est possible que l'interrupteur antibascule l'éteigne. Si cela se produit, allumez-le de nouveau.
- En raison du fonctionnement normal des petites bonbonnes, la condensation peut s'accumuler et du liquide peut se retrouver sous l'appareil de chauffage.

INSTRUCTIONS D'ALLUMAGE ET DE FONCTIONNEMENT

AVERTISSEMENT : Vérifiez toujours les raccords de la bouteille et de l'appareil de chauffage avant de les relier pour détecter la présence de particules, de poussières et de dommages. Si l'embout de la bouteille est endommagé ou percé, ne vous en servez pas.

FAITES ET DÉFAITES TOUJOURS LE RACCORDEMENT À LA BOUTEILLE À L'EXTÉRIEUR, LOIN D'UNE FLAMME NUE OU D'UNE AUTRE SOURCE DE CHALEUR ET SEULEMENT SI L'APPAREIL DE CHAUFFAGE EST FROID AU TOUCHER. NE FUMEZ JAMAIS EN RACCORDANT OU EN RETIRANT LA BOUTEILLE DE PROPANE NI EN RACCORDANT À DISTANCE!

- Les bonbonnes de propane liquéfié doivent être identifiées conformément à « Bonbonnes, sphères et récipients pour le transport des marchandises dangereuses, CAN / CSA B339 ».
- N'utilisez que les bouteilles de gaz propane liquéfié conformes aux normes de l'U.S. Dept. of Transportation (DOT).
- N'utilisez que des bouteilles jetables de 500 g (1 lb) munies du raccord de soupape n° 600.
- L'appareil de chauffage et la bouteille doivent être en position verticale pendant le fonctionnement.
- Vissez la bouteille de gaz jetable de 500 g dans le sens des aiguilles d'une montre (vue du bas) dans l'appareil de chauffage portatif jusqu'à ce que vous la sentiez serrée et ajustez-la au support. NE PAS utiliser du produit d'étanchéité pour filetages sur cette liaison
- Vérifiez si le raccord fuit en enduisant d'eau savonneuse le raccord fileté situé sous le couvercle bombé en plastique, là où la bouteille se visse dans le régulateur. LISEZ L'AVERTISSEMENT! SUR LE COUVERCLE DE PLASTIQUE.
- Appuyez sur le bouton de mise en marche (« ON ») pour allumer la flamme de la veilleuse (répéter jusqu'à l'allumage) et continuez à appuyer sur le bouton pendant 30 à 60 secondes.
- Une fois la veilleuse allumée, arrêtez d'appuyer sur le bouton de mise en marche pour allumer l'appareil de chauffage.
- Pour éteindre l'appareil de chauffage, appuyez sur le bouton d'arrêt (« OFF »).
- **ATTENTION** : Après avoir éteint l'appareil de chauffage, la grille protectrice restera chaude. Laissez-la refroidir complètement avant de remiser l'appareil.
- N'utilisez pas, ne remisez pas et n'enlevez pas la bouteille de gaz près d'objets inflammables ou de sources de chaleur.
- LA BOUTEILLE DE GAZ PROPANE LIQUÉFIÉ DOIT ÊTRE ENLEVÉE DE L'APPAREIL DE CHAUFFAGE LORSQU'IL N'EST PAS UTILISÉ!
- L'appareil de chauffage ne doit pas être exposé à des vapeurs ou liquides inflammables pendant l'allumage ou le fonctionnement.

ENTRETIEN

Conservez les alentours de l'appareil de chauffage propres et libres de matériaux combustibles, d'essence ou d'autres liquides ou vapeurs inflammables.

Faites en sorte que les espaces de ventilation (les fentes dans les sections supérieures et inférieures de l'appareil de chauffage) soient dégagés en tout temps.

Inspectez visuellement la flamme de la veilleuse et le brûleur régulièrement au cours de l'utilisation. La flamme de la veilleuse doit être bleue, et non jaune, et s'étendra au thermocouple. La flamme doit entourer le thermocouple juste en dessous de son extrémité (voir Figure 2).

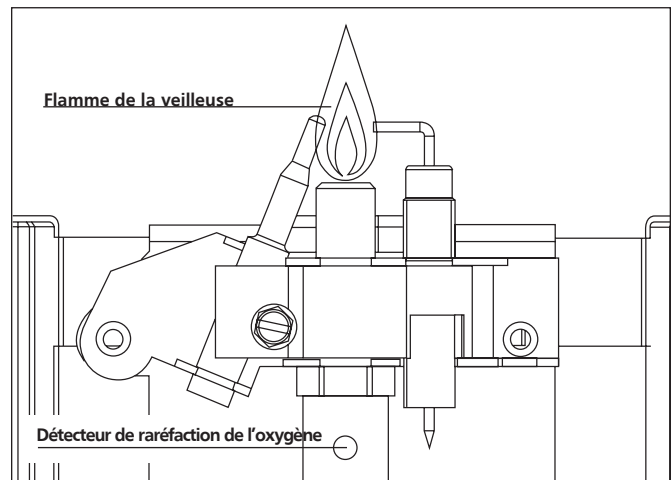


Figure 2

Il est possible qu'une faible flamme jaune apparaisse là où se rencontrent la flamme veilleuse et la flamme principale du brûleur. Le brûleur doit être orange vif (avec un peu de bleu sur le contour; une brume rouge orangée visible sur le bloc céramique est acceptable) sans flamme apparente.

Une flamme bleue qui s'échappe du bloc céramique indique une accumulation de poussière, de peluches ou de toiles d'araignée à l'intérieur du boîtier ou du compartiment du brûleur. Si la flamme veilleuse est jaune ou que le brûleur dégage une flamme visible, un nettoyage s'impose. Respectez la méthode suivante pour inspecter le boîtier et le compartiment du brûleur. Il est nécessaire de vérifier régulièrement l'orifice du brûleur et son tube diffuseur pour vous assurer qu'ils sont dégagés des nids d'insectes et des toiles d'araignées qui s'y accumulent avec le temps. Un tube obstrué peut causer un incendie.

INSTRUCTIONS POUR LE NETTOYAGE :

1. Laissez l'appareil de chauffage refroidir complètement avant d'en effectuer l'entretien.
 2. Retirez la bouteille de propane jetable de 500 g de l'appareil de chauffage.
 3. Retirez le panneau de droite pour l'entretien (réf. 5) en retirant les six vis qui le maintiennent en place.
 4. Vérifiez à l'intérieur du boîtier la présence de poussière, de peluches ou de toiles d'araignée. Au besoin, nettoyez l'intérieur du boîtier à l'aide d'un aspirateur ou d'air comprimé (30 kPa maximum). N'endommagez aucune pièce du boîtier au cours du nettoyage.
 5. Inspectez et nettoyez le brûleur principal (réf. 13) et l'orifice (réf. 3) à l'aide d'un aspirateur ou d'air comprimé (30 kPa maximum).
 6. Inspectez et nettoyez le tube de la veilleuse (réf. 14). Pour nettoyer, insérez un long écouvillon dans le tube de la veilleuse jusqu'à ce qu'il atteigne le bas de l'orifice de la veilleuse (environ 5 cm). Faites tourner l'écouvillon deux ou trois fois puis retirez-le. Soufflez les débris restants en injectant de l'air comprimé.
- AVERTISSEMENT** : N'utilisez jamais d'aiguilles, de broches ou d'autres objets de ce type pour nettoyer la veilleuse afin d'éviter d'endommager la pointe calibrée qui contrôle le débit du gaz dans l'orifice de la veilleuse.
7. Injectez de l'air comprimé (30 kPa maximum) sur le bloc céramique du compartiment du brûleur et sur le tube diffuseur (réf. 13) pour enlever la poussière, les peluches et les toiles d'araignée.
 8. Installez de nouveau le panneau de droite pour l'entretien.

DÉPANNAGE

Si l'électrode ne produit pas d'étincelle.

VÉRIFIEZ

- Si l'électrode est brisée : à remplacer.
- Si le fil de l'allumeur n'est pas attaché à l'électrode, attachez-le.
- Si le fil de l'allumeur est endommagé, remplacez-le.
- Si l'allumeur piézo est défectueux, remplacez le compartiment de la valve de gaz.

Si l'électrode produit une étincelle mais que la veilleuse ne s'allume pas.

VÉRIFIEZ

- S'il n'y a pas de gaz dans l'appareil de chauffage, installez de nouveau ou remplacez la bouteille de gaz.
- Si la veilleuse est obstruée par des fils d'araignée ou de la saleté : nettoyez-la (voir ENTRETIEN).

Si la flamme de la veilleuse ne reste pas allumée lorsque vous relâchez le bouton.

VÉRIFIEZ

- Si le bouton de mise en marche n'est pas tenu enfoncé assez longtemps pour extraire l'air du tuyau.
- Si la flamme de la veilleuse n'entoure pas le thermocouple : nettoyez la veilleuse (voir ENTRETIEN).
- Si le compartiment de la veilleuse est défectueux, remplacez-le.
- Si les fils de l'interrupteur de bascule sont débranchés, rebranchez-les (vérifiez l'interrupteur et les fils raccordés à l'interrupteur).

Si le brûleur principal ne s'allume pas.

VÉRIFIEZ

- Si l'orifice du brûleur principal est obstrué : nettoyez le brûleur (voir ENTRETIEN).

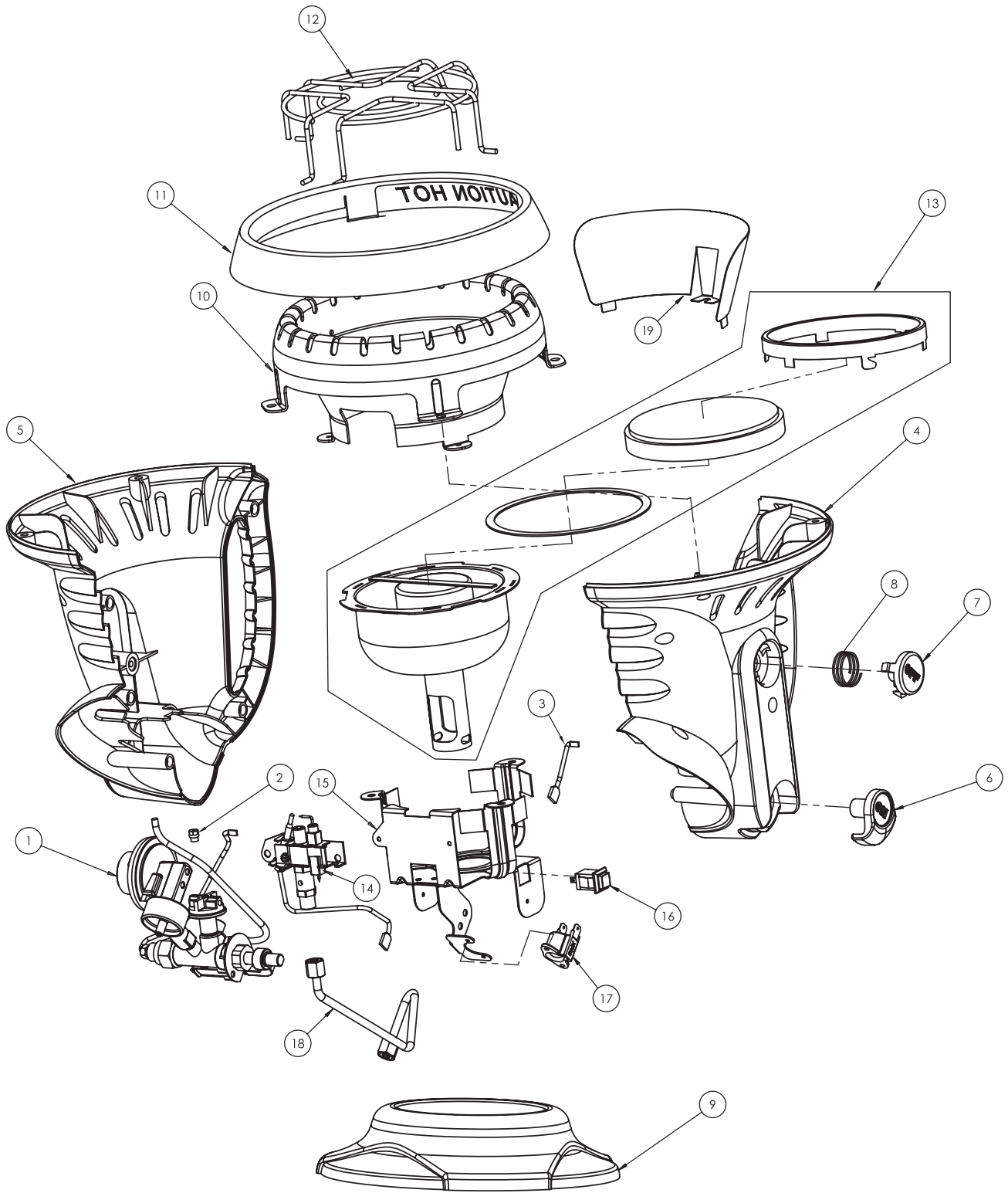
Si l'appareil ne cesse de s'éteindre pendant un fonctionnement normal.

VÉRIFIEZ

- Si la veilleuse est obstruée : nettoyez-la (voir ENTRETIEN).
- Il faut un espace de ventilation de 25 cm² au moins (par exemple, une ouverture de 5 x 5 cm).
- Si l'interrupteur antibasculé a été activé en heurtant l'appareil : Allumez-le de nouveau.

– PARTIE LAISSÉE BLANCHE INTENTIONNELLEMENT –

Mr. Heater MH4B



LISTE DES PIÈCES

CONSULTEZ LA DERNIÈRE PAGE POUR DES INFORMATIONS
SUR LES COMMANDES DE PIÈCES

N° DE L'ARTICLE	N° DE LA PIÈCE	DESCRIPTION	
1	15161	Compartment de la valve de régulation	1
2	15151	Orifice	1
3	15163	Fil du bouton d'arrêt	1
4	15126	Compartment de gauche	1
5	15128	Compartment de droite pour l'entretien	1
6	15122	Bouton de mise en marche	1
7	15123	Bouton d'arrêt	1
8	15165	Ressort du bouton d'arrêt	1
9	15124	Base de la bonbonne	1
10	15157	Panneau du réflecteur	1
11	15158	Anneau du réflecteur	1
12	15162	Grille protectrice	1
13	15135	Compartment du brûleur	1
14	15155	Compartment de la veilleuse/du détecteur d'appauvrissement en oxygène	1
15	15153	Support du brûleur	1
16	15145	Interrupteur	1
17	73403	Interrupteur antibascule	1
18	15148	Filtre combustible de la veilleuse	1
19	15154	Bouclier	1

NOTES :



RAYONNANTE PORTABLE BUDDY CHAUFFE

Modèle

MH4B

LISEZ SOIGNEUSEMENT LES INSTRUCTIONS : Lisez et observez toutes les instructions. Conservez les instructions pour vous y référer ultérieurement. Interdisez à quiconque n'ayant pas lu les présentes instructions d'assembler, d'allumer, de régler ou de faire fonctionner cet appareil de chauffage.

AVERTISSEMENT :



- LES PIÈCES DE RECHANGE UTILISER EXCLUSIVEMENT. UTILISATION DE TOUT AUTRES PARTIES POURRAIT CAUSER DES BLESSURES OU LA MORT. PIÈCES DE RECHANGE DISPONIBLES UNIQUEMENT DIRECTEMENT DE L'USINE ET DOIT ÊTRE INSTALLÉ PAR UNE AGENCE DE SERVICE QUALIFIÉ.

AVERTISSEMENT :



- CE PRODUIT EST UN CHAUFFE. IT est certifié CSA INTERNATIONAL EXIGENCE SECTION 4.98, "AU GAZ CHAUFFE PORTABLE POUR USAGE RÉCRÉATIF OU COMMERCIAL." CE PRODUIT EST JAMAIS UTILISER POUR LA CUISSON OU RÉCHAUFFEMENT DES ALIMENTS EN TANT QUE CELA PEUT PORTER ATTEINTE DES SYSTEMES DE SECURITE DE L'APPAREIL, QUI PEUT PROVOQUER UN INCENDIE, EXPLOSION, LA PRODUCTION DE MORTEL DE MONOXYDE DE CARBONE, ET BLESSURES OU LA MORT POUR VOUS OU AUTRES. NE JAMAIS UTILISER FAIT MAIN OU TIERS ACCESSOIRES OU ACCESSOIRES AVEC CET APPAREIL; CECI EST EXTRÊMEMENT DANGEREUX ET PEUT PROVOQUER DES BLESSURES OU LA MORT POUR VOUS OU AUTRES.

INFORMATIONS SUR LA COMMANDE DE PIÈCES :

ACHAT : On peut se procurer les accessoires par l'entremise de tous les détaillants locaux Mr. Heater ou directement du fabricant.

POUR OBTENIR DES INFORMATIONS SUR LE SERVICE

Appelez sans frais au 1 800 251-0001
www.mrheater.com

Nos heures d'ouverture sont de 8 h 00 à 17 h HNE, du lundi au vendredi.

Veuillez indiquer le numéro du modèle, la date d'achat et la description du problème dans toutes vos communications avec nous.

GARANTIE LIMITÉE

Enerco Group Inc. garantit ses appareils de chauffage et ses accessoires contre les défauts de matériel et de main-d'œuvre pour une période de un an à partir de la date d'achat. Enerco Group Inc. réparera ou remplacera ce produit sans frais s'il est démontré qu'il est devenu défectueux pendant la période de un an et qu'il est retourné à Enerco Group Inc. aux frais de l'acheteur avec une preuve d'achat, au cours de la période de garantie. La présente garantie donne des droits spécifiques, et vous pouvez avoir d'autres droits qui varient d'un État à État.

Mr. Heater, Inc. se réserve le droit d'effectuer des modifications en tout temps, sans préavis ni obligation, aux couleurs, aux spécifications, aux accessoires, aux matériaux et aux modèles.

Enerco Group Inc. se réserve le droit d'effectuer des modifications en tout temps, sans préavis ni obligation, aux couleurs, aux spécifications, aux accessoires, aux matériaux et aux modèles.

MR. HEATER, INC., 4560 W. 160TH ST., CLEVELAND, OHIO 44135 • 800-251-0001
Mr. Heater and Portable Buddy are registered trademarks of Enerco Group, Inc.
© 2017, Enerco/Mr. Heater. All rights reserved

