

OPERATING INSTRUCTIONS AND OWNERS MANUAL

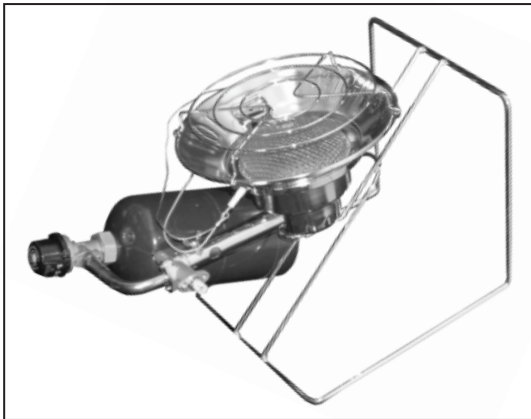


GAS-FIRED INFRA-RED COOKER/PORTABLE HEATER

Model #

MH15C

READ INSTRUCTIONS CAREFULLY: Read and follow all instructions. Place instructions in a safe place for future reference. Do not allow anyone who has not read these instructions to assemble, light, adjust, or operate the heater.



CYLINDER NOT INCLUDED

LANGUAGES INCLUDED:

- ENGLISH
- SPANISH

WARNING: If the information in this manual is not followed exactly, a fire or explosion may result causing property damage, personal injury or loss of life.

- Do not store or use gasoline or other flammable vapors and liquids in the vicinity of this or any other appliance.
- An LP cylinder not connected for use shall not be stored in the vicinity of this or any other appliance.
- WHAT TO DO IF YOU SMELL GAS
 - Do not try to light appliance.
 - Extinguish any open flame.
 - Shut off gas to appliance.
- Service must be performed by a qualified service agency.
- DO NOT LEAVE HEATER UNATTENDED OR IN OPERATION WHILE SLEEPING

This is an unvented gas-fired portable heater. It uses air (oxygen) from the area in which it is used. Adequate combustion and ventilation air must be provided. Refer to page 3.

WARNING:

⚠ YOUR SAFETY IS IMPORTANT TO YOU AND TO OTHERS, SO PLEASE READ THESE INSTRUCTIONS BEFORE YOU OPERATE THIS HEATER.

GENERAL HAZARD WARNING:

⚠ FAILURE TO COMPLY WITH THE PRECAUTIONS AND INSTRUCTIONS PROVIDED WITH THIS HEATER CAN RESULT IN DEATH, SERIOUS BODILY INJURY AND PROPERTY LOSS OR DAMAGE FROM HAZARDS OF FIRE, EXPLOSION, BURN, ASPHYXIATION, CARBON MONOXIDE POISONING, AND/OR ELECTRICAL SHOCK.

⚠ ONLY PERSONS WHO CAN UNDERSTAND AND FOLLOW THE INSTRUCTIONS SHOULD USE OR SERVICE THIS HEATER.

⚠ IF YOU NEED ASSISTANCE OR HEATER INFORMATION SUCH AS AN INSTRUCTIONS MANUAL, LABELS, ETC. CONTACT THE MANUFACTURER.

WARNING:

⚠ **CARBON MONOXIDE CAN KILL YOU**

USING A PORTABLE GAS CAMPING HEATER INSIDE A TENT, RV, CAMPER, VEHICLE, SHELTER OR OTHER ENCLOSED AREAS CAN PRODUCE DEADLY CARBON MONOXIDE

WARNING:

⚠ NOT FOR HOME OR RECREATIONAL VEHICLE USE

WARNING:

⚠ FIRE, BURN, INHALATION, AND EXPLOSION HAZARD. KEEP SOLID COMBUSTIBLES, SUCH AS BUILDING MATERIALS, PAPER, OR CARDBOARD A SAFE DISTANCE AWAY FROM THE HEATER AS RECOMMENDED BY THE INSTRUCTIONS NEVER USE THE HEATER IN SPACES WHICH DO OR MAY CONTAIN VOLATILE OR AIRBORNE COMBUSTIBLES, PRODUCTS SUCH AS GASOLINE, SOLVENTS, PAINT THINNER, DUST PARTICLES, OR UNKNOWN CHEMICALS.

WARNING:

The State of California requires the following warning:

COMBUSTION BY-PRODUCTS PRODUCED WHEN USING THIS PRODUCT CONTAIN CARBON MONOXIDE, A CHEMICAL KNOWN TO THE STATE OF CALIFORNIA TO CAUSE CANCER AND BIRTH DEFECTS (OR OTHER REPRODUCTIVE HARM).

THIS PRODUCT CONTAINS CHEMICALS KNOWN TO THE STATE OF CALIFORNIA TO CAUSE CANCER AND BIRTH DEFECTS OR OTHER REPRODUCTIVE HARM.

CONTENTS

WARNINGS..... 2

HOOKUP INFORMATION 3

ODOR FADE WARNING 4

GENERAL INFORMATION..... 4

FOR SAFE OPERATION..... 5

VENTILATION 5

MINIMUM CLEARANCE FROM COMBUSTIBLE MATERIALS 5

ASSEMBLY PROCEDURE 5

COOKING POSITIONS 6

LIGHTING INSTRUCTIONS 6

SHUTDOWN AND STORAGE INSTRUCTIONS 6

REPLACEMENT PARTS LIST 7

WARRANTY 8

INSTRUCTIONS FOR ORDERING PARTS 8

HOOK-UP INFORMATION

- 1.1 Heater model MH15C is packaged completely assembled except for metal stand. Propane cylinders are not included with model MH15C.
- 1.2 Remove heater from carton.
- 1.3 Hold heater in one hand and with the other hand hold propane cylinder vertically and carefully turn clockwise into heater valve-regulator until snug. (Careful not to cross-thread) – Fig. 1
- 1.4 Use only LP-gas cylinders constructed for use with propane only (HD-5) and marked in accordance with the specifications for LP-gas cylinders of the U. S. Department of Transportation (DOT Spec. 39).
- 1.5 Use propane fuel cylinders of not more than 75 cubic inches (2-1/2 pounds nominal water capacity) and connect to cylinder valve outlet connection No. 600 as specified in the Compressed Gas Associations Limited Standard Cylinder Valve Outlet Connection for propane-small valve series.

- 2.1 Grasp heater model by cylinder and hold wire stand with other hand. Slide mounting clip on back of heater onto chrome plated wire stand. Fig. 1.
- 2.2 Make sure wire stand is on a flat surface in the outdoors. See paragraph 5 for additional assembly procedure.

2.3 **⚠ WARNING**
Never touch heater while in operation to avoid injury.
Move heater by grasping the propane cylinder carefully.

- 2.4 Read complete manual before lighting heater.

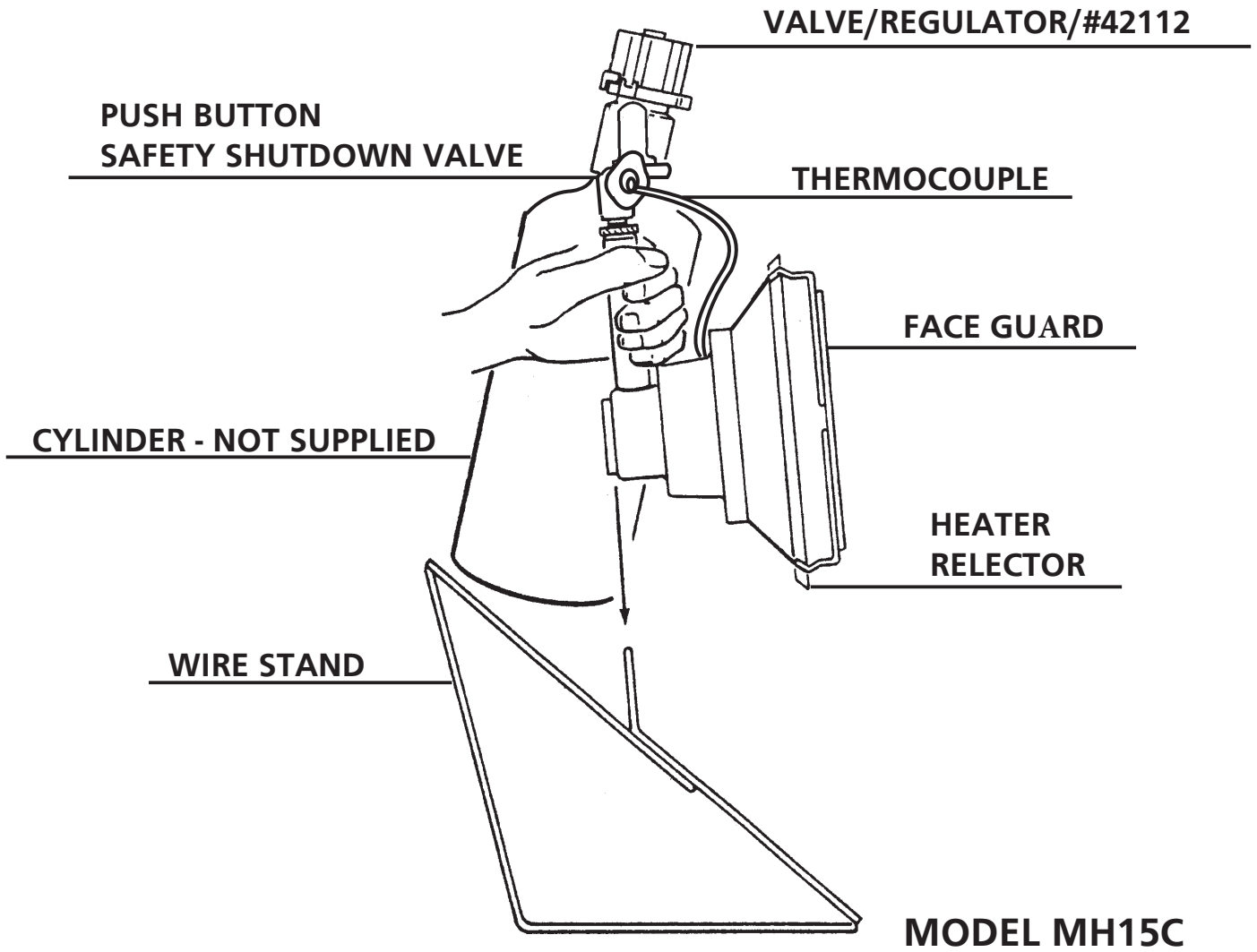


Figure 1

ODOR FADE WARNING

WARNING

Asphyxiation Hazard

- Do not use this heater for heating human living quarters.
- Do not use in unventilated areas.
- The flow of combustion and ventilation air must not be obstructed.
- Proper ventilation air must be provided to support the combustion air requirements of the heater being used.
- Refer to the specification section of the heater's manual, heater dataplate, or contact the factory to determine combustion air ventilation requirements of the heater.
- Lack of proper ventilation air will lead to improper combustion.
- Improper combustion can lead to carbon monoxide poisoning leading to serious injury or death. Symptom of carbon monoxide poisoning can include headaches, dizziness, and difficulty in breathing.

FUEL GAS ODOR

LP gas and natural gas have man-made odorants added specifically for detection of fuel gas leaks.

If a gas leak occurs you should be able to smell the fuel gas. Since Propane (LP) is heavier than air you should smell for the gas odor low to the floor. ANY GAS ODOR IS YOUR SIGNAL TO GO INTO IMMEDIATE ACTION!

- Do not take any action that could ignite the fuel gas. Do not operate any electrical switches. Do not pull any power supply or extension cords. Do not light matches or any other source of flame. Do not use your telephone.
- Get everyone out of the building and away from the area immediately.
- Close all propane (LP) gas tank or cylinder fuel supply valves, or the main fuel supply valve located at the meter if you use natural gas.
- Propane (LP) gas is heavier than air and may settle in low areas. When you have reason to suspect a propane leak, keep out of all low areas.
- Use your neighbor's phone and call your fuel gas supplier and your fire department. Do not re-enter the building or area.
- Stay out of the building and away from the area until declared safe by the firefighters and your fuel gas supplier.
- FINALLY, let the fuel gas service person and the firefighters check for escaped gas. Have them air out the building and area before you return. Properly trained service people must repair any leaks, check for further leakages, and then relight the appliance for you.

ODOR FADING - NO ODOR DETECTED

- Some people cannot smell well. Some people cannot smell the odor of the man-made chemical added to propane (LP)

or natural gas. You must determine if you can smell the odorant in these fuel gases.

- Learn to recognize the odor of propane (LP) gas and natural gas. Local propane (LP) gas dealers will be more than happy to give you a scratch and sniff pamphlet. Use it to become familiar with the fuel gas odor.
- Smoking can decrease your ability to smell. Being around an odor for a period of time can affect your sensitivity to that particular odor. Odors present in animal confinement buildings can mask fuel gas odor.
- **The odorant in propane (LP) gas and natural gas is colorless and the intensity of its odor can fade under some circumstances.**
- If there is an underground leak, the movement of gas through the soil can filter the odorant.
- Propane (LP) gas odor may differ in intensity at different levels. Since Propane (LP) gas is heavier than air, there may be more odor at lower levels.
- **Always be sensitive to the slightest gas odor.** If you continue to detect any gas odor, no matter how small, treat it as a serious leak. Immediately go into action as discussed previously.

ATTENTION - CRITICAL POINTS TO REMEMBER!

- Propane (LP) gas has a distinctive odor. Learn to recognize these odors. (Reference Fuel Gas Odor and Odor Fading sections above.)
- Even If you are not property trained in the service and repair of the heater, ALWAYS be consciously aware of the odors of propane (LP) gas and natural gas.
- If you have not been properly trained in repair and service of propane (LP) gas then do not attempt to light heater, perform service or repairs, or make any adjustments to the heater on the propane (LP) gas fuel system.
- A periodic sniff test around the heater or at the heater's joints; i.e. hose, connections, etc., is a good safety practice under any conditions. If you smell even a small amount of gas, CONTACT YOUR FUEL GAS SUPPLIER IMMEDIATELY. DO NOT WAIT!

1. GENERAL INFORMATION

- A. The Mr. Heater MH15C is a high pressure propane appliance and is designed to be connected to a 14.1 or 16.4 ounce disposable propane cylinder. Every unit is tested during manufacturing and shipped fully assembled except for the wire stand.
- B. These heaters are equipped with an automatic Safety Shutoff Valve. The gas flow will automatically stop if the heater fails to operate for any reason.
- C. Maximum safety and convenience have been built into the Hi-Med-Lo-Off Control Valve/Regulator. The following table lists the approximate BTU's consumed and the operating hours you can reasonably expect from bulk propane cylinders.

Valve Position	BTU Input	Cylinder 14.1 oz.	Cylinder 16.4 oz.
Hi	15,000	1.3 hours	1.5 hours
Med	12,000	1.6 hours	1.8 hours
Lo	10,000	1.9 hours	2.2 hours

Figure 3

2. FOR SAFE OPERATION

- A. READ INSTRUCTIONS CAREFULLY:** Read and adhere to these instructions. Do not allow anyone who **has not read** the instructions to assemble, light, adjust, or operate the heater.

⚠ WARNING
KEEP THE HEATER OUT OF THE REACH OF CHILDREN

- B. PROPANE IS VERY FLAMMABLE:** In the event of a leak, propane will accumulate and the possibility of a fire is present. Propane gas is scented and its strong odor is readily detectable. Never strike a match, bring any flame, or create an electric spark in an enclosure when you smell propane gas. Ventilate the area thoroughly, move the heater outside, find and correct the source of the leak before attempting to light any appliance. If you are unsure of these instructions evacuate immediately and call for help.
- C. GAS LEAKAGE:** If the leak cannot be corrected, do not tamper with the heater, follow the shut down **instructions** and return the heater to the dealer or address given on last page.

⚠ WARNING
DO NOT STORE PROPANE CYLINDERS NEAR AN OPEN FLAME OR HEAT

- D. LEAK DETECTION:** Before each use of the heater check all fittings and connections with a soap solution to be sure there are no leaks. **NEVER, NEVER USE ANY FLAME FOR LEAK TEST.**
- E. CONNECTING HEATER TO PROPANE CYLINDER:** Always connect the heater to the cylinder outdoors or in a well ventilated area. **NEVER** connect this heater to a cylinder near an open flame.
- F. USE OF HEATER:** Always operate the heater with the propane cylinder in an upright position on a level, noncombustible surface. **NEVER** place the cylinder on its side when operating the heater. In cooking position cylinder must be 30 degrees from horizontal.
- G. ATTEND HEATER:** Do not leave heater unattended while it is in operation.
- H. ALWAYS LIGHT HEATER WITH MATCH** or "Sparklite" Igniter.
- I. DO NOT TAMPER:** Should the heater not perform properly, such as little or no heat when operating in the "Hi" position, or for any other reason, **DO NOT ATTEMPT TO REPAIR OR TAMPER** with the heater. Any tampering could make the use of the heater unsafe and dangerous. Return the heater to the dealer or the address given on last page for repair or replacement.
- J. FOR STORAGE:** The heater Hi-Med-Lo-Off regulating valve should always be turned to "Off" when the heater is not in use. Allow at least 15 minutes for cooling before handling and storing. Detach propane cylinder from heater before storing. **DO NOT** store propane cylinders near open flame or heat.

- K. DO NOT TRANSPORT OR MOVE APPLIANCE WHILE IN OPERATION OR WHILE HEATER IS ATTACHED. FOLLOW SHUTDOWN AND STORAGE INSTRUCTIONS TO TRANSPORT OR MOVE THIS APPLIANCE.**

3. VENTILATION

- A. WARNING:** This heater is an unvented appliance and **MUST be used ONLY in a well ventilated area. NEVER** attempt to operate the heater inside any vehicle, camper or enclosure.
- B. FOR OUTDOOR USE ONLY.** Any combustion process requires and consumes oxygen, and will produce carbon monoxide.
- C. WARNING:** provide ample ventilation. This heater consumes air (oxygen). Do not use this heater in unventilated structures to avoid endangering your life. Provide additional ventilation for any additional fuel-burning appliances and additional occupants.

4. MINIMUM CLEARANCE FROM COMBUSTIBLE MATERIALS

- A.** When operating, the heater surfaces are extremely hot. Keep sleeping bags, clothing, and all combustible materials clear of the heater by at least the distances shown in figure 4.
- B. WARNING:** To avoid injury or property damage never allow clothing, tents or other combustible materials within 30" of the heater. This heater must be located at least 24" above the floor level when in use. Never operate the heater when sleeping.
- C. WARNING:** Never direct the heat output of this heater toward any propane tank within 20 feet.

5. ASSEMBLY PROCEDURE

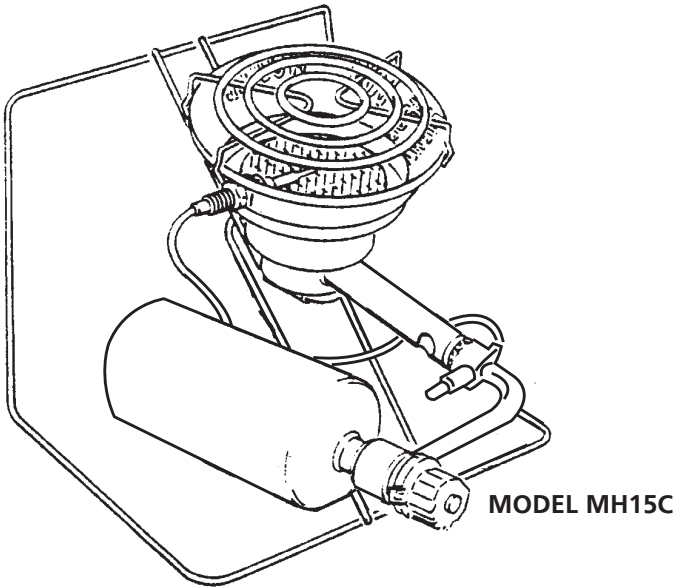
- A.** Make sure the regulator knob on the heater is "off" by turning

BTU/HR. RATING		NORMAL OPERATING PROCEDURE	CLEARANCES TO COMBUSTIBLES				
MODEL NO.	GAS PROPANE		FROM C.L. OF HTR. TO FLOOR	SIDES	REAR	CEILING	FRONT
MH15C	15,000	Vertical & Horizontal	24"	30"	30"	36"	36"

Figure 4

- knob clockwise to the "OFF" position.
- B.** Carefully screw disposable cylinder hand tight into the inlet tapping of regulator. Make sure gas cylinder is in upright position.
- C.** Make sure the heater is firmly placed in the metal stand. (See Figure 1).

COOKING POSITIONS



6. LIGHTING INSTRUCTIONS

- A. Before attempting to light the heater, check all fittings and connections with a soap solution **NEVER USE A MATCH TO CHECK FOR LEAKS**. Should a gas leak occur, do not attempt to repair or use heater. Return the heater to your dealer or the address given on last page.
- B. Fuel – this heater must be used with propane fuel cylinders as stated in paragraph 1.4 and 1.5 on page 2.

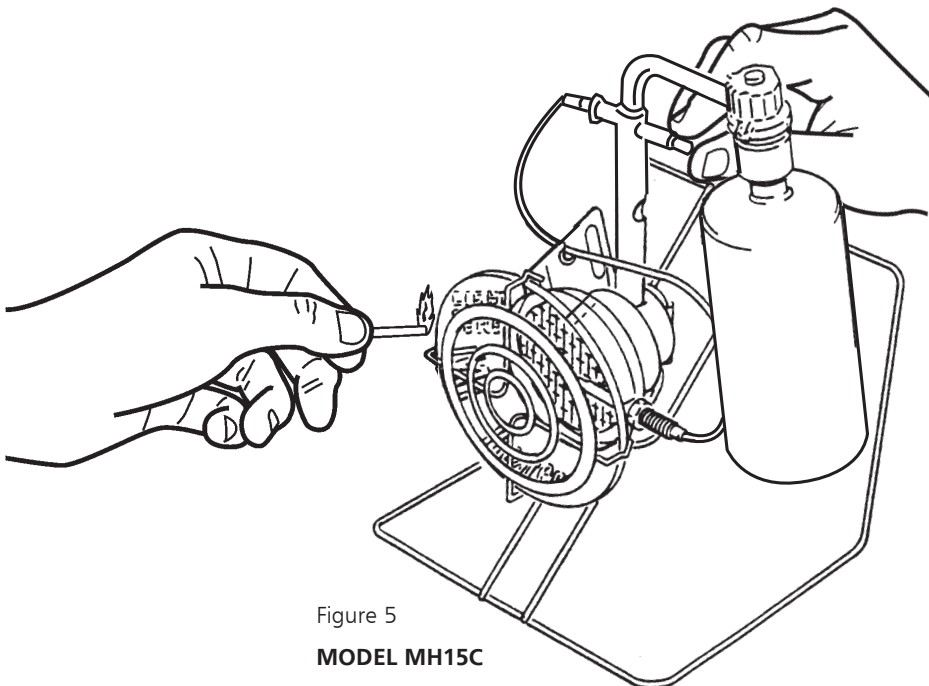
WARNING

USE HD.5 PROPANE GAS ONLY. DO NOT USE ANY OTHER TYPE FUEL. SEE YOUR PROPANE DEALER IF YOU HAVE ANY QUESTIONS REGARDING FUEL.

- C. Turn the heater's "Hi-Med-Lo-Off" regulator knob to "Med" (counterclockwise.)
- D. To light MH15C, place a lit match across the mesh screen where you see "light here" on reflector. (See Fig. 5) THEN push in valve button on Safety Shutoff Valve. After the heater is lit, continue to hold valve button in for 30 seconds, then release the button slowly. **CAUTION: DO NOT PUSH IN VALVE BUTTON BEFORE INSERTING LIT MATCH.**
- E. If burner does not light within 30 seconds, turn the heater's regulator knob to "off" (clockwise) and allow at least five minutes for gas to dissipate before attempting to relight.
- F. NOTE: Should the orifice become clogged as indicated by low volume of gas when operating on "Hi" with a full cylinder, or should the heater fail to operate properly for any reason, return the heater to the dealer or the address given on last page for repair or replacement. **DO NOT ATTEMPT TO REPAIR OR TAMPER WITH HEATER.**
- G. Adjust heat output by turning knob to desired position.

7. SHUTDOWN AND STORAGE INSTRUCTIONS

- A. The valve should ALWAYS be completely turned "OFF" when the heater is not in use.
- B. When shutting off the heater, turn the regulator knob on the heater to "OFF" (clockwise). (See Figure 5).
- C. **CAUTION:** After turning unit off, heater will remain extremely hot. Allow at least 15 minutes for cooling before handling and storing. Detach heater from cylinder before handling and storage.
- D. **HEATER STORAGE:** Always remove the propane cylinder from the heater when not in use. Always store propane cylinders in a cool, well ventilated place away from any flame or heat and in a location not used for habitation. **DO NOT STORE PROPANE CYLINDER WITHIN 60 FT. OF OPEN FLAME OR HEAT.**
- E. See Figure 6 for spare parts list.





OPERATING INSTRUCTIONS AND OWNER'S MANUAL

Model #

MH15C



WARNING:

USE ONLY MANUFACTURER'S REPLACEMENT PARTS. USE OF ANY OTHER PARTS COULD CAUSE INJURY OR DEATH. REPLACEMENT PARTS ARE ONLY AVAILABLE DIRECT FROM THE FACTORY AND MUST BE INSTALLED BY A QUALIFIED SERVICE AGENCY.

PARTS ORDERING INFORMATION:

PURCHASING: Accessories may be purchased at any Mr. Heater local dealer or direct from the factory.

FOR INFORMATION REGARDING SERVICE

Please call Toll-Free 800-251-0001
www.mrheater.com

Our office hours are 8:00 AM – 5:00 PM, EST, Monday through Friday.

Please include the model number, date of purchase, and description of problem in all communication.

LIMITED WARRANTY

Mr Heater, Inc. warrants its heaters and accessories to be free from defects in material and workmanship for a period of 1 year from date of purchase. Mr Heater, Inc. will repair or replace this product free of charge if it has been proven to be defective within the 1-year period, and is returned at customer expense with proof of purchase to Mr Heater, Inc. within the warranty period.

Mr. Heater Inc. reserves the right to make changes at any time, without notice or obligation, in colors, specifications, accessories, materials, and models.

PRODUCT REGISTRATION: Thank you for your purchase.
Please log in to <http://www.egiregistration.com> to register your product.

MR. HEATER, INC., 4560 W. 160TH ST., CLEVELAND, OHIO 44135 • 216-916-3000
Mr. Heater and Portable Buddy are registered trademarks of Enerco Group, Inc.
© 2015, Enerco/Mr. Heater. All rights reserved

INSTRUCCIONES DE USO Y MANUAL DEL PROPIETARIO

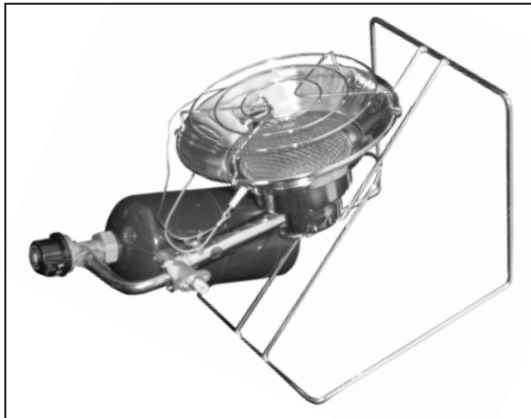


GAS-FIRED INFRA-RED COOKER/PORTABLE HEATER

Model #

MH15C

LEA CUIDADOSAMENTE LAS INSTRUCCIONES: Lea y siga todas las instrucciones. Conserve estas instrucciones en un lugar seguro para futura referencia. No permita que nadie que no haya leído estas instrucciones arme, encienda, ajuste o use el calentador.



NO INCLUYE CILINDRO

IDIOMAS INCLUIDO:

- INGLÉS
- ESPAÑOL

ADVERTENCIA: Si no se siguen al pie de la letra las instrucciones de este manual, podría producirse un incendio o una explosión que provocaría daños materiales, lesiones o muertes.

- No almacene ni utilice gasolina ni ningún otro vapor ni líquido inflamable cerca de este ni de ningún otro artefacto.
- Los cilindros LP que no están conectados al calentador no deben almacenarse cerca de este ni de ningún otro artefacto.
- QUÉ HACER SI DETECTA OLOR A GAS
 - No intente encender el artefacto.
 - Apague todas las llamas expuestas.
 - Cierre el suministro de gas al artefacto.
- El mantenimiento debe realizarlo una agencia de servicios calificada.
- NO DEJE EL CALENTADOR DESATENDIDO Y NO LO DEJE FUNCIONANDO MIENTRAS DUERME.

Este calentador portátil a gas no tiene una fuente propia de ventilación. Utiliza el aire (oxígeno) del área en la cual se emplea. Debe suministrarse el aire necesario para la ventilación y la combustión. Ver página 3.

ADVERTENCIA:

⚠ SU SEGURIDAD ES IMPORTANTE PARA USTED Y PARA LOS DEMÁS, ASÍ QUE POR FAVOR LEA ESTAS INSTRUCCIONES ANTES DE UTILIZAR EL CALENTADOR.

ADVERTENCIA GENERAL DE PELIGRO:

⚠ EL NO CUMPLIR CON LAS PRECAUCIONES E INSTRUCCIONES QUE VIENEN CON ESTE CALENTADOR PUEDE CAUSAR LA MUERTE, LESIONES GRAVES Y PÉRDIDAS Y DAÑOS MATERIALES DERIVADOS DEL PELIGRO DE INCENDIO, EXPLOSIÓN, QUEMADURAS, ASFIXIA, ENVENENAMIENTO CON MONÓXIDO DE CARBONO, Y/O DESCARGAS ELÉCTRICAS.

⚠ SOLO LAS PERSONAS QUE ENTIENDAN Y PUEDAN SEGUIR LAS INSTRUCCIONES DEBEN USAR O MANTENER ESTE CALENTADOR.

⚠ SI NECESITA AYUDA O INFORMACIÓN ACERCA DEL CALENTADOR, COMO UN MANUAL DE INSTRUCCIONES, ETIQUETAS, ETC., PÓNGASE EN CONTACTO CON EL FABRICANTE.

ADVERTENCIA:

⚠ **EL MONÓXIDO DE CARBONO PUEDE CAUSARLE LA MUERTE**

UTILIZAR UN CALENTADOR PORTÁTIL A GAS PARA ACAMPAR DENTRO DE UNA CARPA, CASA RODANTE, CAMPER, VEHÍCULO, REFUGIO O CUALQUIER OTRO LOCAL CERRADO PUEDE PRODUCIR MONÓXIDO DE CARBONO LETAL.

ADVERTENCIA:

⚠ NO APTO PARA USAR EN EL HOGAR NI EN CASAS RODANTES.

ADVERTENCIA:

⚠ PELIGRO DE INCENDIO, QUEMADURAS, INHALACIÓN Y EXPLOSIÓN. MANTENGA LOS COMBUSTIBLES SÓLIDOS, TALES COMO MATERIALES DE CONSTRUCCIÓN, PAPEL O CARTÓN, A UNA DISTANCIA SEGURA DEL CALENTADOR. COMO SE RECOMIENDA EN LAS INSTRUCCIONES, NUNCA USE EL CALENTADOR EN ESPACIOS QUE CONTENGAN O PODRÍAN CONTENER COMBUSTIBLES VOLÁTILES O GASEOSOS, NI PRODUCTOS COMO GASOLINA, SOLVENTES, DILUYENTES DE PINTURA, PARTÍCULAS DE POLVO O PRODUCTOS QUÍMICOS DESCONOCIDOS.

ADVERTENCIA:

El estado de California exige la siguiente advertencia:

UNA DE LAS SUSTANCIAS QUE SE DESPRENDE EN LA COMBUSTIÓN AL USAR ESTE EQUIPO ES EL MONÓXIDO DE CARBONO, UN COMPUESTO QUÍMICO QUE DE ACUERDO CON EL ESTADO DE CALIFORNIA PRODUCE CÁNCER Y DEFECTOS DE NACIMIENTO (U OTROS DAÑOS REPRODUCTIVOS).

ESTE PRODUCTO CONTIENE SUSTANCIAS QUÍMICAS QUE DE ACUERDO CON EL ESTADO DE CALIFORNIA PRODUCEN CÁNCER Y DEFECTOS DE NACIMIENTO U OTROS DAÑOS REPRODUCTIVOS.

CONTENIDO

ADVERTENCIAS	2
INFORMACIÓN DE CONEXIÓN.....	3
ADVERTENCIA DE DISIPACIÓN DEL OLOR	4
INFORMACIÓN GENERAL	4
PARA UN FUNCIONAMIENTO SEGURO.....	5
VENTILACIÓN	5
DISTANCIA MÍNIMA DE MATERIALES COMBUSTIBLES	5
PROCEDIMIENTO DE ENSAMBLAJE	5
POSICIONES PARA COCINAR	6
INSTRUCCIONES DE ENCENDIDO	6
INSTRUCCIONES DE APAGADO Y ALMACENAMIENTO.....	6
LISTA DE PARTES DE REPUESTO	7
GARANTÍA.....	8
INSTRUCCIONES PARA ORDENAR PARTES.....	8

INFORMACIÓN DE CONEXIÓN

- 1.1 El modelo de calentador MH15C se empaqa completamente ensamblado, exceptuando la base de metal. Los cilindros de propano no vienen incluidos con el modelo MH15C.
- 1.2 Saque el calentador de la caja.
- 1.3 Sostenga el calentador con una mano y con la otra mano sostenga el cilindro de propano verticalmente y conéctelo con el regulador de válvula del calentador haciéndolo girar a favor de las manecillas del reloj hasta que ajuste. (Cuide que el acople sea correcto antes de enroscar) – Fig. 1.
- 1.4 Use únicamente cilindros de gas LP construidos para uso exclusivo con propano (HD-5) y marcados de acuerdo con las especificaciones para cilindros de gas LP del Departamento de Transporte Estadounidense (DOT SPEC. 39).
- 1.5 Utilice cilindros de combustible de propano de no más de 1,2 litros (2-1/2 libras de capacidad nominal de agua) y conéctelos a la toma de la válvula del cilindro No. 600, como se especifica en las Conexiones de Salida de Válvula de Cilindro Estándar Limitadas de las Asociaciones de Gas Comprimido para series de válvulas pequeñas de propano.

- 2.1 Agarre el modelo de calentador por el cilindro y con la otra mano sostenga la base de alambre. Ajuste el pie de montaje de la parte trasera del calentador sobre la base de alambre cromada. Fig. 1.
- 2.2 Asegúrese de que la base de alambre esté sobre una superficie plana al aire libre. Vea el párrafo 5 para conocer más detalles sobre el procedimiento de ensamblaje.
- 2.3 **⚠ ADVERTENCIA**
Nunca toque el calentador cuando esté funcionando para evitar heridas. Mueva el calentador sosteniendo cuidadosamente el cilindro de propano.
- 2.4 Lea todo el manual antes de encender el calentador.

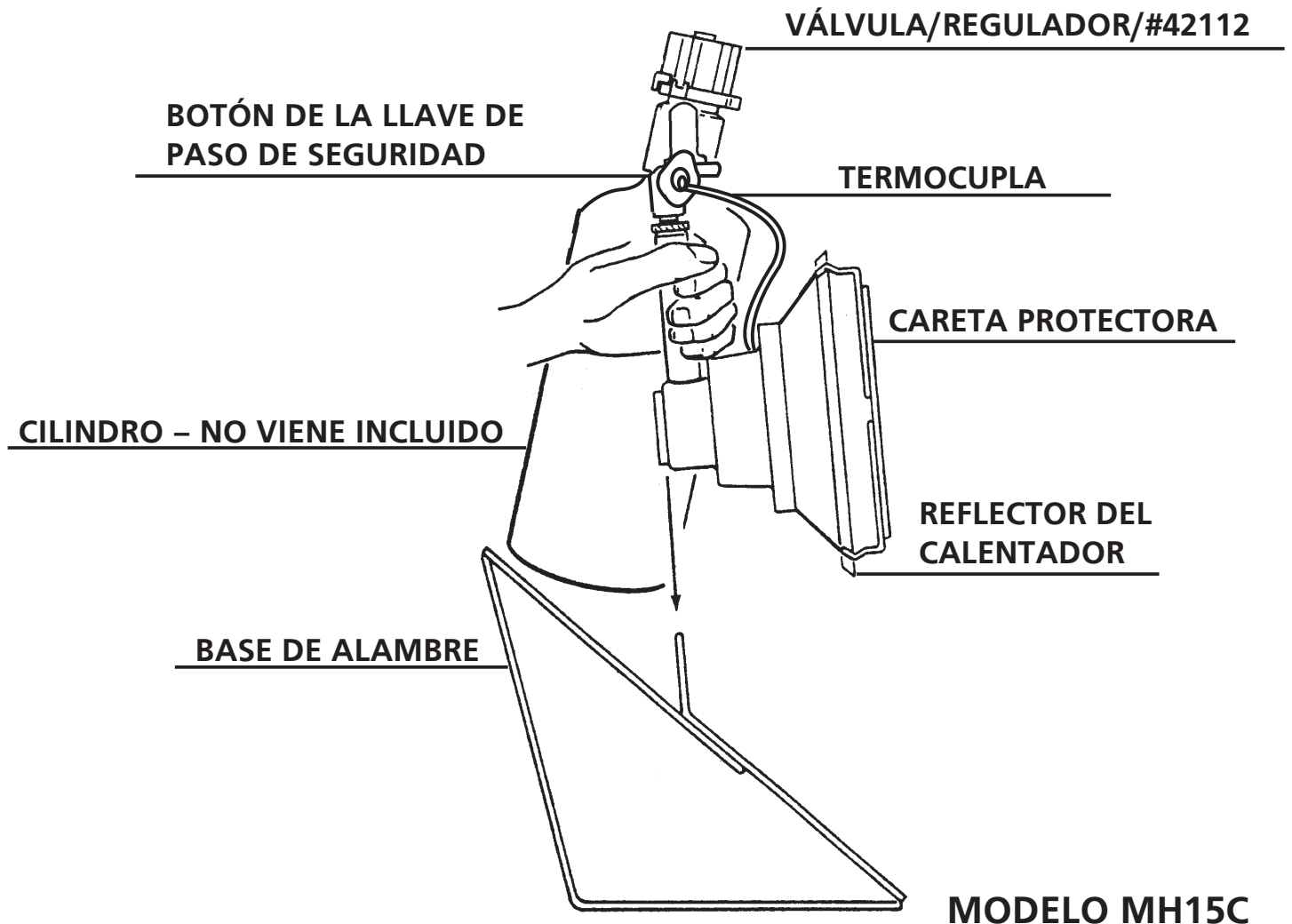


Figura 1

ADVERTENCIA DE DISIPACIÓN DEL OLOR

ADVERTENCIA

Peligro de asfixia

- No utilice este calentador para calentar locales habitados por personas.
- No lo utilice en áreas sin ventilación.
- No obstruya el flujo de aire necesario para la combustión y la ventilación.
- Deberá suministrar la ventilación adecuada para garantizar que el calentador disponga del aire que necesita para la combustión.
- Consulte la sección de especificaciones del manual del calentador, la placa del calentador, o póngase en contacto con el fabricante para conocer los requerimientos de ventilación del calentador.
- Si la ventilación no es la adecuada, la combustión no se llevará a cabo correctamente.
- Una combustión inadecuada puede producir envenenamiento con monóxido de carbono con graves daños para la salud, o causar la muerte. Los síntomas de envenenamiento con monóxido de carbono incluyen dolores de cabeza, mareos y dificultad al respirar.

OLOR A GAS COMBUSTIBLE

Los gases LP y el gas natural contienen sustancias aromáticas artificiales añadidas específicamente para facilitar la detección de fugas de gas. Si se produjera una fuga de gas, usted debe poder oler el gas combustible. Dado que el propano (LP) es más pesado que el aire, debe tratar de detectar el olor lo más cerca del piso posible. ¡CUALQUIER OLOR A GAS SERÁ LA SEÑAL PARA TOMAR MEDIDAS INMEDIATAMENTE!

- No haga nada que pudiera inflamar el gas combustible. No active ningún interruptor eléctrico. No desconecte ninguna toma de corriente ni cables de extensión. No encienda fósforos ni ninguna otra fuente de llamas. No utilice su teléfono.
- Saque a todas las personas del edificio y aléjelos del área inmediatamente.
- Cierre todas las válvulas de suministro de combustible de los cilindros o del tanque del gas propano (LP), o la válvula principal de suministro de combustible que se encuentra en el metro contador si emplea gas natural.
- El gas propano (LP) es más pesado que el aire y puede asentarse en áreas bajas. Cuando sospeche que puede haber una fuga de propano, manténgase alejado de las áreas bajas.
- Utilice el teléfono de su vecino y llame a su proveedor de gas y a su departamento de bomberos. No vuelva a entrar al edificio ni se acerque al área.
- Manténgase alejado del edificio y del área hasta que los bomberos y su proveedor de gas hayan declarado que no hay peligro.
- POR ÚLTIMO, permita que la persona del servicio de gas y los bomberos revisen si hay fugas de gas. Haga que ventilen el edificio y el área antes de su regreso. Un agente de servicios calificado debe reparar cualquier fuga, revisar si hay otras fugas, y volver a encender el artefacto por usted.

DISIPACIÓN DEL OLOR – NO SE DETECTA NINGÚN OLOR

- Algunas personas tienen problemas de olfato. Algunos no pueden detectar el olor del químico artificial añadido al propano (LP) o al gas natural. Usted debe determinar si es capaz de reconocer la sustancia aromática que contienen estos gases combustibles.
- Aprenda a reconocer el olor del gas propano (LP) y del gas natural. Los distribuidores locales de propano (LP) le darán con gusto un panfleto con muestras de olores. Utilícelo para familiarizarse con el olor del gas combustible.
- El hábito de fumar puede disminuir su sentido del olfato. Exponerse a un olor durante un período de tiempo puede afectar su sensibilidad a ese olor específico. Los olores presentes en instalaciones donde se crían animales pueden enmascarar el olor del gas combustible.
- **La sustancia aromática presente en el gas propano (LP) y en el gas natural es incolora y la intensidad de su olor puede desvanecerse en algunas circunstancias.**
- Si hay una fuga subterránea, el recorrido del gas a través del suelo filtrará esta sustancia aromática.
- El aroma del gas propano (LP) puede variar en intensidad a diferentes niveles. Dado que el gas propano (LP) es más pesado que el aire, el olor puede ser más intenso en los niveles más bajos.
- **Manténgase siempre alerta al más mínimo olor a gas.** Si continúa percibiendo el olor a gas, no importa cuán poco sea, proceda como si fuera una fuga seria. Tome medidas inmediatamente como se explicó anteriormente.

ATENCIÓN – ¡PUNTOS CRÍTICOS A RECORDAR!

- El gas propano (LP) tiene un olor característico. Aprenda a reconocer estos olores. (Vea las secciones Olor a gas combustible y Disipación del olor).
- Aunque usted no esté capacitado para dar mantenimiento y reparar el calentador, SIEMPRE esté al tanto de los olores del gas propano (LP) y del gas natural.
- Si no ha recibido capacitación para reparar y dar mantenimiento a equipos que emplean gas propano (LP), no intente encender el calentador, ni darle mantenimiento o repararlo, ni haga ningún ajuste al calentador en el sistema de combustible de gas propano.
- Una prueba olfativa periódica en las proximidades del calentador o en las conexiones del calentador, por ejemplo, en la manguera, los acoples, etc, es una buena costumbre en todo momento. Si huele la más mínima cantidad de gas, PÓNGASE EN CONTACTO CON SU PROVEEDOR DE GAS INMEDIATAMENTE. ¡NO ESPERE!

1. INFORMACIÓN GENERAL

- A. El Mr. Heater MH15C es un equipo de propano a alta presión diseñado para conectarse a un cilindro desechable de propano de 400 a 465 gramos (14,1 a 16,4 onzas). Todas las unidades se someten a prueba durante la fabricación y se distribuyen completamente ensambladas, excepto por la base de alambre.
- B. Estos calentadores están equipados con una llave de paso de seguridad automática. El flujo de gas se detendrá automáticamente si el calentador deja de funcionar por cualquier motivo.
- C. El Regulador/Válvula de control Hi-Med-Lo-Off (Alto-Medio-Bajo-Apagado) le proporciona máxima seguridad y comodidad. La siguiente tabla muestra una relación del consumo aproximado de BTUs y la cantidad de horas de duración que razonablemente puede esperar de un cilindro de propano completo.

Posición de la válvula	Potencia en BTU	Cilindro de 400 g (14,1 onzas)	Cilindro de 465 g (14,1 onzas)
Hi (alto)	15,000	1,3 horas	,5 horas
Med (medio)	12,000	1,6 horas	1,8 horas
Lo (bajo)	10,000	1,9 horas	2,2 horas

Figura 3

2. PARA UN FUNCIONAMIENTO SEGURO

- A. LEA CUIDADOSAMENTE LAS INSTRUCCIONES:** Lea y siga las siguientes instrucciones. No permita que nadie **que no haya leído** las instrucciones arme, encienda, ajuste o use el calentador.

⚠️ ADVERTENCIA
MANTENGA EL CALENTADOR FUERA DEL ALCANCE DE LOS NIÑOS

- B. EL PROPANO ES MUY INFLAMABLE:** De producirse una fuga, el propano se acumulará y podría desatarse un incendio. El gas propano tiene un olor característico fuerte que puede ser detectado fácilmente. Nunca encienda fósforos ni ningún tipo de llama, ni provoque una chispa eléctrica en un recinto donde haya olor a gas propano. Ventile el área a fondo, saque el calentador al exterior, encuentre y repare la fuente de la fuga antes de encender cualquier electrodoméstico. Si no está seguro de estas instrucciones desaloje el área inmediatamente y pida ayuda.
- C. FUGAS DE GAS:** Si no puede reparar la fuga, no realice ajustes al calentador, siga las instrucciones de apagado y devuelva el calentador al distribuidor o a la dirección que aparece en la última página.

⚠️ ADVERTENCIA
NO ALMACENE LOS CILINDROS DE PROPANO CERCA DE LLAMAS EXPUESTAS NI DE FUENTES DE CALOR.

- D. DETECCIÓN DE FUGAS:** Antes de utilizar el calentador, revise siempre todos los conductos y conexiones utilizando agua jabonosa para asegurarse de que no haya fugas. **NUNCA, NUNCA** UTILICE NINGÚN TIPO DE LLAMA PARA LA COMPROBACIÓN DE FUGAS.
- E. CONEXIÓN DEL CALENTADOR AL CILINDRO DE PROPANO:** Siempre conecte el calentador al cilindro al aire libre, o en un área bien ventilada. **NUNCA** conecte este calentador al cilindro cerca de una llama expuesta.
- F. USO DEL CALENTADOR:** Utilice siempre el calentador con el cilindro de propano en posición vertical en una superficie nivelada no combustible. **NUNCA** coloque el cilindro de lado al utilizar el calentador. En la posición para cocinar, el cilindro debe estar a 30 grados de la horizontal.
- G. SUPERVISIÓN DEL CALENTADOR:** No deje el calentador desatendido mientras está funcionando.
- H. SIEMPRE ENCIENDA EL CALENTADOR CON UN FÓSFORO** o con un encendedor "Sparklite".
- I. NO MODIFICAR:** Si el calentador no funciona correctamente, si por ejemplo calienta poco o no calienta en la posición "Hi" (Alto), o por cualquier otra razón, **NO INTENTE REPARARLO NI HACERLE MODIFICACIÓN ALGUNA.** Cualquier modificación podría hacer que el uso del calentador se torne riesgoso o peligroso. Devuelva el calentador al distribuidor o a la dirección que aparece en la última página para reparación o para cambiarlo por otro.

- J. ALMACENAMIENTO:** La válvula de regulación Hi-Med-Lo-Off (Alto-Medio-Bajo-Apagado) del calentador siempre debe encontrarse en la posición de "Off" (apagado) cuando no esté utilizando el calentador. Déjelo enfriar por al menos 15 minutos antes de manipularlo y guardarlo. Desconecte el cilindro de propano del calentador antes de guardarlo. NO guarde los cilindros de propano cerca de llamas expuestas o fuentes de calor.
- K. NO TRANSPORTE NI MUEVA EL ARTEFACTO MIENTRAS ESTÉ FUNCIONADO NI CUANDO ESTÉ CONECTADO EL CALENTADOR. SIGA LAS INSTRUCCIONES DE APAGADO Y ALMACENAMIENTO PARA TRANSPORTAR O MOVER ESTE ARTEFACTO.**

3. VENTILACIÓN

- A. ADVERTENCIA:** Este calentador es un artefacto sin ventilación y **DEBE** usarse **ÚNICAMENTE** en un área bien ventilada. **NUNCA** intente usar el calentador dentro de un vehículo, camper o lugar cerrado.
- B. PARA USO AL AIRE LIBRE SOLAMENTE.** Todo proceso de combustión requiere y consume oxígeno, y produce monóxido de carbono.
- C. ADVERTENCIA:** proporcione buena ventilación. Este calentador consume aire (oxígeno). No use este calentador en lugares sin ventilación para evitar poner su vida en peligro. Proporcione ventilación adicional por cada artefacto a combustible y ocupantes adicionales.

4. DISTANCIA MÍNIMA DE MATERIALES COMBUSTIBLES

- A.** Al usar el calentador, sus superficies se calientan mucho. Mantenga las bolsas de dormir, la ropa y los materiales combustibles lejos del calentador, por lo menos a la distancia indicada en la figura 4.
- B.** ADVERTENCIA: Para evitar heridas o daños materiales, nunca permita que haya ropa, carpas o cualquier otro material combustible a menos de 76 cm. (30") del calentador. Este calentador debe ubicarse por lo menos a 61 cm. (24") por encima del piso cuando se use. Nunca use el calentador mientras duerme.
- C.** ADVERTENCIA: Nunca apunte la salida del calentador hacia un tanque de propano que esté a menos de 6 m. (20 pies).

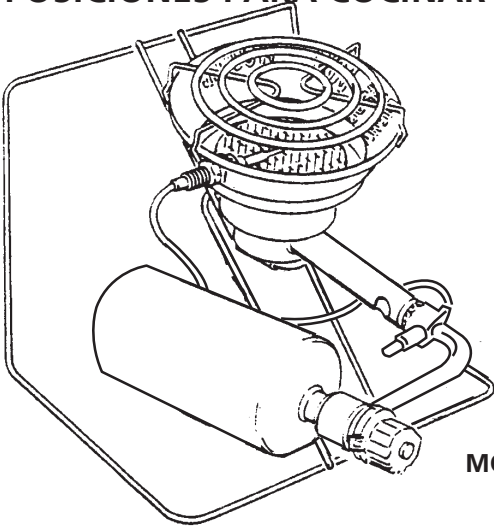
Potencia BTU/HR.		POSICIÓN NORMAL DE TRABAJO	DISTANCIA A COMBUSTIBLES				
No. DE MODELO	GAS PROPANO		DE LÍNEA CENTRAL DEL CAL. AL SUELO	LADOS	ATRÁS	TECHO	FRENTE
MH15C	15,000	Vertical 61 cm y horizontal	76 cm (24")	76 cm (30")	91 cm (30")	91 cm (36")	(36")

Figura 4

5. PROCEDIMIENTO DE ENSAMBLAJE

- A.** Verifique que la perilla del regulador del calentador esté en "apagado" girándola hasta la posición "OFF" (apagado).
- B.** Atornille cuidadosamente el cilindro ajustándolo con la mano a la toma de entrada del regulador. Asegúrese de que el cilindro de gas esté en posición vertical.
- C.** Asegúrese de que el calentador esté firmemente afianzado a la base de metal. (Ver Figuras 1).

POSICIONES PARA COCINAR



MODELO MH15C

6. INSTRUCCIONES DE ENCENDIDO

- A. Antes de encender el calentador, verifique todos los acoples y conexiones con una solución de agua jabonosa. NUNCA UTILICE FÓSFOROS PARA DETECTAR FUGAS. Si encuentra una fuga de gas, no intente reparar o usar el calentador. Devuelva el calentador al distribuidor o a la dirección que aparece en la última página.
- B. Combustible – este calentador debe utilizarse con cilindros de combustible de propano como se indica en los párrafos 1.4 y 1.5 de la página 2.

⚠ ADVERTENCIA

UTILICE SOLAMENTE GAS PROPANO HD.5. NO UTILICE NINGÚN OTRO TIPO DE COMBUSTIBLE. CONTACTE A SU DISTRIBUIDOR DE PROPANO SI TIENE ALGUNA PREGUNTA SOBRE EL COMBUSTIBLE.

- C. Ajuste el botón del regulador “Hi-Med-Lo-Off” a la posición de “Med” (en sentido contrario a las manecillas del reloj).
- D. Para encender el MH15C, coloque un fósforo encendido sobre

la rejilla protectora donde aparece la indicación “Light here” (encender aquí) en el reflector. (Ver Fig. 5) A CONTINUACIÓN presione el botón de la válvula en la llave de paso de seguridad. Una vez encendido el calentador, mantenga presionado el botón de la válvula durante 30 segundos, luego libérela lentamente. **CUIDADO:** NO PRESIONE EL BOTÓN DE LA VÁLVULA ANTES DE INSERTAR EL FÓSFORO ENCENDIDO.

- E. Si el calentador no se enciende transcurridos 30 segundos, lleve el botón de regulación del calentador a la posición de “Off” (apagado) (a favor de las manecillas del reloj) y deje disipar el gas durante al menos 5 minutos antes de volver intentar encenderlo.
- F. NOTA: Si se atasca el orificio, lo que podría notar si hay un bajo volumen de gas mientras el equipo funciona en “Hi” (Alto) con un cilindro lleno, o si el calentador dejara de funcionar correctamente por cualquier razón, devuelva el calentador al distribuidor o a la dirección que aparece en la última página para reparación o para cambiarlo por uno nuevo. NO INTENTE REPARAR O HACER AJUSTES AL CALENTADOR.
- G. Ajuste el nivel de calor llevando el botón a la posición deseada.

7. INSTRUCCIONES DE APAGADO Y ALMACENAMIENTO

- A. La llave SIEMPRE debe estar bien cerrada en la posición de “OFF” (apagado) cuando el calentador no está funcionando.
- B. Para apagar el calentador, lleve el botón de regulación del calentador a la posición de “OFF” (apagado) (en sentido horario). (Ver Figuras 5).
- C. CUIDADO: Después de apagar la unidad, el calentador permanecerá extremadamente caliente. Déjelo enfriar por al menos 15 minutos antes de manipularlo y guardarlo. Desconecte el calentador del cilindro antes de manipularlo y guardarlo.
- D. ALMACENAMIENTO DEL CALENTADOR: Siempre retire el cilindro de propano del calentador cuando no lo esté utilizando. Guarde siempre los cilindros de propano en un lugar fresco, bien ventilado, lejos de cualquier llama o fuente de calor y en un local no habitado. NO GUARDE LOS CILINDROS DE PROPANO A MENOS DE 18 METROS (60 PIES) DE DISTANCIA DE LLAMAS EXPUESTAS O FUENTES DE CALOR.
- E. Ver Figura 6 para conocer la lista de partes de repuesto.

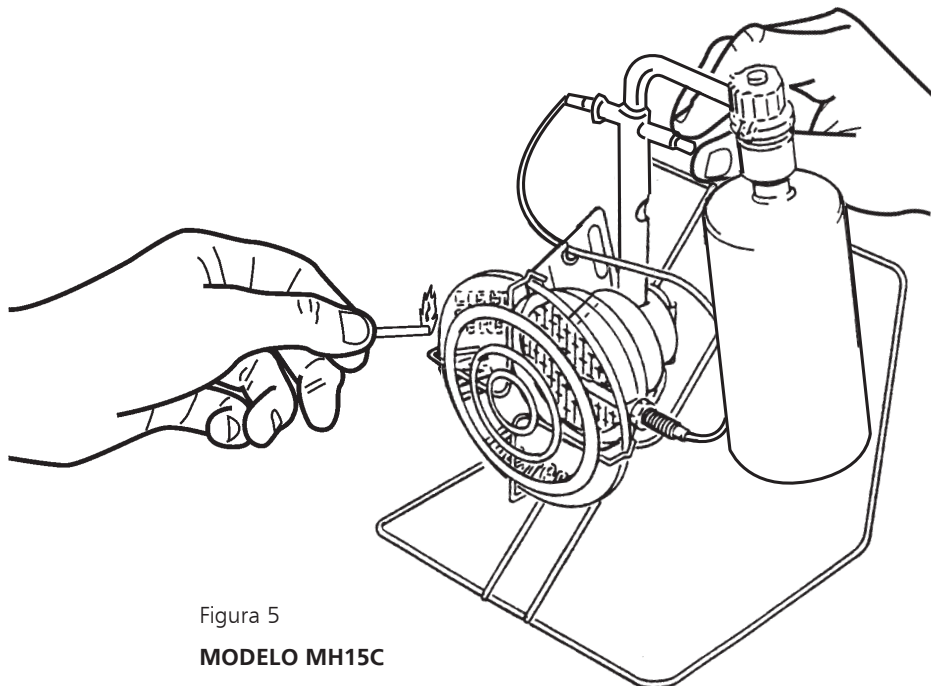


Figura 5

MODELO MH15C



INSTRUCCIONES DE USO Y MANUAL DE USUARIO

Modelo #

MH15C



ADVERTENCIA:

USE SOLAMENTE PARTES DE REEMPLAZO DEL FABRICANTE. EL USO DE CUALQUIER OTRA PARTE PODRÍA CAUSAR HERIDAS O LA MUERTE. LAS PARTES DE REEMPLAZO ESTÁN DISPONIBLES ÚNICAMENTE EN LA FÁBRICA Y DEBEN SER INSTALADAS POR UNA AGENCIA DE SERVICIO CALIFICADA.

INFORMACIÓN PARA ORDENAR PARTES:

COMPRAS: Puede comprar accesorios en cualquier distribuidor local de Mr. Heater o directamente de la fábrica.

POR INFORMACIÓN ACERCA DE REPARACIONES

Llame sin cargo al 800-251-0001
www.mrheater.com

Nuestro horario de trabajo es de 8:00 AM a 5:00 PM hora del Este, de lunes a viernes.

Por favor, incluya el número de modelo, la fecha de compra y la descripción del problema en todas sus comunicaciones.

GARANTÍA LIMITADA

Mr. Heater, Inc. garantiza la calidad material y la factura de sus calentadores y sus accesorios por un período de 1 año a partir de la fecha de compra. Mr. Heater, Inc. reparará o reemplazará este producto sin cargo si presentara desperfectos dentro del primer año tras realizada la compra, siempre y cuando el cliente costee la devolución y presente el comprobante de compra a Mr. Heater dentro del período de garantía.

Mr. Heater Inc. se reserva el derecho de hacer cambios en cualquier momento, sin previo aviso, en los colores, especificaciones, accesorios, materiales y modelos.

REGISTRO DEL PRODUCTO: Gracias por su compra.
Inicie sesión en <http://www.egiregistration.com> para registrar su producto.

MR. HEATER, INC., 4560 W. 160TH ST., CLEVELAND, OHIO 44135 • 216-916-3000
Mr. Heater y Portable Buddy son marcas comerciales registradas de Enerco Group, Inc.
© 2015, Enerco/Mr. Heater. Todos los derechos reservados.