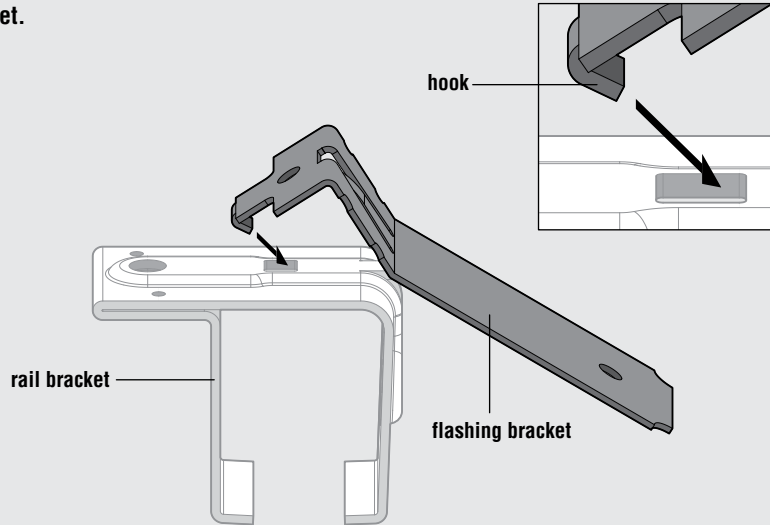
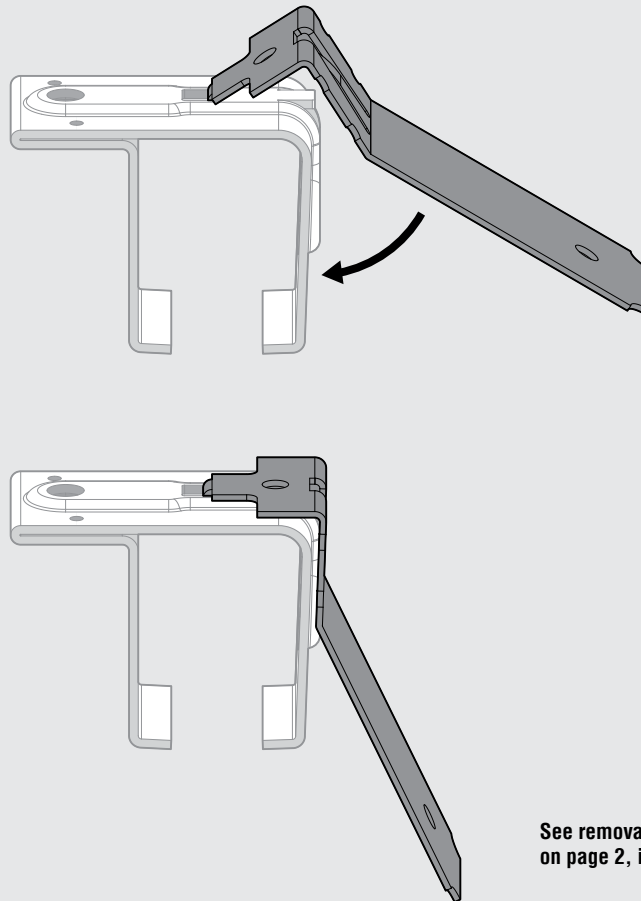


Bracket Installation

- 1** Insert the flashing bracket's hook into the square hole on the rail bracket.



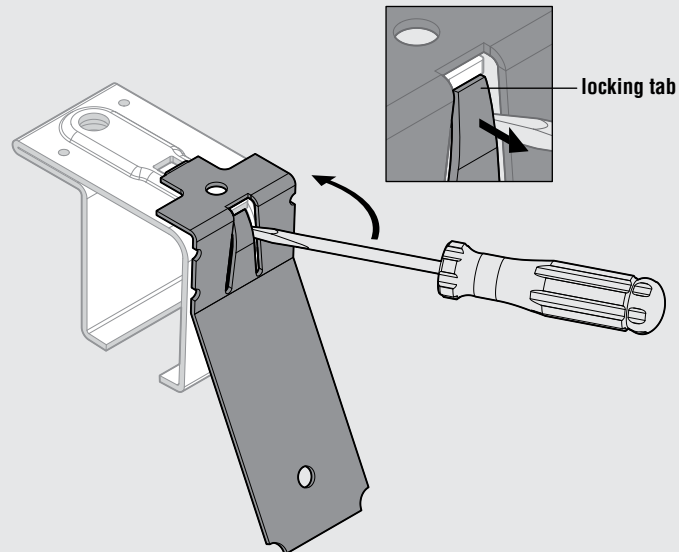
- 2** Push the flashing bracket down until it snaps into place.



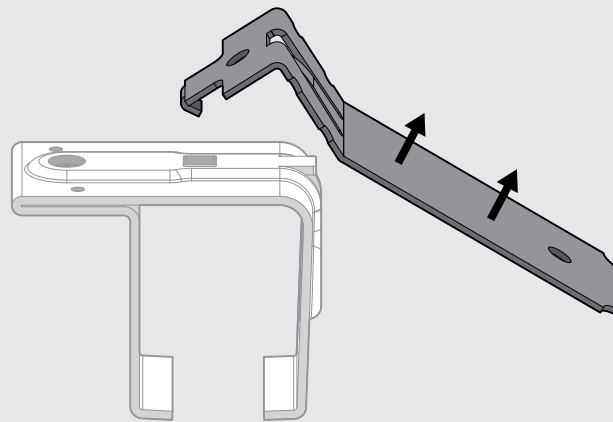
See removal instructions
on page 2, if needed.

Bracket Removal

- 1** Use a flathead screwdriver to gently pry the flashing bracket's locking tab from beneath the rail bracket.



- 2** Remove the flashing bracket.



- 3** If the flashing bracket will be installed again on a rail bracket, you may need to use a flathead screwdriver to bend the locking tab back to its original position.

