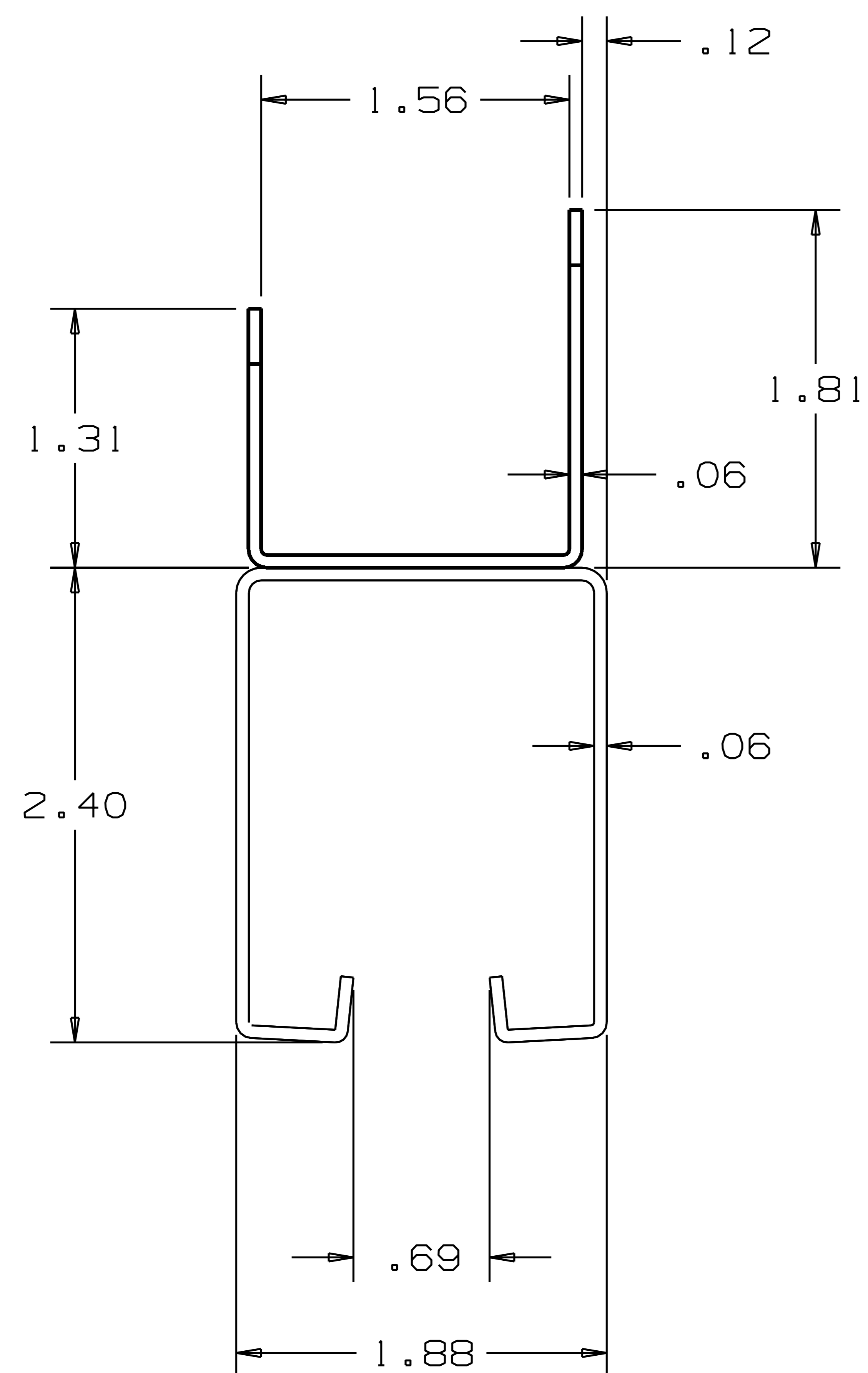


NOTE:
 BRACKET LOCATION TYPICAL AS SHOWN
 ABOVE. 6.00 FROM EACH END AND 24.00
 FOR ALL OTHERS.
 NUMBER OF BRACKETS VARIES WITH
 OVER ALL LENGTH.



TextDimensions shown are nominal and
 subject to change. For critical design
 specification, contact techinfo@natman.com
 ©2008 National Manufacturing Co.