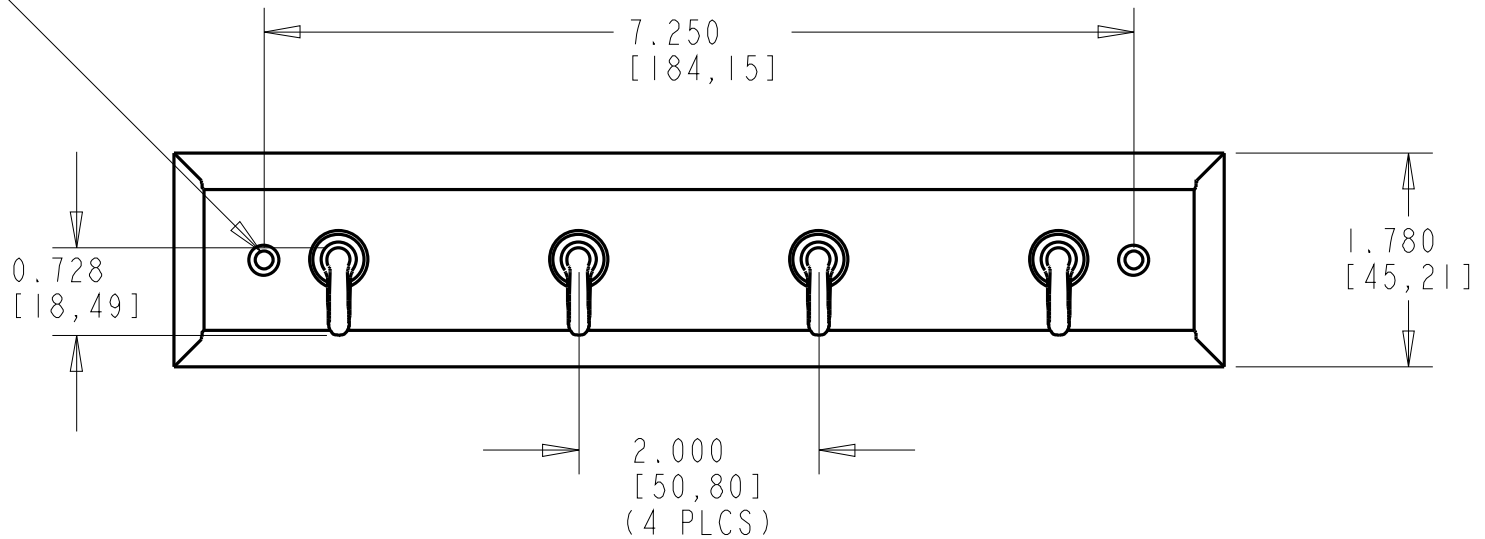


INCLUDES SCREWS TO MATCH FINISH



DRAWING NOT TO SCALE

DIMENSIONS IN INCHES AND [mm] SHOWN
ARE NOMINAL AND SUBJECT TO CHANGE.
FOR CRITICAL SPECIFICATIONS CONTACT
STANLEY CUSTOMER SUPPORT.
COPYRIGHT STANLEY HARDWARE, 2007

STANLEY[®]

*Home
Designs*[™]

KEYTIDY (8175)