

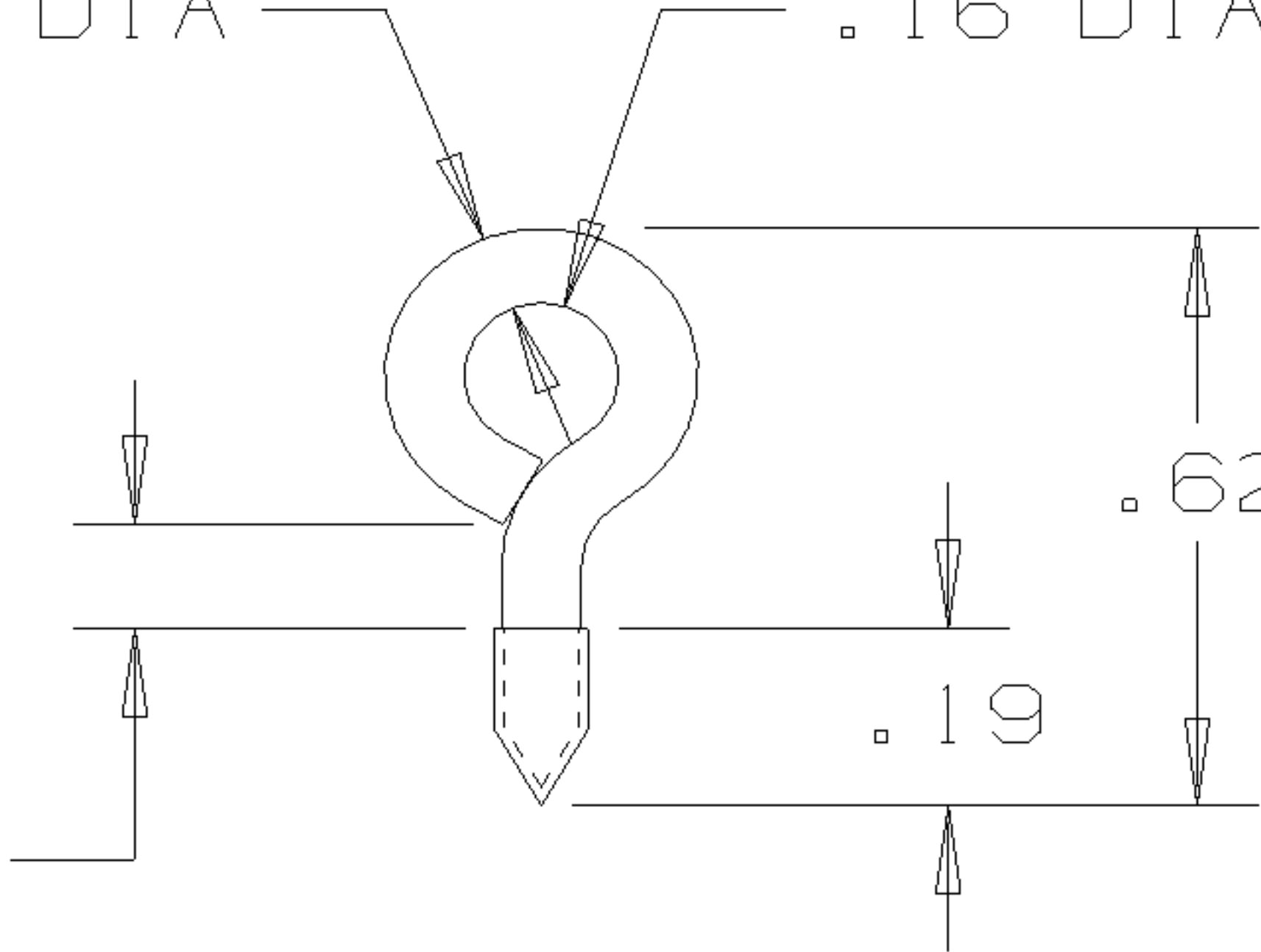
.08 DIA

.16 DIA

.11

.62

.19



Dimensions shown are nominal and subject to change. For critical design specification, contact techinfo@natman.com
©2000 National Manufacturing Co.