

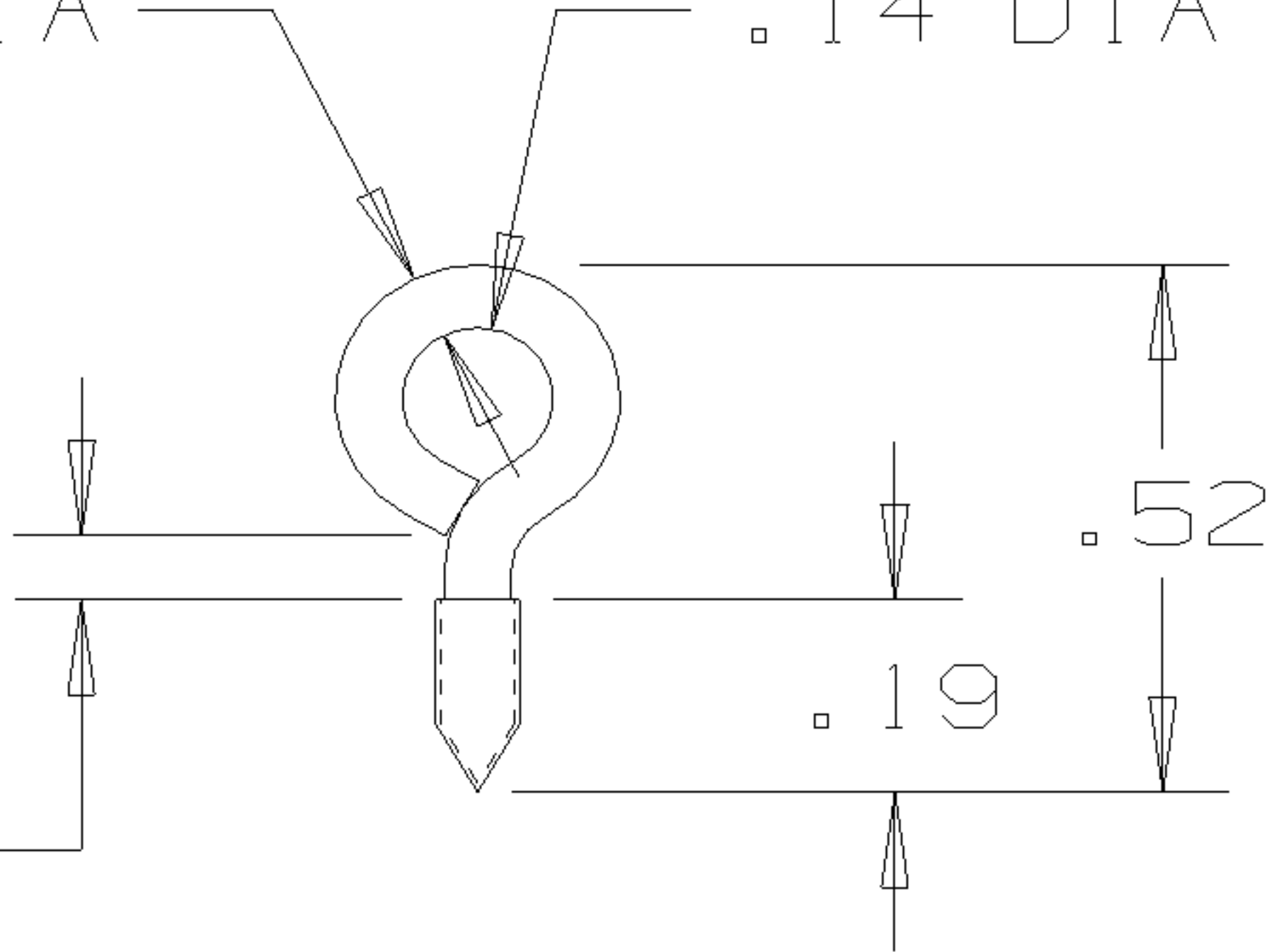
.06 DIA

.14 DIA

.06

.52

.19



Dimensions shown are nominal and subject to change. For critical design specification, contact [techinfo@natman.com](mailto:techinfo@natman.com)  
©2000 National Manufacturing Co.