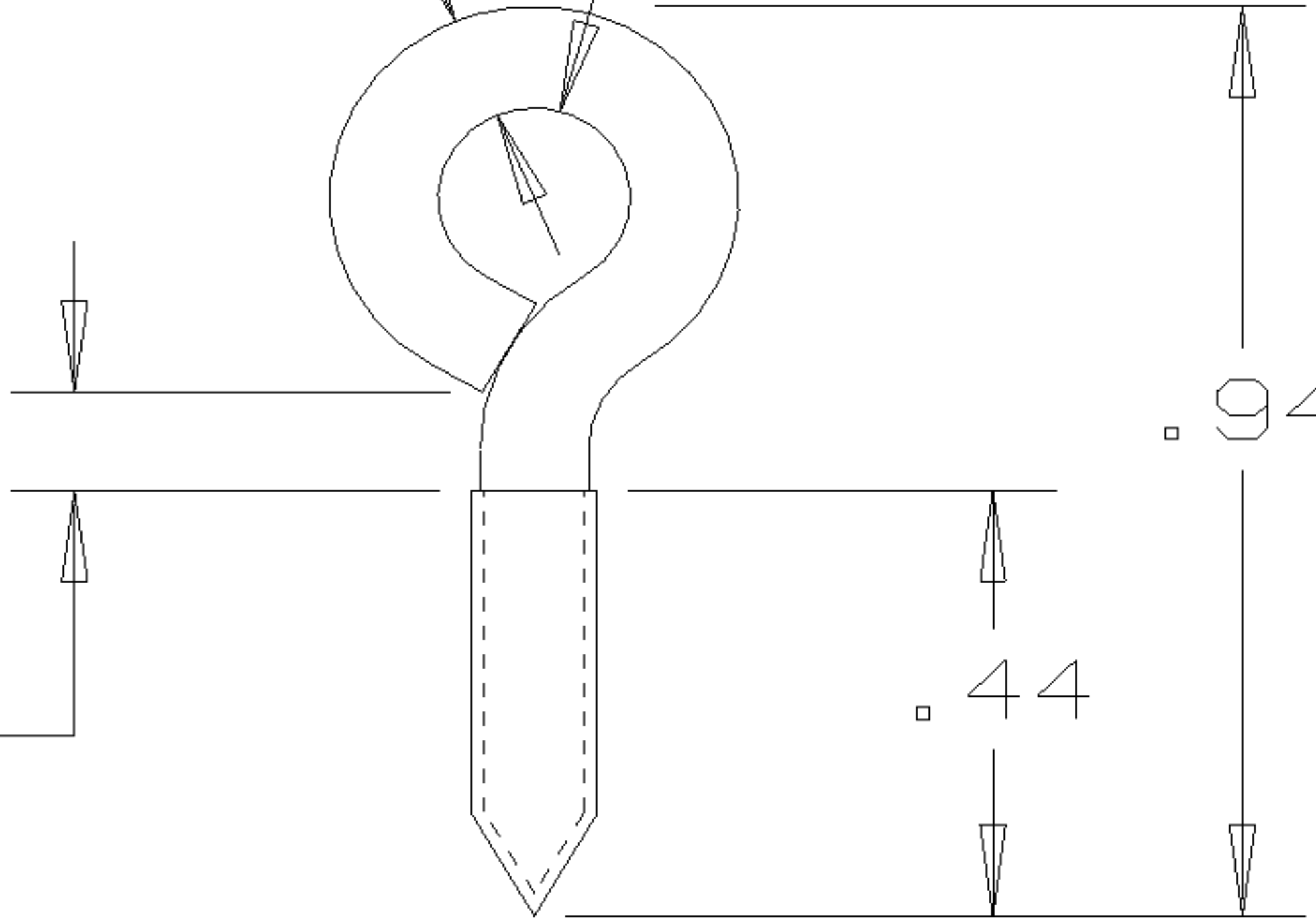


□ 10 DIA

□ .19 DIA



□ .94

□ .44

□ 10

Dimensions shown are nominal and subject to change. For critical design specification, contact techinfo@natman.com
©2000 National Manufacturing Co.