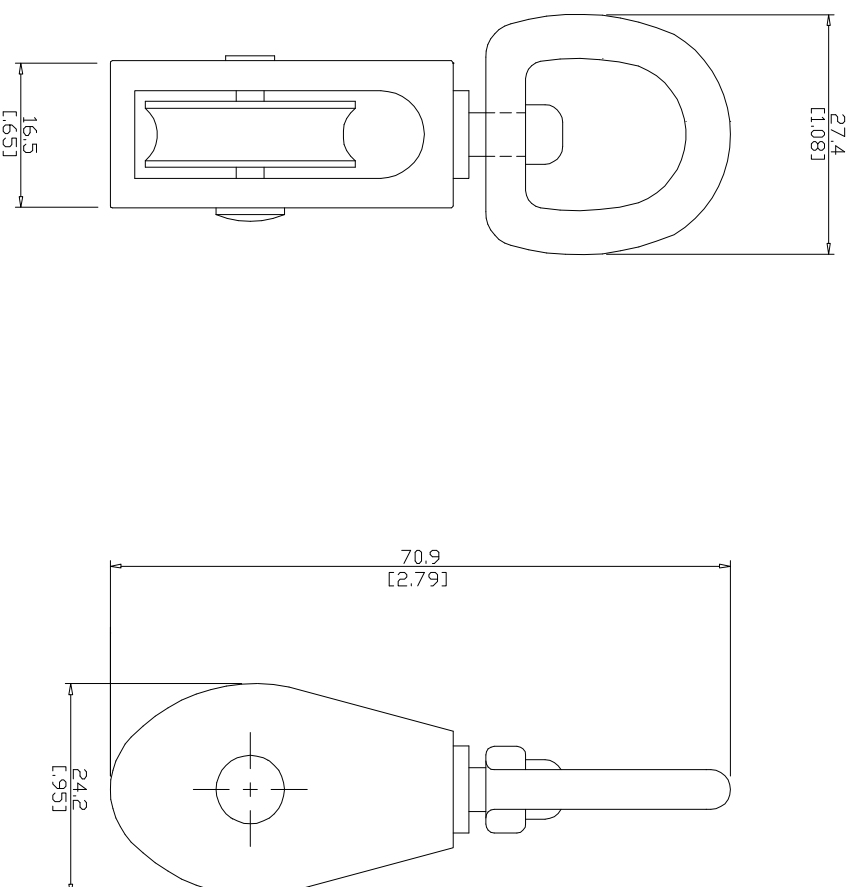


3201BC



SAFE WORKING LOAD (SWL) 160 LB (73KG)
DIMENSIONS IN [MM] SHOWN ARE NOMINAL
AND SUBJECT TO CHANGE FOR CRITICAL
SPECIFICATIONS CONTACT STANLEY/NATIONAL
CUSTOMER SUPPORTCOPYRIGHT
STANLEY/NATIONAL HARDWARE 2007

ALL DIMENSIONS FOR REFERENCE ONEY

3201BC 1 SGL PULLEY SE NIC